

# Proven products for demanding applications.

For more information, visit [eaton.com/electronics](http://eaton.com/electronics)



**EATON**

*Powering Business Worldwide*

Eaton's quality products support a broad range of electronic and electrical OEM applications. Our product line offers a comprehensive selection of terminal block products, including:

- North American-style single row terminal blocks
- European-style terminal blocks — PCB mount (spring, cage, tiered, high current), screwless, and pluggable
- Edge connectors — vertical and right angle mount

## Terminal Blocks

### Single Row

Series	Centers	Page
A5000 and CB5000	0.250"	3-4
A1000 and CB1000	0.325"	5-7
A2000, LP2000 and CB2000	0.375"	8-13
A3000, LP3000 and CB3000	0.437"	14-20
A38/B38	0.437"	21-22
A4000 and B4000	0.562"	23-24
All Series Accessories		25-26

### EuroMag Series PCB Mount Terminal Blocks

Series	Centers/Type	Page
EM3123	3.50mm	29
EM2665	5.00mm	30
EM3660	5.00mm	31
EM3665	5.00mm	32
EM3675	5.00mm	33
EM3127	7.50mm	34
EM2661	10.00mm	35
EM3661	10.00mm	36
EM3671	10.00mm	37
EM3923	3.50mm	38
EM3503	3.81mm	39
EM2585	5.00mm	40
EM3225	5.00mm, 35°	41
EM2205	5.00mm, 45°	42
EM2505	5.08mm	43
EM3228	5.08mm, 35°	44
EM2507	7.50mm	45
EM3227	7.50mm, 35°	46
EM2506	7.62mm	47
EM3226	7.62mm, 35°	48
EM2403	9.52mm	49
EM2803	9.52mm, 35°	50
EM2445	5.00mm	51
EM2448	5.08mm	52
EM2855	6.35mm	53
EM2905	7.50mm	54
EM2908	7.62mm	55
EM9126	10.16mm	56
EM9127	15.00mm	57
EM9128	3.81mm, Two-Tier	58
EM2909	3.81mm, Three-Tier	59
EM2919	5.00mm, Two-Tier	60
EM2929	5.08mm, Two-Tier	61
EM2939	5.00mm, Three-Tier	62
EM3905	5.00mm, Two-Tier	63
EM3908	5.08mm, Three-Tier	64

### EuroMag Series PCB Mount Screwless Terminal Blocks

Series	Centers/Type	Page
EM2742	2.54mm	65
EM2783	3.50mm, 45°	66
EM2802	2.54mm, 30°	67
EM2785	5.00mm, 45°	68
EM2778	5.08mm	69
EM2795	5.08mm	70
EM2796	7.62mm	71
EM2791	10.16mm	72
EM2816	7.62mm, 60°	73

Eaton's Connector products have an array of options that can be configured into a multitude of unique solutions. Customers can choose from a variety of pole lengths (# of terminals), fastener options, quick connect options, jumpers, markings, covers, etc. to optimize the connector solution for specific applications. Bussmann solutions are found in a variety of demanding applications, including:

- Industrial and environmental controls
- Instrumentation
- Security and alarm systems
- Traffic signals and controls
- HVAC systems
- Telecom
- Process Logic Control (PLC)
- Test and measurement
- Power supplies
- Elevators and conveyors
- Appliances

### EuroMag Series PCB Mount Pluggable Terminal Blocks

Series	Centers/Type	Page
EM3533	3.50mm, Plug	74
EM2221	3.50mm, Header	75
EM2413	3.50mm, Plug	76
EM2201	3.50mm, Header	77
EM3553	3.81mm, Plug	78
EM3543	3.81mm, Plug	79
EM3583	3.81mm, IDC Plug	80
EM3593	3.81mm, Header	81
EM2423	3.81mm, Plug	82
EM2443	3.81mm, Plug	83
EM2211	3.81mm, Header	84
EM2525	5.00mm, Plug	85
EM2485	5.00mm, Plug	86
EM3105	5.00mm, Plug	87
EM2535	5.00mm, Header	88
EM2565	5.08mm, Plug	89
EM2488	5.08mm, Plug	90
EM3108	5.08mm, Plug	91
EM2575	5.08mm, Header	92
EM2115	5.00mm, Plug	93
EM3115	5.00mm, Plug	94
EM2215	5.08mm, Plug	95
EM2118	5.00mm, Header	96
EM3118	5.08mm, Plug	97

### EuroMag Series PCB Mount Pluggable Terminal Blocks

Series	Centers	Page
EM2218	5.08mm, Header	98
EM3516	7.62mm, Plug	99
EM3526	7.62mm, Header	100
EM2416	7.62mm, Plug	101
EM2426	7.62mm, Header	102
EM5015	5.00mm, Plug	103
EM5025	5.00mm, Header	104
EM5035	5.00mm, Plug	105
EM5045	5.00mm, Header	106

### Edge Connectors - One-Sided Boards

#### Vertical Mount

Series	Centers	Page
1384X	0.375"	108

#### Right Angle Mount

Series	Centers	Page
15104	0.375"	109

### Compliance References

110

## Series A5000 & Series CB5000

### Single Row Terminal Blocks

#### SPECIFICATIONS

- Rating:** 10A, 300V\*
- Center Spacing:** 0.250" (6.35mm)
- Wire Range:** #18-30 AWG Cu
- Screw Size:** #3-48 zinc-plated Phillips SEMS screws, wire-ready standard
- Torque Rating:** 4 lb-in.
- Distance Between Barriers:** 0.20" (5.08mm)
- Recommended PCB Hole Diameter:** 0.062" (1.57mm)
- Operating Temperature:** 105°C (221°F) max., -40°C (-40°F) min.
- Molded Material:** Black, UL Rated 94V0 Thermoplastic
- Breakdown Voltage:** 1600V rms
- Agency Information:** UL File E62622; CE Certified

\* Max. rating shown; some options may be rated lower – consult factory.

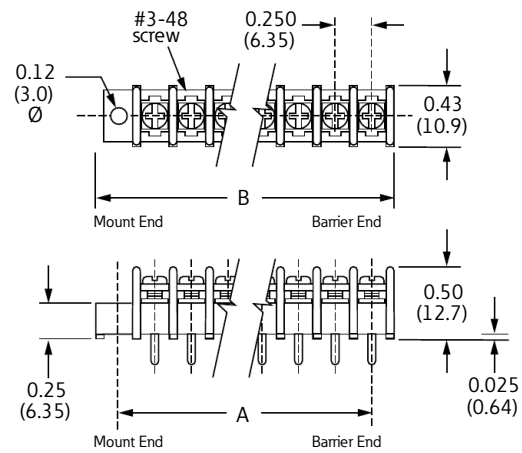


Poles	MOUNTING ENDS		BARRIER ENDS	
	A Mounting Centers	B Overall Length	A Pole Centers	B Overall Length
02	0.75	1.06	0.25	0.56
03	1.00	1.31	0.50	0.81
04	1.25	1.56	0.75	1.06
05	1.50	1.81	1.00	1.31
06	1.75	2.06	1.25	1.56
07	2.00	2.31	1.50	1.81
08	2.25	2.56	1.75	2.06
09	2.50	2.81	2.00	2.31
10	2.75	3.06	2.25	2.56
11	3.00	3.31	2.50	2.81
12	3.25	3.56	2.75	3.06
13	3.50	3.81	3.00	3.31
14	3.75	4.06	3.25	3.56
15	4.00	4.31	3.50	3.81
16	4.25	4.56	3.75	4.06
17	4.50	4.81	4.00	4.31
18	4.75	5.06	4.25	4.56
19	5.00	5.31	4.50	4.81
20	5.25	5.56	4.75	5.06
21	5.50	5.81	5.00	5.31
22	5.75	6.06	5.25	5.56
23	6.00	6.31	5.50	5.81
24	6.25	6.56	5.75	6.06
25	6.50	6.81	6.00	6.31
26	6.75	7.06	6.25	6.56
27	7.00	7.31	6.50	6.81
28	7.25	7.56	6.75	7.06
29	–	–	7.00	7.31
30	–	–	7.25	7.56

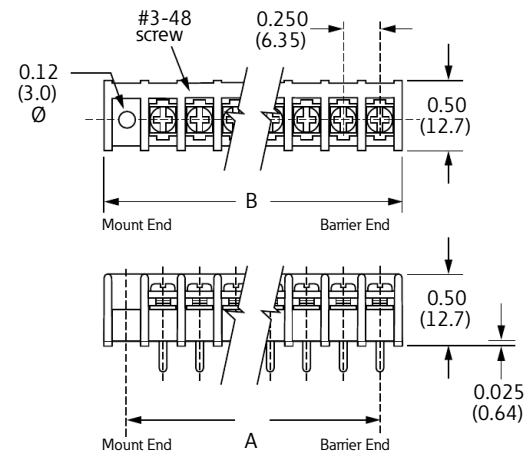
\* Dimensions in inches. To convert to millimeters, multiply by 25.4.

#### Dimensions - in (mm)

##### A5000 Series



##### CB5000 Series



Terminal Blocks:  
Single Row

EuroMag Series

Edge Connectors,  
One-Sided Boards

Compliance  
References

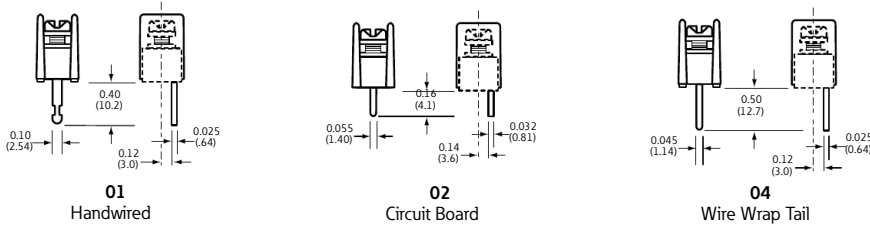
### Part Numbering System

Terminal Style	Base/End	Poles	Screw Options	Options
 <b>A5</b> - standard barrier <b>CB5</b> - closed back	 <b>01*</b> - handwired <b>02</b> - printed circuit <b>04</b> - wire wrap tail	 <b>1</b> - mount end <b>2</b> - barrier end	 <b>02 to 30</b> <b>02 to 28</b> on mount end base	 <b>07</b> - steel SEMS std. wire ready  <b>C1 to C8</b> - 0.110" QC <b>L1 to L6</b> marking options (pg 25) <b>MP</b> - mounting plate 0.120" dia <b>OJ**</b> - over barrier jumper **Contact factory for configuration

\*Only available with mount      end base style on A5 Series

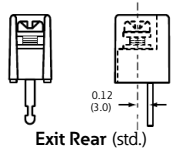
### Terminal Styles

Inches (Millimeters)



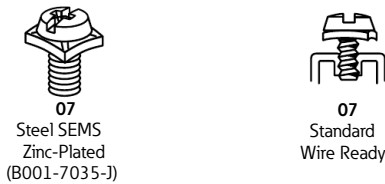
### CB5 Terminal Exit Options

Inches (Millimeters)



### Screw Options Wire ready screws standard on all terminal styles

(Bulk ordering part numbers are in parentheses)

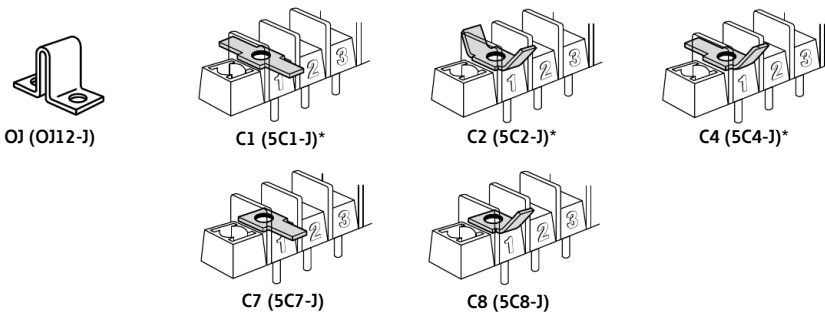


### Hardware Options (Bulk ordering part numbers are in parentheses)

Inches (Millimeters)

**Jumpers**

**Quick Connects** Blade Width 0.110" (For other orientations, contact factory.)



\* N/A on CB5 Series.

Terminal Blocks: Single Row

EuroMag Series

Edge Connectors, One-Sided Boards

Compliance References



## Series A1000 & Series CB1000 Single Row Terminal Blocks

### SPECIFICATIONS

**Rating:** 20A, 250V\*

**Center Spacing:** 0.325" (8.26mm)

**Wire Range:** #14-22 AWG Cu

**Screw Size:** #6-32 zinc-plated phillslot wire-ready screws with a #2 driving recess.

**Torque Rating:** 9 lb-in.

**Base:** Standoffs are standard on CB1000 Series for easy flux washing.

**Distance Between Barriers:** 0.26" (6.6mm)

**Recommended PCB Hole Diameter:** 0.070" (1.78mm)

**Operating Temperature:** 105°C (221°F) max., -40°C (-40°F) min.

**Molded Material:** Black, UL Rated 94V0 Thermoplastic

**Breakdown Voltage:** 1600V

**Agency Information:** UL/CSA; IEC Compliance; CE Certified; UL File: E62622, CSA File: 15364

\*General industrial applications



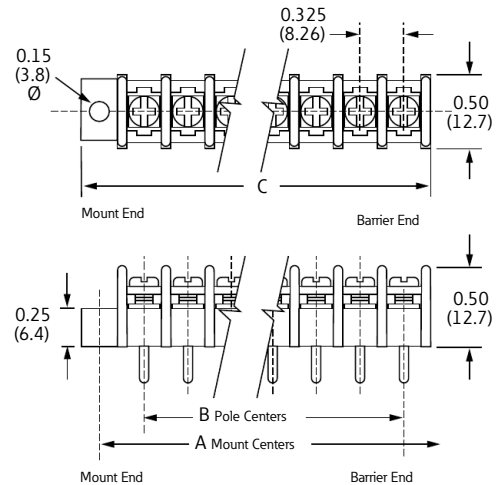
CB10210707



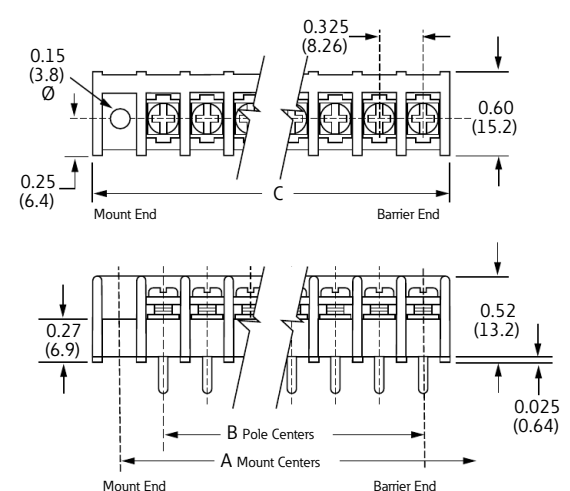
A102206

### Dimensions - in (mm)

#### A1000 Series



#### CB1000 Series



Poles	MOUNTING ENDS ONLY		BARRIER & MOUNTING ENDS B Pole Ctrs.	BARRIER ENDS ONLY C Length
	A Mount Ctrs.	C Length		
02	0.98	1.37	0.33	0.72
03	1.30	1.69	0.65	1.04
04	1.63	2.02	0.98	1.37
05	1.95	2.34	1.30	1.69
06	2.28	2.67	1.63	2.02
07	2.60	2.99	1.95	2.34
08	2.93	3.32	2.28	2.67
09	3.25	3.64	2.60	2.99
10	3.58	3.97	2.93	3.32
11	3.90	4.29	3.25	3.64
12	4.23	4.62	3.58	3.97
13	4.55	4.94	3.90	4.29
14	4.88	5.27	4.23	4.62
15	5.20	5.59	4.55	4.94
16	5.53	5.92	4.88	5.27
17	5.85	6.24	5.20	5.59
18	6.18	6.57	5.53	5.92
19	6.50	6.89	5.85	6.24
20	6.83	7.22	6.18	6.57
21	7.15	7.54	6.50	6.89
22	7.48	7.87	6.83	7.22
23	7.80	8.19	7.15	7.54
24	8.13	8.52	7.48	7.87
25	8.45	8.84	7.80	8.19
26	8.78	9.17	8.13	8.52
27	9.10	9.49	8.45	8.84
28	9.43	9.82	8.78	9.17
29	9.75	10.14	9.10	9.49
30	10.08	10.47	9.43	9.82
31	10.40	10.79	9.75	10.14
32	10.73	11.12	10.08	10.47
33	11.05	11.44	10.40	10.79
34	11.38	11.77	10.73	11.12
35	-	-	11.05	11.44
36	-	-	11.38	11.77

\* Dimensions in inches. To convert to millimeters, multiply by 25.4.

Terminal Blocks:  
Single Row

EuroFlag Series

Edge Connectors,  
One-Sided Boards

Compliance  
References

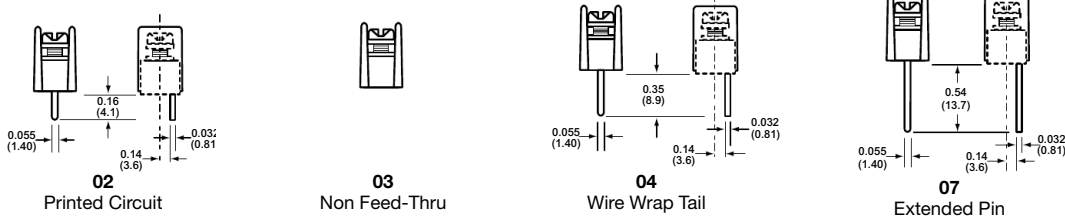
## Part Numbering System

Series	Terminal Style	Base/End	Poles	Screw Options	Options
<b>A1</b>					
<b>CB1</b>					
<b>A1</b> - standard barrier <b>CB1</b> - closed back	<b>02</b> - printed circuit <b>03*</b> - non feed-thru <b>04*</b> - wire wrap tail <b>07</b> - extended pin	<b>1</b> - mount end <b>2**</b> - barrier end	<b>02 to 36</b> <b>02 to 34</b> on mount end base	Blank - std. screws <b>03</b> - stainless steel <b>07</b> - steel SEMS & washer (not available with hardware options) <b>CA***</b> - standard captive screw	<b>DR</b> - angle mts. (A1 only-pg 7) <b>B1 to B9</b> - 0.187" QC (all positions) <b>EB</b> - exit back terminals on CB1 w/07 screw option only <b>L1 to L6</b> marking options (pg 25) <b>LT1 to LT6</b> marking options (CB1 only-pg 25) <b>MP &amp; MT</b> - mounting plates 0.150 dia (pg 7) <b>R26 &amp; R45</b> - right angle bends (A1 only-pg 7) <b>†JA, JB &amp; JC</b> - barrier jumpers
*A1 only **Not available with 03-non feed-thru terminal style ***Not compatible with 03-stainless steel screws †Contact factory for configuration					

Covers - (pg 26)

## Terminal Styles

Inches (Millimeters)



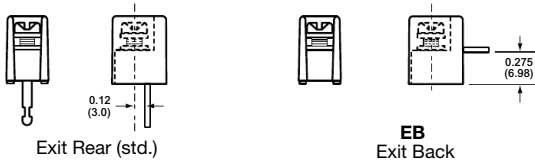
## Screw Options

Wire ready screws standard on all terminal styles (Bulk ordering part numbers are in parentheses)



## CB1 Terminal Exit Options

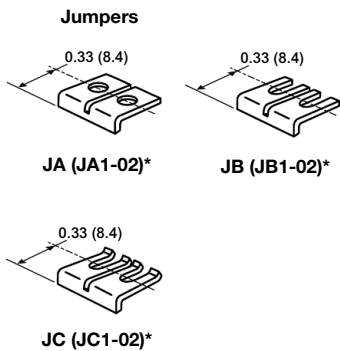
Inches (Millimeters)



## Hardware Options

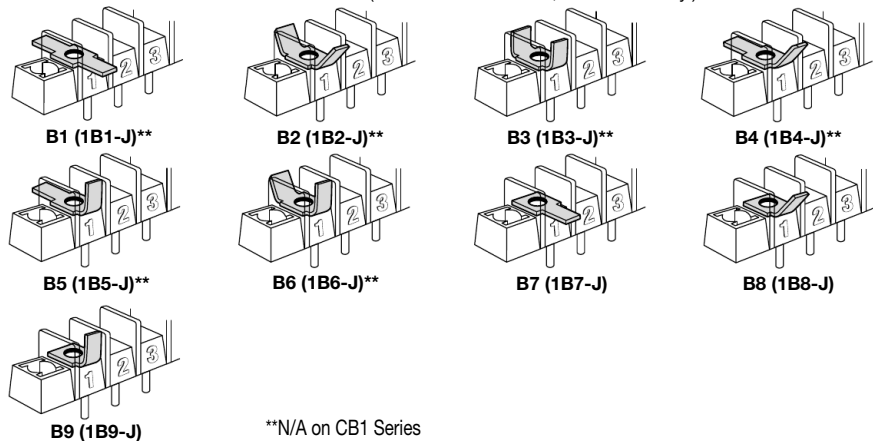
(Bulk ordering part numbers are in parentheses)

Inches (Millimeters)



## Quick Connects

Blade Width B = 0.187". (For other orientations, contact factory.)



\*Contact factory for configuration

\*\*N/A on CB1 Series

Terminal Blocks:  
Single Row

EuroMag Series

Edge Connectors,  
One-Sided Boards

Compliance  
References

**Series A1000 & CB1000**

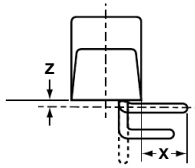
Single Row Terminal Blocks *Continued*

**Mounting Options**

Inches (Millimeters)

**Right Angle Bends (A1 only)**

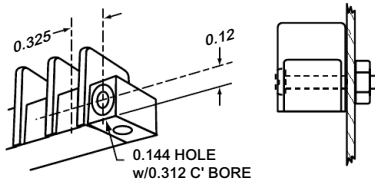
Right angle terminals are offered on the A1000 Series. Configurations are defined in these dimensions: X = pin extension beyond the block base; Z = length from block base to centerline of the terminal tip. Standard bends consist of the X and Z dimensions shown in the chart. Specify by adding the selected Bend Option Code to the terminal part number.



Bend Option Code	X	Z
<b>R26</b> (04 terminal only)	0.14 (3.5)	0.09 (2.3)
<b>R45</b> (07 terminal only)	0.33 (8.4)	0.09 (2.3)

Dimensions: in (mm)

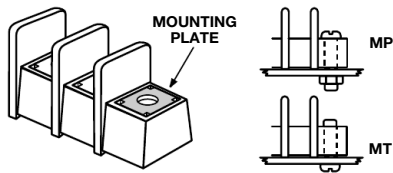
**Drilled Right Angle (A1 only)**  
(Dimensions in inches)



**Option DR**

Counterbored holes across mount ends of block enable fastening with two screws at right angles to normal mount position.

**Mounting Plates**



**Options MP & MT**

**MP** Metal inserts with 0.150" (3.8) dia. hole accept #6 screw. **MT** Metal inserts with tapped hole accept #6-32 screw.  
Bulk part numbers **1MP-J** & **1MT-J**.

## Series A2000, LP2000 & CB2000

### Single Row Terminal Blocks

#### SPECIFICATIONS

**Rating:** A2: 30A, 300V\*

LP2: 30A, 150V\*

CB2: 30A, 300V\*

**Center Spacing:** 0.375" or 3/8" (9.52mm)

**Wire Range:** #12-22 AWG Cu

**Screw Size:** #6-32 zinc-plated phillslot

**Torque Rating:** 9 lb-in.

**Base:** Standoffs standard for easy flux washing

**Distance Between Barriers:** 0.32" (8.1mm)

**Recommended PCB Hole Diameter:** 0.076" (1.93mm)

**Operating Temperature:** 105°C (221°F) max., -40°C (-40°F) min.

**Molded Material:** Black, UL Rated 94V0 Thermoplastic

**Breakdown Voltage:** 3400V (A2 & LP2); 4100V (CB2).

**Agency Information:** UL File E62622, CSA File 47235;

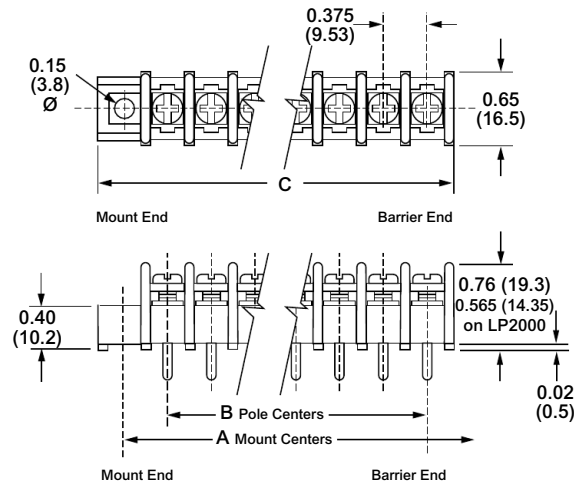
IEC Compliance; CE Certified

*\*30A Rating achieved with a #10 copper wire crimped to a ring terminal;  
20A Rating without ring terminal.*

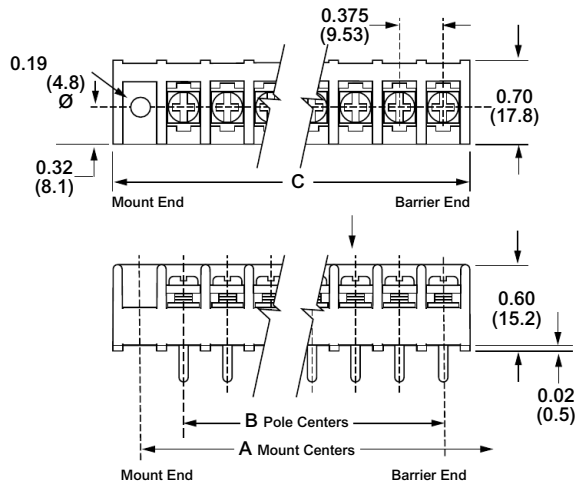


#### Dimensions - in (mm)

##### A2000 & LP2000 Series



##### CB2000 Series



Poles	MOUNTING ENDS ONLY		BARRIER & MOUNTING ENDS B Pole Ctrs.	BARRIER ENDS ONLY C Length
	A Mount Ctrs.	C Length		
02	1.13	1.56	0.38	0.81
03	1.50	1.93	0.75	1.18
04	1.88	2.30	1.13	1.56
05	2.25	2.68	1.50	1.93
06	2.63	3.06	1.88	2.31
07	3.00	3.43	2.25	2.68
08	3.38	3.81	2.63	3.06
09	3.75	4.18	3.00	3.43
10	4.13	4.56	3.38	3.81
11	4.50	4.93	3.75	4.18
12	4.88	5.31	4.13	4.56
13	5.25	5.69	4.50	4.93
14	5.63	6.06	4.88	5.31
15	6.00	6.43	5.25	5.68
16	6.38	6.81	5.63	6.06
17	6.75	7.18	6.00	6.43
18	7.13	7.56	6.38	6.81
19	7.50	7.93	6.75	7.18
20	7.88	8.31	7.13	7.56
21	8.25	8.68	7.50	7.93
22	8.63	9.06	7.88	8.31
23	9.00	9.43	8.25	8.68
24	9.38	9.81	8.63	9.06
25	9.75	10.18	9.00	9.43
26	10.13	10.56	9.38	9.81
27	10.50	10.93	9.75	10.18
28	10.88	11.31	10.13	10.55
29	11.25	11.68	10.50	10.93
30	11.63	12.05	10.88	11.31
31	-	-	11.25	11.68
32	-	-	11.63	12.05

\* Dimensions in inches. To convert to millimeters, multiply by 25.4.

Terminal Blocks:  
Single Row

EuroMag Series

Edge Connectors,  
One-Sided Boards

Compliance  
References

**Series A2000 & LP2000**  
Single Row Terminal Blocks

**Part Numbering System**

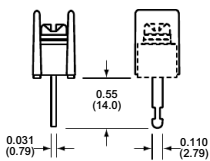
Series	Terminal Style	Base/End	Poles	Screw Options	Options
<b>A2</b>					
<b>LP2</b>					
<b>A2</b> - standard barrier <b>LP2</b> - low profile barrier	<b>01*</b> - handwired <b>02</b> - printed circuit <b>03</b> - non feed-thru <b>04</b> - wire wrap tail <b>06</b> - handwired <b>07</b> - extended pin <b>08</b> - printed circuit <b>09</b> - 0.250" QC short <b>10</b> - 0.187" QC <b>14</b> - printed circuit <b>19</b> - 0.250" QC long	<b>1</b> - std. base/mnt. end <b>2</b> - std. base/barrier end <b>3</b> - insulator base/mnt. end <b>4</b> - insulator base/barrier end <b>5</b> - closed base/mount end <b>6</b> - closed base/molded mount end	<b>02 to 32</b> <b>02 to 30</b> on mount end base	Blank - std. screw <b>00</b> - screws shipped bulk <b>03*</b> - stainless steel <b>04</b> - brass nickel-plated <b>07</b> - steel SEMS (not available with hardware options) <b>09*</b> - brass SEMS nickel-plated (not available with hardware options) <b>CA**</b> - captive screw <b>WR</b> - wire ready (not available on LP2 series)	<b>AB*</b> - angle mnt. options (pg 11) <b>A1 to A9</b> - 0.250" QC <b>B1 to B9</b> - 0.187" QC <b>DR*</b> - drilled right angle (pg 11) <b>L1 to L6</b> marking options (pg 25) <b>MP*</b> mounting plates (pg 11) <b>RC*</b> - retaining clips (pg 11) <b>R30 to R77</b> - right angle bends (pg 11) <b>S1*</b> - solder lug/flat <b>JA***, JB*** &amp; JC***</b> - barrier jumpers <b>OJ2*** &amp; OJ4***</b> - over barrier jumpers (not available w/covers) <b>Covers</b> - (pg 26)

Base/End Note: 6 style not available with covers. 5 & 6 Styles only available with 03 terminals.

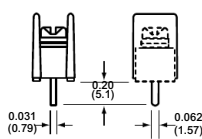
\*A2 only.  
 \*\*Not compatible with 03-stainless steel screws.  
 \*\*\*Contact factory for configuration.

**Terminal Styles**

Inches (Millimeters)



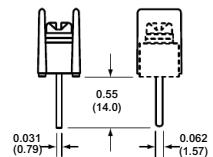
**01**  
Handwired



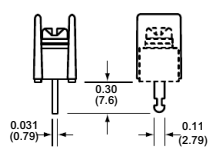
**02**  
Printed Circuit



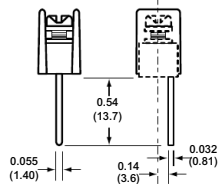
**03**  
Non Feed-Thru



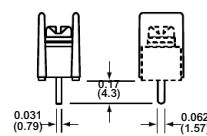
**04**  
Wire Wrap Tail



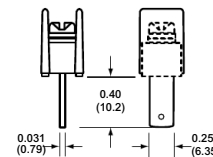
**06**  
Handwired



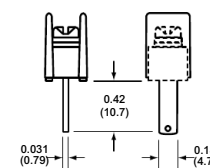
**07**  
Extended Pin



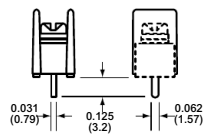
**08**  
Printed Circuit



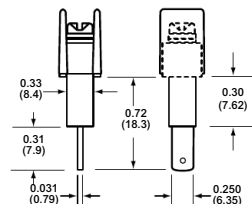
**09**  
0.250" QC short



**10**  
0.187" QC



**14**  
Printed Circuit



**19**  
0.250" QC long



**Series A2000 & LP2000**

Single Row Terminal Blocks *Continued*

**Screw Options** (Bulk ordering part numbers are in parentheses)



**Standard**  
Zinc-plated Steel  
(F505-J)



**03**  
Stainless Steel  
(F507-J)



**04**  
Brass  
Nickel-Plated  
(F506-J)



**07**  
Steel SEMS  
(F523-J)



**09**  
Brass SEMS  
Nickel-Plated  
(F524-J)

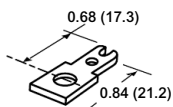


**WR**  
Wire Ready

**Hardware Options** (Bulk ordering part numbers are in parentheses)

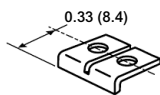
Inches (Millimeters)

**Solder Lugs**

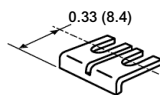


**S1**  
(2S1-J)

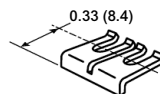
**Jumpers**



**tJA**  
(JA2-02-J)



**tJB**  
(JB2-02-J)



**tJC**  
(JC2-02-J)



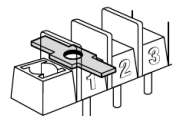
**tOJ2**  
(OJ2-J)



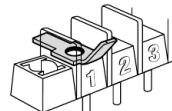
**tOJ4**  
(OJ4-J)

**Quick Connects**

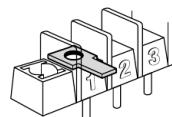
Blade Width A = 0.250" Blade Width B = 0.187"



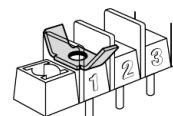
**A1 & B1**  
(2A1-J & 2B1-J)



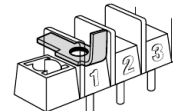
**A4 & B4**  
(2A4-J & 2B4-J)



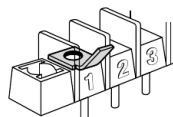
**A7 & B7**  
(2A7-J & 2B7-J)



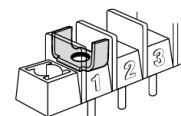
**A2 & B2**  
(2A2-J & 2B2-J)



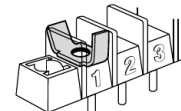
**A5 & B5**  
(2A5-J & 2B5-J)



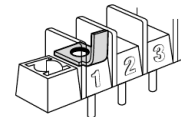
**A8 & B8**  
(2A8-J & 2B8-J)



**A3 & B3**  
(2A3-J & 2B3-J)



**A6 & B6**  
(2A6-J & 2B6-J)



**A9 & B9**  
(2A9-J & 2B9-J)

†Contact factory for configuration.

**Base/End Options**

Inches (Millimeters)



**1 - Standard base/mount end**



**3 - Insulator base/mount end**



**4 - Insulator base/barrier end**

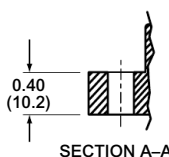
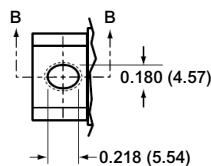


**5 - Closed base/mount end**

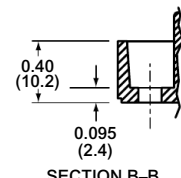
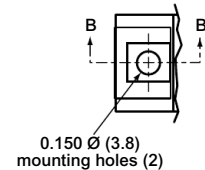


**6 - Closed base/molded mount end**

**Mount End Details**



**6**  
Molded Mount End



**1, 3 & 5**  
Mount End

Terminal Blocks:  
Single Row

EuroMag Series

Edge Connectors,  
One-Sided Boards

Compliance  
References

## Series A2000 & LP2000

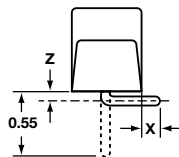
### Single Row Terminal Blocks *Continued*

#### Mounting Options

##### Right Angle Bends (A2, LP2 only)

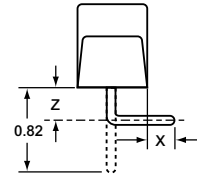
Right angle terminals are offered on the A2000 & LP2000 Series. Configurations are defined in these dimensions: X = pin extension beyond the block base; Z = length from block base to centerline of the terminal tip. Standard bends consist of the X and Z dimensions shown in the chart. Specify by adding the selected Bend Option Code to the terminal part number.

##### 04 Terminal Bend Configurations



Bend Option Code	X (minimum)	Z	Available w/insulator base
R30	0.04	0.28	No
R35	0.01	0.23	No
R36	0.02	0.22	No
R39	0.05	0.19	No
R42	0.08	0.16	No
R46	0.12	0.12	No
R48	0.14	0.10	No
R50	0.16	0.08	No

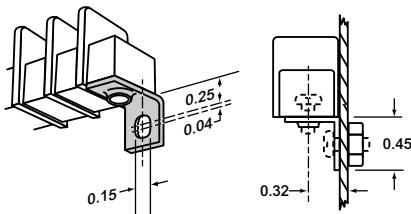
##### 07 Terminal Bend Configurations



Bend Option Code	X (minimum)	Z	Available w/insulator base
R30	0.04	0.55	Yes
R35	0.01	0.50	Yes
R36	0.02	0.49	Yes
R42	0.08	0.43	Yes
R46	0.12	0.39	Yes
R50	0.16	0.35	No
R53	0.19	0.32	No
R66	0.32	0.19	No
R69	0.35	0.16	No
R75	0.41	0.10	No
R77	0.43	0.08	No

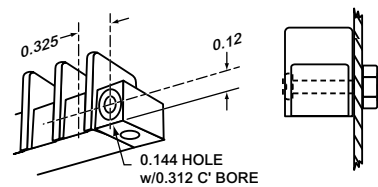
Dimensions in inches. To convert to millimeters, multiply by 25.4.

##### Angle Brackets (A2, LP2 only)



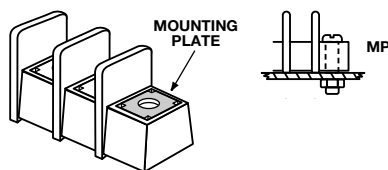
**Option AB**  
Angle brackets enable block to be fastened at right angles to normal mount position. Bulk part number **2AB-J**.

##### Drilled Right Angle (A2, LP2 only)



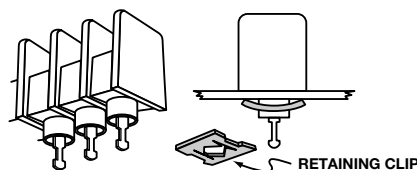
**Option DR**  
Counterbored holes across mount ends of block enable fastening with two screws at right angles to normal mount position.

##### Mounting Plates



**Option MP**  
Metal inserts with 0.150" dia. hole accept #6 screw. Bulk part number **2MP-J**.

##### Retaining Clip



**Option RC**  
Use on standoff tubes. Fit panels up to 0.125" thick. Two clips for every five positions. Supplied unassembled. Bulk part number **H541-J**.

**Series CB2000**

Single Row Terminal Blocks

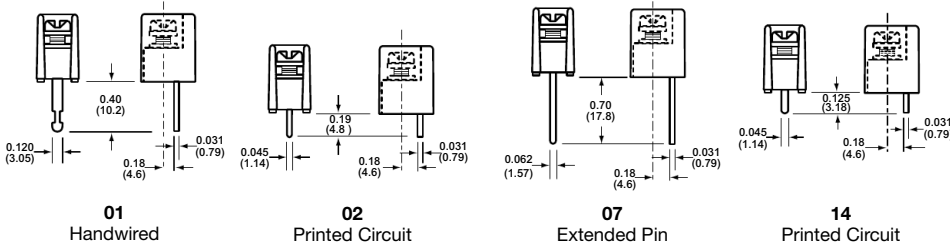
**Part Numbering System**

Series	Terminal Style	Base/End	Poles	Screws	Options
<b>CB2</b>					
<b>CB2</b> - closed back	<b>01</b> - handwired <b>02</b> - printed circuit <b>07</b> - extended pin <b>14</b> - printed circuit	<b>1</b> - mount end <b>2</b> - barrier end	<b>02 to 32</b> <b>02 to 30</b> on mount end base	<b>07</b> - steel SEMS standard <b>09</b> - brass SEMS nickel-plated <b>CA</b> - captive screw <b>07CA</b> - SEMS captive	<b>AB**</b> - angle mounting brackets (pg 13) <b>A7 to A9</b> - 0.250" QC <b>B7 to B9</b> - 0.187" QC <b>EB</b> - exit back terminals <b>EF</b> - exit front terminals <b>L1 to L6</b> marking options (pg 25) <b>LT1 to LT6</b> marking options (pg 25) <b>MP</b> mtg. plates (pg 13) <b>S1</b> - solder lug/flat <b>JA***, JB*** &amp; JC***</b> - barrier jumpers <b>OJ2*** &amp; OJ4***</b> - over barrier jumpers <b>Covers</b> - (pg 26)

\*\*Only available on 3-poles and up.  
 \*\*\*Contact factory for configuration.

**Terminal Styles**

Inches (Millimeters)



**Screw Options** (Bulk ordering part numbers are in parentheses)



**07**  
 Steel SEMS  
 zinc-plated  
**(B001-7084-J)**

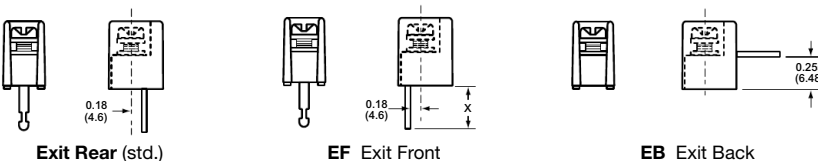


**09**  
 Brass SEMS  
 nickel-plated  
**(F524-J)**

\* NOTE: Wire ready screws standard on all terminal styles.

**CB2 Terminal Exit Options**

Inches (Millimeters)



**Series CB2000**  
Single Row Terminal Blocks

Terminal Blocks:  
Single Row

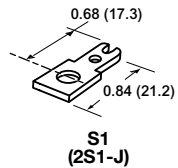
Eurolog Series

Edge Connectors,  
One-Sided Boards

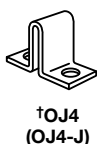
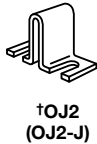
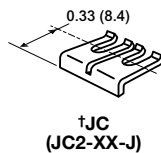
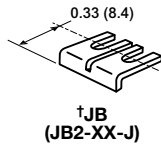
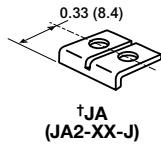
Compliance  
References

**Hardware Options** (Bulk ordering part numbers are in parentheses) Inches (Millimeters)

**Solder Lugs**

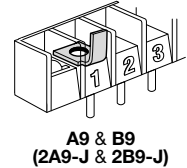
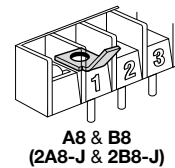
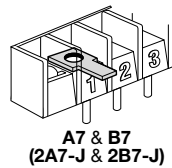


**Jumpers**



**Quick Connects**

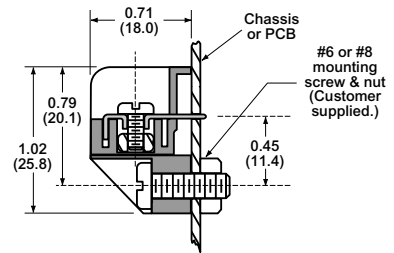
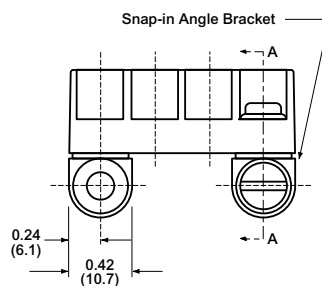
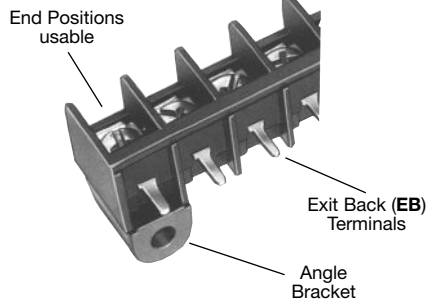
Blade Width A = 0.250". Blade Width B = 0.187".



†Contact factory for configuration.

**Mounting Options** Inches (Millimeters)

**Right Angle Mounting Bracket**

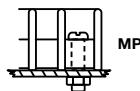
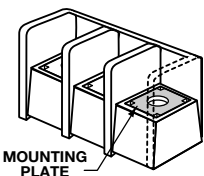


**Option AB**

**Mounts blocks on PC boards at a right angle.**

- Protects solder joints.
- Recommended for all EB (Exit Back) PCB terminal blocks.
- Bracket snaps securely on block (no hardware required).
- Minimum strip length (end positions are usable).
- Mount with #6-32 or #8-32 screws (not supplied).

**Mounting Plates**



**Option MP**  
**MP** Metal inserts with 0.150" dia. hole accept #6 screw.  
Bulk part number **2MP-J**.

### Series A3000, LP3000 & CB3000

#### Single Row Terminal Blocks

#### SPECIFICATIONS

**Rating:** A3: 30A, 600V\* #12-22 AWG

LP3: 30A, 150V #12-22 AWG

CB3: 30A, 600V #12-22 AWG

**Wire Range:** #12-22 AWG Cu

**Center Spacing:** 0.437" or 7/16" (11.10mm)

**Screw Size:** #6-32 zinc-plated phillips screws.

**Torque Rating:** 9 lb-in.

**Base:** Standoffs standard for easy flux washing.

**Distance Between Barriers:** 0.32" (8.1mm)

**Recommended PCB Hole Diameter:** 0.076" (1.93mm)

**Operating Temperature:** 105°C (221°F) max., -40°C (-40°F) min.

**Molded Material:** Black, UL Rated 94V0 Thermoplastic

**Breakdown Voltage:** 3500V (A3 & LP3); 8200V (CB3)

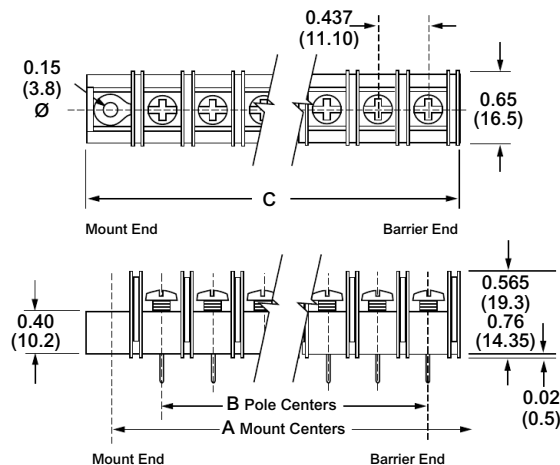
**Agency Information:** UL File E62622, CSA 47235;

IEC Compliance, CE Certified

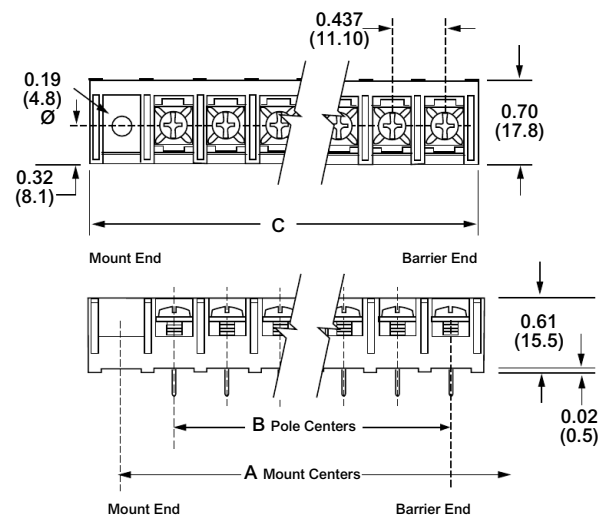


#### Dimensions - in (mm)

##### A3000 & LP3000 Series



##### CB3000 Series



\*30A Rating achieved with a #10 copper wire crimped to a ring terminal;  
20 Rating without ring terminal.

Poles	MOUNTING ENDS ONLY		BARRIER & MOUNTING ENDS B Pole Ctrs.	BARRIER ENDS ONLY C Length
	A Mount Ctrs.	C Length		
02	1.31	1.73	0.43	0.98
03	1.75	2.17	0.87	1.43
04	2.18	2.61	1.31	1.87
05	2.62	3.05	1.75	2.31
06	3.06	3.48	2.18	2.75
07	3.50	3.92	2.62	3.18
08	3.93	4.36	3.06	3.62
09	4.37	4.80	3.50	4.06
10	4.81	5.23	3.93	4.50
11	5.25	5.67	4.37	4.93
12	5.68	6.11	4.81	5.37
13	6.12	6.55	5.25	5.81
14	6.56	6.98	5.68	6.25
15	7.00	7.42	6.12	6.68
16	7.43	7.86	6.56	7.12
17	7.87	8.30	7.00	7.56
18	8.31	8.73	7.43	8.00
19	8.75	9.17	7.87	8.43
20	9.18	9.60	8.31	8.87
21	9.62	10.05	8.50	9.31
22	10.06	10.48	9.18	9.75
23	10.50	10.92	9.62	10.18
24	10.93	11.36	10.06	10.62
25	11.37	11.80	10.50	11.06
26	11.81	12.23	10.93	11.50
27	-	-	11.37	11.93
28	-	-	11.81	12.37

Dimensions in inches. To convert to millimeters, multiply by 25.4.

Terminal Blocks:  
Single Row

EuroMag Series

Edge Connectors,  
One-Sided Boards

Compliance  
References



**Series A3000**

Single Row Terminal Blocks

**Part Numbering System**

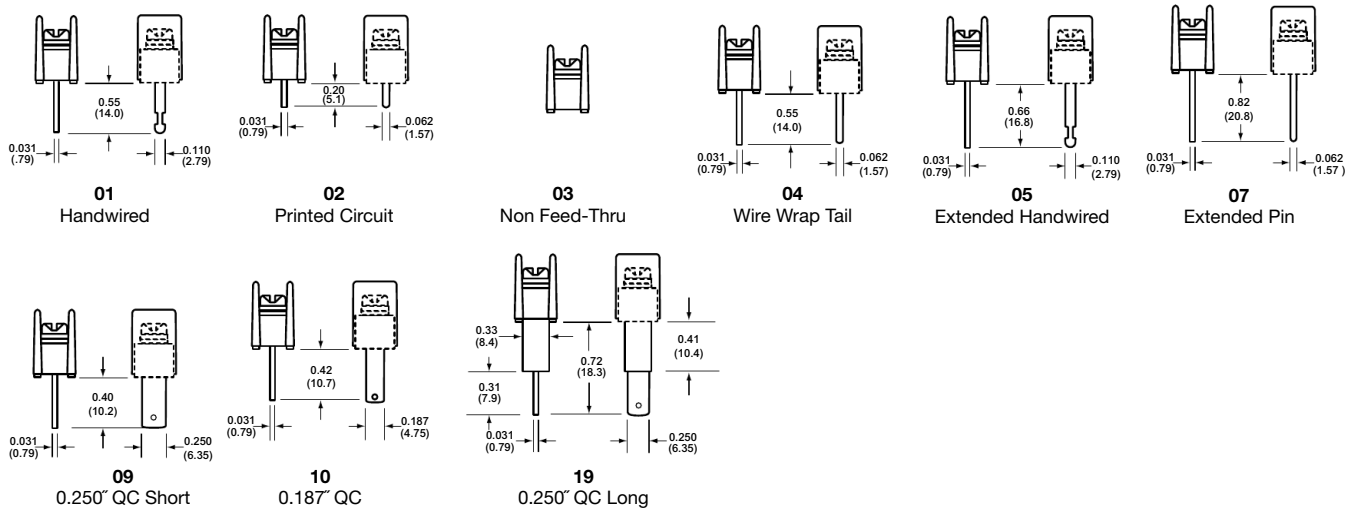
Series	Terminal Style	Base/End (Views pg. 15)	Poles	Screw Options	Options
<b>A3</b>					
<b>A3</b> - standard barrier	<b>01</b> - handwired <b>02</b> - printed circuit <b>03</b> - non feed-thru <b>04</b> - wire wrap tail <b>05</b> - extended handwired <b>07</b> - extended pin <b>09</b> - 0.250 QC short <b>10</b> - 0.187 QC <b>19</b> - 0.250 QC long	<b>1</b> - std. base/mount end <b>2</b> - std. base/barrier <b>3*</b> - insulator base/mount end <b>4*</b> - insulator base/barrier end <b>5**</b> - closed base/mount end	<b>02 to 28</b> <b>02 to 26</b> on mount end base	Blank - std. screw <b>00</b> - screws shipped bulk <b>03</b> - stainless steel <b>04</b> - brass nickel-plated <b>07</b> - steel SEMS zinc-plated (not available with hardware options) <b>09</b> - brass SEMS nickel-plated (not available with hardware options) <b>07WR</b> - steel SEMS wire ready (A3 only) <b>CA†</b> - captive screw	<b>AB</b> - angle mnt. options (pg 18) <b>A1 to A9</b> - 0.250" QC <b>B1 to B9</b> - 0.187" QC <b>L1 to L6</b> marking options (pg 25) <b>MP, MT</b> mounting plates (pg 18) <b>RC</b> - retaining clips (pg 19) <b>R30 to R77</b> - right angle bends (pg 18) <b>S1</b> - solder lug/flat <b>J201***</b> - flat slip-on jumper <b>OJ3***, OJ5*** &amp; OJ7***</b> - over barrier jumpers <b>Covers</b> - (pg 26)

\*Base/End Styles 3 and 4 not available with 02, 03, and 09 terminals.  
 \*\*Base/End Note: 5 Style only available with 03 terminals.  
 \*\*\*Contact factory for configuration.

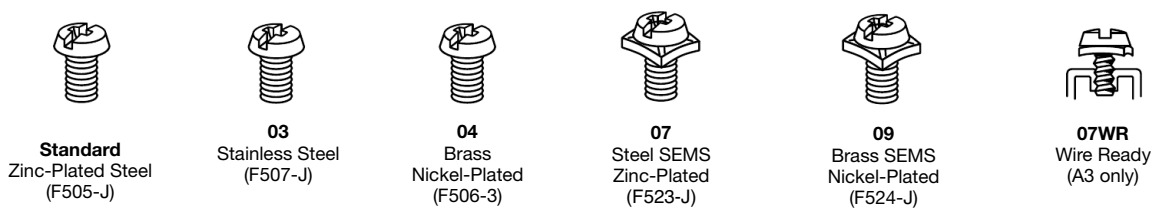
†Not compatible with 03 stainless steel screw option.

**Terminal Styles**

Inches (Millimeters)



**Screw Options** (Bulk ordering part numbers are in parentheses)



Terminal Blocks:  
Single Row

Eurolog Series

Edge Connectors,  
One-Sided Boards

Compliance  
References

**Series LP3000**

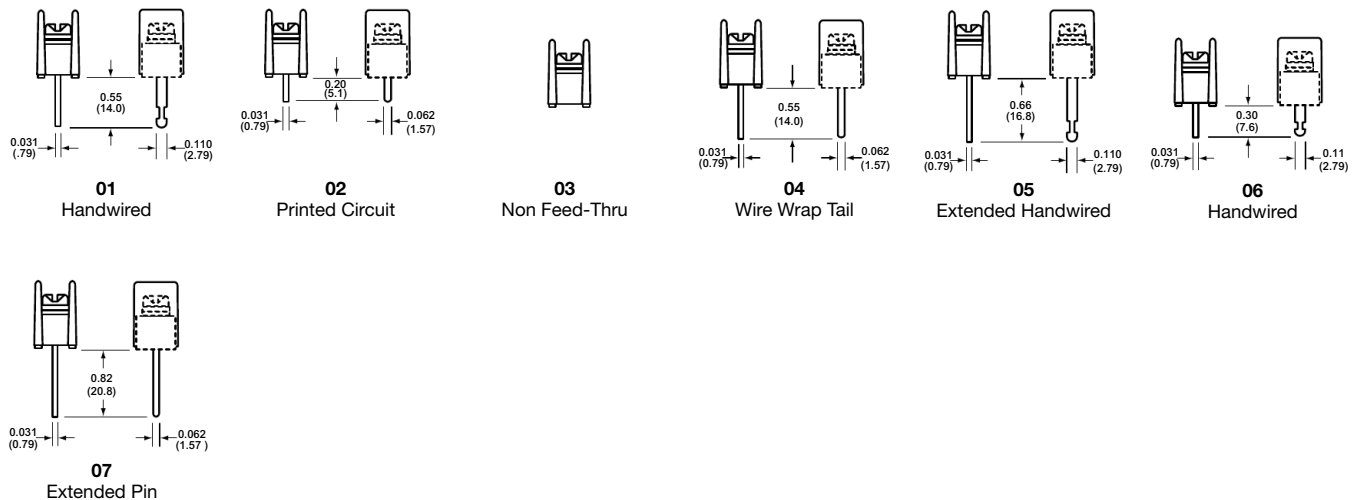
Single Row Terminal Blocks

**Part Numbering System**

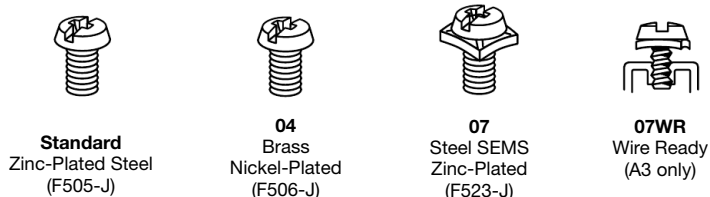
Series	Terminal Style	Base/End (Views pg. 15)	Poles	Screw Options	Options
<b>LP3</b>					
<b>LP3</b> - low profile barrier	<b>01</b> - handwired <b>02</b> - printed circuit <b>03</b> - non feed-thru <b>04</b> - wire wrap tail <b>05</b> - extended handwired <b>06</b> - handwired <b>07</b> - extended pin	<b>1</b> - std. base/mount end <b>2</b> - std. base/barrier end <b>3*</b> - insulator base/mount end <b>4*</b> - insulator base/barrier end <b>5**</b> - closed base/ mount end	<b>02 to 28</b> <b>02 to 26</b> on mount end base	Blank - std. screw <b>00</b> - screws shipped bulk <b>04</b> - brass nickel-plated <b>07</b> - steel SEMS zinc-plated (not available with hardware options) <b>07WR</b> - steel SEMS wire ready (A3 only) <b>CA</b> - captive screw	<b>A1 to A9</b> - 0.250" QC <b>B1 to B9</b> - 0.187" QC <b>L1 to L6</b> marking options (pg 25) <b>MP</b> mounting plates (pg 18) <b>R30 to R77</b> - right angle bends (pg 18) <b>J201***</b> - flat slip-on jumper <b>†OJ3***, OJ5*** &amp; OJ7***</b> - over barrier jumpers  <b>Covers</b> - (pg 26)

\*Base/End Style 3 and 4 only available with 01 and 05 terminals  
 \*\*Base/End Style 5 only available with 03 terminals.  
 \*\*\*Contact factory for configuration.

**Terminal Styles**



**Screw Options** (Bulk ordering part numbers are in parentheses)



Terminal Blocks: Single Row

EuroMag Series

Edge Connectors, One-Sided Boards

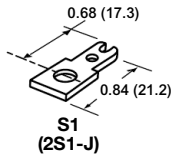
Compliance References

**Series A3000 & LP3000**  
Single Row Terminal Blocks *Continued*

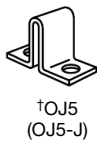
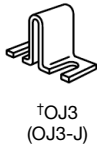
**Hardware Options** (Bulk ordering part numbers are in parentheses)

Inches (Millimeters)

**Solder Lugs\***

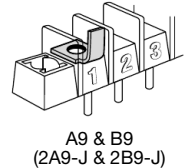
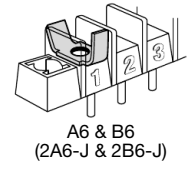
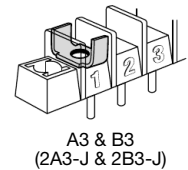
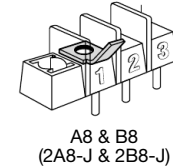
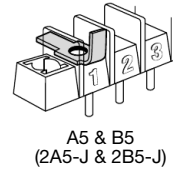
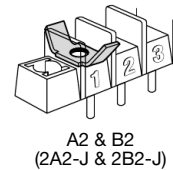
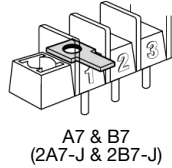
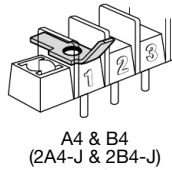
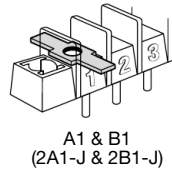


**Jumpers**



**Quick Connects**

Blade Width A = 0.250" Blade Width B = 0.187"



\*A3 only  
†Contact factory for pole configuration.

**Base/End Options**

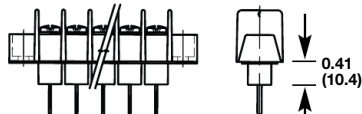
Inches (Millimeters)



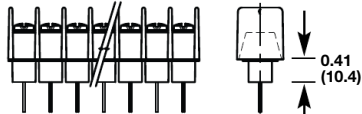
1 - Standard base/mount end



2 - Standard base/barrier end



3 - Insulator base/mount end

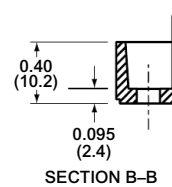
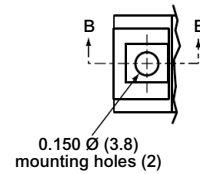


4 - Insulator base/barrier end



5 - Closed base/mount end

**Mount End Details**



1, 3 & 5 Mount End

**Series A3000 & LP3000**

Single Row Terminal Blocks *Continued*

**Mounting Options**

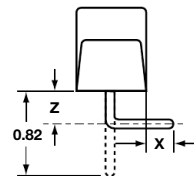
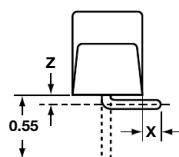
Inches (Millimeters)

**Right Angle Bends (A3, LP3 only)**

Right angle terminals are offered on the A3000 & LP3000 Series. Configurations are defined in these dimensions: X = pin extension beyond the block base; Z = length from block base to centerline of the terminal tip. Standard bends consist of the X and Z dimensions shown in the chart. Specify by adding the selected Bend Option Code to the terminal part number.

**07 Terminal Bend Configurations**

**04 Terminal Bend Configurations**

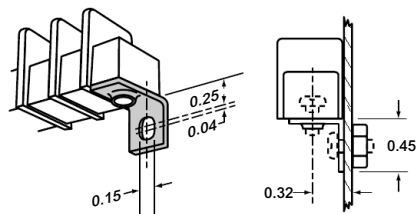


Bend Option Code	X (minimum)	Z	Available w/insulator base
R30	0.04	0.28	No
R35	0.01	0.23	No
R36	0.02	0.22	No
R39	0.05	0.19	No
R42	0.08	0.16	No
R46	0.12	0.12	No
R48	0.14	0.10	No
R50	0.16	0.08	No

Bend Option Code	X (minimum)	Z	Available w/insulator base
R30	-0.04	0.55	Yes
R35	0.01	0.50	Yes
R36	0.02	0.49	Yes
R50	0.16	0.35	No
R53	0.19	0.32	No
R66	0.32	0.19	No
R69	0.35	0.16	No
R75	0.41	0.10	No
R77	0.43	0.08	No

Dimensions in inches. To convert to millimeters, multiply by 25.4.

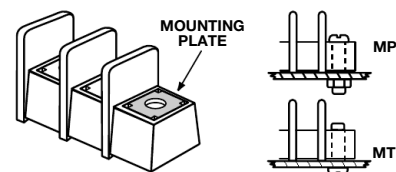
**Angle Brackets (A3 only)**



**Option AB**

Angle brackets enable block to be fastened at right angles to normal mount position. Bulk part number **2AB-J**.

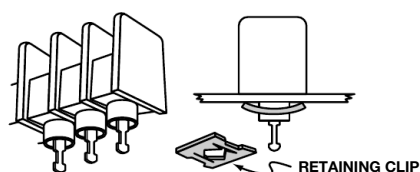
**Mounting Plates**



**Options MP & MT**

**MP** Metal inserts with 0.150" dia. hole accept #6 screw. **MT** Metal inserts with tapped hole accept #6-32 screw. Bulk part numbers: **2MP-J**, **2MT-J**

**Retaining Clip**



**Option RC**

Use on standoff tubes. Fit panels up to 0.125" thick. Two clips for every five positions. Supplied unassembled. Bulk part number **H541-J**.

Terminal Blocks: Single Row  
EuroMag Series  
Edge Connectors, One-Sided Boards  
Compliance References

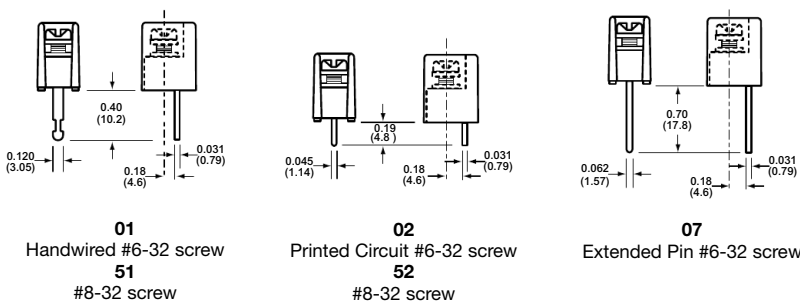
**Series CB3000**  
Single Row Terminal Blocks

**Part Numbering System**

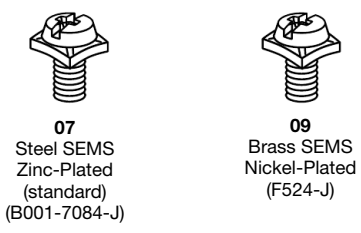
Series	Terminal Style	Base/End	Poles	Screws	Options
<b>CB3</b>					
<b>CB3</b> - closed back	<b>01</b> - handwired #6-32 screw <b>02</b> - printed circuit #6-32 screw <b>07</b> - extended pin #6-32 screw <b>51*</b> - handwired #8-32 <b>52*</b> - printed circuit #8-32	<b>1</b> - mount end <b>2</b> - barrier end	<b>02 to 28</b> <b>02 to 26</b> on mount end base	<b>07</b> - steel SEMS (standard) <b>09</b> - brass SEMS nickel-plated <b>CA</b> - SEMS captive	<b>AB</b> - angle mounting brackets (pg 20) <b>A7 to A9</b> - 0.250" QC <b>B7 to B9</b> - 0.187" QC <b>EB</b> - exit back terminals <b>L1 to L6</b> marking options (pg 25) <b>LT1 to LT6</b> marking options (pg 25) <b>MP</b> mtg. plates (pg 20) <b>OJ3** &amp; OJ7**</b> - over barrier jumpers <b>Covers</b> - (pg 26)

\*Note: #8-32 screw is a special with #6-32 head.  
 \*\*Contact factory for configuration.

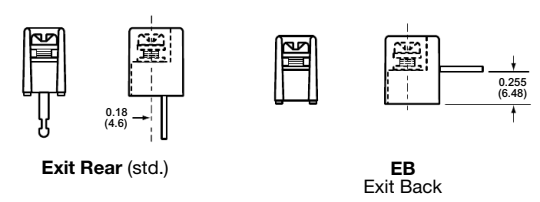
**Terminal Styles** Inches (Millimeters)



**Screw Options** (Bulk ordering part numbers are in parentheses)



**CB3 Terminal Exit Options** Inches (Millimeters)





**Series CB3000**

Single Row Terminal Blocks *Continued*

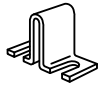
**Hardware Options** (Bulk ordering part numbers are in parentheses)

Inches (Millimeters)

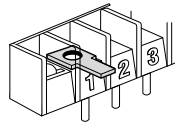
**Jumpers**

**Quick Connects**

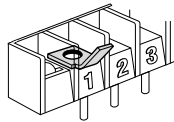
Blade Width A = 0.250". Blade Width B = 0.187".



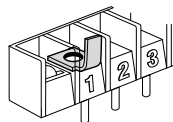
†OJ3  
(OJ3-J)



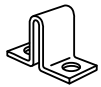
A7 & B7  
(2A7-J & 2B7-J)



A8 & B8  
(2A8-J & 2B8-J)



A9 & B9  
(2A9-J & 2B9-J)



†OJ7  
(OJ7-J)

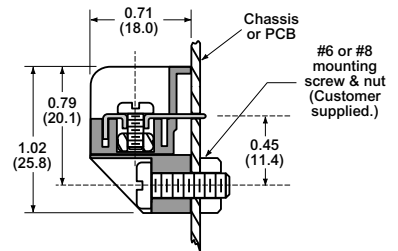
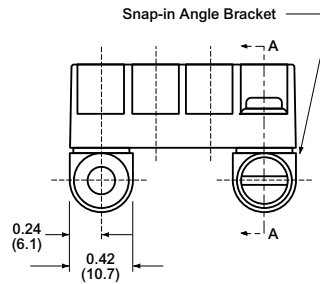
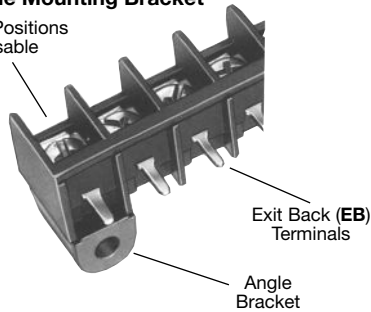
†Contact factory for pole configuration.

**Mounting Options**

Inches (Millimeters)

**Right Angle Mounting Bracket**

End Positions usable

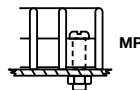
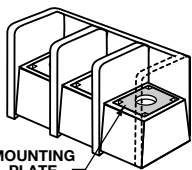


**Option AB**

**Mounts blocks on PC boards at a right angle.**

- Protects solder joints.
- Recommended for all EB (Exit Back) PCB terminal blocks.
- Bracket snaps securely on block (no hardware required).
- Minimum strip length (end positions are usable).
- Mount with #6-32 or #8-32 screws (not supplied).

**Mounting Plates**



**Option MP**

MP Metal inserts with 0.150" dia. hole accept #6 screw.

MOUNTING PLATE

Terminal Blocks:  
Single Row

EuroMag Series

Edge Connectors,  
One-Sided Boards

Compliance  
References

## Series A38 / B38

### Single Row Terminal Blocks

#### SPECIFICATIONS

**Rating:** A38: 30A, 600V

B38: 50A, 300V

**Center Spacing:** 0.437" (11.10mm)

**Wire Range:** A38: #10-22 AWG Cu; B38: #8-16 AWG

**Screw Size:** #8-32 zinc-plated steel

**Torque Rating:** A38: 9 lb-in; B38: 15 lb-in for #8, 9 lb-in for #6

**Base:** A38 Only: Standoffs standard for easy flux washing

**Distance Between Barriers:** 0.378" (9.60mm)

**Recommended PCB Hole Diameter (A38):** 0.076" (1.93mm)

**Operating Temperature:** 221°F (105°C)

**Molded Material:** Black, UL Rated 94V0 Thermoplastic

**Breakdown Voltage:** 5000V

**Agency Information:** UL File E62622, CSA File 47235;

CE Certified



A382208



B384904

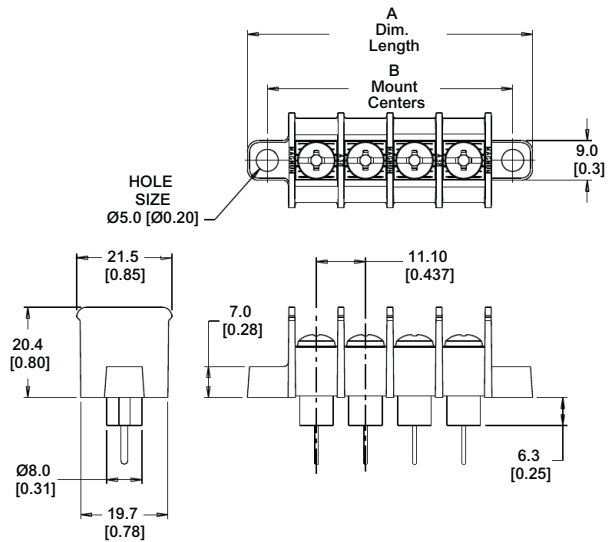
TABLE A

Poles	MOUNTING ENDS ONLY		BARRIER ENDS ONLY
	B Mount Ctrs.	"A" Dim. Length	"A" Dim. Length
02	1.31	1.67	0.93
03	1.75	2.10	1.37
04	2.19	2.54	1.81
05	2.62	2.98	2.25
06	3.06	3.41	2.68
07	3.50	3.85	3.12
08	3.93	4.29	3.56
09	4.37	4.72	3.99
10	4.81	5.16	4.43
11	5.24	5.60	4.87
12	5.68	6.04	5.30
13	6.12	6.47	5.74
14	6.56	6.91	6.18
15	6.99	7.35	6.61
16	7.43	7.78	7.05

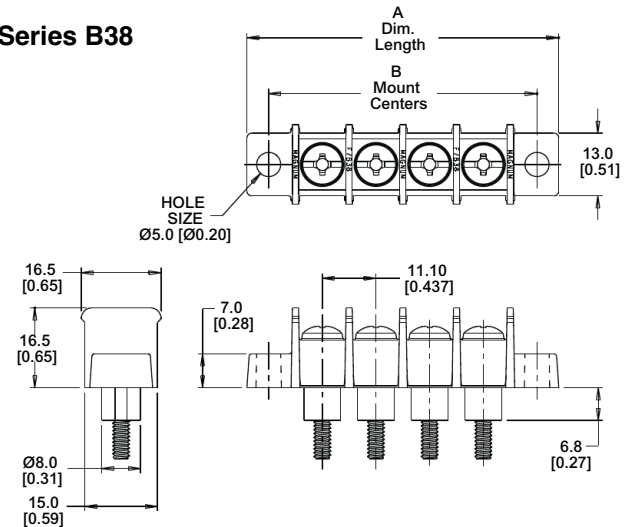
\* Dimensions in inches. To convert to millimeters, multiply by 25.4.

#### Dimensions - mm (in)

##### Series A38



##### Series B38

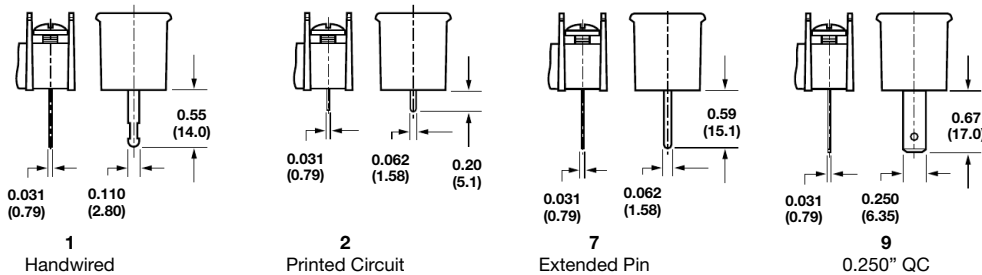


### Part Numbering System

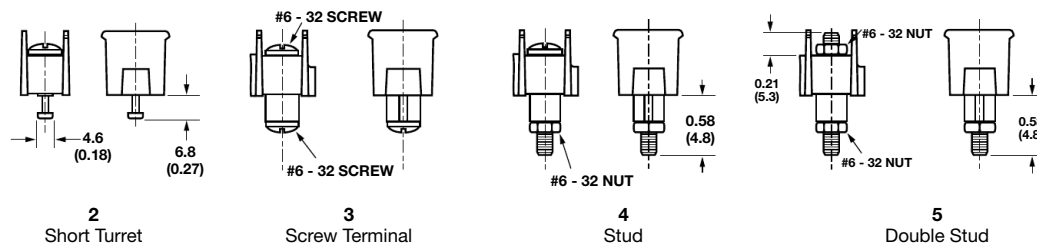
Series	Terminal Style	Base/End	# of Poles	Screw Options	Options
<b>A3B</b>					
	1 - hand wired* 2 - printed circuit 7 - extended wire wrap 9 - 0.250" QC*	1 - flat base, mount end 2 - flat base, barrier end 3 - insulator base** mount end 4 - insulator base** barrier end	02 to 16	Blank - standard screw (steel zinc-plated, philslot BHMS)† 04 - brass, nickel-plated, philslot BHMS† 07 - steel, SEMS zinc-plated philslot screw 94 - brass, nickel-plated slotted BHMS†	L1 to L6 marking options (pg 25)  Covers - (pg 26)
		* N/A on barrier end base styles (2 and 4) **N/A on 2 terminal style.		†Binding Head Machine Screw	
<b>B3B</b>					
	2 - short turret 3 - screw terminal #6-32 screw top & bottom) 4 - stud (#8-32 screw top, #6-32 stud bottom) 5* - double stud (#6-32 stud top & bottom)	4 - insulator base, barrier ends 9 - insulator base mount ends	02 to 16	Blank - standard screw steel zinc-plated philslot BHMS)† 34** - #6-32 nickel-plated brass philslot BHMS†	L1 to L6 marking options (pg 25)
	*C360 Copper alloy (bright tin plate)			**Note: 34 screws only. Available with 3 terminal style. †Binding Head Machine Screw	

### A38 Terminal Styles Wire ready screws standard

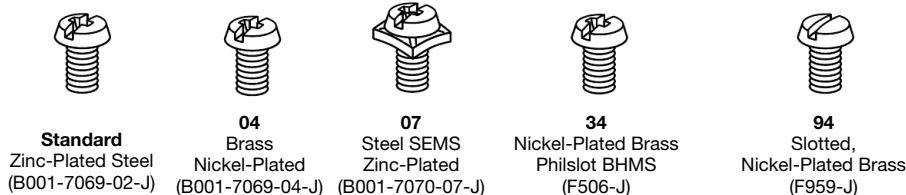
Inches (Millimeters)



### B38 Terminal Styles



### Screw Options (Bulk ordering part numbers are in parentheses)



Terminal Blocks:  
Single Row

EuroMag Series

Edge Connectors,  
One-Sided Boards

Compliance  
References

## Series A4000 & Series B4000

### Single Row Terminal Blocks

#### SPECIFICATIONS

**Rating:** See table.

**Center Spacing:** 0.562" or 9/16" (14.28mm)

**Wire Range:** See rating table.

**Screw Size:** #8-32 or #10-32 zinc-plated slotted screws

**Torque Rating:** #8 screw size 16 lb-in.; #10 screw size 20 lb-in.

**Distance Between Barriers:** 0.47" (11.9mm)

**Operating Temperature:** 105°C (221°F) max., -40°C (-40°F) min.

**Molded Material:** Black, UL Rated 94V0 Thermoplastic

**Hardware:** Bottom studs supplied with nuts assembled. Cup washers are optional on bottom studs but are not recommended with ring terminals.

**Extended Hex Nuts:** Optional extended, slotted hex nuts enable easier installation and removal with hex wrench or screwdriver. Available in bulk for the #10-32 studs on Series A4953 blocks. Specify part number F582 and quantity.

**Breakdown Voltage:** 6100V

**Agency Information:** UL File E62622, CSA File 47235; CE Certified

#### RATING TABLE

Part Number	Terminal Top	Terminal Bottom	Wire* Range Cu	Rated* Volts/Amps
A4003XX	# 8 Screw	#8 Stud	8-16 AWG	150V/50A
A4011XX	# 8 Screw	Solder	10-16 AWG	600V/35A
A4013XX	# 8 Screw	Solder	10-16 AWG	600V/35A
A4035XX	# 8 Screw	Closed	8-16 AWG	600V/50A
A4041XX	#10 Screw	Solder	10-16 AWG	600V/35A
A4043XX	#10 Screw	Solder	10-16 AWG	600V/35A
A4803XX	#10 Screw	#8 Stud	8-16 AWG	150V/50A
A4813XX	#10 Screw	Solder Turret	10-16 AWG	600V/35A
A4843XX	#10 Screw	#8 Screw	8-16 AWG	150V/50A
A4953XX	#10 Stud	#10 Stud	8-16 AWG	150V/50A
B4843XX	#10 Screw	#8 Screw	8-16 AWG	600V/50A

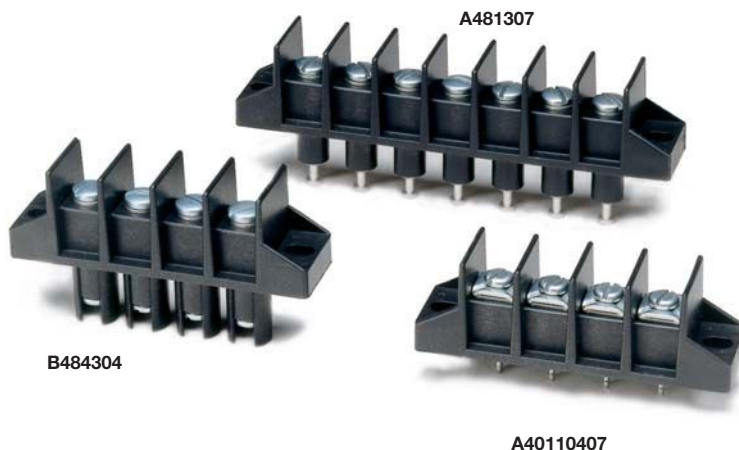
\* All models 30A Max. with 10 AWG;

35-50A ratings with 8 AWG using ring or fork type terminals.

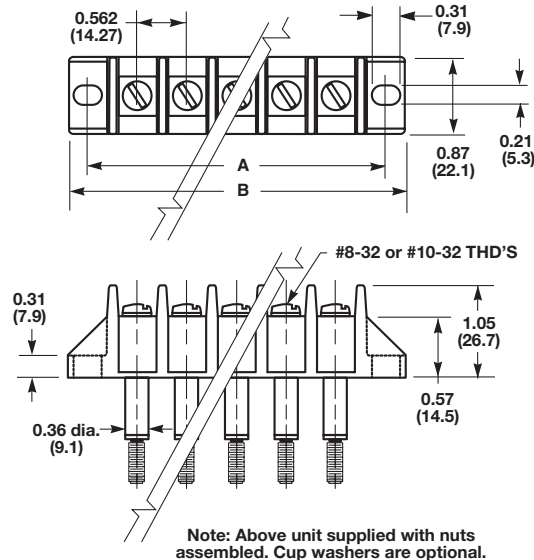
Note: 50A rating achieved with #8 copper wire crimped to ring terminal.

Poles	A (in.) Mount Centers	B (in.) Length
2	1.690	2.120
3	2.255	2.685
4	2.820	3.250
5	3.385	3.817
6	3.950	4.382
7	4.515	4.947
8	5.080	5.513
9	5.645	6.078
10	6.212	6.644
11	6.777	7.210
12	7.342	7.775
13	7.908	8.340
14	8.473	8.905
15	9.038	9.470
16	9.605	10.035
17	10.170	10.600
18	10.735	11.167

\* Dimensions in inches. To convert to millimeters, multiply by 25.4.

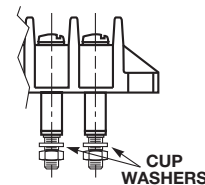


#### A4000 Series Dimensions - in (mm)

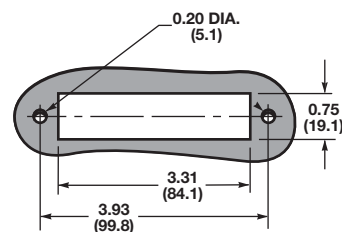


#### Optional Cup Washers Assembled

Available on A4003, A4803, A4843, A4953 & B4843.



#### Reference Panel Cutout for 6 Position Block



## Part Numbering System

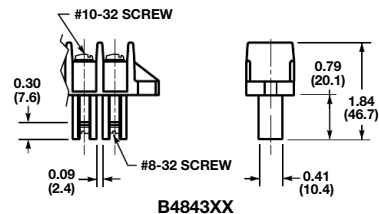
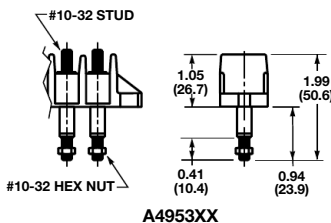
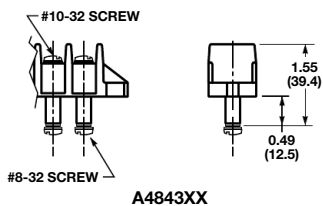
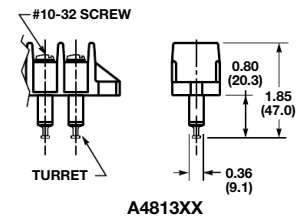
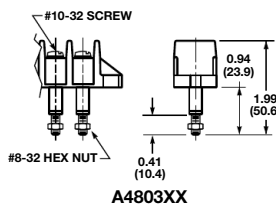
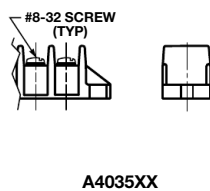
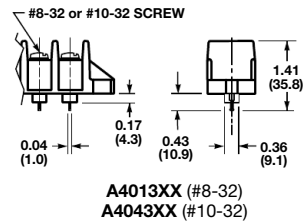
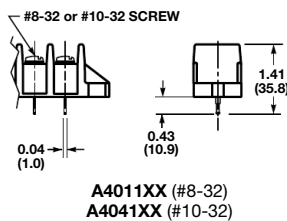
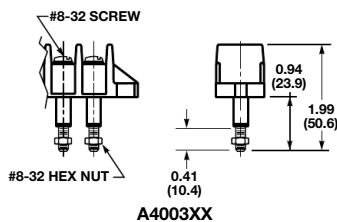
Series	Terminal Style	Base/End	Poles	Screw Options	Options
<b>A4</b>					
<b>B4</b>	<b>00</b> - screw top; stud bottom <b>01</b> - screw top; solder bottom <b>03</b> - screw top only <b>04</b> - #10 screw top; solder term. b. <b>80</b> - screw top; stud bottom #10-32 top, #8-32 bottom insulated base <b>81</b> - screw top; solder turret bottom #10-32 <b>84</b> - screw top; screw bottom #10-32 <b>95</b> - stud top; stud bottom #10-32	<b>*1</b> - flat base/ mount end <b>3</b> - insulator base- (not available in 03 terminal style) /mount end <b>5</b> - closed base/ mount end (available in 03 terminal only)	<b>02 to 18</b>	Blank - std. screw <b>00</b> - screws shipped bulk <b>04</b> - brass nickel-plated <b>07</b> - steel SEMS zinc plated (not available with hardware options; only available on A4011, A4013, A4021 and A4035)	<b>A1 to A9</b> - 0.250" QC <b>†CW</b> - cup washer (pg 23) <b>L1 to L6</b> marking options (pg 25) <b>S1 &amp; S2</b> - solder lugs/flat <b>J301**</b> - flat slip-on jumper (2 position only)  <b>Covers</b> - (pg 26)
<b>A4</b> - standard <b>B4</b> - barrier (only available in 84 terminal style)					

\*Available in 01, 02, 04 & 05 terminal style only.  
\*\*Consult factory for configuration.

† Available only on A4003, A4803, A4843, A4953 & B4843.

## Terminal Styles

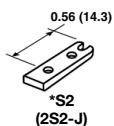
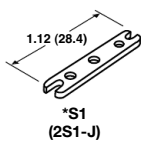
Inches (Millimeters)



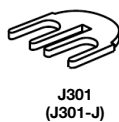
## Hardware Options (Bulk ordering part numbers are in parentheses)

Inches (Millimeters)

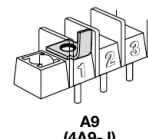
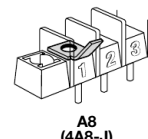
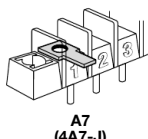
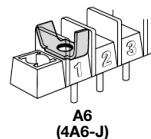
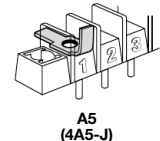
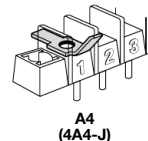
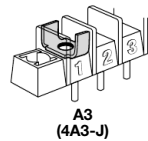
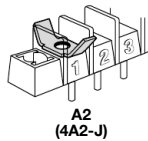
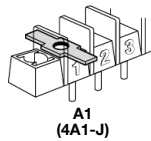
### Solder Lugs



### Jumpers



### Quick Connects Blade Width A = 0.250". (For other orientations, contact factory.)



\*Not available for A4843



## All Series Marking Options

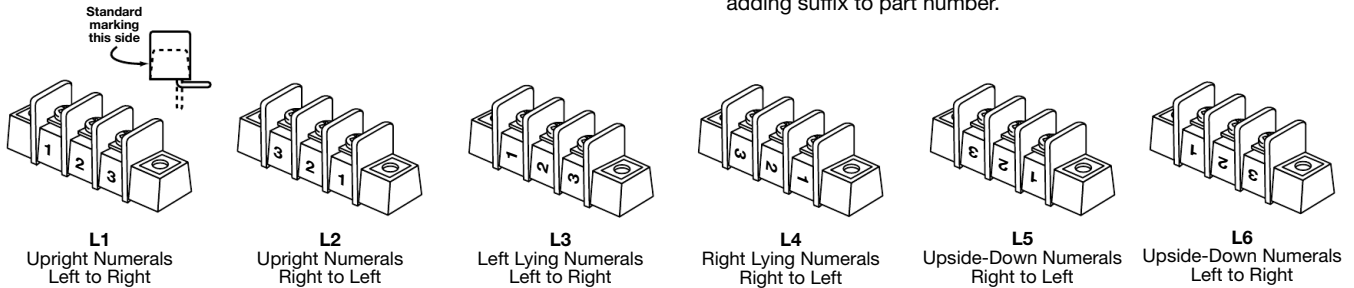
### Single Row Terminal Blocks

### Marking Options & Accessories

#### Standard Marking

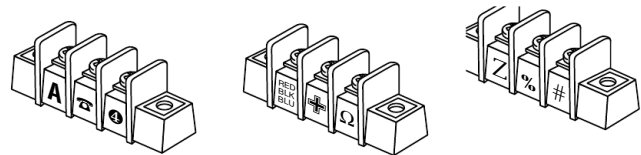
Markings are applied directly to the sides of Series 1000, 2000, 3000, 4000, and 5000. Standard characters are white and 1/8" high. Factory may substitute 3/32" high characters.

Blocks to be marked on both sides require a different code for each side. Example: "L1" on one side of the block requires "L2" on the other side to ensure common terminal marking. Specify by adding suffix to part number.



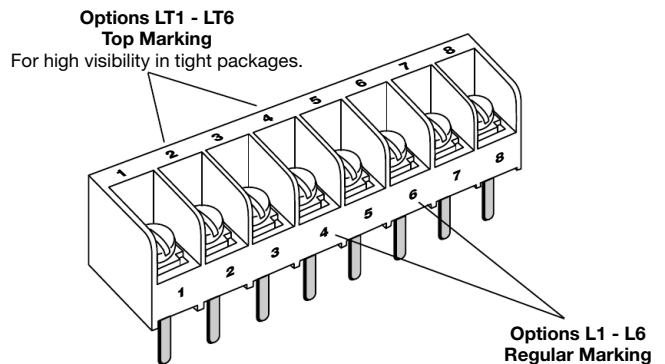
#### Special Marking

Special markings are available upon request at an additional charge for preparation. Production charges for setup, handling and marking are the same as for standard marking and the same quantity discounts apply. Consult factory for price and delivery.



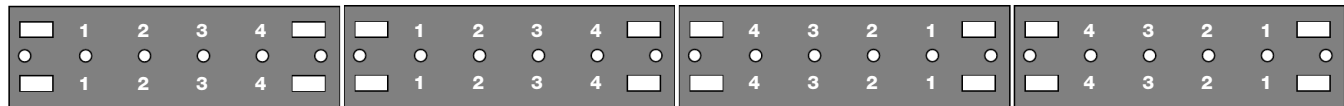
#### Closed Barrier Terminal Block Marking Options for (CB1000, CB2000 and CB3000)

- L1 & LT1 = Upright numerals, numbered from left to right
- L2 & LT2 = Upright numerals, numbered from right to left
- L3 = Left lying numerals, numbered from left to right
- L4 = Right lying numerals, numbered from right to left
- L5 & LT5 = Upside down numerals, numbered from right to left
- L6 & LT6 = Upside down numerals, numbered from left to right



#### Marker Strips

Black marker strips with white numerals mount beneath the terminal blocks to clearly identify terminal and wire positions. Available with forward or reverse markings, top or bottom of strip. If special markings are required, submit a drawing.



#### Series



- MS1 - 1000 Series
- MS2 - 2000 Series
- MS3 - 3000 Series

#### Base



- 1 - mount end, feed thru
- 2 - barrier end, feed thru
- 3 - mount end, insulator tubes
- 4 - barrier end, insulator tubes
- 5 - mount end, non feed-thru

#### Poles



02 to 36

#### Marking



- BF - bottom forward
- TF - top forward
- BR - bottom reverse
- TR - top reverse

**All Series Accessories**

Single Row Terminal Blocks *Continued*

**Cover Options - Single Row**

**Terminal Block Covers**

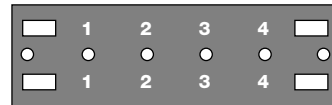
Available for Series A1000, A2000, A3000, A4000, B4000, LP2000, & LP3000.  
 Three styles of UL 94V0 thermoplastic covers are offered in black. Covers are ordered separately and supplied with two clips each, unless ordered without clips. Optional markings may be specified (white on black).

Notes: Covers **cannot** be used with: • mounting plate options MP & MT.  
 • certain quick connect terminals.  
 • 0, 6, & 9 base/end styles on A2 or A3

Bulk Cover Clips: Series 1000 = **CC1-J**; Series 2000 & 3000 = **CC2-J**;  
 Series 4000 = **CC4-J**.

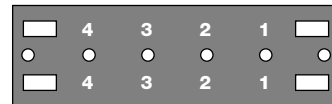
**Standard Cover Markings**

Top Forward - **TF**



Bottom Forward - **BF**  
 Skirted Access Side

Top Reverse - **TR**



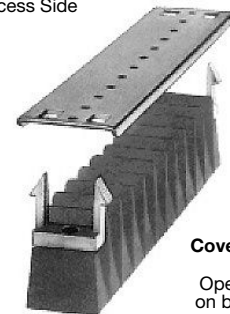
Bottom Reverse - **BR**  
 Skirted Access Side



**Cover Options BB**  
 Skirted access on both sides.



**Cover Options BO**  
 Skirted access on one side only.



**Cover Options BC**  
 Open access on both sides.

**Cover**



**BB** - skirted access, both sides, black  
**BO** - skirted access, one side, black  
**BC** - open access, both sides, black\*  
 \* Not available in 4000 Series

**Series**



1 - 1000  
 2 - 2000  
 3 - 3000  
 4 - 4000

**Poles**



02 to 36

**Markings**



**BF** - bottom forward  
**TF** - top forward  
**BR** - bottom reverse  
**TR** - top reverse

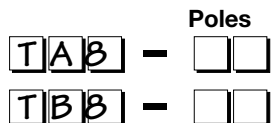
**Options**



00 - without clips

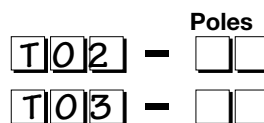
**Snap-On Covers for A38/B38 Series & CB2/CB3 Series**

**A38/B38 Series**



**A38 Series**  
**B38 Series**

**CB2/CB3 Series**



**CB2 Series**  
**CB3 Series**

Note: these are labeled as an "O" not a "zero"

Terminal Blocks: Single Row  
 EuroMag Series  
 Edge Connectors, One-Sided Boards  
 Compliance References



## EUROMAG (EM) SERIES

Bussmann offers a variety of standard European style PCB terminal blocks. Configurations include straight to board, plug and header, screwless, insulation displacement connectors (IDC), 2-tiered, 3-tiered, mold-to-length, modular (stackable) design, and terminal blocks with horizontal, vertical, 35 and 45 degree wire entry orientations. Available center spacings range from 2.54mm to 15.00mm.

### Section Contents

#### Page

#### PCB Mount Connectors:

- Spring & Screw Design . . . . .29-37
- Cage & Screw Design . . . . .38-48
- Two & Three Tier . . . . .49-53
- High Current (28A-115A) . . . . .54-64
- Screwless . . . . .65-73
- Plug & Header . . . . .74-106



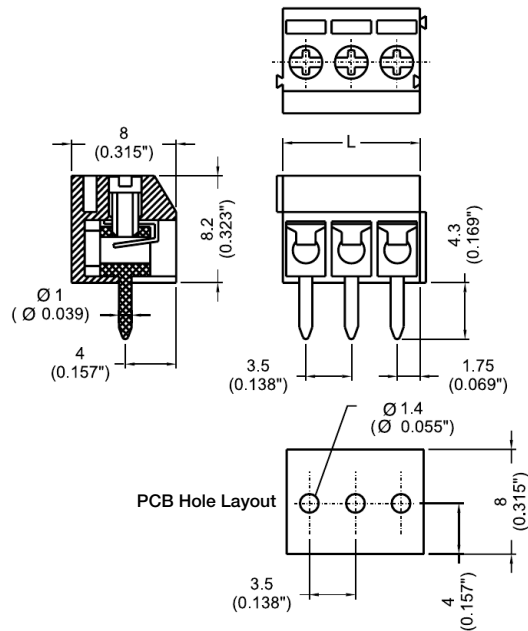
**EM3123 Series**  
**EuroMag Terminal Blocks**  
 3.50 Centers; Modular

**SPECIFICATIONS**

- Rating:** 6A, 300V
- Center Spacing:** 0.138" (3.50mm)
- Wire Range:** #16-26 AWG
- Housing Material:** Black Polyamide Type 6/6, 94V0
- Contact Material:** Tin-Plated Brass
- Wire Protector:** Stainless Steel
- Screw Size:** M2.0 Zinc-Plated Steel
- Operating Temperature:** 105°C (221°F) max., -33°C (-27°F) min.
- Torque Rating:** 2.0 lb-in.
- Recommended PCB Hole Diameters:** 0.055" (1.40mm)
- Construction:** Modular design features dovetails for interlocking to achieve longer lengths
- Agency Information:** File E62622; CE Certified



**Dimensions - mm (in)**



Poles	L (mm)	Poles	L (mm)
2	7.0	14	49.5
3	10.5	15	52.5
4	14.0	16	56.0
5	17.5	17	59.5
6	21.0	18	63.0
7	24.5	19	66.5
8	28.0	20	70.0
9	31.5	21	73.5
10	35.0	22	77.0
11	38.5	23	80.5
12	42.0	24	84.0
13	45.5		

To convert to inches, divide by 25.4

**Part Numbering System**



Terminal Blocks:  
Single Row

EuroMag Series  
Spring & Screw

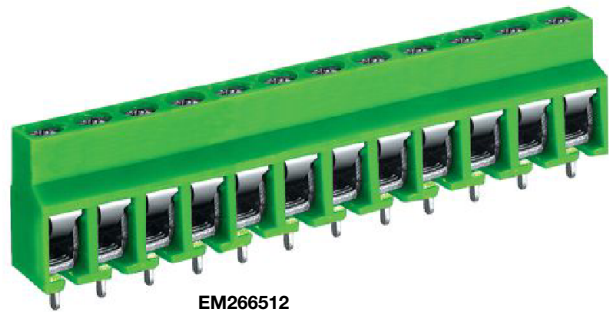
Edge Connectors,  
One-Sided Boards

Compliance  
References

**EM2665 Series**  
**EuroMag Terminal Blocks**  
 5.00 Centers

**SPECIFICATIONS**

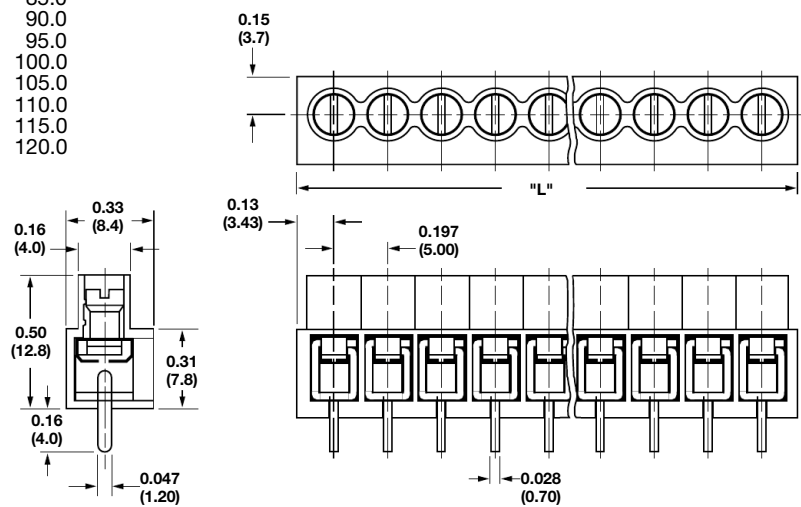
- Rating:** 10A, 300V
- Center Spacing:** 0.197" (5.00mm)
- Wire Range:** #14-26 AWG
- Housing Material:** UL rated 94V0 Thermoplastic
- Contact Material:** Brass Tin-Plated
- Screw Size:** M2.6 Zinc-Plated Steel
- Operating Temperature:** 105°C (221°F) max., -40°C (-40°F) min.
- Torque Rating:** 4 lb-in.
- Recommended PCB Hole Diameters:** 0.055" (1.40mm)
- Construction:** Mold to Length
- Connector Style:** Spring and Screw
- Agency Information:** File E62622; CE Certified



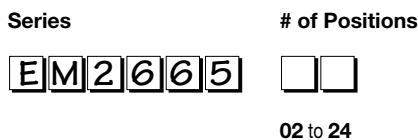
Position	L (mm)	Position	L (mm)
02	10.0	14	70.0
03	15.0	15	75.0
04	20.0	16	80.0
05	25.0	17	85.0
06	30.0	18	90.0
07	35.0	19	95.0
08	40.0	20	100.0
09	45.0	21	105.0
10	50.0	22	110.0
11	55.0	23	115.0
12	60.0	24	120.0
13	65.0		

To convert to inches, divide by 25.4

**Dimensions - in (mm)**



**Part Numbering System**



Terminal Blocks:  
Single Row

EuroMag Series  
Spring & Screw

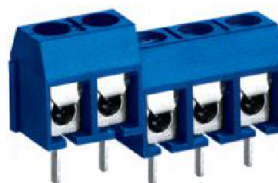
Edge Connectors,  
One-Sided Boards

Compliance  
References

**EM3660 Series**  
**EuroMag Terminal Blocks**  
 5.00 Centers; Modular

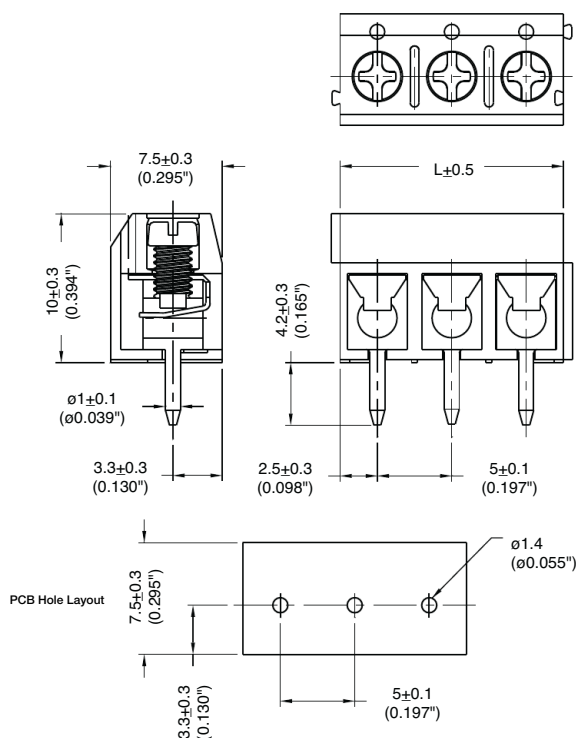
**SPECIFICATIONS**

- Rating:** 16A, 300V
- Center Spacing:** 0.197" (5.00mm)
- Wire Range:** #12-26 AWG
- Housing Material:** Blue Polyamide Type 6/6, 94V0
- Contact Material:** Tin-Plated Brass
- Wire Protector:** Stainless Steel
- Screw Size:** M2.6 Zinc-Plated Steel
- Operating Temperature:** 105°C (221°F) max., -33°C (-27°F) min.
- Torque Rating:** 4.0 lb-in.
- Recommended PCB Hole Diameters:** 0.055" (1.40mm)
- Construction:** Modular design features dovetails for interlocking to achieve longer lengths
- Agency Information:** File E62622; CE Certified



EM366005

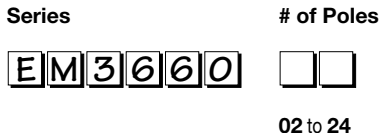
**Dimensions - mm (in)**



Poles	L (mm)	Poles	L (mm)
2	10.0	14	70.0
3	15.0	15	75.0
4	20.0	16	80.0
5	25.0	17	85.0
6	30.0	18	90.0
7	35.0	19	95.0
8	40.0	20	100.0
9	45.0	21	105.0
10	50.0	22	110.0
11	55.0	23	115.0
12	60.0	24	120.0
13	65.0		

To convert to inches, divide by 25.4

**Part Numbering System**



Terminal Blocks: Single Row

EuroMag Series Spring & Screw

Edge Connectors, One-Sided Boards

Compliance References



**EM3665 Series**  
**EuroMag Terminal Blocks**  
 5.00 Centers; Modular

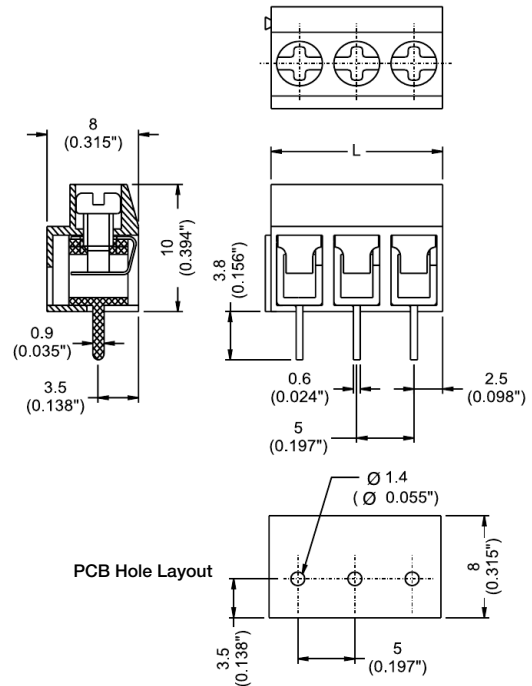
**SPECIFICATIONS**

- Rating:** 10A, 300V
- Center Spacing:** 0.197" (5.00mm)
- Wire Range:** #14-26 AWG
- Housing Material:** UL rated 94V0 Thermoplastic
- Contact Material:** Tin-Plated Brass
- Screw Size:** M2.6 Zinc-Plated Steel
- Operating Temperature:** 105°C (221°F) max., -40°C (-40°F) min.
- Torque Rating:** 4.0 lb-in.
- Recommended PCB Hole Diameters:** 0.055" (1.40mm)
- Construction:** Modular design features dovetails for interlocking to achieve longer lengths
- Connector Style:** Spring and Screw
- Agency Information:** File E62622; CE Certified



EM366512

**Dimensions - mm (in)**



Poles	L (mm)	Poles	L (mm)
2	10.0	14	70.0
3	15.0	15	75.0
4	20.0	16	80.0
5	25.0	17	85.0
6	30.0	18	90.0
7	35.0	19	95.0
8	40.0	20	100.0
9	45.0	21	105.0
10	50.0	22	110.0
11	55.0	23	115.0
12	60.0	24	120.0
13	65.0		

To convert to inches, divide by 25.4

**Part Numbering System**



Terminal Blocks:  
Single Row

EuroMag Series  
Spring & Screw

Edge Connectors,  
One-Sided Boards

Compliance  
References

**EM3675 Series**  
**EuroMag Terminal Blocks**  
 5.00 Centers

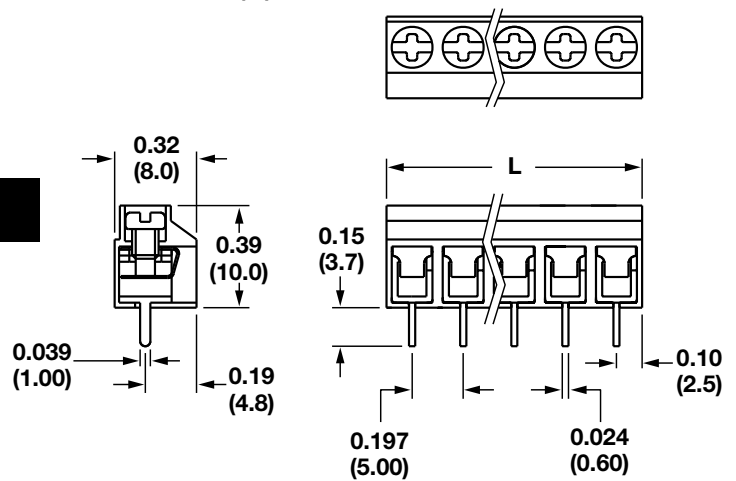
**SPECIFICATIONS**

- Rating:** 10A, 300V
- Center Spacing:** 0.197" (5.00mm)
- Wire Range:** #14-26 AWG
- Housing Material:** UL rated 94V0 Thermoplastic
- Contact Material:** Tin-Plated Brass
- Screw Size:** M2.6 Zinc-Plated Steel
- Operating Temperature:** 105°C (221°F) max., -40°C (-40°F) min.
- Torque Rating:** 4.0 lb-in.
- Recommended PCB Hole Diameters:** 0.055" (1.40mm)
- Construction:** Mold to Length
- Connector Style:** Spring and Screw
- Agency Information:** File E62622; CE Certified



EM367512

**Dimensions - (in) mm**



Poles	L (mm)	Poles	L (mm)
2	10.0	15	75.0
3	15.0	16	80.0
4	20.0	17	85.0
5	25.0	18	90.0
6	30.0	19	95.0
7	35.0	20	100.0
8	40.0	21	105.0
9	45.0	22	110.0
10	50.0	23	115.0
11	55.0	24	120.0
12	60.0		
13	65.0		
14	70.0		

To convert to inches, divide by 25.4

**Part Numbering System**



Terminal Blocks:  
Single Row

EuroMag Series  
Spring & Screw

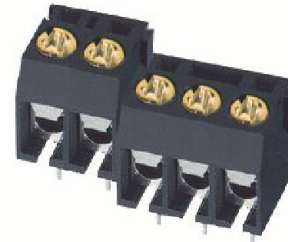
Edge Connectors,  
One-Sided Boards

Compliance  
References

**EM3127 Series**  
**EuroMag Terminal Blocks**  
 7.50 Centers; Modular

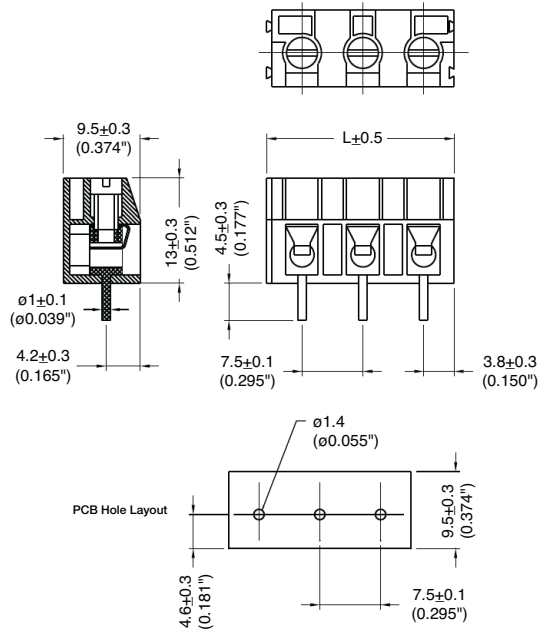
**SPECIFICATIONS**

- Rating:** 10A, 300V
- Center Spacing:** 0.295" (7.50mm)
- Wire Range:** #14-22 AWG
- Housing Material:** Black Polyamide Type 6/6, 94V0
- Contact Material:** Tin-Plated Brass
- Wire Protector:** Stainless Steel
- Screw Size:** M3.0 Zinc-Plated Steel
- Operating Temperature:** 105°C (221°F) max., -33°C (-27°F) min.
- Torque Rating:** 7.08 lb-in.
- Recommended PCB Hole Diameters:** 0.055" (1.40mm)
- Construction:** Modular design features dovetails for interlocking to achieve longer lengths
- Agency Information:** US File E62622; CE Certified



EM312705

**Dimensions - mm (in)**



Poles	L (mm)	Poles	L (mm)
2	15.0	14	105.0
3	22.5	15	112.5
4	33.0	16	120.0
5	37.5	17	127.5
6	45.0	18	133.0
7	52.5	19	142.5
8	60.0	20	150.0
9	67.5	21	157.5
10	75.0	22	165.0
11	82.5	23	172.5
12	90.0	24	180.0
13	97.5		

To convert to inches, divide by 25.4

**Part Numbering System**



Terminal Blocks: Single Row

EuroMag Series Spring & Screw

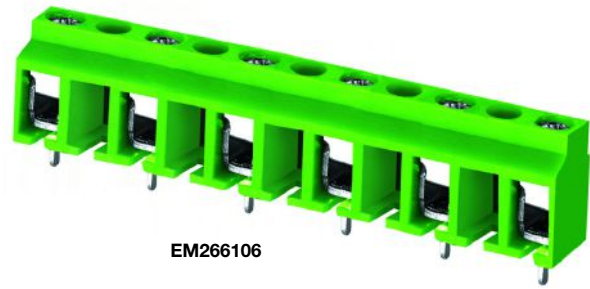
Edge Connectors, One-Sided Boards

Compliance References

**EM2661 Series**  
**EuroMag Terminal Blocks**  
 10.00 Centers

**SPECIFICATIONS**

- Rating:** 10A, 300V
- Center Spacing:** 0.394" (10.00mm)
- Wire Range:** #14-26 AWG
- Housing Material:** UL rated 94V0 Thermoplastic
- Contact Material:** Tin-Plated Brass
- Wire Protector:** Stainless Steel
- Screw Size:** M2.6 Zinc-Plated Steel
- Operating Temperature:** 105°C (221°F) max., -55°C (-40°F) min.
- Torque Rating:** 3.0 lb-in.
- Recommended PCB Hole Diameters:** 0.055" (1.40mm)
- Construction:** Mold-to-Length
- Agency Information:** File E62622; CE Certified

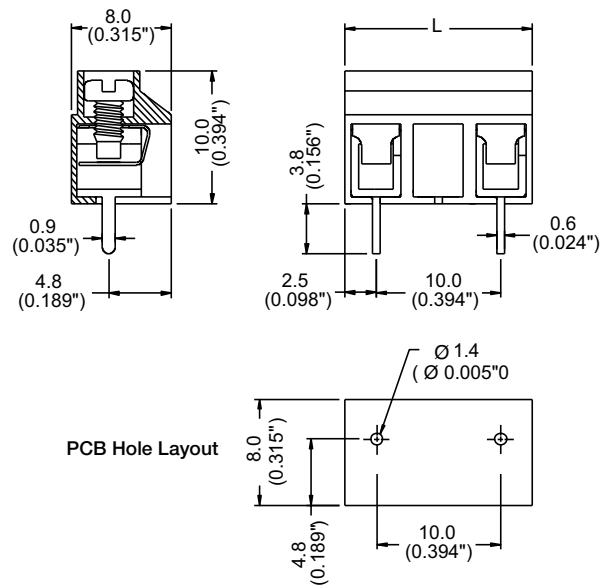


EM266106

Poles	L (mm)	Poles	L (mm)
2	15.0	8	75.0
3	25.0	9	85.0
4	35.0	10	95.0
5	45.0	11	105.0
6	55.0	12	115.0
7	65.0	13	125.0

To convert to inches, divide by 25.4

**Dimensions - mm (in)**



**Part Numbering System**



Terminal Blocks:  
Single Row

EuroMag Series  
Spring & Screw

Edge Connectors,  
One-Sided Boards

Compliance  
References

**EM3661 Series**  
**EuroMag Terminal Blocks**  
10.00 Centers; Modular

**SPECIFICATIONS**

**Rating:** 10A, 300V

**Center Spacing:** 0.394" (10.00mm)

**Wire Range:** #14-26 AWG

**Housing Material:** UL rated 94V0 Thermoplastic

**Contact Material:** Tin-Plated Brass

**Wire Protector:** Stainless Steel

**Screw Size:** M2.6 Zinc-Plated Steel

**Operating Temperature:** 105°C (221°F) max., -55°C (-40°F) min.

**Torque Rating:** 2.5 lb-in.

**Recommended PCB Hole Diameters:** 0.055" (1.40mm)

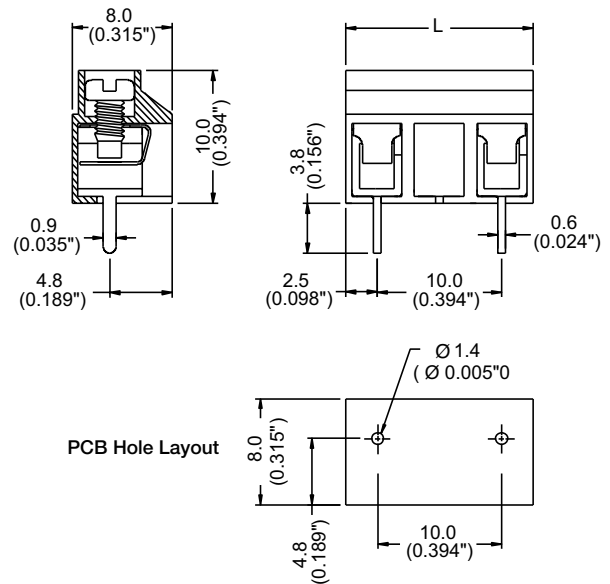
**Construction:** Modular design features dovetails for interlocking to achieve longer lengths

**Agency Information:** cULus File E62622; CE Certified



EM366102

**Dimensions - mm (in)**



Poles	L (mm)	Poles	L (mm)
2	15.0	9	50.0
3	25.0	10	55.0
4	35.0	11	60.0
5	45.0	12	65.0
6	55.0	13	70.0
7	65.0	14	75.0
8	75.0		

To convert to inches, divide by 25.4

**Part Numbering System**

Series

# of Poles

EM3661

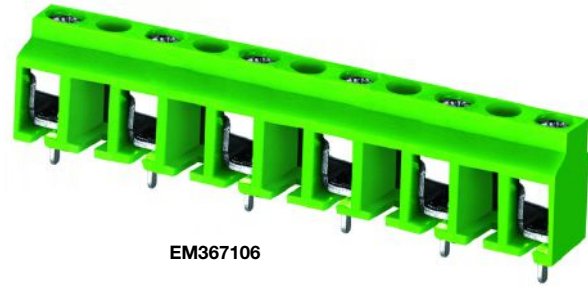
□□

02 to 14

**EM3671 Series**  
**EuroMag Terminal Blocks**  
 10.00 Centers

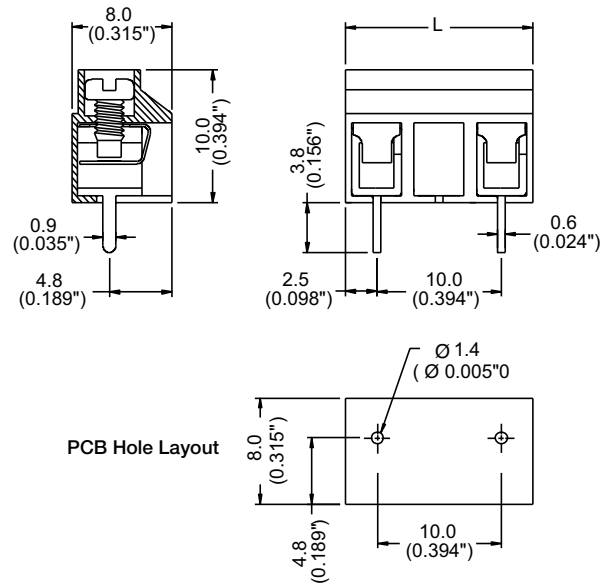
**SPECIFICATIONS**

- Rating:** 10A, 300V
- Center Spacing:** 0.394" (10.00mm)
- Wire Range:** #14-26 AWG
- Housing Material:** UL rated 94V0 Thermoplastic
- Contact Material:** Tin-Plated Brass
- Wire Protector:** Stainless Steel
- Screw Size:** M2.6 Zinc-Plated Steel
- Operating Temperature:** 105°C (221°F) max., -55°C (-40°F) min.
- Torque Rating:** 3.0 lb-in.
- Recommended PCB Hole Diameters:** 0.055" (1.40mm)
- Construction:** Mold-to-Length
- Agency Information:** e US File E62622; CE Certified



EM367106

**Dimensions - mm (in)**



Poles	L (mm)	Poles	L (mm)
2	15.0	8	75.0
3	25.0	9	85.0
4	35.0	10	95.0
5	45.0	11	105.0
6	55.0	12	115.0
7	65.0	13	125.0

To convert to inches, divide by 25.4

**Part Numbering System**



Terminal Blocks:  
Single Row

EuroMag Series  
Spring & Screw

Edge Connectors,  
One-Sided Boards

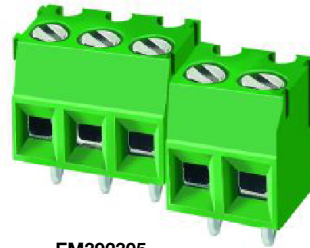
Compliance  
References



**EM3923 Series**  
**EuroMag Terminal Blocks**  
 3.50 Centers; Modular

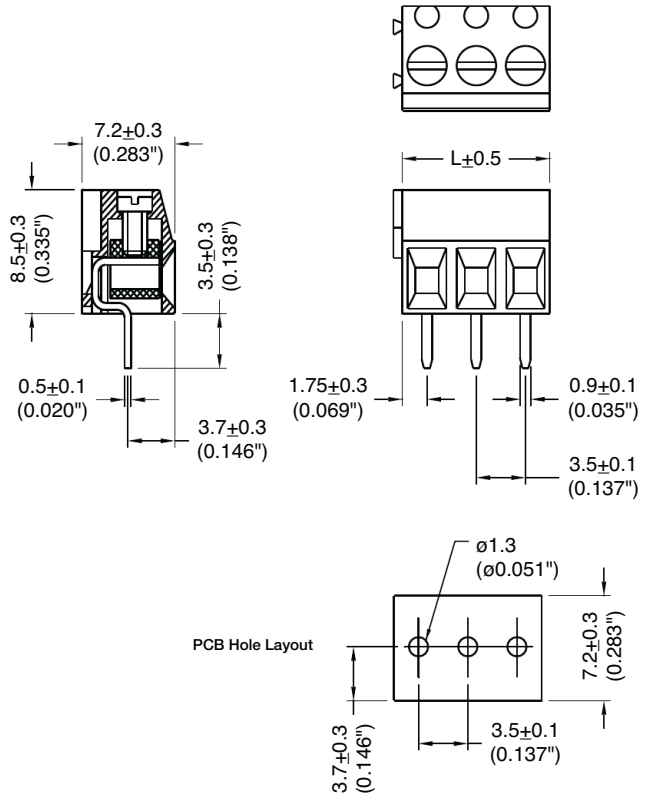
**SPECIFICATIONS**

- Rating:** 10A, 300V
- Center Spacing:** 0.138" (3.50mm)
- Wire Range:** #16-26 AWG
- Housing Material:** UL rated 94V0 Thermoplastic
- Contact Material:** Brass Tin-Plated
- Cage Material:** Brass, Nickel-Plated
- Screw Size:** M2.0 Zinc-Plated Steel
- Operating Temperature:** 105°C (221°F) max., -40°C (-67°F) min.
- Torque Rating:** 1.5 lb-in.
- Recommended PCB Hole Diameters:** 0.055" (1.40mm)
- Construction:** Modular design features dovetails for interlocking to achieve longer lengths
- Agency Information:** File E62622; CE Certified



EM392305

**Dimensions - mm (in)**



Poles	L (mm)	Poles	L (mm)
2	7.0	14	49.5
3	10.5	15	52.5
4	14.0	16	56.0
5	17.5	17	59.5
6	21.0	18	63.0
7	24.5	19	66.5
8	28.0	20	70.0
9	31.5	21	73.5
10	35.0	22	77.0
11	38.5	23	80.5
12	42.0	24	84.0
13	45.5		

To convert to inches, divide by 25.4

**Part Numbering System**



Terminal Blocks: Single Row

EuroMag Series Cage & Screw

Edge Connectors, One-Sided Boards

Compliance References

**EM3503 Series**  
**EuroMag Terminal Blocks**  
 3.81 Centers; Modular

**SPECIFICATIONS**

**Rating:** 8A, 300V

**Center Spacing:** 0.150" (3.81mm)

**Wire Size:** #16-26 AWG

**Housing Material:** UL rated 94V0 Thermoplastic

**Contact Material:** Brass Tin-Plated

**Screw Size:** M2.0 Zinc-Plated Steel

**Operating Temperature:** 105°C (221°F) max., -40°C (-40°F) min.

**Torque Rating:** 3.0 lb-in.

**Recommended PCB Hole Diameters:** 0.055" (1.40mm)

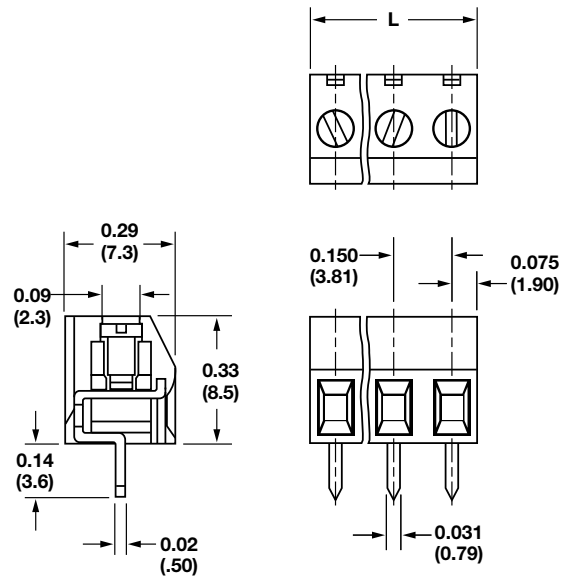
**Construction:** Modular design features dovetails for interlocking to achieve longer lengths

**Agency Information:** File E62622; CE Certified



EM350305

**Dimensions - in (mm)**



Poles	L (mm)	Poles	L (mm)
2	7.62	14	53.34
3	11.43	15	57.15
4	15.24	16	60.96
5	19.05	17	64.77
6	22.86	18	68.58
7	26.67	19	72.39
8	30.48	20	76.20
9	34.29	21	80.01
10	38.10	22	83.82
11	41.91	23	87.63
12	45.72	24	91.44
13	49.53		

To convert to inches, divide by 25.4

**Part Numbering System**

Series

# of Positions



02 to 24

Terminal Blocks:  
Single Row

EuroMag Series  
Cage & Screw

Edge Connectors,  
One-Sided Boards

Compliance  
References

**EM2585 Series**  
**EuroMag Terminal Blocks**  
 5.00 Centers; Modular

**SPECIFICATIONS**

**Rating:** 16A, 300V

**Center Spacing:** 0.197" (5.00mm)

**Wire Range:** #12-26 AWG

**Housing Material:** UL rated 94V0 Thermoplastic

**Contact Material:** Brass Tin-Plated

**Screw Size:** M2.6 Zinc-Plated Steel

**Operating Temperature:** 105°C (221°F) max., -40°C (-40°F) min.

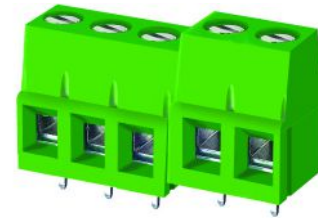
**Torque Rating:** 5.0 lb-in.

**Recommended PCB Hole Diameters:** 0.055" (1.40mm)

**Construction:** Modular design features dovetails for interlocking to achieve longer lengths

**Connector Style:** Rising Cage and screw

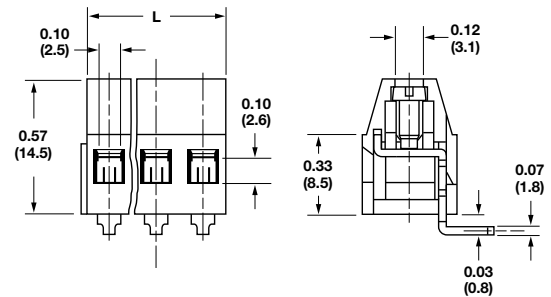
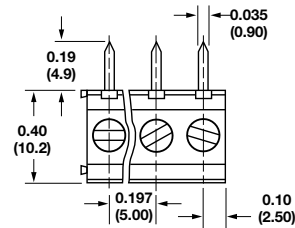
**Agency Information:** cULus File E62622; CE Certified



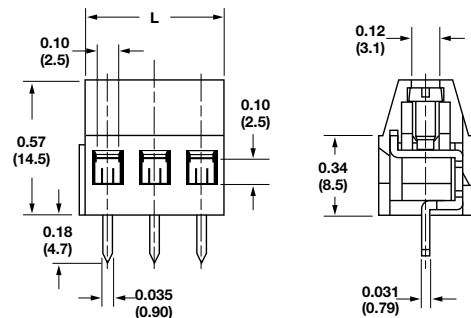
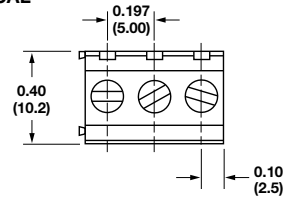
EM258505V

**Dimensions - in (mm)**

**HORIZONTAL**



**VERTICAL**



Position	L (mm)	Position	L (mm)
02	10.0	14	70.0
03	15.0	15	75.0
04	20.0	16	80.0
05	25.0	17	85.0
06	30.0	18	90.0
07	35.0	19	95.0
08	40.0	20	100.0
09	45.0	21	105.0
10	50.0	22	110.0
11	55.0	23	115.0
12	60.0	24	120.0
13	65.0		

To convert to inches, divide by 25.4

**Part Numbering System**

Series	# of Positions	Orientation
EM2585	<input type="checkbox"/> <input type="checkbox"/>	<input type="checkbox"/>
	02 to 24	H - horizontal V - vertical

Terminal Blocks:  
Single Row

EuroMag Series  
Cage & Screw

Edge Connectors,  
One-Sided Boards

Compliance  
References

**EM3225 Series**  
**EuroMag Terminal Blocks**  
 35° Angle; 5.00 Centers; Modular

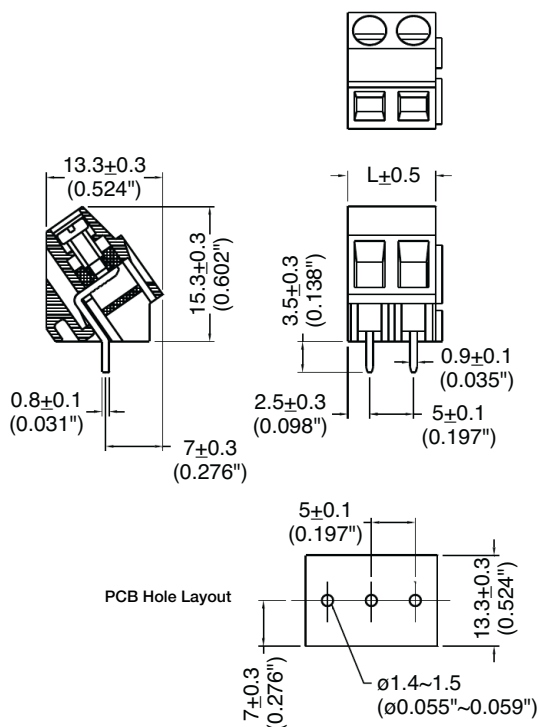
**SPECIFICATIONS**

- Rating:** 16A, 300V
- Center Spacing:** 0.197" (5.00mm)
- Wire Range:** #12-26 AWG
- Housing Material:** UL rated 94V0 Thermoplastic
- Contact Material:** Brass Tin-Plated
- Cage Material:** Brass, Nickel-Plated
- Screw Size:** M2.6 Zinc-Plated Steel
- Operating Temperature:** 105°C (221°F) max., -40°C (-40°F) min.
- Torque Rating:** 5 lb-in.
- Recommended PCB Hole Diameters:** 0.055" (1.40mm)
- Construction:** Modular design features dovetails for interlocking to achieve longer lengths
- Agency Information:** File E62622; CE Certified



EM322505

**Dimensions - mm (in)**



Poles	L (mm)	Poles	L (mm)
2	10.0	14	70.0
3	15.0	15	75.0
4	20.0	16	80.0
5	25.0	17	85.0
6	30.0	18	90.0
7	35.0	19	95.0
8	40.0	20	100.0
9	45.0	21	105.0
10	50.0	22	110.0
11	55.0	23	115.0
12	60.0	24	120.0
13	65.0		

To convert to inches, divide by 25.4

**Part Numbering System**



Terminal Blocks:  
Single Row

EuroMag Series  
Cage & Screw

Edge Connectors,  
One-Sided Boards

Compliance  
References

**EM2205 Series**

**EuroMag Terminal Blocks**

45° Angle, 5.00 Centers, Modular

**SPECIFICATIONS**

**Rating:** 10A, 300V

**Center Spacing:** 0.197" (5.00mm)

**Wire Range:** #12-24 AWG

**Housing Material:** Grey Polyamide Type 6/6, 94V0

**Contact Material:** Brass Tin-Plated

**Cage Material:** Brass, Tin-Plated

**Screw Size:** M2.6 Zinc-Plated Steel

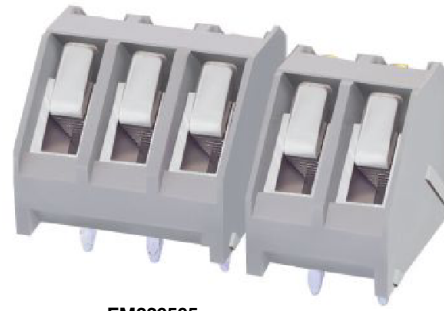
**Operating Temperature:** 105°C (221°F) max., -33°C (-27°F) min.

**Torque Rating:** 3.5 lb-in.

**Recommended PCB Hole Diameters:** 0.055" (1.40mm)

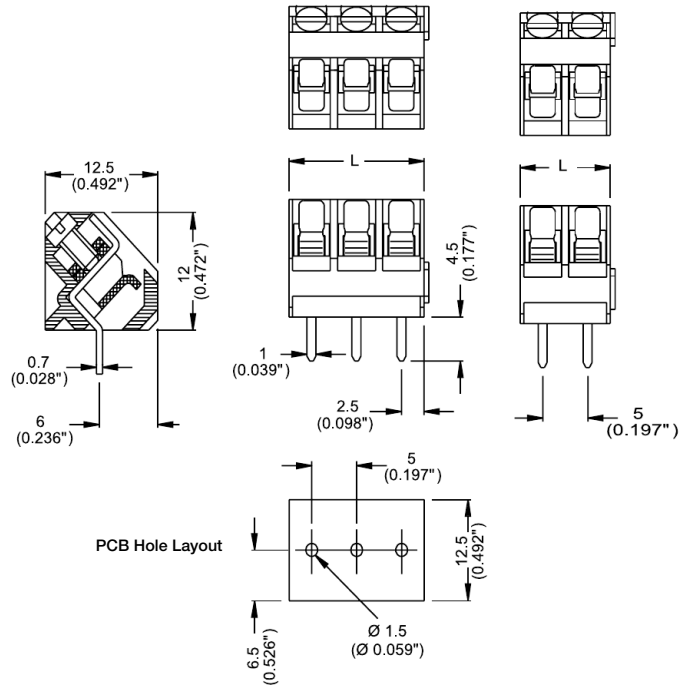
**Construction:** Modular design features dovetails for interlocking to achieve longer lengths

**Agency Information:** US File E62622; CE Certified



EM220505

**Dimensions - mm (in)**



Poles	L (mm)	Poles	L (mm)
2	10.0	14	70.0
3	15.0	15	75.0
4	20.0	16	80.0
5	25.0	17	85.0
6	30.0	18	90.0
7	35.0	19	95.0
8	40.0	20	100.0
9	45.0	21	105.0
10	50.0	22	110.0
11	55.0	23	115.0
12	60.0	24	120.0
13	65.0		

To convert to inches, divide by 25.4

**Part Numbering System**

Series

# of Poles

**EM2205**

02 to 24

Terminal Blocks:  
Single Row

EuroMag Series  
Cage & Screw

Edge Connectors,  
One-Sided Boards

Compliance  
References

## EM2505 Series EuroMag Terminal Blocks

5.08 Centers; Modular

### SPECIFICATIONS

**Rating:** 16A, 300V

**Center Spacing:** 0.20" (5.08mm)

**Wire Range:** #12-26 AWG

**Housing Material:** UL rated 94V0 Thermoplastic

**Contact Material:** Brass Tin-Plated

**Screw Size:** M2.6 Zinc-Plated Steel

**Operating Temperature:** 105°C (221°F) max., -40°C (-40°F) min.

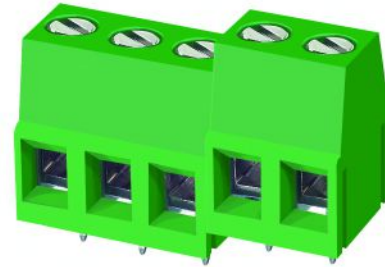
**Torque Rating:** 5.0 lb-in.

**Recommended PCB Hole Diameters:** 0.055" (1.40mm)

**Construction:** Modular design features dovetails for interlocking to achieve longer lengths

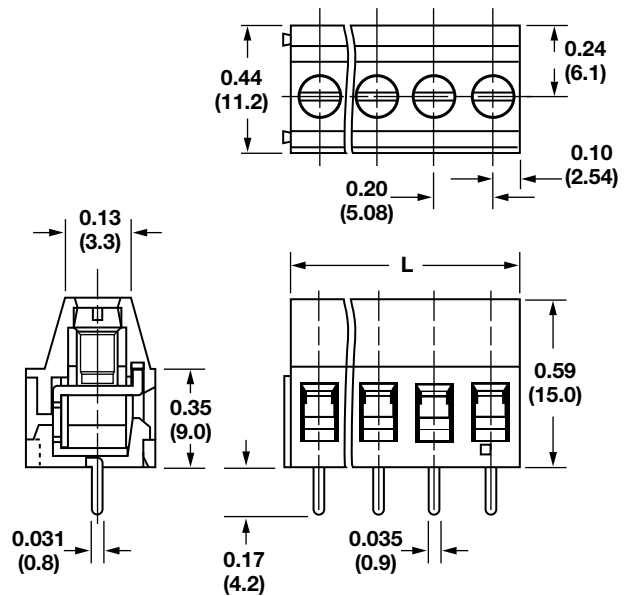
**Connector Style:** Rising Cage and Screw

**Agency Information:** File E62622; CE Certified



EM250505V

### Dimensions - in (mm)



Position	L (mm)	Position	L (mm)
02	10.16	14	71.12
03	15.24	15	76.20
04	20.32	16	81.28
05	25.40	17	86.36
06	30.48	18	91.44
07	35.56	19	96.52
08	40.64	20	101.60
09	45.72	21	106.68
10	50.80	22	111.76
11	55.88	23	116.84
12	60.96	24	121.92
13	66.04		

To convert to inches, divide by 25.4

## Part Numbering System

Series

**EM2505**

# of Positions

02 to 24

Orientation

V - vertical

Terminal Blocks:  
Single Row

EuroMag Series  
Cage & Screw

Edge Connectors,  
One-Sided Boards

Compliance  
References



**EM3228 Series**  
**EuroMag Terminal Blocks**  
 35° Angle; 5.08 Centers; Modular

**SPECIFICATIONS**

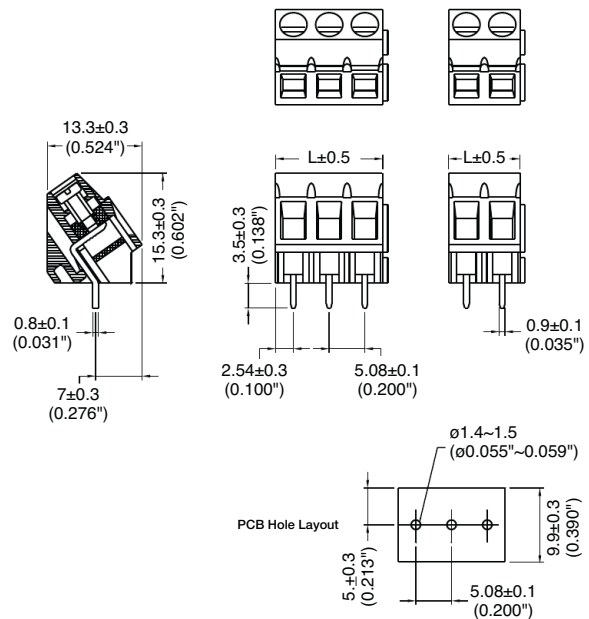
**Rating:** 16A, 300V  
**Center Spacing:** 0.20" (5.08mm)  
**Wire Range:** #12-26 AWG  
**Housing Material:** UL rated 94V0 Thermoplastic  
**Contact Material:** Brass Tin-Plated  
**Cage Material:** Brass, Nickel-Plated  
**Screw Size:** M2.6 Zinc-Plated Steel  
**Operating Temperature:** 105°C (221°F) max., -40°C (-40°F) min.  
**Torque Rating:** 5 lb-in.

**Recommended PCB Hole Diameters:** 0.055" (1.40mm)  
**Construction:** Modular design features dovetails for interlocking to achieve longer lengths  
**Agency Information:** e-NS File E62622; CE Certified



EM322805

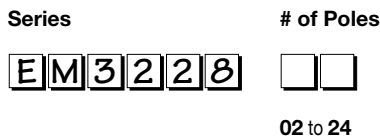
**Dimensions - mm (in)**



Poles	L (mm)	Poles	L (mm)
2	10.16	14	72.12
3	15.24	15	76.20
4	20.32	16	81.28
5	25.40	17	86.36
6	30.48	18	91.44
7	35.56	19	96.52
8	40.64	20	101.60
9	45.72	21	106.68
10	50.80	22	111.76
11	55.88	23	116.84
12	60.96	24	121.92
13	66.04		

To convert to inches, divide by 25.4

**Part Numbering System**



Terminal Blocks:  
Single Row

EuroMag Series  
Cage & Screw

Edge Connectors,  
One-Sided Boards

Compliance  
References

**EM2507 Series**  
**EuroMag Terminal Blocks**  
 7.50 Centers; Modular

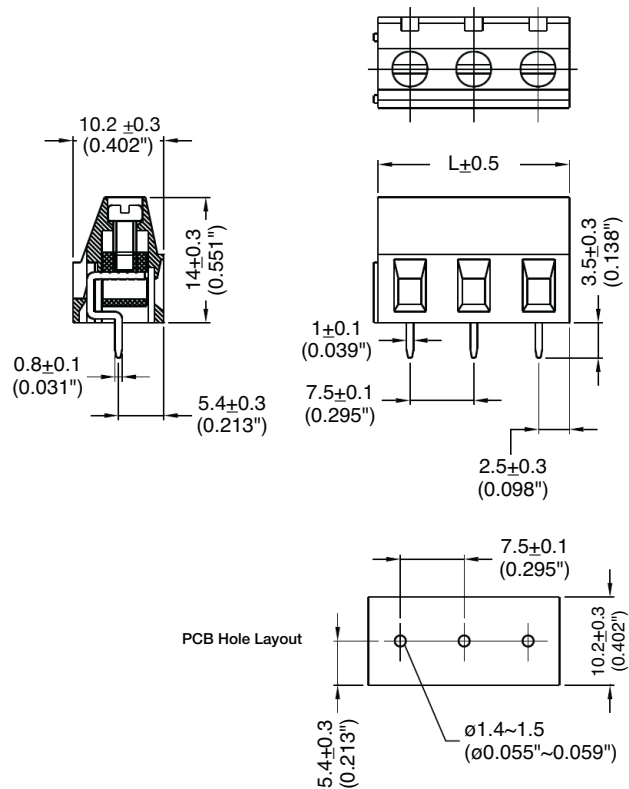
**SPECIFICATIONS**

- Rating:** 16A, 300V
- Center Spacing:** 0.295" (7.50mm)
- Wire Range:** #12-26 AWG
- Housing Material:** UL rated 94V0 Thermoplastic
- Contact Material:** Brass Tin-Plated
- Cage Material:** Brass, Nickel-Plated
- Screw Size:** M2.6 Zinc-Plated Steel
- Operating Temperature:** 105°C (221°F) max., -40°C (-40°F) min.
- Torque Rating:** 5.0 lb-in.
- Recommended PCB Hole Diameters:** 0.055" (1.40mm)
- Construction:** Modular design features dovetails for interlocking to achieve longer lengths
- Agency Information:** File E62622; CE Certified



EM250705

**Dimensions - mm (in)**



Poles	L (mm)	Poles	L (mm)
2	15.0	14	105.0
3	22.5	15	112.5
4	33.0	16	120.0
5	37.5	17	127.5
6	45.0	18	133.0
7	52.5	19	142.5
8	60.0	20	150.0
9	67.5	21	157.5
10	75.0	22	165.0
11	82.5	23	172.5
12	90.0	24	180.0
13	97.5		

To convert to inches, divide by 25.4

**Part Numbering System**

Series                      # of Poles

**EM2507**                 

02 to 24

Terminal Blocks:  
Single Row

EuroMag Series  
Cage & Screw

Edge Connectors,  
One-Sided Boards

Compliance  
References

**EM3227 Series**  
**EuroMag Terminal Blocks**  
 35° Angle, 7.50 Centers; Modular

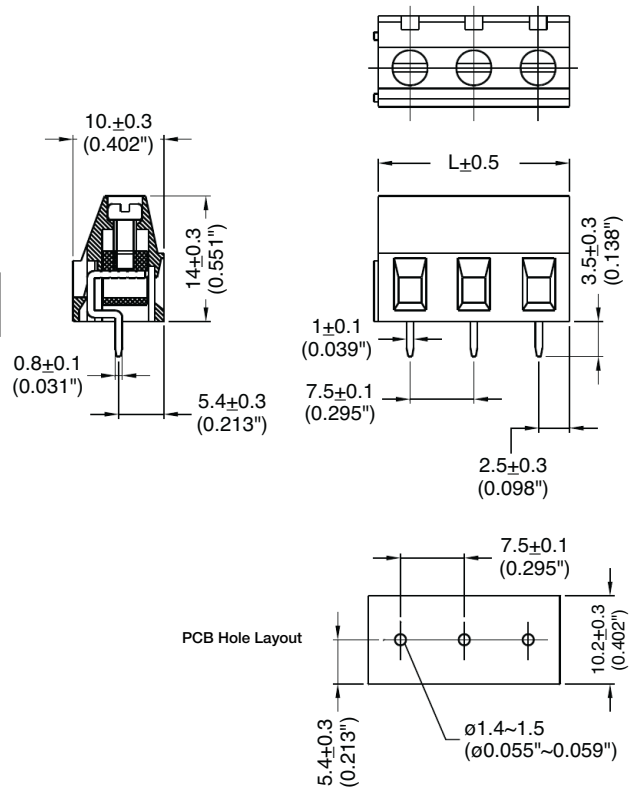
**SPECIFICATIONS**

- Rating:** 16A, 300V
- Center Spacing:** 0.295" (7.50mm)
- Wire Range:** #12-26 AWG
- Housing Material:** UL rated 94V0 Thermoplastic
- Contact Material:** Brass Tin-Plated
- Cage Material:** Brass, Nickel-Plated
- Screw Size:** M2.6 Zinc-Plated Steel
- Operating Temperature:** 105°C (221°F) max., -40°C (-40°F) min.
- Torque Rating:** 5.0 lb-in.
- Recommended PCB Hole Diameters:** 0.055" (1.40mm)
- Construction:** Modular design features dovetails for interlocking to achieve longer lengths
- Agency Information:** File E62622; CE Certified



EM322705

**Dimensions - mm (in)**



Poles	L (mm)	Poles	L (mm)
2	15.0	14	105.0
3	22.5	15	112.5
4	33.0	16	120.0
5	37.5	17	127.5
6	45.0	18	133.0
7	52.5	19	142.5
8	60.0	20	150.0
9	67.5	21	157.5
10	75.0	22	165.0
11	82.5	23	172.5
12	90.0	24	180.0
13	97.5		

To convert to inches, divide by 25.4

**Part Numbering System**



Terminal Blocks:  
Single Row

EuroMag Series  
Cage & Screw

Edge Connectors,  
One-Sided Boards

Compliance  
References

**EM2506 Series**  
**EuroMag Terminal Blocks**  
 7.62 Centers; Modular

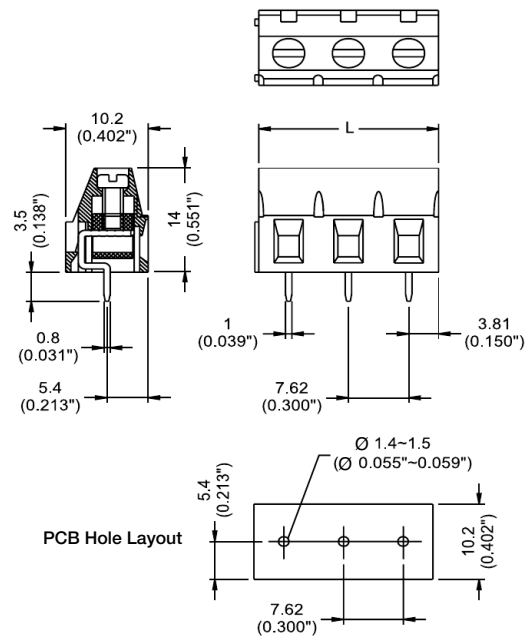
**SPECIFICATIONS**

- Rating:** 16A, 300V
- Center Spacing:** 0.30" (7.62mm)
- Wire Range:** #14-26 2WG
- Housing Material:** UL rated 94V0 Thermoplastic
- Contact Material:** Brass Tin-Plated
- Cage Material:** Brass, Nickel-Plated
- Screw Size:** M2.6 Zinc-Plated Steel
- Operating Temperature:** 105°C (221°F) max., -40°C (-40°F) min.
- Torque Rating:** 5.0 lb-in.
- Recommended PCB Hole Diameters:** 0.055" (1.40mm)
- Construction:** Modular design features dovetails for interlocking to achieve longer lengths
- Agency Information:** E62622; CE Certified



EM250605

**Dimensions - mm (in)**



Poles	L (mm)	Poles	L (mm)
2	15.24	14	106.69
3	22.86	15	114.31
4	30.48	16	121.93
5	38.10	17	129.55
6	45.72	18	137.17
7	53.34	19	144.79
8	60.96	20	152.41
9	68.58	21	160.03
10	76.20	22	167.65
11	83.82	23	175.27
12	91.44	24	182.89
13	99.07		

To convert to inches, divide by 25.4

**Part Numbering System**



Terminal Blocks:  
Single Row

EuroMag Series  
Cage & Screw

Edge Connectors,  
One-Sided Boards

Compliance  
References

**EM3226 Series**  
**EuroMag Terminal Blocks**  
 35° Angle, 7.62 Centers; Modular

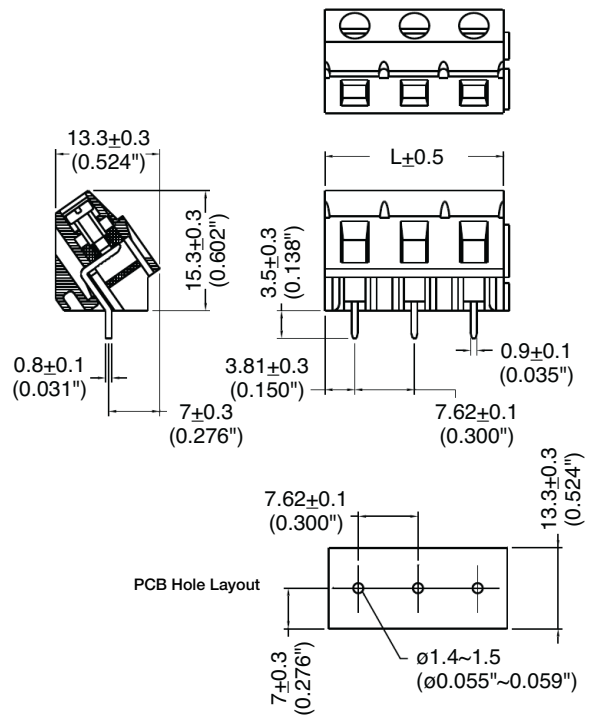
**SPECIFICATIONS**

- Rating:** 16A, 300V
- Center Spacing:** 0.30" (7.62mm)
- Wire Range:** #12-26 AWG
- Housing Material:** UL rated 94V0 Thermoplastic
- Contact Material:** Brass Tin-Plated
- Cage Material:** Brass, Nickel-Plated
- Screw Size:** M2.6 Zinc-Plated Steel
- Operating Temperature:** 105°C (221°F) max., -40°C (-40°F) min.
- Torque Rating:** 5.0 lb-in.
- Recommended PCB Hole Diameters:** 0.055" (1.40mm)
- Construction:** Modular design features dovetails for interlocking to achieve longer lengths
- Agency Information:** File E62622; CE Certified



EM322605

**Dimensions - mm (in)**



Poles	L (mm)	Poles	L (mm)
2*	15.24	14	106.69
3*	22.86	15	114.31
4	30.48	16	121.93
5	38.10	17	129.55
6	45.72	18	137.17
7	53.34	19	144.79
8	60.96	20	152.41
9	68.58	21	160.03
10	76.20	22	167.65
11	83.82	23	175.27
12	91.44	24	182.89
13	99.07		

\* Mold-to-Length  
 To convert to inches, divide by 25.4

**Part Numbering System**



Terminal Blocks: Single Row

EuroMag Series Cage & Screw

Edge Connectors, One-Sided Boards

Compliance References

## EM2403 Series EuroMag Terminal Blocks

Two Tier; 3.81 Centers; Modular

### SPECIFICATIONS

**Rating:** 10A, 300V

**Center Spacing:** 0.150" (3.81mm)

**Wire Range:** #16-26 AWG

**Housing Material:** UL rated 94V0 Thermoplastic

**Contact Material:** Brass Tin-Plated

**Cage Material:** Brass, Nickel-Plated

**Screw Size:** M2.0 Zinc-Plated Steel

**Operating Temperature:** 105°C (221°F) max., -40°C (-40°F) min.

**Torque Rating:** 5.0 lb-in.

**Recommended PCB Hole Diameters:** 0.055" (1.40mm)

**Construction:** Modular design features dovetails for interlocking to achieve longer lengths

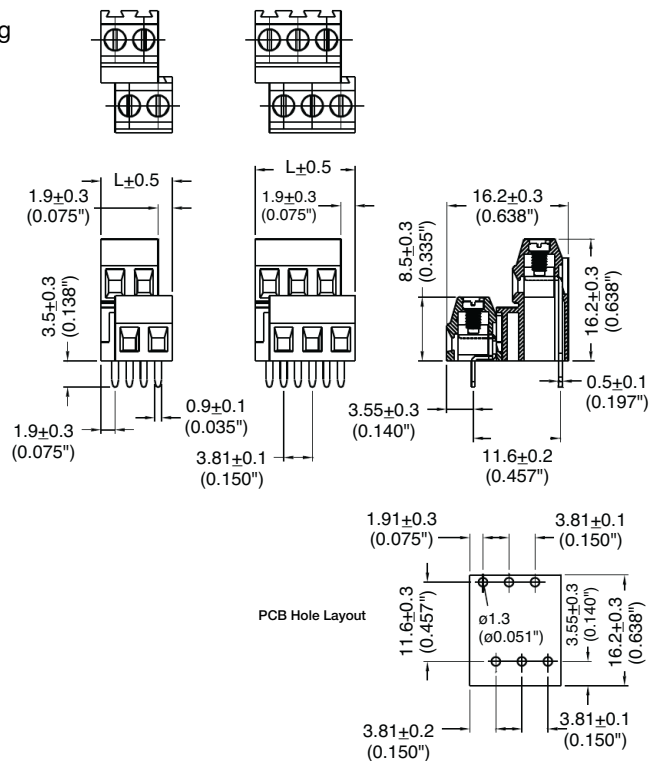
**Agency Information:** File E62622; CE Certified



EM240308

EM240304

### Dimensions - mm (in)



Poles	L (mm)	Poles	L (mm)
2	9.53	8	32.39
3	13.34	9	36.20
4	17.15	10	40.00
5	20.96	11	43.80
6	24.77	12	47.60
7	28.58		

To convert to inches, divide by 25.4

## Part Numbering System

Series

# of Poles

EM2403

□□

02 - 12

Terminal Blocks:  
Single Row

EuroMag Series  
Two & Three Tier

Edge Connectors,  
One-Sided Boards

Compliance  
References



**EM2803 Series**  
**EuroMag Terminal Blocks**  
 Three Tier; 3.81 Centers; Modular

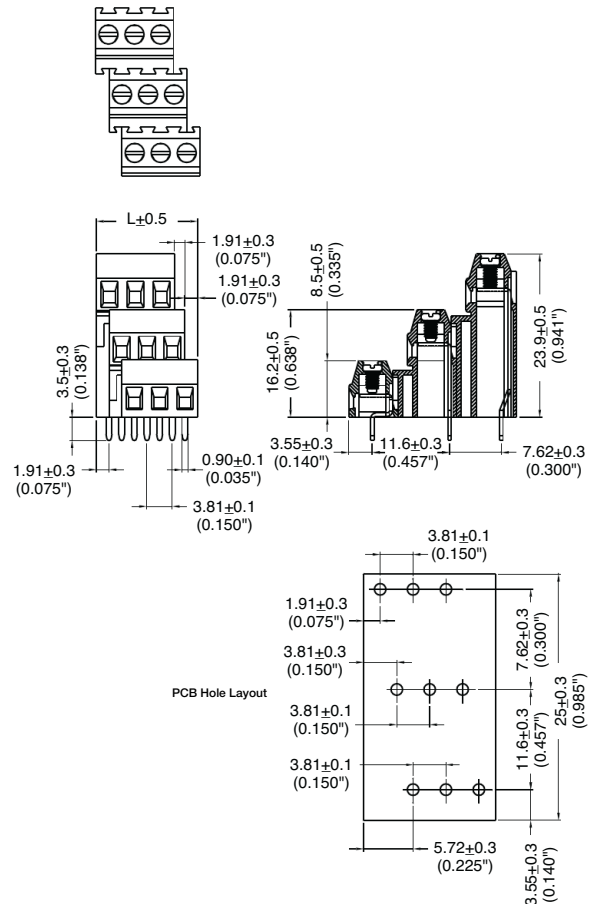
**SPECIFICATIONS**

- Rating:** 10A, 300V
- Center Spacing:** 0.150" (3.81mm)
- Wire Range:** #16-26 AWG
- Housing Material:** UL rated 94V0 Thermoplastic
- Contact Material:** Brass Tin-Plated
- Cage Material:** Brass, Nickel-Plated
- Screw Size:** M2.0 Zinc-Plated Steel
- Operating Temperature:** 105°C (221°F) max., -40°C (-40°F) min.
- Torque Rating:** 2.0 lb-in.
- Recommended PCB Hole Diameters:** 0.055" (1.40mm)
- Construction:** Modular design features dovetails for interlocking to achieve longer lengths
- Agency Information:** e US File E62622; CE Certified



EM280302

**Dimensions - mm (in)**



Poles	L (mm)	Poles	L (mm)
2	11.43	8	34.29
3	15.24	9	38.10
4	19.05	10	41.90
5	22.86	11	45.70
6	26.67	12	49.50
7	30.48		

To convert to inches, divide by 25.4

**Part Numbering System**

Series                      # of Poles

**EM2803**                     

02 - 12

Terminal Blocks: Single Row

EuroMag Series Two & Three Tier

Edge Connectors, One-Sided Boards

Compliance References

**EM2445 Series**  
**EuroMag Terminal Blocks**

Two Tier; 5.00 Centers; Modular

**SPECIFICATIONS**

**Rating:** 16A, 300V

**Center Spacing:** 0.197" (5.00mm)

**Wire Range:** #12-26 AWG

**Housing Material:** UL rated 94V0 Thermoplastic

**Contact Material:** Tin Plated Brass

**Screw Size:** M2.6 Zinc-Plated Steel

**Operating Temperature:** 105°C (221°F) max., -40°C (-40°F) min.

**Torque Rating:** 5.0 lb-in.

**Recommended PCB Hole Diameters:** 0.055" (1.40mm)

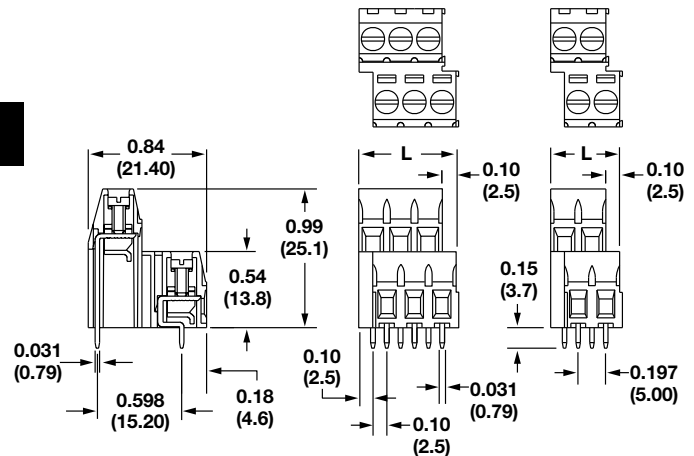
**Construction:** Modular design features dovetails for interlocking to achieve longer lengths

**Connector Style:** Rising Cage and Screw

**Agency Information:** File E62622; CE Certified



Dimensions - in (mm)



Poles	L (mm)	Poles	L (mm)
2	12.5	13	67.5
3	17.5	14	72.5
4	22.5	15	77.5
5	27.5	16	82.5
6	32.5	17	87.5
7	37.5	18	92.5
8	42.5	19	97.5
9	47.5	20	102.5
10	52.5	21	107.5
11	57.5	22	112.5
12	62.5	23	117.5
		24	122.5

To convert to inches, divide by 25.4

**Part Numbering System**

Series

# of Poles

EM2445

□□

02 to 24

Terminal Blocks:  
Single Row

EuroMag Series  
Two & Three Tier

Edge Connectors,  
One-Sided Boards

Compliance  
References

**EM2448 Series**  
**EuroMag Terminal Blocks**

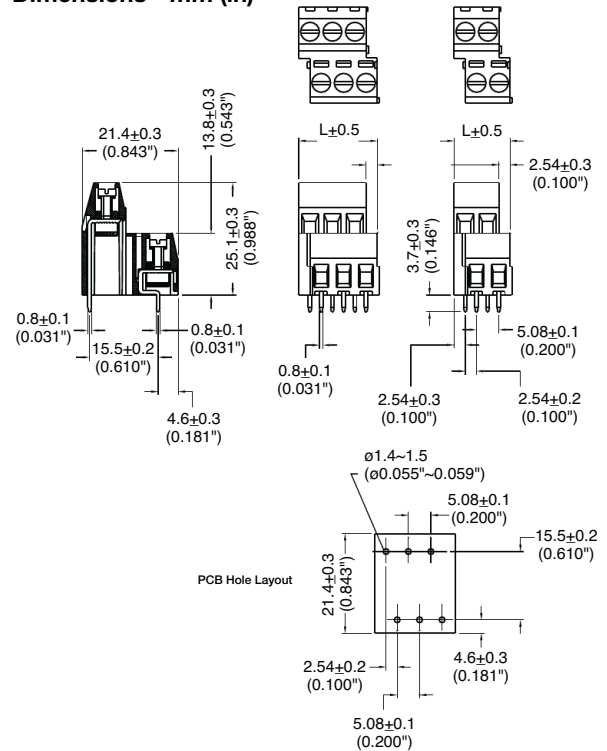
Two Tier; 5.08 Centers; Modular

**SPECIFICATIONS**

- Rating:** 16A, 300V
- Center Spacing:** 0.20" (5.08mm)
- Wire Range:** #12-26 AWG
- Housing Material:** UL rated 94V0 Thermoplastic
- Contact Material:** Brass Tin-Plated
- Cage Material:** Brass, Nickel-Plated
- Screw Size:** M2.6 Zinc-Plated Steel
- Operating Temperature:** 105°C (221°F) max., -40°C (-40°F) min.
- Torque Rating:** 5.0 lb-in.
- Recommended PCB Hole Diameters:** 0.055" (1.40mm)
- Construction:** Modular design features dovetails for interlocking to achieve longer lengths
- Agency Information:** File E62622; CE Certified



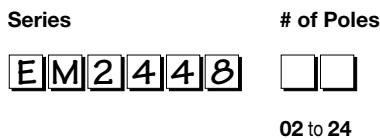
**Dimensions - mm (in)**



Poles	L (mm)	Poles	L (mm)
2	10.16	14	71.12
3	15.24	15	76.20
4	20.32	16	81.28
5	25.40	17	86.36
6	30.48	18	91.44
7	35.56	19	96.52
8	40.64	20	101.60
9	45.72	21	106.68
10	50.80	22	111.76
11	55.88	23	116.84
12	60.96	24	121.92
13	66.04		

To convert to inches, divide by 25.4

**Part Numbering System**



Terminal Blocks: Single Row

EuroMag Series: Two & Three Tier

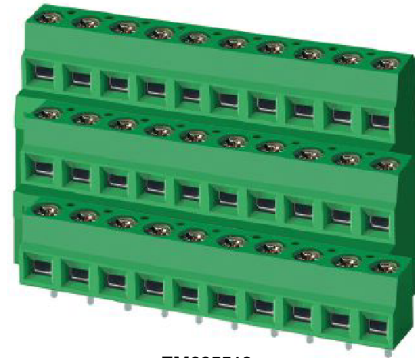
Edge Connectors, One-Sided Boards

Compliance References

**EM2855 Series**  
**EuroMag Terminal Blocks**  
 Three Tier; 5.00 Centers

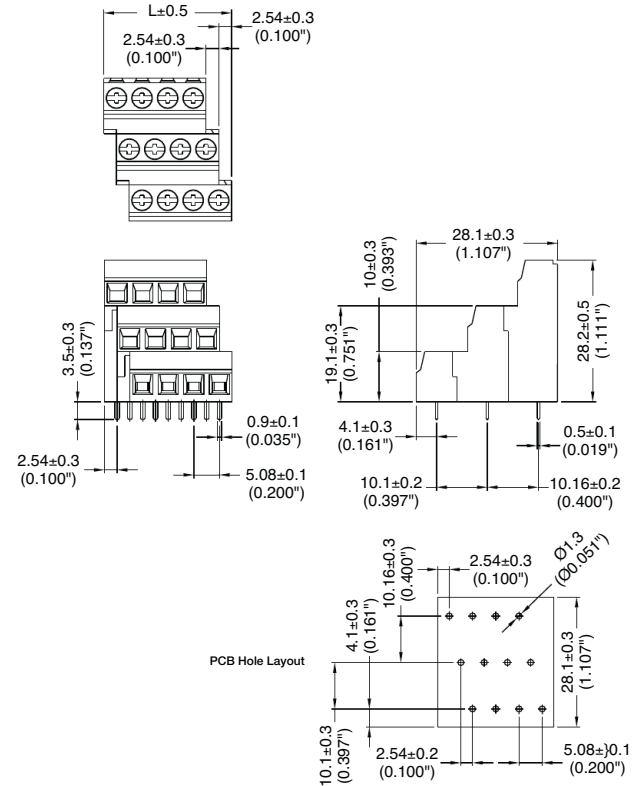
**SPECIFICATIONS**

- Rating:** 16A, 300V
- Center Spacing:** 0.197" (5.00mm)
- Wire Range:** #14-26 AWG
- Housing Material:** UL rated 94V0 Thermoplastic
- Contact Material:** Brass Tin-Plated
- Cage Material:** Brass Nickel-Plated
- Screw Size:** M2.6 Zinc-Plated Steel
- Operating Temperature:** 105°C max., -55°C min.
- Torque Rating:** 4.5 lb-in
- Recommended PCB Hole Diameters:** 1.30mm (0.051")
- Construction:** Mold-to-Length
- Agency Information:** File E62622; CE Certified



EM285510

**Dimensions - mm (in)**



Poles	L (mm)
2	12.5
3	17.5
4	22.5
5	27.5
6	32.5

To convert to inches, divide by 25.4

**Part Numbering System**

Series                      # of Poles

**EM2855**                     

02 to 06

Terminal Blocks:  
 Single Row

EuroMag Series  
 Two & Three Tier

Edge Connectors,  
 One-Sided Boards

Compliance  
 References

**EM2905 Series**  
**EuroMag Terminal Blocks**

High Current; 5.00 Centers; Modular

**SPECIFICATIONS**

**Rating:** 25A, 300V

**Center Spacing:** 0.197" (5.00mm)

**Wire Range:** #10-24 AWG

**Housing Material:** UL rated 94V0 Thermoplastic

**Contact Material:** Brass Tin-Plated

**Cage Material:** Brass, Nickel-Plated

**Screw Size:** M2.6 Zinc-Plated Steel

**Operating Temperature:** 105°C (221°F) max., -40°C (-40°F) min.

**Torque Rating:** 6.0 lb-in.

**Recommended PCB Hole Diameters:** 0.055" (1.40mm)

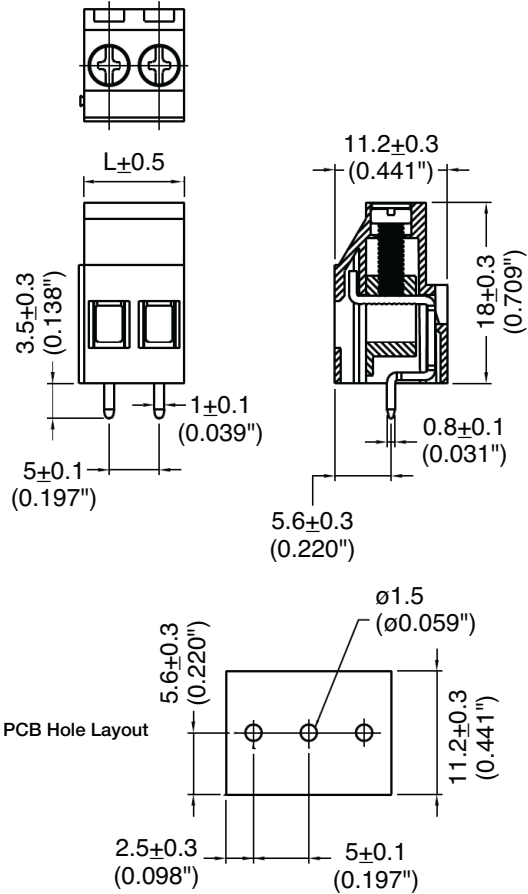
**Construction:** Modular design features dovetails for interlocking to achieve longer lengths

**Agency Information:** File E62622; CE Certified



EM290508

**Dimensions - mm (in)**



Poles	L (mm)	Poles	L (mm)
2	10.0	14	70.0
3	15.0	15	75.0
4	20.0	16	80.0
5	25.0	17	85.0
6	30.0	18	90.0
7	35.0	19	95.0
8	40.0	20	100.0
9	45.0	21	105.0
10	50.0	22	110.0
11	55.0	23	115.0
12	60.0	24	120.0
13	65.0		

To convert to inches, divide by 25.4

**Part Numbering System**

Series

# of Poles

EM2905

□□

02 to 24

Terminal Blocks:  
Single Row

EuroMag Series  
High Current

Edge Connectors,  
One-Sided Boards

Compliance  
References

**EM2908 Series  
EuroMag Terminal Blocks**

High Current; 5.08 Centers; Modular

**SPECIFICATIONS**

**Rating:** 25A, 300V

**Center Spacing:** 0.20" (5.08mm)

**Wire Range:** #10-24 AWG

**Housing Material:** UL rated 94V0 Thermoplastic

**Contact Material:** Brass Tin-Plated

**Cage Material:** Brass, Nickel-Plated

**Screw Size:** M2.6 Zinc-Plated Steel

**Operating Temperature:** 105°C (221°F) max., -40°C (-40°F) min.

**Torque Rating:** 6.0 lb-in.

**Recommended PCB Hole Diameters:** 0.055" (1.40mm)

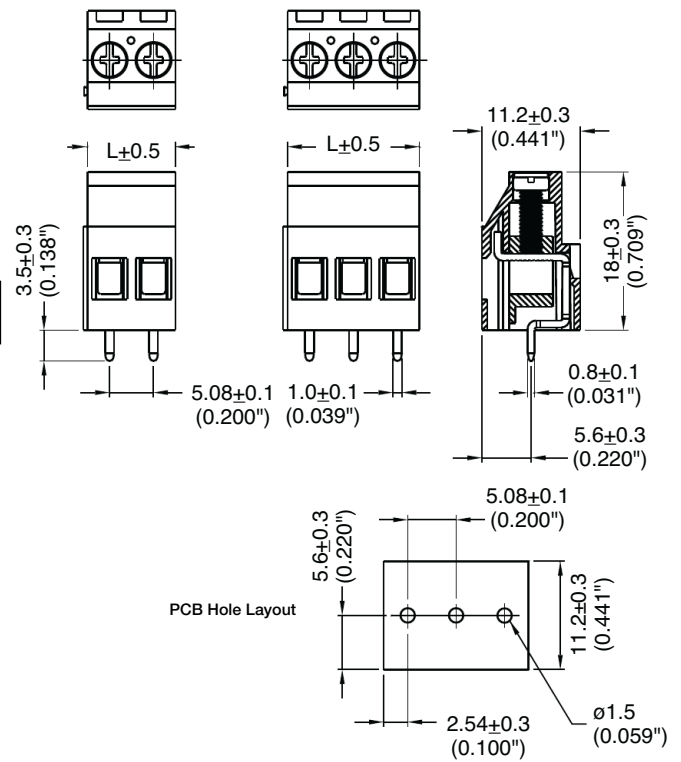
**Construction:** Modular design features dovetails for interlocking to achieve longer lengths

**Agency Information:** File E62622; CE Certified



EM290808

**Dimensions - mm (in)**



Poles	L (mm)	Poles	L (mm)
2	10.16	14	71.12
3	15.24	15	76.20
4	20.32	16	81.28
5	25.40	17	86.36
6	30.48	18	91.44
7	35.56	19	96.52
8	40.64	20	101.60
9	45.72	21	106.68
10	50.80	22	111.76
11	55.88	23	116.84
12	60.96	24	121.92
13	66.04		

To convert to inches, divide by 25.4

**Part Numbering System**

Series

# of Poles

EM2908

□□

02 to 24

Terminal Blocks:  
Single Row

EuroMag Series  
High Current

Edge Connectors,  
One-Sided Boards

Compliance  
References

**EM9126 Series**  
**EuroMag Terminal Blocks**  
 6.35 Centers; Modular

**SPECIFICATIONS**

**Rating:** 30A, 300V

**Center Spacing:** 0.250" (6.35mm)

**Wire Range:** #10-24 AWG

**Housing Material:** UL rated 94V0 Thermoplastic

**Contact Material:** Brass Tin-Plated

**Cage Material:** Brass, Nickel-Plated

**Screw Size:** M3.0 Zinc-Plated Steel

**Operating Temperature:** 105°C (221°F) max., -40°C (-40°F) min.

**Torque Rating:** 5.5 lb-in.

**Recommended PCB Hole Diameters:** 0.071" (1.80mm)

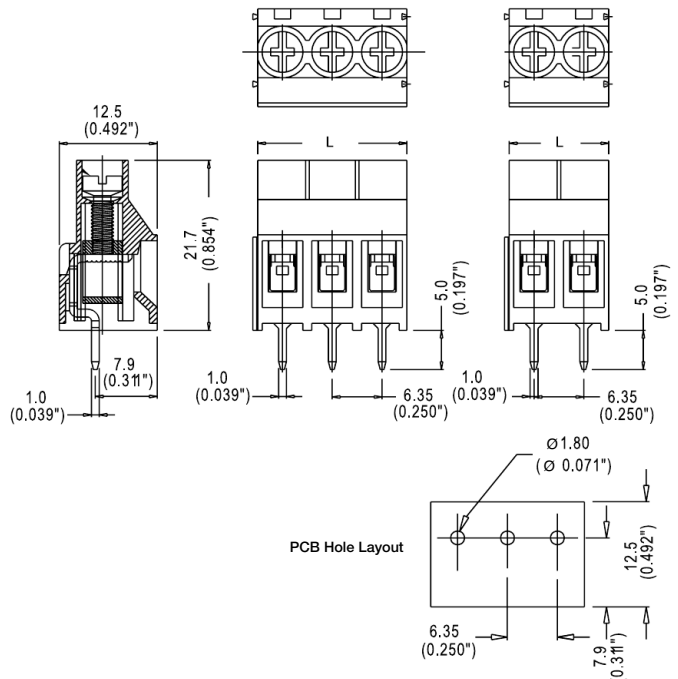
**Construction:** Modular design features dovetails for interlocking to achieve longer lengths

**Agency Information:** File E62622; CE Certified



EM912605

**Dimensions - mm (in)**



Poles	L (mm)	Poles	L (mm)
2	12.70	14	88.90
3	19.05	15	95.25
4	25.40	16	101.60
5	31.75	17	107.95
6	38.10	18	114.30
7	44.45	19	120.65
8	50.80	20	127.00
9	57.15	21	133.35
10	63.50	22	139.70
11	69.85	23	146.05
12	76.20	24	152.40
13	82.55		

To convert to inches, divide by 25.4

**Part Numbering System**

Series

# of Poles

**EM9126**

02 to 24

Terminal Blocks:  
Single Row

EuroMag Series  
High Current

Edge Connectors,  
One-Sided Boards

Compliance  
References



**EM9127 Series**  
**EuroMag Terminal Blocks**  
 7.50 Centers; Modular

**SPECIFICATIONS**

**Rating:** 30A, 300V

**Center Spacing:** 0.29" (7.50mm)

**Wire Range:** #10-24 AWG

**Housing Material:** UL rated 94V0 Thermoplastic

**Contact Material:** Brass Tin-Plated

**Cage Material:** Brass, Nickel-Plated

**Screw Size:** M3.5 Zinc-Plated Steel

**Operating Temperature:** 105°C (221°F) max., -40°C (-40°F) min.

**Torque Rating:** 5.5 lb-in.

**Recommended PCB Hole Diameters:** 0.071" (1.80mm)

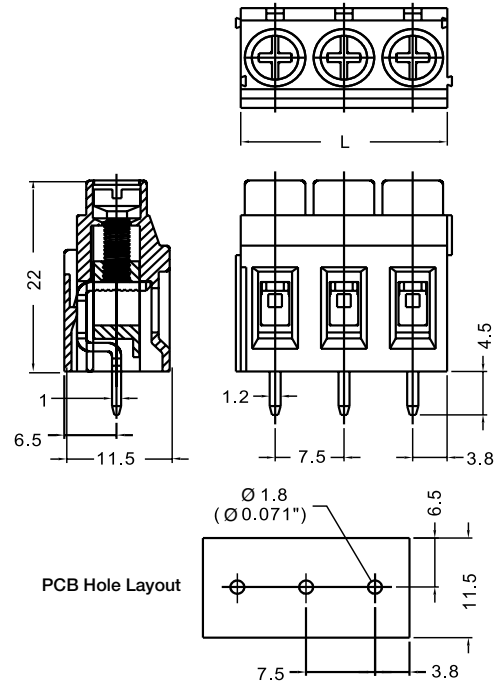
**Construction:** Modular design features dovetails for interlocking to achieve longer lengths

**Agency Information:** File E62622; CE Certified



EM912705

**Dimensions - mm**



Poles	L (mm)	Poles	L (mm)
2	15.0	14	105.0
3	22.5	15	112.5
4	30.0	16	120.0
5	37.5	17	127.5
6	45.0	18	135.0
7	52.5	19	142.5
8	60.0	20	150.0
9	67.5	21	157.5
10	75.0	22	165.0
11	82.5	23	172.5
12	90.0	24	180.0
13	97.5		

To convert to inches, divide by 25.4

**Part Numbering System**



Terminal Blocks:  
Single Row

EuroMag Series  
High Current

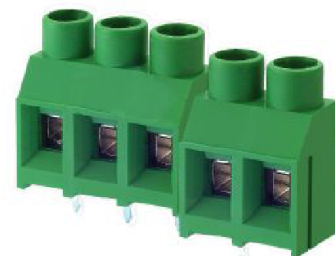
Edge Connectors,  
One-Sided Boards

Compliance  
References

**EM9128 Series**  
**EuroMag Terminal Blocks**  
 7.62 Centers; Modular

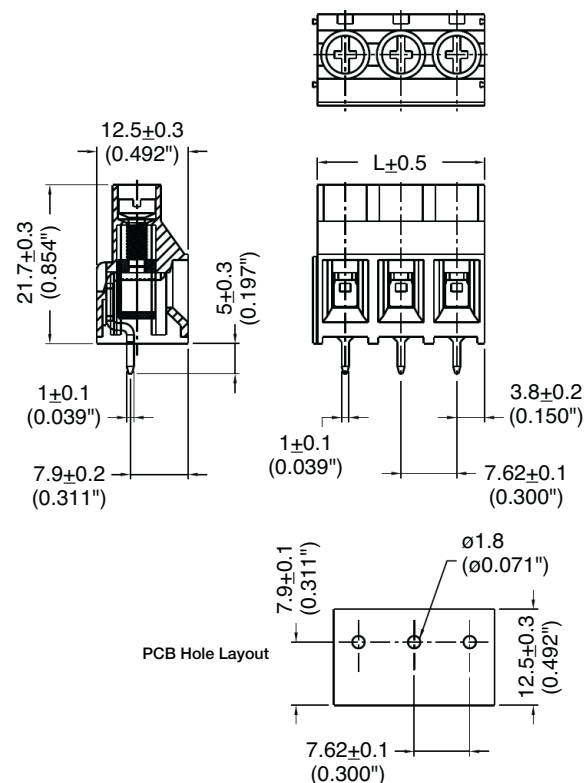
**SPECIFICATIONS**

- Rating:** 30A, 300V
- Center Spacing:** 0.30" (7.62mm)
- Wire Range:** #10-24 AWG
- Housing Material:** UL rated 94V0 Thermoplastic
- Contact Material:** Brass Tin-Plated
- Cage Material:** Brass, Nickel-Plated
- Screw Size:** M3.0 Zinc-Plated Steel
- Operating Temperature:** 105°C (221°F) max., -40°C (-40°F) min.
- Torque Rating:** 5.5 lb-in.
- Recommended PCB Hole Diameters:** 0.071" (1.80mm)
- Construction:** Modular design features dovetails for interlocking to achieve longer lengths
- Agency Information:** File E62622; CE Certified



EM912805

**Dimensions - mm (in)**



Poles	L (mm)	Poles	L (mm)
2	15.24	14	106.68
3	22.86	15	114.30
4	30.48	16	121.92
5	38.10	17	129.54
6	45.72	18	137.16
7	53.34	19	144.78
8	60.96	20	152.40
9	68.58	21	160.02
10	76.20	22	167.64
11	83.82	23	175.26
12	91.44	24	182.88
13	99.06		

To convert to inches, divide by 25.4

**Part Numbering System**



Terminal Blocks: Single Row

EuroMag Series High Current

Edge Connectors, One-Sided Boards

Compliance References

**EM2909 Series**  
**EuroMag Terminal Blocks**

35° Angle; 9.52 Centers; Modular

**SPECIFICATIONS**

**Rating:** 30A, 600V

**Center Spacing:** 0.375" (9.52mm)

**Wire Range:** #10-24 AWG

**Housing Material:** UL rated 94V0 Thermoplastic

**Contact Material:** Brass Tin-Plated

**Cage Material:** Steel, Nickel-Plated

**Screw Size:** M3.0 Zinc-Plated Steel

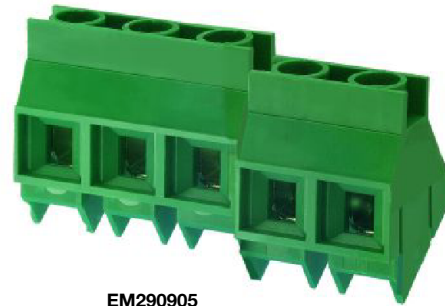
**Operating Temperature:** 105°C (221°F) max., -40°C (-40°F) min.

**Torque Rating:** 9.0 lb-in.

**Recommended PCB Hole Diameters:** 0.055" (1.40mm)

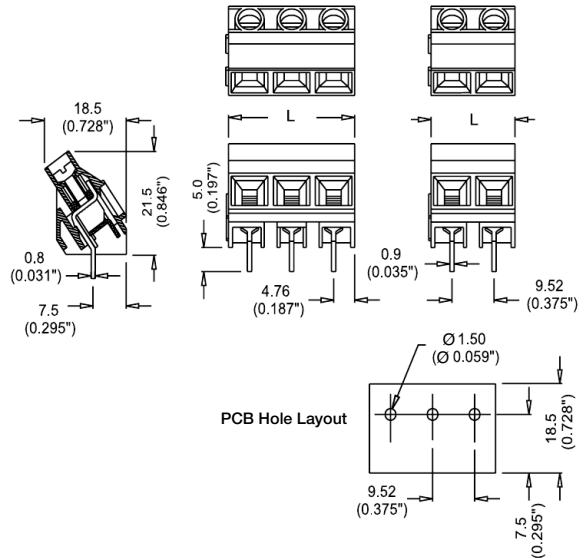
**Construction:** Modular design features dovetails for interlocking to achieve longer lengths

**Agency Information:** E62622; CE Certified



EM290905

**Dimensions - mm (in)**



Poles	L (mm)	Poles	L (mm)
2	19.04	14	133.28
3	28.56	15	142.80
4	38.08	16	152.32
5	47.60	17	161.84
6	57.12	18	171.36
7	66.64	19	180.88
8	76.16	20	190.40
9	85.68	21	199.92
10	95.20	22	209.44
11	104.72	23	218.96
12	114.24	24	228.48
13	123.76		

To convert to inches, divide by 25.4

**Part Numbering System**

Series

# of Poles

EM2909

□□

02 to 24

Terminal Blocks:  
Single Row

EuroMag Series  
High Current

Edge Connectors,  
One-Sided Boards

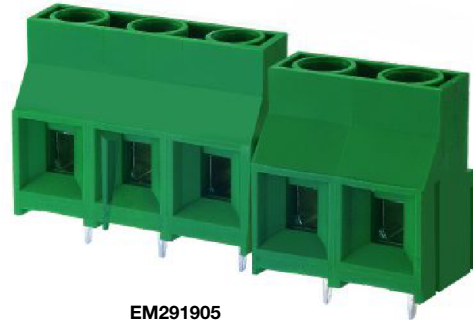
Compliance  
References

**EM2919 Series**  
**EuroMag Terminal Blocks**  
 9.52 Centers; Modular

**SPECIFICATIONS**

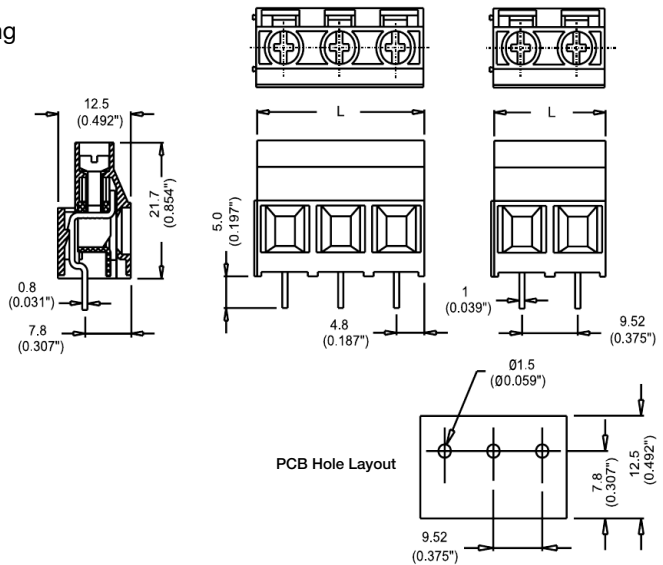
**Rating:** 30A, 600V  
**Center Spacing:** 0.375" (9.52mm)  
**Wire Range:** #10-24 AWG  
**Housing Material:** UL rated 94V0 Thermoplastic  
**Contact Material:** Brass Tin-Plated  
**Cage Material:** Steel, Nickel-Plated  
**Screw Size:** M3.0 Zinc-Plated Steel  
**Operating Temperature:** 105°C (221°F) max., -40°C (-40°F) min.

**Torque Rating:** 9.0 lb-in.  
**Recommended PCB Hole Diameters:** 0.055" (1.40mm)  
**Construction:** Modular design features dovetails for interlocking to achieve longer lengths  
**Agency Information:** US File E62622; CE Certified



EM291905

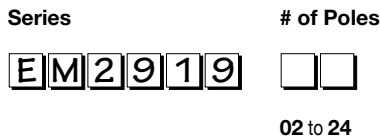
**Dimensions - mm (in)**



Poles	L (mm)	Poles	L (mm)
2	19.04	14	133.28
3	28.56	15	142.80
4	38.08	16	152.32
5	47.60	17	161.84
6	57.12	18	171.36
7	66.64	19	180.88
8	76.16	20	190.40
9	85.68	21	199.92
10	95.20	22	209.44
11	104.72	23	218.96
12	114.24	24	228.48
13	123.76		

To convert to inches, divide by 25.4

**Part Numbering System**



Terminal Blocks:  
Single Row

EuroMag Series  
High Current

Edge Connectors,  
One-Sided Boards

Compliance  
References

**EM2929 Series  
EuroMag Terminal Blocks**

Hi-Current; 10.16 Centers

**SPECIFICATIONS**

**Rating:** 65A, 300V

**Center Spacing:** 0.40" (10.16mm)

**Wire Range:** #6-20 AWG

**Housing Material:** UL rated 94V0 Thermoplastic

**Contact Material:** Tin-Plated Copper

**Cage Material:** Steel, Chromate Plated

**Screw Size:** M4 Stainless Steel

**Operating Temperature:** 105°C (221°F) max., -40°C (-40°F) min.

**Torque Rating:** 15 lb-in.

**Recommended PCB Hole Diameters:** 0.055" (1.40mm)

**Construction:** Mold to length

**Agency Information:** File E62622; CE Certified

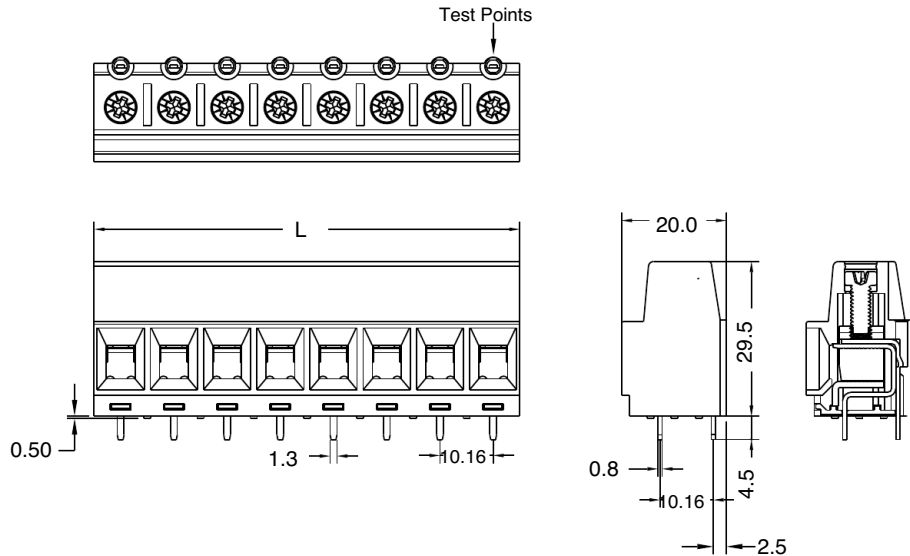


EM292908

**Dimensions - mm**

Poles	L (mm)
2	20.34
3	30.50
4	40.66
5	50.82
6	60.98
7	71.14
8	81.30

To convert to inches, divide by 25.4



**Part Numbering System**

Series

# of Poles

EM2929

□□ - UL

02 to 08

Terminal Blocks:  
Single Row

EuroMag Series  
High Current

Edge Connectors,  
One-Sided Boards

Compliance  
References

**EM2939 Series**  
**EuroMag Terminal Blocks**

Hi-Current, 15.00 Centers

**SPECIFICATIONS**

**Rating:** 115A, 600V with No Bottom Cover (NC) Option.

**Center Spacing:** 0.591" (15.00mm)

**Wire Range:** #2-20 AWG

**Housing Material:** UL rated 94V0 Thermoplastic

**Contact Material:** Tin-Plated Copper

**Cage Material:** Steel, Chromate-Plated

**Screw Size:** M5 Stainless Steel

**Operating Temperature:** 105°C (221°F) max., -40°C

(-40°F) min.

**Torque Rating:** 15 lb-in.

**Recommended PCB Hole Diameters:** 0.063" (1.60mm)

**Construction:** Mold to length

**Agency Information:** cULus File E62622; CE Certified



EM293908

Terminal Blocks:  
Single Row

EuroMag Series  
High Current

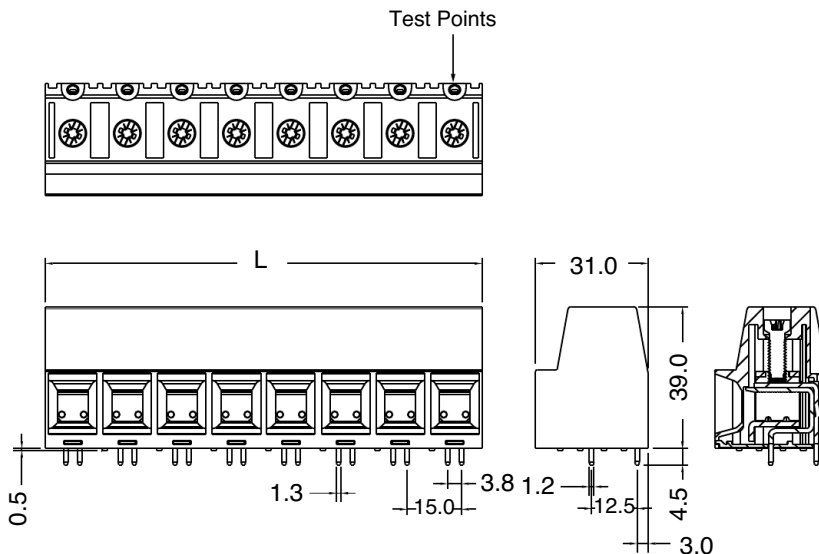
Edge Connectors,  
One-Sided Boards

Compliance  
References

Poles	L (mm)
2	30.0
3	45.0
4	60.0
5	75.0
6	90.0
7	105.0
8	120.0

To convert to inches, divide by 25.4

**Dimensions - mm**



**Part Numbering System**

Series

# of Poles

EM2939

□□

02 to 08

**EM3905 Series**  
**EuroMag Terminal Blocks**

High Current; Two Tier; 5.00 Centers; Modular

**SPECIFICATIONS**

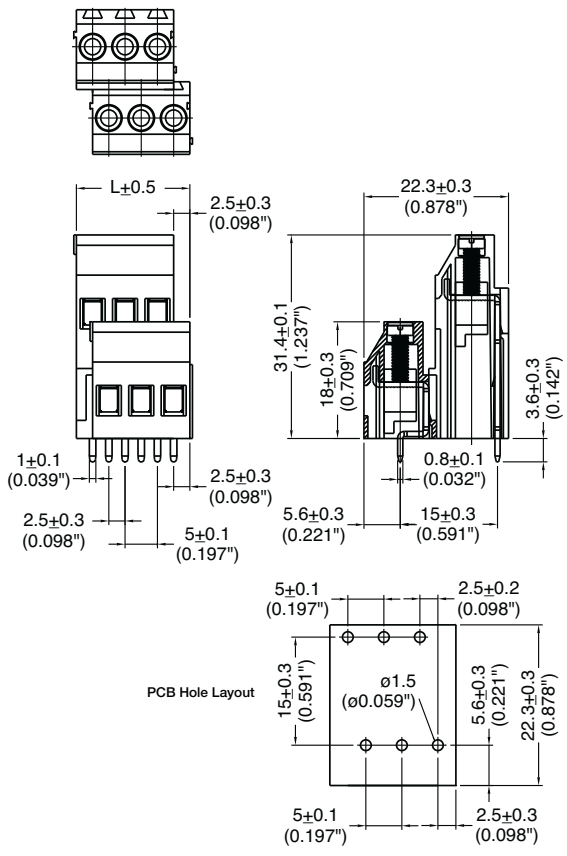
- Rating:** 25A, 300V
- Center Spacing:** 0.197" (5.00mm)
- Wire Range:** #10-24 AWG
- Housing Material:** UL rated 94V0 Thermoplastic
- Contact Material:** Tin-Plated Brass
- Cage Material:** Brass, Nickel-Plated
- Screw Size:** M2.6 Zinc-Plated Steel
- Operating Temperature:** 105°C (221°F) max., -40°C (-40°F) min.
- Torque Rating:** 6.0 lb-in.
- Recommended PCB Hole Diameters:** 0.055" (1.40mm)
- Construction:** Modular design features dovetails for interlocking to achieve longer lengths
- Agency Information:** File E62622; CE Certified



EM390508

EM390504

**Dimensions - mm (in)**



Poles	L (mm)	Poles	L (mm)
2	12.5	14	72.5
3	17.5	15	77.5
4	22.5	16	82.5
5	27.5	17	87.5
6	32.5	18	92.5
7	37.5	19	97.5
8	42.5	20	102.5
9	47.5	21	107.5
10	52.5	22	112.4
11	57.5	23	117.5
12	62.5	24	122.5
13	67.5		

To convert to inches, divide by 25.4

**Part Numbering System**



Terminal Blocks:  
Single Row

EuroMag Series  
High Current

Edge Connectors,  
One-Sided Boards

Compliance  
References



## EM3908 Series EuroMag Terminal Blocks

High Current; Two-Tier; 5.08 Centers; Modular

### SPECIFICATIONS

**Rating:** 25A, 300V

**Center Spacing:** 0.20" (5.08mm)

**Wire Range:** #10-24 AWG

**Housing Material:** UL rated 94V0 Thermoplastic

**Contact Material:** Brass Tin-Plated

**Cage Material:** Brass, Nickel-Plated

**Screw Size:** M2.6 Zinc-Plated Steel

**Operating Temperature:** 105°C (221°F) max., -40°C (-40°F) min.

**Torque Rating:** 6.0 lb-in.

**Recommended PCB Hole Diameters:** 0.055" (1.40mm)

**Construction:** Modular design features dovetails for interlocking to achieve longer lengths

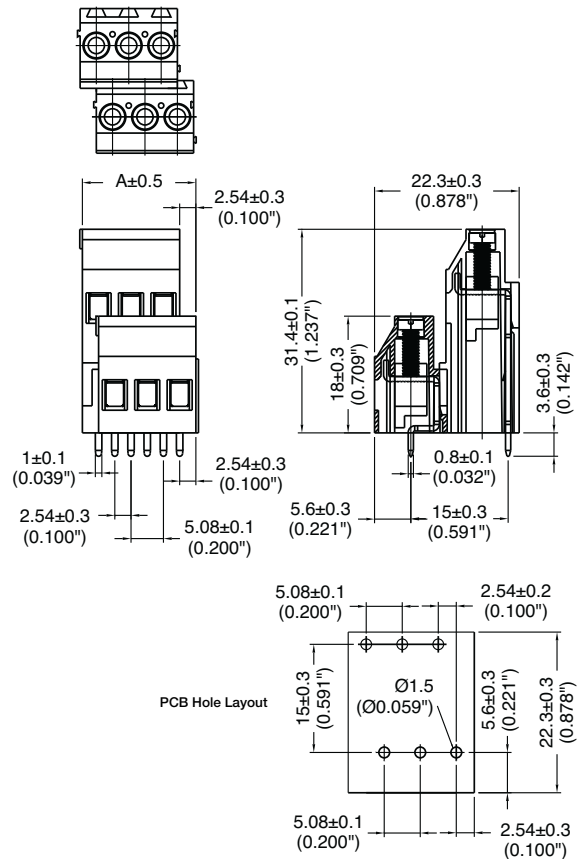
**Agency Information:** cULus File E62622; CE Certified



EM390808

EM390804

### Dimensions - mm (in)



Poles	L (mm)	Poles	L (mm)
2	10.16	14	71.12
3	15.24	15	76.20
4	20.32	16	81.28
5	25.40	17	86.36
6	30.48	18	91.44
7	35.56	19	96.52
8	40.64	20	101.60
9	45.72	21	106.68
10	50.80	22	111.76
11	55.88	23	116.84
12	60.96	24	121.92
13	66.04		

To convert to inches, divide by 25.4

## Part Numbering System

Series

# of Poles

EM3908

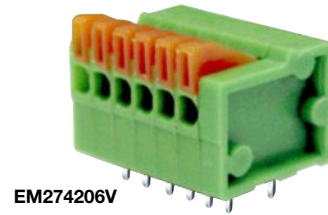
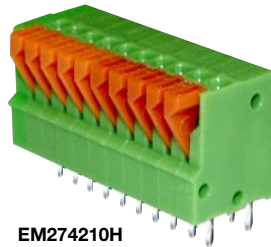
□□

02 to 24

**EM2742 Series**  
**EuroMag Terminal Blocks**  
 Screwless; 2.54 Centers

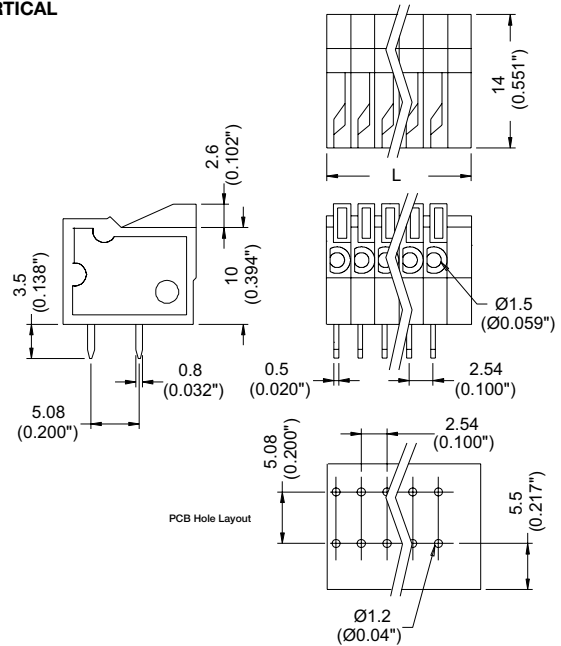
**SPECIFICATIONS**

- Rating:** 6A, 150V
- Center Spacing:** 0.10" (2.54mm)
- Wire Range:** #20-26 AWG
- Housing Material:** UL rated 94V0 Thermoplastic
- Contact Material:** Tin-Plated Brass
- Spring Material:** Stainless Steel
- Operating Temperature:** 105°C (221°F) max., -40°C (-40°F) min.
- Recommended PCB Hole Diameters:** 0.051" (1.30mm)
- Construction:** Mold-to-Length
- Agency Information:** US File E62622; CE Certified

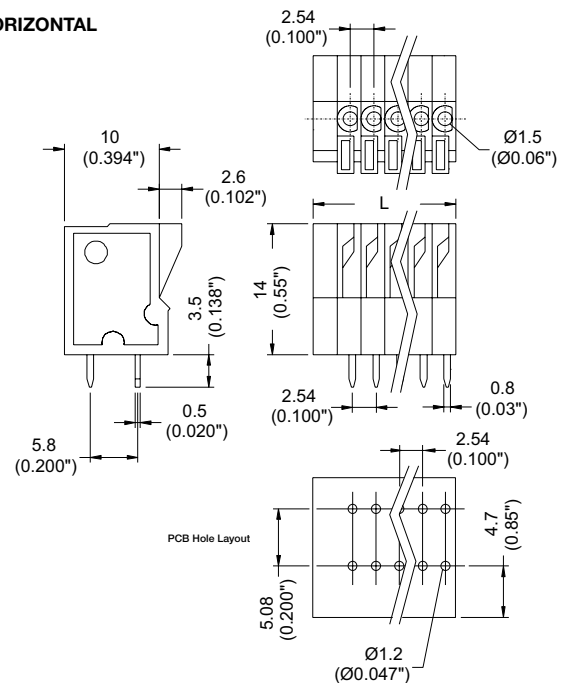


**Dimensions - mm (in)**

**VERTICAL**



**HORIZONTAL**



Poles	L (mm)	Poles	L (mm)
2	8.08	10	30.94
3	10.62	11	33.48
4	13.16	12	36.02
5	15.70	13	38.56
6	18.24	14	41.10
7	33.48	15	43.64
8	30.94	16	46.18
9	28.40		

To convert to inches, divide by 25.4

**Part Numbering System**

<b>Series</b>	<b># of Poles</b>	<b>Orientation</b>
<b>EM2742</b>	<input type="checkbox"/> <input type="checkbox"/>	<input type="checkbox"/>
	<b>02 to 16</b>	<b>H - horizontal</b> <b>V - vertical</b>

Terminal Blocks:  
Single Row

EuroMag Series  
Screwless

Edge Connectors,  
One-Sided Boards

Compliance  
References

**EM2783 Series**  
**EuroMag Terminal Blocks**

45° Entry; Screwless; 3.50 Centers

**SPECIFICATIONS**

**Rating:** 6A, 300V

**Center Spacing:** 0.136" (3.50mm)

**Wire Range:** #14-20 AWG

**Housing Material:** UL rated 94V0 Thermoplastic

**Contact Material:** Tin Plated Phos Bronze

**Operating Temperature:** 105°C (221°F) max., -40°C (-40°F) min.

**Recommended PCB Hole Diameters:** 0.051" (1.30mm)

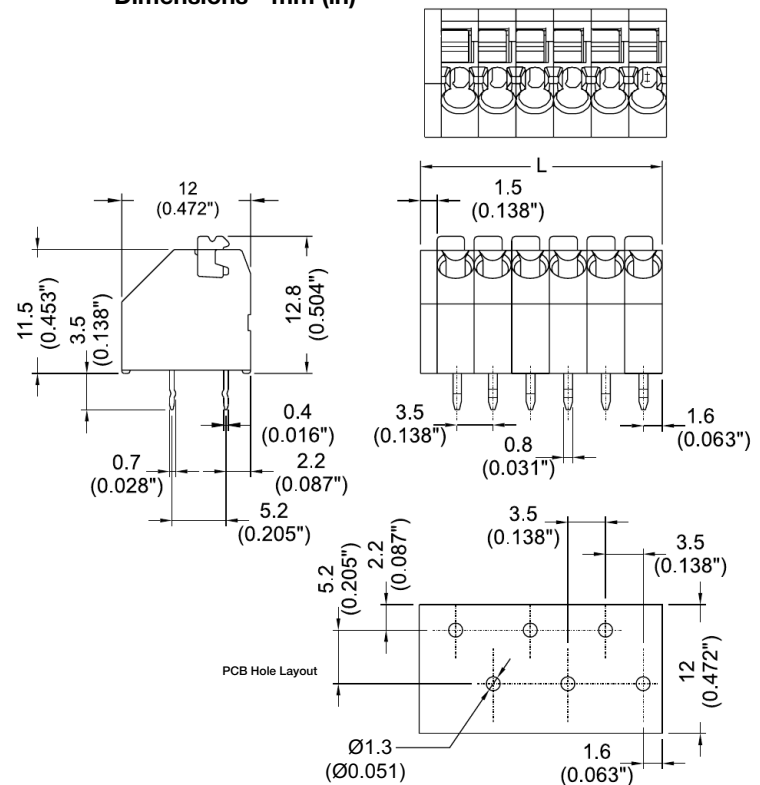
**Construction:** Mold-to-Length

**Agency Information:** File E62622; CE Certified



EM278305

**Dimensions - mm (in)**



Poles	L (mm)
2	8.5
4	15.5
6	22.5
8	29.5
10	36.5
12	43.5
14	50.5
16	57.5
18	64.5
20	71.5
22	78.5
24	92.5

To convert to inches, divide by 25.4

**Part Numbering System**

Series

# of Poles

EM2783

□□

02 to 24

Terminal Blocks:  
Single Row

EuroMag Series  
Screwless

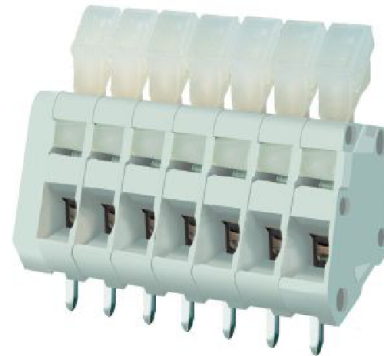
Edge Connectors,  
One-Sided Boards

Compliance  
References

**EM2802 Series**  
**EuroMag Terminal Blocks**  
 30° Entry; Screwless; 2.54 Centers

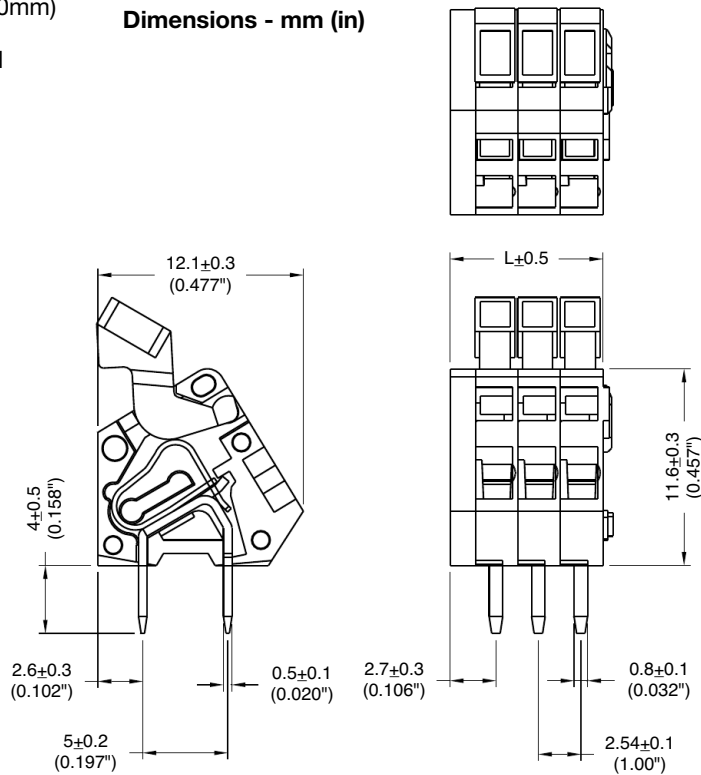
**SPECIFICATIONS**

- Rating:** 4A, 150V
- Center Spacing:** 0.10" (2.54mm)
- Wire Range:** #20-28 AWG
- Housing Material:** Gray Polyamide Type 6/6, 94V0
- Contact Material:** Tin-Plated Brass
- Spring Material:** Stainless Steel
- Operating Temperature:** 105°C (221°F) max., -40°C (-40°F) min.
- Recommended PCB Hole Diameters:** 0.051" (1.30mm)
- Construction:** Mold-to-Length
- Agency Information:** File E62622; CE Certified



EM280207

**Dimensions - mm (in)**



Poles	L (mm)
2	7.08
3	9.62
4	12.16
5	14.70
6	17.24
7	19.78
8	22.32
9	24.86
10	27.40
11	29.94
12	32.48

To convert to inches, divide by 25.4

Terminal Blocks:  
Single Row

EuroMag Series  
Screwless

Edge Connectors,  
One-Sided Boards

Compliance  
References

**Part Numbering System**



### EM2785 Series

### EuroMag Terminal Blocks

45° Entry; Screwless; Modular; 5.00 Centers

#### SPECIFICATIONS

**Rating:** 8A, 300V

**Center Spacing:** 0.197" (5.00mm)

**Wire Range:** #14-22 AWG

**Housing Material:** UL rated 94V0 Thermoplastic

**Contact Material:** Tin-Plated Brass

**Spring Material:** Stainless Steel

**Operating Temperature:** 105°C (221°F) max., -40°C (-40°F) min.

**Recommended PCB Hole Diameters:** 0.051" (1.30mm)

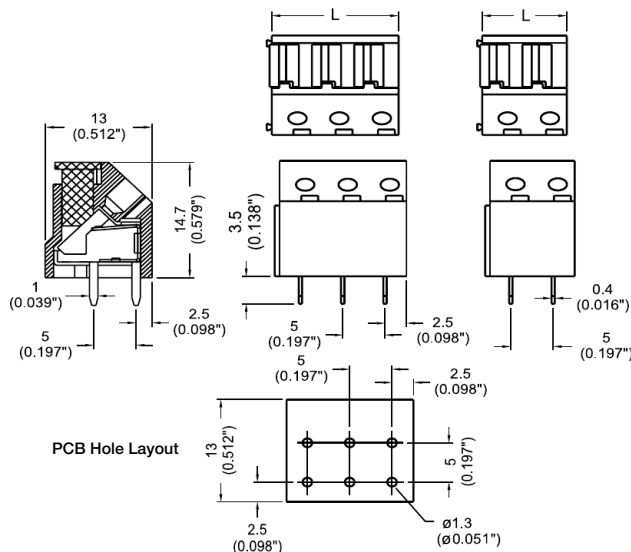
**Construction:** Modular design features dovetails for interlocking to achieve longer lengths

**Agency Information:** eNUS File E62622; CE Certified



EM278505

#### Dimensions - mm (in)



Poles	L (mm)	Poles	L (mm)
2	10.0	14	70.0
3	15.0	15	75.0
4	20.0	16	80.0
5	25.0	17	85.0
6	30.0	18	90.0
7	35.0	19	95.0
8	40.0	20	100.0
9	45.0	21	105.0
10	50.0	22	110.0
11	55.0	23	115.0
12	60.0	24	120.0
13	65.0		

To convert to inches, divide by 25.4

### Part Numbering System

Series

# of Poles

EM2785

□□

02 to 24

Terminal Blocks:  
Single Row

EuroMag Series  
Screwless

Edge Connectors,  
One-Sided Boards

Compliance  
References

**EM2778 Series**  
**EuroMag Terminal Blocks**  
 Screwless, Modular, 5.08 Centers

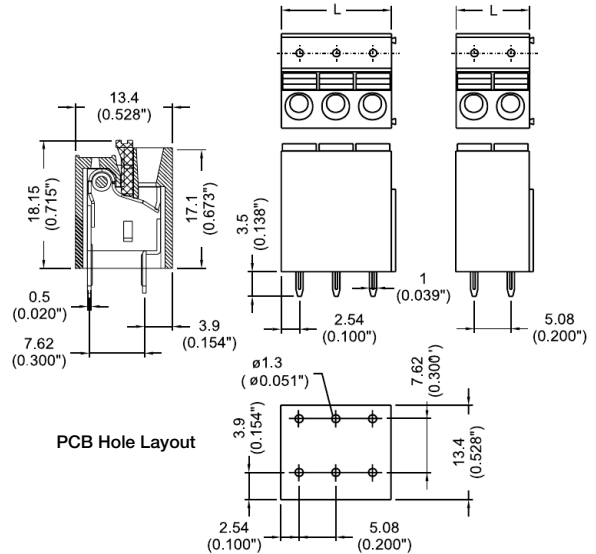
**SPECIFICATIONS**

- Rating:** 10A, 300V
- Center Spacing:** 0.20" (5.08mm)
- Wire Size:** #16-24AWG
- Housing Material:** UL rated 94V0 Thermoplastic
- Contact Material:** Tin-Plated Brass
- Operating Temperature:** 105°C (221°F) max., -40°C (-40°F) min.
- Recommended PCB Hole Diameters:** 0.051" (1.30mm)
- Construction:** Modular design features dovetails for interlocking to achieve longer lengths
- Agency Information:** File E62622; CE Certified



EM277805

**Dimensions - mm (in)**



Poles	L (mm)	Poles	L (mm)
2	10.16	14	71.12
3	15.24	15	76.20
4	20.32	16	81.28
5	25.40	17	86.36
6	30.48	18	91.44
7	35.56	19	96.52
8	40.64	20	101.16
9	45.72	21	106.68
10	50.80	22	111.76
11	55.88	23	116.84
12	60.96	24	121.92
13	66.04		

To convert to inches, divide by 25.4

**Part Numbering System**



Terminal Blocks:  
Single Row

EuroMag Series  
Screwless

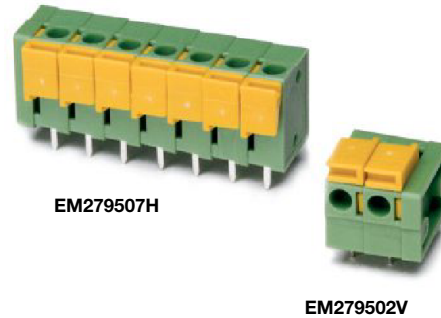
Edge Connectors,  
One-Sided Boards

Compliance  
References

**EM2795 Series**  
**EuroMag Terminal Blocks**  
 Screwless; 5.08 Centers

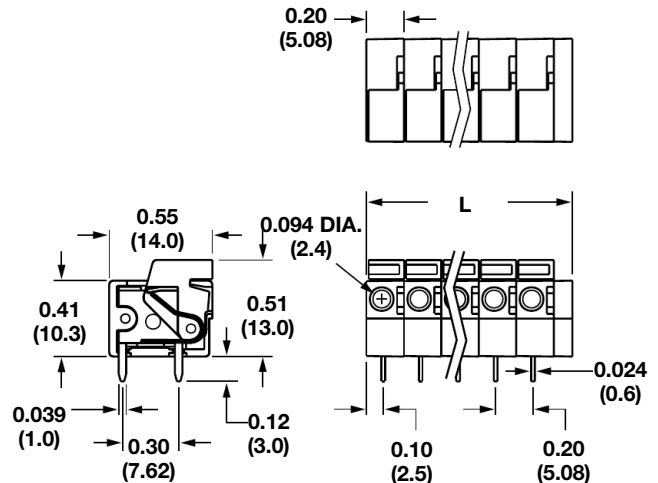
**SPECIFICATIONS**

- Rating:** 10A, 300V
- Center Spacing:** 0.20" (5.08mm)
- Wire Range:** #14-24 AWG
- Housing Material:** UL rated 94V0 Thermoplastic
- Contact Material:** Tin-Plated Brass
- Operating Temperature:** 105°C (221°F) max., -40°C (-40°F) min.
- Recommended PCB Hole Diameters:** 0.051" (1.30mm)
- Construction:** Mold-to-Length
- Agency Information:** File E62622; CE Certified

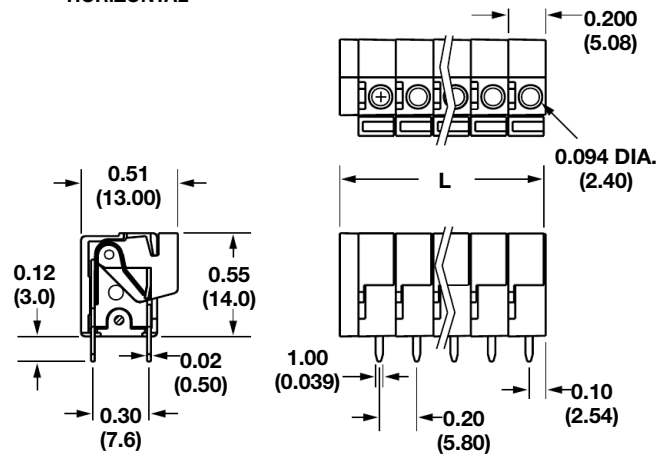


**Dimensions - in (mm)**

**VERTICAL**



**HORIZONTAL**



Poles	L (mm)	Poles	L (mm)
2	12.70	10	68.58
3	17.78	11	73.66
4	22.86	12	78.74
5	27.94	13	83.82
6	33.02	14	53.34
7	38.10	15	58.42
8	43.18	16	63.50
9	48.26		

To convert to inches, divide by 25.4

**Part Numbering System**

<b>Series</b>	<b># of Positions</b>	<b>Orientation</b>
EM2795	<input type="checkbox"/> <input type="checkbox"/>	<input type="checkbox"/>
	02 to 16	H - horizontal V - vertical

Terminal Blocks:  
Single Row

EuroMag Series  
Screwless

Edge Connectors,  
One-Sided Boards

Compliance  
References



**EM2796 Series**  
**EuroMag Terminal Blocks**  
 Screwless; 7.62 Centers

**SPECIFICATIONS**

- Rating:** 10A, 300V
- Center Spacing:** 0.30" (7.62mm)
- Wire Range:** #14-24 AWG
- Housing Material:** UL rated 94V0 Thermoplastic
- Contact Material:** Tin-Plated Brass
- Operating Temperature:** 105°C (221°F) max., -40°C (-40°F) min.
- Recommended PCB Hole Diameters:** 0.051" (1.30mm)
- Construction:** Mold-to-Length
- Agency Information:** File E62622; CE Certified



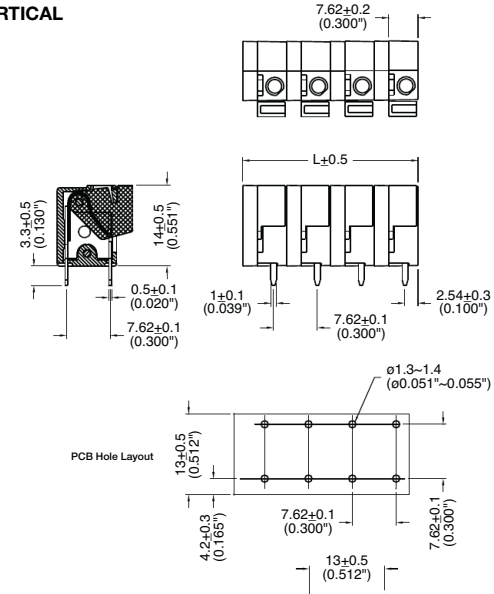
EM279606V



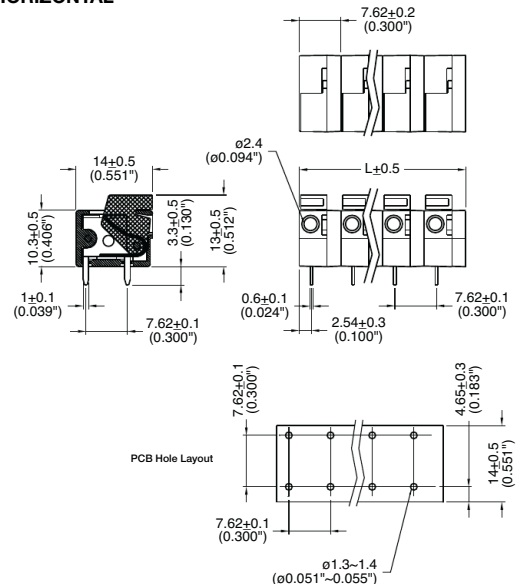
EM279603H

**Dimensions - mm (in)**

**VERTICAL**



**HORIZONTAL**



Poles	L (mm)	Poles	L (mm)
2	15.24	10	76.20
3	22.56	11	83.82
4	30.48	12	91.44
5	37.19	13	99.07
6	45.72	14	106.69
7	53.34	15	114.31
8	60.96	16	121.93
9	68.58		

To convert to inches, divide by 25.4

**Part Numbering System**

<b>Series</b>	<b># of Poles</b>	<b>Orientation</b>
<b>EM2796</b>	<input type="checkbox"/> <input type="checkbox"/>	<input type="checkbox"/>
	<b>02 to 16</b>	<b>H</b> - horizontal <b>V</b> - vertical

Terminal Blocks:  
Single Row

EuroMag Series  
Screwless

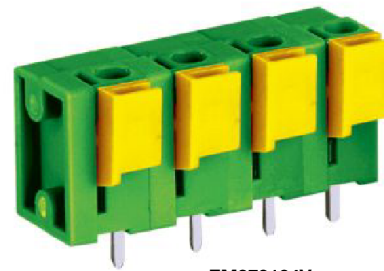
Edge Connectors,  
One-Sided Boards

Compliance  
References

**EM2791 Series**  
**EuroMag Terminal Blocks**  
 Screwless; 10.16 Centers

**SPECIFICATIONS**

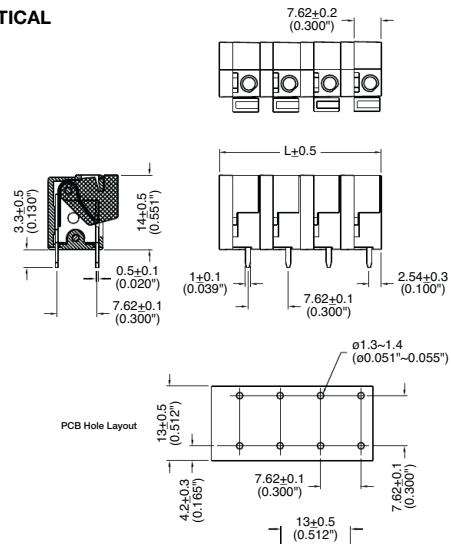
**Rating:** 10A, 300V  
**Center Spacing:** 0.40" (10.16mm)  
**Wire Range:** #14-24 AWG  
**Housing Material:** UL rated 94V0 Thermoplastic  
**Contact Material:** Tin-Plated Brass  
**Operating Temperature:** 105°C (221°F) max., -40°C (-40°F) min.  
**Recommended PCB Hole Diameters:** 0.051" (1.30mm)  
**Construction:** Mold-to-Length  
**Agency Information:** US File E62622; CE Certified



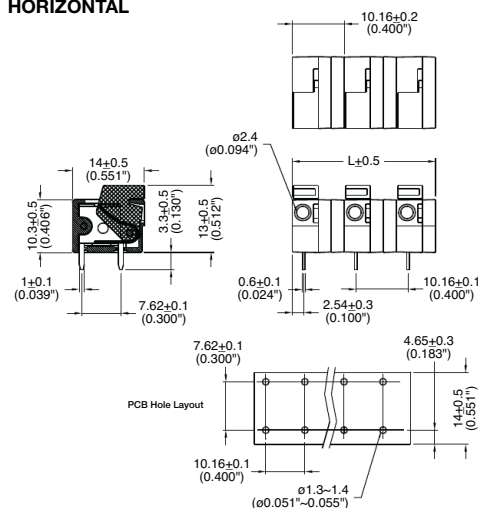
EM279104V

**Dimensions - mm (in)**

**VERTICAL**



**HORIZONTAL**



Poles	L (mm)	Poles	L (mm)
2	17.78	10	99.06
3	27.94	11	109.22
4	38.10	12	119.38
5	48.26	13	129.54
6	58.42	14	139.70
7	68.58	15	149.86
8	78.74	16	160.02
9	88.90		

To convert to inches, divide by 25.4

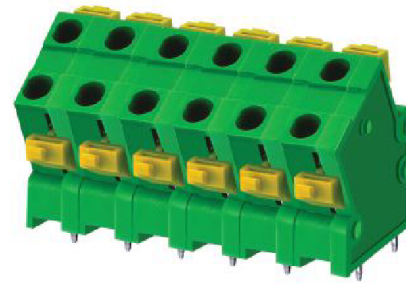
**Part Numbering System**

Series	# of Poles	Orientation
<b>E</b> <b>M</b> <b>2</b> <b>7</b> <b>9</b> <b>1</b>	<input type="checkbox"/> <input type="checkbox"/>	<input type="checkbox"/>
	<b>02 to 16</b>	<b>H</b> - horizontal <b>V</b> - vertical

**EM2816 Series**  
**EuroMag Terminal Blocks**  
 60° Entry; Screwless; 7.62 Centers

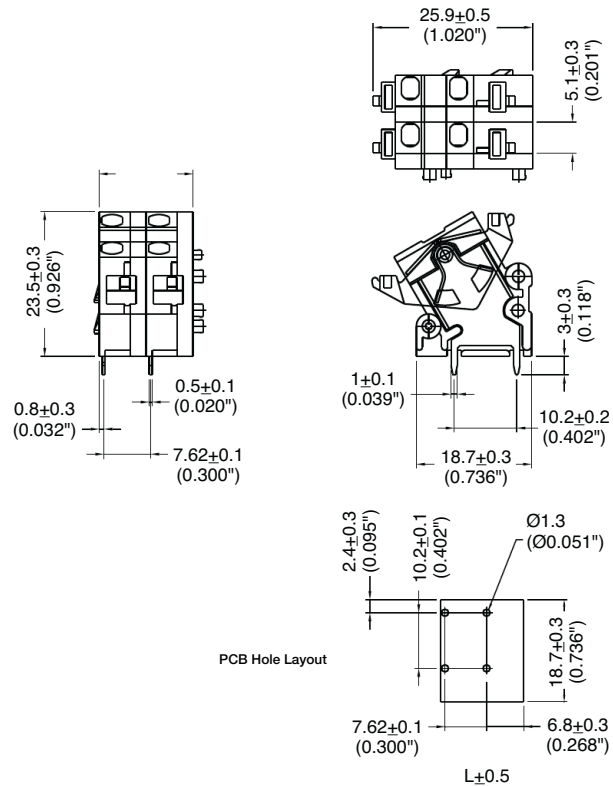
**SPECIFICATIONS**

- Rating:** 10A, 300V
- Center Spacing:** 0.30" (7.62mm)
- Wire Range:** #16-22 AWG
- Housing Material:** UL rated 94V0 Thermoplastic
- Contact Material:** Tin-Plated Brass
- Spring Material:** Stainless Steel
- Operating Temperature:** 105°C (221°F) max., -40°C (-40°F) min.
- Recommended PCB Hole Diameters:** 0.051" (1.30mm)
- Construction:** Mold-to-Length
- Agency Information:** File E62622; CE Certified



EM281606

**Dimensions - mm (in)**



Poles	L (mm)
2	15.24
3	22.86
4	30.48
5	38.10
6	45.72
7	53.34
8	60.96
9	68.58
10	76.20
11	83.82
12	91.44

To convert to inches, divide by 25.4

**Part Numbering System**

Series                      # of Poles

**EM2816**                     

   02 to 12

Terminal Blocks:  
Single Row

EuroMag Series  
Screwless

Edge Connectors,  
One-Sided Boards

Compliance  
References

### EM3533 Series

#### EuroMag Terminal Blocks

Pluggable Block (Mates with EM2221 Series);  
3.50 Centers



EM353308

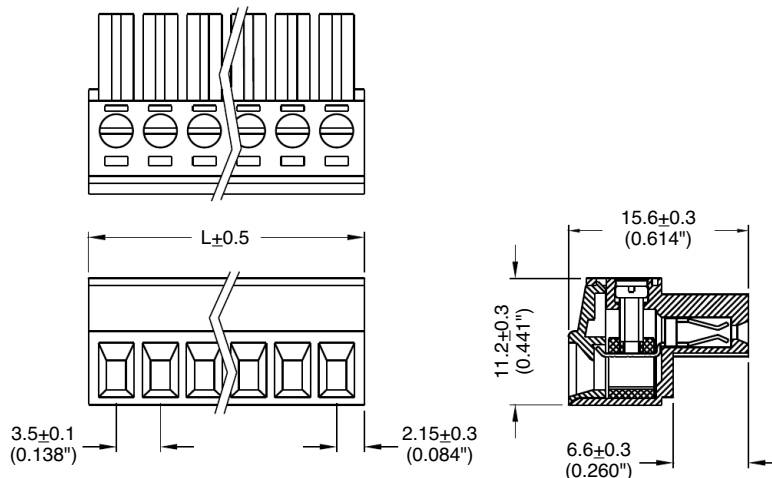
#### SPECIFICATIONS

- Rating:** 10A, 300V
- Center Spacing:** 0.138" (3.50mm)
- Wire Range:** #16-26 AWG
- Housing Material:** UL rated 94V0 Thermoplastic
- Contact Material:** Brass Tin-Plated
- Cage Material:** Brass, Nickel-Plated
- Screw Size:** M2.0 Zinc-Plated Steel
- Operating Temperature:** 105°C (221°F) max., -40°C (-40°F) min.
- Torque Rating:** 3.0 lb-in.
- Construction:** Mold-to-Length
- Agency Information:** US File E62622; CE Certified

Poles	L (mm)
2	7.8
3	11.3
4	14.8
5	18.3
6	21.8
7	25.3
8	28.8
9	32.3
10	35.8
11	33.3
12	42.8
13	46.3
14	49.8

To convert to inches, divide by 25.4

#### Dimensions - mm (in)



Terminal Blocks:  
Single Row

EuroMag Series  
Plug & Header

Edge Connectors,  
One-Sided Boards

Compliance  
References

## Part Numbering System

Series                      # of Poles

**EM3533**                     

02 to 14

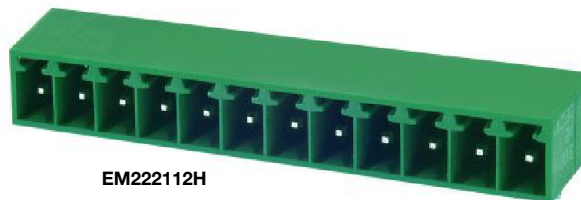
Mating Header: EM2221 pg. 75

**EM2221 Series  
EuroMag Terminal Blocks**

Closed Header; (Mates with EM3533 Series);  
3.50 Centers

**SPECIFICATIONS**

- Rating:** 10A, 300V
- Center Spacing:** 0.138" (3.50mm)
- Housing Material:** UL rated 94V0 Thermoplastic
- Contact Material:** Brass Tin-Plated
- Operating Temperature:** 105°C (221°F) max., -40°C (-40°F) min.
- Recommended PCB Hole Diameters:** 0.055" (1.40mm)
- Construction:** Mold-to-Length
- Agency Information:** File E62622; CE Certified

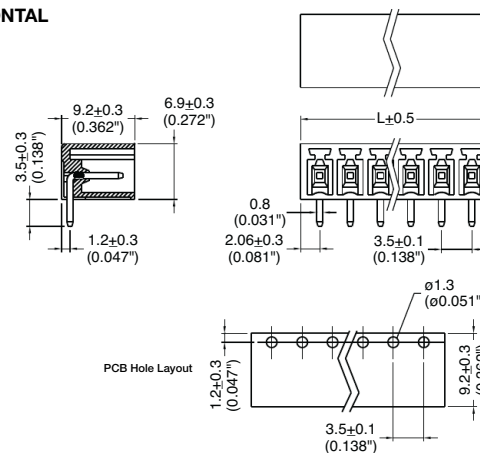


Poles	L (mm)
2	7.6
3	11.1
4	14.6
5	18.1
6	21.6
7	25.1
8	28.6
9	32.1
10	35.6
11	39.1
12	42.6
13	42.1
14	49.6

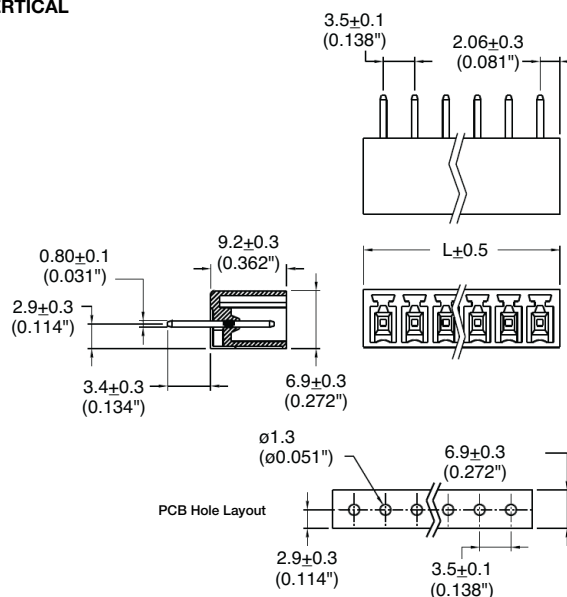
To convert to inches, divide by 25.4

**Dimensions - mm (in)**

**HORIZONTAL**



**VERTICAL**



**Part Numbering System**

<b>Series</b>	<b># of Poles</b>	<b>Orientation</b>
EM2221		
	02 to 14	H - horizontal V - vertical

**Mating Plug:** EM3533 pg. 74

Terminal Blocks:  
Single Row

EuroMag Series  
Plug & Header

Edge Connectors,  
One-Sided Boards

Compliance  
References

### EM2413 Series

#### EuroMag Terminal Blocks

Pluggable Block with Flanges (Mates with EM2201 Series); 3.50 Centers

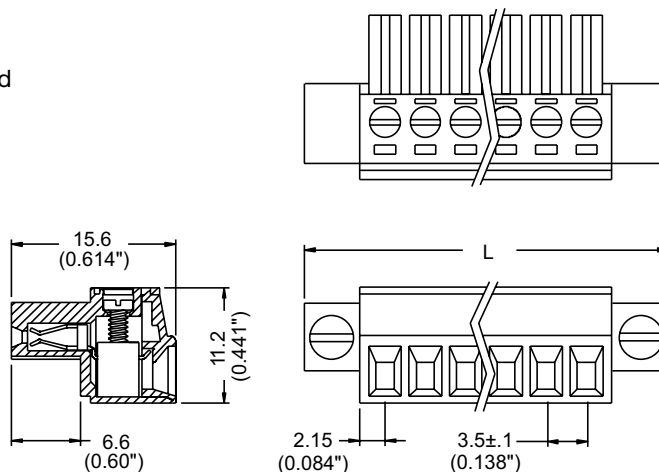


EM241307

#### SPECIFICATIONS

- Rating:** 10A, 300V
- Center Spacing:** 0.138" (3.50mm)
- Wire Range:** #16-26 AWG
- Housing Material:** UL rated 94V0 Thermoplastic
- Contact Material:** Brass Tin-Plated
- Cage Material:** Brass, Nickel-Plated
- Screw Size:** M2.0 Zinc-Plated Steel
- Operating Temperature:** 105°C (221°F) max., -40°C (-40°F) min.
- Torque Rating:** 3.0 lb-in.
- Construction:** Mold-to-Length
- Agency Information:** us File E62622; CE Certified

#### Dimensions - mm (in)



Poles	L (mm)
2	17.4
3	20.9
4	24.4
5	27.9
6	31.4
7	34.9
8	38.4
9	41.9
10	45.4
11	48.9
12	52.4

To convert to inches, divide by 25.4

### Part Numbering System

Series

# of Poles

**EM2413**

02 to 12

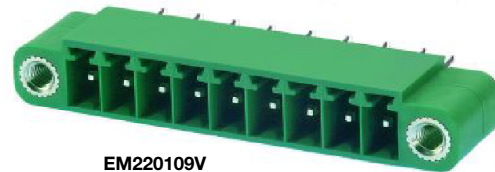
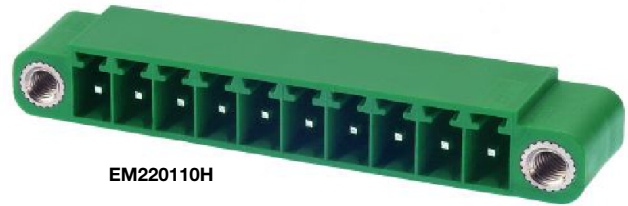
Mating Header: EM2201 pg. 77

**EM2201 Series  
EuroMag Terminal Blocks**

Header with Flanges (Mates with EM2413 Series); 3.50 Centers

**SPECIFICATIONS**

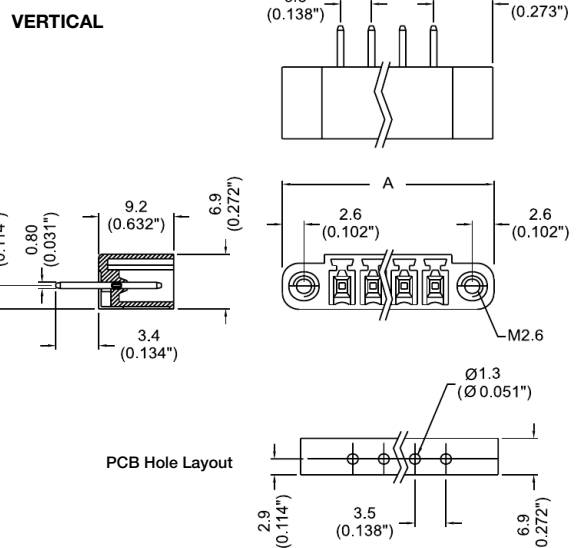
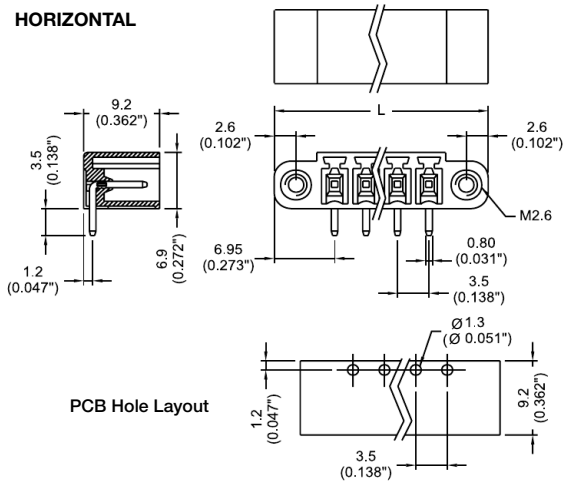
- Rating:** 10A, 300V
- Center Spacing:** 0.138" (3.50mm)
- Housing Material:** Green Polyamide Type 6/6, 94V0
- Contact Material:** Brass Tin-Plated
- Operating Temperature:** 105°C (221°F) max., -40°C (-40°F) min.
- Recommended PCB Hole Diameters:** 0.055" (1.40mm)
- Construction:** Mold to Length
- Agency Information:** File E62622; CE Certified



Poles	L (mm)
2	17.4
3	20.9
4	24.4
5	27.9
6	31.4
7	34.9
8	38.4
9	41.3
10	45.4
11	48.9
12	52.4

To convert to inches, divide by 25.4

**Dimensions - mm (in)**



**Part Numbering System**

<b>Series</b>	<b># of Poles</b>	<b>Orientation</b>
EM2201		
	02 to 12	H - horizontal V - vertical

**Mating Plug:** EM2413 pg. 76

Terminal Blocks:  
Single Row

EuroMag Series  
Plug & Header

Edge Connectors,  
One-Sided Boards

Compliance  
References



**EM3553 Series**  
**EuroMag Terminal Blocks**  
 (Mates with EM3593 Series);  
 3.81 Centers

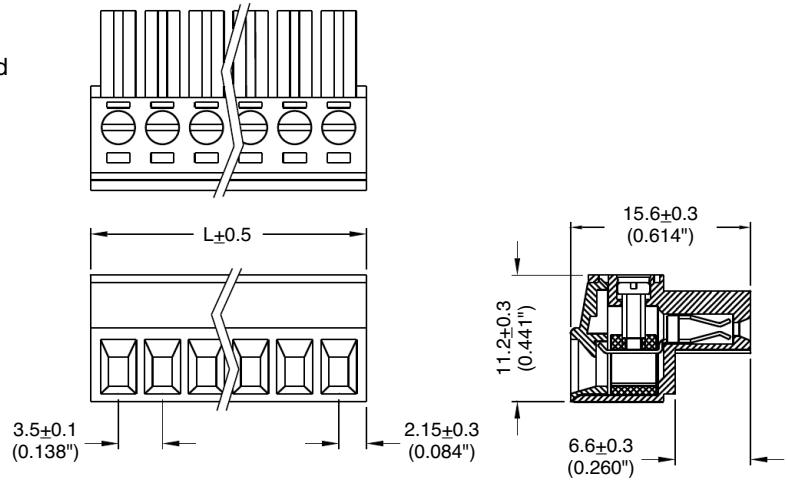
**SPECIFICATIONS**

- Rating:** 10A, 300V
- Center Spacing:** 0.15" (3.81mm)
- Consult factory for 0.30" (7.62mm)
- Wire Range:** #16-26 AWG
- Housing Material:** UL rated 94V0 Thermoplastic
- Contact Material:** Brass Tin-Plated
- Screw Size:** M2.0 Zinc-Plated Steel
- Operating Temperature:** 105°C (221°F) max., -40°C (-40°F) min.
- Torque Rating:** 3.0 lb-in.
- Construction:** Mold-to-Length
- Agency Information:** File E62622; CE Certified



EM355308

**Dimensions - mm (in)**



Position	L (mm)
02	7.90
03	11.71
04	15.52
05	19.33
06	23.14
07	26.95
08	30.76
09	34.57
10	38.38
11	42.19
12	46.00

To convert to inches, divide by 25.4

**Part Numbering System**

Series                      # of Positions



02 to 12

Mating Header: EM3593 pg. 81

Terminal Blocks: Single Row

EuroMag Series Plug & Header

Edge Connectors, One-Sided Boards

Compliance References

**EM3543 Series  
EuroMag Terminal Blocks**

Pluggable Block (Mates with EM3593 Series);  
3.81 Centers

**SPECIFICATIONS**

**Rating:** 10A, 300V

**Center Spacing:** 0.15" (3.81mm)

Consult factory for 0.30" (7.62mm)

**Wire Range:** #16-24 AWG

**Housing Material:** UL rated 94V0 Thermoplastic

**Contact Material:** Brass Tin-Plated

**Cage Material:** Brass, Nickel-Plated

**Screw Size:** M2.0 Zinc-Plated Steel

**Operating Temperature:** 105°C (221°F) max., -40°C (-40°F) min.

**Torque Rating:** 3.0 lb-in.

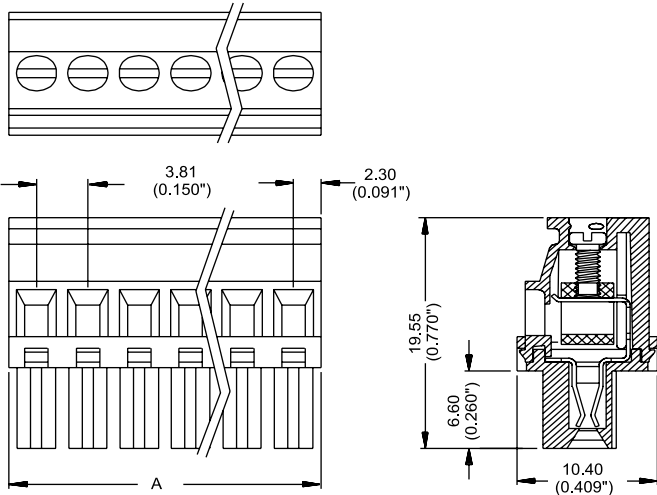
**Construction:** Mold-to-Length

**Agency Information:** File E62622; CE Certified



EM354309

**Dimensions - mm (in)**



Poles	L (mm)
2	8.41
3	12.22
4	16.03
5	19.84
6	23.65
7	27.46
8	31.27
9	35.08
10	38.89
11	42.70
12	46.51

To convert to inches, divide by 25.4

**Part Numbering System**

Series

# of Poles

EM3543

□□

02 to 12

Mating Header: EM3593 pg. 81

Terminal Blocks:  
Single Row

EuroMag Series  
Plug & Header

Edge Connectors,  
One-Sided Boards

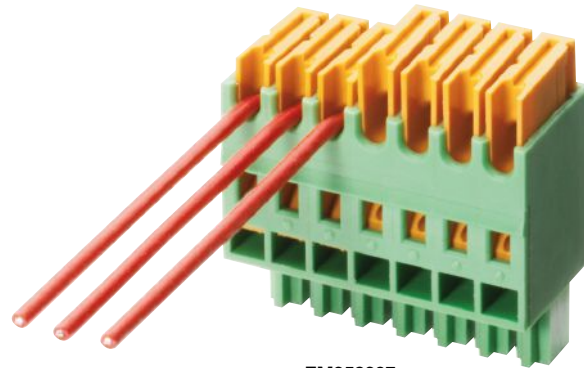
Compliance  
References

**Series EM3583**

**EuroMag Terminal Blocks**

IDC Pluggable Block

(Mates with EM3593 Series); 3.81 Centers



EM358307

**SPECIFICATIONS**

**Ratings:** 10A, 160V

**Center Spacing:** 0.15" (3.81mm)

**Wire Range:** #18-20 AWG

**Housing Material:** UL rated 94V0 Thermoplastic

**Contact Material:** Brass, Tin-Plated

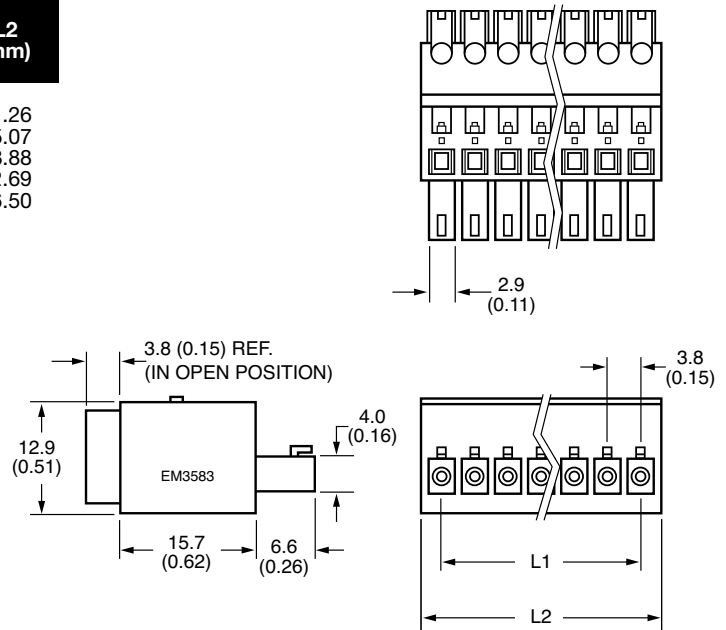
**Operating Temperature:** 105°C (221°F) max., -49°C (-40°F) min.

**Construction:** Mold-to-length.

**Agency Information:** cULus File E62622; CE Certified

Poles	L1 (mm)	L2 (mm)	Poles	L1 (mm)	L2 (mm)
02	3.81	8.40	08	26.67	31.26
03	7.62	12.21	09	30.48	35.07
04	11.43	16.02	10	34.29	38.88
05	15.24	19.83	11	38.10	42.69
06	19.05	23.64	12	41.91	46.50
07	22.86	27.45			

**Dimensions - mm (in)**



**Part Numbering System**

Inches (Millimeters)

Series

**EM3583**

# of Positions

02 to 12

Mating Header: EM3593 pg. 81

Terminal Blocks:  
Single Row

EuroMag Series  
Plug & Header

Edge Connectors,  
One-Sided Boards

Compliance  
References

**Series EM3593**  
**EuroMag Terminal Blocks**

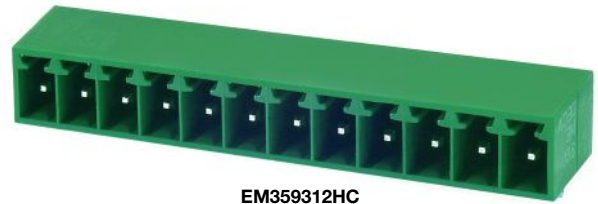
Header (Mates with EM3553, EM3543, and EM3583 Series); 3.81 Centers

**SPECIFICATIONS**

- Ratings:** 10A, 300V
- Center Spacing:** 0.15" (3.81mm)
- Housing Material:** UL rated 94V0 Thermoplastic
- Contact Material:** Brass, Tin-Plated
- Operating Temperature:** 105°C (221°F) max., -40°C (-40°F) min.
- Recommended PCB Hole Diameters:** 0.51" (1.30mm)
- Construction:** Mold-to-length.
- Agency Information:** US File E62622; CE Certified

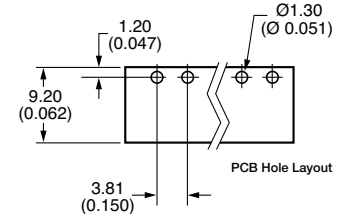
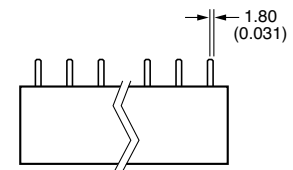
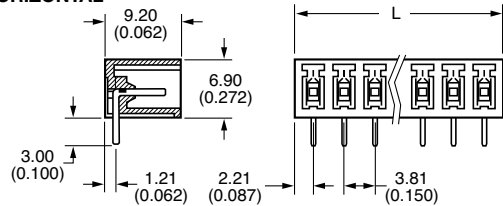
Poles	L (mm)	Poles	L (mm)
02		08	31.09
03	8.23	09	34.90
04	12.04	10	38.71
05	15.85	11	42.52
06	19.66	12	46.33
07	23.47		
	27.28		

\* Dimensions in inches. To convert to millimeters, multiply by 25.4.

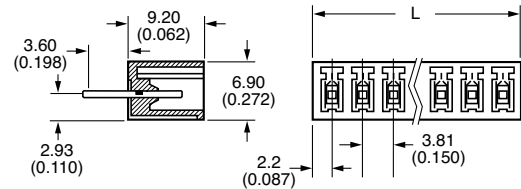


**Dimensions - mm (in)**

**HORIZONTAL**



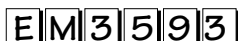
**VERTICAL**



**Part Numbering System**

Inches (Millimeters)

Series



# of Positions



02 to 12

Orientation



H - Horizontal  
V - Vertical

Side Base



C - Closed

**Mating Plugs:** EM3553 pg. 78  
EM3543 pg. 79  
EM3583 pg. 80

Terminal Blocks:  
Single Row

EuroMag Series  
Plug & Header

Edge Connectors,  
One-Sided Boards

Compliance  
References

**EM2423 Series  
EuroMag Terminal Blocks**

Pluggable Block with Flanges (Mates with EM2211 Series); 3.81 Centers

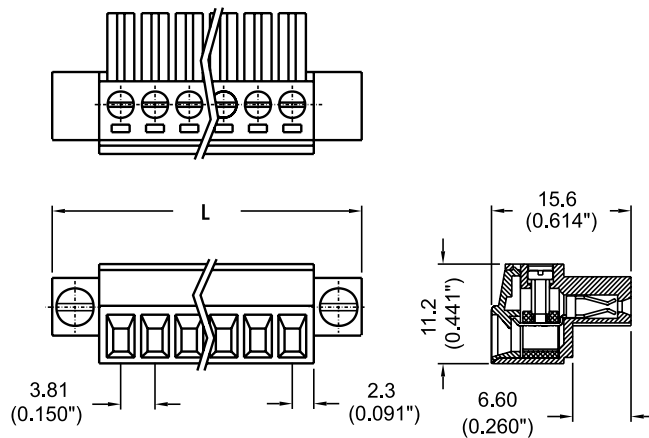


EM242307

**SPECIFICATIONS**

- Rating:** 10A, 300V
- Center Spacing:** 0.15" (3.81mm)
- Wire Range:** #16-26 AWG
- Housing Material:** UL rated 94V0 Thermoplastic
- Contact Material:** Brass Tin-Plated
- Cage Material:** Brass, Nickel-Plated
- Screw Size:** M2.0 Zinc-Plated Steel
- Operating Temperature:** 105°C (221°F) max., -40°C (-40°F) min.
- Torque Rating:** 3.0 lb-in.
- Construction:** Mold-to-Length
- Agency Information:** cULus File E62622; CE Certified

**Dimensions - mm (in)**



Poles	L (mm)
2	17.91
3	21.72
4	25.53
5	29.34
6	33.15
7	36.96
8	40.77
9	44.58
10	48.39
11	52.20
12	56.01

To convert to inches, divide by 25.4

**Part Numbering System**

Series                      # of Poles

EM2423                      □□

02 to 12

Mating Header: EM2211 pg. 84

Terminal Blocks: Single Row

EuroMag Series Plug & Header

Edge Connectors, One-Sided Boards

Compliance References

**EM2443 Series  
EuroMag Terminal Blocks**

Pluggable Block with Flanges (Mates with EM2211 Series); 3.81 Centers

**SPECIFICATIONS**

**Rating:** 10A, 300V

**Center Spacing:** 0.15" (3.81mm)

Consult factory for 0.30" (7.62mm)

**Wire Range:** #16-24 AWG

**Housing Material:** UL rated 94V0 Thermoplastic

**Contact Material:** Brass Tin-Plated

**Cage Material:** Brass, Nickel-Plated

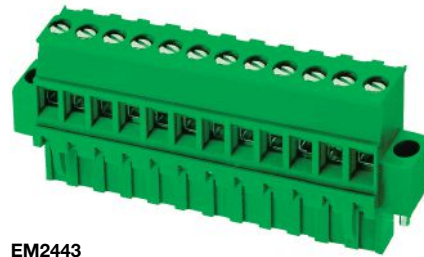
**Screw Size:** M2.0 Nickel-Plated Steel

**Operating Temperature:** 105°C (221°F) max., -40°C (-40°F) min.

**Torque Rating:** 3.0 lb-in.

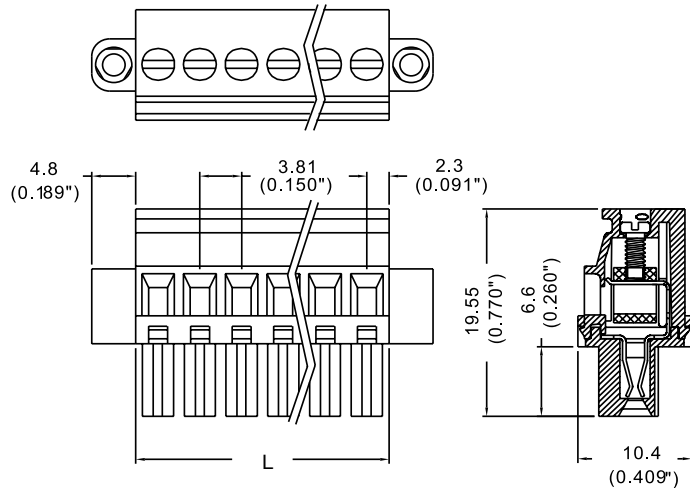
**Construction:** Mold-to-Length

**Agency Information:** US File E62622; CE Certified



EM2443

**Dimensions - mm (in)**



Poles	L (mm)
2	7.90
3	11.71
4	15.52
5	19.33
6	23.14
7	26.95
8	30.76
9	34.57
10	38.38
11	42.19
12	46.00

To convert to inches, divide by 25.4

**Part Numbering System**

Series

# of Poles

**EM2443**

02 to 12

Mating Header: EM2211 pg. 84

Terminal Blocks:  
Single Row

EuroMag Series  
Plug & Header

Edge Connectors,  
One-Sided Boards

Compliance  
References

**EM2211 Series  
EuroMag Terminal Blocks**

Header with Flanges (Mates with EM2423, EM2443 Series); 3.81 Centers

**SPECIFICATIONS**

**Rating:** 10A, 300V

**Center Spacing:** 0.15" (3.81mm)

Consult factory for 0.30" (7.62mm)

**Housing Material:** UL rated 94V0 Thermoplastic

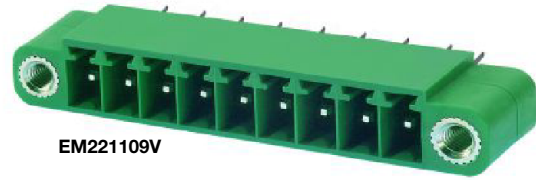
**Contact Material:** Brass Tin-Plated

**Operating Temperature:** 105°C (221°F) max., -40°C (-40°F) min.

**Recommended PCB Hole Diameters:** 0.055" (1.40mm)

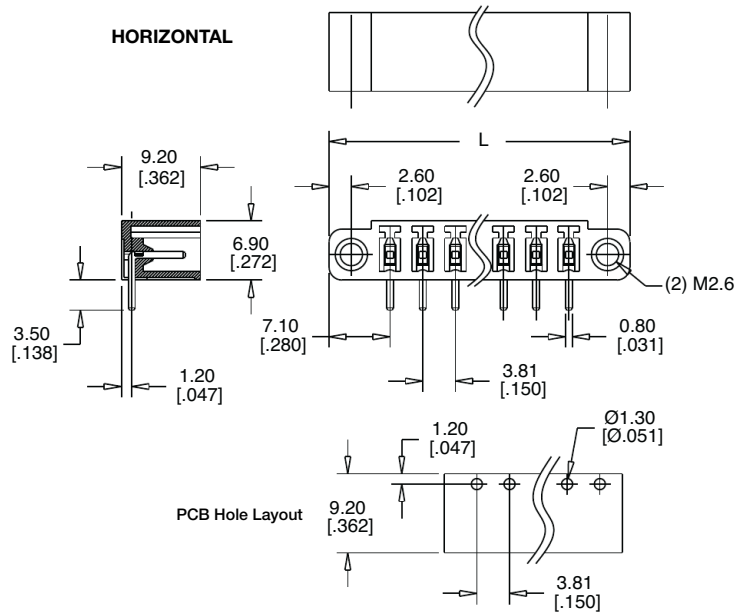
**Construction:** Mold to Length

**Agency Information:** File E62622; CE Certified

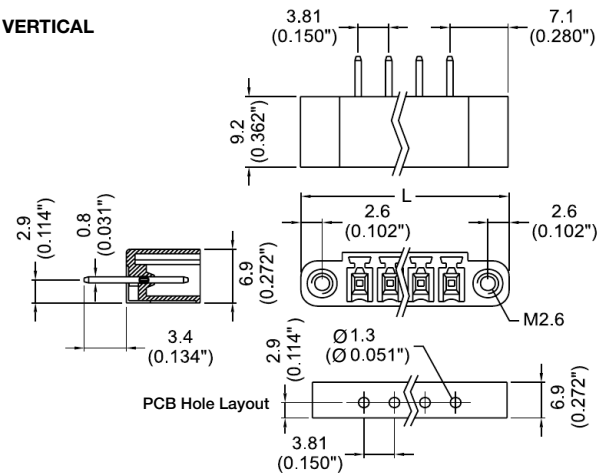


**Dimensions - mm (in)**

**HORIZONTAL**



**VERTICAL**

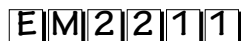


Poles	L (mm)
2	18.02
3	21.83
4	25.64
5	29.45
6	33.26
7	37.07
8	40.88
9	44.69
10	48.50
11	52.31
12	56.12
14	63.74

To convert to inches, divide by 25.4

**Part Numbering System**

Series



# of Poles



02 to 14

Orientation



**H** - horizontal  
**V** - vertical

**Mating Plugs:** EM2423 pg. 82  
EM2443 pg. 83

Terminal Blocks:  
Single Row

EuroMag Series  
Plug & Header

Edge Connectors,  
One-Sided Boards

Compliance  
References



**EM2525 Series  
EuroMag Terminal Blocks**

Pluggable Block (Mates with EM2535 Series); 5.00 Centers

**SPECIFICATIONS**

- Rating:** 16A, 300V
- Center Spacing:** 0.197" (5.00mm)  
Consult factory for 0.394" (10.00mm)
- Wire Range:** #12-24 AWG
- Housing Material:** UL rated 94V0 Thermoplastic
- Contact Material:** Brass Tin-Plated
- Screw Size:** M3.0 Zinc-Plated Steel
- Operating Temperature:** 105°C (221°F) max., -40°C (-40°F) min.
- Torque Rating:** 7 lb-in.
- Construction:** Mold-to-Length
- Connector Style:** Rising Cage and Screw
- Agency Information:** File E62622; CE Certified

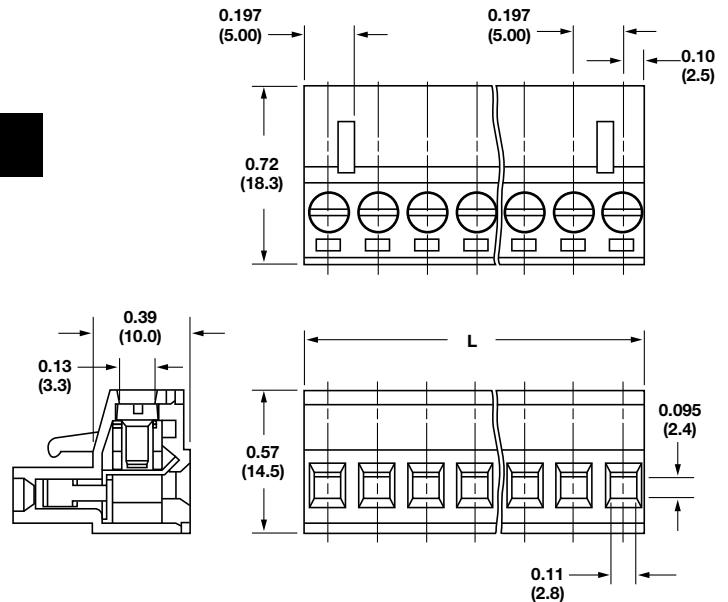


EM252503

Poles	L (mm)	Poles	L (mm)
02	10.0	14	70.0
03	15.0	15	75.0
04	20.0	16	80.0
05	25.0	17	85.0
06	30.0	18	90.0
07	35.0	19	95.0
08	40.0	20	100.0
09	45.0	21	105.0
10	50.0	22	110.0
11	55.0	23	115.0
12	60.0	24	120.0
13	65.0		

To convert to inches, divide by 25.4

**Dimensions - in (mm)**



Terminal Blocks:  
Single Row

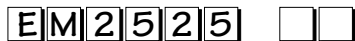
EuroMag Series  
Plug & Header

Edge Connectors,  
One-Sided Boards

Compliance  
References

**Part Numbering System**

Series # of Positions



02 to 24

Mating Header: EM2535 pg. 88

**EM2485 Series**

**EuroMag Terminal Blocks**

Pluggable Block with Cover  
(Mates with EM2535 Series); 5.00 Centers

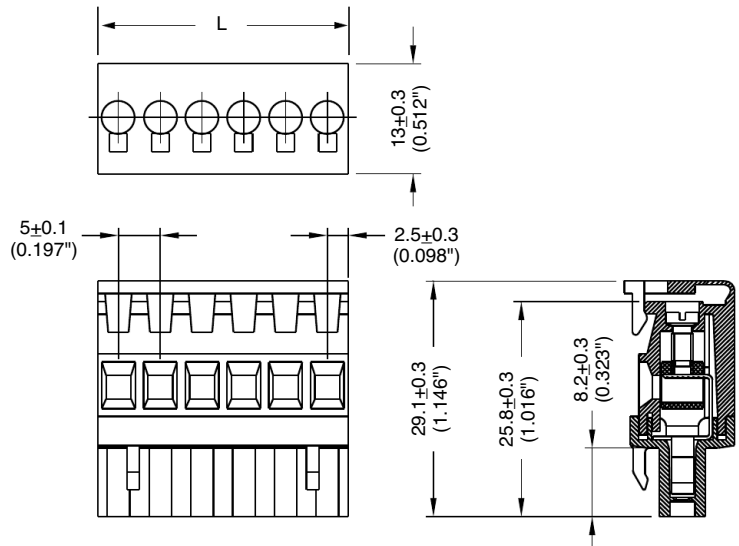
**SPECIFICATIONS**

- Rating:** 16A, 300V
- Center Spacing:** 0.197" (5.00mm)
- Wire Range:** #14-24 AWG
- Housing Material:** UL rated 94V0 Thermoplastic
- Contact Material:** Tin-Plated Phos Bronze
- Cage Material:** Brass, Nickel-Plated
- Screw Size:** M2.6 Zinc-Plated Steel
- Operating Temperature:** 105°C (221°F) max., -40°C (-40°F) min.
- Torque Rating:** 4.5 lb-in.
- Construction:** Mold-to-Length
- Agency Information:** File E62622; CE Certified



EM248506

**Dimensions - mm (in)**



Poles	L (mm)
2	10.0
3	15.0
4	20.0
5	25.0
6	30.0
7	35.0
8	40.0

To convert to inches, divide by 25.4

**Part Numbering System**

Series                      # of Poles

**EM2485**                      □□

02 - 08

Mating Header: EM2535 pg. 88

Terminal Blocks: Single Row

EuroMag Series Plug & Header

Edge Connectors, One-Sided Boards

Compliance References

**EM3105 Series**  
**EuroMag Terminal Blocks**  
 Pluggable Block; Top Entry  
 (Mates with EM2535 Series); 5.00 Centers

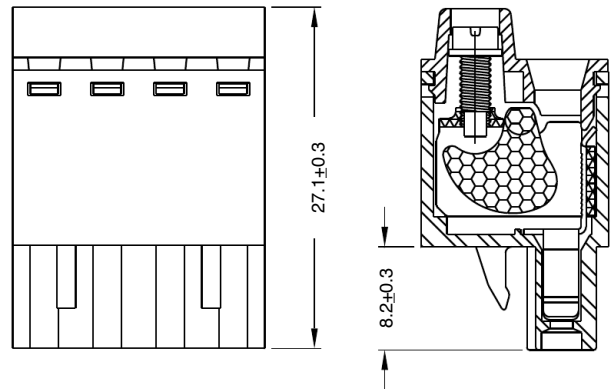
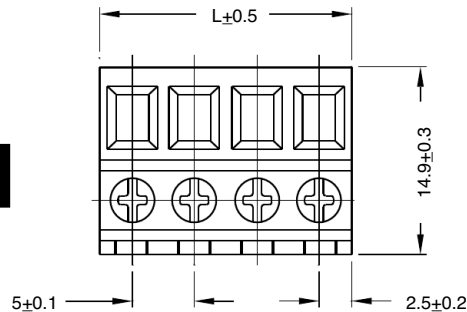
**SPECIFICATIONS**

- Rating:** 16A, 300V
- Center Spacing:** 0.197" (5.00mm)
- Wire Range:** #12-24 AWG
- Housing Material:** UL rated 94V0 Thermoplastic
- Contact Material:** Tin-Plated Phos Bronze
- Cage Material:** Brass, Nickel-Plated
- Screw Size:** M2.6 Zinc-Plated Steel
- Operating Temperature:** 105°C (221°F) max., -40°C (-40°F) min.
- Torque Rating:** 4.5 lb-in.
- Construction:** Mold-to-Length
- Agency Information:** US File E62622; CE Certified



EM310508

**Dimensions - mm**



Poles	L (mm)	Poles	L (mm)
2	10.0	8	40.0
3	15.0	9	45.0
4	20.0	10	50.0
5	25.0	11	55.0
6	30.0	12	60.0
7	35.0		

To convert to inches, divide by 25.4

**Part Numbering System**

Series                      # of Poles

**EM3105**                 

                                    02 to 12

Mating Header: EM2535 pg. 88

Terminal Blocks: Single Row

EuroMag Series Plug & Header

Edge Connectors, One-Sided Boards

Compliance References

**EM2535 Series  
EuroMag Terminal Blocks**

Header (Mates with EM2525, EM2485 & EM3105 Series); 5.00 Centers

**SPECIFICATIONS**

**Rating:** 16A, 300V

**Center Spacing:** 0.197" (5.00mm)

Consult factory for 0.394" (10.00mm)

**Housing Material:** UL rated 94V0 Thermoplastic

**Contact Material:** Brass Tin-Plated

**Operating Temperature:** 105°C (221°F) max., -40°C (-40°F) min.

**Recommended PCB Hole Diameters:** 0.055" (1.40mm)

**Construction:** Mold-to-Length

**Agency Information:** cUL File E62622; CE Certified



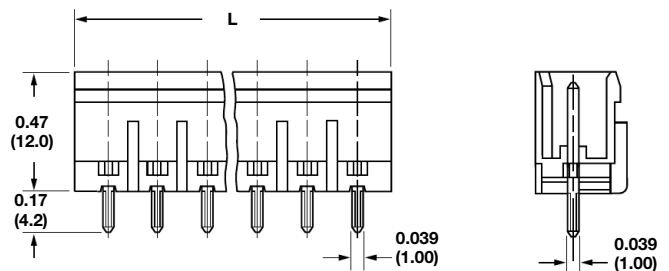
EM253505VC



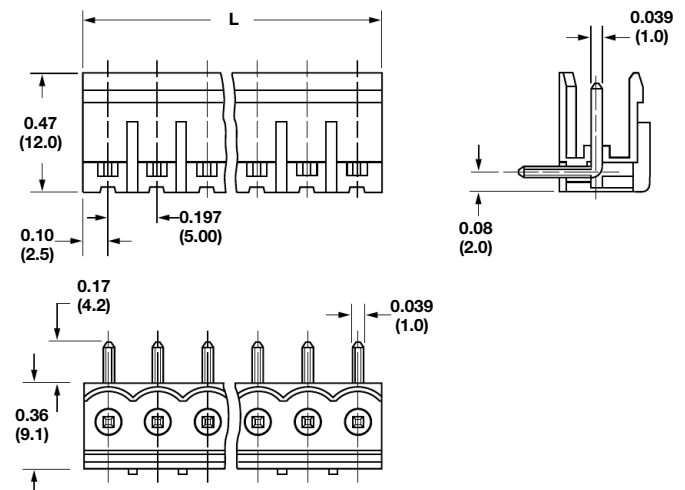
EM253508HO

**Dimensions - in (mm)**

**VERTICAL - CLOSED**



**HORIZONTAL - OPEN**



Position	Open L (mm)	Closed L (mm)	Position	Open L (mm)	Closed L (mm)
02	10.0	12.0	14	70.0	72.0
03	15.0	17.0	15	75.0	77.0
04	20.0	22.0	16	80.0	82.0
05	25.0	27.0	17	85.0	87.0
06	30.0	32.0	18	90.0	92.0
07	35.0	37.0	19	95.0	97.0
08	40.0	42.0	20	100.0	102.0
09	45.0	47.0	21	105.0	107.0
10	50.0	52.0	22	110.0	112.0
11	55.0	57.0	23	115.0	117.0
12	60.0	62.0	24	120.0	122.0
13	65.0	67.0			

To convert to inches, divide by 25.4

**Part Numbering System**

Series	# of Positions	Orientations	Side Base
EM2535	<input type="checkbox"/> <input type="checkbox"/>	<input type="checkbox"/>	<input type="checkbox"/>
	02 to 24	H - horizontal V - vertical	O - open C - closed

**Mating Plugs:** EM2525 pg. 85  
EM2485 pg. 86  
EM3105 pg. 87

Terminal Blocks:  
Single Row

EuroMag Series  
Plug & Header

Edge Connectors,  
One-Sided Boards

Compliance  
References

**EM2565 Series**  
**EuroMag Terminal Blocks**  
 Pluggable Block (Mates with EM2575 Series); 5.08 Centers

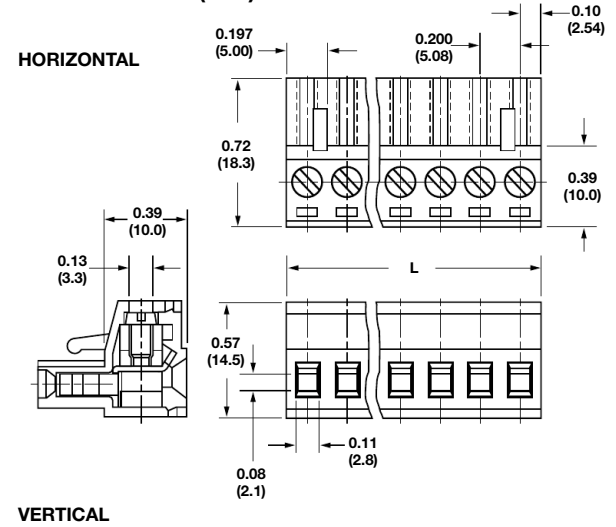
**SPECIFICATIONS**

- Rating:** 16A, 300V
- Center Spacing:** 0.20" (5.08mm)  
 Consult factory for 0.40" (10.16mm)
- Wire Range:** #12-24 AWG
- Housing Material:** UL rated 94V0 Thermoplastic
- Contact Material:** Brass Tin-Plated
- Screw Size:** M3.0 Zinc-Plated Steel
- Operating Temperature:** 105°C (221°F) max., -40°C (-40°F) min.
- Torque Rating:** 7 lb-in.
- Construction:** Mold-to-Length
- Agency Information:** US File E62622; CE Certified



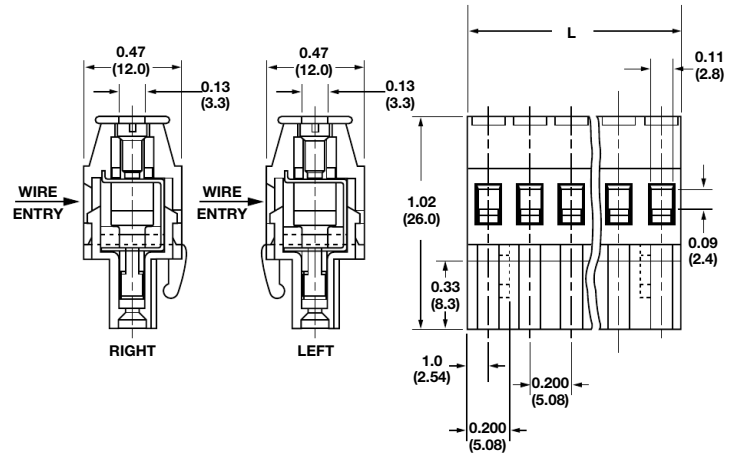
EM256503H

**Dimensions - in (mm)**



Position	L (mm)	Position	L (mm)
02	10.16	14	71.12
03	15.24	15	76.20
04	20.32	16	81.28
05	25.40	17	86.36
06	30.48	18	91.44
07	35.56	19	96.52
08	40.64	20	101.60
09	45.72	21	106.68
10	50.80	22	111.76
11	55.88	23	116.84
12	60.96	24	121.92
13	66.04		

To convert to inches, divide by 25.4



**Part Numbering System**

<b>Series</b>	<b># of Positions</b>	<b>Orientation</b>	<b>Wire Entry (Vertical Orientation Only)</b>	<b>Mating Header:</b> EM2575 pg. 92
<b>EM2565</b>	<input type="checkbox"/> <input type="checkbox"/>	<input type="checkbox"/>	<input type="checkbox"/>	
	<b>02 to 24</b>	<b>H</b> - horizontal <b>V</b> - vertical	<b>L</b> - left <b>R</b> - right	

Terminal Blocks: Single Row  
 EuroMag Series Plug & Header  
 Edge Connectors, One-Sided Boards  
 Compliance References

**EM2488 Series**

**EuroMag Terminal Blocks**

Pluggable Block (Mates with EM2575 Series); 5.08 Centers with Cover

**SPECIFICATIONS**

**Rating:** 16A, 300V

**Center Spacing:** 0.20" (5.08mm)

**Wire Range:** #14-24 AWG

**Housing Material:** UL rated 94V0 Thermoplastic

**Contact Material:** Brass Tin-Plated

**Cage Material:** Brass, Nickel-Plated

**Screw Size:** M2.6 Zinc-Plated Steel

**Operating Temperature:** 105°C (221°F) max., -40°C (-40°F) min.

**Torque Rating:** 4.5 lb-in.

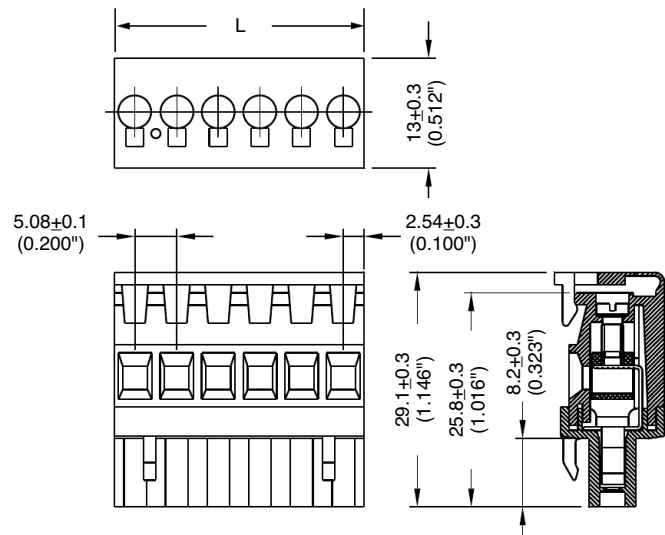
**Construction:** Mold-to-Length

**Agency Information:** File E62622; CE Certified



EM248806

**Dimensions - mm (in)**



Poles	L (mm)
2	10.16
3	15.24
4	20.32
5	25.40
6	30.48
7	35.56
8	40.64

To convert to inches, divide by 25.4

**Part Numbering System**

Series

# of Poles

EM2488

□□

02 to 08

Mating Header: EM2575 pg. 92

Terminal Blocks: Single Row  
EuroMag Series Plug & Header  
Edge Connectors, One-Sided Boards  
Compliance References

**EM3108 Series  
EuroMag Terminal Blocks**

Pluggable Block; Front Entry (Mates with EM2575 Series); 5.08 Centers

**SPECIFICATIONS**

- Rating:** 16A, 300V
- Center Spacing:** 0.20" (5.08mm)
- Wire Range:** #12-24 AWG
- Housing Material:** UL rated 94V0 Thermoplastic
- Contact Material:** Brass Tin-Plated
- Cage Material:** Brass, Nickel-Plated
- Screw Size:** M2.6 Zinc-Plated Steel
- Operating Temperature:** 105°C (221°F) max., -40°C (-40°F) min.
- Torque Rating:** 4.5 lb-in.
- Construction:** Mold-to-Length
- Agency Information:** US File E62622; CE Certified

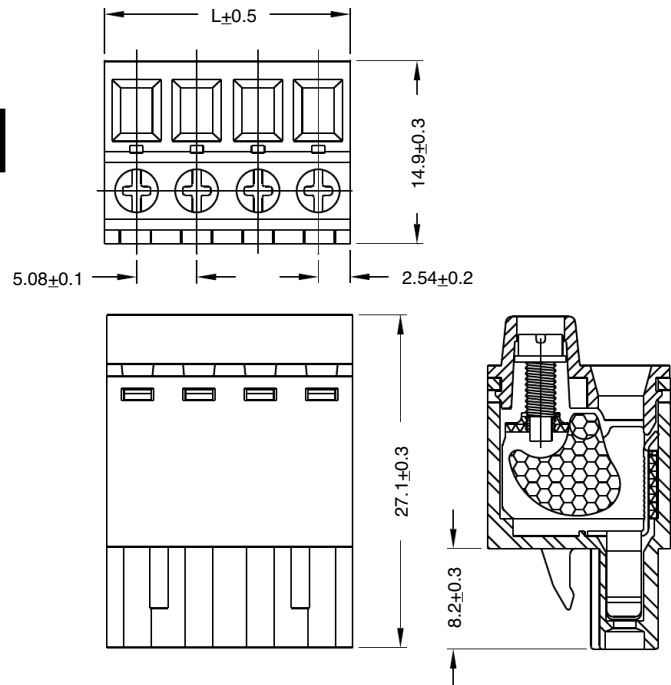


EM310808

Poles	L (mm)	Poles	L (mm)
2	10.16	14	71.12
3	15.24	15	76.20
4	20.32	16	81.28
5	25.40	17	86.36
6	30.48	18	91.44
7	35.45	19	96.52
8	40.64	20	101.60
9	45.72	21	106.68
10	50.80	22	111.76
11	55.88	23	116.84
12	60.96	24	121.92
13	66.04		

To convert to inches, divide by 25.4

**Dimensions - mm**



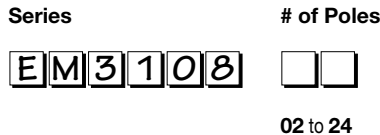
Terminal Blocks:  
Single Row

EuroMag Series  
Plug & Header

Edge Connectors,  
One-Sided Boards

Compliance  
References

**Part Numbering System**



Mating Header: EM2575 pg. 92



### EM2575 Series

### EuroMag Terminal Blocks

Header (Mates with EM2565, EM2488, EM3108 Series); 5.08 Centers

#### SPECIFICATIONS

**Rating:** 16A, 300V

**Center Spacing:** 0.20" (5.08mm)

Consult factory for 0.40" (10.16mm)

**Housing Material:** UL rated 94V0 Thermoplastic

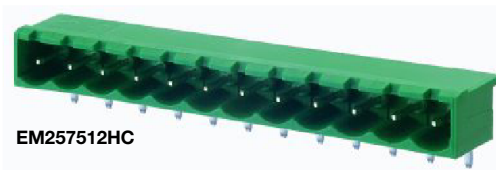
**Contact Material:** Brass Tin-Plated

**Operating Temperature:** 105°C (221°F) max., -40°C (-40°F) min.

**Recommended PCB Hole Diameters:** 0.055" (1.40mm)

**Construction:** Mold-to-Length

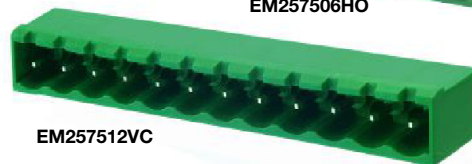
**Agency Information:** File E62622; CE Certified



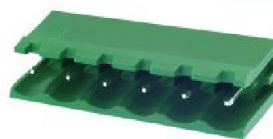
EM257512HC



EM257506HO



EM257512VC

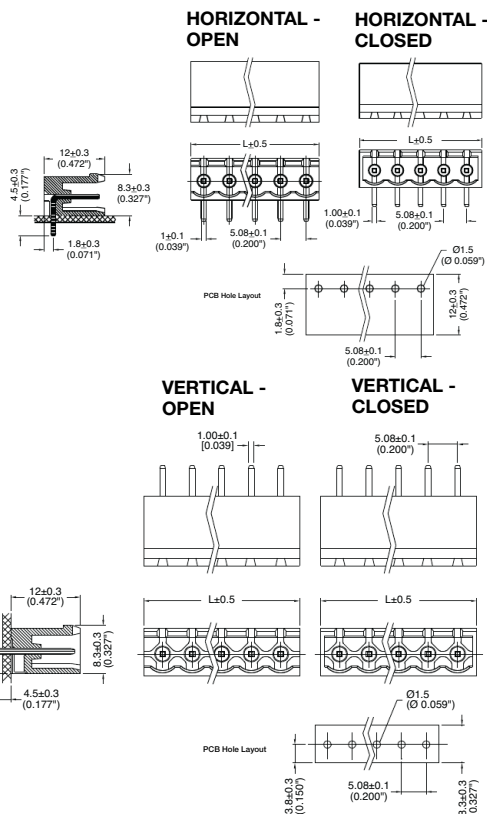


EM257506VO

#### Dimensions - mm (in)

Poles	Open L (mm)	Closed L (mm)	Poles	Open L (mm)	Closed L (mm)
2	10.16	12.08	14	71.12	73.04
3	15.24	17.16	15	76.20	78.12
4	20.32	22.24	16	81.28	83.20
5	25.40	27.32	17	86.36	88.28
6	30.48	32.40	18	91.44	93.36
7	35.56	37.48	19	96.52	98.44
8	40.64	42.66	20	101.60	103.52
9	45.72	47.64	21	106.68	105.60
10	50.80	52.72	22	111.76	113.68
11	55.88	57.80	23	116.84	118.76
12	60.96	62.88	24	121.92	123.84
13	66.04	67.96			

To convert to inches, divide by 25.4



### Part Numbering System

Series	# of Poles	Orientation	Side Base
<b>EM2575</b>	<input type="checkbox"/> <input type="checkbox"/>	<input type="checkbox"/>	<input type="checkbox"/>
	<b>02 to 24</b>	<b>H</b> - horizontal <b>V</b> - vertical	<b>O</b> - open <b>C</b> - closed

**Mating Plugs:** EM2565 pg. 89  
EM2488 pg. 90  
EM3108 pg. 91

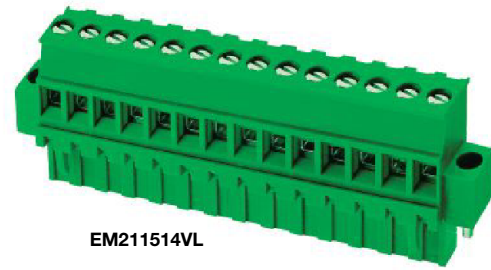
Terminal Blocks: Single Row  
EuroMag Series Plug & Header  
Edge Connectors, One-Sided Boards  
Compliance References

### Series EM2115 Series

Pluggable Terminal Block with Flanges;  
(Mates with EM2215 Series);5.00 Centers

**SPECIFICATIONS:**

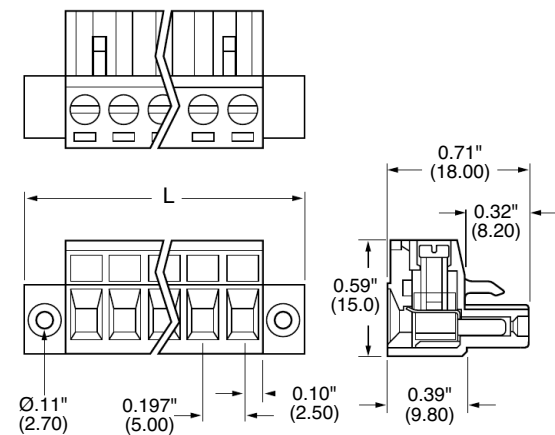
- Rating:** 16A, 300V
- Center Spacing:** 0.197" (5.00mm)
- Wire Range:** #12-24 AWG
- Housing Material:** UL rated 94V0 Thermoplastic
- Contact Material:** Tin-Plated Phosphor Bronze
- Screw Size:** M2.6 Nickel-Plated Steel
- Operating Temperature:** 105°C (221°F) max., -55°C (-67°F) min.
- Torque Rating:** 7.0 lb-in.
- Construction:** Mold-to-Length
- Agency Information:** File E62622; CE Certified



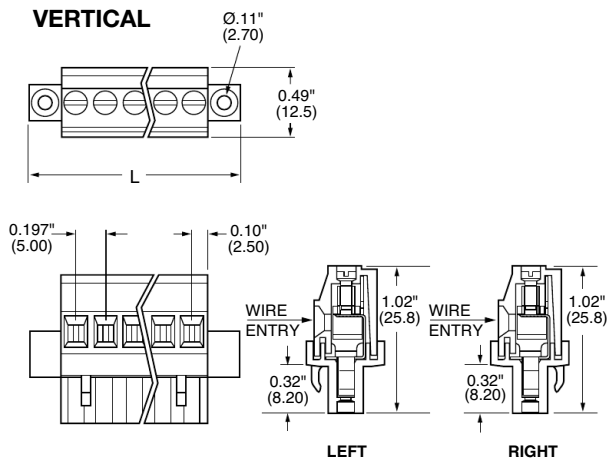
EM211514VL

**Dimensions - in (mm)**

**HORIZONTAL**



**VERTICAL**



Poles	L (mm)	L (Inch)	Poles	L (mm)	L (Inch)
2	20.0	0.787	13	75.0	2.952
3	25.0	0.984	14	80.0	3.149
4	30.0	1.181	15	85.0	3.346
5	35.0	1.378	16	90.0	3.543
6	40.0	1.575	17	95.0	3.740
7	45.0	1.772	18	100.0	3.937
8	50.0	1.969	19	105.0	4.133
9	55.0	2.165	20	110.0	4.330
10	60.0	2.362	21	115.0	4.527
11	65.0	2.559	22	120.0	4.724
12	70.0	2.756			

Terminal Blocks: Single Row

EuroMag Series Plug & Header

Edge Connectors, One-Sided Boards

Compliance References

**Part Numbering System** Inches (Millimeters)

<b>Series</b>	<b># of Poles</b>	<b>Orientation</b>	<b>Wire Entry</b>
EM2115	<input type="checkbox"/> <input type="checkbox"/>	<input type="checkbox"/>	<input type="checkbox"/>
	02 to 22	V - Vertical H - Horizontal	L - Left wire entry R - Right wire entry (specify for V orientation)

Mating Header: EM2215 pg. 95

**EM3115 Series  
EuroMag Terminal Blocks**

Pluggable Block; Top Entry (Mates with EM2215 Series); 5.00 Centers

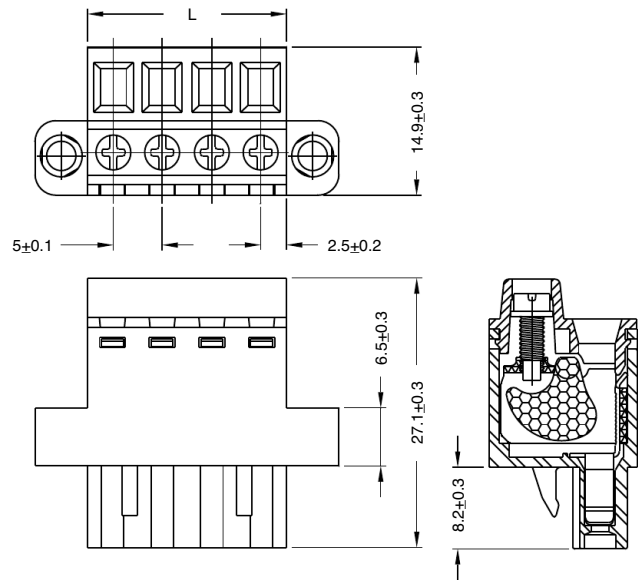
**SPECIFICATIONS**

- Rating:** 16A, 300V
- Center Spacing:** 0.197" (5.00mm)
- Wire Range:** #12-24 AWG
- Housing Material:** UL rated 94V0 Thermoplastic
- Contact Material:** Brass Tin-Plated
- Cage Material:** Brass, Nickel-Plated
- Screw Size:** M2.6 Zinc-Plated Steel
- Operating Temperature:** 105°C (221°F) max., -40°C (-40°F) min.
- Torque Rating:** 4.5 lb-in.
- Construction:** Mold-to-Length
- Agency Information:** File E62622; CE Certified



EM311503

**Dimensions - mm**



Poles	L (mm)	Poles	L (mm)
2	20.0	14	80.0
3	25.0	15	85.0
4	30.0	16	90.0
5	35.0	17	95.0
6	40.0	18	100.0
7	45.0	19	105.0
8	50.0	20	110.0
9	55.0	21	115.0
10	60.0	22	120.0
11	65.0	23	125.0
12	70.0	24	130.0
13	75.0		

To convert to inches, divide by 25.4

**Part Numbering System**

Series                      # of Poles

**EM3115**                      □□

02 to 22

Mating Header: EM2215 pg. 95

Terminal Blocks: Single Row

EuroMag Series Plug & Header

Edge Connectors, One-Sided Boards

Compliance References

### Series EM2215

Header with Flanges; (Mates with EM2115, EM3115 Series); 5.00 Centers

**SPECIFICATIONS:**

**Rating:** 16A, 300V

**Center Spacing:** 0.197" (5.00mm)

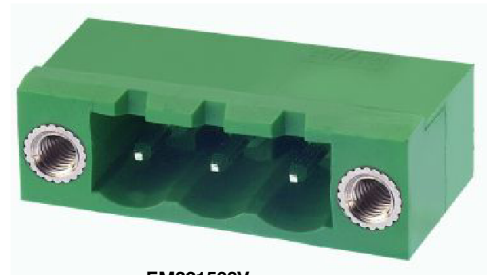
**Housing Material:** UL rated 94V0 Thermoplastic

**Contact Material:** Tin-Plated Brass

**Operating Temperature:** 105°C (221°F) max., -55°C (-67°F) min.

**Construction:** Mold-to-Length

**Agency Information:** File E62622; CE Certified

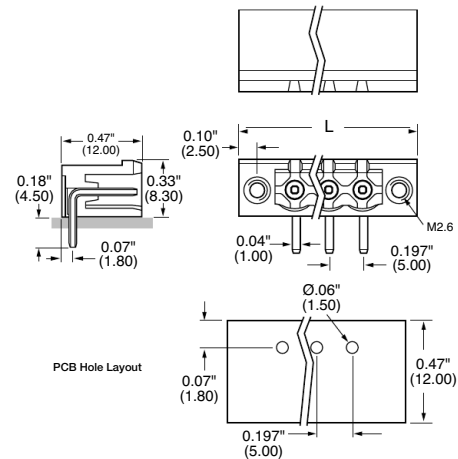


EM221503V

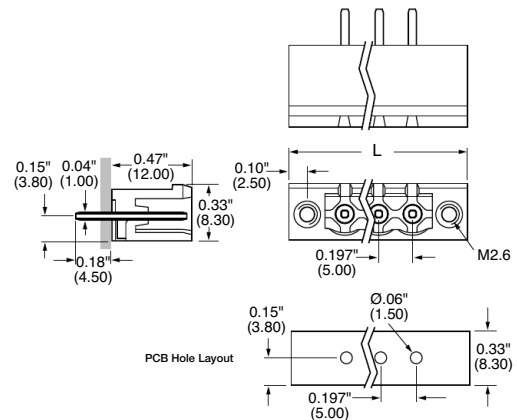
Poles	L (mm)	L (Inch)	Poles	L (mm)	L (Inch)
2	10.0	0.393	13	65.0	2.559
3	15.0	0.590	14	75.0	2.953
4	20.0	0.787	15	80.0	3.150
5	25.0	0.984	16	85.0	3.346
6	30.0	1.181	17	90.0	3.543
7	35.0	1.378	18	95.0	3.740
8	40.0	1.575	19	100.0	3.937
9	45.0	1.772	20	105.0	4.133
10	50.0	1.969	21	110.0	4.331
11	55.0	2.165	22	115.0	4.528
12	60.0	2.362			

**Dimensions - in (mm)**

**HORIZONTAL**



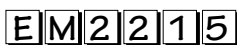
**VERTICAL**



### Part Numbering System

Inches (Millimeters)

Series



# of Poles



02 to 22

Orientation



H - Horizontal  
V - Vertical

**Mating Plugs:** EM2115 pg. 93  
EM3115 pg. 94

Terminal Blocks:  
Single Row

EuroMag Series  
Plug & Header

Edge Connectors,  
One-Sided Boards

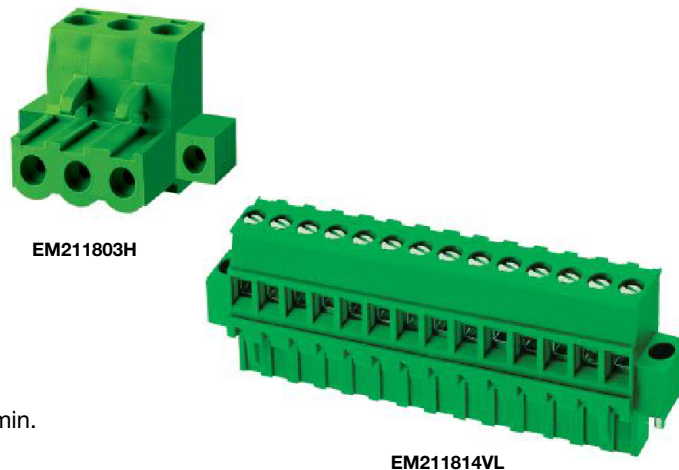
Compliance  
References

### Series EM2118 Series

Pluggable Terminal Block with Flanges;  
(Mates with EM2218 Series); 5.08 Centers

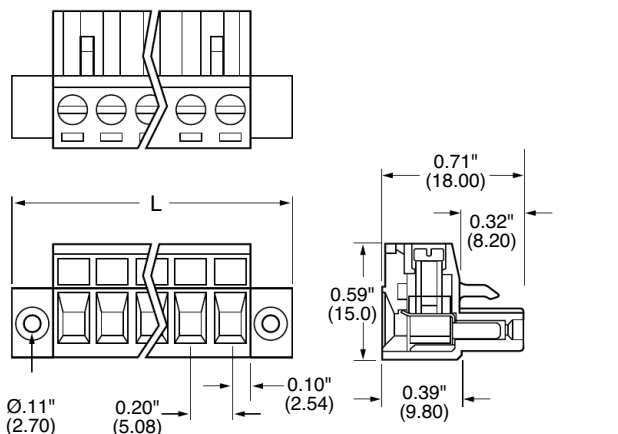
**SPECIFICATIONS:**

- Rating:** 16A, 300V
- Center Spacing:** 0.20" (5.08mm)
- Wire Range:** #12-24 AWG
- Housing Material:** UL rated 94V0 Thermoplastic
- Contact Material:** Tin-Plated Phosphor Bronze
- Screw Size:** M 2.6 Nickel-Plated Steel
- Operating Temperature:** 105°C (221°F) max., -55°C (-67°F) min.
- Torque Rating:** 7.0 lb-in.
- Construction:** Mold-to-Length
- Agency Information:** US File E62622; CE Certified

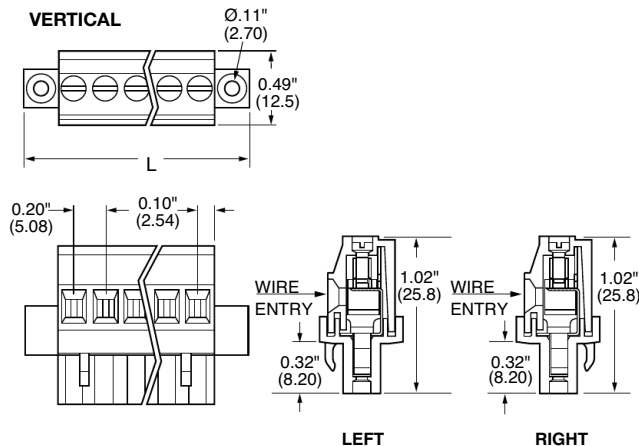


**Dimensions - in (mm)**

**HORIZONTAL**



**VERTICAL**

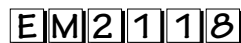


Poles	L (mm)	L (Inch)	Poles	L (mm)	L (Inch)
2	20.32	0.8	13	76.20	3.0
3	25.40	1.0	14	81.28	3.2
4	30.48	1.2	15	86.36	3.4
5	35.56	1.4	16	91.44	3.6
6	40.64	1.6	17	96.52	3.8
7	45.72	1.8	18	101.60	4.0
8	50.80	2.0	19	106.68	4.2
9	55.88	2.2	20	111.76	4.4
10	60.96	2.4	21	116.84	4.6
11	66.04	2.6	22	121.92	4.8
12	71.12	2.8			

### Part Numbering System

Inches (Millimeters)

Series



# of Positions



02 to 22

Orientation



V - Vertical  
H - Horizontal

Wire Entry



L - Left wire entry  
R - Right wire entry  
(specify for V orientation)

Mating Header: EM2218 pg. 98

Terminal Blocks:  
Single Row

EuroMag Series  
Plug & Header

Edge Connectors,  
One-Sided Boards

Compliance  
References

**EM3118 Series  
EuroMag Terminal Blocks**

Pluggable Block, Top Entry (Mates with EM2218 Series); 5.08 Centers

**SPECIFICATIONS**

- Rating:** 16A, 300V
- Center Spacing:** 0.20" (5.08mm)
- Wire Range:** #12-24 AWG
- Housing Material:** UL rated 94V0 Thermoplastic
- Contact Material:** Brass Tin-Plated
- Cage Material:** Brass, Nickel-Plated
- Screw Size:** M2.6 Zinc-Plated Steel
- Operating Temperature:** 105°C (221°F) max., -40°C (-40°F) min.
- Torque Rating:** 4.5 lb-in.
- Construction:** Mold-to-Length
- Agency Information:** File E62622; CE Certified

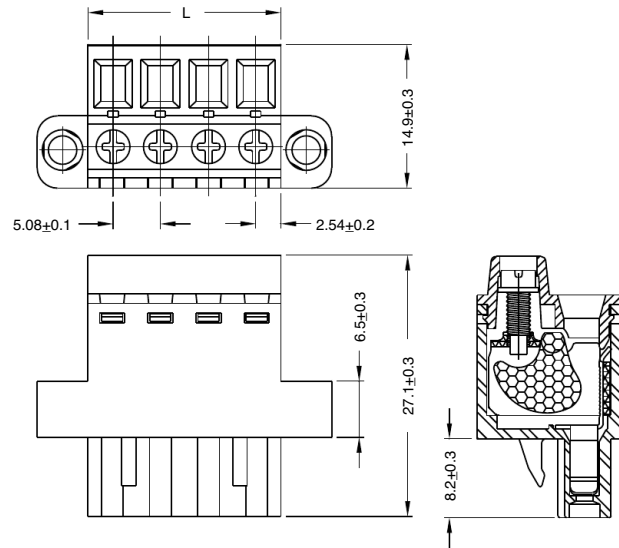


EM311803

Poles	L (mm)	Poles	L (mm)
2	20.32	13	76.20
3	25.40	14	81.28
4	30.48	15	86.36
5	35.45	16	91.44
6	40.64	17	96.52
7	45.72	18	101.60
8	50.80	19	106.68
9	55.88	20	111.76
10	60.96	21	116.84
11	66.04	22	121.92
12	71.12		

To convert to inches, divide by 25.4

**Dimensions - mm**



Terminal Blocks:  
Single Row

EuroMag Series  
Plug & Header

Edge Connectors,  
One-Sided Boards

Compliance  
References

**Part Numbering System**

Series                      # of Poles

**EM3118**                     

02 to 22

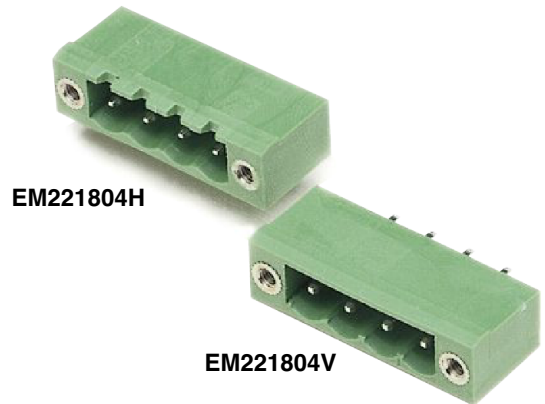
Mating Header: EM2218 pg. 98

**Series EM2218**

Header with Flanges; (Mates with EM2118, EM3118 Series); 5.08 Centers

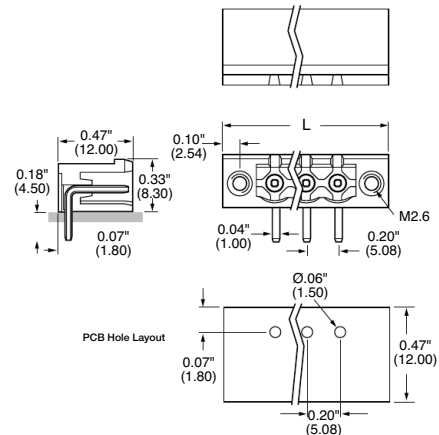
**SPECIFICATIONS:**

- Rating:** 12A, 300V
- Center Spacing:** 0.20" (5.08mm)
- Housing Material:** UL rated 94V0 Thermoplastic
- Contact Material:** Tin-Plated Brass
- Operating Temperature:** 105°C (221°F) max., -55°C (-67°F) min.
- Recommended PCB Hole Diameters:** 0.059" (1.50mm)
- Construction:** Mold-to-Length
- Agency Information:** File E62622; CE Certified

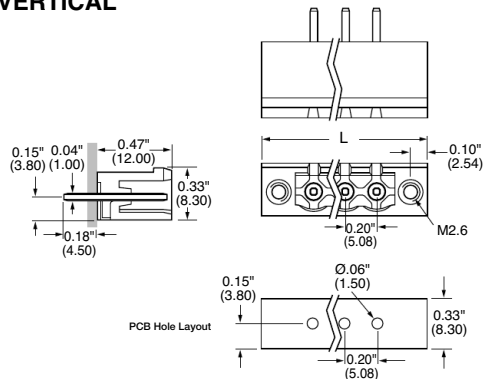


**Dimensions - in (mm)**

**HORIZONTAL**



**VERTICAL**



Poles	L (mm)	L (Inch)	Poles	L (mm)	L (Inch)
2	20.32	0.8	12	71.12	2.8
3	25.40	1.0	13	76.20	3.0
4	30.48	1.2	14	81.28	3.2
5	35.56	1.4	15	86.36	3.4
6	40.64	1.6	16	91.44	3.6
7	45.72	1.8	17	96.52	3.8
8	50.80	2.0	18	101.60	4.0
9	55.88	2.2	19	106.68	4.2
10	60.95	2.4	20	111.76	4.4
11	66.04	2.6			

**Part Numbering System**

Series: **EM2218**

# of Poles:   (02 to 22)

Orientation:  H - Horizontal  
 V - Vertical

Inches (Millimeters)

**Mating Plugs:** EM2118 pg. 96  
EM3118 pg. 97



**EM3516 Series  
EuroMag Terminal Blocks**

Pluggable Block (Mates with EM3526 Series);  
7.62 Centers

**SPECIFICATIONS**

- Rating:** 16A, 300V
- Center Spacing:** 0.30" (7.62mm)
- Wire Range:** #12-24 AWG
- Housing Material:** UL rated 94V0 Thermoplastic
- Contact Material:** Tin-Plated Brass
- Cage Material:** Brass, Nickel-Plated
- Screw Size:** M3.0 Zinc-Plated Steel
- Operating Temperature:** 105°C (221°F) max., -40°C (-40°F) min.
- Torque Rating:** 4.5 lb-in.
- Construction:** Mold-to-Length
- Agency Information:** File E62622; CE Certified

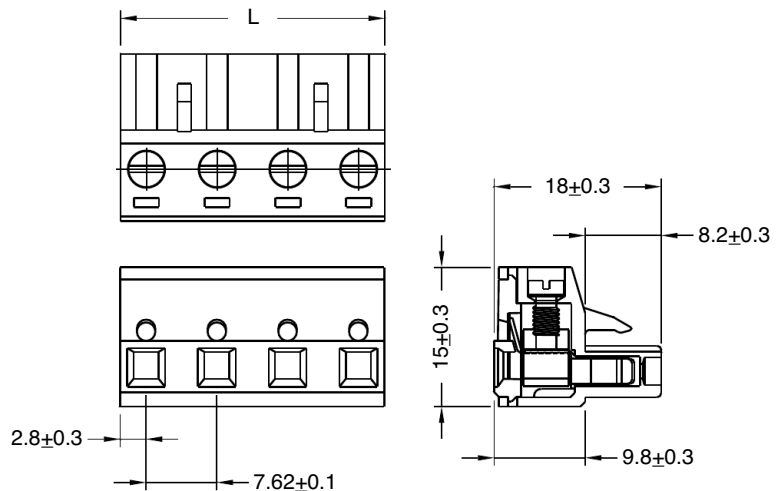


EM351603

Poles	L (mm)
2	8.41
3	12.22
4	16.03
5	19.84
6	23.65
7	27.46
8	31.27
9	35.08
10	38.89
11	42.70
12	46.51

To convert to inches, divide by 25.4

**Dimensions - mm**



**Part Numbering System**

Series                      # of Poles

**EM3516**      □□

02 to 12

Mating Header: EM3526 pg. 100

Terminal Blocks:  
Single Row

EuroMag Series  
Plug & Header

Edge Connectors,  
One-Sided Boards

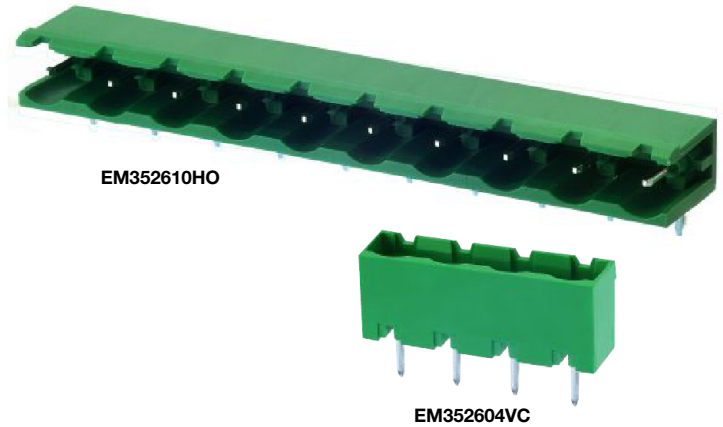
Compliance  
References

**EM3526 Series  
EuroMag Terminal Blocks**

Closed and Open Header (Mates with EM3516 Series); 7.62 Centers

**SPECIFICATIONS**

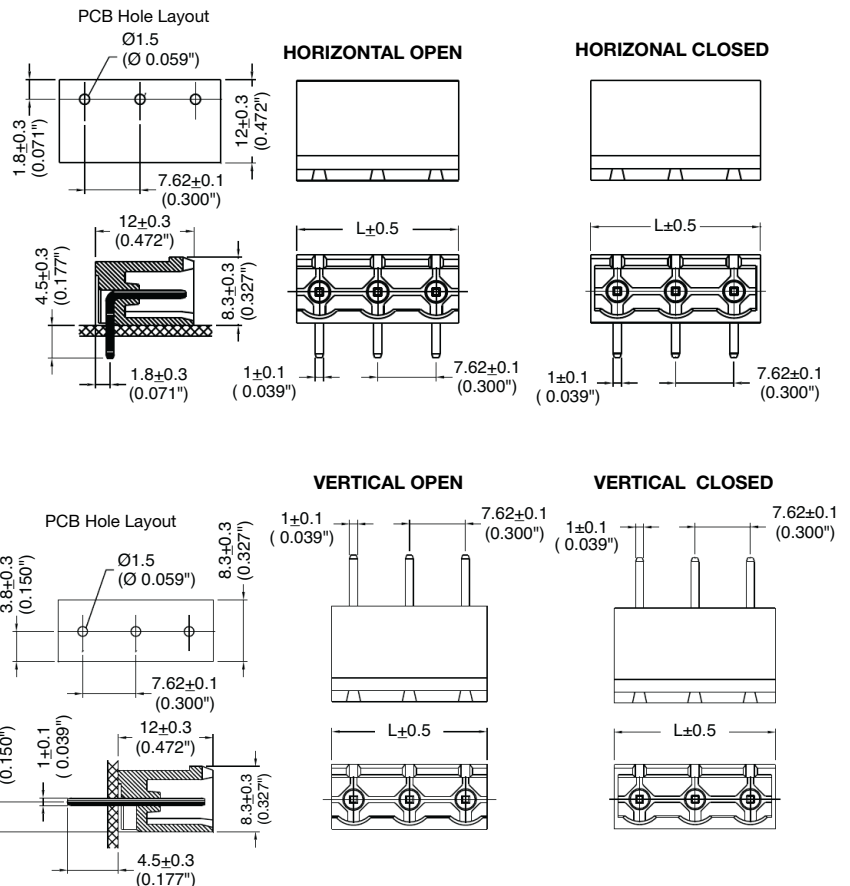
- Rating:** 15A, 300V
- Center Spacing:** 0.30" (7.62mm)
- Housing Material:** UL rated 94V0 Thermoplastic
- Contact Material:** Brass Tin-Plated
- Operating Temperature:** 105°C (221°F) max., -40°C (-40°F) min.
- Recommended PCB Hole Diameters:** 0.055" (1.40mm)
- Construction:** Mold-to-Length
- Agency Information:** File E62622; CE Certified



**Dimensions - mm (in)**

Poles	Open L (mm)	Closed L (mm)
2	13.44	15.24
3	21.06	22.86
4	28.68	30.48
5	36.60	38.10
6	43.92	45.72
7	51.54	53.34
8	59.16	60.96
9	66.78	68.58
10	74.40	76.20
11	82.02	83.82
12	89.64	91.44

To convert to inches, divide by 25.4



**Part Numbering System**

Series	# of Poles	Orientation	Side Base	Mating Plug: EM3516 pg. 99
<b>EM3526</b>	<input type="checkbox"/> <input type="checkbox"/>	<input type="checkbox"/>	<input type="checkbox"/>	
	<b>02 to 24</b>	<b>H</b> - horizontal <b>V</b> - vertical	<b>O</b> - open <b>C</b> - closed	

Terminal Blocks: Single Row  
EuroMag Series Plug & Header  
Edge Connectors, One-Sided Boards  
Compliance References

**EM2416 Series**  
**EuroMag Terminal Blocks**  
 Pluggable Block with Flanges (Mates with EM2426 Series); 7.62 Centers

**SPECIFICATIONS**

- Rating:** 16A, 300V
- Center Spacing:** 0.30" (7.62mm)
- Wire Range:** #12-24 AWG
- Housing Material:** UL rated 94V0 Thermoplastic
- Contact Material:** Tin-Plated Brass
- Cage Material:** Brass, Nickel-Plated
- Screw Size:** M2.6 Zinc-Plated Steel
- Operating Temperature:** 105°C (221°F) max., -40°C (-40°F) min.
- Torque Rating:** 7.0 lb-in.
- Construction:** Mold-to-Length
- Agency Information:** File E62622; CE Certified

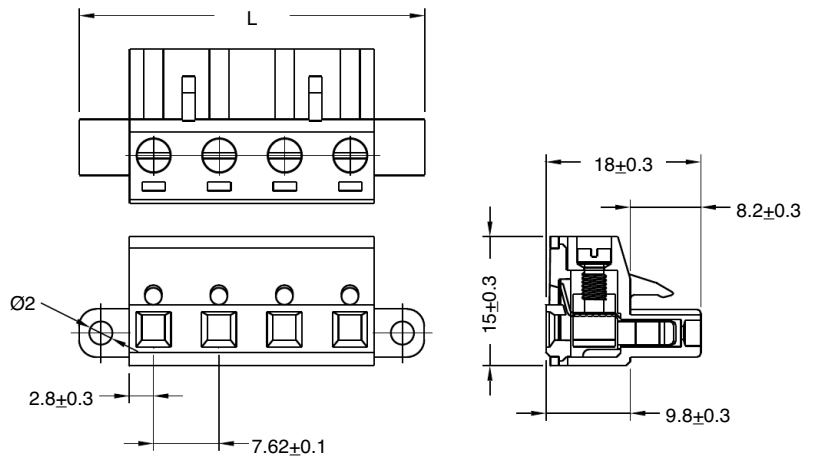


EM241602

Poles	L (mm)
2	24.90
3	32.50
4	40.10
5	47.80
6	55.40
7	63.00
8	70.60
9	78.20
10	89.90
11	93.50
12	101.10

To convert to inches, divide by 25.4

**Dimensions - mm**



**Part Numbering System**

Series                      # of Poles

**EM2416**                 

                                    02 to 12

Mating Header: EM2426 pg. 102

Terminal Blocks:  
Single Row

EuroMag Series  
Plug & Header

Edge Connectors,  
One-Sided Boards

Compliance  
References

## EM2426 Series EuroMag Terminal Blocks

Header with Flanges (Mates with EM2416 Series); 7.62 Centers

### SPECIFICATIONS

**Rating:** 15A, 300V

**Center Spacing:** 0.30" (7.62mm)

**Housing Material:** UL rated 94V0 Thermoplastic

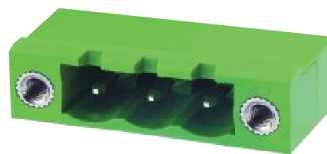
**Contact Material:** Tin-Plated Brass

**Operating Temperature:** 105°C (221°F) max., -40°C (-40°F) min.

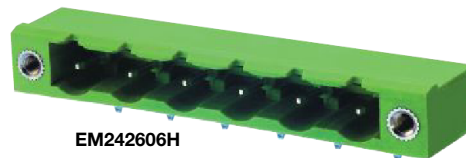
**Recommended PCB Hole Diameters:** 0.059" (1.50mm)

**Construction:** Mold-to-Length

**Agency Information:** File E62622; CE Certified



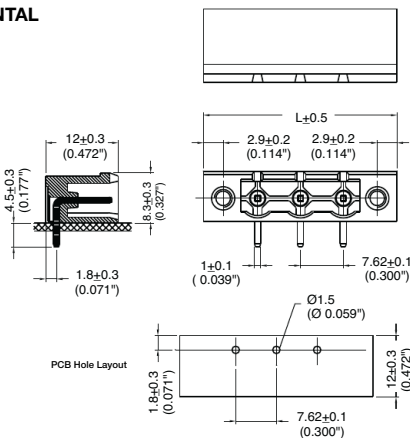
EM242603V



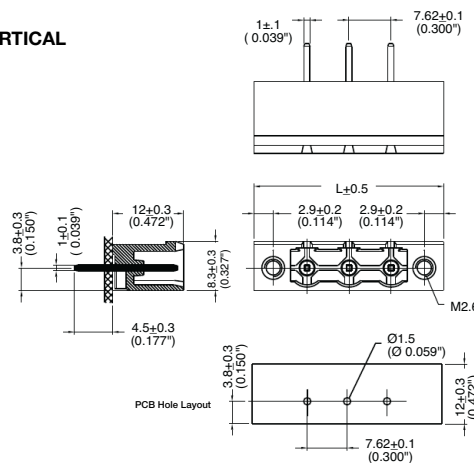
EM242606H

### Dimensions - mm (in)

#### HORIZONTAL



#### VERTICAL



Poles	L (mm)	Poles	L (mm)
2	25.62	8	71.34
3	33.24	9	78.96
4	40.86	10	86.58
5	48.48	11	94.20
6	56.10	12	101.80
7	63.72		

To convert to inches, divide by 25.4

## Part Numbering System

Series

**EM2426**

# of Poles

02 to 12

Orientation

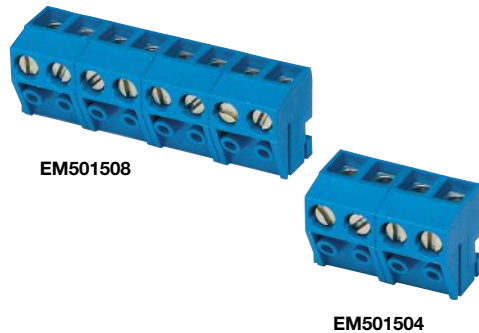
**H** - horizontal  
**V** - vertical

Mating Plug: EM2416 pg. 101

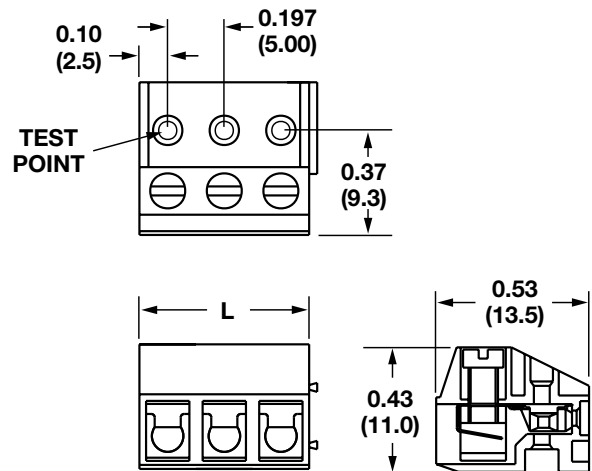
**EM5015 Series**  
**EuroMag Terminal Blocks**  
 Pluggable Block  
 (Mates with EM5025 Series); 5.00 Centers

**SPECIFICATIONS**

- Rating:** 15A, 300V
- Center Spacing:** 0.197" (5.00mm)
- Wire Range:** #16-24 AWG
- Housing Material:** Blue UL 94V0 Thermoplastic
- Contact Material:** Tin-Plated Brass
- Screw Size:** M2x6 Chromatized Steel
- Operating Temperature:** 120°C (221°F) max., -40°C (-40°F) min.
- Torque Rating:** 3.0 lb-in.
- Construction:** Modular design features dovetails for interlocking to achieve longer lengths
- Connector Style:** Spring and Screw
- Agency Information:** US File E62622; CE Certified

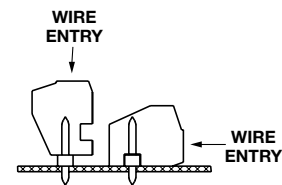


**Dimensions - in (mm)**



Poles	L (mm)	Poles	L (mm)
2*	10.0	14	70.0
3*	15.0	15	75.0
4	20.0	16	80.0
5	25.0	17	85.0
6	30.0	18	90.0
7	35.0	19	95.0
8	40.0	20	100.0
9	45.0	21	105.0
10	50.0	22	110.0
11	55.0	23	115.0
12	60.0	24	120.0
13	65.0		

To convert to inches, divide by 25.4  
 \*Mold-to-Length



**Mating orientations**

**Part Numbering System**

Series                      # of Poles

**EM5015**                 

                                    02 to 24

Mating Header: EM5025 pg. 104

Terminal Blocks:  
Single Row

EuroMag Series  
Plug & Header

Edge Connectors,  
One-Sided Boards

Compliance  
References

**EM5025 Series**

**EuroMag Terminal Blocks**

Header (Mates with EM5015 Series);  
5.00 Centers

**SPECIFICATIONS**

Rating: 15A, 300V

Center Spacing: 0.197" (5.00mm)

Housing Material: Black UL 94V0 Thermoplastic

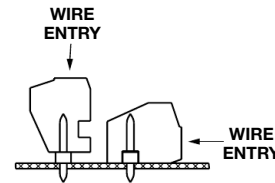
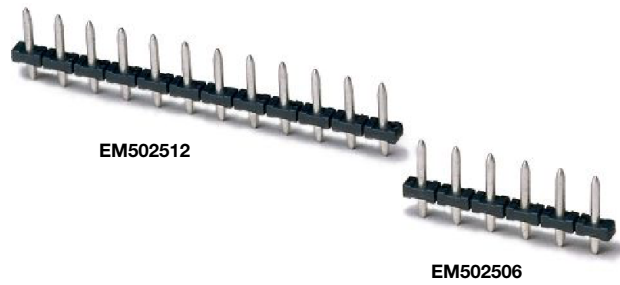
Contact Material: Tin-Plated Brass

Operating Temperature: 120°C (221°F) max., -40°C (-40°F) min.

Recommended PCB Hole Diameters: 0.059" (1.50mm)

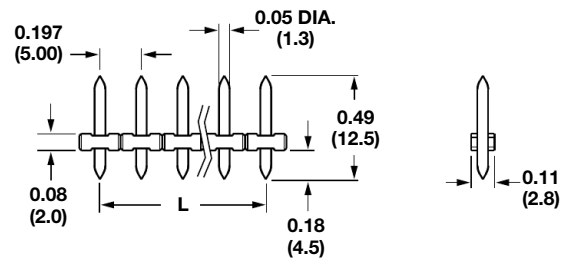
Construction: Mold-to-Length

Agency Information: File E62622; CE Certified



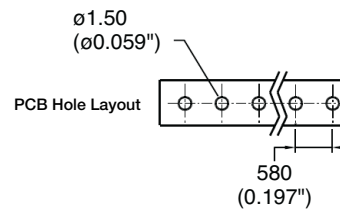
**Mating orientations**

**Dimensions - in (mm)**



Poles	L (mm)	Poles	L (mm)
2	10.0	14	70.0
3	15.0	15	75.0
4	20.0	16	80.0
5	25.0	17	85.0
6	30.0	18	90.0
7	35.0	19	95.0
8	40.0	20	100.0
9	45.0	21	105.0
10	50.0	22	110.0
11	55.0	23	115.0
12	60.0	24	120.0
13	65.0		

To convert to inches, divide by 25.4



**Part Numbering System**

Series

# of Poles

Mating Plug: EM5015 pg. 103

**EM5025**

02 to 24

Terminal Blocks:  
Single Row

EuroMag Series  
Plug & Header

Edge Connectors,  
One-Sided Boards

Compliance  
References

**EM5035 Series**  
**EuroMag Terminal Blocks**  
 Pluggable Block, Stackable  
 (Mates with EM5045 Series) 5.00 Centers

**SPECIFICATIONS**

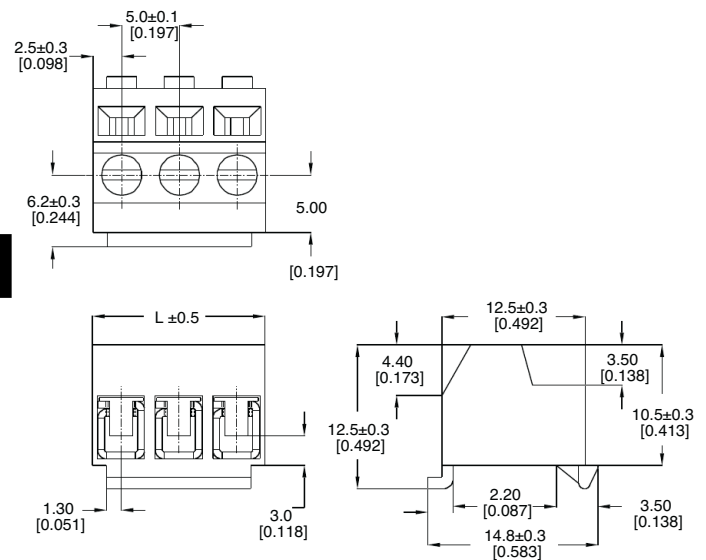
- Rating:** 10A, 300V
- Center Spacing:** 0.197" (5.00mm)
- Wire Range:** #16-24 AWG
- Housing Material:** Black UL 94V0 Thermoplastic
- Contact Material:** Tin-Plated Brass
- Wire Protector:** Phosphor Bronze, Tin-Plated
- Screw Size:** M2.6 Chromatized Steel
- Operating Temperature:** 105°C (221°F) max., -40°C (-40°F) min.
- Torque Rating:** 3.0 lb-in.
- Construction:** Modular design features dovetails for interlocking to achieve longer lengths
- Agency Information:** File E62622; CE Certified



EM503503                      EM503502

Shown with EM5045series header - order separately

**Dimensions - mm (in)**



Poles	L (mm)	Poles	L (mm)
2	10.0	14	70.0
3	15.0	15	75.0
4	20.0	16	80.0
5	25.0	17	85.0
6	30.0	18	90.0
7	35.0	19	95.0
8	40.0	20	100.0
9	45.0	21	105.0
10	50.0	22	110.0
11	55.0	23	115.0
12	60.0	24	120.0
13	65.0		

To convert to inches, divide by 25.4

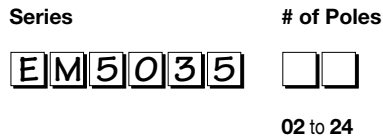
Terminal Blocks: Single Row

EuroMag Series Plug & Header

Edge Connectors, One-Sided Boards

Compliance References

**Part Numbering System**



Mating Header: EM5045 pg. 106



**EM5045 Series**

**Euro-Mag Terminal Blocks**

Header (Mates with EM5035 Series);  
5.00 Centers

**SPECIFICATIONS**

Rating: 10A, 300V

Center Spacing: 0.197" (5.00mm)

Housing Material: Black UL 94V0 Thermoplastic

Contact Material: Tin-Plated Brass

Operating Temperature: 105°C (221°F) max., -40°C (-40°F) min.

Recommended PCB Hole Diameters: 0.059" (1.50mm)

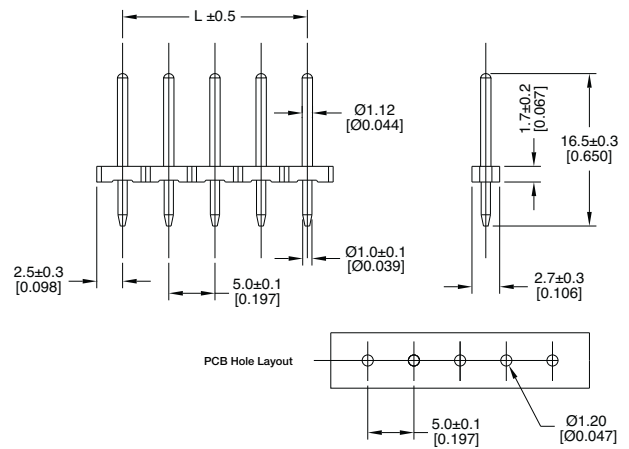
Construction: Mold-to-Length

Agency Information: File E62622; CE Certified



EM504513

**Dimensions - mm (in)**



Poles	L (mm)	Poles	L (mm)
2	5.0	14	65.0
3	10.0	15	70.0
4	15.0	16	75.0
5	20.0	17	80.0
6	25.0	18	85.0
7	30.0	19	90.0
8	35.0	20	95.0
9	40.0	21	100.0
10	45.0	22	105.0
11	50.0	23	110.0
12	55.0	24	115.0
13	60.0		

To convert to inches, divide by 25.4

**Part Numbering System**

Series

# of Poles

Mating Plug: EM5035 pg. 105

**EM5045**

02 to 24

Terminal Blocks:  
Single Row

EuroMag Series  
Plug & Header

Edge Connectors,  
One-Sided Boards

Compliance  
References



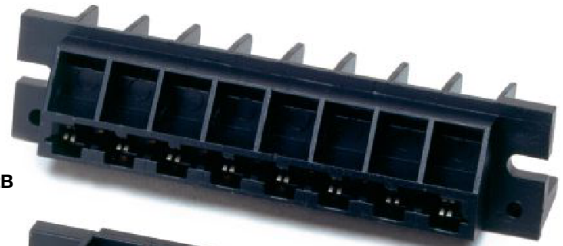
### Series 1384X

Edge Connectors –  
1 Sided Boards/Vertical Mount

#### SPECIFICATIONS

**Rating:** 10A, 250V  
**Center Spacing:** 0.375" or 3/8" (9.52mm)  
**Wire Range:** #14-22 AWG Cu; entry to PC board at 90° angle.  
**Number of Poles:** 4- to 16-poles  
**PC Board:** Edge contact accepts standard 1/16" (0.0625) PCB.  
**Contacts:** Cantilever design 0.02" thick phosphorus bronze with mating surface tin-plated (0.0002) over copper (0.00005).  
**Terminals:** Pressure plate terminals.  
**Material:** Black, UL Rated 94V0 Thermoplastic (125°C)  
**Operating Temperature:** -55°C to 105°C (212°F)  
**Agency Information:** File E62622; CSA File 47235

13848-08G02B



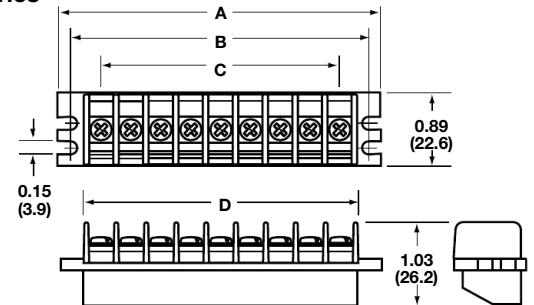
13847-08T02B

Poles	A	B	C	D
04	2.25	1.87	1.12	1.53
05	2.62	2.25	1.50	1.90
06	3.00	2.62	1.87	2.28
08	3.75	3.37	2.62	3.03
10	4.50	4.12	3.37	3.78
12	5.25	4.87	4.12	4.53
14	6.00	5.62	4.87	5.28
16	6.75	6.37	5.62	6.03
18	7.50	7.12	6.37	6.40

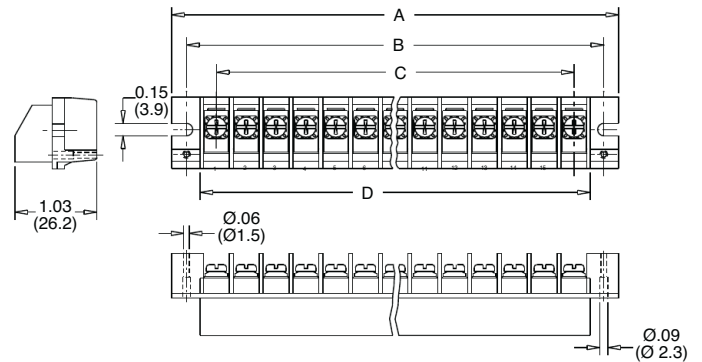
\* Dimensions in inches. To convert to millimeters, multiply by 25.4.  
 Optional polarizing key (Part No. C5971) consult with factory.

#### Dimensions - in (mm)

##### 13847 Series



##### 13848 Series



### Part Numbering System

Series	Block Style	Poles	Terminal Plating	Screw Style	Block Color	Special Options
<b>1384</b>	<input type="checkbox"/> — <input type="checkbox"/>	<input type="checkbox"/> <input type="checkbox"/>	<input type="checkbox"/>	<b>02</b>	<b>B</b> — <input type="checkbox"/>	<input type="checkbox"/>
	7 - Flat mtg. ears w/ 2 slots 8 - Mtg. ears w/2 standoffs with hole for mounting strip	<b>04 to 18</b>	<b>T</b> - Tin over copper <b>G</b> - Gold*	<b>02</b> - #6-32 pan head. w/ SEMS wire clamp	<b>B</b> - Black	<b>M</b> - Marking strip

\* Consult Factory

Terminal Blocks: Single Row  
EuroMag Series  
Edge Connectors, One-Sided Boards  
Compliance References

**Series 15104**

Edge Connectors – 1 Sided Boards / Right Angle Mount

**SPECIFICATIONS**

**Rating:** 10A, 300V

**Center Spacing:** 0.375" or 3/8" (9.52mm)

**Wire Range:** #12-22 AWG Cu

**Number of Poles:** 6- to 28-poles

**Screw Size:** #6-32

**Torque Rating:** 12 lb-in

**Terminals:** Pressure plate terminals with screws set at 45° or 90° angle

**PC Board:** Edge contact accepts standard 1/6" (0.0625) PCB

**Contacts:** Tuning fork design of 0.021" thick phosphorus bronze with 0.0001" bright tin-plating

**Material:** Black, UL Rated 94V0 Thermoplastic

**Operating Temperature:** 95°C max.

**Agency Information:** UL File E62622, CSA File 47235



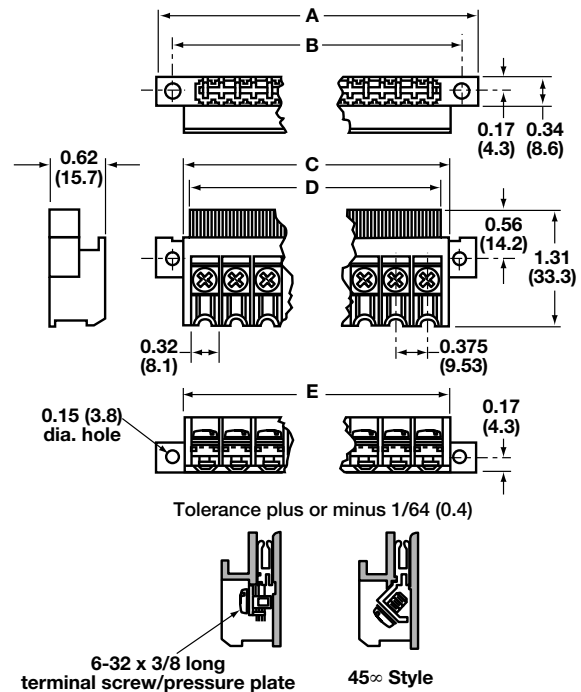
15104-061T1

Poles	A	B	C	D	E	Board Width
06	3.00	2.62	2.00	2.16	2.36	1.99
08	3.75	3.37	2.75	2.91	3.11	2.74
10	4.50	4.12	3.50	3.66	3.86	3.49
12	5.25	4.87	4.25	4.41	4.61	4.24
14	6.00	5.62	5.00	5.16	5.36	4.99
16	6.75	6.37	5.75	5.91	6.11	5.74
18	7.50	7.12	6.50	6.66	6.86	6.49
20	8.25	7.87	7.25	7.41	7.61	7.23
22	9.00	8.62	8.00	8.16	8.36	7.98
24	9.75	9.37	8.75	8.91	9.11	8.73
26	10.50	10.12	9.50	9.66	9.86	9.48
28	11.25	10.87	10.25	10.41	10.61	10.23

\* Dimensions in inches. To convert to millimeters, multiply by 25.4. Integral standoffs for mounting marker strips - consult factory.

Dimensions - in (mm)

15104 Series



Tolerance plus or minus 1/64 (0.4)

6-32 x 3/8 long terminal screw/pressure plate

45° Style

**Part Numbering System**

Series



Poles



06 to 28 (Increments of 2)

Terminal



1 - 90° angle  
2 - 45° angle

Plating



T - Tin  
G - Gold\*

Screw



1 - #6-32 pan head. w/wire clamp

\* Consult Factory

## Eaton Compliance References

### UL1059 & CSA 22.2 No. 158 Voltage Rating

Voltage ratings of terminal blocks are based on the minimum spacing between electrically conductive parts and a minimum withstand voltage. The spacings are measured under two conditions: 1) through air, defined as the shortest distance an arc must travel through an air path from one electrically conductive part to another at opposite polarity or from an electrically conductive part to a grounded surface; and 2) over surface, defined as the shortest distance an arc must travel as it tracks along the surface of an insulating material from one electrically conductive part to another at opposite polarity or from an electrically conductive part to a grounded surface. The withstand voltage, termed dielectric withstand, is dependent on the voltage rating. The value is 1000V plus twice the rated voltage for one minute. This is tested under both conditions listed above. The following chart shows the UL 1059 and CSA 22.2 No. 158 spacing requirements, in inches.

### IEC Compliance

Some Eaton Bussmann® series terminal blocks comply with the requirements in IEC Publication 60947-7-1 Terminal Blocks for Eaton Conductors. these blocks are concurrently recognized and certified under the UL Classification Program. Ratings, except where indicated, are concurrent with UL 1059.

### CE

In 1998, Bussmann received CE certification on all products. For terminal blocks, CE is a self-certification mark applied to products that have met safety and performance requirements set forth by the European Union (EU). This mark is required for free movement of product in the European market.

Application	Voltage Rating	Spacing Through Air	Spacing Over Surface
<b>CLASS A</b> Service equipment, including dead-front switchboards, panelboards, service entrance devices, etc.	51 - 150	0.50	0.75
	151 - 300	0.75	1.25
	301 - 600	1.00	2.00
<b>CLASS B</b> Commercial appliances, including business equipment, electronic data processing equipment, etc.	51 - 150	0.06	0.06
	151 - 300	0.09	0.09
	301 - 600	0.38	0.50
<b>CLASS C</b> General industrial, including machine tool controls, which can further be defined as equipment governed by UL 508.	51 - 150	0.13	0.25
	151 - 300	0.25	0.38
	301 - 600	0.38	0.50
<b>CLASS D</b> Industrial devices having limited ratings.	51 - 300	0.06	0.13
	301 - 600	0.19	0.38

Bussmann Series	CLASS A			CLASS B			CLASS C			CLASS D	
	51-150 Volts	151-300 Volts	301-600 Volts	51-150 Volts	151-300 Volts	301-600 Volts	51-150 Volts	151-300 Volts	301-600 Volts	51-300 Volts	301-600 Volts
A/CB1000					X		X			X	
A/CB2000					X			X			
LP2000					X		X				
A/CB3000						X			X		
LP3000					X		X				
A/B4000	X					X			X		
A/CB5000					X		X			X	

Terminal Blocks:  
Single Row

EuroMag Series

Edge Connectors,  
One-Sided Boards

Compliance  
References







## CONTACT US

### Customer Service and Inside Sales

#### Americas

Email: [elx.americas@eaton.com](mailto:elx.americas@eaton.com)

#### EMEA

Email: [elx.emea@eaton.com](mailto:elx.emea@eaton.com)

#### China

Email: [elx.cn@eaton.com](mailto:elx.cn@eaton.com)

#### Japan

Email: [elx.jp@eaton.com](mailto:elx.jp@eaton.com)

#### Korea

Email: [elx.kr@eaton.com](mailto:elx.kr@eaton.com)

#### South East Asia

Email: [elx.sea@eaton.com](mailto:elx.sea@eaton.com)

#### Taiwan

Email: [elx.tw@eaton.com](mailto:elx.tw@eaton.com)

### Contact Information

Website: [www.eaton.com/electronics](http://www.eaton.com/electronics)

Connector Portfolio: [www.eaton.com/connectors](http://www.eaton.com/connectors)

Technical Support: [FuseTech@eaton.com](mailto:FuseTech@eaton.com)

Samples: <https://tools.eatonelectronics.com/request-form>

Contact Us: [www.eaton.com/electronics-contact-us](http://www.eaton.com/electronics-contact-us)

Magnetics: [InductorTech@eaton.com](mailto:InductorTech@eaton.com)

Circuit Protection: [FuseTech@eaton.com](mailto:FuseTech@eaton.com)

Supercapacitors: [CapacitorTech@eaton.com](mailto:CapacitorTech@eaton.com)

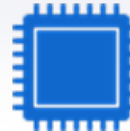
## TOOLS

### Eaton Electronics Product Selection Tools



#### PARAMETRIC SEARCH

Drill down into the Eaton Electronics product database to find the right part for your application.



#### IC MATCHING

Find the Eaton Electronics parts called out on IC manufacturers' demo and evaluation boards.



#### CROSS REFERENCE

Find a cross to a competitor's product or to an alternate Eaton Electronics part number.



#### SUPERCAPACITOR CALCULATOR

Determine your calculated requirements and design capability.



#### CONNECTOR SELECTOR

Find the right connector for any application.



#### AUTOMOTIVE ELECTRONICS SOLUTIONS

Find electronic sensors and components for automotive solutions.

[tools.eatonelectronics.com](http://tools.eatonelectronics.com)

# BUSSMANN SERIES