



Eaton
5735 W. Las Positas Blvd #100
Pleasanton, CA 94588
www.eaton.com/elx

Product Change Notice

PCN#: EE-PCN15011

10/22/2015

CLASSIFICATION OF CHANGE:

Shipping box and external and internal label update

DESCRIPTION OF CHANGE:

Shipping boxes and labels are being converted from Cooper Bussmann logo to Eaton logo. Please see page 2 to 4 of this document for new renderings.

REASON FOR CHANGE:

Updating packaging and label requirements in accordance with corporate Eaton branding standards.

EXPECTED INFLUENCE ON QUALITY, RELIABILITY, AND PERFORMANCE:

There will be no impact on the quality, reliability, or performance of any products inside of the packaging.

PART NUMBERS/ FAMILIES AFFECTED:

All Eaton Electronics Division part numbers will ship in the new boxing.

TIME SCHEDULE:

Existing inventory of Cooper Bussmann branded boxes and labels will be used first. These boxes and labels are still valid and should not be returned.

QUALIFICATION DATA:

Available upon request

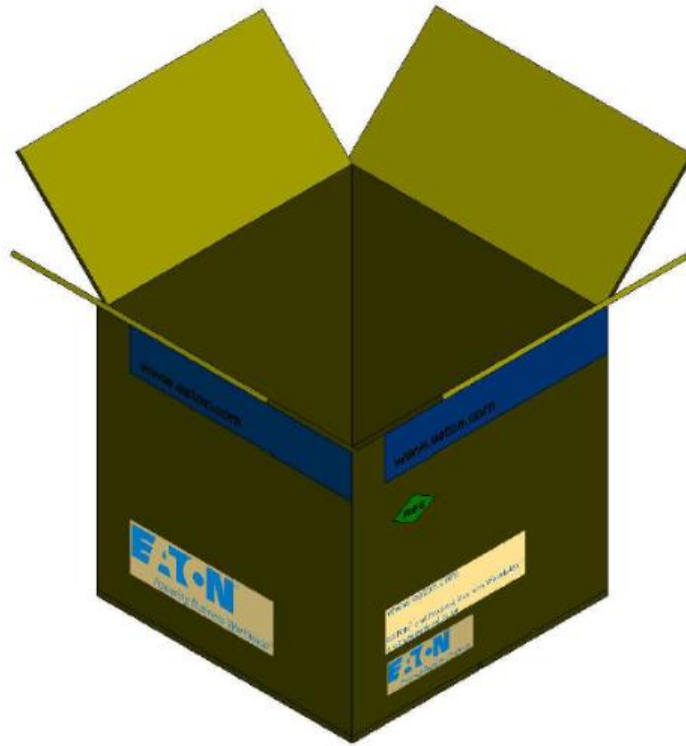
ISSUED BY:

Global MarCom Manager: Bridgette Stone

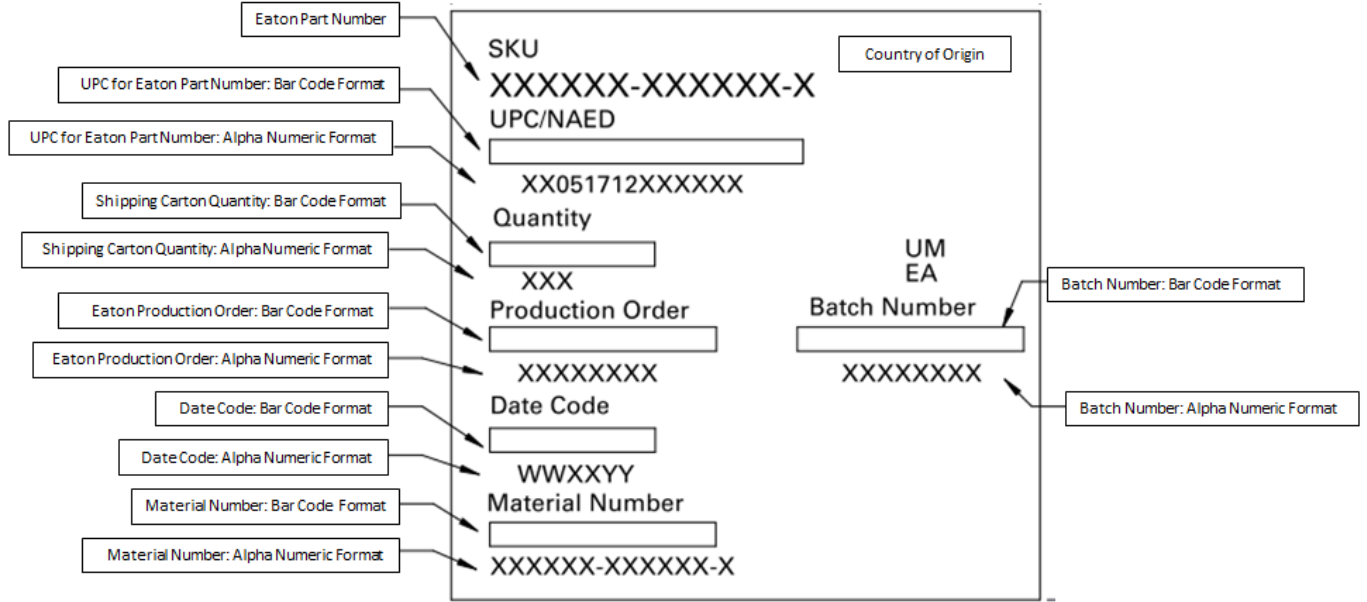
CONTACT INFORMATION:

For questions or comments, please contact your local [Eaton sales representative](#) or BridgetteStone@eaton.com

SHIPPING BOXES:



SHIPPING CARTON LABEL:



INNER CARTON LABEL EXAMPLE 1:

EAT•N [®]	Supercapacitors	YXXYXXX-XX
Part Number		XXX
Quantity		XXXXXXXXXXXX
		XXX
<input type="text"/>		
XX051712XXXXY		Made in China

INNER CARTON LABEL EXAMPLE 2:

EAT•N [®]	
<hr/>	
HCM0703-1R5-R	1500pcs
	
30051712543942	
Description: Inductor	
Date Code: 37CM14	
P.O.No: 4506383874	
Made in China	