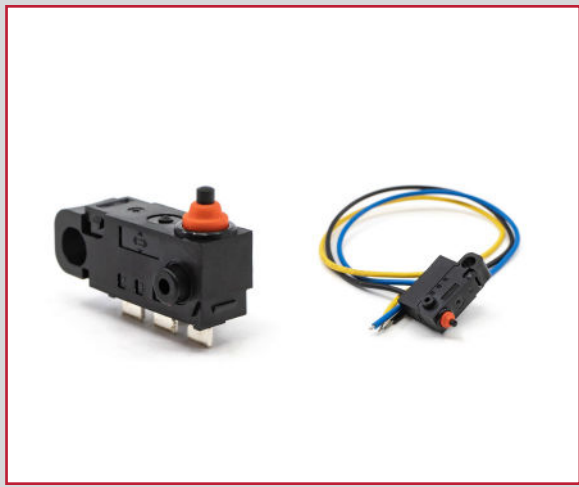


WS1 SERIES SNAP ACTION SWITCH

ANTI-VANDAL SWITCHES
 DETECTOR SWITCHES
 DIP SWITCHES
 KEYLOCK SWITCHES
 NAVIGATION SWITCHES
 PUSHBUTTON SWITCHES
 ROCKER SWITCHES
 ROTARY SWITCHES
 SLIDE SWITCHES
SNAP ACTION SWITCHES
 TACTILE SWITCHES
 TOGGLE SWITCHES
 CAP OPTIONS



APPLICATIONS / MARKETS



SPECIFICATIONS

Contact Rating: 01 = 0.1A @ 48VDC
 0.1A @ 125VAC, 250VAC
 3 = 3A @ 12VDC
 3A @ 125VAC, 250VAC

Contact Resistance: 150mΩ Max. (Initial)

Insulation Resistance: 100MΩ Max. @ 500VDC

Dielectric Strength: 500VAC for 1 minute

Electrical Life: 100,000 Cycles MIN.

Mechanical Life: 500,000 Cycles MIN.

Operating Temperature: -40°C to 85°C

Operating Force: 130 gf MAX.

Circuit: SPDT

Moisture Protection: IP67

Agency Approvals: cURus

FEATURES & BENEFITS

- Current rating options
- Multiple termination options
- Long cycle life
- IP67 rated
- UL Certified

PART NUMBER CONFIGURATOR

Series	Operating Temperature	Current Rating	Actuator	Operating Force	Termination	Circuit
WS1	085 - 85°C	01 - 0.1A @ 48VDC 0.1A @ 125VAC, 250VAC 3 - 3A @ 125VDC 3A @ 125VAC, 250VAC	00 - Pin Plunger	F130 - 130 gf	S - Solder Lug W - Wire Leads (162mm Length)	A - SPDT

Specifications subject to change without notice 8.3.2022



E-SWITCH®

www.e-switch.com

800.867.2717

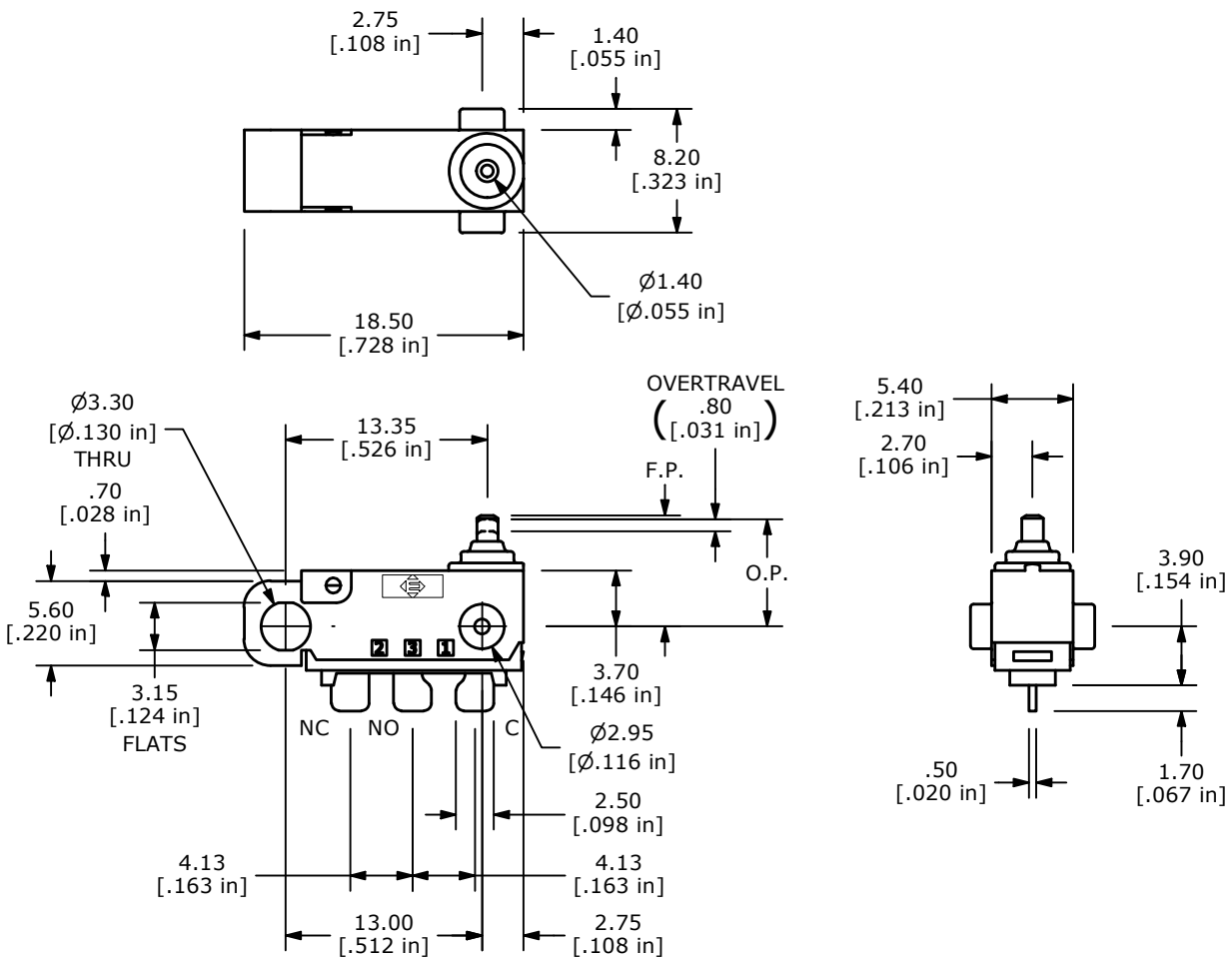
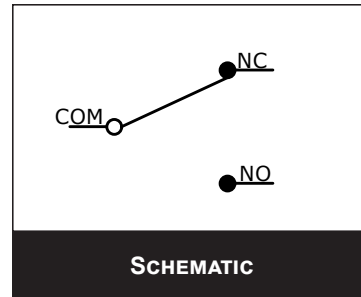
1

WS1 SERIES SNAP ACTION SWITCH

BODY DIMENSIONS - SOLDER LUG

O.P. (MM)	F.P. (MM)
6.40~6.95	7.35 MAX

O.P. = OPERATING POINT
F.P. = FREE-POSITION



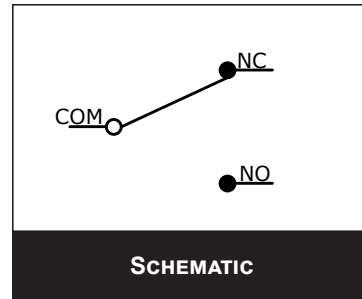
- ANTI-VANDAL SWITCHES
- DETECTOR SWITCHES
- DIP SWITCHES
- KEYLOCK SWITCHES
- NAVIGATION SWITCHES
- PUSHBUTTON SWITCHES
- ROCKER SWITCHES
- ROTARY SWITCHES
- SLIDE SWITCHES
- SNAP ACTION SWITCHES**
- TACTILE SWITCHES
- TOGGLE SWITCHES
- CAP OPTIONS

WS1 SERIES SNAP ACTION SWITCH

BODY DIMENSIONS - WIRE LEADS

O.P. (MM)	F.P. (MM)
6.40~6.95	7.35 MAX

O.P. = OPERATING POINT
F.P. = FREE-POSITION



SWITCH	WIRE	LENGTH
SW1-1 (COM)	WIRE, 24AWG UL1007 STRANDED, BLACK	162.0 [6.38 in]
SW1-3 (NO)	WIRE, 24AWG UL1007 STRANDED, BLUE	162.0 [6.38 in]
SW1-2 (NC)	WIRE, 24AWG UL1007 STRANDED, YELLOW	162.0 [6.38 in]

