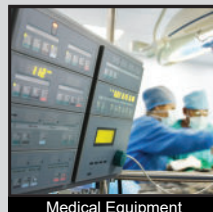
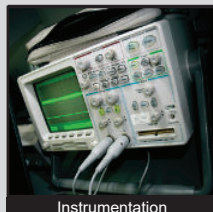
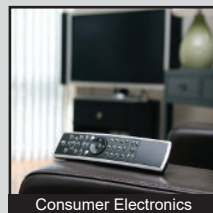
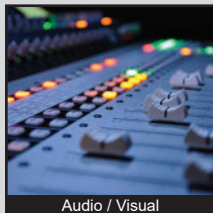


TL3304 SERIES TACT SWITCH

ANTI-VANDAL SWITCHES
DETECTOR SWITCHES
DIP SWITCHES
KEYLOCK SWITCHES
NAVIGATION SWITCHES
PUSHBUTTON SWITCHES
ROCKER SWITCHES
ROTARY SWITCHES
SLIDE SWITCHES
SNAP ACTION SWITCHES
TACTILE SWITCHES
TOGGLE SWITCHES
CAP OPTIONS



APPLICATIONS / MARKETS



RoHS

SPECIFICATIONS

Electrical Rating: 50mA, 12VDC
Contact Resistance: 100mΩ Max. (Initial)
Insulation Resistance: 100MΩ Min. at 500VDC
Dielectric Strength: 250VAC for 1 Minute
Operating Temperature: -20°C to 70°C
Travel: 0.25mm +0.2 / -0.1mm
Actuation Force/Life Cycles: 160gf ±50gf/100,000 cycles
 260gf ±50gf/100,000 cycles

Function: SPST, Off-(On)
Bounce: Less than 5msec Max.
Contact Material: Silver
Packaging: Tape and Reel, Gull Wing - 1,500 pcs/reel
 N-2.6mm; J-bend - 1,900 pcs/reel
 A-3.4mm; J-bend - 1,600 pcs/reel

FEATURES & BENEFITS

- Up to 100,000 cycle life expectancy
- Tape and Reel packaging
- Surface mount design
- Actuator options
- Actuation force options
- Termination options

PART NUMBER CONFIGURATOR

Series	Actuator	Actuation Force	Contact Material	Termination
<input type="text" value="TL3304"/>	<input type="text" value="N-2.6mm"/> A - 3.4mm	<input type="text" value="F160 - 160 gf"/> F260 - 260 gf	<input type="text" value="Q - Silver"/>	<input type="text" value="G - Gull Wing"/> J - J-bend

Specifications subject to change without notice 10.20.2022



E-SWITCH®

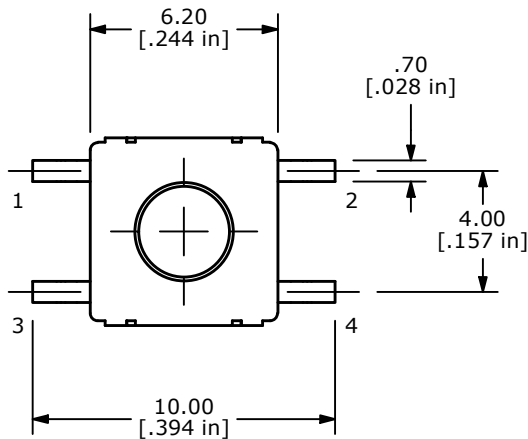
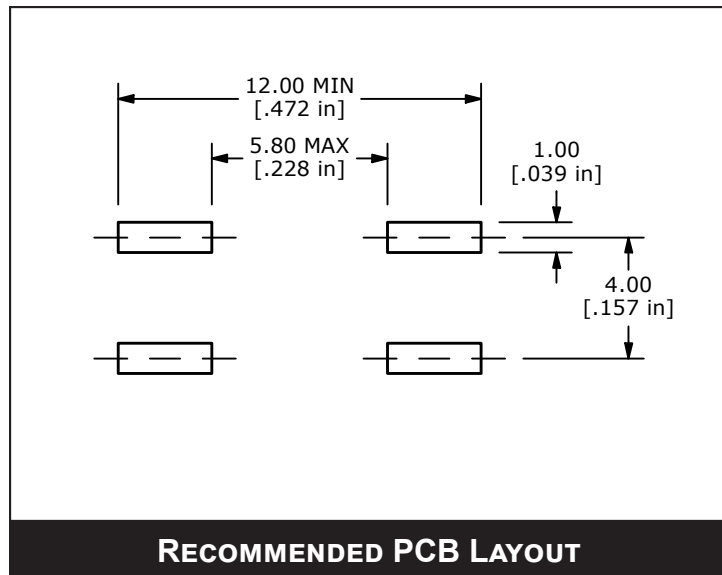
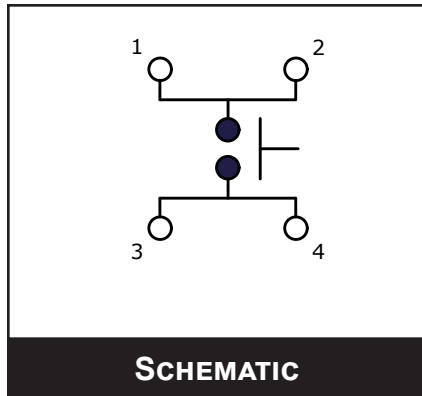
www.e-switch.com

800.867.2717

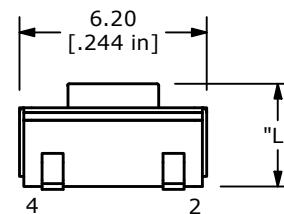
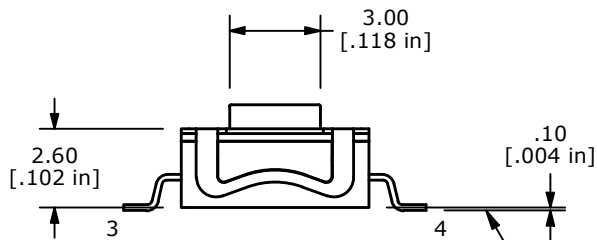
1

TL3304 SERIES TACT SWITCH

BODY DIMENSIONS



ACTUATOR	"L"
N	2.60
A	3.40



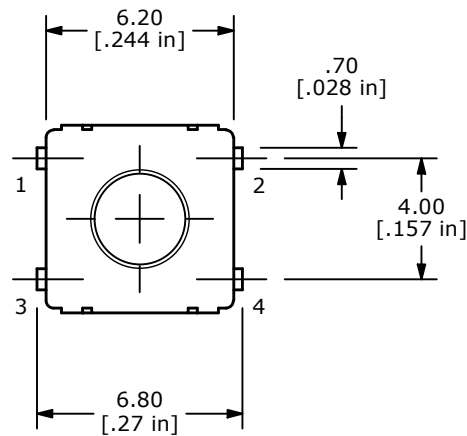
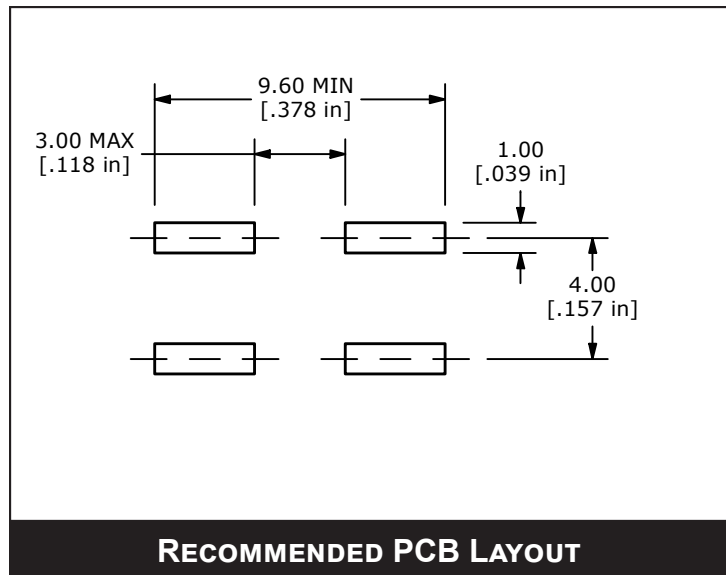
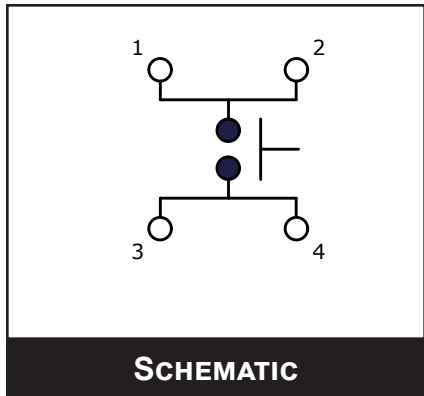
ALL TERMINALS MUST BE CO-PLANAR WITHIN 0.10 [.004] TOTAL



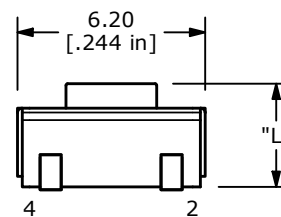
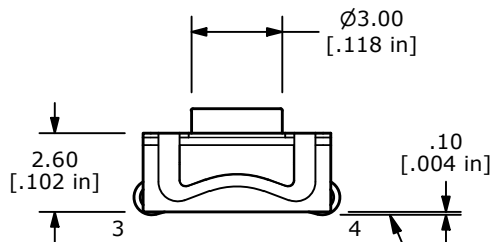
ANTI-VANDAL SWITCHES
 DETECTOR SWITCHES
 DIP SWITCHES
 KEYLOCK SWITCHES
 NAVIGATION SWITCHES
 PUSHBUTTON SWITCHES
 ROCKER SWITCHES
 ROTARY SWITCHES
 SLIDE SWITCHES
 SNAP ACTION SWITCHES
 TACTILE SWITCHES
 TOGGLE SWITCHES
 CAP OPTIONS

TL3304 SERIES TACT SWITCH

BODY DIMENSIONS TAPE AND REEL



ACTUATOR	"L"
N	2.60
A	3.40

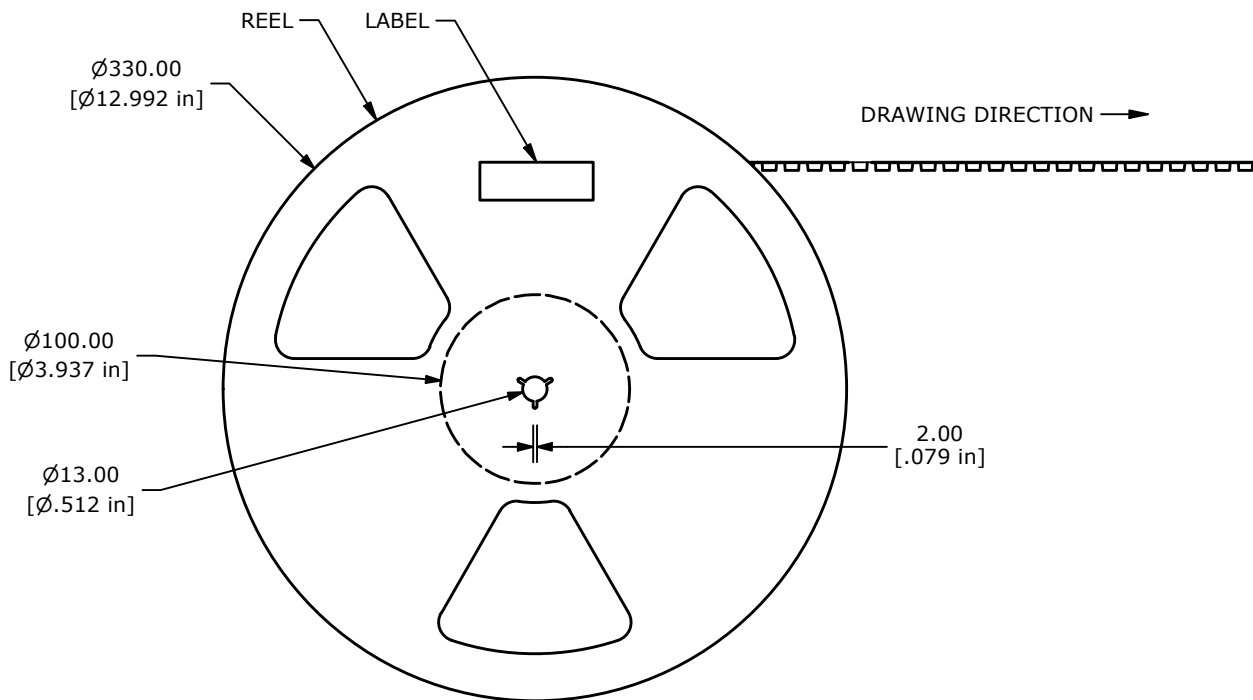
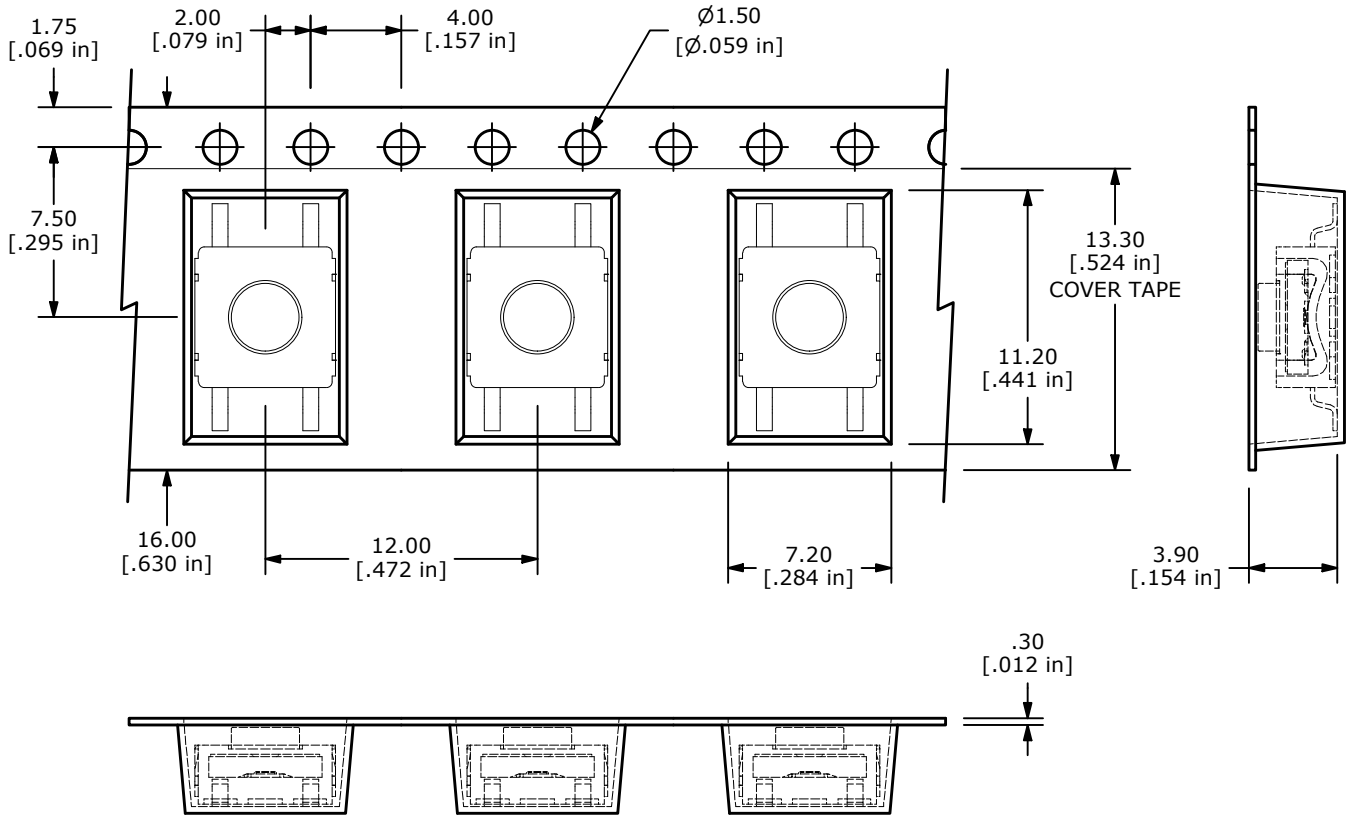


ALL TERMINALS MUST BE CO-PLANAR
W/IN 0.10 [.004] TOTAL



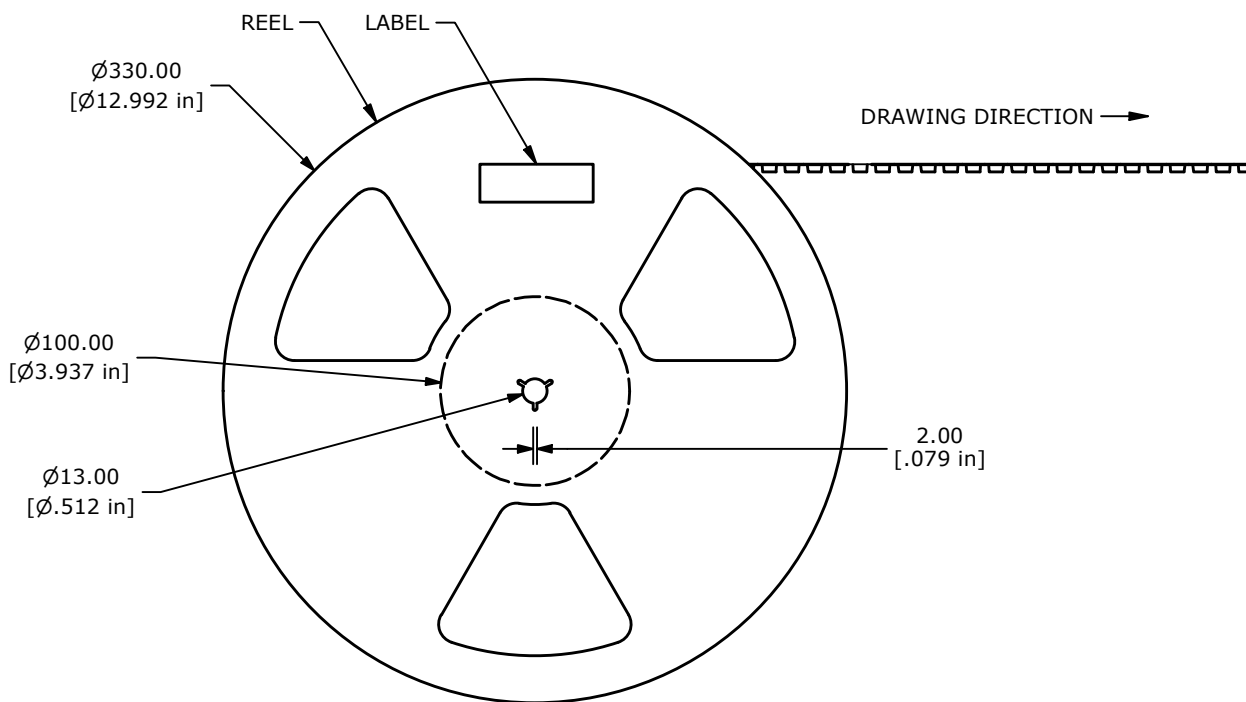
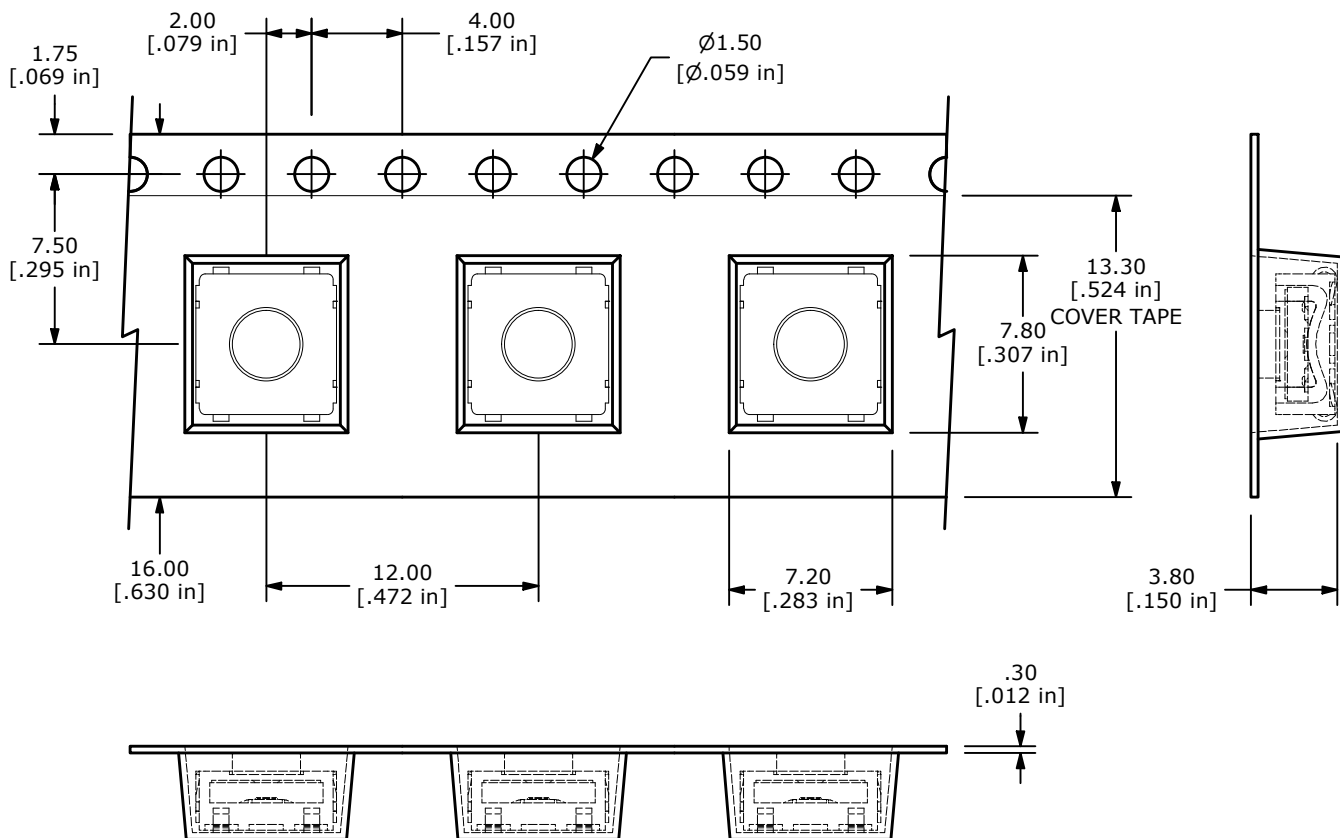
TL3304 SERIES TACT SWITCH

BODY DIMENSIONS TAPE AND REEL



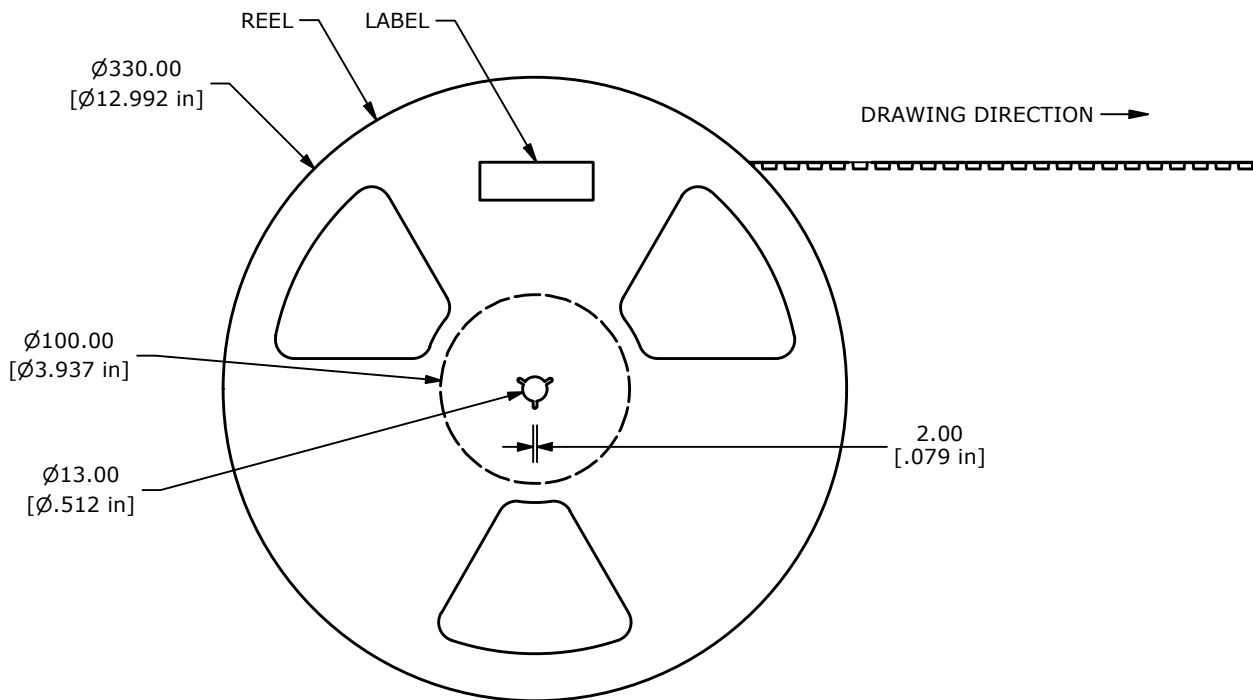
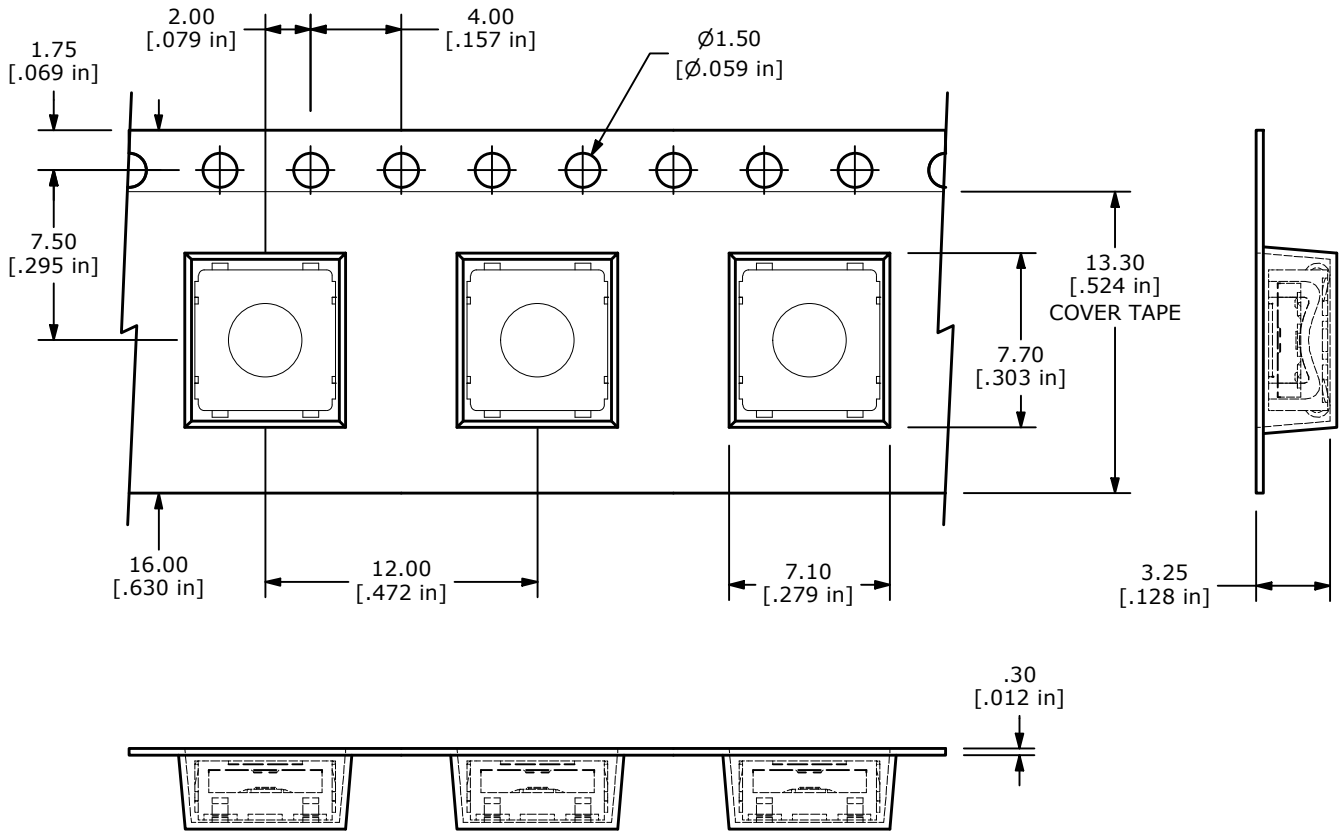
TL3304 SERIES TACT SWITCH

BODY DIMENSIONS TAPE AND REEL



TL3304 SERIES TACT SWITCH

BODY DIMENSIONS TAPE AND REEL



TL3304 SERIES TACT SWITCH

RECOMMENDED SOLDER PROCESS

Most contamination problems can be prevented by exercising care during the cleaning and soldering process. Care should be taken not to immerse or spray unsealed switches during flux removal. Contact E-Switch for specific soldering recommendations and specifications not shown. Generalized soldering procedures are outlined below.

“TYPICAL” SMT REFLOW (Pb and Pb-Free)

Profile Feature	Sn-Pb Eutectic Assembly	Pb-Free Assembly
Average Ramp-Up Rate ($T_{s_{max}}$ to T_p)	3 °C/second max.	3 °C/second max.
Preheat		
-Temperature Min ($T_{s_{min}}$)	100 °C	150 °C
-Temperature Max ($T_{s_{max}}$)	150 °C	200 °C
-Time ($t_{s_{min}}$ to $t_{s_{max}}$)	60-120 seconds	60-180 seconds
Time Maintained above:		
-Temperature (T_L)	183 °C	217 °C
-Time (t_L)	60-150 seconds	60-150 seconds
Time within 5 °C of actual Peak Temperature (t_p)	10-30 seconds	20-40 seconds
Ramp-Down Rate	6 °C/second max.	6 °C/second max.
Time 25 °C to Peak Temperature	6 minutes max.	8 minutes max.

Note 1: All temperatures refer to topside of the package, measured on the package surface.

