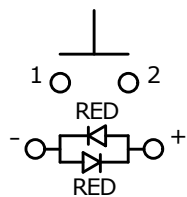


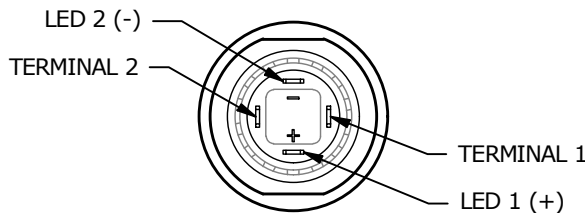
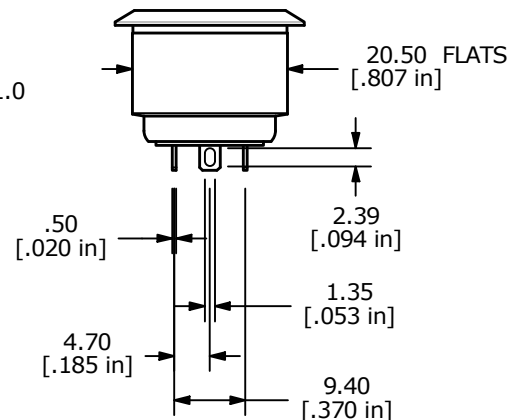
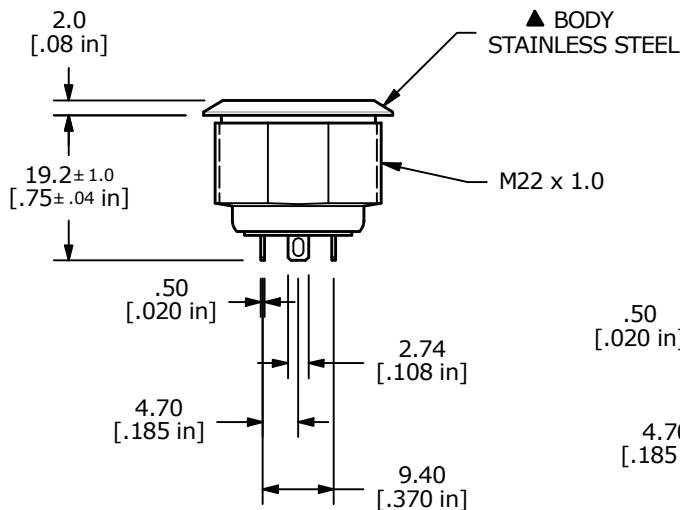
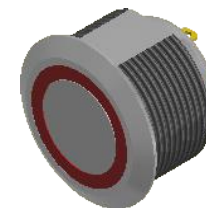
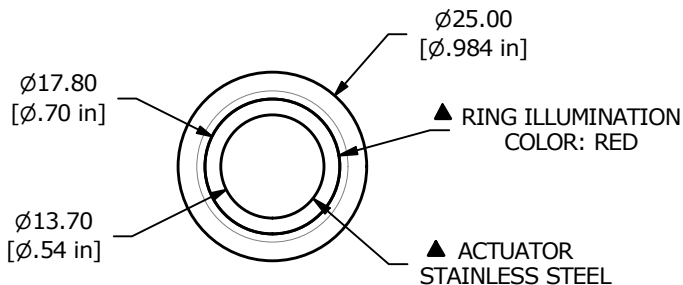
RECOMMENDED PANEL CUTOUT  
MAX. PANEL THICKNESS 1-6mm



SCHMATIC  
SPST - OFF-(ON)  
( ) DENOTES MOMENTARY

NOTE:

1. ALL DIMENSIONS IN MM [INCH]
2. GENERAL TOLERANCE: X.X = ±0.4  
X.XX = ±0.25
3. TERMINAL NUMBERS FOR REF ONLY
4. CONTACT MATERIAL: SILVER
5. RATING: 2A 36 VDC
6. ELECTRIC LIFE: 200,000 CYCLES
9. DIELECTRIC STRENGTH: 2,000 VAC MIN. FOR 1 MINUTE
10. CONTACT RESISTANCE: 50mΩ MAX. @ 1A 12VDC
11. OPERATING TEMP.: -20°C to 70°C
12. ▲ DENOTES CRITICAL PARAMETER.
- ▲ 13. LAMP VOLTAGE: 20mA 2.0V TYP.
14. TRAVEL: 1.80mm
15. ACTUATION FORCE: 4.5 ± 1.5 N
- 16 MOUNTING NUT TORQUE: 1-3 Nm
17. INGRESS PROTECTION: IP67, IK10
18. HARDWARE SUPPLIED: O-RING AND HEXNUT



REV	ECO NO	DESCRIPTION	DATE	BY
C	ECO-100757	UPDATE PANEL CUTOUT	02/18/22	JS



OBJECT ID  
000025989

TITLE SV7F23SS-311		SCALE 1:1	DATE 11/5/2019	DR MJR	DWG T870000	REV C
-----------------------	--	--------------	-------------------	-----------	----------------	----------