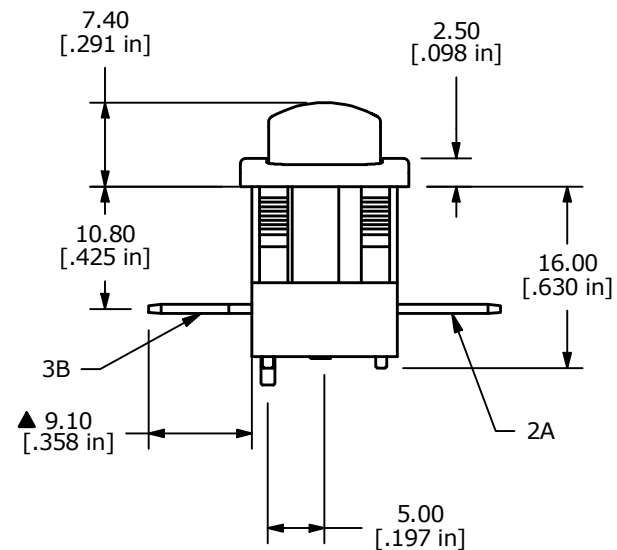
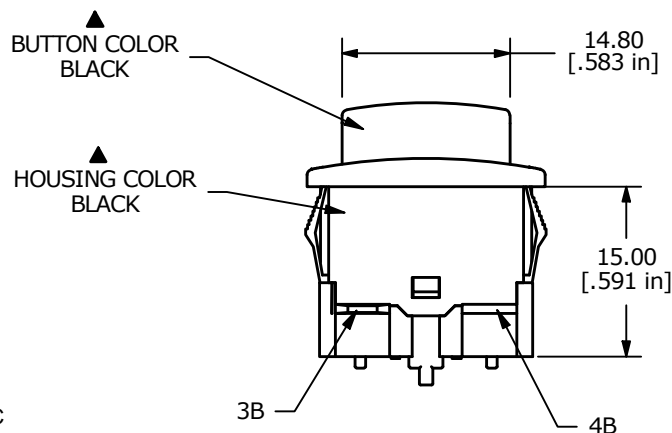
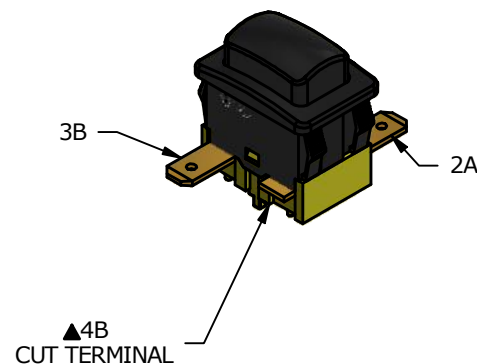
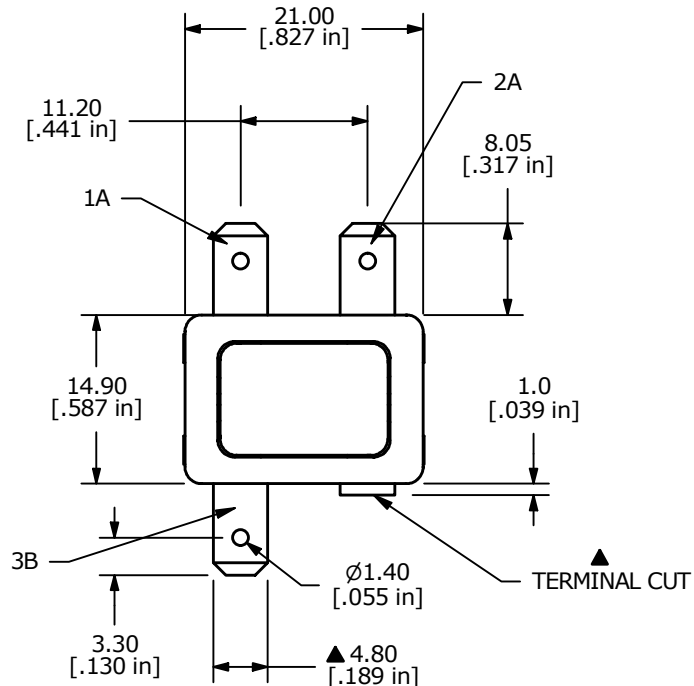
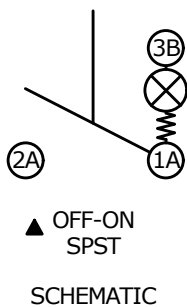


PANEL THICKNESS	X
0.50-1.20	19.0
1.20-2.00	19.3
2.00-3.00	19.6

RECOMMENDED
PANEL CUT-OUT



- NOTES:
1. ALL DIMENSIONS IN MM [INCH]
 2. GENERAL TOLERANCE: X.X = ±0.4
X.XX = ±0.25
 - ▲ 3. TERMINAL: HORIZONTAL TAB, 4.8mm
 - ▲ 4. RATING: 16A 125/250VAC [cURus]
 5. ELECTRICAL LIFE: 6000 CYCLES cURus
 6. CONTACT RESISTANCE: 20m OHM INITIAL MAX
 7. INSULATION RESISTANCE 100M OHM MIN @ 500VDC
 8. DIELECTRIC STRENGTH 1,000 VAC FOR 1 MINUTE
 9. ▲ DENOTE CRITICAL PARAMETER
 10. ILLUMINATION: NONE

REV	ECO NO	DESCRIPTION	DATE	BY
B	ECO-100489	REMOVE VDE FROM NOTES	12/13/21	JS



OBJECT ID
000000226

TITLE PA4C12C1100				
SCALE 2:1	DATE 8/11/2014	DR RC	DWG 14-PA4C12C1100	REV B