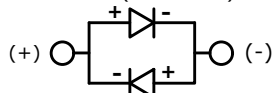


GREEN (FORWARD)



GREEN (REVERSE)

SCHEMATIC

ON - (ON)

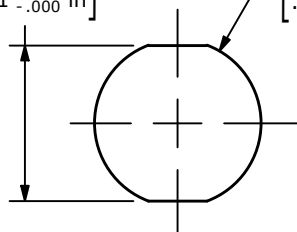
DPDT ILLUMINATED

() DENOTES MOMENTARY

NOTE:

1. ALL DIMENSIONS IN MM [INCH]
2. GENERAL TOLERANCE: X.X = ±0.4
X.XX = ±0.25
3. TERMINAL NUMBERS FOR REF ONLY
- ▲ 4. CONTACT MATERIAL: SILVER
5. RATING: 3A 250 VAC cUL
6. ELECTRIC LIFE: 50,000 MAKE-AND-BREAK CYCLES AT FULL LOAD.
7. MECHANICAL LIFE: 1,000,000 CYCLES.
8. INSULATION RESISTANCE: 1,000 MΩ @ 500VDC MIN.
9. DIELECTRIC STRENGTH: 2,000 VAC MIN. FOR 1 MINUTE
10. CONTACT RESISTANCE: 50mΩ MAX. @ 1A 12VDC
11. OPERATING TEMP.: -20°C to 55°C
12. ▲ DENOTES CRITICAL PARAMETER.
- ▲ 13. LAMP VOLTAGE: 20mA 220V
14. TRAVEL: 3.2mm
15. ACTUATION FORCE: 3.5 ± 1.0 N
16. MOUNTING NUT TORQUE: 5-14 Nm
17. INGRESS PROTECTION: IP67, IK08
18. HARDWARE SUPPLIED: O-RING AND HEXNUT

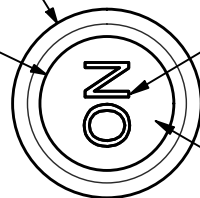
20.60 ^{+0.20}/_{-.00}
[.811 ^{+0.008}/_{-.000} in]



PANEL CUT-OUT
PANEL THICKNESS 1-10mm

Ø25.0
[.98 in]

Ø17.75
[.70 in]



▲ L22 GRAPHIC
ILLUMINATED COLOR:
GREEN

▲ BUTTON FINISH:
SILVER



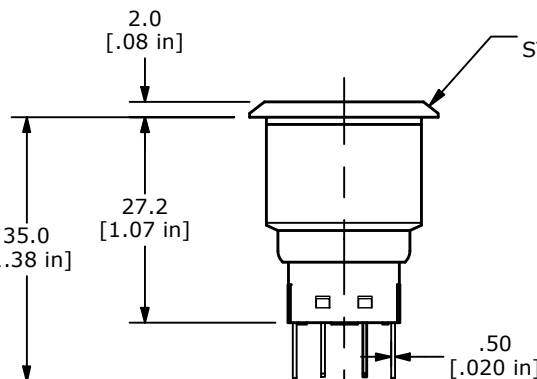
2.0
[.08 in]

▲ HOUSING
STAINLESS STEEL

▲ 35.0
[1.38 in]

27.2
[1.07 in]

M22 x 1.0
THREAD



.50
[.020 in]

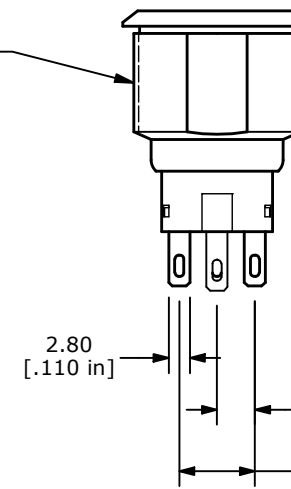
2.75
[.11 in]

13.00
[.51 in]

2.80
[.110 in]

5.00
[.197 in]

10.00
[.394 in]



▲ 20.50
[.807 in]

FLATS

TERMINAL 3

TERMINAL 6

TERMINAL 2

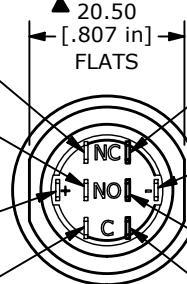
LED 2
(-)

LED 1
(+)

TERMINAL 5

TERMINAL 1

TERMINAL 4



REV	ECO NO	DESCRIPTION	DATE	BY
A	ECO-100391	NEW RELEASE	09/27/21	MR



OBJECT ID
100118689

TITLE ULV7F2HSL37L22				
SCALE 1:1	DATE 9/23/2021	DR MJR	DWG T970405	REV A