

SCHEMATIC

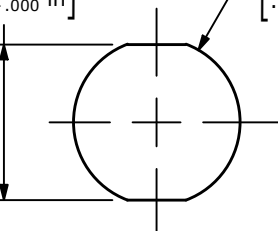
ON - (ON)

DPDT ILLUMINATED

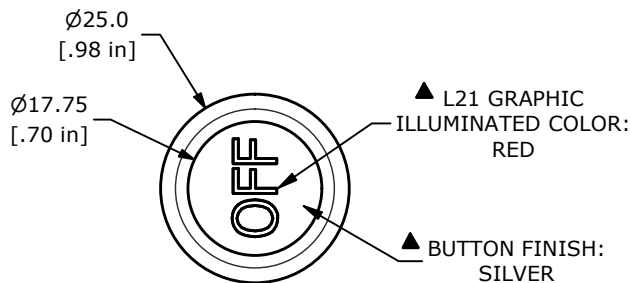
() DENOTES MOMENTARY

NOTE:

1. ALL DIMENSIONS IN MM [INCH]
2. GENERAL TOLERANCE: X.X = ±0.4
X.XX = ±0.25
3. TERMINAL NUMBERS FOR REF ONLY
- ▲ 4. CONTACT MATERIAL: SILVER
5. RATING: 3A 250 VAC cUL
6. ELECTRIC LIFE: 50,000 MAKE-AND-BREAK CYCLES AT FULL LOAD.
7. MECHANICAL LIFE: 1,000,000 CYCLES.
8. INSULATION RESISTANCE: 1,000 MΩ @ 500VDC MIN.
9. DIELECTRIC STRENGTH: 2,000 VAC MIN. FOR 1 MINUTE
10. CONTACT RESISTANCE: 50mΩ MAX. @ 1A 12VDC
11. OPERATING TEMP.: -20°C to 55°C
12. ▲ DENOTES CRITICAL PARAMETER.
- ▲ 13. LAMP VOLTAGE: 20mA 110V
14. TRAVEL: 3.2mm
15. ACTUATION FORCE: 3.5 ± 1.0 N
16. MOUNTING NUT TORQUE: 5-14 Nm
17. INGRESS PROTECTION: IP67, IK08
18. HARDWARE SUPPLIED: O-RING AND HEXNUT

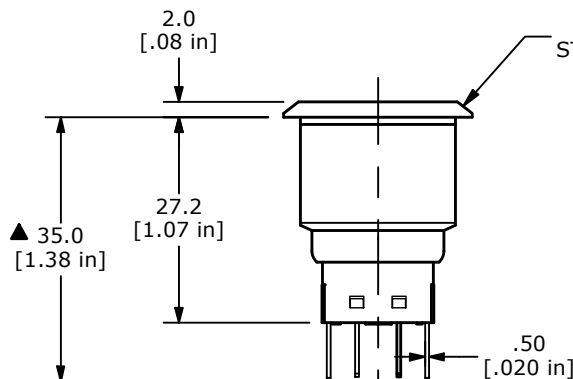


PANEL CUT-OUT
PANEL THICKNESS 1-10mm



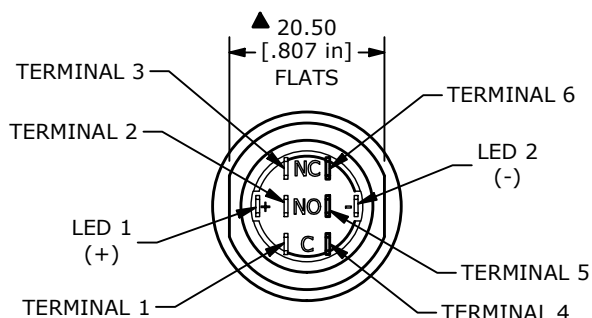
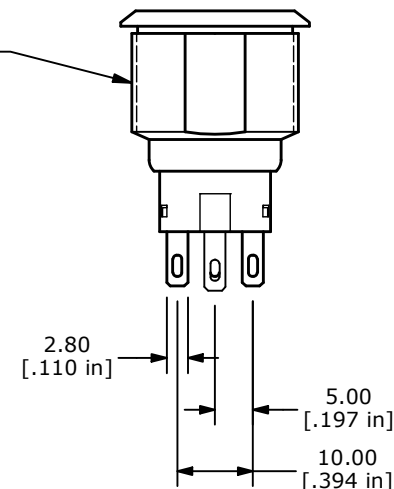
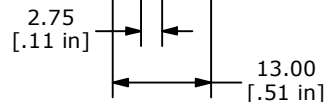
▲ L21 GRAPHIC
ILLUMINATED COLOR:
RED

▲ BUTTON FINISH:
SILVER



▲ HOUSING
STAINLESS STEEL

M22 x 1.0
THREAD



REV	ECO NO	DESCRIPTION	DATE	BY
A	ECO-100391	NEW RELEASE	09/27/21	MR



OBJECT ID
100118688

TITLE ULV7F2HSL16L21				
SCALE 1:1	DATE 9/23/2021	DR MJR	DWG T970404	REV A