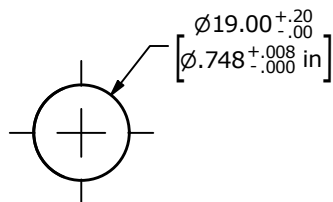
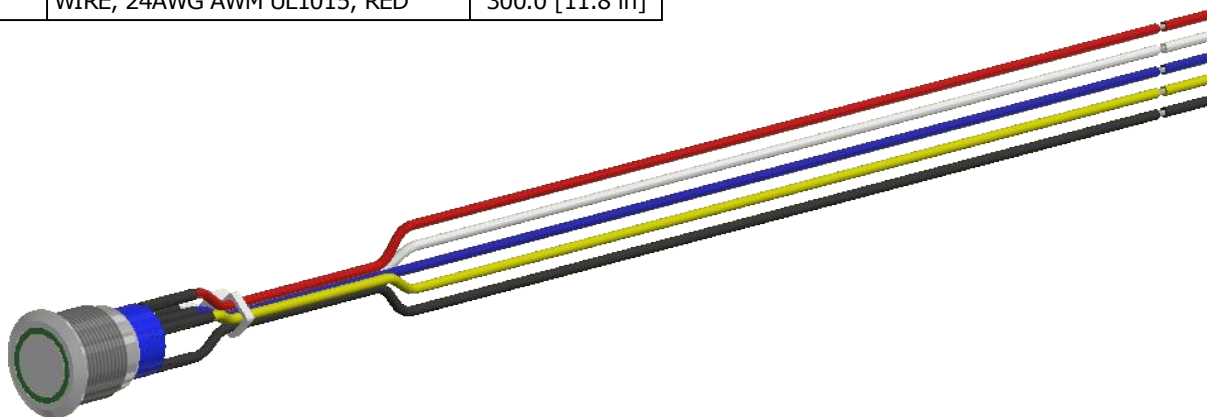


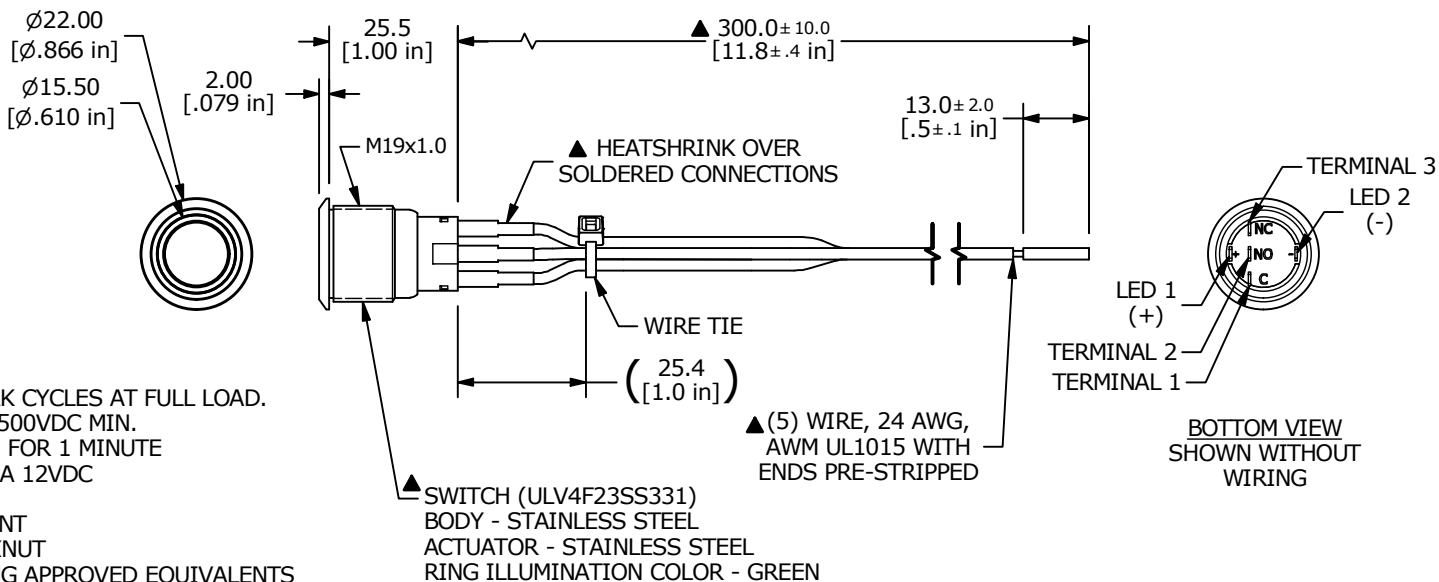
SWITCH	WIRE	LENGTH
SW1-1	WIRE, 24AWG AWM UL1015, YELLOW	300.0 [11.8 in]
SW1-2	WIRE, 24AWG AWM UL1015, BLUE	300.0 [11.8 in]
SW1-3	WIRE, 24AWG AWM UL1015, WHITE	300.0 [11.8 in]
SW1- (-)	WIRE, 24AWG AWM UL1015, BLACK	300.0 [11.8 in]
SW1- (+)	WIRE, 24AWG AWM UL1015, RED	300.0 [11.8 in]



RECOMMENDED PANEL CUTOUT  
MAX. PANEL THICKNESS 10mm [.39 in]



- NOTES:
1. DIMENSIONS IN MM [INCH]
  2. GENERAL TOLERANCE: X.X =  $\pm 0.4$   
X.XX =  $\pm 0.25$
  3. TERMINAL NUMBERS FOR REF ONLY
  4. CONTACT MATERIAL: SILVER
  5. RATING: 3A 250 VAC cUL
  6. OPERATING TEMP.: -20°C to 55°C
  - ▲ 7. LAMP VOLTAGE: 20mA 3V
  8. TRAVEL: 3.2mm
  9. ACTUATION FORCE: 2.5  $\pm 1.0$  N
  10. MOUNTING NUT TORQUE: 5-14 Nm
  11. INGRESS PROTECTION: IP67, IK10
  12. MECHANICAL LIFE: 500,000 CYCLES.
  13. ELECTRIC LIFE: 50,000 MAKE-AND-BREAK CYCLES AT FULL LOAD.
  14. INSULATION RESISTANCE: 1,000 M $\Omega$  @ 500VDC MIN.
  15. DIELECTRIC STRENGTH: 2,000 VAC MIN. FOR 1 MINUTE
  16. CONTACT RESISTANCE: 50m $\Omega$  MAX. @ 1A 12VDC
  17. ▲ DENOTES CRITICAL PARAMETER.
  18. ALL MATERIAL SHALL BE ROHS COMPLIANT
  - ▲ 19. SUPPLIED HARDWARE: O-RING AND HEXNUT
  - ▲ 20. USE P/N'S DESIGNATED OR ENGINEERING APPROVED EQUIVALENTS



REV	ECO NO	DESCRIPTION	DATE	BY
E	ECO-100378	UPDATE PANEL CUTOUT	12/10/21	JS



OBJECT ID  
000026161

TITLE ULV4FW3SS331		SCALE 2:3	DATE 1/28/2019	DR MJR	DWG T940503	REV E
-----------------------	--	--------------	-------------------	-----------	----------------	----------