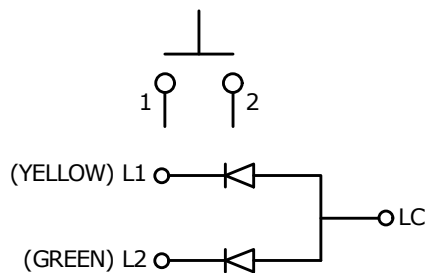


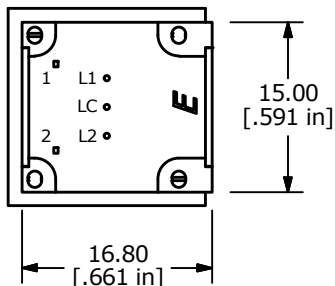
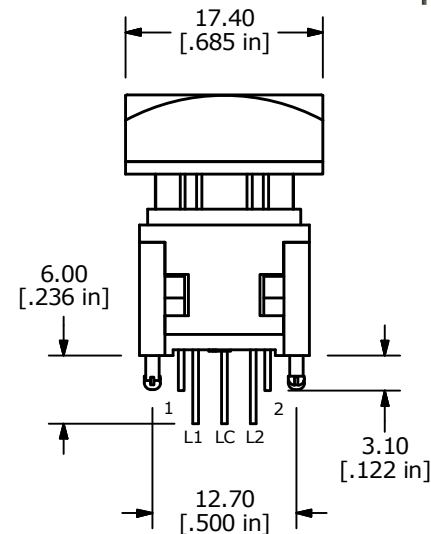
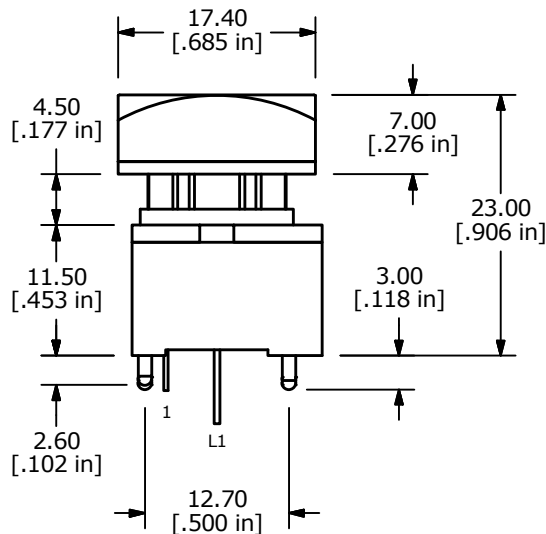
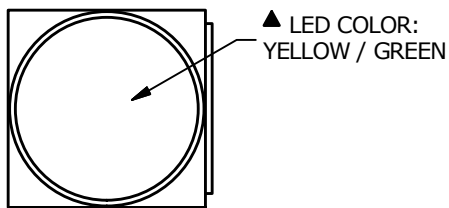
PCB LAYOUT



LED SCHEMATIC

NOTES:

1. ALL DIMENSIONS IN MM [INCH]
2. GENERAL TOLERANCE: X.X = ± 0.4  
X.XX = ± 0.25
3. TERM. NOS. FOR REFERENCE ONLY.
4. RATING: 12VDC, 100mA
5. CONTACT MATERIAL: GOLD PLATED
6. CONTACT RESISTANCE: 200 mΩ MAX.
7. INSULATION RESISTANCE: 500VDC, 100 MΩ MIN.
8. OPERATING FORCE: 200 ± 100gf
9. MECHANICAL LIFE: 2,000,000 CYCLES
10. OPERATING TEMP: -40°C TO +85°C
- ▲ 11. LED COLORS: YELLOW / GREEN
12. TRAVEL: 4.00mm±0.20
13. ▲ DENOTES CRITICAL PARAMETER.
- ▲ 14. SWITCH HAS NON TACTILE FEEDBACK WHEN ACTUATED



LED SPECS	UNITS	YELLOW	GREEN
FORWARD CURRENT	mA	20	20
FORWARD VOLTAGE @20mA	V	1.6-2.5	2.7-4.1
LUMINOUS INTENSITY @20mA	MCD	80-300	200-700



A	23539	NEW RELEASE	8/24/18	MJR
REV	PCR NO	DESCRIPTION	DATE	BY

TITLE	LP11EE1NCSYG			
SCALE	3:2	DATE	8/24/2018	DR
				MJR
DWG	B232005	REV	A	

THE INFORMATION CONTAINED IN THIS DOCUMENT IS PROPRIETARY TO E-SWITCH AND IS NOT TO BE COPIED OR TRANSFERRED