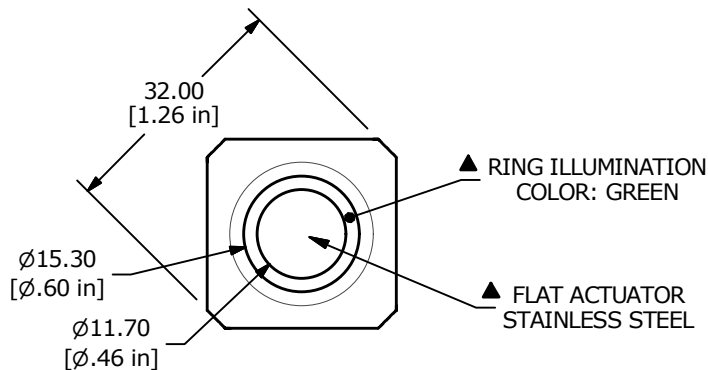


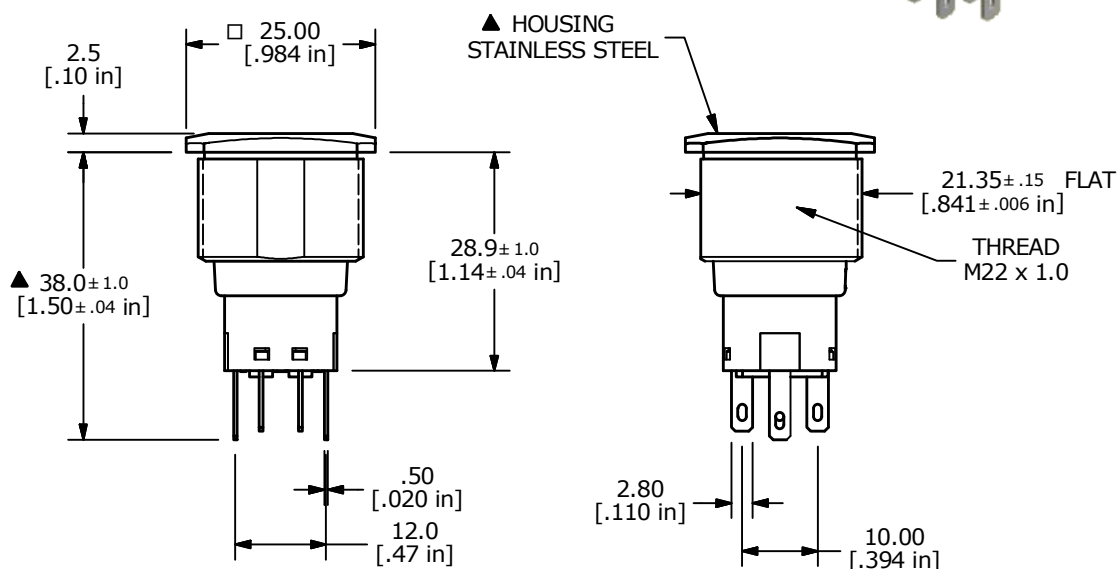
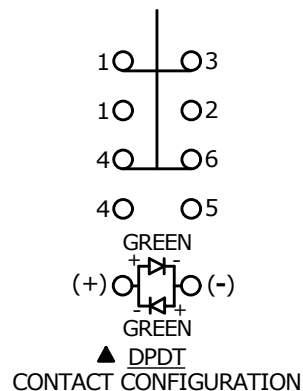
RECOMMENDED PANEL CUTOUT  
MAX. PANEL THICKNESS 10mm



▲ SWITCH FUNCTION

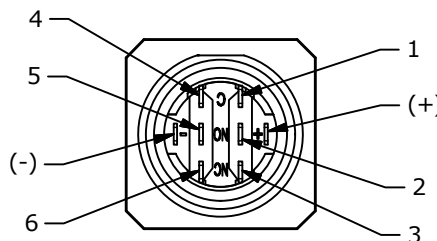
POS. 1	POS. 2
ON	(ON)
1-3, 4-6	1-2, 4-5

( ) = MOMENTARY



NOTE:

- ALL DIMENSIONS IN mm [INCH]
- GENERAL TOLERANCE: X.X = ±0.4  
X.XX = ±0.25
- TERMINAL NUMBERS FOR REF ONLY
- CONTACT MATERIAL: SILVER
- RATING: 2A 24VDC
- ELECTRIC LIFE: 50,000 MAKE-AND-BREAK CYCLES AT FULL LOAD.
- INSULATION RESISTANCE: 1,000 MΩ MIN.
- DIELECTRIC STRENGTH: 2,000 VAC MIN. FOR 1 MINUTE
- CONTACT RESISTANCE: 50mΩ MAX. @ 1A 12VDC
- OPERATING TEMP.: -20°C to 55°C
- TRAVEL: 2.8mm
- ▲ DENOTES CRITICAL PARAMETER.
- INGRESS PROTECTION: IP65
- ▲ HARDWARE SUPPLIED: O-RING AND HEXNUT
- ▲ LAMP VOLTAGE: 2.8V



A	23826	New Release	4/11/19	MW
REV	PCR NO	DESCRIPTION	DATE	BY

TITLE PVS7F2HSS-331				
SCALE 1:1	DATE 4/11/2019	DR MW	DWG 52-PVS7F2HSS331	REV A

THE INFORMATION CONTAINED IN THIS DOCUMENT IS PROPRIETARY TO E-SWITCH AND IS NOT TO BE COPIED OR TRANSFERRED