

# SMC Type Q 50 *Inverse Design – 2 row; 12, 26 or 50 contacts*

Plug- and Socket Connectors with *Thru-hole Solder Connection Terminals* and Various Mounting Options

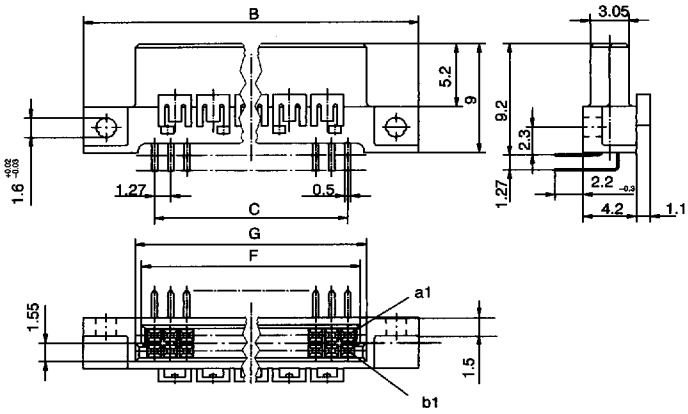
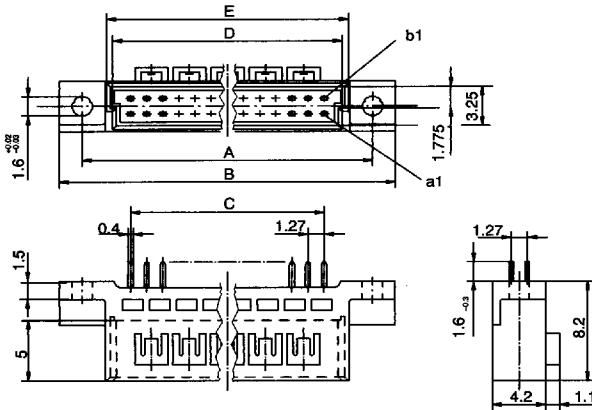
## Dimensional drawings

Plug connector

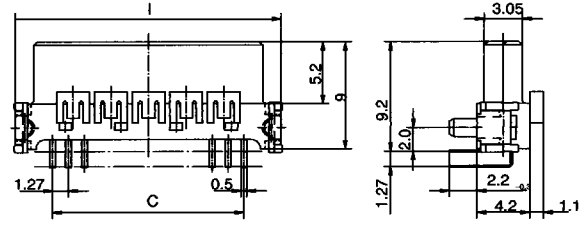
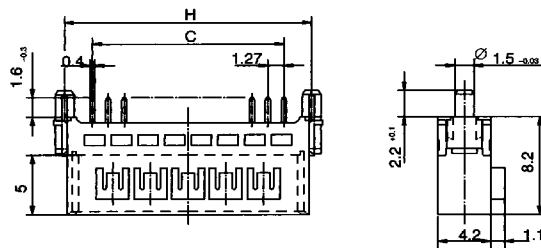
Socket connector

*Thru-Hole*

Mounting flange for screws or rivets



Integral, molded-in mounting pegs

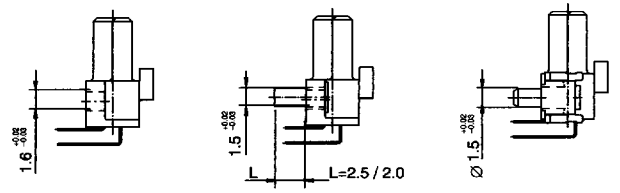
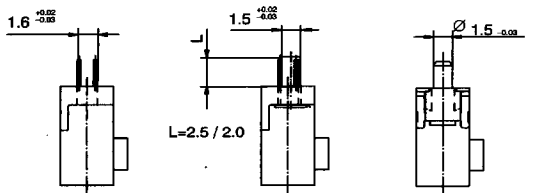


One option available:  
Option A: requires press-in tool for PCB assembly

## Mounting Variations

Plug connector

Socket connector



Mounting flanges for screws or rivets

Mounting flanges with pre-installed rivets

Integral mounting pegs

Mounting flanges for screws or rivets

Mounting flanges with pre-installed rivets

Integral mounting pegs

## Dimensions (mm)

| No. of Contacts | A $\pm$ 0.05 | B     | C     | D     | E     | F     | G $\pm$ 0.03 | H     | I    |
|-----------------|--------------|-------|-------|-------|-------|-------|--------------|-------|------|
| 12              | 13.97        | 17.77 | 6.35  | 8.57  | 9.57  | 8.37  | 9.37         | 10.77 | 12.7 |
| 26              | 22.86        | 26.66 | 15.24 | 17.46 | 18.46 | 17.26 | 18.26        | 19.66 | 21.6 |
| 50              | 38.1         | 41.9  | 30.48 | 33.7  | 34.7  | 33.5  | 34.5         | 34.9  | 36.8 |



**Ordering Information**

Dimensional drawings found on page 8 or 12, illustrations found on page 3.

Plug and Socket Connectors with **Thru-hole Solder Connection Terminals** and Various Mounting Options

| Versions  | Plug connectors  |                |                | Socket connectors  |                |                |
|---|--|----------------|----------------|--|----------------|----------------|
|   | SMC-Q-... M ab   |                |                | SMC-Q-... F ab   |                |                |
| <b>Thru-Hole</b>  |  |                |                |  |                |                |
| <b>Number of Contacts</b>   | 12   | 26             | 50             | 12   | 26             | 50             |
| <b>Round hole mounting flanges</b><br>(screw or rivet mounting)<br>Hole size: Dia. 1.6mm (.062")  | <b>033 568</b>   | <b>033 569</b> | <b>004 901</b> | <b>033 574</b>   | <b>033 575</b> | <b>004 443</b> |
|   | Dimensional drawing see page 8                                     |                |                | Illustration see page 3                                    |                |                |
| <b>Round hole mounting flanges</b><br>With pre-installed rivets for<br>1.0mm (.039") PC board thickness   | <b>053 231</b>   | <b>053 232</b> | <b>053 233</b> | <b>053 234</b>   | <b>053 235</b> | <b>053 236</b> |
|   | <b>PC board thickness 1.0mm</b><br>Dimensional drawing see page 8  |                |                | <b>PC board thickness 1.0mm</b><br>Illustration see page 3 |                |                |
| <b>Round hole mounting flanges</b><br>With pre-installed rivets for<br>1.6mm (.062") PC board thickness   | <b>053 021</b>   | <b>053 237</b> | <b>044 652</b> | <b>053 238</b>   | <b>053 239</b> | <b>044 650</b> |
|   | <b>PC board thickness 1.6mm</b><br>Dimensional drawing see page 8  |                |                | <b>PC board thickness 1.6mm</b><br>Illustration see page 3 |                |                |
| <b>Integral, molded-in mounting pegs</b><br><b>Option A</b><br>(Includes metal leads for<br>optional soldering)<br>Requires press-in tool (see page 15) | <b>053 240</b>   | <b>053 241</b> | <b>053 242</b> | <b>053 243</b>   | <b>053 244</b> | <b>053 245</b> |
|   | Dimensional drawing see page 8                                     |                |                | Illustration see page 3                                    |                |                |
| <b>Ejector latches for mating<br/>to IDC socket</b><br>With round hole mounting flange<br>for screw or rivet mounting.                                  | <b>053 246</b>   | <b>053 247</b> | <b>034 516</b> |  |                |                |
|   | Dimensional drawing see page 12                                    |                |                |  |                |                |
| <b>Ejector latches for mating<br/>to IDC socket</b><br>With pre-installed rivets for<br>1.0mm (.039") PC board thickness                                | <b>053 248</b>   | <b>053 249</b> | <b>053 250</b> |  |                |                |
|   | <b>PC board thickness 1.0mm</b><br>Dimensional drawing see page 12 |                |                |  |                |                |
| <b>Ejector latches for mating<br/>to IDC socket</b><br>with pre-installed rivets for<br>1.6mm (.062") PC board thickness                                | <b>053 251</b>   | <b>053 252</b> | <b>053 253</b> |  |                |                |
|   | <b>PC board thickness 1.6mm</b><br>Dimensional drawing see page 12 |                |                |  |                |                |

**Notes:**

- For versions with integral coding feature, please contact ERNI sales office.
- Dimensioned drawings for plug connectors with ejector latches for mating to IDC socket can be found on page 12.
- Recommended PCB drill hole dimension for thru-hole lead: 0.65<sup>+0.02</sup>mm.
- Required test dimension for plated thru-hole is 0.54mm
- Information on application tooling for pressing in the mounting pegs can be found on page 15.

D 90E ■ 3379119 0000681 742 ■