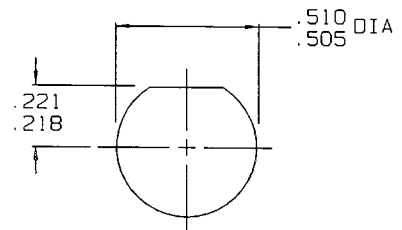
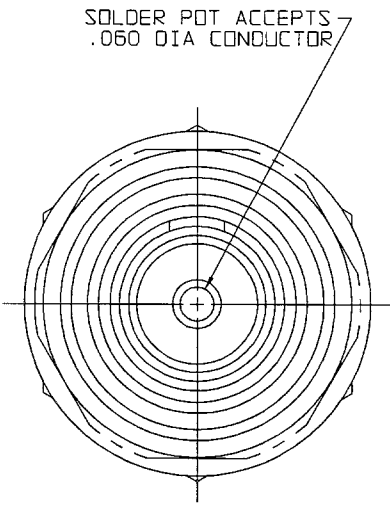
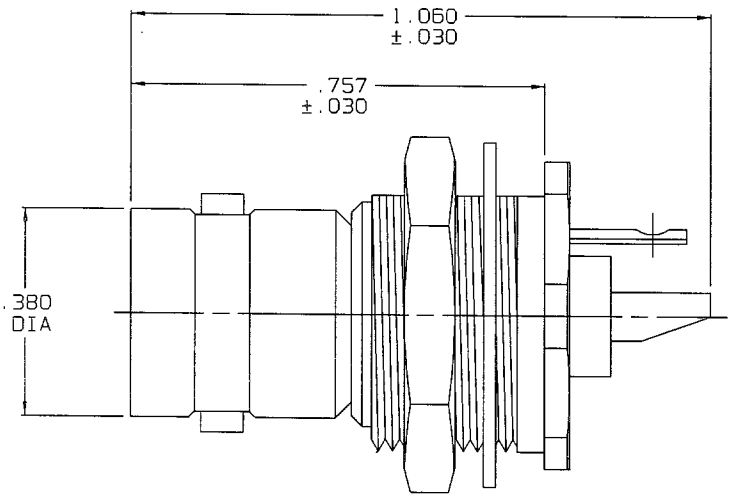


DATA CONTAINED IN THIS DOCUMENT IS PROPRIETARY TO TROMPETER ELECTRONICS, INC. AND SHALL NOT BE DISCLOSED, COPIED OR USED FOR PROCUREMENT OR MANUFACTURE WITHOUT EXPRESS WRITTEN PERMISSION OF TROMPETER ELECTRONICS, INC.

REVISIONS		105-2150	SH 1
REV	DESCRIPTION	DATE	APPROVED
A	PRODUCTION RELEASE		



RECOMMENDED
PANEL CUTOUT
SCALE: 2/1

3. 50 OHM COAXIAL REAR MOUNT INSULATED 2-LUG BNC TYPE SOLDER POT BULKHEAD RECEPTACLE WITH REXOLITE DIELECTRIC
2. MAX PANEL THK: .147
1. FINISH: TFS-1A (NICKEL)

INTERPRET DRAWING PER MIL-STD-100 DIMENSIONS ARE IN INCHES AND INCLUDE FINISH THICKNESS UNLESS OTHERWISE SPECIFIED		TOL: UNLESS SPECIFIED .XX .XXX ± .005 .XXXX .XXXXX
DRAWN AAH	DATE 7-22-02	ANGLES
CHECKED JZM	DATE 8-12-02	MATERIAL:
QUALITY J	DATE 8/12-02	FINISH:
HANDS MMA	DATE 8/12/02	
APPROVED MMA	DATE 8/12/02	
NEXT ASSY	CAD FILE NO 105-2150A1	DO NOT SCALE DWG

		TITLE: BJ21 SPECIAL WITH REXOLITE DIELECTRIC		
		SIZE A	CAGE CODE 14949	DRAWING NO. 105-2150
SCALE 2/1		DATE: 7-13-02		SHEET 1C