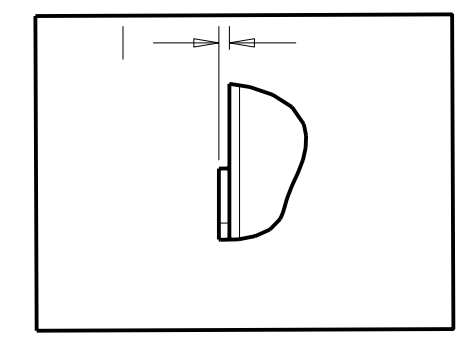
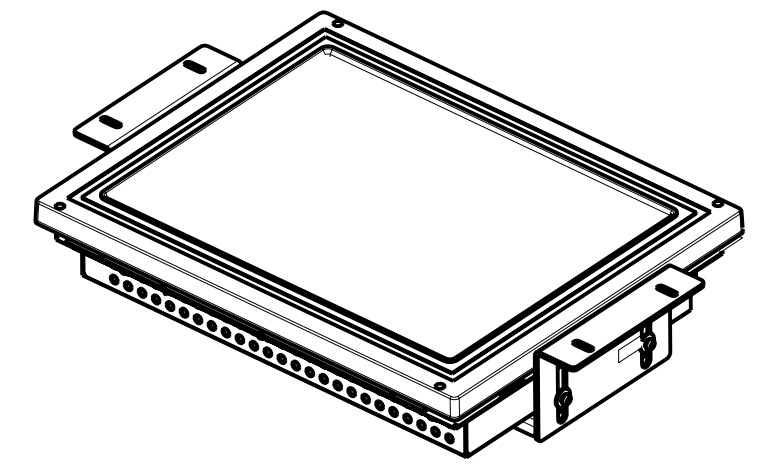
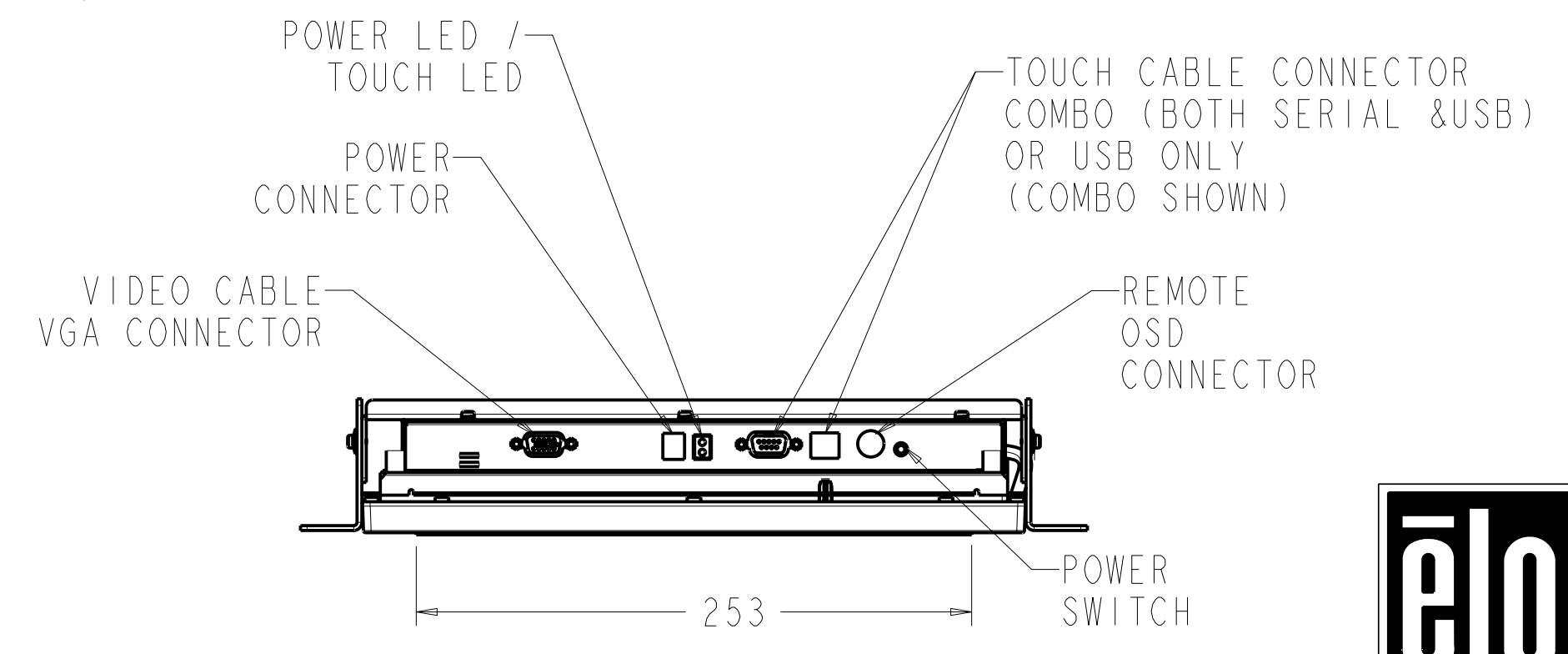
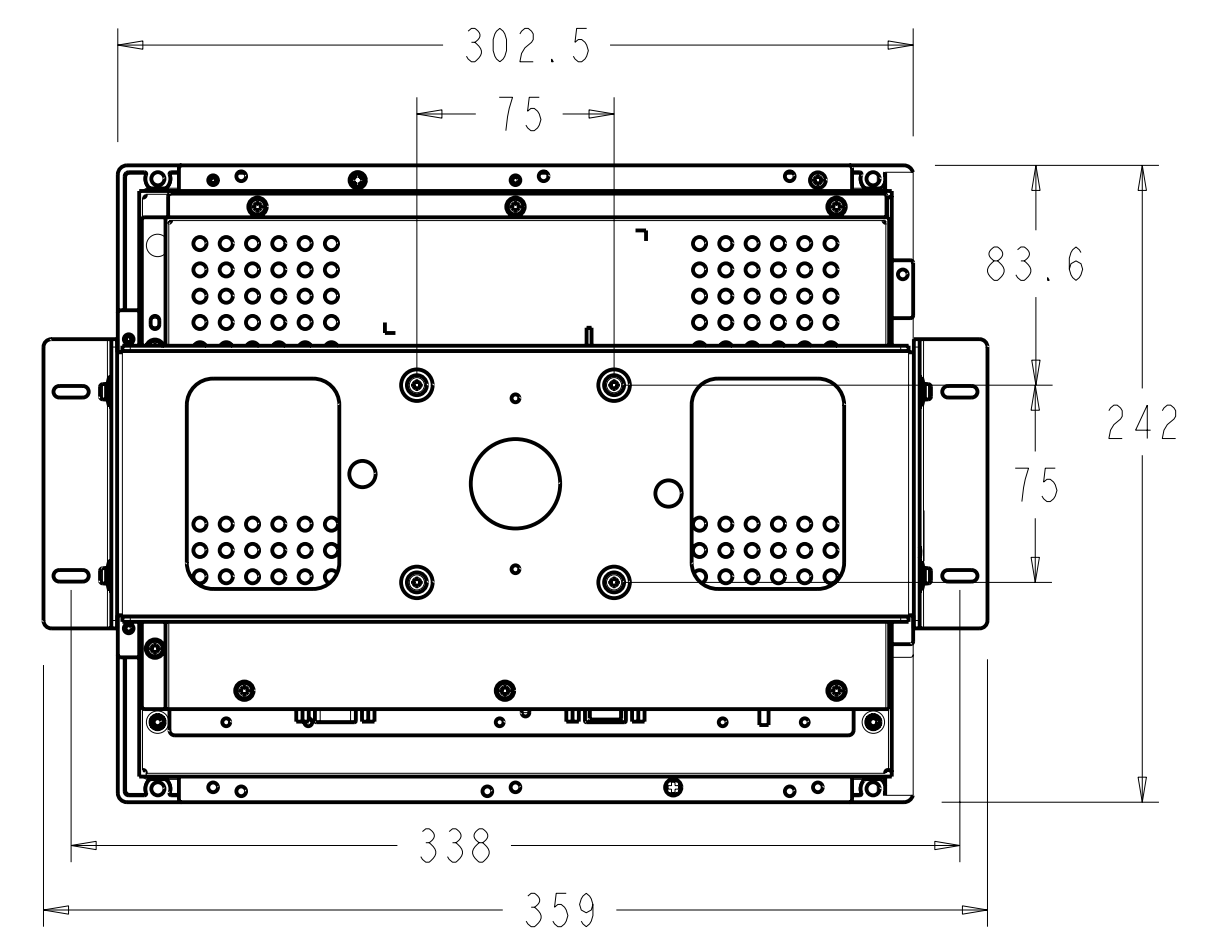
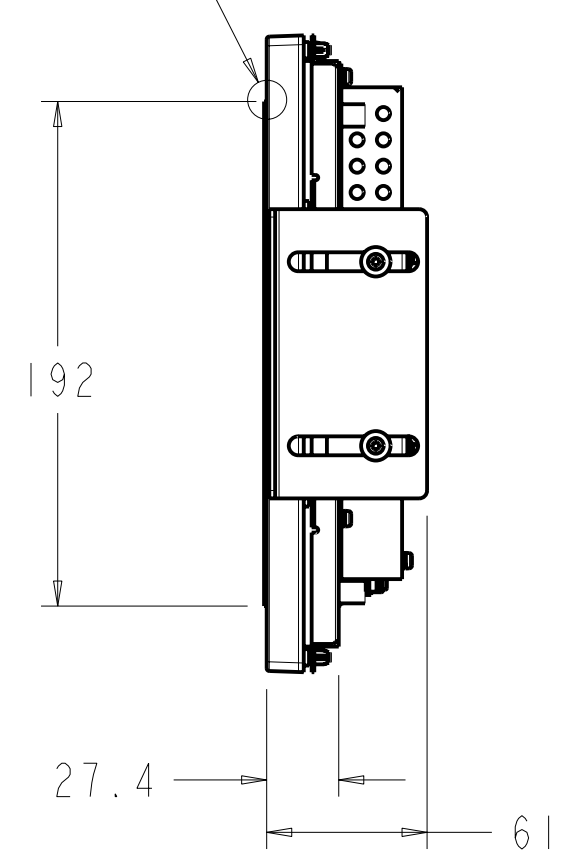
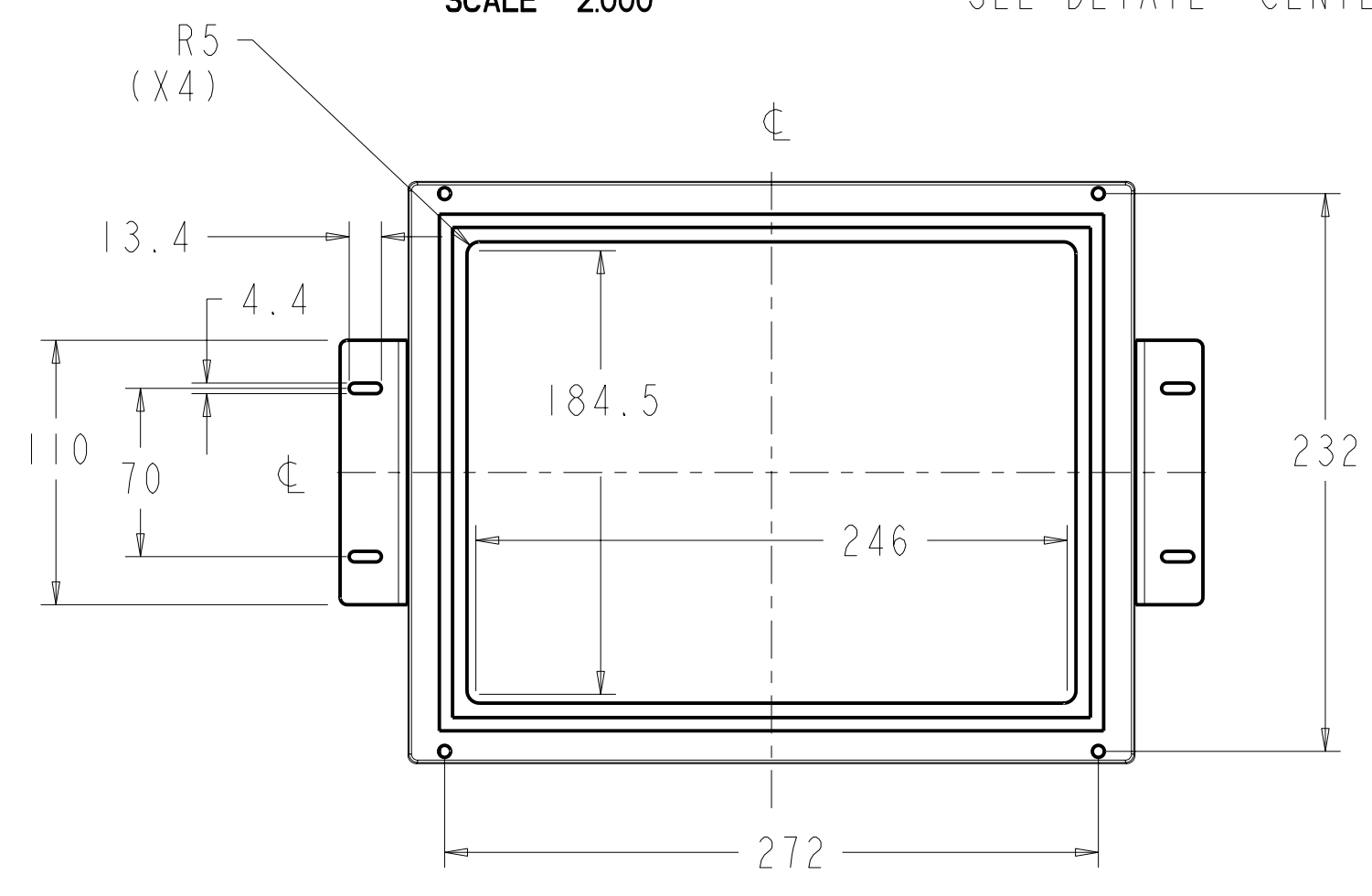


ET1247L SERIES
REAR MOUNT MONITOR



DETAIL CENTERING LIP
SCALE 2.000

SEE DETAIL CENTERING LIP



NOTE.

3D CAD FILES AVAILABLE.

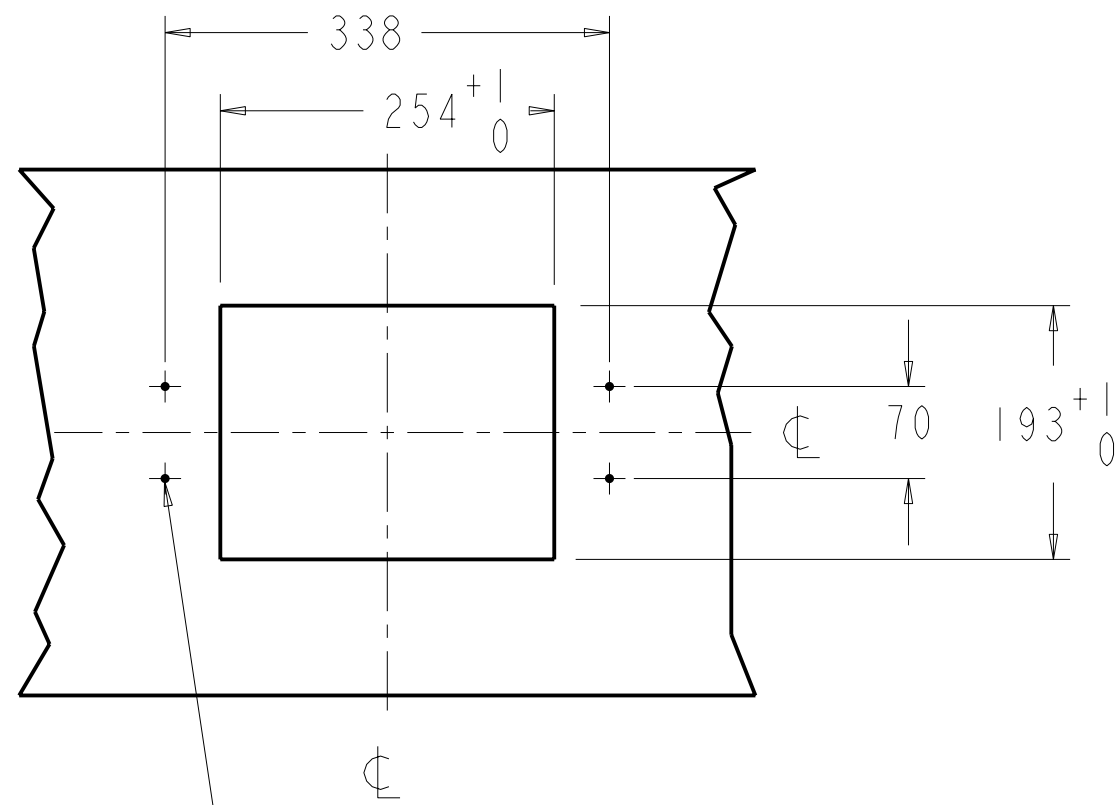
PART NUMBER TABULATION	
P/N	ITEM
E655204	ET1247L-8CWA-1-G
E112938	ET1247-8CWA-1-12V-G

DIMENSIONS ARE IN MILLIMETERS

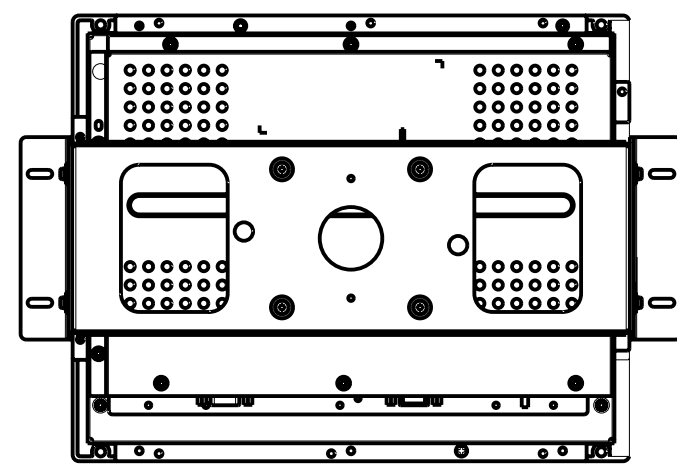


ET1247L SERIES, REAR MOUNT KIOSK

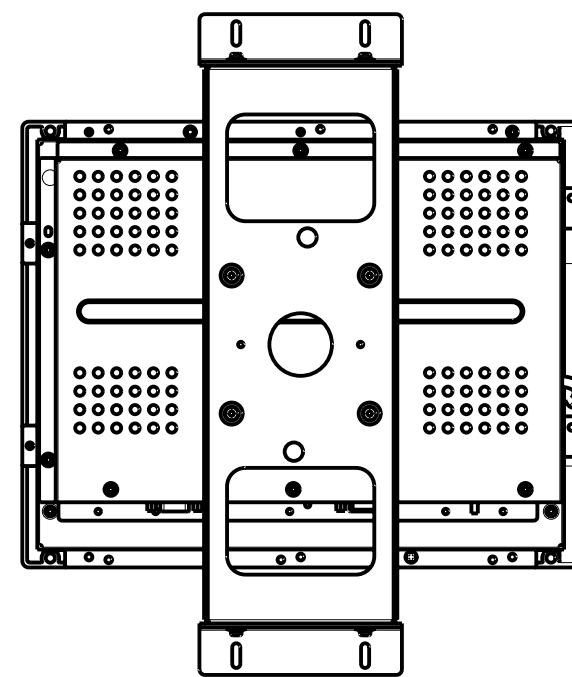
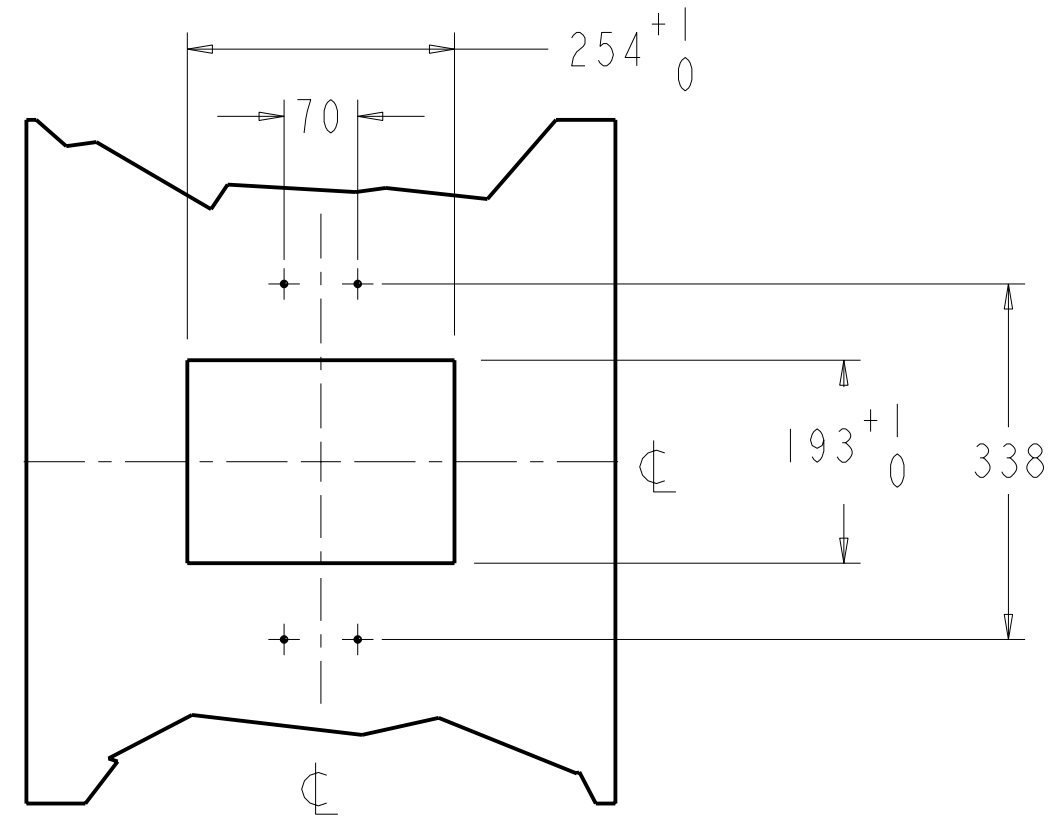
HORIZONTAL MOUNT



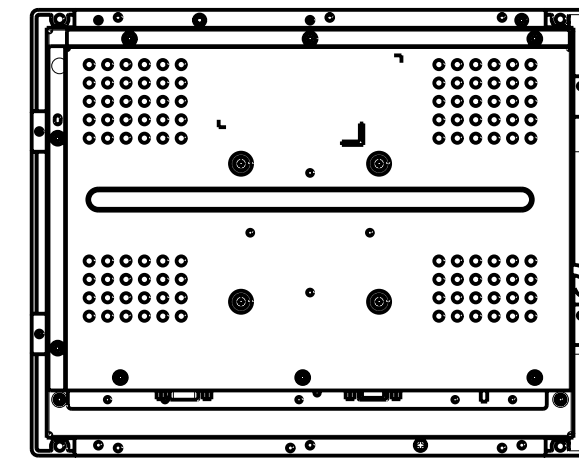
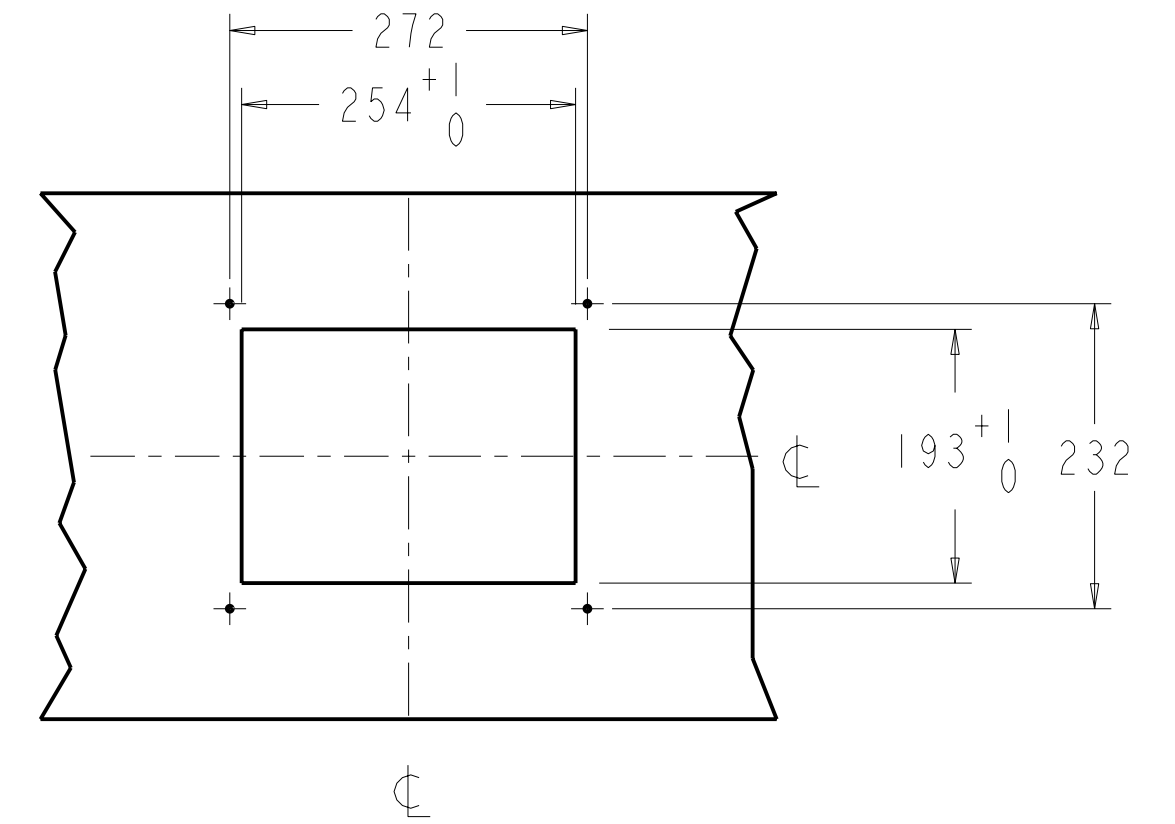
4X CUSTOMER OPTION
SEE NOTES



VERTICAL MOUNT



NO BRACKET MOUNT



NOTES FOR ALL MOUNTING OPTIONS BELOW:

1. ALL DRAWING CENTERS ARE THE CENTER OF THE VIEWABLE AREA.
2. LCD PANEL CUTOUT DIMENSIONS IN OPTION 1 APPLIES TO ALL MOUNTING OPTIONS.
3. IF CUSTOMER KIOSK MATERIAL IS WOOD:
Ø4.5 HOLES THRU FOR M4 SCREWS W/ NUTS,
OR NO THRU HOLES, SCREWS FOR WOOD Ø4.
4. IF CUSTOMER KIOSK MATERIAL IS SHEETMETAL:
CONCEALED HEAD THREADED STUDS M4 W/ NUTS.

DIMENSIONS ARE IN MILLIMETERS

SHT. 2 OF 2