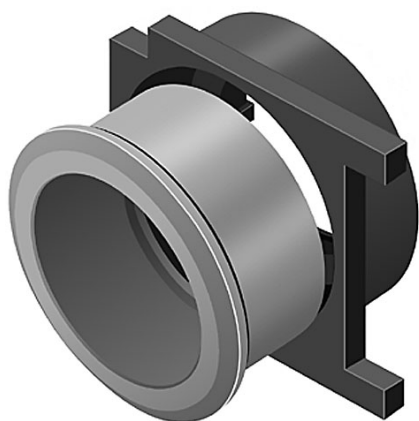


# EAO – Your Expert Partner for Human Machine Interfaces

## 61-9932.0 - Front bezel set for keylock switch, flush design

### 61-9932.0 - Front bezel set for keylock switch, flush design



*Attention: The preview is based on a sample product. This can differ from your current configuration.*

#### Mounting

Mounting cut-out  
Design Ø 22,3 mm  
flush

#### Front

Front dimension  
Front bezel material  
Front bezel colour  
Front shape Ø 25 mm  
Aluminium  
natural anodized  
round

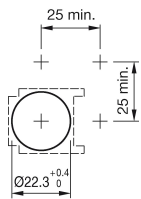
#### Other Attributes

Weight 0,006 kg

# EAO – Your Expert Partner for Human Machine Interfaces

61-9932.0 - Front bezel set for keylock switch, flush design

## Mounting cut-outs



## Additional information

Pitch of the front plate mounting holes must agree with the printed circuit board holes  $\varnothing 3.5$

For the round front bezel sets the anti-twist ring is part of the sales-package

The colour of anodized aluminium parts can vary due to technical production reasons