

INCH-POUND

MIL-M-38510/336B

9 January 2004

SUPERSEDING

MIL-M-38510/336A

9 August 1983

MILITARY SPECIFICATION

MICROCIRCUITS, DIGITAL, BIPOLAR, ADVANCED SCHOTTKY TTL,
SHIFT REGISTERS, CASCADABLE, MONOLITHIC SILICON

Reactivated after 9 January 2004 and may be used for either new or existing design acquisition.

This specification is approved for use by all Departments
and Agencies of the Department of Defense.

The requirements for acquiring the product herein shall consist of this specification sheet and MIL-PRF 38535

1. SCOPE

1.1 Scope. This specification covers the detail requirements for monolithic silicon, advanced Schottky TTL, shift register microcircuits. Two product assurance classes and a choice of case outlines and lead finishes are provided for each type and are reflected in the complete part number. For this product, the requirements of MIL-M-38510 have been superseded by MIL-PRF-38535, (see 6.3).

1.2 Part or Identifying Number (PIN). The PIN is in accordance with MIL-PRF-38535, and as specified herein.

1.2.1 Device types. The device types are as follows:

<u>Device type</u>	<u>Circuit</u>
01	4-bit bidirectional universal shift register cascadable

1.2.2 Device class. The device class is the product assurance level as defined in MIL-PRF-38535.

1.2.3 Case outlines. The case outlines are as designated in MIL-STD-1835 and as follows:

<u>Outline letter</u>	<u>Descriptive designator</u>	<u>Terminals</u>	<u>Package style</u>
E	GDIP1-T16 or CDIP2-T16	16	Dual-in-line
F	GDFP2-F16 or CDFP3-F16	16	Flat pack
X	CQCC2-N20	20	Square leadless chip carrier
2	CQCC1-N20	20	Square leadless chip carrier

Comments, suggestions, or questions on this document should be addressed to: Commander, Defense Supply Center Columbus, ATTN: DSCC-VAS, 3990 East Broad St., Columbus, OH 43216-5000, or emailed to bipolar@dsccl.dla.mil. Since contact information can change, you may want to verify the currency of this address information using the ASSIST Online database at www.dodssp.daps.mil.

1.3 Absolute maximum ratings.

Supply voltage range	-0.5 V dc to +7.0 V dc
Input voltage range	-1.2 V dc at -18 mA to +7.0 V dc
Storage temperature range	-65° to +150°C
Maximum power dissipation, per device (P_D) ^{1/}	253 mW
Lead temperature (soldering, 10 seconds)	+300°C
Thermal resistance, junction to case (θ_{JC}):	
Cases E, F, X, and 2	(See MIL-STD-1835)
Junction temperature (T_J) ^{2/}	175°C

1.4 Recommended operating conditions.

Supply voltage (V_{CC})	4.5 V minimum to 5.5 V maximum
Minimum high level input voltage (V_{IH})	2.0 V dc
Maximum low level input voltage (V_{IL})	0.8 V dc
Width of clock pulse low	
$t_{PW(CPL)}$	6.0 ns minimum
Width of clock pulse high	
$t_{PW(CPH)}$	6.0 ns minimum
Width of master reset pulse low	
$t_{PW(MRL)}$	5.0 ns minimum
Setup time data high to clock pulse	
$t_{SD(H)}$	6.0 ns minimum
Setup time data low to clock pulse	
$t_{SD(L)}$	4.0 ns minimum
Hold time data high to clock pulse	
$t_{HD(H)}$	2.0 ns minimum
Hold time data low to clock pulse	
$t_{HD(L)}$	1.0 ns minimum
Setup time select high to clock pulse	
$t_{SS(H)}$	10.5 ns minimum
Setup time select low to clock pulse	
$t_{SS(L)}$	8.0 ns minimum
Hold time select high to clock pulse	
$t_{HS(H)}$	0.0 ns minimum
Hold time select low to clock pulse	
$t_{HS(L)}$	0.0 ns minimum
Recovery time master reset to clock pulse	
$t_{REC}(\overline{MR}/CP)$	9.0 ns minimum
Input clock frequency	
$f_{(CLOCK)}$	0 - 80 MHz
Case operating temperature range (T_C)	-55° to +125°C

^{1/} Must withstand the added P_D due to short-circuit test (e.g., I_{OS}).

^{2/} Maximum junction temperature shall not be exceeded except in accordance with allowable short duration burn-in screening condition in accordance with MIL-PRF-38535.

2. APPLICABLE DOCUMENTS

2.1 General. The documents listed in this section are specified in sections 3, 4, or 5 of this specification. This section does not include documents cited in other sections of this specification or recommended for additional information or as examples. While every effort has been made to ensure the completeness of this list, document users are cautioned that they must meet all specified requirements of documents cited in sections 3, 4, or 5 of this specification, whether or not they are listed.

2.2 Government documents.

2.2.1 Specifications and Standards. The following specifications and standards form a part of this specification to the extent specified herein. Unless otherwise specified, the issues of these documents are those cited in the solicitation or contract.

DEPARTMENT OF DEFENSE SPECIFICATIONS

MIL-PRF-38535 - Integrated Circuits (Microcircuits) Manufacturing, General Specification for.

DEPARTMENT OF DEFENSE STANDARDS

MIL-STD-883 - Test Method Standard for Microelectronics.
MIL-STD-1835 - Interface Standard Electronic Component Case Outlines

(Copies of these documents are available online at <http://assist.daps.dla.mil;quicksearch/> or www.dodssp.daps.mil or from the Standardization Document Order Desk, 700 Robbins Avenue, Building 4D, Philadelphia, PA 19111-5094.)

2.3 Order of precedence. In the event of a conflict between the text of this specification and the references cited herein, the text of this document takes precedence. Nothing in this document, however, supersedes applicable laws and regulations unless a specific exemption has been obtained.

3. REQUIREMENTS

3.1 Qualification. Microcircuits furnished under this specification shall be products that are manufactured by a manufacturer authorized by the qualifying activity for listing on the applicable qualified manufacturers list before contract award (see 4.3 and 6.4).

3.2 Item requirements. The individual item requirements shall be in accordance with MIL-PRF-38535 and as specified herein or as modified in the device manufacturer's Quality Management (QM) plan. The modification in the QM plan shall not affect the form, fit, or function as described herein.

3.3 Design, construction, and physical dimensions. The design, construction, and physical dimensions shall be as specified in MIL-PRF-38535 and herein.

3.3.1 Terminal connections and logic diagram. The terminal connections and logic diagram shall be as specified on figures 1 and 2, respectively.

3.3.2 Truth table. The truth table shall be as specified on figure 3.

3.3.3 Schematic circuits. The schematic circuits shall be maintained by the manufacturer and made available to the qualifying activity and the preparing activity upon request.

3.3.4 Case outlines. The case outlines shall be as specified in 1.2.3.

3.4 Lead material and finish. The lead material and finish shall be in accordance with MIL-PRF-38535 (see 6.6).

3.5 Electrical performance characteristics. The electrical performance characteristics are as specified in table I, and apply over the full recommended case operating temperature range, unless otherwise specified.

3.6 Electrical test requirements. The electrical test requirements for each device class shall be the subgroups specified in table II. The electrical tests for each subgroup are described in table III.

3.7 Marking. Marking shall be in accordance with MIL-PRF-38535.

3.8 Microcircuit group assignment. The devices covered by this specification shall be in microcircuit group number 12 (see MIL-PRF-38535, appendix A).

4. VERIFICATION

4.1 Sampling and inspection. Sampling and inspection procedures shall be in accordance with MIL-PRF-38535 or as modified in the device manufacturer's Quality Management (QM) plan. The modification in the QM plan shall not effect the form, fit, or function as described herein.

4.2 Screening. Screening shall be in accordance with MIL-PRF-38535 and shall be conducted on all devices prior to qualification and quality conformance inspection. The following additional criteria shall apply:

- a. The burn-in test duration, test condition, and test temperature, or approved alternatives shall be as specified in the device manufacturer's QM plan in accordance with MIL-PRF-38535. The burn-in test circuit shall be maintained under document control by the device manufacturer's Technology Review Board (TRB) in accordance with MIL-PRF-38535 and shall be made available to the acquiring or preparing activity upon request. The test circuit shall specify the inputs, outputs, biases, and power dissipation, as applicable, in accordance with the intent specified in test method 1015 of MIL-STD-883.
- b. Interim and final electrical test parameters shall be as specified in table II, except interim electrical parameters test prior to burn-in is optional at the discretion of the manufacturer.
- c. Additional screening for space level product shall be as specified in MIL-PRF-38535.

4.3 Qualification inspection. Qualification inspection shall be in accordance with MIL-PRF-38535.

4.4 Technology Conformance inspection (TCI). Technology conformance inspection shall be in accordance with MIL-PRF-38535 and herein for groups A, B, C, and D inspections (see 4.4.1 through 4.4.4).

4.4.1 Group A inspection. Group A inspection shall be in accordance with table III of MIL-PRF-38535 and as follows:

- a. Tests shall be as specified in table II herein.
- b. Subgroups 4, 5, and 6 shall be omitted.

TABLE I. Electrical performance characteristics.

Test	Symbol	Conditions $-55^{\circ}\text{C} \leq T_C \leq +125^{\circ}\text{C}$	Device type	Limits		Unit
				Min	Max	
High level output voltage	V_{OH}	$V_{CC} = 4.5\text{ V}$, $V_{IL} = 0.8\text{ V}$, $I_{OH} = -1.0\text{ mA}$, $V_{IH} = 2.0\text{ V}$	All	2.5		V
Low level output voltage	V_{OL}	$V_{CC} = 4.5\text{ V}$, $I_{OL} = 20\text{ mA}$, $V_{IH} = 2.0\text{ V}$, $V_{IL} = 0.8\text{ V}$	All		0.5	V
Input clamp voltage	V_{IC}	$V_{CC} = 4.5\text{ V}$, $I_{IN} = -18\text{ mA}$, $T_C = +25^{\circ}\text{C}$	All		-1.2	V
High level input current	I_{IH1}	$V_{CC} = 5.5\text{ V}$, $V_{IH} = 2.7\text{ V}$	All		20	μA
	I_{IH2}	$V_{CC} = 5.5\text{ V}$, $V_{IH} = 7.0\text{ V}$	All		100	μA
Low level input current	I_{IL1}	$V_{CC} = 5.5\text{ V}$, $V_{IL} = 0.5\text{ V}$	All	-0.03	-0.60	mA
Short circuit output current <u>1/</u>	I_{OS}	$V_{CC} = 5.5\text{ V}$, $V_{OS} = 0\text{ V}$	All	-60	-150	mA
Output drive	I_{OD}	$V_{CC} = 4.5\text{ V}$, $V_{IN} = 2.5\text{ V}$	All	60		mA
Supply current	I_{CC}	$V_{CC} = 5.5\text{ V}$	All		46	mA
Maximum frequency	f_{MAX}	$V_{CC} = 5.0\text{ V}$, $C_L = 50\text{ pF} \pm 10\%$, See figure 4	All	80		MHz
Propagation delay time low-to-high level, CP to Q	t_{PLH1}		All	3.0	8.5	ns
Propagation delay time, high-to-low level, CP to Q	t_{PHL1}		All	3.0	8.5	ns
Propagation delay time high to low level, $\overline{\text{MR}}$ to Q	t_{PHL2}		All	4.5	14.5	ns

1/ The output conditions have been chosen to produce a current that closely approximates one half of the true short circuit output current, I_{OS} .

TABLE II. Electrical test requirements.

MIL-PRF-38535 test requirements	Subgroups (see table III)	
	Class S devices	Class B devices
Interim electrical parameters	1	1
Final electrical test parameters	1*, 2, 3, 7, 9, 10, 11	1*, 2, 3, 7, 9
Group A test requirements	1, 2, 3, 7, 8, 9, 10, 11	1, 2, 3, 7, 8, 9, 10, 11
Group B electrical test parameters when using the method 5005 QCI option	1, 2, 3, 7, 9, 10, 11	N/A
Group C end-point electrical parameters	1, 2, 3, 7, 9, 10, 11	1, 2, 3
Group D end-point electrical parameters	1, 2, 3	1, 2, 3

*PDA applies to subgroup 1.

4.4.2 Group B inspection. Group B inspection shall be in accordance with table II of MIL-PRF-38535.

4.4.3 Group C inspection. Group C inspection shall be in accordance with table IV of MIL-PRF-38535 and as follows:

- a. End-point electrical parameters shall be as specified in table II herein.
- b. The steady-state life test duration, test condition, and test temperature, or approved alternatives shall be as specified in the device manufacturer's QM plan in accordance with MIL-PRF-38535. The burn-in test circuit shall be maintained under document control by the device manufacturer's Technology Review Board (TRB) in accordance with MIL-PRF-38535 and shall be made available to the acquiring or preparing activity upon request. The test circuit shall specify the inputs, outputs, biases, and power dissipation, as applicable, in accordance with the intent specified in test method 1005 of MIL-STD-883.

4.4.4 Group D inspection. Group D inspection shall be in accordance with table V of MIL-PRF-38535. End-point electrical parameters shall be as specified in table II herein.

4.5 Methods of inspection. Methods of inspection shall be specified as follows:

4.5.1 Voltage and current. All voltages given are referenced to the microcircuit ground terminal. Currents given are conventional and positive when flowing into the referenced terminal.

Terminal number	Device type 01	
	Cases E and F	Cases X and 2
1	$\overline{\text{MR}}$	NC
2	DSR	$\overline{\text{MR}}$
3	P0	DSR
4	P1	P0
5	P2	P1
6	P3	NC
7	DSL	P2
8	GND	P3
9	S0	DSL
10	S1	GND
11	CP	NC
12	Q3	S0
13	Q2	S1
14	Q1	CP
15	Q0	Q3
16	V_{CC}	NC
17		Q2
18		Q1
19		Q0
20		V_{CC}

FIGURE 1. Terminal connections.

Device type 01

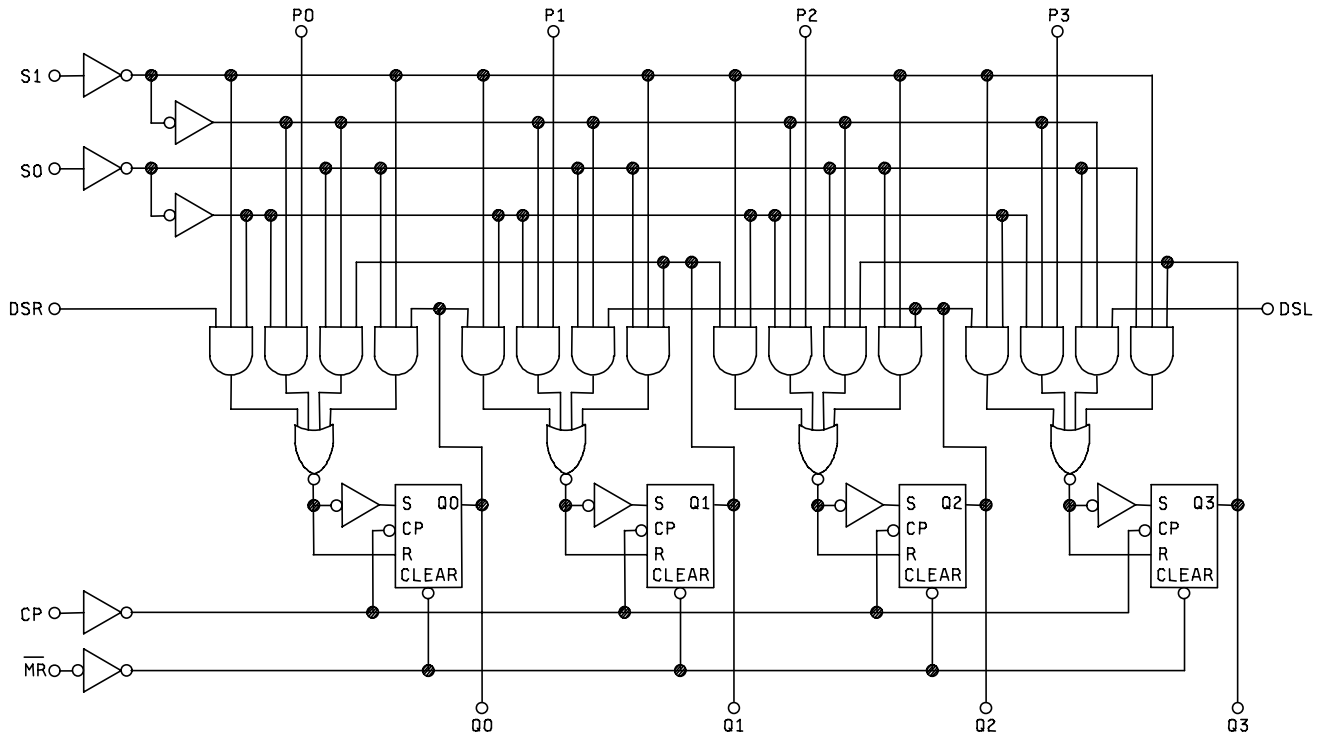


FIGURE 2. Logic diagram.

OPERATING MODE	INPUTS						OUTPUTS			
	\overline{MR}	S1	S0	DSR	DSL	Pn	Q0	Q1	Q2	Q3
Reset	L	X	X	X	X	X	L	L	L	L
Hold	H	l	l	X	X	X	q0	q1	q2	q3
Shift Left	H	h	l	X	l	X	q1	q2	q3	L
	H	h	l	X	h	X	q1	q2	q3	H
Shift Right	H	l	h	l	X	X	L	q0	q1	q2
	H	l	h	h	X	X	H	q0	q1	q2
Parallel Load	H	h	h	X	X	Pn	P0	P1	P2	P3

l = LOW voltage level one setup time prior to the LOW to HIGH clock transition.

h = HIGH voltage level one setup time prior to the LOW to HIGH clock transition.

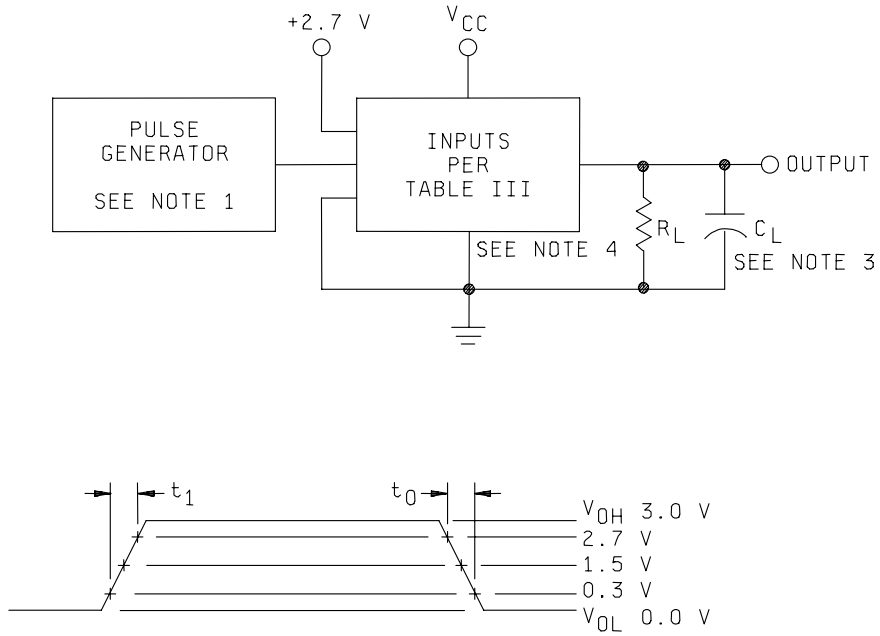
pn (qn) = Lower case letters indicate the state of the referenced input (or output) one setup time prior to the LOW to HIGH clock transition.

H = HIGH voltage level

L = LOW voltage level

X = Immaterial

FIGURE 3. Truth table.



NOTES:

1. Pulse generator had the following characteristics: $t_1 = t_0 \leq 2.5$ ns, PRR ≤ 1 MHz, $Z_{OUT} \approx 50\Omega$.
2. Inputs not under test are at ground.
3. $C_L = 50$ pF $\pm 10\%$ including scope probe, wiring and stray capacitance without package in test fixture.
4. $R_L = 499\Omega \pm 5\%$.
5. Voltage measurements are to be made with respect to network ground terminal.

FIGURE 4. Switching time waveform.

DEVICE TYPE 1

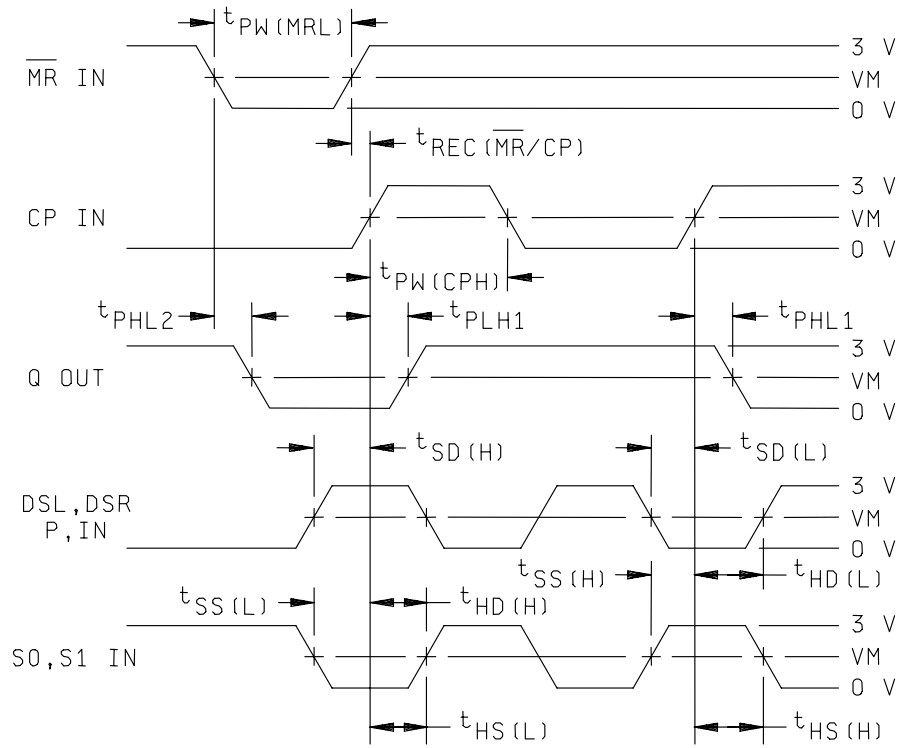


FIGURE 4. Switching time waveform - Continued.

TABLE III. Group A inspection for device type 01.
Terminal conditions (pins not designated may be high ≥ 2.0 V; low ≤ 0.8 V; or open).

Subgroup	Symbol	MIL-STD-883 method	Cases E, F, 2, X, 1/	Test no.	Terminal conditions (pins not designated may be high ≥ 2.0 V; low ≤ 0.8 V; or open)																Limits		Unit								
					1	2	3	4	5	6	7	8	9	10	11	12	13	14	15	16	17	18		19	20	Measured terminal	Min	Max			
1 Tc = 25°C	V _{OH}	3006		1	MR	2	DSR	P0	P1	P2	P3	DSL	GND	S0	S1	CP	Q3	Q2	Q1	Q0	V _{CC}	Q0	2.5		V						
					2	2.0V	0.8V	0V	0V	0V	0V	0V	0V	0V	0V	0V	0.8V	0.8V	2/												
					3	0.8V	2.0V	2.0V	0V	0V	0V	0V	0V	0V	0V	0V	2.0V	2.0V													
					4	0V	0V	0V	2.0V	2.0V	0V	0V	0V	0V	0V	0V	0V	0V	0V												
					5	0V	0V	0V	0V	0V	2.0V	2.0V	0V	0V	0V	0V	0V	0V	0V												
					6	0V	0V	0V	0V	0V	0V	0V	0V	0V	0V	0V	0V	0V	0V												
					7	5.5V	0.8V	2.0V	0V	0V	0V	0V	0V	0V	0V	0V	0V	0.8V	0.8V												
					8	2.0V	2.0V	0.8V	0.8V	0V	0V	0V	0V	0V	0V	0V	0V	2.0V	2.0V	3/											
					9	0V	0V	0V	0.8V	0V	0V	0V	0V	0V	0V	0V	0V	0V	0V												
					10	0V	0V	0V	0V	0V	0.8V	0.8V	0V	0V	0V	0.8V	0.8V	0V	0V												
					11	0V	0V	0V	0V	0V	0V	0V	0V	0V	0V	0.8V	0.8V	0V	0V												
					12	0V	0V	0V	0V	0V	0V	0V	0V	0V	0V	0.8V	0.8V	0V	0V												
					13	-18 mA																									
14	-18 mA																														
15	-18 mA																														
16	-18 mA																														
17	-18 mA																														
18	-18 mA																														
19	-18 mA																														
20	-18 mA																														
21	-18 mA																														
22	-18 mA																														
23	2.7V																														
24	2.7V																														
25	2.7V																														
26	2.7V																														
27	2.7V																														
28	2.7V																														
29	2.7V																														
30	2.7V																														
31	2.7V																														
32	2.7V																														
33	7.0V																														
34	7.0V																														
35	7.0V																														
36	7.0V																														
37	7.0V																														
38	7.0V																														
39	7.0V																														
40	7.0V																														
41	7.0V																														
42	7.0V																														
43	0.5V																														
44	0.5V																														
45	0.5V																														
46	0.5V																														
47	0.5V																														
48	0.5V																														
49	0.5V																														
50	0.5V																														
51	0.5V																														
52	0.5V																														

See footnotes at end of table.

TABLE III. Group A inspection for device type 01 - Continued.
Terminal conditions (pins not designated may be high ≥ 2.0 V; low ≤ 0.8 V; or open).

Subgroup	Symbol	MIL-STD-883 method	Cases E, F Cases 2, X, 1/ Test no.	Terminal conditions (pins not designated may be high ≥ 2.0 V; low ≤ 0.8 V; or open).																Measured terminal	Limits		Unit				
				1	2	3	4	5	6	7	8	9	10	11	12	13	14	15	16		Min	Max					
1 Tc = 25°C	I _{os}	3011	MR	5.5 V	DSR	P0	P1	P2	P3	DSL	GND	S0	S1	CP	Q3	Q2	Q1	Q0	V _{CC}	Q0	-60	-150	mA				
			53	5.5 V	5.5 V	0 V	0 V	0 V	0 V	0 V	5.5 V	5.5 V	5.5 V	3/				0 V	0 V	5.5 V	Q1	"	"	"			
			54	"	"	0 V	5.5 V	"	"	"	"	"	"	"	"	"	"	0 V			"	Q2	"	"	"		
			55	"	"	"	0 V	5.5 V	"	"	"	"	"	"	"	"	"	0 V			"	Q3	"	"	"		
			56	"	"	"	"	"	"	"	"	"	"	"	"	"	"	0 V			"	Q3	"	"	"		
			57	0 V	"	"	"	"	"	"	"	"	"	"	"	"	"	2.5 V	2.5 V		4.5 V	Q2	60	"	"	"	
2	I _{cc}	3005	58	"	"	"	"	"	"	"	"	"	"	"	"	"	"	"	"	"	"	"	"	"			
			59	"	"	"	"	"	"	"	"	"	"	"	"	"	"	"	"	"	"	"	"	"	"		
3	I _{cc}	3005	60	"	"	"	"	"	"	"	"	"	"	"	"	"	"	"	"	"	"	"	"	"			
			61	5.5 V	5.5 V	0 V	0 V	0 V	0 V	5.5 V	5.5 V	5.5 V	3/					2.5 V	2.5 V	5.5 V	Q0	"	"	"			
2	Same tests, terminal conditions, and limits as subgroup 1, except T _c = +125°C and V _{ic} tests are omitted.																										
3	Same tests, terminal conditions, and limits as subgroup 1, except T _c = 55°C and V _{ic} tests are omitted.																										
7 Tc = 25°C	Functional test 5/	3014	62	A	A	A	A	A	A	A	A	GND	A	A	A	A	A	A	A	A	A	A	A	A			
			63	B	A	A	A	A	A	A	A	A	A	A	A	A	A	A	A	A	A	A	A	A	A		
			64	"	B	"	"	"	"	"	"	"	"	"	"	"	"	"	"	"	"	"	"	"	"	"	
			65	"	B	"	"	"	"	"	"	"	"	"	"	"	"	"	"	"	"	"	"	"	"	"	
			66	"	A	B	B	B	B	B	B	B	B	B	B	B	B	B	B	B	B	B	B	B	B	B	
			67	"	A	B	B	B	B	B	B	B	B	B	B	B	B	B	B	B	B	B	B	B	B	B	
			68	"	B	A	A	A	A	A	A	A	A	A	A	A	A	A	A	A	A	A	A	A	A	A	
			69	"	B	A	A	A	A	A	A	A	A	A	A	A	A	A	A	A	A	A	A	A	A	A	
			70	"	A	B	B	B	B	B	B	B	B	B	B	B	B	B	B	B	B	B	B	B	B	B	
			71	"	"	"	"	"	"	"	"	"	"	"	"	"	"	"	"	"	"	"	"	"	"	"	"
			72	"	"	"	"	"	"	"	"	"	"	"	"	"	"	"	"	"	"	"	"	"	"	"	"
			73	"	"	"	"	"	"	"	"	"	"	"	"	"	"	"	"	"	"	"	"	"	"	"	"
			74	"	"	"	"	"	"	"	"	"	"	"	"	"	"	"	"	"	"	"	"	"	"	"	"
75	"	"	"	"	"	"	"	"	"	"	"	"	"	"	"	"	"	"	"	"	"	"	"	"			
76	"	"	"	"	"	"	"	"	"	"	"	"	"	"	"	"	"	"	"	"	"	"	"	"			
77	"	"	"	"	"	"	"	"	"	"	"	"	"	"	"	"	"	"	"	"	"	"	"	"			
78	"	"	"	"	"	"	"	"	"	"	"	"	"	"	"	"	"	"	"	"	"	"	"	"			
79	"	"	"	"	"	"	"	"	"	"	"	"	"	"	"	"	"	"	"	"	"	"	"	"			
80	"	"	"	"	"	"	"	"	"	"	"	"	"	"	"	"	"	"	"	"	"	"	"	"			
81	"	"	"	"	"	"	"	"	"	"	"	"	"	"	"	"	"	"	"	"	"	"	"	"			
82	"	"	"	"	"	"	"	"	"	"	"	"	"	"	"	"	"	"	"	"	"	"	"	"			
83	"	"	"	"	"	"	"	"	"	"	"	"	"	"	"	"	"	"	"	"	"	"	"	"			
84	"	"	"	"	"	"	"	"	"	"	"	"	"	"	"	"	"	"	"	"	"	"	"	"			
85	"	"	"	"	"	"	"	"	"	"	"	"	"	"	"	"	"	"	"	"	"	"	"	"			
86	"	"	"	"	"	"	"	"	"	"	"	"	"	"	"	"	"	"	"	"	"	"	"	"			
87	"	"	"	"	"	"	"	"	"	"	"	"	"	"	"	"	"	"	"	"	"	"	"	"			
88	"	"	"	"	"	"	"	"	"	"	"	"	"	"	"	"	"	"	"	"	"	"	"	"			
89	"	"	"	"	"	"	"	"	"	"	"	"	"	"	"	"	"	"	"	"	"	"	"	"			
90	"	"	"	"	"	"	"	"	"	"	"	"	"	"	"	"	"	"	"	"	"	"	"	"			
91	"	"	"	"	"	"	"	"	"	"	"	"	"	"	"	"	"	"	"	"	"	"	"	"			
92	"	"	"	"	"	"	"	"	"	"	"	"	"	"	"	"	"	"	"	"	"	"	"	"			
93	"	"	"	"	"	"	"	"	"	"	"	"	"	"	"	"	"	"	"	"	"	"	"	"			
94	"	"	"	"	"	"	"	"	"	"	"	"	"	"	"	"	"	"	"	"	"	"	"	"			
95	"	"	"	"	"	"	"	"	"	"	"	"	"	"	"	"	"	"	"	"	"	"	"	"			
96	"	"	"	"	"	"	"	"	"	"	"	"	"	"	"	"	"	"	"	"	"	"	"	"			
97	"	"	"	"	"	"	"	"	"	"	"	"	"	"	"	"	"	"	"	"	"	"	"	"			
98	"	"	"	"	"	"	"	"	"	"	"	"	"	"	"	"	"	"	"	"	"	"	"	"			
99	"	"	"	"	"	"	"	"	"	"	"	"	"	"	"	"	"	"	"	"	"	"	"	"			
100	"	"	"	"	"	"	"	"	"	"	"	"	"	"	"	"	"	"	"	"	"	"	"	"			
101	"	"	"	"	"	"	"	"	"	"	"	"	"	"	"	"	"	"	"	"	"	"	"	"			
102	"	"	"	"	"	"	"	"	"	"	"	"	"	"	"	"	"	"	"	"	"	"	"	"			
103	"	"	"	"	"	"	"	"	"	"	"	"	"	"	"	"	"	"	"	"	"	"	"	"			

See footnotes at end of device types 01.

TABLE III. Group A inspection for device type 01 - Continued.
Terminal conditions (pins not designated may be high ≥ 2.0 V; low ≤ 0.8 V; or open).

Subgroup	Symbol	MIL-STD-883 method	Cases E, F, 2, X, 1/	Test no.	1	2	3	4	5	6	7	8	9	10	11	12	13	14	15	16	Limits		Unit					
					MR	DSR	P0	P1	P2	P3	DSL	GND	S0	S1	CP	Q3	Q2	Q1	Q0	V _{CC}	Measured terminal	Min		Max				
7	Functional test 5/	3014	104	MR	A	B	B	B	B	B	B	B	B	A	A	H	H	H	H	H	H	H	All outputs	ns				
			105	"	A	"	"	"	"	"	"	"	"	"	"	"	B	H	H	H	H	H	"					
			106	"	"	"	"	"	"	"	"	"	"	"	"	"	A	L	L	L	L	L	L		"			
			107	"	"	"	"	"	"	"	"	"	"	"	"	"	B	"	"	"	"	"	"		"			
			108	"	"	A	A	A	A	A	A	A	A	A	A	A	B	"	"	"	"	"	"		"			
			109	"	"	"	"	"	"	"	"	"	"	"	"	"	A	"	"	"	"	"	"		"			
			110	"	"	"	"	"	"	"	"	"	"	"	"	"	A	"	"	"	"	"	"		"			
			Repeat subgroup 7 tests at T _c = +125°C and T _c = -55°C.																									
			9	t _{PLH1}	3003 Fig. 4	111	"	2.7 V	"	2.7 V	"	"	"	"	GND	2.7 V	2.7 V	IN	"	"	"	OUT	OUT		OUT	CP to Q0	3.5	7.0
						112	"	"	"	2.7 V	"	"	"	"	"	"	"	"	"	"	"	"	"		"	"	CP to Q1	"
113	"	"				"	"	2.7 V	"	"	"	"	"	"	"	"	"	OUT	"	"	"	"	CP to Q2	"	"			
114	"	"				"	"	"	2.7 V	"	"	"	"	"	"	"	"	OUT	"	"	"	"	CP to Q3	"	"			
115	"	"				"	"	0 V	"	"	"	"	"	"	"	"	"	"	"	"	OUT	"	CP to Q0	"	"			
116	"	"				"	"	0 V	"	"	"	"	"	"	"	"	"	"	"	"	OUT	"	CP to Q1	"	"			
117	"	"				"	"	"	0 V	"	"	"	"	"	"	"	"	OUT	"	"	"	"	CP to Q2	"	"			
118	"	"				"	"	"	"	"	"	"	"	"	"	"	"	OUT	"	"	"	"	CP to Q3	"	"			
119	"	"				"	"	IN	"	2.7 V	"	"	"	"	"	"	"	"	"	"	OUT	"	MR to Q0	4.5	12.0			
120	"	"				"	"	"	"	2.7 V	"	"	"	"	"	"	"	"	"	"	"	"	MR to Q1	"	"			
121	"	"	"	"	"	"	"	2.7 V	"	"	"	"	"	"	OUT	"	"	"	"	MR to Q2	"	"						
122	"	"	"	"	"	"	"	"	2.7 V	"	"	"	"	"	OUT	"	"	"	"	MR to Q3	"	"						
10	f _{MAX}	"	123	2.7 V	IN	"	"	"	"	"	"	"	2.7 V	0.0 V	IN	"	"	"	OUT	OUT	OUT	Q0	100	MHz				
			124	"	"	"	"	"	"	"	"	"	"	0 V	2.7 V	"	"	"	"	OUT	"	Q3	"	"				
			125	"	"	"	"	"	IN	"	"	"	"	"	2.7 V	"	"	"	"	OUT	OUT	Q0	"	"				
			126	"	"	"	"	"	"	"	"	"	"	"	"	"	"	"	"	"	OUT	OUT	Q1	"	"			
			127	"	"	"	"	"	"	"	"	"	"	"	"	"	"	OUT	"	"	"	"	Q2	"	"			
			128	"	"	"	"	"	"	"	"	"	"	"	"	"	"	OUT	"	"	"	"	Q3	"	"			
11	Same tests, terminal conditions and limits as for subgroup 9, except T _c = +125°C and limits as shown.	"	Same tests, terminal conditions and limits as for subgroup 9, except T _c = +125°C and limits as shown.																				3.0	8.5	ns			
			Same tests, terminal conditions and limits as for subgroup 10, except T _c = -55°C.																				3.0	8.5	"			
			Same tests, terminal conditions and limits as for subgroup 10, except T _c = -55°C.																				4.5	14.5	"			
																				80		MHz						

- 1/ For cases 2 and X pins not referenced are N/C.
- 2/ Apply 3.0 V min/5.5 V max, 0 V, 3.0 V min/5.5 V max to MR then 3.0 V min/5.5 V max, 0 V, 3.0 V min/5.5 V max to CP prior to making measurement.
- 3/ Apply 3.0 V min/5.5 V max, 0 V, 3.0 V min/5.5 V max to CP prior to making measurement.
- 4/ I_{IL1} limits shall be as follows:

Parameter	Test no.	Min/Max limits in mA for circuit		
		A	B	C
I _{IL1}	43 through 52	-25/-60	-03/-60	-03/-60

- 5/ A = 2.5 V minimum, B = 0.5 V maximum, X = don't care. H ≥ 1.5 V, L ≤ 1.5 V.
- 6/ Perform function sequence at V_{CC} = 4.5 V and repeat at V_{CC} = 5.5 V.
- 7/ f_{MAX} shall be measured only under the conditions of initial qualification and after process or design changes which may affect this parameter. For all other conditions, f_{MAX} shall be guaranteed, if not tested, to the limits specified in table III, herein.

5. PACKAGING

5.1 Packaging requirements. For acquisition purposes, the packaging requirements shall be as specified in the contract or order (see 6.2). When actual packaging of materiel is to be performed by DoD or in-house contractor personnel, these personnel need to contact the responsible packaging activity to ascertain packaging requirements. Packaging requirements are maintained by the Inventory Control Point's packaging activity within the Military Service or Defense Agency, or within the military service's system command. Packaging data retrieval is available from the managing Military Department's or Defense Agency's automated packaging files, CD-ROM products, or by contacting the responsible packaging activity.

6. NOTES

6.1 Intended use. Microcircuits conforming to this specification are intended for original equipment design applications and logistic support of existing equipment.

6.2 Acquisition requirements. Acquisition documents should specify the following:

- a. Title, number, and date of the specification.
- b. PIN and compliance identifier, if applicable (see 1.2).
- c. Requirements for delivery of one copy of the conformance inspection data pertinent to the device inspection lot to be supplied with each shipment by the device manufacturer, if applicable.
- d. Requirements for certificate of compliance, if applicable.
- e. Requirements for notification of change of product or process to contracting activity in addition to notification to the qualifying activity, if applicable.
- f. Requirements for failure analysis (including required test condition of method 5003 of MIL-STD-883), corrective action, and reporting of results, if applicable.
- g. Requirements for product assurance options.
- h. Requirements for special carriers, lead lengths, or lead forming, if applicable. These requirements should not affect the part number. Unless otherwise specified, these requirements will not apply to direct purchase by or direct shipment to the Government.
- i. Requirements for "JAN" marking.
- j. Packaging requirements (see 5.1).

6.3 Superseding information. The requirements of MIL-M-38510 have been superseded to take advantage of the available Qualified Manufacturer Listing (QML) system provided by MIL-PRF-38535. Previous references to MIL-M-38510 in this document have been replaced by appropriate references to MIL-PRF-38535. All technical requirements now consist of this specification and MIL-PRF-38535. The MIL-M-38510 specification sheet number and PIN have been retained to avoid adversely impacting existing government logistics systems and contractor's parts lists.

6.4 Qualification. With respect to products requiring qualification, awards will be made only for products which are, at the time of award of contract, qualified for inclusion in Qualified Manufacturers List QML-38535 whether or not such products have actually been so listed by that date. The attention of the contractors is called to these requirements, and manufacturers are urged to arrange to have the products that they propose to offer to the Federal Government tested for qualification in order that they may be eligible to be awarded contracts or purchase orders for the products covered by this specification. Information pertaining to qualification of products may be obtained from DSCC-VQ, 3990 E. Broad Street, Columbus, Ohio 43123-1199.

6.5 Abbreviations, symbols, and definitions. The abbreviations, symbols, and definitions used herein are defined in MIL-PRF-38535, MIL-HDBK-1331, and as follows:

GND Ground zero voltage potential
 I_{IN} Current flowing into an input terminal
 V_{IN} Voltage level at an input terminal

6.6 Logistic support. Lead materials and finishes (see 3.4) are interchangeable. Unless otherwise specified, microcircuits acquired for Government logistic support will be acquired to device class B (see 1.2.2), lead material and finish A (see 3.4). Longer length leads and lead forming should not affect the part number.

6.7 Substitutability. The cross-reference information below is presented for the convenience of users. Microcircuits covered by this specification will functionally replace the listed generic-industry type. Generic-industry microcircuit types may not have equivalent operational performance characteristics across military temperature ranges or reliability factors equivalent to MIL-M-35810 device types and may have slight physical variations in relation to case size. The presence of this information should not be deemed as permitting substitution of generic-industry types for MIL-M-38510 types or as a waiver of any of the provisions of MIL-PRF-38535.

Military device type	Generic-industry type
01	54F194

6.8 Manufacturers' designation. Manufacturers' circuits which form a part of this specification are designated with an "X" as shown in table IV herein.

TABLE IV. Manufacturers' designations.

Device type	Manufacturer's designation		
	Circuit A	Circuit B	Circuit C
	National Semiconductor/ Fairchild Semiconductor	Motorola Inc.	Signetics Corp.
01	X		X

6.9 Changes from previous issue. Asterisks are not used in this revision to identify changes with respect to the previous issue due to the extensiveness of the changes.

CONCLUDING MATERIAL

Custodians:
 Army - CR
 Navy - EC
 Air Force - 11
 DLA - CC

Preparing activity:
 DLA - CC
 (Project 5962-2009)

Review activities:
 Army - MI, SM
 Navy - AS, CG, MC, SH, TD
 Air Force - 03, 19, 99

NOTE: The activities listed above were interested in this document as of the date of this document. Since organizations and responsibilities can change, you should verify the currency of the information above using the ASSIST Online database at www.dodssp.daps.mil.