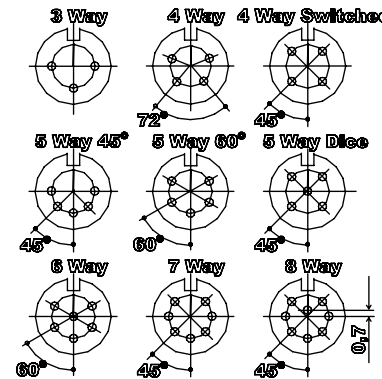
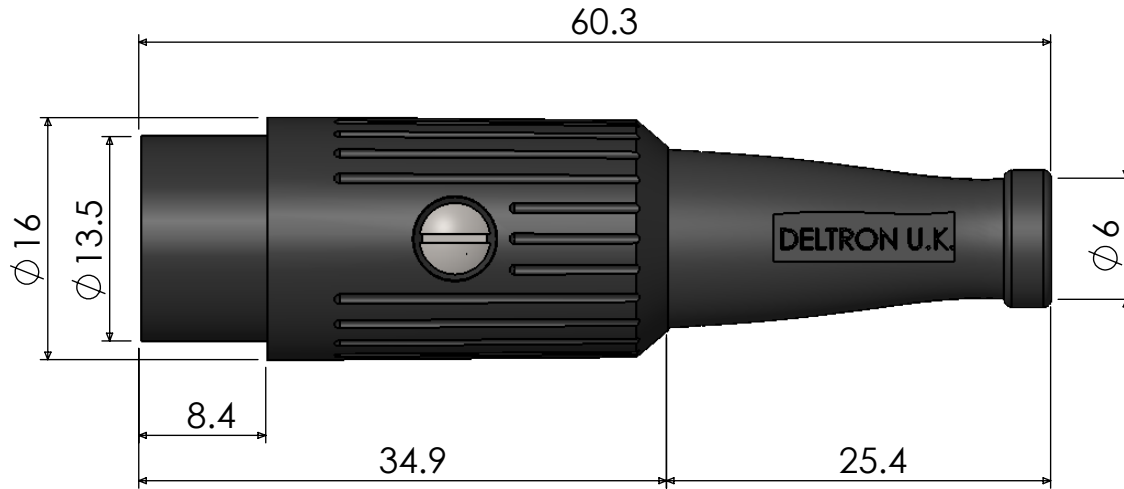


A fully screened robust range of DIN connectors for use in instrumentation and audio applications. Available in non-reflective electrically conductive matt black. Robust construction incorporating cable grip and strain relief.

Manufactured to DIN 41524, 45322, 45326, 45327 and 45329.

Dimensions



Materials	
Housing	Zinc Alloy
	Non-reflective matt black Plated Over Copper
Moulding	Nylon
Contacts	Brass Silver Plated
Cable Clamp	Mild steel Zinc Plated
Grommet	Black P,V,C
Electrical	
Rated Voltage	34 V a.c. or d.c.
Current Rating	2.A
Test Voltage	500 V r.m.s.
Insulation Resistance	103 MΩ min at 100 V d.c
Contact Resistance	10 mΩ max
Capacitance (mated)	3pF
Climatic	
Climatic category	25/070/21
Temperature Range	-25°C to +70°C
Damp heat, steady state	21 days

Type	Deltron No
3 Way	611-0300
4 Way	611-0400
5 Way 45°	611-0500
5 Way 60°	611-0510
5 Way Dice	611-0520
6 Way	611-0600
7 Way	611-0700
8 Way	611-0800

Tel No. +44(0)1724 273200 Website www.dem-uk.com



PROPRIETARY AND CONFIDENTIAL
 THE INFORMATION CONTAINED IN THIS DRAWING IS THE SOLE PROPERTY OF ALPHA 3 MANUFACTURING.
 ANY REPRODUCTION IN PART OR AS A WHOLE WITHOUT THE WRITTEN PERMISSION OF ALPHA 3 MANUFACTURING IS PROHIBITED.

DEM Manufacturing, Deltron Emcon House
 Hargreaves Way, Sawcliffe Ind. Park,
 Scunthorpe, North Lincolnshire, DN15 8RF, UK

UNLESS OTHERWISE SPECIFIED:
 DIMENSIONS ARE IN MILLIMETRES
 LINEAR TOLERANCE:
NO DECIMAL PLACES ±0.5mm
1 DECIMAL PLACE ±0.25mm
2 DECIMAL PLACES ±0.125mm
 ANGULAR TOLERANCE: ±1°

FINISH SCREENED DIN CONNECTOR STANDARD PLUG NICKEL
 DEBURR AND BREAK SHARP EDGES
 IF IN DOUBT ASK
 DO NOT SCALE DRAWING
 MATERIAL SEE NOTE

DRAWN BY SPB
 APPROVED BY WC
 THIRD ANGLE PROJECTION

SHEET 1 OF 1
 SCALE 1:1
 A4

TITLE GENERAL SPECIFICATION FOR 611 SERIES
 DRAWING NO. 611 SERIES
 ISSUE 08
 Release