

GreenPAK Programmable Mixed-Signal Matrix

General Description

The SLG46855 provides a small, low power component for commonly used Mixed-Signal functions. The user creates their circuit design by programming the one time programmable (OTP) Non-Volatile Memory (NVM) to configure the interconnect logic, the IO Pins, and the macrocells of the SLG46855. This highly versatile device allows a wide variety of Mixed-Signal functions to be designed within a very small, low power single integrated circuit.

Key Features

- Two High Speed General Purpose Analog Comparators (ACMPxH)
- Two Low Power General Purpose Analog Comparators (ACMPxL)
- Two Voltage References (Vref)
 - Two Vref Outputs
- Fifteen Combination Function Macrocells
 - Three Selectable DFF/LATCH or 2-bit LUTs
 - One Selectable Programmable Pattern Generator or 2-bit LUT
 - Nine Selectable DFF/LATCH or 3-bit LUTs
 - One Selectable Pipe Delay or Ripple Counter, or 3-bit LUT
 - One Selectable DFF/LATCH or 4-bit LUTs
- Eight Multi-Function Macrocells
 - Seven Selectable DFF/LATCH or 3-bit LUTs + 8-bit Delay/Counters
 - One Selectable DFF/LATCH or 4-bit LUT + 16-bit Delay/Counter
- Serial Communications
 - I²C Protocol Interface
- Programmable Delay with Edge Detector Output
- Deglitch Filter or Edge Detector
- Three Oscillators (OSC)
 - 2.048 kHz Oscillator
 - 2.048 MHz Oscillator
 - 25 MHz Oscillator
- Analog Temperature Sensor
- Power-On Reset (POR)
- Read Back Protection (Read Lock)
- Power Supply
 - 2.5 V ($\pm 8\%$) to 5 V ($\pm 10\%$)
- Operating Temperature Range: -40 °C to 85 °C
- RoHS Compliant/Halogen-Free
- Available Package
 - 14-pin STQFN: 1.6 mm x 2.0 mm x 0.55 mm, 0.4 mm pitch

Applications

- Personal Computers and Servers
- PC Peripherals
- Consumer Electronics
- Data Communications Equipment
- Handheld and Portable Electronics
- Smartphones and Fitness Bands
- Notebook and Tablet PCs

GreenPAK Programmable Mixed-Signal Matrix

Contents

General Description	1
Key Features	1
Applications	1
1 Block Diagram	7
2 Pinout	8
2.1 Pin Configuration - STQFN- 14L	8
3 Characteristics	11
3.1 Absolute Maximum Ratings	11
3.2 Electrostatic Discharge Ratings	11
3.3 Recommended Operating Conditions	11
3.4 Electrical Characteristics	12
3.5 Timing Characteristics	18
3.6 Counter/Delay Characteristics	22
3.7 Oscillator Characteristics	22
3.8 ACMP Characteristics	23
3.9 Analog Temperature Sensor Characteristics	27
4 User Programmability	29
5 IO Pins	30
5.1 GPIO Pins	30
5.2 GPI Pins	30
5.3 GPO Pins	30
5.4 Pull-Up/Down Resistors	30
5.5 Fast Pull-up/down during Power-up	30
5.6 GPI Structure	31
5.7 GPIO with I ² C Mode IO Structure	32
5.8 Matrix OE IO Structure	33
5.9 GPO Structure	35
5.10 IO Typical Performance	36
6 Connection Matrix	39
6.1 Matrix Input Table	40
6.2 Matrix Output Table	42
6.3 Connection Matrix Virtual Inputs	45
6.4 Connection Matrix Virtual Outputs	45
7 Combination Function Macrocells	46
7.1 2-Bit LUT or D Flip-Flop Macrocells	46
7.2 2-bit LUT or Programmable Pattern Generator	49
7.3 3-Bit LUT or D Flip-Flop with Set/Reset Macrocells	51
7.4 4-Bit LUT or D Flip-Flop with Set/Reset Macrocell	60
7.5 3-Bit LUT or Pipe Delay/Ripple Counter Macrocell	62
8 Multi-Function Macrocells	66
8.1 3-Bit LUT or DFF/Latch with 8-Bit Counter/Delay Macrocells	66
8.2 4-Bit LUT or DFF/Latch with 16-Bit Counter/Delay Macrocell	76
8.3 CNT/DLY/FSM Timing Diagrams	79
8.4 Wake and Sleep Controller	87
9 Analog Comparators	92
9.1 ACMP0H Block Diagram	93
9.2 ACMP1H Block Diagram	94
9.3 ACMP2L Block Diagram	95
9.4 ACMP3L Block Diagram	96
9.5 ACMP Typical Performance	97
10 Programmable Delay/Edge Detector	101
10.1 Programmable Delay Timing Diagram - Edge Detector OUTPUT	101
11 Additional Logic Function. Deglitch Filter	102
12 Voltage Reference	103
12.1 Voltage Reference Overview	103

GreenPAK Programmable Mixed-Signal Matrix

12.2 Vref Selection Table	103
12.3 Vref Block Diagram	104
12.4 Vref Load Regulation	105
13 Clocking	107
13.1 Osc General description	107
13.2 Oscillator0 (2.048 kHz)	108
13.3 Oscillator1 (2.048 MHz)	109
13.4 Oscillator2 (25 MHz)	110
13.5 CNT/DLY Clock Scheme	110
13.6 External Clocking	111
13.7 Oscillators Power-On Delay	112
13.8 Oscillators Accuracy	114
14 Power-On Reset	117
14.1 General Operation	117
14.2 POR Sequence	118
14.3 Macrocells Output States During POR Sequence	118
15 I²C Serial Communications Macrocell	121
15.1 I ² C Serial Communications Macrocell Overview	121
15.2 I ² C Serial Communications Device Addressing	121
15.3 I ² C Serial General Timing	122
15.4 I ² C Serial Communications Commands	122
15.5 I ² C Serial Command Register Map	126
15.6 I ² C Additional Options	127
16 Analog Temperature Sensor	129
17 Register Definitions	132
17.1 Register Map	132
18 Package Top Marking Definitions	190
18.1 STQFN 14L 1.6 mm x 2 mm 0.4P FC, before February 1, 2021	190
18.2 STQFN 14L 1.6 mm x 2 mm 0.4P FC, after February 1, 2021	190
19 Package Information	191
19.1 Package outlines FOR STQFN 14L 1.6 mm x 2.0 mm x 0.55 mm 0.4P FC Package	191
19.2 STQFN Handling	192
19.3 Soldering Information	192
20 Ordering Information	193
20.1 Tape and Reel Specifications	193
20.2 Carrier Tape Drawing and Dimensions	193
21 Layout Guidelines	194
21.1 STQFN 14L 1.6 mm x 2.0 mm x 0.55 mm 0.4P FC Package	194
Glossary	195
Revision History	198

GreenPAK Programmable Mixed-Signal Matrix

Figures

Figure 1: Block Diagram.....	7
Figure 2: Steps to Create a Custom GreenPAK Device.....	29
Figure 3: IO0 GPI Structure Diagram.....	31
Figure 4: GPIO with I ² C Mode IO Structure Diagram.....	32
Figure 5: Matrix OE IO Structure Diagram.....	33
Figure 6: Matrix OE IO 4x Drive Structure Diagram.....	34
Figure 7: GPO Register OE 4x Drive Structure Diagram.....	35
Figure 8: Typical High Level Output Current vs. High Level Output Voltage at T = 25 °C.....	36
Figure 9: Typical Low Level Output Current vs. Low Level Output Voltage, 1x Drive at T = 25 °C, Full Range.....	36
Figure 10: Typical Low Level Output Current vs. Low Level Output Voltage, 1x Drive at T = 25 °C.....	37
Figure 11: Typical Low Level Output Current vs. Low Level Output Voltage, 2x Drive at T = 25 °C, Full Range.....	37
Figure 12: Typical Low Level Output Current vs. Low Level Output Voltage, 2x Drive at T = 25 °C.....	38
Figure 13: Connection Matrix.....	39
Figure 14: Connection Matrix Example.....	39
Figure 15: 2-bit LUT0 or DFF0.....	46
Figure 16: 2-bit LUT1 or DFF1.....	47
Figure 17: 2-bit LUT2 or DFF2.....	47
Figure 18: DFF Polarity Operations.....	49
Figure 19: 2-bit LUT3 or PGen.....	50
Figure 20: PGen Timing Diagram.....	50
Figure 21: 3-bit LUT0 or DFF3.....	52
Figure 22: 3-bit LUT1 or DFF4.....	53
Figure 23: 3-bit LUT2 or DFF5.....	53
Figure 24: 3-bit LUT3 or DFF6.....	54
Figure 25: 3-bit LUT4 or DFF7.....	54
Figure 26: 3-bit LUT5 or DFF8.....	55
Figure 27: 3-bit LUT6 or DFF9.....	55
Figure 28: 3-bit LUT7 or DFF10.....	56
Figure 29: 3-bit LUT8 or DFF11.....	56
Figure 30: DFF Polarity Operations with nReset.....	59
Figure 31: DFF Polarity Operations with nSet.....	60
Figure 32: 4-bit LUT0 or DFF12.....	61
Figure 33: 3-bit LUT16/Pipe Delay/Ripple Counter.....	63
Figure 34: Example: Ripple Counter Functionality.....	64
Figure 35: Possible Connections Inside Multi-Function Macrocell.....	66
Figure 36: 8-bit Multi-Function Macrocells Block Diagram (3-bit LUT9/DFF13, CNT/DLY1).....	67
Figure 37: 8-bit Multi-Function Macrocells Block Diagram (3-bit LUT10/DFF14, CNT/DLY2).....	68
Figure 38: 8-bit Multi-Function Macrocells Block Diagram (3-bit LUT11/DFF15, CNT/DLY3).....	69
Figure 39: 8-bit Multi-Function Macrocells Block Diagram (3-bit LUT12/DFF16, CNT/DLY4).....	70
Figure 40: 8-bit Multi-Function Macrocells Block Diagram (3-bit LUT13/DFF17, CNT/DLY5).....	71
Figure 41: 8-bit Multi-Function Macrocells Block Diagram (3-bit LUT14/DFF18, CNT/DLY6).....	72
Figure 42: 8-bit Multi-Function Macrocells Block Diagram (3-bit LUT15/DFF19, CNT/DLY7).....	73
Figure 43: 4-bit LUT1 or CNT/DLY0.....	77
Figure 44: Delay Mode Timing Diagram, Edge Select: Both, Counter Data: 3.....	79
Figure 45: Delay Mode Timing Diagram for Different Edge Select Modes.....	80
Figure 46: Counter Mode Timing Diagram without Two DFFs Synced Up.....	80
Figure 47: Counter Mode Timing Diagram with Two DFFs Synced Up.....	81
Figure 48: One-Shot Function Timing Diagram.....	81
Figure 49: Frequency Detection Mode Timing Diagram.....	82
Figure 50: Edge Detection Mode Timing Diagram.....	83
Figure 51: Delayed Edge Detection Mode Timing Diagram.....	84
Figure 52: CNT/FSM Timing Diagram (Reset Rising Edge Mode, Oscillator is Forced On, UP = 0) for Counter Data = 3.....	85
Figure 53: CNT/FSM Timing Diagram (Set Rising Edge Mode, Oscillator is Forced On, UP = 0) for Counter Data = 3.....	85
Figure 54: CNT/FSM Timing Diagram (Reset Rising Edge Mode, Oscillator is Forced On, UP = 1) for Counter Data = 3.....	86
Figure 55: CNT/FSM Timing Diagram (Set Rising Edge Mode, Oscillator is Forced On, UP = 1) for Counter Data = 3.....	86

GreenPAK Programmable Mixed-Signal Matrix

Figure 56: Counter Value, Counter Data = 3.....	87
Figure 57: Wake/Sleep Controller	88
Figure 58: Wake/Sleep Timing Diagram, Normal Wake Mode, Counter Reset is Used	89
Figure 59: Wake/Sleep Timing Diagram, Short Wake Mode, Counter Reset is Used	89
Figure 60: Wake/Sleep Timing Diagram, Normal Wake Mode, Counter Set is Used	90
Figure 61: Wake/Sleep Timing Diagram, Short Wake Mode, Counter Set is Used	90
Figure 62: ACMP0H Block Diagram.....	93
Figure 63: ACMP1H Block Diagram.....	94
Figure 64: ACMP2L Block Diagram	95
Figure 65: ACMP3L Block Diagram	96
Figure 66: Typical Propagation Delay vs. Vref for ACMPxH at T = 25 °C, Gain = 1, Buffer - Disabled, Hysteresis = 0	97
Figure 67: Typical Propagation Delay vs. Vref for ACMPxL at T = 25 °C, Gain = 1, Buffer - Disabled, Hysteresis = 0	97
Figure 68: ACMPxH Power-On Delay vs. V _{DD}	98
Figure 69: ACMPxL Power-On Delay vs. V _{DD}	98
Figure 70: ACMPxH Input Offset Voltage vs. Vref at T = -40 °C to 85 °C, Input Buffer Disabled	99
Figure 71: ACMPxH Input Offset Voltage vs. Vref at T = -40 °C to 85 °C, Input Buffer Enabled	99
Figure 72: ACMPxL Input Offset Voltage vs. Vref at T = -40 °C to 85 °C	100
Figure 73: ACMP Input Current Source vs. Input Voltage at T = -40 °C to 85 °C, V _{DD} = 3.3 V	100
Figure 74: Programmable Delay	101
Figure 75: Edge Detector Output	101
Figure 76: Deglitch Filter/Edge Detector	102
Figure 77: Voltage Reference Block Diagram.....	104
Figure 78: Typical Load Regulation, Vref = 320 mV, T = -40 °C to +85 °C, Buffer - Enable.....	105
Figure 79: Typical Load Regulation, Vref = 640 mV, T = -40 °C to +85 °C, Buffer - Enable.....	105
Figure 80: Typical Load Regulation, Vref = 1280 mV, T = -40 °C to +85 °C, Buffer - Enable.....	106
Figure 81: Typical Load Regulation, Vref = 2016 mV, T = -40 °C to +85 °C, Buffer - Enable.....	106
Figure 82: Oscillator0 Block Diagram.....	108
Figure 83: Oscillator1 Block Diagram.....	109
Figure 84: Oscillator2 Block Diagram.....	110
Figure 85: Clock Scheme	111
Figure 86: Oscillator Startup Diagram.....	112
Figure 87: Oscillator0 Maximum Power-On Delay vs. V _{DD} at T = 25 °C, OSC0 = 2.048 kHz.....	112
Figure 88: Oscillator1 Maximum Power-On Delay vs. V _{DD} at T = 25 °C, OSC1 = 2.048 MHz	113
Figure 89: Oscillator2 Maximum Power-On Delay vs. V _{DD} at T = 25 °C, OSC2 = 25 MHz	113
Figure 90: Oscillator0 Frequency vs. Temperature, OSC0 = 2.048 kHz.....	114
Figure 91: Oscillator1 Frequency vs. Temperature, OSC1 = 2.048 MHz.....	114
Figure 92: Oscillator2 Frequency vs. Temperature, OSC2 = 25 MHz.....	115
Figure 93: Oscillators Total Error vs. Temperature	115
Figure 94: POR Sequence	118
Figure 95: Internal Macrocell States During POR Sequence.....	119
Figure 96: Power-Down.....	120
Figure 97: Basic Command Structure	122
Figure 98: I ² C General Timing Characteristics.....	122
Figure 99: Byte Write Command, R/W = 0.....	123
Figure 100: Sequential Write Command	123
Figure 101: Current Address Read Command, R/W = 1.....	124
Figure 102: Random Read Command	124
Figure 103: Sequential Read Command.....	125
Figure 104: Reset Command Timing	125
Figure 105: Example of I ² C Byte Write Bit Masking.....	128
Figure 106: Analog Temperature Sensor Structure Diagram.....	130
Figure 107: TS Output vs. Temperature, V _{DD} = 2.3 V to 5.5 V	131

GreenPAK Programmable Mixed-Signal Matrix

Tables

Table 1: Functional Pin Description.....	8
Table 2: Pin Type Definitions	10
Table 3: Absolute Maximum Ratings.....	11
Table 4: Electrostatic Discharge Ratings	11
Table 5: Recommended Operating Conditions	11
Table 6: EC at T = -40 °C to +85 °C, V _{DD} = 2.3 V to 5.5 V Unless Otherwise Noted	12
Table 7: EC of the I ² C Pins at T = -40 °C to +85 °C, V _{DD} = 2.3 V to 5.5 V Unless Otherwise Noted	15
Table 8: I ² C Pins Timing Characteristics T = -40 °C to +85 °C, V _{DD} = 2.3 V to 5.5 V Unless Otherwise Noted.....	16
Table 9: Typical Current Estimated for Each Macrocell at T = -40 °C to +85 °C	16
Table 10: Typical Delay Estimated for Each Macrocell at T = 25 °C.....	18
Table 11: Programmable Delay Expected Typical Delays and Widths at T = 25 °C.....	21
Table 12: Typical Filter Rejection Pulse Width at T = 25 °C	22
Table 13: Typical Counter/Delay Offset at T = 25 °C	22
Table 14: Oscillators Frequency Limits, V _{DD} = 2.3 V to 5.5 V.....	22
Table 15: Oscillators Power-On Delay at T = 25 °C, OSC Power Setting: "Auto Power-On"	23
Table 16: ACMP Specifications at T = -40 °C to +85 °C, V _{DD} = 2.3 V to 5.5 V Unless Otherwise Noted.....	23
Table 17: TS Output vs Temperature (Output Range 1)	27
Table 18: TS Output vs Temperature (Output Range 2)	27
Table 19: TS Output Error (Output Range 1).....	28
Table 20: TS Output Error (Output Range 2).....	28
Table 21: Matrix Input Table.....	40
Table 22: Matrix Output Table.....	42
Table 23: Connection Matrix Virtual Inputs	45
Table 24: 2-bit LUT0 Truth Table	48
Table 25: 2-bit LUT1 Truth Table	48
Table 26: 2-bit LUT2 Truth Table	48
Table 27: 2-bit LUT Standard Digital Functions	48
Table 28: 2-bit LUT1 Truth Table	51
Table 29: 2-bit LUT Standard Digital Functions	51
Table 30: 3-bit LUT0 Truth Table	57
Table 31: 3-bit LUT1 Truth Table	57
Table 32: 3-bit LUT2 Truth Table	57
Table 33: 3-bit LUT3 Truth Table	57
Table 34: 3-bit LUT4 Truth Table	57
Table 35: 3-bit LUT5 Truth Table	57
Table 36: 3-bit LUT6 Truth Table	57
Table 37: 3-bit LUT7 Truth Table	57
Table 38: 3-bit LUT8 Truth Table	58
Table 39: 3-bit LUT Standard Digital Functions	58
Table 40: 4-bit LUT0 Truth Table	61
Table 41: 4-bit LUT Standard Digital Functions	62
Table 42: 3-bit LUT16 Truth Table	65
Table 43: 3-bit LUT9 Truth Table	74
Table 44: 3-bit LUT10 Truth Table	74
Table 45: 3-bit LUT11 Truth Table	74
Table 46: 3-bit LUT12 Truth Table	74
Table 47: 3-bit LUT13 Truth Table	74
Table 48: 3-bit LUT14 Truth Table	74
Table 49: 3-bit LUT15 Truth Table	74
Table 50: 4-bit LUT1 Truth Table	78
Table 51: 4-bit LUT Standard Digital Functions	78
Table 52: Vref Selection Table	103
Table 53: Oscillator Operation Mode Configuration Settings	107
Table 54: Read/Write Protection Options.....	126
Table 55: Register Map.....	132

GreenPAK Programmable Mixed-Signal Matrix

1 Block Diagram

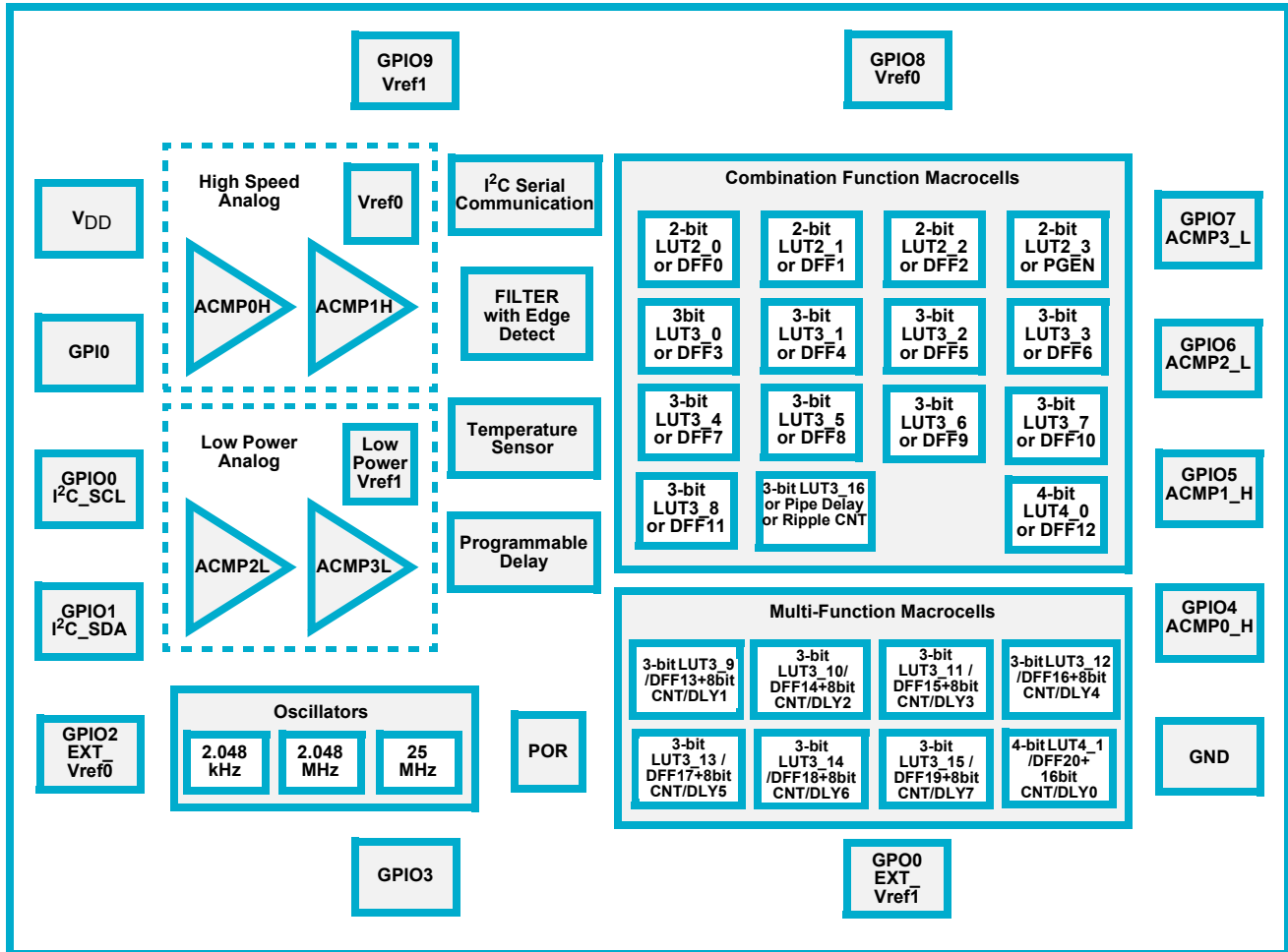
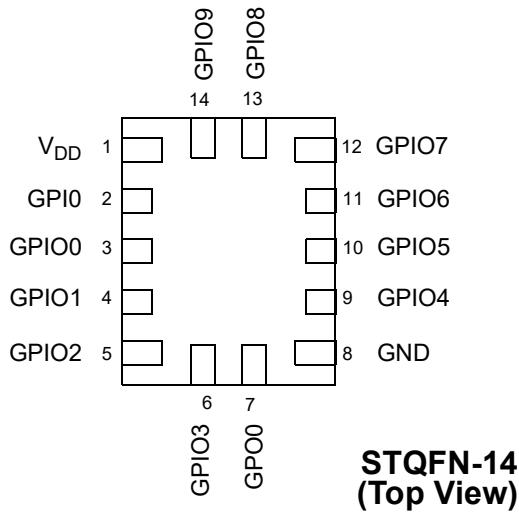


Figure 1: Block Diagram

GreenPAK Programmable Mixed-Signal Matrix

2 Pinout

2.1 PIN CONFIGURATION - STQFN- 14L



Pin #	Pin Name	Pin Functions
1	V _{DD}	Power Supply
2	GPIO0	GPI, SLA_0
3	GPIO00	GPIO, SCL
4	GPIO1	GPIO, SDA
5	GPIO2	GPIO with OE, EXT_Vref0, SLA_1
6	GPIO3	GPIO with OE
7	GPO0	GPO, EXT_Vref1
8	GND	Ground
9	GPIO4	GPIO with OE, ACMP0_H+, SLA_2
10	GPIO5	GPIO with OE, ACMP1_H+, SLA_3
11	GPIO6	GPIO with OE, ACMP2_L+
12	GPIO7	GPIO with OE, ACMP3_L+
13	GPIO8	GPIO with OE, Vref0_OUT, TS_OUT
14	GPIO9	GPIO with OE, Vref1_OUT

Legend:

- OE:** Output Enable
- ACMPx+:** ACMPx Positive Input
- ACMPx-:** ACMPx Negative Input
- SCL:** I²C Clock Input
- SDA:** I²C Data Input/Output
- Vrefx:** Voltage Reference Output
- EXT_CLKx:** External Clock Input
- SLA:** Slave Address
- TS_OUT:** Temperature Output

Table 1: Functional Pin Description

STQFN 14L Pin #	Pin Name	Signal Name	Function	Input Options	Output Options
1	V _{DD}	V _{DD}	Power Supply	--	--
		ACMP0_H+	Analog Comparator 0 Positive Input	Analog	--
		ACMP1_H+	Analog Comparator 1 Positive Input	Analog	--
		ACMP2_L+	Analog Comparator 2 Positive Input	Analog	--
		ACMP3_L+	Analog Comparator 3 Positive Input	Analog	--
2	GPIO0	GPIO0	General Purpose Input	Digital Input without Schmitt Trigger	--
				Digital Input with Schmitt Trigger	--
				Low Voltage Digital Input	--
		Slave Address 0	--	--	

GreenPAK Programmable Mixed-Signal Matrix

Table 1: Functional Pin Description (Continued)

STQFN 14L Pin #	Pin Name	Signal Name	Function	Input Options	Output Options
3	GPIO0	GPIO0	General Purpose IO with OE (Note 1)	Digital Input without Schmitt Trigger	Open-Drain NMOS (3.2x)
				Digital Input with Schmitt Trigger	
				Low Voltage Digital Input	--
		SCL	I ² C Serial Clock	Digital Input without Schmitt Trigger	--
				Low Voltage Digital Input	--
4	GPIO1	GPIO1	General Purpose IO	Digital Input without Schmitt Trigger	Open-Drain NMOS (3.2x)
				Digital Input with Schmitt Trigger	
				Low Voltage Digital Input	
		SDA	I ² C Serial Data	Digital Input without Schmitt Trigger	--
				Low Voltage Digital Input	--
5	GPIO2	GPIO2	General Purpose IO with OE (Note 1)	Digital Input without Schmitt Trigger	Push-Pull (1x) (2x)
				Digital Input with Schmitt Trigger	Open-Drain NMOS (1x) (2x)
				Low Voltage Digital Input	--
		Slave Address 1		--	--
EXT_VREF0	Analog Comparator Negative Input	Analog	--		
6	GPIO3	GPIO3	General Purpose IO with OE (Note 1)	Digital Input without Schmitt Trigger	Push-Pull (1x) (2x)
				Digital Input with Schmitt Trigger	Open-Drain NMOS (1x) (2x)
				Low Voltage Digital Input	--
7	GPO0	GPO0	General Purpose Output	--	Push-Pull (1x) (2x)
				--	Open-Drain NMOS (1x) (2x) (4x)
		EXT_VREF1	Analog Comparator Negative Input	Analog	--
8	GND	GND	Power Supply	--	--
9	GPIO4	GPIO4	General Purpose IO with OE (Note 1)	Digital Input without Schmitt Trigger	Push-Pull (1x) (2x)
				Digital Input with Schmitt Trigger	Open-Drain NMOS (1x) (2x) (4x)
				Low Voltage Digital Input	--
		ACMP0_H+	Analog Comparator 0_H Positive Input	Analog	--
Slave Address 2		--	--		

GreenPAK Programmable Mixed-Signal Matrix

Table 1: Functional Pin Description (Continued)

STQFN 14L Pin #	Pin Name	Signal Name	Function	Input Options	Output Options
10	GPIO5	GPIO5	General Purpose IO with OE (Note 1)	Digital Input without Schmitt Trigger	Push-Pull (1x) (2x)
				Digital Input with Schmitt Trigger	Open-Drain NMOS (1x) (2x)
				Low Voltage Digital Input	--
		ACMP1_H+	Analog Comparator 1_H Positive Input	Analog	--
		Slave Address 3		--	--
11	GPIO6	GPIO6	General Purpose IO with OE (Note 1)	Digital Input without Schmitt Trigger	Push-Pull (1x) (2x)
				Digital Input with Schmitt Trigger	Open-Drain NMOS (1x) (2x)
				Low Voltage Digital Input	--
		ACMP2_L+	Analog Comparator 2_L Positive Input	Analog	--
12	GPIO7	GPIO7	General Purpose IO with OE (Note 1)	Digital Input without Schmitt Trigger	Push-Pull (1x) (2x)
				Digital Input with Schmitt Trigger	Open-Drain NMOS (1x) (2x)
				Low Voltage Digital Input	--
		ACMP3_L+	Analog Comparator 3_L Positive Input	Analog	--
13	GPIO8	GPIO8	General Purpose IO with OE (Note 1)	Digital Input without Schmitt Trigger	Push-Pull (1x) (2x)
				Digital Input with Schmitt Trigger	Open-Drain NMOS (1x) (2x)
				Low Voltage Digital Input	--
		Vref0	Vref0 Output	Analog	--
14	GPIO9	GPIO9	General Purpose IO with OE (Note 1)	Digital Input without Schmitt Trigger	Push-Pull (1x) (2x)
				Digital Input with Schmitt Trigger	Open-Drain NMOS (1x) (2x)
				Low Voltage Digital Input	--
		Vref1	Vref1 Output	Analog	--

Note 1 General Purpose IO's with OE can be used to implement bidirectional signals under user control via Connection Matrix to OE signal in IO structure.

Table 2: Pin Type Definitions

Pin Type	Description
V _{DD}	Power Supply
GPI	General Purpose Input
GPIO	General Purpose Input/Output
GPO	General Purpose Output
GND	Ground

GreenPAK Programmable Mixed-Signal Matrix

3 Characteristics

3.1 ABSOLUTE MAXIMUM RATINGS

Stresses beyond those listed under Absolute Maximum Ratings may cause permanent damage to the device. These are stress ratings only, so functional operation of the device at these or any other conditions beyond those indicated in the operational sections of the specification are not implied. Exposure to Absolute Maximum Rating conditions for extended periods may affect device reliability.

Table 3: Absolute Maximum Ratings

Parameter	Min	Max	Unit
Supply Voltage on V_{DD} relative to GND	-0.3	7	V
DC Input Voltage	GND - 0.5 V	$V_{DD} + 0.5$ V	V
Maximum Average or DC Current (Through V_{DD} or GND pin)	--	90	mA
Maximum Average or DC Current (Through pin)	Push-Pull 1x	11	mA
	Push-Pull 2x	16	
	Push-Pull 4x	32	
	OD 1x	11	
	OD 2x	21	
	OD 4x	43	
Current at Input Pin	-1.0	1.0	mA
Input Leakage Current (Absolute Value)	--	1000	nA
Storage Temperature Range	-65	150	°C
Junction Temperature	--	150	°C
Moisture Sensitive Level	1		

3.2 ELECTROSTATIC DISCHARGE RATINGS

Table 4: Electrostatic Discharge Ratings

Parameter	Min	Max	Unit
ESD Protection (Human Body Model)	2000	--	V
ESD Protection (Charged Device Model)	1300	--	V

3.3 RECOMMENDED OPERATING CONDITIONS

Table 5: Recommended Operating Conditions

Parameter	Condition	Min	Max	Unit
Supply Voltage (V_{DD})		2.3	5.5	V
Operating Temperature		-40	85	°C
Maximal Voltage Applied to any PIN in High Impedance State		--	$V_{DD} + 0.3$	V
Capacitor Value at V_{DD}		0.1	--	μF
Analog Input Common Mode Range	Allowable Input Voltage at Analog Pins	0	V_{DD}	V

GreenPAK Programmable Mixed-Signal Matrix

3.4 ELECTRICAL CHARACTERISTICS

Table 6: EC at T = -40 °C to +85 °C, V_{DD} = 2.3 V to 5.5 V Unless Otherwise Noted

Parameter	Description	Condition	Min	Typ	Max	Unit
V _{IH}	HIGH-Level Input Voltage	Logic Input (Note 1)	0.7x V _{DD}	--	V _{DD} + 0.3	V
		Logic Input with Schmitt Trigger	0.8x V _{DD}	--	V _{DD} + 0.3	V
		Low-Level Logic Input (Note 1)	1.25	--	V _{DD} + 0.3	V
V _{IL}	LOW-Level Input Voltage	Logic Input (Note 1)	GND- 0.3	--	0.3x V _{DD}	V
		Logic Input with Schmitt Trigger	GND- 0.3	--	0.2x V _{DD}	V
		Low-Level Logic Input (Note 1)	GND- 0.3	--	0.5	V
V _{OH}	HIGH-Level Output Voltage	Push-Pull, 1x Drive, V _{DD} = 2.5 V ± 8 %, I _{OH} = 1 mA	2.15	--	--	V
		Push-Pull, 1x Drive, V _{DD} = 3.3 V ± 10 %, I _{OH} = 3 mA	2.70	--	--	V
		Push-Pull, 1x Drive, V _{DD} = 5 V ± 10 %, I _{OH} = 5 mA	4.16	--	--	V
		Push-Pull, 2x Drive, V _{DD} = 2.5 V ± 8 %, I _{OH} = 1 mA	2.22	--	--	V
		Push-Pull, 2x Drive, V _{DD} = 3.3 V ± 10 %, I _{OH} = 3 mA	2.85	--	--	V
		Push-Pull, 2x Drive, V _{DD} = 5 V ± 10 %, I _{OH} = 5 mA	4.32	--	--	V
		Push-Pull, 4x Drive (only for GPO0 and GPIO4), V _{DD} = 2.5 V ± 8 %, I _{OH} = 1 mA	2.26	--	--	V
		Push-Pull, 4x Drive (only for GPO0 and GPIO4), V _{DD} = 3.3 V ± 10 %, I _{OH} = 3mA	2.92	--	--	V
		Push-Pull, 4x Drive (only for GPO0 and GPIO4), V _{DD} = 5 V ± 10 %, I _{OH} = 5 mA	4.40	--	--	V
V _{OL}	LOW-Level Output Voltage	Push-Pull, 1x Drive, V _{DD} = 2.5 V ± 8 %, I _{OL} = 1 mA	--	--	0.103	V
		Push-Pull, 1x Drive, V _{DD} = 3.3 V ± 10 %, I _{OL} = 3 mA	--	--	0.218	V
		Push-Pull, 1x Drive, V _{DD} = 5 V ± 10 %, I _{OL} = 5 mA	--	--	0.270	V
		Push-Pull, 2x Drive, V _{DD} = 2.5 V ± 8 %, I _{OL} = 1 mA	--	--	0.054	V
		Push-Pull, 2x Drive, V _{DD} = 3.3 V ± 10 %, I _{OL} = 3 mA	--	--	0.107	V

GreenPAK Programmable Mixed-Signal Matrix

Table 6: EC at T = -40 °C to +85 °C, V_{DD} = 2.3 V to 5.5 V Unless Otherwise Noted (Continued)

Parameter	Description	Condition	Min	Typ	Max	Unit
V _{OL}	LOW-Level Output Voltage	Push-Pull, 2x Drive, V _{DD} = 5 V ± 10 %, I _{OL} = 5 mA	--	--	0.133	V
		Push-Pull, 4x Drive (only for GPO0 and GPIO4), V _{DD} = 2.5 V ± 8 %, I _{OL} = 1 mA	--	--	0.026	V
		Push-Pull, 4x Drive (only for GPO0 and GPIO4), V _{DD} = 3.3 V ± 10 %, I _{OL} = 3 mA	--	--	0.054	V
		Push-Pull, 4x Drive (only for GPO0 and GPIO4), V _{DD} = 5 V ± 10 %, I _{OL} = 5 mA	--	--	0.067	V
		NMOS OD, 1x Drive, V _{DD} = 2.5 V ± 8 %, I _{OL} = 1 mA	--	--	0.043	V
		NMOS OD, 1x Drive, V _{DD} = 3.3 V ± 10 %, I _{OL} = 3 mA	--	--	0.087	V
		NMOS OD, 1x Drive, V _{DD} = 5 V ± 10 %, I _{OL} = 5 mA	--	--	0.107	V
		NMOS OD, 2x Drive, V _{DD} = 2.5 V ± 8 %, I _{OL} = 1 mA	--	--	0.023	V
		NMOS OD, 2x Drive, V _{DD} = 3.3 V ± 10 %, I _{OL} = 3 mA	--	--	0.046	V
		NMOS OD, 2x Drive, V _{DD} = 5 V ± 10 %, I _{OL} = 5 mA	--	--	0.058	V
		NMOS OD, 4x Drive (only for GPO0 and GPIO4), V _{DD} = 2.5 V ± 8 %, I _{OL} = 1 mA	--	--	0.011	V
		NMOS OD, 4x Drive (only for GPO0 and GPIO4), V _{DD} = 3.3 V ± 10 %, I _{OL} = 3 mA	--	--	0.023	V
		NMOS OD, 4x Drive (only for GPO0 and GPIO4), V _{DD} = 5 V ± 10 %, I _{OL} = 5 mA	--	--	0.031	V
		I _{OH}	HIGH-Level Output Pulse Current (Note 2)	Push-Pull, 1x Drive, V _{DD} = 2.5 V ± 8 %, V _{OH} = V _{DD} - 0.2	1.37	--
Push-Pull, 1x Drive, V _{DD} = 3.3 V ± 10 %, V _{OH} = 2.4 V	5.61			--	--	mA
Push-Pull, 1x Drive, V _{DD} = 5 V ± 10 %, V _{OH} = 2.4 V	20.42			--	--	mA
Push-Pull, 2x Drive, V _{DD} = 2.5 V ± 8 %, V _{OH} = V _{DD} - 0.2	2.95			--	--	mA
Push-Pull, 2x Drive, V _{DD} = 3.3 V ± 10 %, V _{OH} = 2.4 V	11.00			--	--	mA
Push-Pull, 2x Drive, V _{DD} = 5 V ± 10 %, V _{OH} = 2.4 V	39.14			--	--	mA
Push-Pull, 4x Drive (only for GPO0 and GPIO4), V _{DD} = 2.5 V ± 8 %, V _{OH} = V _{DD} - 0.2	5.83			--	--	mA
Push-Pull, 4x Drive (only for GPO0 and GPIO4), V _{DD} = 3.3 V ± 10 %, V _{OH} = 2.4 V	20.69			--	--	mA

GreenPAK Programmable Mixed-Signal Matrix

Table 6: EC at T = -40 °C to +85 °C, V_{DD} = 2.3 V to 5.5 V Unless Otherwise Noted (Continued)

Parameter	Description	Condition	Min	Typ	Max	Unit
I _{OH}	HIGH-Level Output Pulse Current (Note 2)	Push-Pull, 4x Drive (only for GPO0 and GPIO4), V _{DD} = 5 V ± 10 %, V _{OH} = 2.4 V	72.93	--	--	mA
I _{OL}	LOW-Level Output Pulse Current (Note 2)	Push-Pull, 1x Drive, V _{DD} = 2.5 V ± 8 %, V _{OL} = 0.15 V	1.52	--	--	mA
		Push-Pull, 1x Drive, V _{DD} = 3.3 V ± 10 %, V _{OL} = 0.4 V	5.42	--	--	mA
		Push-Pull, 1x Drive, V _{DD} = 5 V ± 10 %, V _{OL} = 0.4 V	7.36	--	--	mA
		Push-Pull, 2x Drive, V _{DD} = 2.5 V ± 8 %, V _{OL} = 0.15 V	3.27	--	--	mA
		Push-Pull, 2x Drive, V _{DD} = 3.3 V ± 10 %, V _{OL} = 0.4 V	10.74	--	--	mA
		Push-Pull, 2x Drive, V _{DD} = 5 V ± 10 %, V _{OL} = 0.4 V	14.41	--	--	mA
		Push-Pull, 4x Drive (only for GPO0 and GPIO4), V _{DD} = 2.5 V ± 8 %, V _{OL} = 0.15 V	6.66	--	--	mA
		Push-Pull, 4x Drive (only for GPO0 and GPIO4), V _{DD} = 3.3 V ± 10 %, V _{OL} = 0.4 V	21.23	--	--	mA
		Push-Pull, 4x Drive (only for GPO0 and GPIO4), V _{DD} = 5 V ± 10 %, V _{OL} = 0.4 V	28.56	--	--	mA
		NMOS OD, 1x Drive, V _{DD} = 2.5 V ± 8 %, V _{OL} = 0.15 V	4.11	--	--	mA
		NMOS OD, 1x Drive, V _{DD} = 3.3 V ± 10 %, V _{OL} = 0.4 V	13.35	--	--	mA
		NMOS OD, 1x Drive, V _{DD} = 5 V ± 10 %, V _{OL} = 0.4 V	17.90	--	--	mA
		NMOS OD, 2x Drive, V _{DD} = 2.5 V ± 8 %, V _{OL} = 0.15 V	8.02	--	--	mA
		NMOS OD, 2x Drive, V _{DD} = 3.3 V ± 10 %, V _{OL} = 0.4 V	25.23	--	--	mA
		NMOS OD, 2x Drive, V _{DD} = 5 V ± 10 %, V _{OL} = 0.4 V	33.18	--	--	mA
		NMOS OD, 4x Drive (only for GPO0 and GPIO4), V _{DD} = 2.5 V ± 8 %, V _{OL} = 0.15 V	15.65	--	--	mA
		NMOS OD, 4x Drive (only for GPO0 and GPIO4), V _{DD} = 3.3 V ± 10 %, V _{OL} = 0.4 V	48.93	--	--	mA
		NMOS OD, 4x Drive (only for GPO0 and GPIO4), V _{DD} = 5 V ± 10 %, V _{OL} = 0.4 V	63.93	--	--	mA
		T _{SU}	Startup Time	From V _{DD} rising past PON _{THR}	--	1
PON _{THR}	Power-On Threshold	V _{DD} Level Required to Start Up the Chip	1.6	1.85	2.05	V
POFF _{THR}	Power-Off Threshold	V _{DD} Level Required to Switch Off the Chip	0.85	1.25	1.5	V

GreenPAK Programmable Mixed-Signal Matrix

Table 6: EC at T = -40 °C to +85 °C, V_{DD} = 2.3 V to 5.5 V Unless Otherwise Noted (Continued)

Parameter	Description	Condition	Min	Typ	Max	Unit
R _{PULL}	Pull-up or Pull-down Resistance	1 M for Pull-up: V _{IN} = GND; for Pull-down: V _{IN} = V _{DD}	0.89	1.08	1.30	MΩ
		100 k for Pull-up: V _{IN} = GND; for Pull-down: V _{IN} = V _{DD}	92	109	131	kΩ
		10 k For Pull-up: V _{IN} = GND; for Pull-down: V _{IN} = V _{DD}	7	10	13	kΩ
C _{IN}	Input Capacitance		4		pF	

Note 1 No hysteresis.

Note 2 DC or average current through any pin should not exceed value given in Absolute Maximum Conditions.

Table 7: EC of the I²C Pins at T = -40 °C to +85 °C, V_{DD} = 2.3 V to 5.5 V Unless Otherwise Noted

Parameter	Description	Condition	Fast-Mode		Fast-Mode Plus		Unit
			Min	Max	Min	Max	
V _{IL}	LOW-level Input Voltage		-0.5	0.3xV _{DD}	-0.5	0.3xV _{DD}	V
V _{IH}	HIGH-level Input Voltage		0.7xV _{DD}	5.5	0.7xV _{DD}	5.5	V
V _{HYS}	Hysteresis of Schmitt Trigger Inputs		0.05xV _{DD}	--	0.05xV _{DD}	--	V
V _{OL1}	LOW-Level Output Voltage 1	(Open-Drain or open collector) at 3mA sink current V _{DD} > 2 V	0	0.4	0	0.4	V
V _{OL2}	LOW-Level Output Voltage 2	(Open-Drain or open collector) at 2 mA sink current V _{DD} ≤ 2 V	0	0.2xV _{DD}	0	0.2xV _{DD}	V
I _{OL}	LOW-Level Output Current (Note 1)	V _{OL} = 0.4 V, V _{DD} = 2.3 V	3	--	19.5	--	mA
		V _{OL} = 0.4 V, V _{DD} = 3.0 V	3	--	20	--	mA
		V _{OL} = 0.4 V, V _{DD} = 4.5 V	3	--	20	--	mA
		V _{OL} = 0.6 V	6	--	--	--	mA
t _{of}	Output Fall Time from V _{IHmin} to V _{ILmax} (Note 1)		14x (V _{DD} /5.5V)	250	10x (V _{DD} /5.5V)	120	ns
t _{SP}	Pulse Width of Spikes that must be suppressed by the Input Filter		0	50	0	50	ns
I _i	Input Current each IO Pin	0.1xV _{DD} < V _I < 0.9xV _{DDmax}	-10	+10	-10	+10	μA
C _i	Capacitance for each IO Pin		--	10	--	10	pF

Note 1 Does not meet standard I²C specifications: t_{of} = 20x(V_{DD}/5.5V) (min); For Fast-mode Plus I_{OL} = 20 mA (min) at V_{OL} = 0.4 V.

Note 2 For Fast-mode Plus SDA pin must be configured as NMOS 2x Open-Drain, see register [789] in section 17.

GreenPAK Programmable Mixed-Signal Matrix

Table 8: I²C Pins Timing Characteristics T = -40 °C to +85 °C, V_{DD} = 2.3 V to 5.5 V Unless Otherwise Noted

Parameter	Description	Condition	Fast-Mode		Fast-Mode Plus		Unit
			Min	Max	Min	Max	
F _{SCL}	Clock Frequency, SCL		--	400	--	1000	kHz
t _{LOW}	Clock Pulse Width Low		1300	--	500	--	ns
t _{HIGH}	Clock Pulse Width High		600	--	260	--	ns
t _i	Input Filter Spike Suppression (SCL, SDA)	V _{DD} = 2.5 V ± 8 %	--	95	--	168	ns
		V _{DD} = 3.3 V ± 10 %	--	95	--	157	
		V _{DD} = 5.0 V ± 10 %	--	111	--	156	
t _{AA}	Clock Low to Data Out Valid		--	900	--	450	ns
t _{BUF}	Bus Free Time between Stop and Start		1300	--	500	--	ns
t _{HD_STA}	Start Hold Time		600	--	260	--	ns
t _{SU_STA}	Start Set-up Time		600	--	260	--	ns
t _{HD_DAT}	Data Hold Time		0	--	0	--	ns
t _{SU_DAT}	Data Set-up Time		100	--	50	--	ns
t _R	Inputs Rise Time		--	300	--	120	ns
t _F	Inputs Fall Time		--	300	--	120	ns
t _{SU_STO}	Stop Set-up Time		600	--	260	--	ns
t _{DH}	Data Out Hold Time		50	--	50	--	ns

Note 1 Timing diagram can be found in the [Figure 98](#).

Table 9: Typical Current Estimated for Each Macrocell at T = -40 °C to +85 °C

Parameter	Description	Note	V _{DD} = 2.5 V	V _{DD} = 3.3 V	V _{DD} = 5.0 V	Unit
I _{DD}	Current	PDET+I ² C	0.09	0.12	0.18	μA
		PDET+BG+I ² C	0.28	0.42	0.52	μA
		Vref0 (Source: Any ACMPxH)	11.73	11.18	11.11	μA
		Vref0 (Source: None or TempSensor)	12.01	12.23	12.83	μA
		Vref1 (Source: Any ACMPxL)	5.83	5.37	4.80	μA
		Vref1 (Source: None)	6.20	6.25	6.73	μA
		Temperature Sensor Output Range 1	14.49	14.52	14.81	μA
		Temperature Sensor Output Range 2	14.35	14.38	14.68	μA
		OSC2 25 MHz, Pre-divider = 1	50.23	62.39	90.30	μA
		OSC2 25 MHz, Pre-divider = 4	33.20	39.60	55.12	μA
		OSC2 25 MHz, Pre-divider = 8	30.08	35.44	48.66	μA
		OSC1 2.048 MHz, Pre-divider = 1	20.70	22.03	24.93	μA
		OSC1 2.048 MHz, Pre-divider = 4	18.62	19.24	20.58	μA
		OSC1 2.048 MHz, Pre-divider = 8	18.52	19.03	20.12	μA
		OSC0 2.048 kHz, Pre-divider = 1	0.27	0.28	0.311	μA
OSC0 2.048 kHz, Pre-divider = 4	0.27	0.28	0.306	μA		

GreenPAK Programmable Mixed-Signal Matrix

Table 9: Typical Current Estimated for Each Macrocell at T = -40 °C to +85 °C(Continued)

Parameter	Description	Note	V _{DD} = 2.5 V	V _{DD} = 3.3 V	V _{DD} = 5.0 V	Unit
I _{DD}	Current	OSC0 2.048 kHz, Pre-divider = 8	0.27	0.28	0.305	μA
		Any ACMPxL (Vref Source – External V _{IN+} = V _{IN-} = 0 V)	0.46	0.46	0.47	μA
		Any ACMPxL (Vref Source – Internal V _{IN+} = 0 V V _{IN-} = 32 mV)	1.3	1.3	1.32	μA
		ACMP2L, ACMP3L (Vref Source – External V _{IN+} = V _{IN-} = 0 V)	0.79	0.79	0.82	μA
		ACMP2L, ACMP3L (Vref Source – Internal V _{IN+} = 0 V V _{IN-} = 32 mV)	1.56	1.56	1.59	μA
		ACMP0H (100 μA – Enable Vref Source - External V _{IN+} = V _{IN-} = 0 V Buffer - Disable)	133.6	136.9	147.6	μA
		ACMP0H (100 μA – Enable Vref Source – External V _{IN+} = V _{IN-} = 0 V Buffer - Enable)	139.4	142.8	153.7	μA
		ACMP0H (100 μA – Enable Vref Source – Internal V _{IN+} = 1M Pull-up V _{IN-} = 32 mV) Buffer - Disable)	45.8	46.3	48.2	μA
		ACMP0H (100 μA – Disable V _{IN+} = V _{DD} V _{IN-} = 32 mV)	35.3	35.9	37.8	μA
		Any ACMPxH (Buffer – Disable 100 μA – Disable)	21.5	21.9	23	μA
		Any ACMPxH (Buffer – Enable 100 μA – Disable)	25	25.4	27.2	μA
		ACMP0H, ACMP1H (100 μA – Enable Vref Source - External V _{IN+} = V _{IN-} = 0 V Buffer - Disable)	146.76	150.1	175.1	μA
		ACMP0H, ACMP1H (100 μA – Enable Vref Source – External V _{IN+} = V _{IN-} = 0 V Buffer - Enable)	160.3	166.5	186.8	μA

GreenPAK Programmable Mixed-Signal Matrix

Table 9: Typical Current Estimated for Each Macrocell at T = -40 °C to +85 °C(Continued)

Parameter	Description	Note	V _{DD} = 2.5 V	V _{DD} = 3.3 V	V _{DD} = 5.0 V	Unit
I _{DD}	Current	ACMP0H, ACMP1H (100 μA – Enable Vref Source – Internal V _{IN+} = 1M Pull-up V _{IN-} = 32 mV) Buffer - Disable)	63.2	66.4	70.1	μA
		ACMP0H, ACMP1H (Buffer – Disable 100 μA – Disable)	38.8	39.8	42.3	μA
		ACMP0H, ACMP1H (Buffer – Enable 100 μA – Disable)	50	51	54.2	μA
		All ACMP (100 μA – Enable Vref Source - External V _{IN+} = V _{IN-} = 0 V Buffer - Disable)	147.2	150.6	176.3	μA
		All ACMP (100 μA – Enable Vref Source – Internal V _{IN+} = 1M Pull-up V _{IN-} = 32 mV) Buffer - Disable)	65.2	66.4	70.1	μA
		All ACMP (Buffer – Disable 100 μA – Disable)	39.5	40.5	43.4	μA

3.5 TIMING CHARACTERISTICS

Table 10: Typical Delay Estimated for Each Macrocell at T = 25 °C

Parameter	Description	Note	V _{DD} = 2.5 V		V _{DD} = 3.3 V		V _{DD} = 5 V		Unit
			Rising	Falling	Rising	Falling	Rising	Falling	
tpd	Delay	Digital Input to PP 1x	27	29	19	21	14	16	ns
tpd	Delay	Digital Input to PP 2x	24	26	17	19	13	14	ns
tpd	Delay	Digital Input with Schmitt Trigger to PP 1x	27	29	19	21	14	16	ns
tpd	Delay	Low Voltage Digital Input to PP 1x	38	241	26	164	18	104	ns
tpd	Delay	Digital input to NMOS 1x	--	25	--	19	--	14	ns
tpd	Delay	Digital input to NMOS 2x	--	24	--	18	--	13	ns
tpd	Delay	Digital input to NMOS 4x	--	24	--	17	--	13	ns
tpd	Delay	Output enable from Pin, OE Hi-Z to 1	26	--	19	--	14	--	ns
tpd	Delay	Output enable from Pin, OE Hi-Z to 0	--	25	--	18	--	13	ns
tpd	Delay	PP 1x 3 State Hi-Z to 1	26	--	19	--	14	--	ns
tpd	Delay	PP 1x 3 State Hi-Z to 0	--	25	--	18	--	13	ns
tpd	Delay	PP 2x 3 State Hi-Z to 1	23	--	17	--	12	--	ns
tpd	Delay	PP 2x 3 State Hi-Z to 0	--	22	--	16	--	12	ns
tpd	Delay	LATCH Q	16	18	11	13	8	9	ns

GreenPAK Programmable Mixed-Signal Matrix

Table 10: Typical Delay Estimated for Each Macrocell at T = 25 °C (Continued)

Parameter	Description	Note	V _{DD} = 2.5 V		V _{DD} = 3.3 V		V _{DD} = 5 V		Unit
			Rising	Falling	Rising	Falling	Rising	Falling	
tpd	Delay	LATCH nQ	19	15	14	11	9	7	ns
tpd	Delay	LATCH nRESET High Q	25	21	17	15	12	10	ns
tpd	Delay	LATCH nRESET High nQ	22	24	16	17	11	12	ns
tpd	Delay	LATCH nRESET Low Q	22	23	15	16	11	12	ns
tpd	Delay	LATCH nRESET Low nQ	24	21	17	15	12	10	ns
tpd	Delay	LATCH nSET High Q	19	21	14	15	9	10	ns
tpd	Delay	LATCH nSET High nQ	22	19	16	13	11	9	ns
tpd	Delay	LATCH nSET Low Q	22	18	16	13	11	9	ns
tpd	Delay	LATCH nSET Low nQ	19	21	14	15	9	10	ns
tpd	Delay	Multi-Function LATCH Q	19	22	14	16	9	11	ns
tpd	Delay	Multi-Function LATCH nQ	22	19	16	13	11	9	ns
tpd	Delay	Multi-Function LATCH nRESET Q	23	27	16	19	11	14	ns
tpd	Delay	Multi-Function LATCH nRESET nQ	27	23	20	17	14	11	ns
tpd	Delay	Multi-Function LATCH nSET Q	25	21	18	15	13	10	ns
tpd	Delay	Multi-Function LATCH nSET nQ	21	25	15	18	10	13	ns
tpd	Delay	LATCH3, LATCH12 First Q	17	19	12	14	8	9	ns
tpd	Delay	LATCH3, LATCH12 First nQ	20	17	14	12	10	8	ns
tpd	Delay	LATCH3, LATCH12 First nRESET High Q	26	23	18	16	13	11	ns
tpd	Delay	LATCH3, LATCH12 First nRESET High nQ	24	26	17	18	12	13	ns
tpd	Delay	LATCH3, LATCH12 First nRESET Low Q	23	25	16	18	11	12	ns
tpd	Delay	LATCH3, LATCH12 First nRESET Low nQ	26	23	18	16	13	11	ns
tpd	Delay	LATCH3, LATCH12 First nSET High Q	21	22	15	16	10	11	ns
tpd	Delay	LATCH3, LATCH12 First nSET High nQ	23	20	17	14	12	10	ns
tpd	Delay	LATCH3, LATCH12 First nSET Low Q	23	20	16	14	11	10	ns
tpd	Delay	LATCH3, LATCH12 First nSET Low nQ	21	23	15	16	10	11	ns
tpd	Delay	LATCH3, LATCH12 Second Q	19	19	13	13	9	9	ns
tpd	Delay	LATCH3, LATCH12 Second nQ	20	18	14	13	10	9	ns
tpd	Delay	LATCH3, LATCH12 Second nRESET High Q	--	22	--	16	--	11	ns
tpd	Delay	LATCH3, LATCH12 Second nRESET High nQ	23	--	17	--	12	--	ns
tpd	Delay	LATCH3, LATCH12 Second nRESET Low Q	--	25	--	18	--	12	ns
tpd	Delay	LATCH3, LATCH12 Second nRESET Low nQ	26	--	18	--	13	--	ns
tpd	Delay	LATCH3, LATCH12 Second nSET High Q	20	--	14	--	10	--	ns
tpd	Delay	LATCH3, LATCH12 Second nSET High nQ	--	20	--	14	--	10	ns
tpd	Delay	LATCH3, LATCH12 Second nSET Low Q	23	--	16	--	11	--	ns
tpd	Delay	LATCH3, LATCH12 Second nSET Low nQ	--	22	--	16	--	11	ns

GreenPAK Programmable Mixed-Signal Matrix

Table 10: Typical Delay Estimated for Each Macrocell at T = 25 °C (Continued)

Parameter	Description	Note	V _{DD} = 2.5 V		V _{DD} = 3.3 V		V _{DD} = 5 V		Unit
			Rising	Falling	Rising	Falling	Rising	Falling	
tpd	Delay	2-bit LUT	15	16	11	11	7	8	ns
tpd	Delay	3-bit LUT	16	17	11	12	8	8	ns
tpd	Delay	4-bit LUT	19	17	13	12	9	9	ns
tpd	Delay	Multi-Function 3-bit LUT	18	21	13	15	9	11	ns
tpd	Delay	Multi-Function 3-bit LUT, CNT Delay	46	47	33	34	23	24	ns
tpd	Delay	Multi-Function 4-bit LUT	21	23	15	17	10	12	ns
tpd	Delay	Multi-Function 4-bit LUT, CNT Delay	48	46	34	34	23	24	ns
tpd	Delay	Edge detect	19	20	13	14	9	9	ns
tw	Width	Edge detect	211	212	156	157	115	115	ns
tpd	Delay	Edge detect Delayed	231	235	170	173	124	126	ns
tpd	Delay	Ripple CNT CLK DOWN Q0	18	16	13	11	9	8	ns
tpd	Delay	Ripple CNT CLK DOWN Q1	29	22	20	16	14	11	ns
tpd	Delay	Ripple CNT CLK DOWN Q2	27	29	20	21	14	14	ns
tpd	Delay	Ripple CNT CLK UP Q0	18	16	13	11	9	8	ns
tpd	Delay	Ripple CNT CLK UP Q1	24	24	17	17	12	12	ns
tpd	Delay	Ripple CNT CLK UP Q2	29	23	21	17	15	12	ns
tpd	Delay	Ripple CNT nSET DOWN Q0	26	33	19	23	14	16	ns
tpd	Delay	Ripple CNT nSET DOWN Q1	26	41	19	29	13	21	ns
tpd	Delay	Ripple CNT nSET DOWN Q2	25	41	18	29	13	20	ns
tpd	Delay	Ripple CNT nSET UP Q0	26	33	19	23	14	16	ns
tpd	Delay	Ripple CNT nSET UP Q1	26	38	19	27	13	19	ns
tpd	Delay	Ripple CNT nSET UP Q2	25	44	18	32	13	22	ns
tpd	Delay	DFF Q	17	17	12	12	8	8	ns
tpd	Delay	DFF nQ	18	16	13	11	9	8	ns
tpd	Delay	DFF nRESET High Q	--	20	--	14	--	10	ns
tpd	Delay	DFF nRESET High nQ	21	--	15	--	10	--	ns
tpd	Delay	DFF nRESET Low Q	--	22	--	16	--	11	ns
tpd	Delay	DFF nRESET Low nQ	23	--	17	--	12	--	ns
tpd	Delay	DFF nSET High Q	21	--	15	--	10	--	ns
tpd	Delay	DFF nSET High nQ	--	20	--	14	--	10	ns
tpd	Delay	DFF nSET Low Q	23	--	16	--	12	--	ns
tpd	Delay	DFF nSET Low nQ	--	22	--	16	--	11	ns
tpd	Delay	Multi-Function DFF Q	19	19	13	13	9	9	ns
tpd	Delay	Multi-Function DFF nQ	20	19	14	13	9	9	ns
tpd	Delay	Multi-Function DFF nRESET Q	--	26	--	19	--	13	ns
tpd	Delay	Multi-Function DFF nRESET nQ	26	--	19	--	13	--	ns
tpd	Delay	Multi-Function DFF nSET Q	26	--	19	--	13	--	ns
tpd	Delay	Multi-Function DFF nSET nQ	--	26	--	19	--	14	ns
tpd	Delay	DFF3, DFF12 First Q	18	18	13	13	9	9	ns

GreenPAK Programmable Mixed-Signal Matrix

Table 10: Typical Delay Estimated for Each Macrocell at T = 25 °C (Continued)

Parameter	Description	Note	V _{DD} = 2.5 V		V _{DD} = 3.3 V		V _{DD} = 5 V		Unit
			Rising	Falling	Rising	Falling	Rising	Falling	
tpd	Delay	DFF3, DFF12 First nQ	19	18	14	13	9	9	ns
tpd	Delay	DFF3, DFF12 First nRESET High Q	--	22	--	15	--	11	ns
tpd	Delay	DFF3, DFF12 First nRESET High nQ	22	--	16	--	11	--	ns
tpd	Delay	DFF3, DFF12 First nRESET Low Q	--	24	--	17	--	12	ns
tpd	Delay	DFF3, DFF12 First nRESET Low nQ	25	--	18	--	12	--	ns
tpd	Delay	DFF3, DFF12 First nSET High Q	22	--	16	--	11	--	ns
tpd	Delay	DFF3, DFF12 First nSET High nQ	--	22	--	15	--	11	ns
tpd	Delay	DFF3, DFF12 First nSET Low Q	24	--	17	--	12	--	ns
tpd	Delay	DFF3, DFF12 First nSET Low nQ	--	24	--	17	--	12	ns
tpd	Delay	DFF3, DFF12 Second Q	20	21	14	15	10	10	ns
tpd	Delay	DFF3, DFF12 Second nQ	21	20	15	14	11	10	ns
tpd	Delay	DFF3, DFF12 Second nRESET High Q	--	21	--	15	--	10	ns
tpd	Delay	DFF3, DFF12 Second nRESET High nQ	22	--	16	--	11	--	ns
tpd	Delay	DFF3, DFF12 Second nRESET Low Q	--	23	--	17	--	12	ns
tpd	Delay	DFF3, DFF12 Second nRESET Low nQ	24	--	17	--	12	--	ns
tpd	Delay	DFF3, DFF12 Second nSET High Q	22	--	15	--	11	--	ns
tpd	Delay	DFF3, DFF12 Second nSET High nQ	--	21	--	15	--	10	ns
tpd	Delay	DFF3, DFF12 Second nSET Low Q	24	--	17	--	12	--	ns
tpd	Delay	DFF3, DFF12 Second nSET Low nQ	--	23	--	17	--	12	ns
tpd	Delay	PGen CLK	16	16	12	11	8	8	ns
tpd	Delay	PGen nRESET Hi-Z to 0	--	21	--	15	--	11	ns
tpd	Delay	PGen nRESET Hi-Z to 1	20	--	14	--	10	--	ns
tpd	Delay	Pipe Delay Out	23	20	16	15	11	10	ns
tpd	Delay	Pipe Delay nRESET Out	30	28	22	21	16	15	ns
tpd	Delay	Filter Q	160	140	109	98	68	65	ns
tpd	Delay	Filter nQ	141	159	99	108	66	68	ns

Table 11: Programmable Delay Expected Typical Delays and Widths at T = 25 °C

Parameter	Description	Note	V _{DD} = 2.5 V	V _{DD} = 3.3 V	V _{DD} = 5.0 V	Unit
tw	Pulse Width, 1 cell	mode: (any)edge detect, edge detect output	214	159	116	ns
tw	Pulse Width, 2 cell	mode: (any)edge detect, edge detect output	425	314	230	ns
tw	Pulse Width, 3 cell	mode: (any)edge detect, edge detect output	635	469	343	ns
tw	Pulse Width, 4 cell	mode: (any)edge detect, edge detect output	846	624	457	ns
time1	Delay, 1 cell	mode: (any)edge detect, edge detect output	18	13	9	ns
time1	Delay, 2 cell	mode: (any)edge detect, edge detect output	18	13	9	ns
time1	Delay, 3 cell	mode: (any)edge detect, edge detect output	18	13	9	ns
time1	Delay, 4 cell	mode: (any)edge detect, edge detect output	18	13	9	ns

GreenPAK Programmable Mixed-Signal Matrix

Table 11: Programmable Delay Expected Typical Delays and Widths at T = 25 °C (Continued)

Parameter	Description	Note	V _{DD} = 2.5 V	V _{DD} = 3.3 V	V _{DD} = 5.0 V	Unit
time2	Delay, 1 cell	mode: both edge delay, edge detect output	235	173	126	ns
time2	Delay, 2 cell	mode: both edge delay, edge detect output	446	328	239	ns
time2	Delay, 3 cell	mode: both edge delay, edge detect output	656	484	353	ns
time2	Delay, 4 cell	mode: both edge delay, edge detect output	866	639	466	ns

Table 12: Typical Filter Rejection Pulse Width at T = 25 °C

Parameter	V _{DD} = 2.5 V	V _{DD} = 3.3 V	V _{DD} = 5.0 V	Unit
Filtered Pulse Width	< 150	< 55	< 35	ns

3.6 COUNTER/DELAY CHARACTERISTICS

Table 13: Typical Counter/Delay Offset at T = 25 °C

Parameter	OSC Freq	OSC Power	V _{DD} = 2.5 V	V _{DD} = 3.3 V	V _{DD} = 5.0 V	Unit
Power-On time	25 MHz	auto	0.14	0.14	0.14	μs
Power-On time	2.048 MHz	auto	0.5	0.5	0.4	μs
Power-On time	2.048 kHz	auto	628	544	466	μs
frequency settling time	25 MHz	auto	4	4	8	μs
frequency settling time	2.048 MHz	auto	0.3	0.4	0.4	μs
frequency settling time	2.048 kHz	auto	660	570	480	μs
variable (CLK period)	25 MHz	forced	0-40	0-40	0-40	ns
variable (CLK period)	2.048 MHz	forced	0-0.5	0-0.5	0-0.5	μs
variable (CLK period)	2.048 kHz	forced	0-488	0-488	0-488	μs
tpd (non-delayed edge)	25 MHz/ 2.048 kHz	either	35	14	10	ns

3.7 OSCILLATOR CHARACTERISTICS

Table 14: Oscillators Frequency Limits, V_{DD} = 2.3 V to 5.5 V

OSC	Temperature Range					
	+25 °C			-40 °C to +85 °C		
	Minimum Value, kHz	Maximum Value, kHz	Error, %	Minimum Value, kHz	Maximum Value, kHz	Error, %
2.048 kHz OSC0	2.027	2.07	-1.04	1.894	2.093	-7.51
			+1.08			+2.19
2.048 MHz OSC1	2020.63	2073.54	-1.34	1995.83	2080.19	-2.55
			+1.25			+1.58
25 MHz OSC2	24506.37	25450.69	-1.98	23843.44	25681.02	-4.63
			+1.8			+2.72

GreenPAK Programmable Mixed-Signal Matrix

3.7.1 OSC Power-On Delay

Table 15: Oscillators Power-On Delay at T = 25 °C, OSC Power Setting: "Auto Power-On"

Power Supply Range (V _{DD}), V	OSC0 2.048 kHz		OSC1 2.048 MHz		OSC2 25 MHz		OSC2 25 MHz Start with Delay	
	Typical Value, μ s	Maximum Value, μ s	Typical Value, ns	Maximum Value, ns	Typical Value, ns	Maximum Value, ns	Typical Value, ns	Maximum Value, ns
2.30	663.11	851.42	537.19	555.00	45.28	54.00	141.33	151.00
2.50	628.07	797.96	515.76	532.00	40.61	48.00	139.45	148.00
2.70	600.38	755.49	500.24	517.00	36.54	43.00	138.10	146.00
3.00	568.24	706.08	483.11	500.00	32.59	38.00	137.33	145.00
3.30	543.57	667.84	470.94	487.00	29.09	34.00	136.40	144.00
3.60	524.11	638.41	460.38	477.00	27.04	32.00	136.45	143.00
4.00	503.62	607.04	448.54	466.00	24.69	29.00	136.21	143.00
4.20	495.07	594.20	443.45	460.00	23.51	28.00	136.17	143.00
4.50	483.54	576.70	436.89	454.00	22.32	26.00	136.06	142.00
5.00	465.55	550.57	427.49	444.00	21.06	25.00	136.41	143.00
5.50	444.62	521.73	420.13	438.00	20.01	23.00	136.50	144.00

3.8 ACMP CHARACTERISTICS

Table 16: ACMP Specifications at T = -40 °C to +85 °C, V_{DD} = 2.3 V to 5.5 V Unless Otherwise Noted

Parameter	Description	Note	Condition	Min	Typ	Max	Unit
V _{ACMP}	ACMP Input Voltage Range	Positive Input		0	--	V _{DD}	V
		Negative Input		0	--	V _{DD}	V
V _{offset}	ACMP Input Offset	ACMPxH V _{hys} = 0 mV, Gain = 1, V _{ref} = 32 mV to 2016 mV		-5.9	--	7.0	mV
		ACMPxL V _{hys} = 0 mV, Gain = 1, V _{ref} = 32 mV to 2016 mV		-7.0	--	7.0	mV
t _{start}	ACMP Startup Time	ACMP Power-On delay, Minimal required wake time for the "Wake and Sleep function", for ACMPxH	BG Forced On	--	--	50	μ s
		ACMP Power-On delay, Minimal required wake time for the "Wake and Sleep function", for ACMPxL		--	--	316	μ s

GreenPAK Programmable Mixed-Signal Matrix

Table 16: ACMP Specifications at T = -40 °C to +85 °C, V_{DD} = 2.3 V to 5.5 V Unless Otherwise Noted (Continued)

Parameter	Description	Note	Condition	Min	Typ	Max	Unit
V _{HYS}	ACMP0H, ACMP1H Built-in Hysteresis (Note 1)	V _{HYS} = 32 mV	T = 25 °C	21.56	--	34.64	mV
		V _{HYS} = 64 mV	T = 25 °C	52.47	--	67.39	mV
		V _{HYS} = 192 mV	T = 25 °C	181.6 0	--	195.22	mV
		V _{HYS} = 32 mV		20.61	--	37.19	mV
		V _{HYS} = 64 mV		52.48	--	67.83	mV
		V _{HYS} = 192 mV		178.5 9	--	196.98	mV
	ACMP2L, ACMP3L Built-in Hysteresis (Note 1)	V _{HYS} = 32 mV	T = 25 °C	23.97	--	37.31	mV
		V _{HYS} = 64 mV	T = 25 °C	55.54	--	69.68	mV
		V _{HYS} = 192 mV	T = 25 °C	183.8 9	--	198.08	mV
		V _{HYS} = 32 mV		23.20	--	37.31	mV
		V _{HYS} = 64 mV		55.45	--	70.50	mV
		V _{HYS} = 192 mV		183.1 5	--	198.08	mV
R _{sin}	Series Input Resistance	Gain = 1x		--	10	--	GΩ
		Gain = 0.5x		--	2	--	MΩ
		Gain = 0.33x		--	2	--	MΩ
		Gain = 0.25x		--	2	--	MΩ
PROP	Propagation Delay, Response Time for ACMP0H, ACMP1H	Gain = 1, V _{ref} = 32 mV to 2016 mV, Overdrive = 10 mV	Low to High	--	1.84	7.03	μs
			High to Low	--	1.66	4.37	μs
		Gain = 1, V _{ref} = 32 mV to 2016 mV, Overdrive = 100 mV	Low to High	--	0.71	2.27	μs
			High to Low	--	0.63	1.01	μs
		Gain = 1, T = 25 °C, V _{ref} = 32 mV, Overdrive = 10 mV	Low to High	--	1.54	--	μs
			High to Low	--	1.50	--	μs
		Gain = 0.5, T = 25 °C, V _{ref} = 32 mV, Overdrive = 10 mV	Low to High	--	3.83	--	μs
			High to Low	--	4.45	--	μs

GreenPAK Programmable Mixed-Signal Matrix

Table 16: ACMP Specifications at T = -40 °C to +85 °C, V_{DD} = 2.3 V to 5.5 V Unless Otherwise Noted (Continued)

Parameter	Description	Note	Condition	Min	Typ	Max	Unit	
PROP	Propagation Delay, Response Time for ACMP0H, ACMP1H	Gain = 0.33, T = 25 °C, Vref = 32 mV, Overdrive = 10 mV	Low to High	--	4.30	--	μs	
			High to Low	--	4.90	--	μs	
		Gain = 0.25, T = 25 °C, Vref = 32 mV, Overdrive = 10 mV	Low to High	--	4.64	--	μs	
			High to Low	--	4.82	--	μs	
		Gain = 1, T = 25 °C, Vref = 32 mV, Overdrive = 100 mV	Low to High	--	0.69	--	μs	
			High to Low	--	0.60	--	μs	
		Gain = 0.5, T = 25 °C, Vref = 32 mV, Overdrive = 100 mV	Low to High	--	1.36	--	μs	
			High to Low	--	1.51	--	μs	
		Gain = 0.33, T = 25 °C, Vref = 32 mV, Overdrive = 100 mV	Low to High	--	1.42	--	μs	
			High to Low	--	1.59	--	μs	
		Gain = 0.25, T = 25 °C, Vref = 32 mV, Overdrive = 100 mV	Low to High	--	1.41	--	μs	
			High to Low	--	1.38	--	μs	
		Propagation Delay, Response Time for ACMP2L, ACMP3L	Gain = 1, Vref = 32 mV to 2016 mV, Overdrive = 10 mV	Low to High	--	65.19	120.35	μs
				High to Low	--	67.83	125.59	μs
	Gain = 1, Vref = 32 mV to 2016 mV, Overdrive = 100 mV		Low to High	--	27.87	58.65	μs	
			High to Low	--	27.10	59.81	μs	
	Gain = 1, T = 25 °C, Vref = 32 mV, Overdrive = 10 mV		Low to High	--	64.71	--	μs	
			High to Low	--	66.56	--	μs	
	Gain = 0.5, T = 25 °C, Vref = 32 mV, Overdrive = 10 mV		Low to High	--	105.65	--	μs	
			High to Low	--	109.80	--	μs	
Gain = 0.33, T = 25 °C, Vref = 32 mV, Overdrive = 10 mV	Low to High		--	143.35	--	μs		
	High to Low		--	150.59	--	μs		
Gain = 0.25, T = 25 °C, Vref = 32 mV, Overdrive = 10 mV	Low to High		--	178.31	--	μs		
	High to Low		--	188.63	--	μs		
Gain = 1, T = 25 °C, Vref = 32 mV, Overdrive = 100 mV	Low to High		--	26.97	--	μs		
	High to Low		--	26.13	--	μs		
Gain = 0.5, T = 25 °C, Vref = 32 mV, Overdrive = 100 mV	Low to High		--	35.16	--	μs		
	High to Low		--	34.31	--	μs		
Gain = 0.33, T = 25 °C, Vref = 32 mV, Overdrive = 100 mV	Low to High	--	39.99	--	μs			
	High to Low	--	39.17	--	μs			

GreenPAK Programmable Mixed-Signal Matrix

Table 16: ACMP Specifications at T = -40 °C to +85 °C, V_{DD} = 2.3 V to 5.5 V Unless Otherwise Noted (Continued)

Parameter	Description	Note	Condition	Min	Typ	Max	Unit	
PROP	Propagation Delay, Response Time for ACMP2L, ACMP3L	Gain = 0.25, T = 25 °C, V _{ref} = 32 mV, Overdrive = 100 mV	Low to High	--	42.76	--	μs	
			High to Low	--	43.57	--	μs	
G	Gain error	G = 1		1	1	1		
				G = 0.5	0.496	0.5	0.504	
				G = 0.33	0.330	0.33	0.338	
				G = 0.25	0.247	0.25	0.254	
V _{ref0}	Internal V _{ref0} error, V _{ref0} = 32 mV to 2016 mV, Buffer Disabled	V _{DD} = 4.0 V	T = 25 °C	-2.06	--	2.06	%	
	V _{ref0} Output error, V _{ref0} = 224 mV to 2016 mV, Buffer Enabled		T = 25 °C, Loading = 1 μA	-6.40	--	5.42	%	
	V _{ref0} Output Capacitance Loading			Load Resistance = 1 MΩ	--	--	5	pF
				Load Resistance = 560 kΩ	--	--	10	pF
				Load Resistance = 100 kΩ	--	--	40	pF
				Load Resistance = 10 kΩ	--	--	80	pF
				Load Resistance = 2 kΩ	--	--	120	pF
Load Resistance = 1 kΩ, V _{ref} = 32 mV to 1024 mV	--	--	150	pF				
V _{ref1}	Internal V _{ref1} error, V _{ref1} = 32 mV to 2016 mV, Buffer Disabled	V _{DD} = 4.0 V	T = 25 °C	-5.29	--	5.29	%	
	V _{ref1} Output error, V _{ref1} = 224 mV to 2016 mV, Buffer Enabled		T = 25 °C, Loading = 1 μA	-7.01	--	5.86	%	
	V _{ref1} Output Capacitance Loading			Load Resistance = 1 MΩ	--	--	15	pF
				Load Resistance = 560 kΩ	--	--	27	pF
				Load Resistance = 100 kΩ	--	--	64	pF
				Load Resistance = 10 kΩ	--	--	120	pF
				Load Resistance = 2 kΩ	--	--	180	pF
Load Resistance = 1 kΩ, V _{ref} = 32 mV to 1024 mV	--	--	210	pF				
I _s	Input Current Source		V _{in} = V _{DD} - 0.7 V	94.4	103.7	111.7	μA	

Note 1 V_{IL} = V_{in} - V_{HYS}, V_{IH} = V_{in}.

GreenPAK Programmable Mixed-Signal Matrix

3.9 ANALOG TEMPERATURE SENSOR CHARACTERISTICS

Temperature Sensor typical nonlinearity $\pm 0.69\%$ for output range 1 and $\pm 0.85\%$ for output range 2 at $V_{DD} = 3.3\text{ V}$.

Table 17: TS Output vs Temperature (Output Range 1)

T, °C	$V_{DD} = 2.5\text{ V}$		$V_{DD} = 3.3\text{ V}$		$V_{DD} = 5.0\text{ V}$	
	Typical, mV	Accuracy, %	Typical, mV	Accuracy, %	Typical, mV	Accuracy, %
-40	998	± 0.67	997	± 0.67	997	± 0.70
-30	975	± 0.59	974	± 0.58	974	± 0.58
-20	952	± 0.54	952	± 0.52	951	± 0.52
-10	930	± 0.65	929	± 0.63	929	± 0.62
0	907	± 0.69	906	± 0.69	906	± 0.65
10	884	± 0.79	883	± 0.77	883	± 0.75
20	861	± 0.82	860	± 0.80	859	± 0.78
30	837	± 0.93	836	± 0.89	836	± 0.86
40	813	± 0.89	813	± 0.85	812	± 0.81
50	789	± 1.01	789	± 0.97	788	± 0.92
60	765	± 1.13	764	± 1.09	764	± 1.05
70	741	± 1.24	740	± 1.21	740	± 1.16
80	717	± 1.36	716	± 1.33	715	± 1.29
85	704	± 1.48	703	± 1.45	703	± 1.42

Table 18: TS Output vs Temperature (Output Range 2)

T, °C	$V_{DD} = 2.5\text{ V}$		$V_{DD} = 3.3\text{ V}$		$V_{DD} = 5.0\text{ V}$	
	Typical, mV	Accuracy, %	Typical, mV	Accuracy, %	Typical, mV	Accuracy, %
-40	1189	± 0.70	1188	± 0.69	1188	± 0.69
-30	1161	± 0.58	1161	± 0.57	1160	± 0.59
-20	1134	± 0.62	1133	± 0.62	1133	± 0.64
-10	1107	± 0.69	1106	± 0.68	1106	± 0.68
0	1079	± 0.72	1078	± 0.71	1078	± 0.71
10	1051	± 0.80	1051	± 0.79	1050	± 0.80
20	1023	± 0.87	1022	± 0.85	1022	± 0.86
30	995	± 0.97	994	± 0.96	994	± 0.95
40	966	± 0.91	965	± 0.88	965	± 0.86
50	937	± 1.00	936	± 1.01	936	± 0.99
60	908	± 1.14	907	± 1.12	907	± 1.10
70	879	± 1.24	878	± 1.22	878	± 1.20
80	849	± 1.40	848	± 1.38	848	± 1.37
85	835	± 1.50	834	± 1.48	833	± 1.45

GreenPAK Programmable Mixed-Signal Matrix

Table 19: TS Output Error (Output Range 1)

V _{DD} , V	Error at T							
	-40 °C, %	-20 °C, %	0 °C, %	20 °C, %	40 °C, %	60 °C, %	80 °C, %	85 °C, %
2.30	±0.67	±0.55	±0.69	±0.82	±0.90	±1.14	±1.37	±1.50
2.50	±0.67	±0.54	±0.69	±0.82	±0.89	±1.13	±1.36	±1.49
2.70	±0.68	±0.53	±0.68	±0.81	±0.88	±1.11	±1.35	±1.48
3.00	±0.67	±0.52	±0.67	±0.80	±0.86	±1.10	±1.34	±1.45
3.30	±0.67	±0.52	±0.67	±0.80	±0.85	±1.09	±1.33	±1.45
3.60	±0.68	±0.52	±0.66	±0.79	±0.84	±1.07	±1.32	±1.44
4.20	±0.68	±0.52	±0.66	±0.78	±0.83	±1.06	±1.30	±1.43
4.50	±0.69	±0.52	±0.65	±0.78	±0.82	±1.05	±1.30	±1.43
5.00	±0.70	±0.52	±0.65	±0.78	±0.81	±1.05	±1.30	±1.42
5.50	±0.71	±0.54	±0.66	±0.79	±0.81	±1.05	±1.29	±1.40

Table 20: TS Output Error (Output Range 2)

V _{DD} , V	Error at T							
	-40 °C, %	-20 °C, %	0 °C, %	20 °C, %	40 °C, %	60 °C, %	80 °C, %	85 °C, %
2.30	±0.67	±0.61	±0.73	±0.87	±0.92	±1.15	±1.41	±1.50
2.50	±0.67	±0.62	±0.72	±0.87	±0.91	±1.14	±1.40	±1.50
2.70	±0.67	±0.61	±0.72	±0.86	±0.90	±1.14	±1.40	±1.49
3.00	±0.67	±0.61	±0.71	±0.85	±0.89	±1.13	±1.39	±1.48
3.30	±0.67	±0.62	±0.71	±0.85	±0.88	±1.12	±1.39	±1.48
3.60	±0.67	±0.61	±0.71	±0.85	±0.88	±1.11	±1.38	±1.47
4.20	±0.67	±0.63	±0.71	±0.85	±0.87	±1.10	±1.37	±1.46
4.50	±0.68	±0.63	±0.71	±0.85	±0.87	±1.11	±1.37	±1.46
5.00	±0.69	±0.64	±0.71	±0.86	±0.86	±1.10	±1.37	±1.45
5.50	±0.71	±0.65	±0.72	±0.86	±0.87	±1.11	±1.35	±1.44

GreenPAK Programmable Mixed-Signal Matrix

4 User Programmability

The SLG46855 is a user programmable device with one time programmable (OTP) memory elements that are able to configure the connection matrix and macrocells. A programming development kit allows the user the ability to create initial devices. Once the design is finalized, the programming code (.gpx file) is forwarded to Dialog Semiconductor to integrate into a production process.

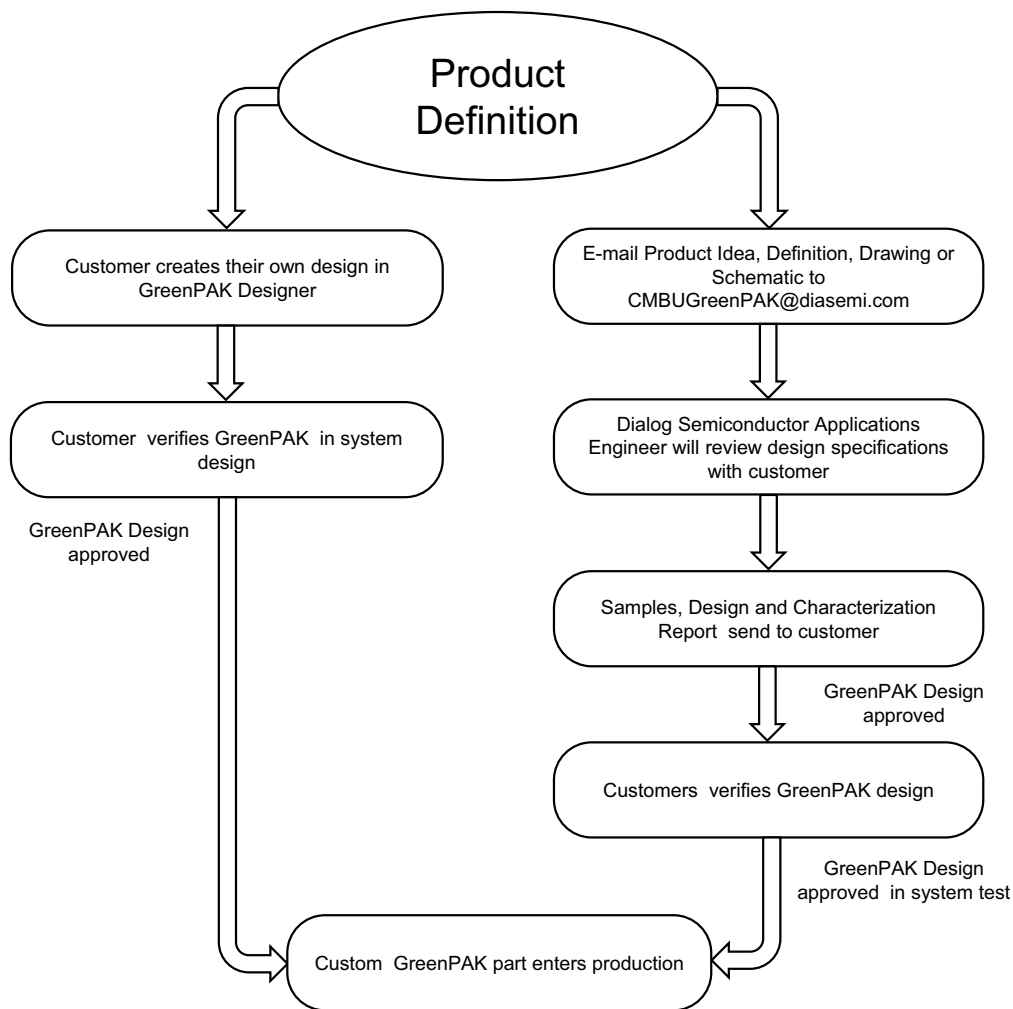


Figure 2: Steps to Create a Custom GreenPAK Device

GreenPAK Programmable Mixed-Signal Matrix

5 IO Pins

The SLG46855 has a total of 10 GPIO, 1 GPI, and 1 GPO Pins which can function as either a user defined Input or Output, as well as serving as a special function (such as outputting the voltage reference).

5.1 GPIO PINS

GPIO0, GPIO1, GPIO2, GPIO3,GPIO4, GPIO5, GPIO6, GPIO7, GPIO8 and GPIO9serve as General Purpose IO Pins.

5.2 GPI PINS

GPI0 serves as a General Purpose Input Pin.

5.3 GPO PINS

GPO0 serves as a General Purpose Output Pin.

5.4 PULL-UP/DOWN RESISTORS

All IO Pins have the option for user selectable resistors connected to the input structure. The selectable values on these resistors are 10 k Ω , 100 k Ω and 1 M Ω . The internal resistors can be configured as either Pull-up or Pull-downs.

5.5 FAST PULL-UP/DOWN DURING POWER-UP

During power-up, IO Pull-up/down resistance will switch to 2.6 k Ω initially and then it will switch to normal setting value. This function is enabled by register [778].

GreenPAK Programmable Mixed-Signal Matrix

5.6 GPI STRUCTURE

5.6.1 GPI Structure (for GPIO)

Input Mode [1:0]
 00: Digital In without Schmitt Trigger, wosmt_en = 1, OE=0
 01: Digital In with Schmitt Trigger, smt_en = 1, OE = 0
 10: Low Voltage Digital In mode, lv_en = 1, OE = 0
 11: Reserved

Note 1: OE cannot be selected by user
 Note 2: OE is Matrix output, Digital In is Matrix input

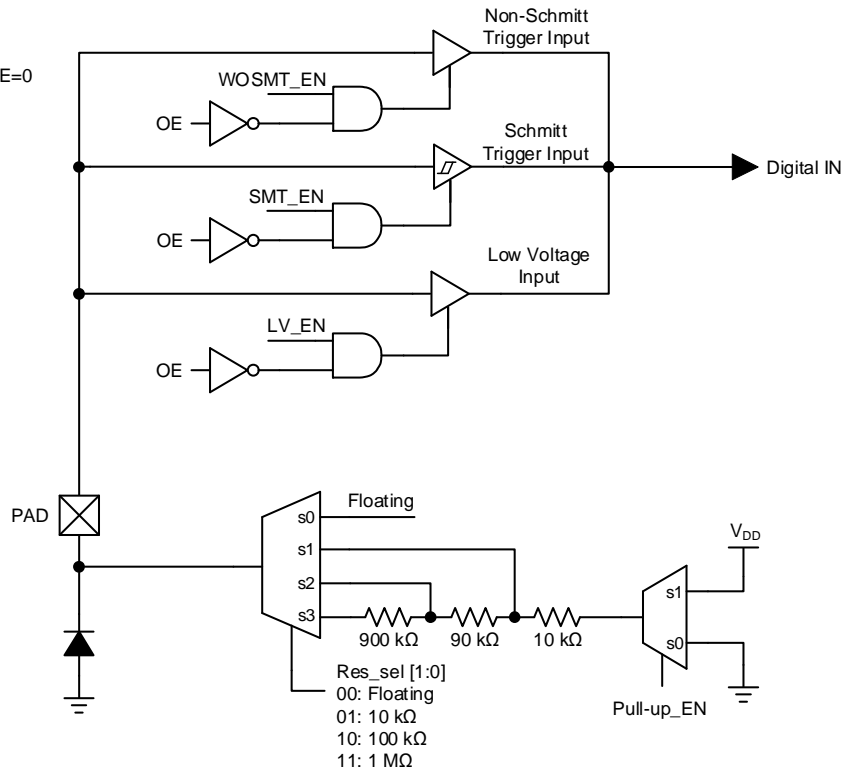


Figure 3: IO0 GPI Structure Diagram

GreenPAK Programmable Mixed-Signal Matrix

5.7 GPIO WITH I²C MODE IO STRUCTURE

5.7.1 GPIO with I²C Mode Structure (for GPIO0 and GPIO1)

IO6, IO7 Mode [2:0]
 00: Digital Input without Schmitt Trigger
 01: Reserved
 10: Low Voltage Digital Input
 11: Reserved

register [790]=1: Open-Drain NMOS for GPIO0
 register [796]=1: Open-Drain NMOS for GPIO1

Note 1: OE cannot be selected by user and is controlled by register. Digital In is Matrix input.
 Note 2: GPIO0 and GPIO1 do not support Push-Pull and PMOS Open-Drain modes.
 Note 3: It is possible to apply an input voltage higher than V_{DD} to GPIO0 and GPIO1. However, this voltage should not exceed 5.5 V.
 Note 4: Can be varied over PVT, for reference only

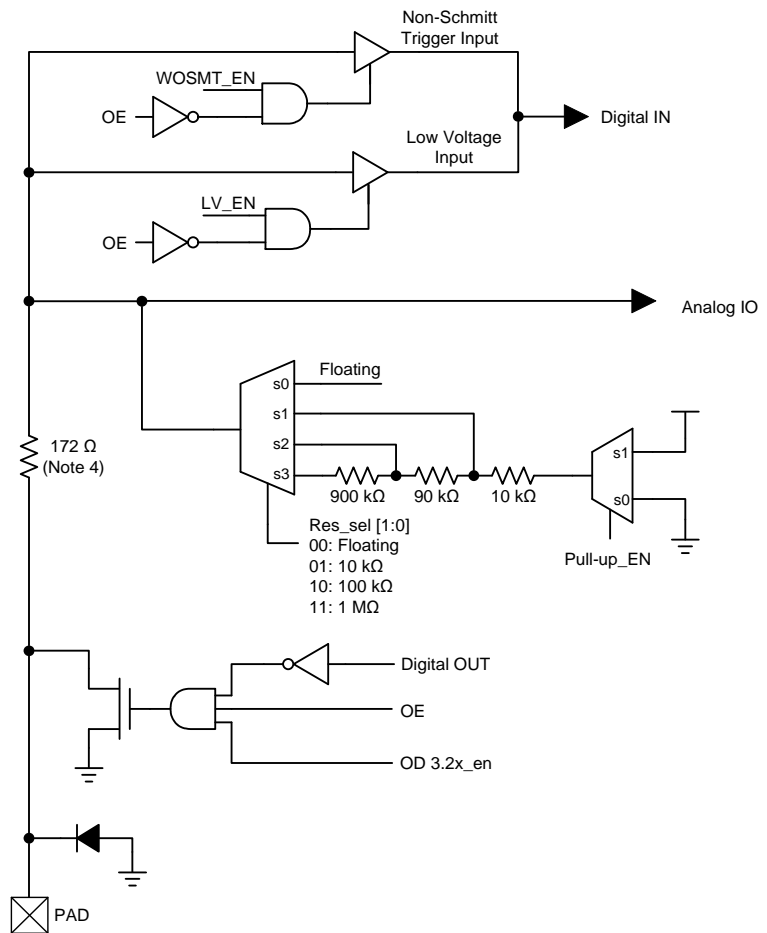


Figure 4: GPIO with I²C Mode IO Structure Diagram

GreenPAK Programmable Mixed-Signal Matrix

5.8 MATRIX OE IO STRUCTURE

5.8.1 Matrix OE IO Structure (for GPIO2, GPIO3, GPIO5, GPIO6, GPIO7, GPIO8, and GPIO9)

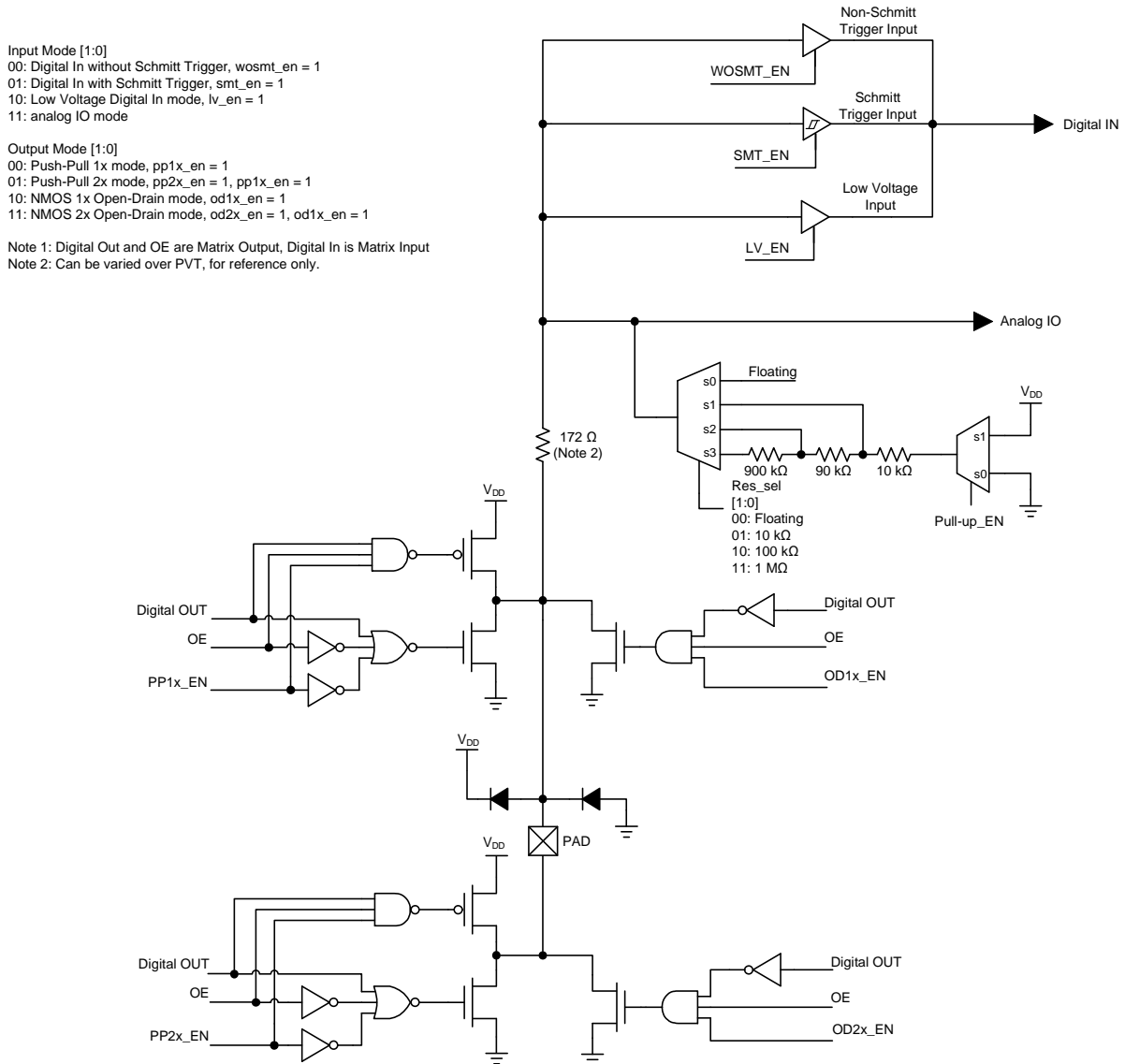


Figure 5: Matrix OE IO Structure Diagram

GreenPAK Programmable Mixed-Signal Matrix

5.8.2 Matrix OE 4x Drive Structure (for GPIO4)

Input Mode [1:0]
 00: Digital In without Schmitt Trigger, wosmt_en = 1
 01: Digital In with Schmitt Trigger, smt_en = 1
 10: Low Voltage Digital In mode, lv_en = 1
 11: Analog IO mode

Output Mode [2:0]
 Registers [828], [824:823]
 000: Push-Pull 1x mode (pp1x_en)
 001: Push-Pull 2x mode (pp2x_en)
 010: NMOS 1x Open-Drain mode (od1x_en)
 011: NMOS 2x Open-Drain mode (od2x_en)
 100: Reserved
 101: Push-Pull 4x mode (pp4x_en)
 110: Reserved
 111: NMOS 4x Open-Drain mode (od4x_en)

Note 1: Digital Out and OE are Matrix output, Digital In is Matrix input
 Note 2: Can be varied over PVT, for reference only

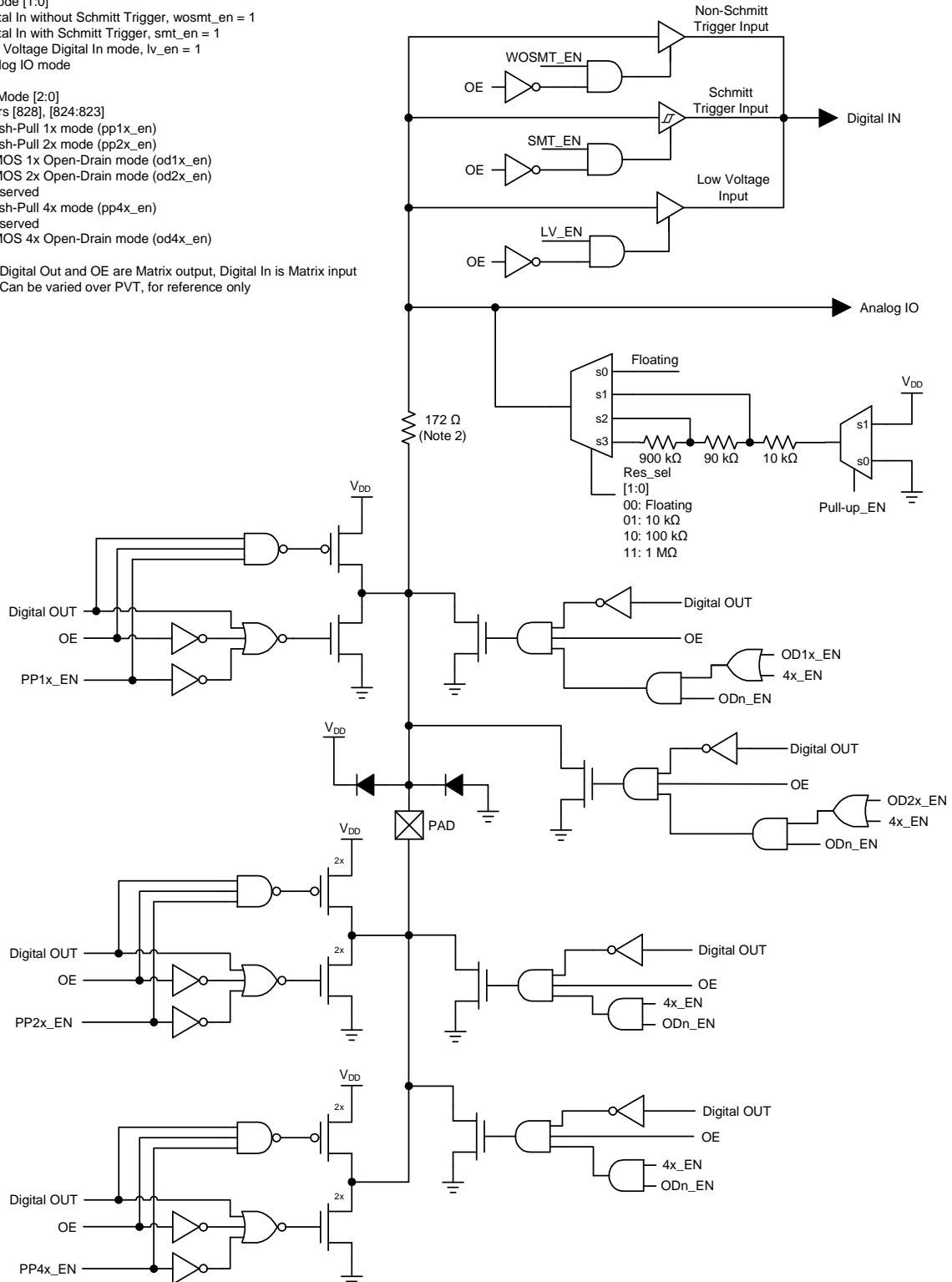


Figure 6: Matrix OE IO 4x Drive Structure Diagram

GreenPAK Programmable Mixed-Signal Matrix

5.9 GPO STRUCTURE

5.9.1 GPO Register OE Structure (for GPO0)

Output Mode [2:0]
 Registers [820], [815:814]
 000: Push-Pull 1x mode (pp1x_en)
 001: Push-Pull 2x mode (pp2x_en)
 010: NMOS 1x Open-Drain mode (od1x_en)
 011: NMOS 2x Open-Drain mode (od2x_en)
 100: Reserved
 101: Push-Pull 4x mode (pp4x_en)
 110: Reserved
 111: NMOS 4x Open-Drain mode (od4x_en)

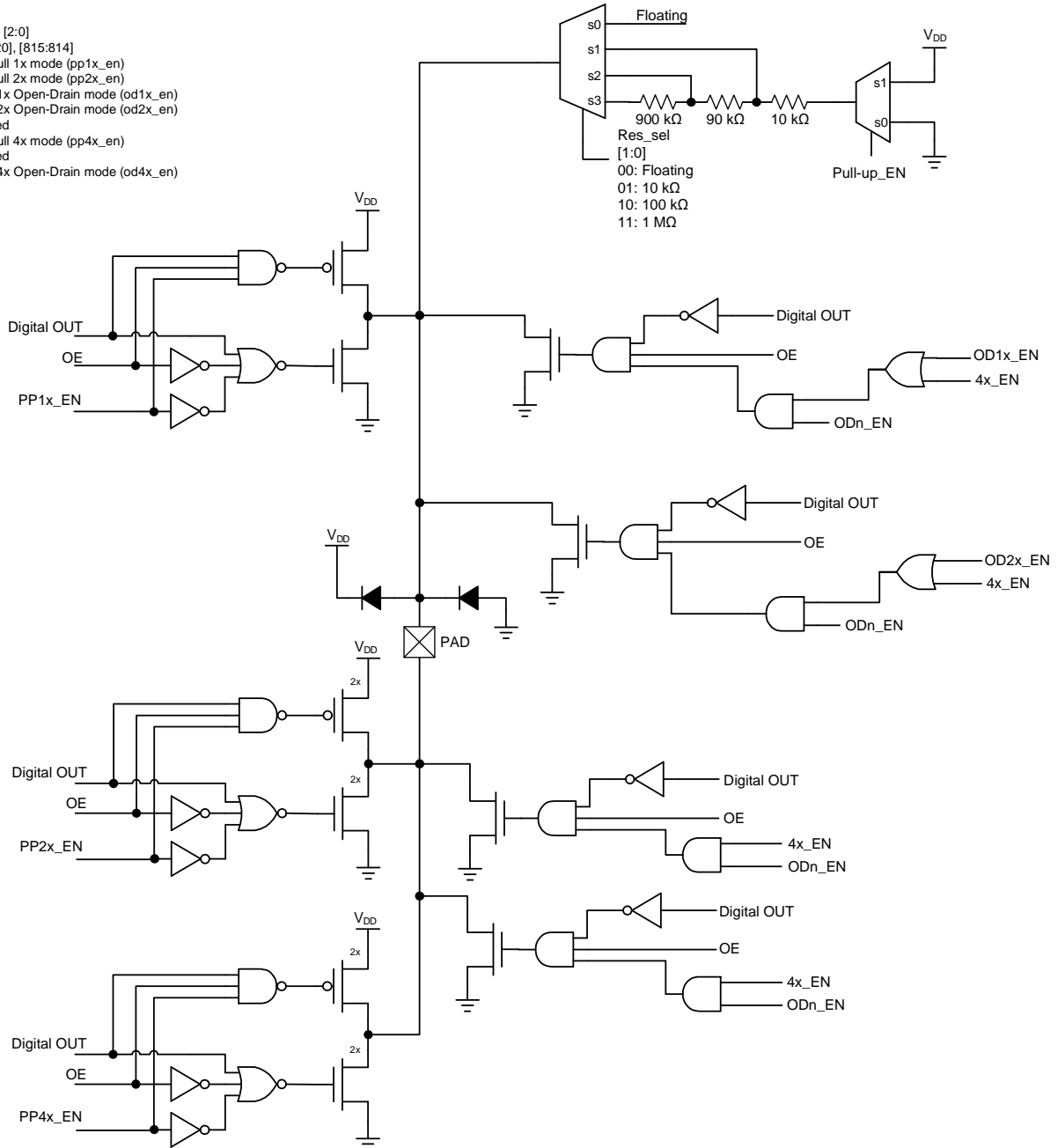


Figure 7: GPO Register OE 4x Drive Structure Diagram

GreenPAK Programmable Mixed-Signal Matrix

5.10 IO TYPICAL PERFORMANCE

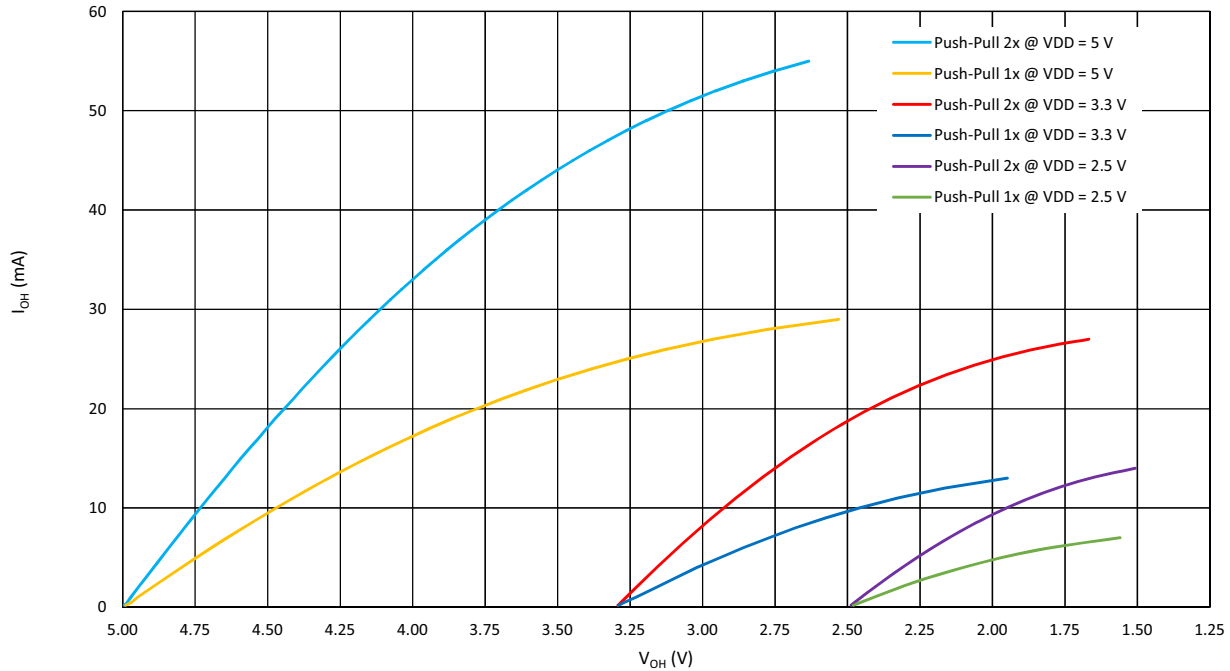


Figure 8: Typical High Level Output Current vs. High Level Output Voltage at T = 25 °C

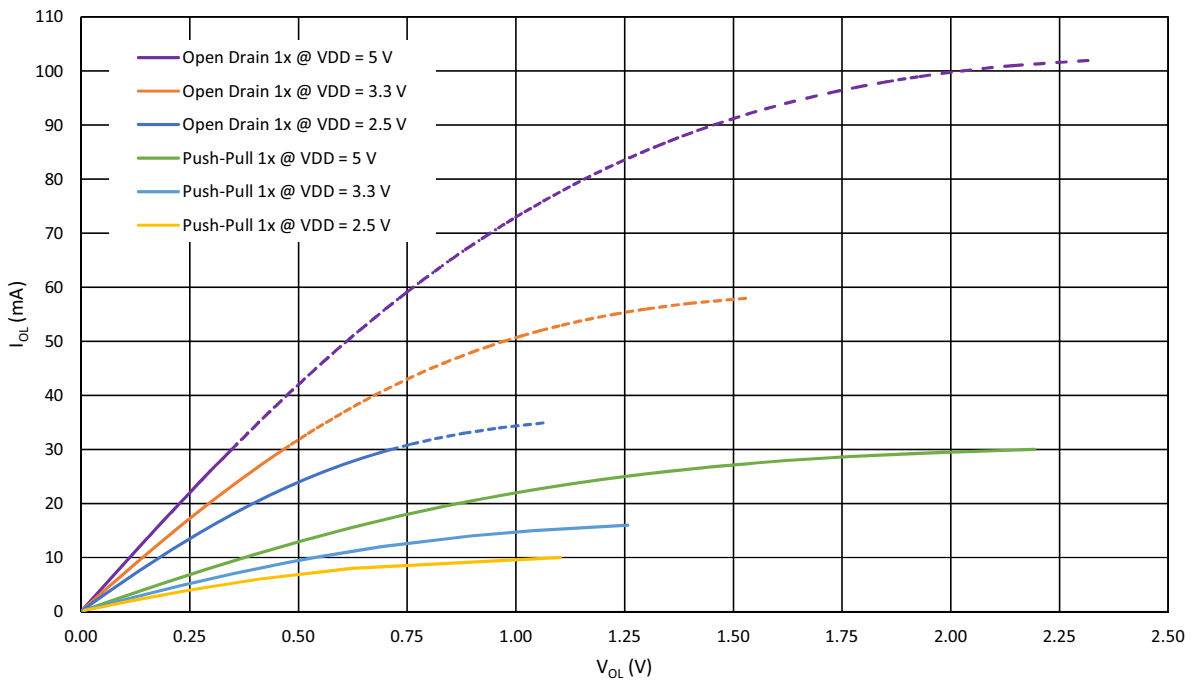


Figure 9: Typical Low Level Output Current vs. Low Level Output Voltage, 1x Drive at T = 25 °C, Full Range

GreenPAK Programmable Mixed-Signal Matrix

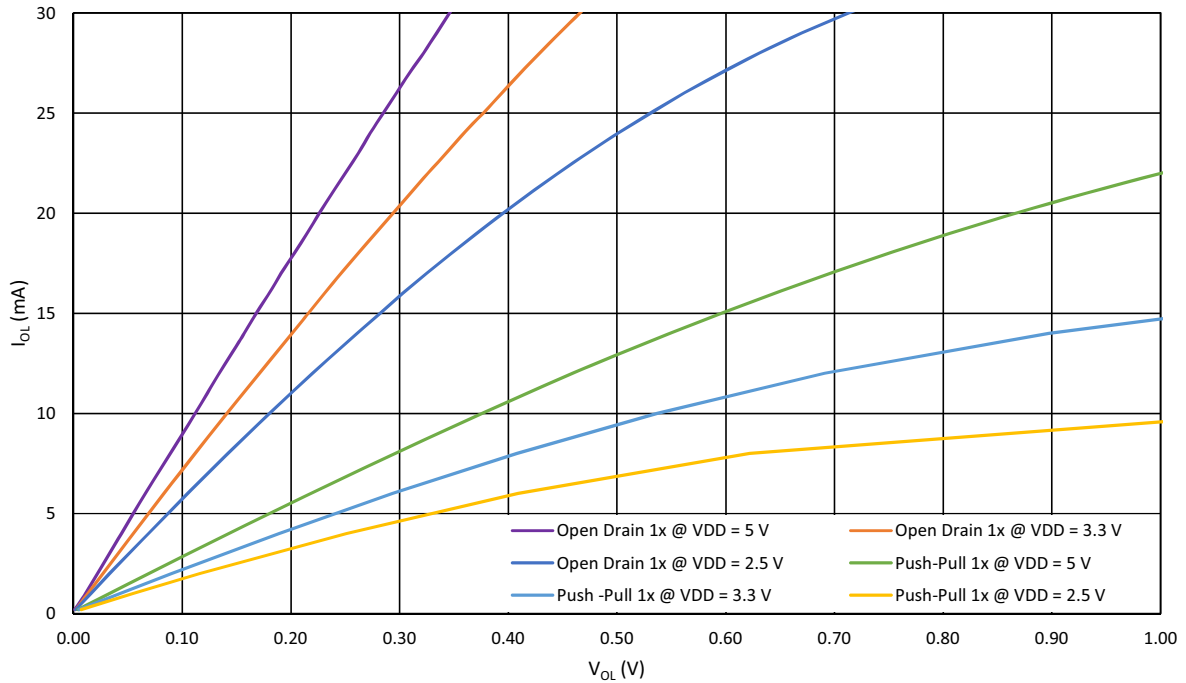


Figure 10: Typical Low Level Output Current vs. Low Level Output Voltage, 1x Drive at T = 25 °C

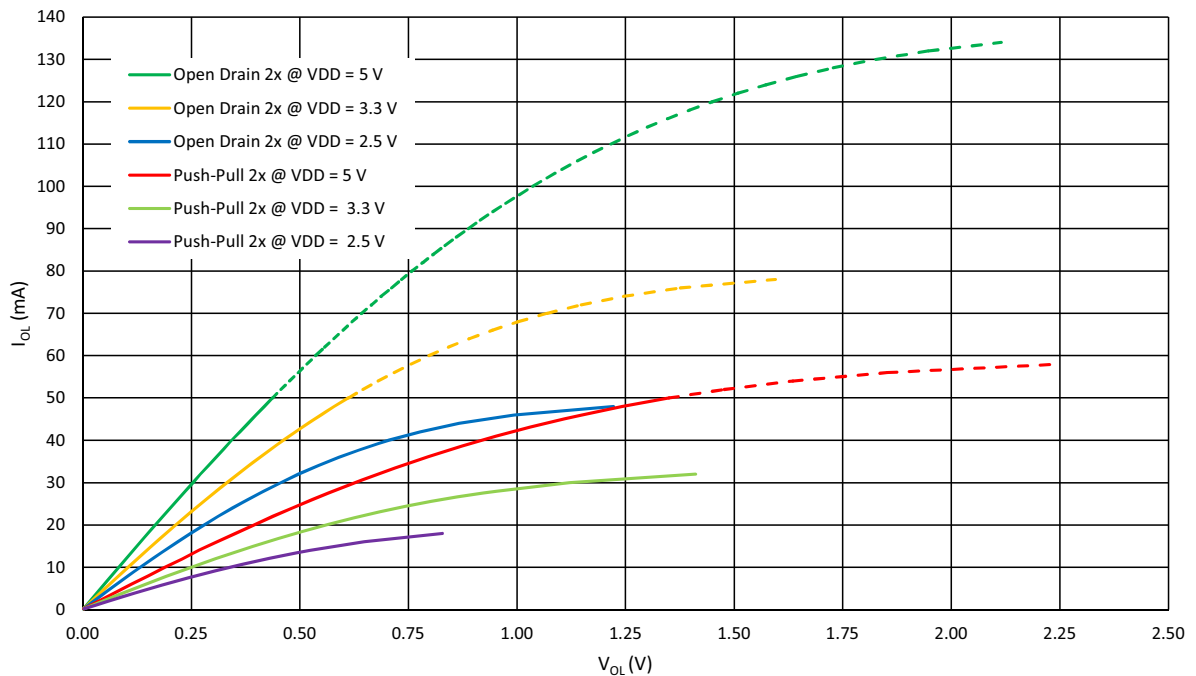


Figure 11: Typical Low Level Output Current vs. Low Level Output Voltage, 2x Drive at T = 25 °C, Full Range

GreenPAK Programmable Mixed-Signal Matrix

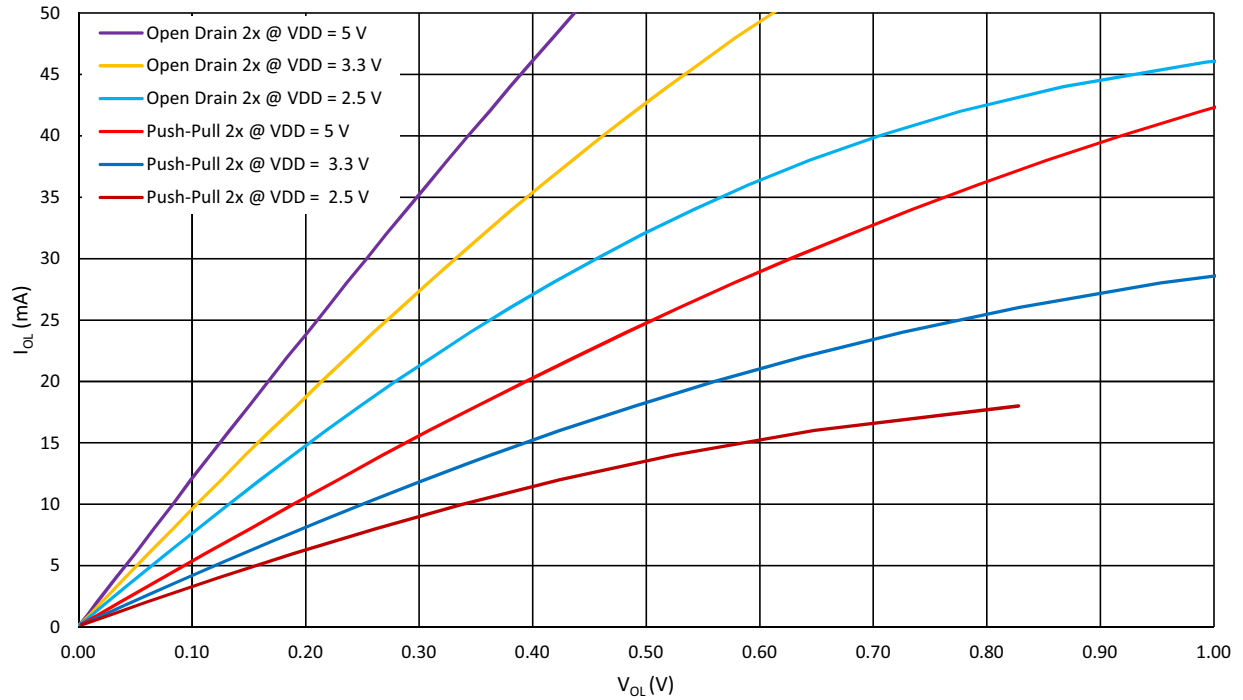


Figure 12: Typical Low Level Output Current vs. Low Level Output Voltage, 2x Drive at T = 25 °C

GreenPAK Programmable Mixed-Signal Matrix

6 Connection Matrix

The Connection Matrix in the SLG46855 is used to create the internal routing for internal functional macrocells of the device once it is programmed. The registers are programmed from the one time programmable (OTP) NVM cell during Test Mode Operation. The output of each functional macrocell within the SLG46855 has a specific digital bit code assigned to it that is either set to active “High” or inactive “Low”, based on the design that is created. Once the 2048 register bits within the SLG46855 are programmed a fully custom circuit will be created.

The Connection Matrix has 64 inputs and 96 outputs. Each of the 64 inputs to the Connection Matrix is hard-wired to the digital output of a particular source macrocell, including IO pins, LUTs, analog comparators, other digital resources, such as V_{DD} and GND. The input to a digital macrocell uses a 6-bit register to select one of these 64 input lines.

For a complete list of the SLG46855’s register table, see Section 17.

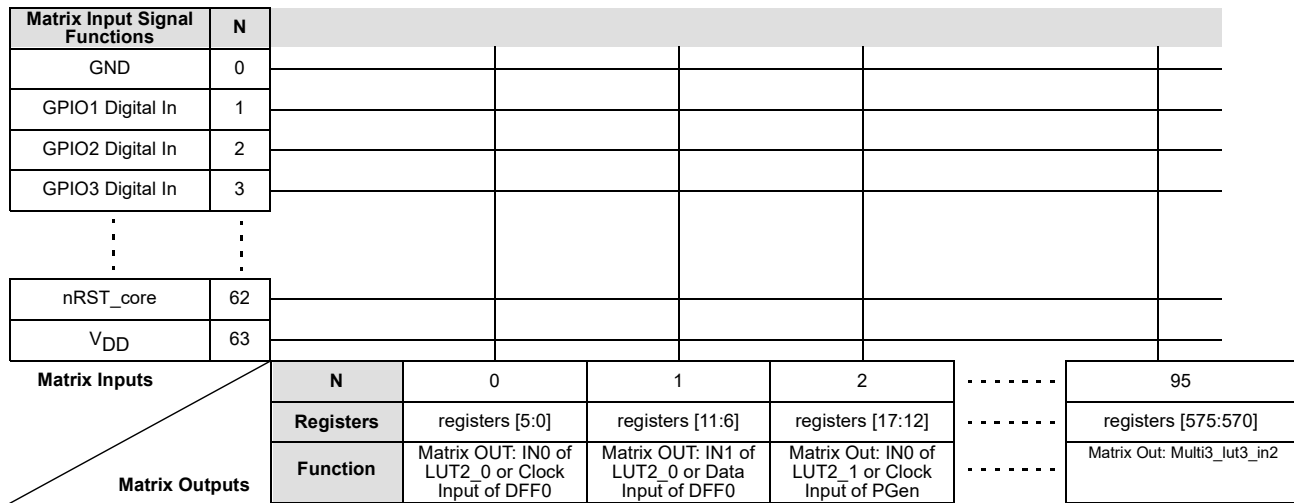


Figure 13: Connection Matrix

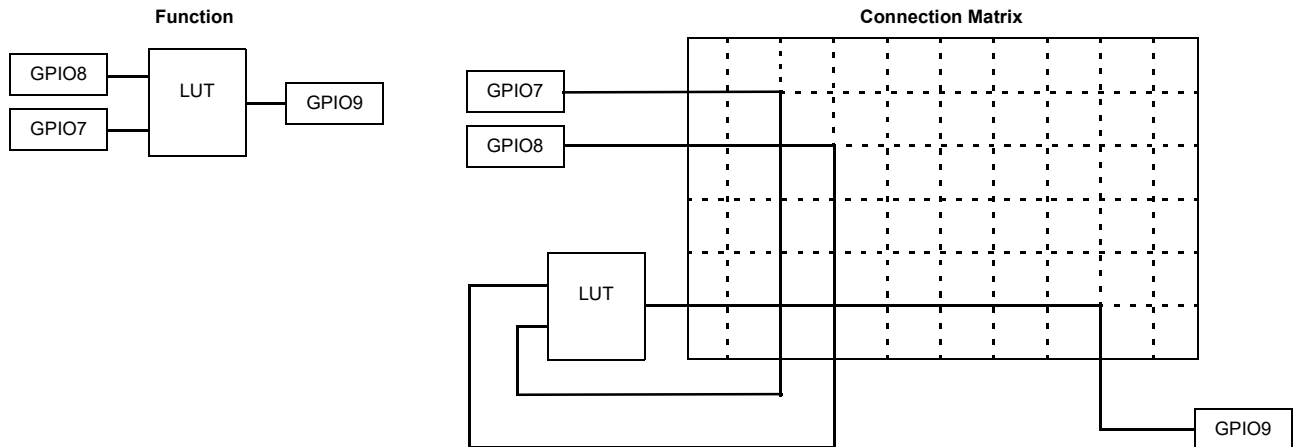


Figure 14: Connection Matrix Example

GreenPAK Programmable Mixed-Signal Matrix

6.1 MATRIX INPUT TABLE

Table 21: Matrix Input Table

Matrix Input Number	Matrix Input Signal Function	Matrix Decode					
		5	4	3	2	1	0
0	GND	0	0	0	0	0	0
1	LUT2_0/DFF0 output	0	0	0	0	0	1
2	LUT2_1/DFF1 output	0	0	0	0	1	0
3	LUT2_2/DFF2 output	0	0	0	0	1	1
4	LUT2_3/PGen output	0	0	0	1	0	0
5	LUT3_0/DFF3 output	0	0	0	1	0	1
6	LUT3_1/DFF4 output	0	0	0	1	1	0
7	LUT3_2/DFF5 output	0	0	0	1	1	1
8	LUT3_3/DFF6 output	0	0	1	0	0	0
9	LUT3_4/DFF7 output	0	0	1	0	0	1
10	LUT3_5/DFF8 output	0	0	1	0	1	0
11	LUT3_6/DFF9 output	0	0	1	0	1	1
12	LUT3_7/DFF10 output	0	0	1	1	0	0
13	LUT3_8/DFF11 output	0	0	1	1	0	1
14	CNT0 output	0	0	1	1	1	0
15	MF0_LUT4/DFF_OUT	0	0	1	1	1	1
16	CNT1 output	0	1	0	0	0	0
17	MF1_LUT3/DFF_OUT	0	1	0	0	0	1
18	CNT2 output	0	1	0	0	1	0
19	MF2_LUT3/DFF_OUT	0	1	0	0	1	1
20	CNT3 output	0	1	0	1	0	0
21	MF3_LUT3/DFF_OUT	0	1	0	1	0	1
22	CNT4 output	0	1	0	1	1	0
23	MF4_LUT3/DFF_OUT	0	1	0	1	1	1
24	CNT5 output	0	1	1	0	0	0
25	MF5_LUT3/DFF_OUT	0	1	1	0	0	1
26	CNT6 output	0	1	1	0	1	0
27	MF6_LUT3/DFF_OUT	0	1	1	0	1	1
28	CNT7 output	0	1	1	1	0	0
29	MF7_LUT3/DFF_OUT	0	1	1	1	0	1
30	LUT3_16/Ripple CNT/Pipe Delay_out0	0	1	1	1	1	0
31	Ripple CNT/Pipe Delay_out1	0	1	1	1	1	1
32	GPIO0 digital input or I ² C_virtual_0 Input	1	0	0	0	0	0
33	GPIO1 digital input or I ² C_virtual_1 Input	1	0	0	0	0	1
34	I ² C_virtual_2 Input	1	0	0	0	1	0
35	I ² C_virtual_3 Input	1	0	0	0	1	1
36	I ² C_virtual_4 Input	1	0	0	1	0	0
37	I ² C_virtual_5 Input	1	0	0	1	0	1

GreenPAK Programmable Mixed-Signal Matrix

Table 21: Matrix Input Table (Continued)

Matrix Input Number	Matrix Input Signal Function	Matrix Decode					
		5	4	3	2	1	0
38	I ² C_virtual_6 Input	1	0	0	1	1	0
39	I ² C_virtual_7 Input	1	0	0	1	1	1
40	Ripple CNT_out2	1	0	1	0	0	0
41	LUT4_0/DFE12 output	1	0	1	0	0	1
42	Programmable Delay Edge Detect Output	1	0	1	0	1	0
43	Edge Detect Filter Output	1	0	1	0	1	1
44	GPIO0 Digital Input	1	0	1	1	0	0
45	GPIO2 Digital Input	1	0	1	1	0	1
46	GPIO3, Digital Input	1	0	1	1	1	0
47	GPIO4 Digital Input	1	0	1	1	1	1
48	GPIO5 Digital Input	1	1	0	0	0	0
49	GPIO6 Digital Input	1	1	0	0	0	1
50	GPIO7 Digital Input	1	1	0	0	1	0
51	GPIO8 Digital Input	1	1	0	0	1	1
52	GPIO9, Digital Input	1	1	0	1	0	0
53	Oscillator0 output 0	1	1	0	1	0	1
54	Oscillator1 output 0	1	1	0	1	1	0
55	Oscillator2 output	1	1	0	1	1	1
56	ACMP0 Output (normal speed)	1	1	1	0	0	0
57	ACMP1 Output (normal speed)	1	1	1	0	0	1
58	ACMP2 Output (low speed)	1	1	1	0	1	0
59	ACMP3 output (low speed)	1	1	1	0	1	1
60	Oscillator0 output 1	1	1	1	1	0	0
61	Oscillator1 output 1	1	1	1	1	0	1
62	POR OUT	1	1	1	1	1	0
63	V _{DD}	1	1	1	1	1	1

GreenPAK Programmable Mixed-Signal Matrix

6.2 MATRIX OUTPUT TABLE

Table 22: Matrix Output Table

Register Bit Address	Matrix Output Signal Function	Matrix Output Number
[5:0]	IN0 of LUT2_0 or Clock Input of DFF0	0
[11:6]	IN1 of LUT2_0 or Data Input of DFF0	1
[17:12]	IN0 of LUT2_1 or Clock Input of DFF1	2
[23:18]	IN1 of LUT2_1 or Data Input of DFF1	3
[29:24]	IN0 of LUT2_2 or Clock Input of DFF2	4
[35:30]	IN1 of LUT2_2 or Data Input of DFF2	5
[41:36]	IN0 of LUT2_3 or Clock Input of PGen	6
[47:42]	IN1 of LUT2_3 or nRST of PGen	7
[53:48]	IN0 of LUT3_0 or CLK Input of DFF3	8
[59:54]	IN1 of LUT3_0 or Data of DFF3	9
[65:60]	IN2 of LUT3_0 or nRST (nSET) of DFF3	10
[71:66]	IN0 of LUT3_1 or CLK Input of DFF4	11
[77:72]	IN1 of LUT3_1 or Data of DFF4	12
[83:78]	IN2 of LUT3_1 or nRST (nSET) of DFF4	13
[89:84]	IN0 of LUT3_2 or CLK Input of DFF5	14
[95:90]	IN1 of LUT3_2 or Data of DFF5	15
[101:96]	IN2 of LUT3_2 or nRST (nSET) of DFF5	16
[107:102]	IN0 of LUT3_3 or CLK Input of DFF6	17
[113:108]	IN1 of LUT3_3 or Data of DFF6	18
[119:114]	IN2 of LUT3_3 or nRST (nSET) of DFF6	19
[125:120]	IN0 of LUT3_4 or CLK Input of DFF7	20
[131:126]	IN1 of LUT3_4 or Data of DFF7	21
[137:132]	IN2 of LUT3_4 or Data of DFF7	22
[143:138]	IN0 of LUT3_5 or CLK Input of DFF8	23
[149:144]	IN1 of LUT3_5 or Data of DFF8	24
[155:150]	IN2 of LUT3_5 or nRST (nSET) of DFF8	25
[161:156]	IN0 of LUT3_6 or CLK Input of DFF9	26
[167:162]	IN1 of LUT3_6 or Data of DFF9	27
[173:168]	IN2 of LUT3_6 or nRST (nSET) of DFF9	28
[179:174]	IN0 of LUT3_7 or CLK Input of DFF10	29
[185:180]	IN1 of LUT3_7 or Data of DFF10	30
[191:186]	IN2 of LUT3_7 or nRST (nSET) of DFF10	31
[197:192]	IN0 of LUT3_8 or CLK Input of DFF11	32
[203:198]	IN1 of LUT3_8 or CLK Input of DFF11	33
[209:204]	IN2 of LUT3_8 or nRST (nSET) of DFF11	34
[215:210]	IN0 of LUT3_12 or CLK Input of DFF16 Delay4 Input (or Counter4 nRST Input)	35
[221:216]	IN1 of LUT3_12 or nRST (nSET) of DFF16 Delay4 Input (or Counter4 nRST Input)	36

GreenPAK Programmable Mixed-Signal Matrix

Table 22: Matrix Output Table (Continued)

Register Bit Address	Matrix Output Signal Function	Matrix Output Number
[227:222]	IN2 of LUT3_12 or Data of DFF16 Delay4 Input (or Counter4 nRST Input)	37
[233:228]	IN0 of LUT3_13 or CLK Input of DFF17 Delay5 Input (or Counter5 nRST Input)	38
[239:234]	IN1 of LUT3_13 or nRST (nSET) of DFF17 Delay5 Input (or Counter5 nRST Input)	39
[245:240]	IN2 of LUT3_13 or Data of DFF17 Delay5 Input (or Counter5 nRST Input)	40
[251:246]	IN0 of LUT3_14 or CLK Input of DFF18 Delay6 Input (or Counter6 nRST Input)	41
[257:252]	IN1 of LUT3_14 or nRST (nSET) of DFF18 Delay6 Input (or Counter6 nRST Input)	42
[263:258]	IN2 of LUT3_14 or Data of DFF18 Delay6 Input (or Counter6 nRST Input)	43
[269:264]	IN0 of LUT3_15 or CLK Input of DFF19 Delay7 Input (or Counter7 nRST Input)	44
[275:270]	IN1 of LUT3_15 or nRST (nSET) of DFF19 Delay7 Input (or Counter7 nRST Input)	45
[281:276]	IN2 of LUT3_15 or Data of DFF19 Delay7 Input (or Counter7 nRST Input)	46
[287:282]	IN0 of LUT3_16 or Input of Pipe Delay or UP signal of RIPP CNT	47
[293:288]	IN1 of LUT3_16 or nRST of Pipe Delay or nSET of RIPP CNT	48
[299:294]	IN2 of LUT3_16 or Clock of Pipe Delay_RIPP CNT	49
[305:300]	IN0 of LUT4_0 or CLK Input of DFF12	50
[311:306]	IN1 of LUT4_0 or Data of DFF12	51
[317:312]	IN2 of LUT4_0 or nRST (nSET) of DFF12	52
[323:318]	IN3 of LUT4_0	53
[329:324]	Programmable delay/edge detect input	54
[335:330]	Filter/Edge detect input	55
[341:336]	GPIO0 Digital Output	56
[347:342]	GPIO1 Digital Output	57
[353:348]	GPIO2 Digital Output	58
[359:354]	GPIO2 Digital Output OE	59
[365:360]	GPIO3, Digital Output	60
[371:366]	GPIO3, Digital Output OE	61
[377:372]	GPO0 Digital Output	62
[383:378]	GPIO4 Digital Output	63
[389:384]	GPIO4 Digital Output OE	64
[395:390]	GPIO5 Digital Output	65
[401:396]	GPIO5 Digital Output OE	66
[407:402]	GPIO6 Digital Output	67
[413:408]	GPIO6 Digital Output OE	68

GreenPAK Programmable Mixed-Signal Matrix

Table 22: Matrix Output Table (Continued)

Register Bit Address	Matrix Output Signal Function	Matrix Output Number
[419:414]	GPIO7 Digital Output	69
[425:420]	GPIO7 Digital Output OE	70
[431:426]	GPIO8 Digital Output	71
[437:432]	GPIO8 Digital Output OE	72
[443:438]	GPIO9, Digital Output	73
[449:444]	GPIO9 Digital Output OE	74
[455:450]	PWR UP of ACMP0_H	75
[461:456]	PWR UP of ACMP1_H	76
[467:462]	PWR UP of ACMP2_L	77
[473:468]	PWR UP of ACMP3_L	78
[479:474]	Temp sensor, Vref Out_0, Vref Out_1 Power Up	79
[485:480]	Oscillator0 ENABLE	80
[491:486]	Oscillator1 ENABLE	81
[497:492]	Oscillator2 ENABLE	82
[503:498]	IN0 of LUT4_1 or CLK Input of DFF20 Delay0 Input (or Counter0 nRST Input)	83
[509:504]	IN1 of LUT4_1 or nRST of DFF20 Delay0 Input (or Counter0 nRST Input)	84
[515:510]	IN2 of LUT4_1 or nSET of DFF20 Delay0 Input (or Counter0 nRST Input)	85
[521:516]	IN3 of LUT4_1 or Data of DFF20 Delay0 Input (or Counter0 nRST Input)	86
[527:522]	IN0 of LUT3_9 or CLK Input of DFF13 Delay1 Input (or Counter1 nRST Input)	87
[533:528]	IN1 of LUT3_9 or nRST (nSET) of DFF13 Delay1 Input (or Counter1 nRST Input)	88
[539:523]	IN2 of LUT3_9 or Data of DFF13 Delay1 Input (or Counter1 nRST Input)	89
[545:540]	IN0 of LUT3_10 or CLK Input of DFF14 Delay2 Input (or Counter2 nRST Input)	90
[551:546]	IN1 of LUT3_10 or nRST (nSET) of DFF14 Delay2 Input (or Counter2 nRST Input)	91
[557:552]	IN2 of LUT3_10 or Data of DFF14 Delay2 Input (or Counter2 nRST Input)	92
[563:558]	IN0 of LUT3_11 or CLK Input of DFF15 Delay3 Input (or Counter3 nRST Input)	93
[569:564]	IN1 of LUT3_11 or nRST (nSET) of DFF15 Delay3 Input (or Counter3 nRST Input)	94
[575:570]	IN2 of LUT3_11 or Data of DFF15 Delay3 Input (or Counter3 nRST Input)	95

Note 1 For each Address, the two most significant bits are unused.

GreenPAK Programmable Mixed-Signal Matrix

6.3 CONNECTION MATRIX VIRTUAL INPUTS

As mentioned previously, the Connection Matrix inputs come from the outputs of various digital macrocells on the device. Eight of the Connection Matrix inputs have the special characteristic that the state of these signal lines comes from a corresponding data bit written as a register value via I²C. This gives the user the ability to write data via the serial channel, and have this information translated into signals that can be driven into the Connection Matrix and from the Connection Matrix to the digital inputs of other macrocells on the device. The I²C address for reading and writing these register values is at byte 0x4C (076).

Six of the eight Connection Matrix Virtual Inputs are dedicated to this virtual input function. An I²C write command to these register bits will set the signal values going into the Connection Matrix to the desired state. A read command to these register bits will read either the original data values coming from the NVM memory bits (that were loaded during the initial device startup), or the values from a previous write command (if that has happened).

Two of the eight Connection Matrix Virtual Inputs are shared with Pin digital inputs (GPIO0Digital or I²C_virtual_0 Input), and (GPIO1 Digital or I²C_virtual_1 Input). If the virtual input mode is selected, an I²C write command to these register bits will set the signal values going into the Connection Matrix to the desired state. A read command to these register bits will read either the original data values coming from the NVM memory bits (that were loaded during the initial device startup), or the values from a previous write command (if that has happened). The I²C disable/enable register bit [2032] selects whether the Connection Matrix input comes from the Pin input or from the virtual register:

- Select SCL & Virtual Input 0 or GPIO0
- Select SDA & Virtual Input 1 or GPIO1

See [Table 22](#) for Connection Matrix Virtual Inputs.

Table 23: Connection Matrix Virtual Inputs

Matrix Input Number	Matrix Input Signal Function	Register Bit Addresses (d)
32	I ² C_virtual_0 Input	[608]
33	I ² C_virtual_1 Input	[609]
34	I ² C_virtual_2 Input	[610]
35	I ² C_virtual_3 Input	[611]
36	I ² C_virtual_4 Input	[612]
37	I ² C_virtual_5 Input	[613]
38	I ² C_virtual_6 Input	[614]
39	I ² C_virtual_7 Input	[615]

6.4 CONNECTION MATRIX VIRTUAL OUTPUTS

The digital outputs of the various macrocells are routed to the Connection Matrix to enable interconnections to the inputs of other macrocells in the device. At the same time, it is possible to read the state of each of the macrocell outputs as a register value via I²C. This option, called Connection Matrix Virtual Outputs, allows the user to remotely read the values of each macrocell output. The I²C addresses for reading these register values are bytes 0x48 (072) to 0x4F (079). Write commands to these same register values will be ignored (with the exception of the Virtual Input register bits at byte 0x4C (076)).

GreenPAK Programmable Mixed-Signal Matrix

7 Combination Function Macrocells

The SLG46855 has 15 combination function macrocells that can serve more than one logic or timing function. In each case, they can serve as a Look Up Table (LUT), or as another logic or timing function. See the list below for the functions that can be implemented in these macrocells.

- Three macrocells that can serve as either 2-bit LUT or as D Flip-Flop
- Nine macrocells that can serve as either 3-bit LUTs or as D Flip-Flops with Set/Reset Input
- One macrocell that can serve as either 3-bit LUT or as Pipe Delay/Ripple Counter
- One macrocell that can serve as either 2-bit LUT or as Programmable Pattern Generator (PGen)
- One macrocell that can serve as either 4-bit LUT or as D Flip-Flop with Set/Reset Input

Inputs/Outputs for the 15 combination function macrocells are configured from the connection matrix with specific logic functions being defined by the state of configuration bits.

When used as a LUT to implement combinatorial logic functions, the outputs of the LUTs can be configured to any user defined function, including the following standard digital logic devices (AND, NAND, OR, NOR, XOR, XNOR).

7.1 2-BIT LUT OR D FLIP-FLOP MACROCELLS

There is one macrocell that can serve as either 2-bit LUT or as D Flip-Flop. When used to implement LUT functions, the 2-bit LUT takes in two input signals from the connection matrix and produce a single output, which goes back into the connection matrix. When used to implement D Flip-Flop function, the two input signals from the connection matrix go to the data (D) and clock (CLK) inputs for the Flip-Flop, with the output going back to the connection matrix.

The operation of the D Flip-Flop and LATCH will follow the functional descriptions below:

DFF: CLK is rising edge triggered, then Q = D; otherwise Q will not change

LATCH: when CLK is Low, then Q = D; otherwise Q remains its previous value (input D has no effect on the output, when CLK is High).

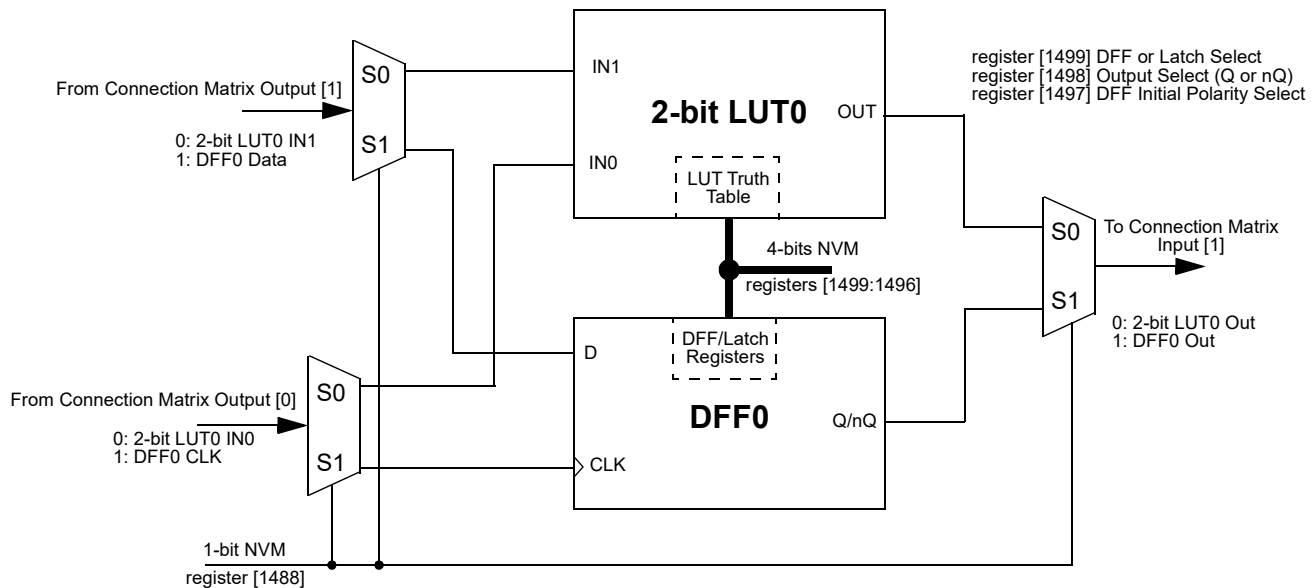


Figure 15: 2-bit LUT0 or DFF0

GreenPAK Programmable Mixed-Signal Matrix

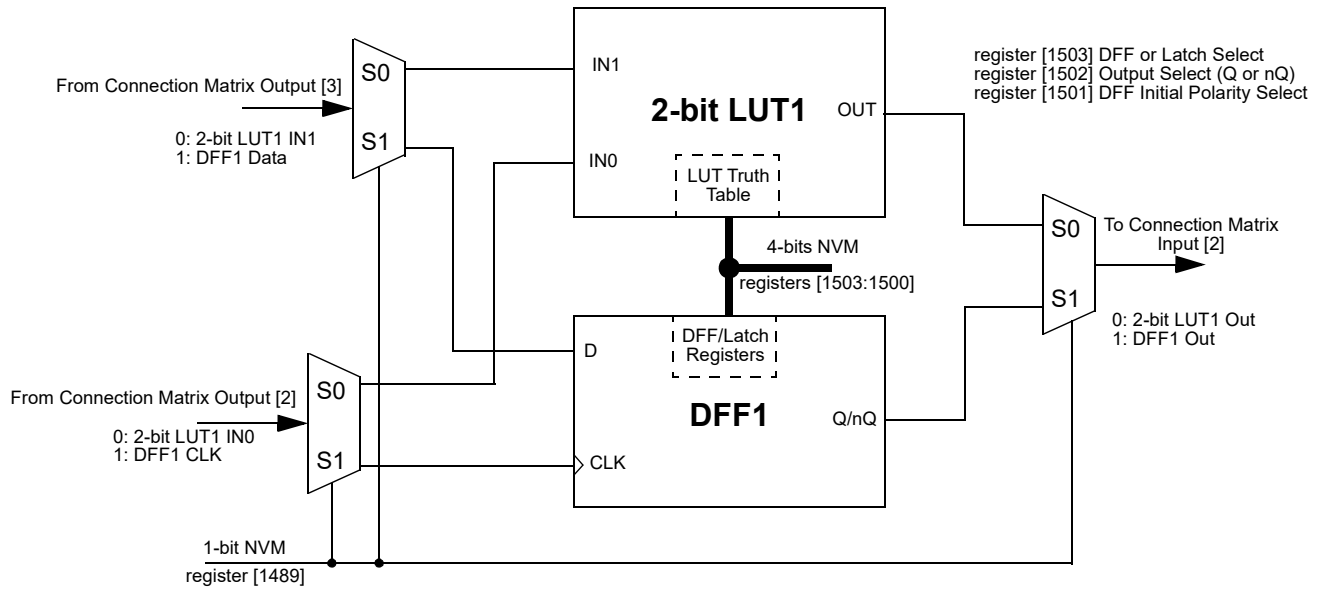


Figure 16: 2-bit LUT1 or DFF1

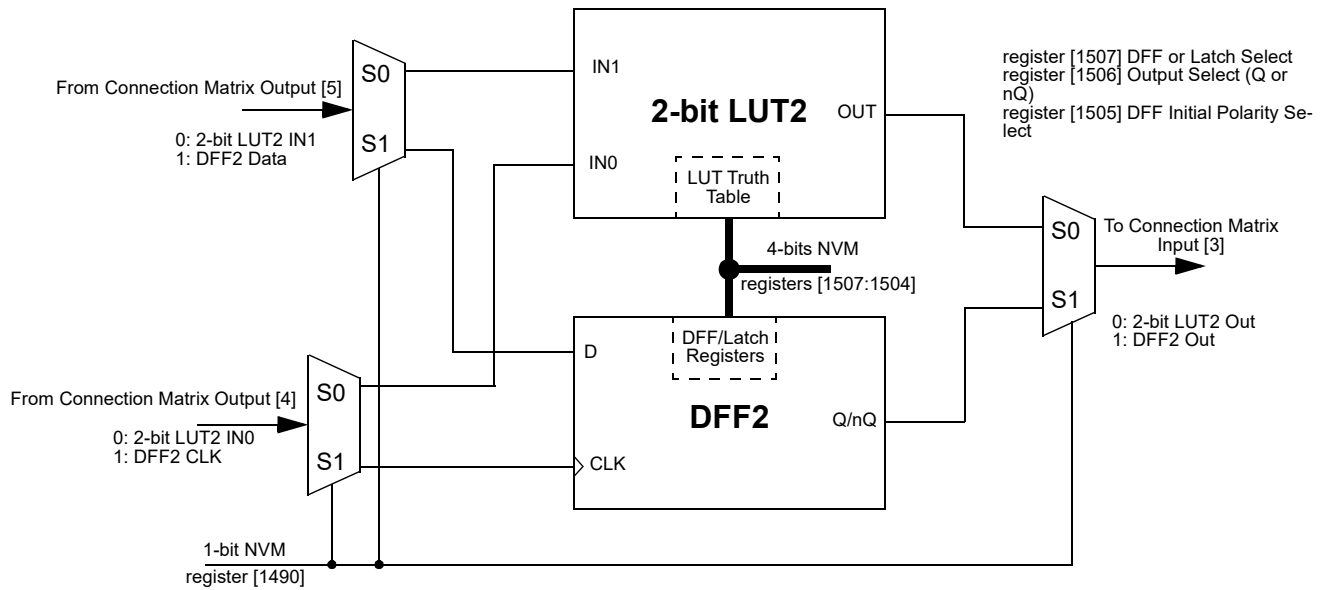


Figure 17: 2-bit LUT2 or DFF2

GreenPAK Programmable Mixed-Signal Matrix

7.1.1 2-Bit LUT or D Flip-Flop Macrocell Used as 2-Bit LUT

Table 24: 2-bit LUT0 Truth Table

IN1	IN0	OUT	
0	0	register [1496]	LSB
0	1	register [1497]	
1	0	register [1498]	
1	1	register [1499]	MSB

Table 25: 2-bit LUT1 Truth Table

IN1	IN0	OUT	
0	0	register [1500]	LSB
0	1	register [1501]	
1	0	register [1502]	
1	1	register [1503]	MSB

Table 26: 2-bit LUT2 Truth Table

IN1	IN0	OUT	
0	0	register [1504]	LSB
0	1	register [1505]	
1	0	register [1506]	
1	1	register [1507]	MSB

This macrocell, when programmed for a LUT function, uses a 4-bit register to define their output function:

2-Bit LUT0 is defined by registers [1499:1496]

2-Bit LUT1 is defined by registers [1503:1500]

2-Bit LUT2 is defined by registers [1507:1504]

Table 26 shows the register bits for the standard digital logic devices (AND, NAND, OR, NOR, XOR, XNOR) that can be created within each of the 2-bit LUT logic cells.

Table 27: 2-bit LUT Standard Digital Functions

Function	MSB			LSB
AND-2	1	0	0	0
NAND-2	0	1	1	1
OR-2	1	1	1	0
NOR-2	0	0	0	1
XOR-2	0	1	1	0
XNOR-2	1	0	0	1

GreenPAK Programmable Mixed-Signal Matrix

7.1.2 Initial Polarity Operations

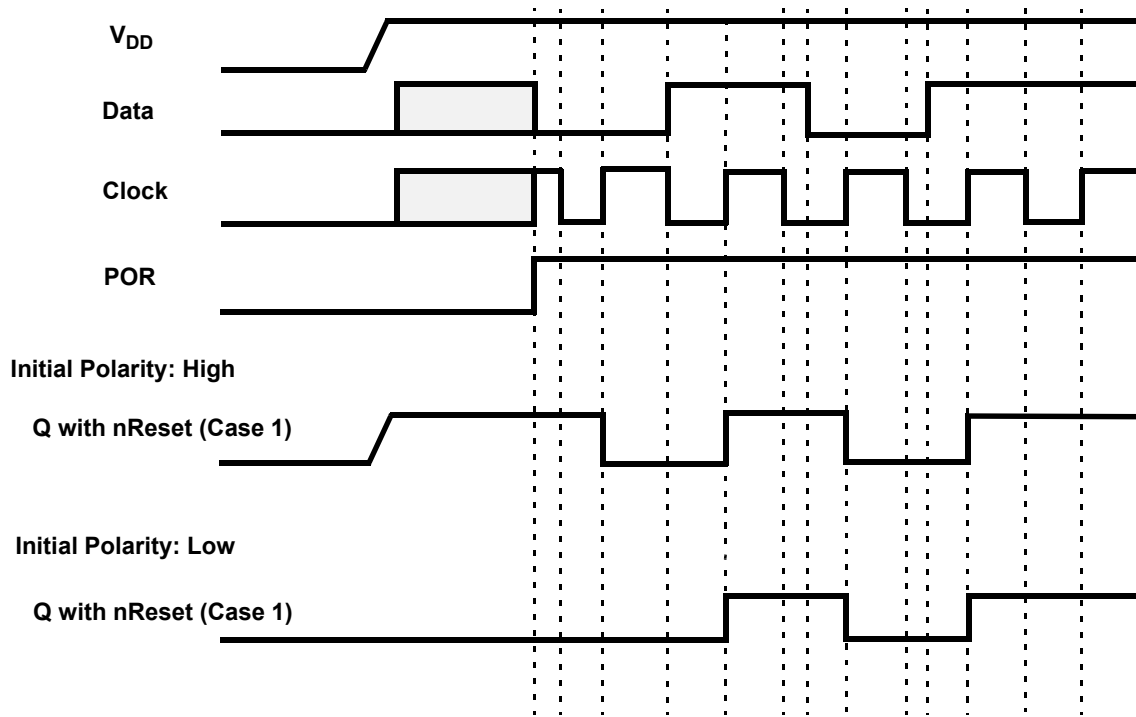


Figure 18: DFF Polarity Operations

7.2 2-BIT LUT OR PROGRAMMABLE PATTERN GENERATOR

The SLG46855 has one combination function macrocell that can serve as a logic or timing function. This macrocell can serve as a Look Up Table (LUT), or Programmable Pattern Generator (PGen).

When used to implement LUT functions, the 2-bit LUT takes in two input signals from the connection matrix and produces a single output, which goes back into the connection matrix. When used as a LUT to implement combinatorial logic functions, the outputs of the LUT can be configured to any user defined function, including the following standard digital logic devices (AND, NAND, OR, NOR, XOR, XNOR). The user can also define the combinatorial relationship between inputs and outputs to be any selectable function.

It is possible to define the RST level for the PGen macrocell. There are both high level reset (RST) and a low level reset (nRST) options available which are selected by register [1409]. When operating as a Programmable Pattern Generator, the output of the macrocell will clock out a sequence of two to sixteen bits that are user selectable in their bit values, and user selectable in the number of bits (up to sixteen) that are output before the pattern repeats.

GreenPAK Programmable Mixed-Signal Matrix

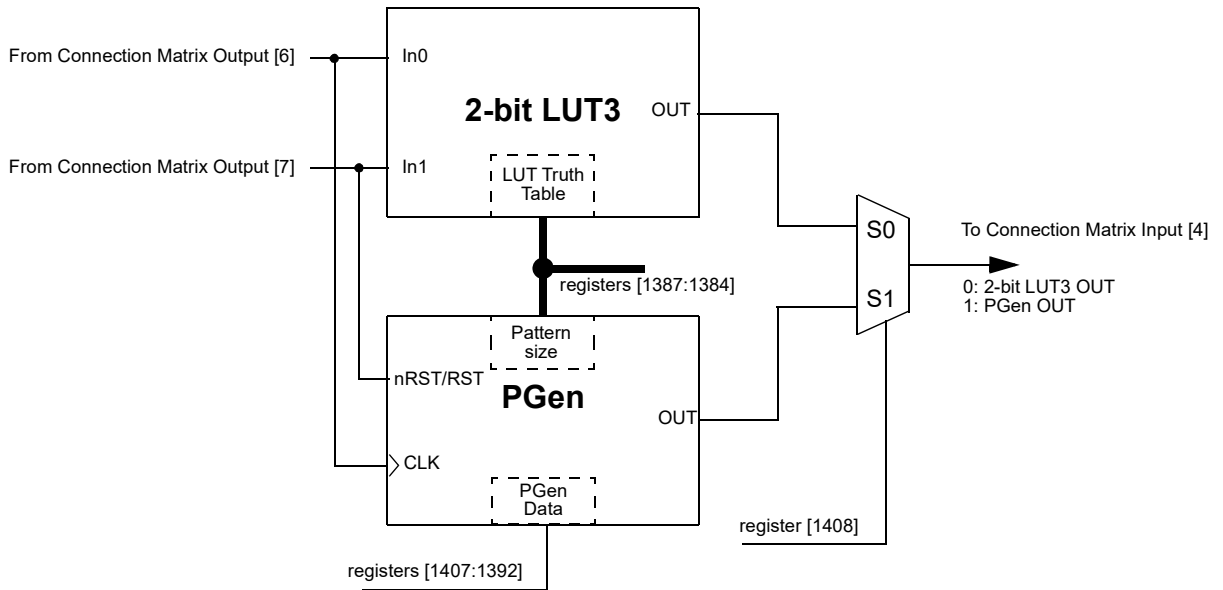


Figure 19: 2-bit LUT3 or PGen

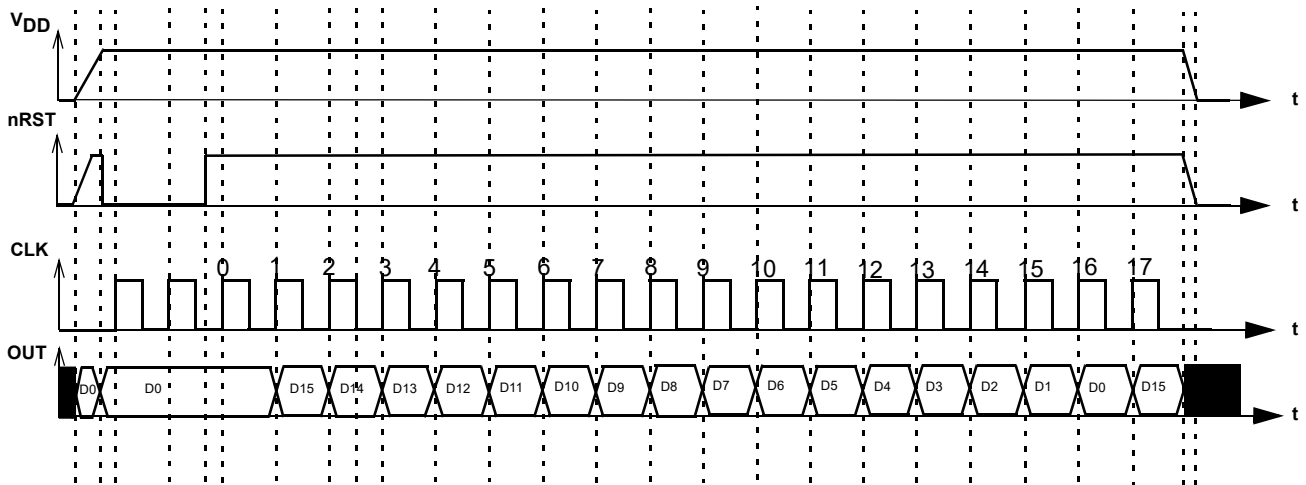


Figure 20: PGen Timing Diagram

GreenPAK Programmable Mixed-Signal Matrix

7.2.1 2-Bit LUT or PGen Macrocell Used as 2-Bit LUT

Table 28: 2-bit LUT1 Truth Table

IN1	IN0	OUT	
0	0	register [1384]	LSB
0	1	register [1385]	
1	0	register [1386]	
1	1	register [1387]	MSB

This macrocell, when programmed for a LUT function, uses a 4-bit register to define their output function:

2-Bit LUT3 is defined by registers [1387:1384]

Table 28 shows the register bits for the standard digital logic devices (AND, NAND, OR, NOR, XOR, XNOR) that can be created within each of the 2-bit LUT logic cells.

Table 29: 2-bit LUT Standard Digital Functions

Function	MSB			LSB
AND-2	1	0	0	0
NAND-2	0	1	1	1
OR-2	1	1	1	0
NOR-2	0	0	0	1
XOR-2	0	1	1	0
XNOR-2	1	0	0	1

7.3 3-BIT LUT OR D FLIP-FLOP WITH SET/RESET MACROCELLS

There are nine macrocells that can serve as either 3-bit LUTs or as D Flip-Flops with Set/Reset inputs. When used to implement LUT functions, the 3-bit LUTs each take in three input signals from the connection matrix and produce a single output, which goes back into the connection matrix. When used to implement D Flip-Flop function, the three input signals from the connection matrix go to the data (D) and clock (CLK), and Reset/Set (nRST/nSET) inputs for the Flip-Flop, with the output going back to the connection matrix. It is possible to define the active level for the reset/set input of DFF/LATCH macrocell. There are both active high level reset/set (RST/SET) and active low level reset/set (nRST/nSET) options available which are selected by register [1445].

DFF3 operation will flow the functional description below:

- If register [1443] = 0, and the CLK is rising edge triggered, then Q=D, otherwise Q will not change.
- If register [1443] = 1, then data from D is written into the DFF by the rising edge on CLK and output to Q by the falling edge on CLK.

GreenPAK Programmable Mixed-Signal Matrix

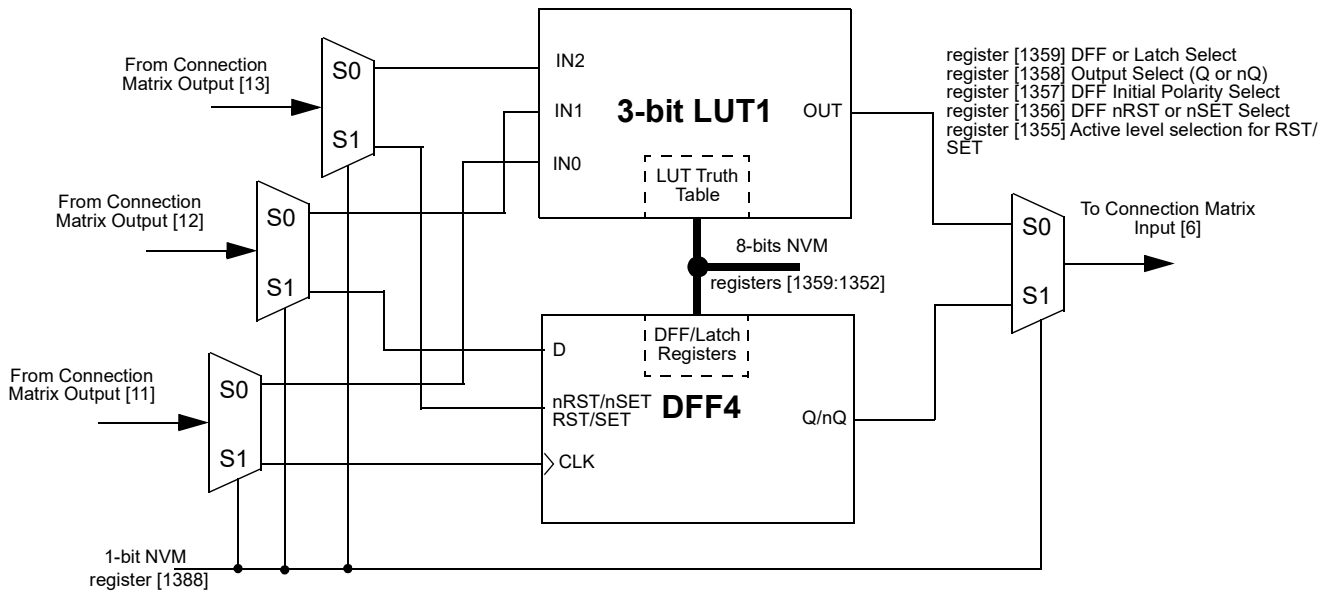


Figure 22: 3-bit LUT1 or DFF4

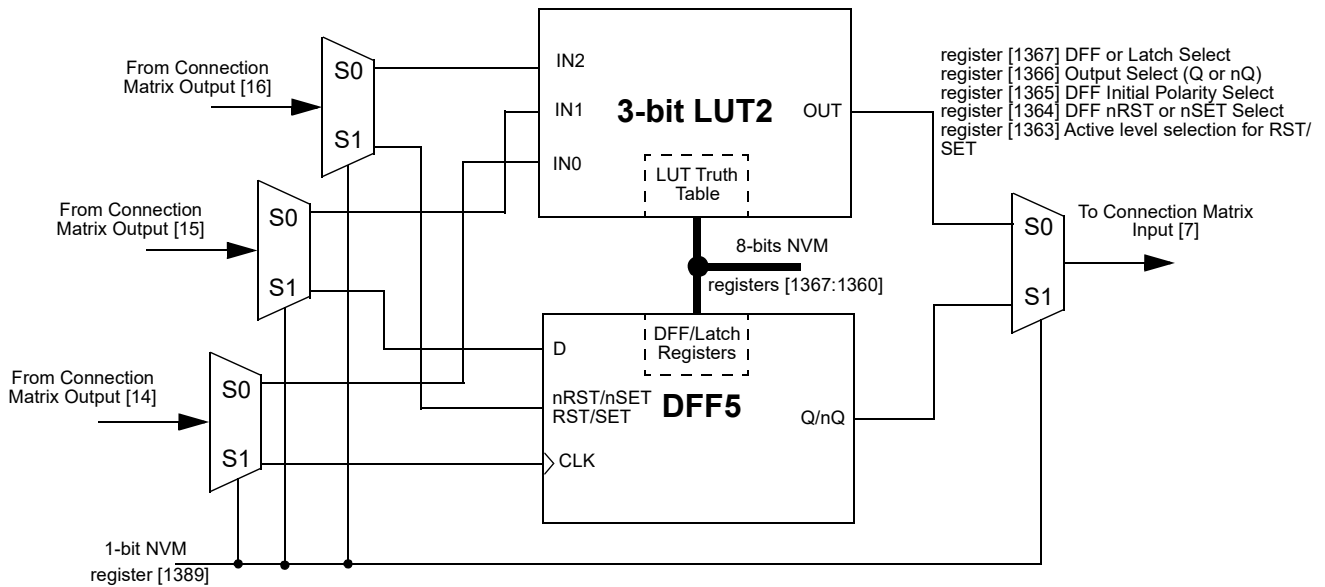


Figure 23: 3-bit LUT2 or DFF5

GreenPAK Programmable Mixed-Signal Matrix

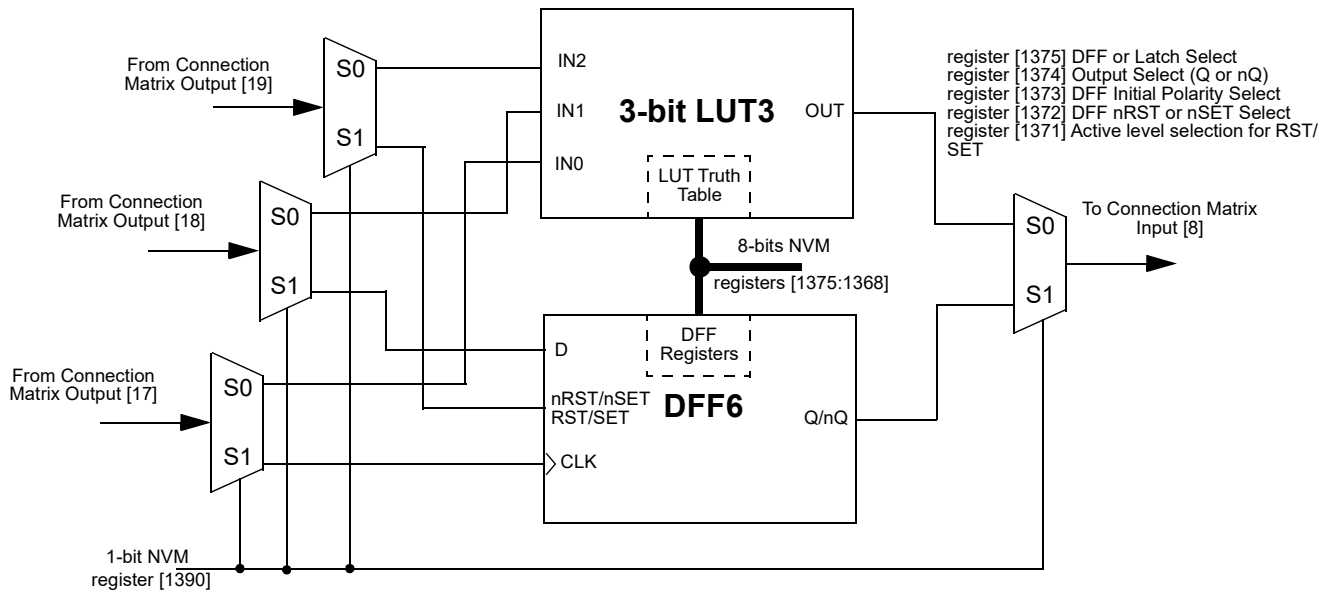


Figure 24: 3-bit LUT3 or DFF6

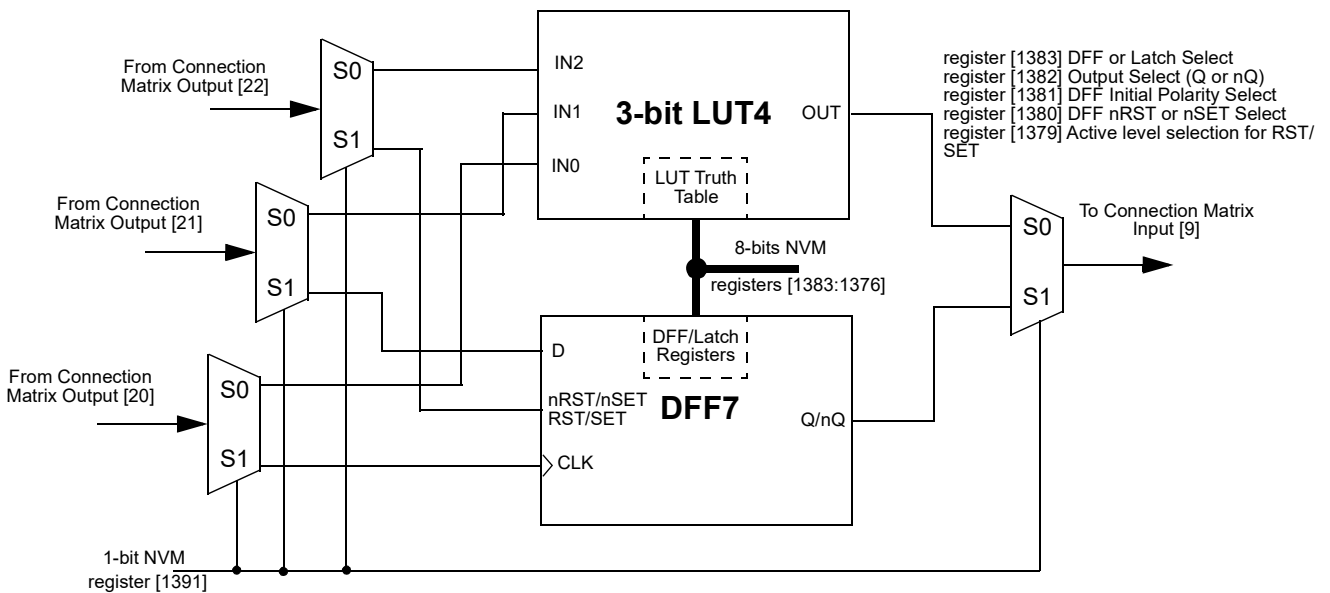


Figure 25: 3-bit LUT4 or DFF7

GreenPAK Programmable Mixed-Signal Matrix

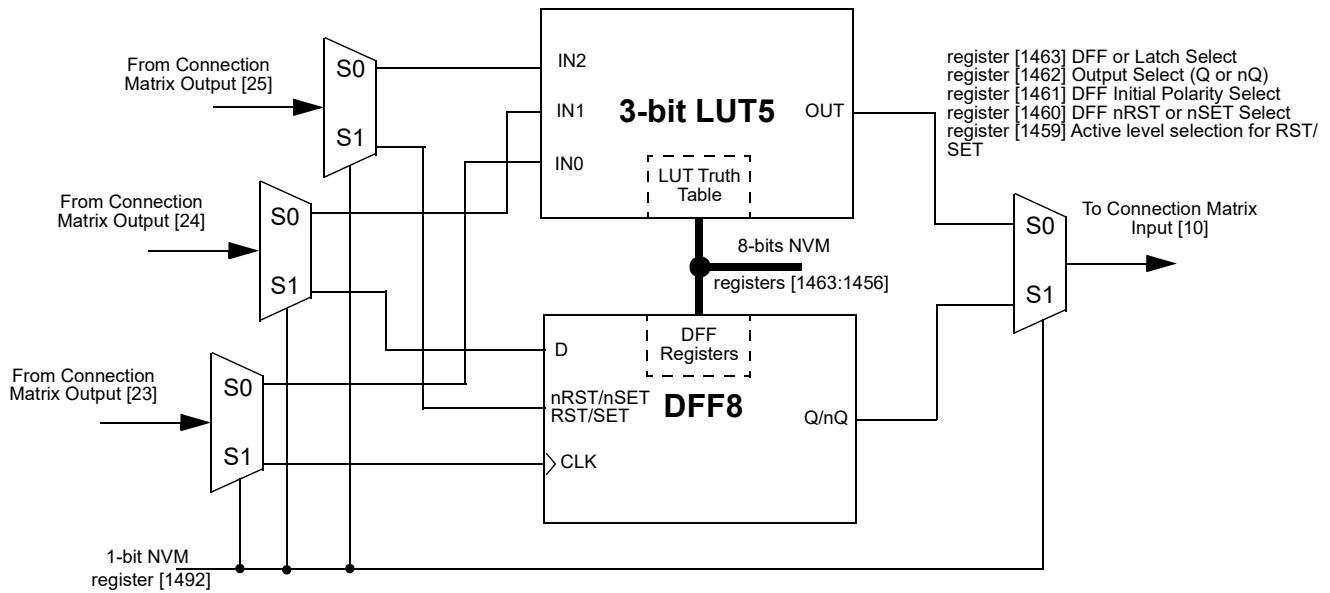


Figure 26: 3-bit LUT5 or DFF8

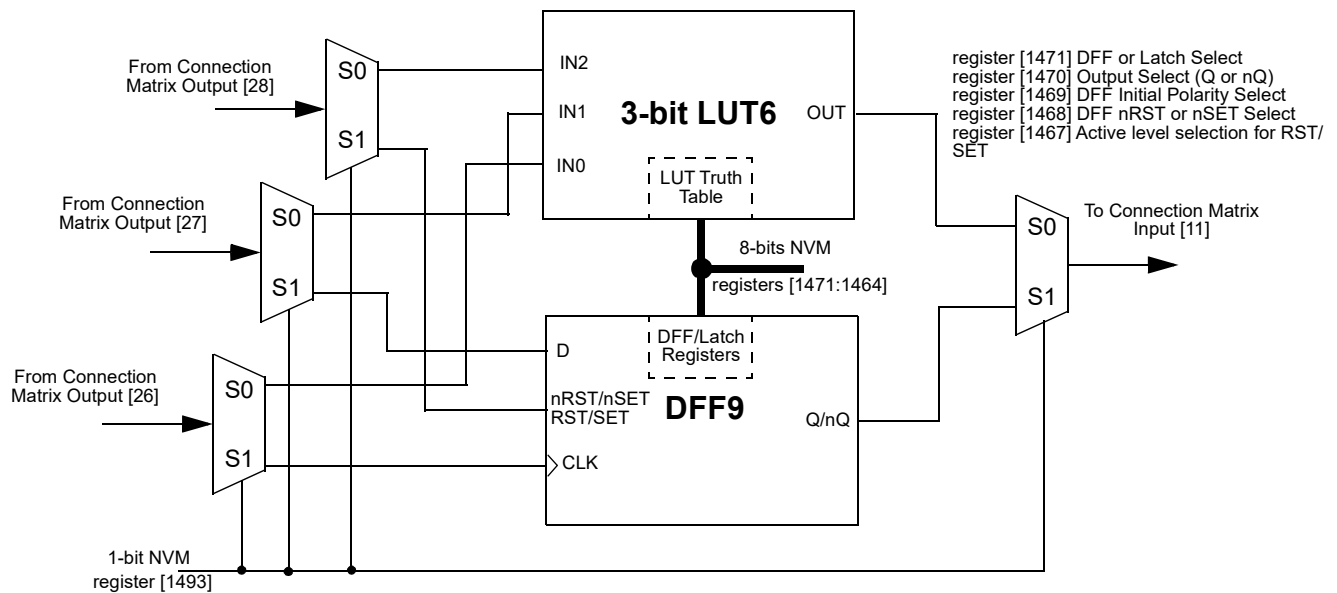


Figure 27: 3-bit LUT6 or DFF9

GreenPAK Programmable Mixed-Signal Matrix

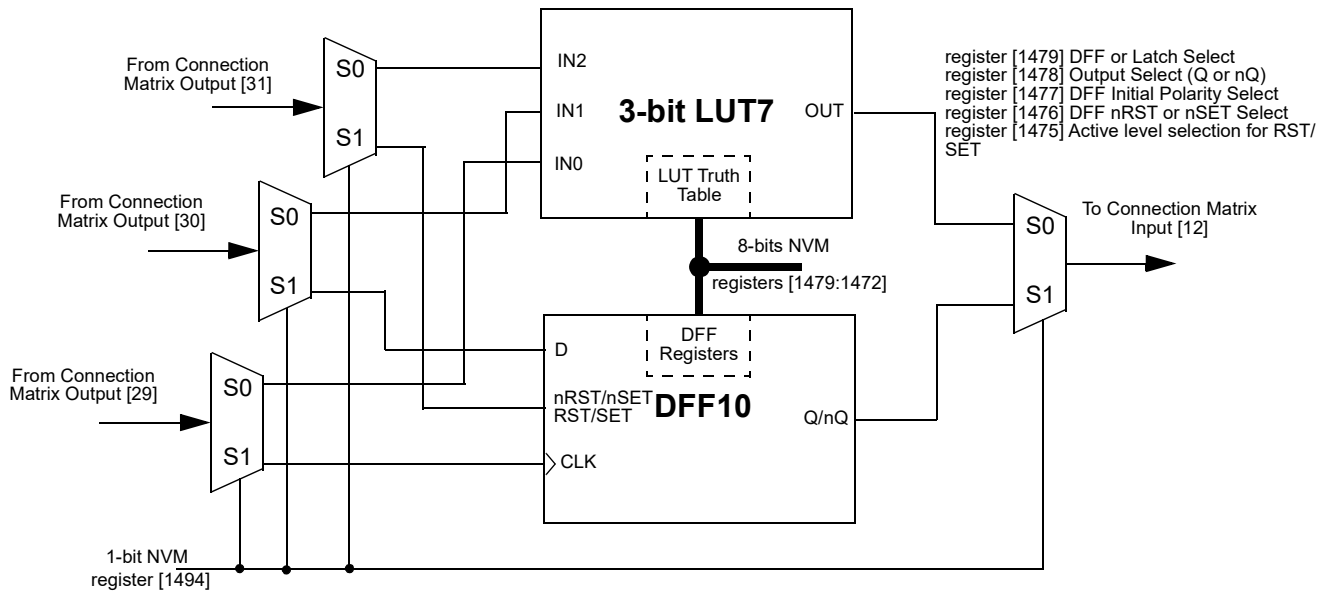


Figure 28: 3-bit LUT7 or DFF10

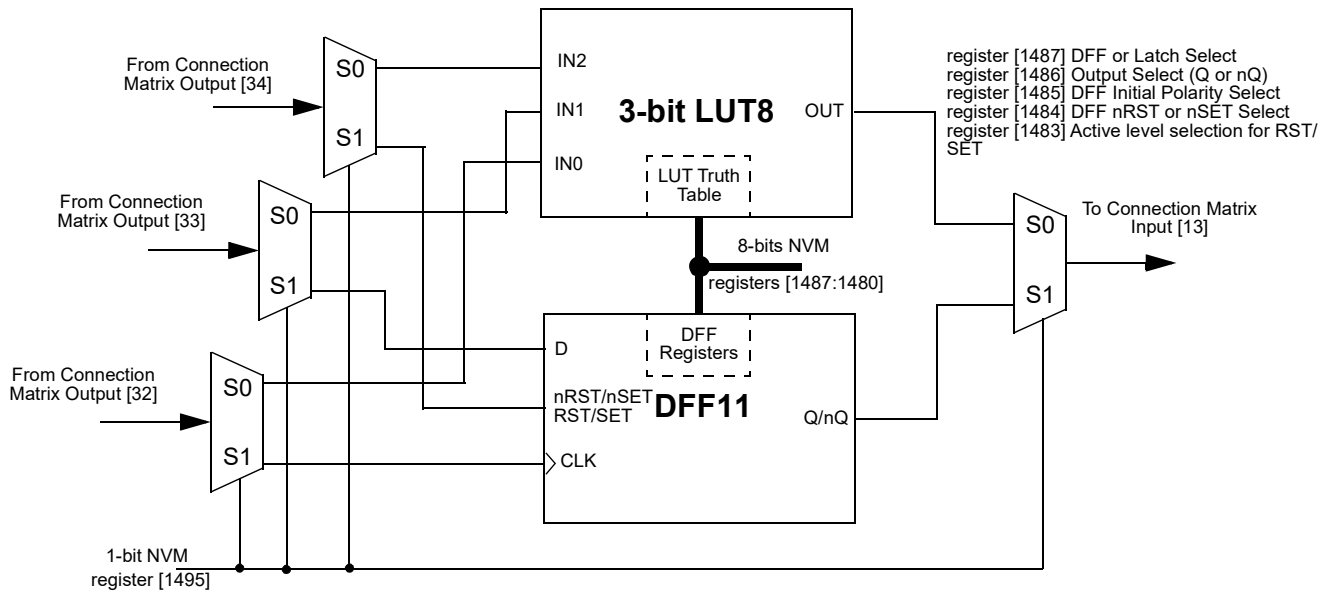


Figure 29: 3-bit LUT8 or DFF11

GreenPAK Programmable Mixed-Signal Matrix

7.3.1 3-Bit LUT or D Flip-Flop Macrocells Used as 3-Bit LUTs

Table 30: 3-bit LUT0 Truth Table

IN2	IN1	IN0	OUT	
0	0	0	register [1440]	LSB
0	0	1	register [1441]	
0	1	0	register [1442]	
0	1	1	register [1443]	
1	0	0	register [1444]	
1	0	1	register [1445]	
1	1	0	register [1446]	
1	1	1	register [1447]	MSB

Table 31: 3-bit LUT1 Truth Table

IN2	IN1	IN0	OUT	
0	0	0	register [1352]	LSB
0	0	1	register [1353]	
0	1	0	register [1354]	
0	1	1	register [1355]	
1	0	0	register [1356]	
1	0	1	register [1357]	
1	1	0	register [1358]	
1	1	1	register [1359]	MSB

Table 32: 3-bit LUT2 Truth Table

IN2	IN1	IN0	OUT	
0	0	0	register [1360]	LSB
0	0	1	register [1361]	
0	1	0	register [1362]	
0	1	1	register [1363]	
1	0	0	register [1364]	
1	0	1	register [1365]	
1	1	0	register [1366]	
1	1	1	register [1367]	MSB

Table 33: 3-bit LUT3 Truth Table

IN2	IN1	IN0	OUT	
0	0	0	register [1368]	LSB
0	0	1	register [1369]	
0	1	0	register [1370]	
0	1	1	register [1371]	
1	0	0	register [1372]	
1	0	1	register [1373]	
1	1	0	register [1374]	
1	1	1	register [1375]	MSB

Table 34: 3-bit LUT4 Truth Table

IN2	IN1	IN0	OUT	
0	0	0	register [1376]	LSB
0	0	1	register [1377]	
0	1	0	register [1378]	
0	1	1	register [1379]	
1	0	0	register [1380]	
1	0	1	register [1381]	
1	1	0	register [1382]	
1	1	1	register [1383]	MSB

Table 35: 3-bit LUT5 Truth Table

IN2	IN1	IN0	OUT	
0	0	0	register [1356]	LSB
0	0	1	register [1357]	
0	1	0	register [1358]	
0	1	1	register [1359]	
1	0	0	register [1360]	
1	0	1	register [1361]	
1	1	0	register [1362]	
1	1	1	register [1363]	MSB

Table 36: 3-bit LUT6 Truth Table

IN2	IN1	IN0	OUT	
0	0	0	register [1364]	LSB
0	0	1	register [1365]	
0	1	0	register [1366]	
0	1	1	register [1367]	
1	0	0	register [1368]	
1	0	1	register [1369]	
1	1	0	register [1370]	
1	1	1	register [1371]	MSB

Table 37: 3-bit LUT7 Truth Table

IN2	IN1	IN0	OUT	
0	0	0	register [1472]	LSB
0	0	1	register [1473]	
0	1	0	register [1474]	
0	1	1	register [1475]	
1	0	0	register [1476]	
1	0	1	register [1477]	
1	1	0	register [1478]	
1	1	1	register [1479]	MSB

GreenPAK Programmable Mixed-Signal Matrix

Table 38: 3-bit LUT8 Truth Table

IN2	IN1	IN0	OUT	
0	0	0	register [1480]	LSB
0	0	1	register [1481]	
0	1	0	register [1482]	
0	1	1	register [1483]	
1	0	0	register [1484]	
1	0	1	register [1485]	
1	1	0	register [1486]	
1	1	1	register [1487]	MSB

Each macrocell, when programmed for a LUT function, uses a 8-bit register to define their output function:

3-Bit LUT0 is defined by registers [1447:1440]

3-Bit LUT1 is defined by registers [1359:1352]

3-Bit LUT2 is defined by registers [1367:1360]

3-Bit LUT3 is defined by registers [1375:1368]

3-Bit LUT4 is defined by registers [1383:1376]

3-Bit LUT5 is defined by registers [1463:1456]

3-Bit LUT6 is defined by registers [1471:1464]

3-Bit LUT7 is defined by registers [1479:1472]

3-Bit LUT8 is defined by registers [1487:1480]

Table 38 shows the register bits for the standard digital logic devices (AND, NAND, OR, NOR, XOR, XNOR) that can be created within each of the four 3-bit LUT logic cells.

Table 39: 3-bit LUT Standard Digital Functions

Function	MSB							LSB
AND-3	1	0	0	0	0	0	0	0
NAND-3	0	1	1	1	1	1	1	1
OR-3	1	1	1	1	1	1	1	0
NOR-3	0	0	0	0	0	0	0	1
XOR-3	1	0	0	1	0	1	1	0
XNOR-3	0	1	1	0	1	0	0	1

7.3.2 Initial Polarity Operations

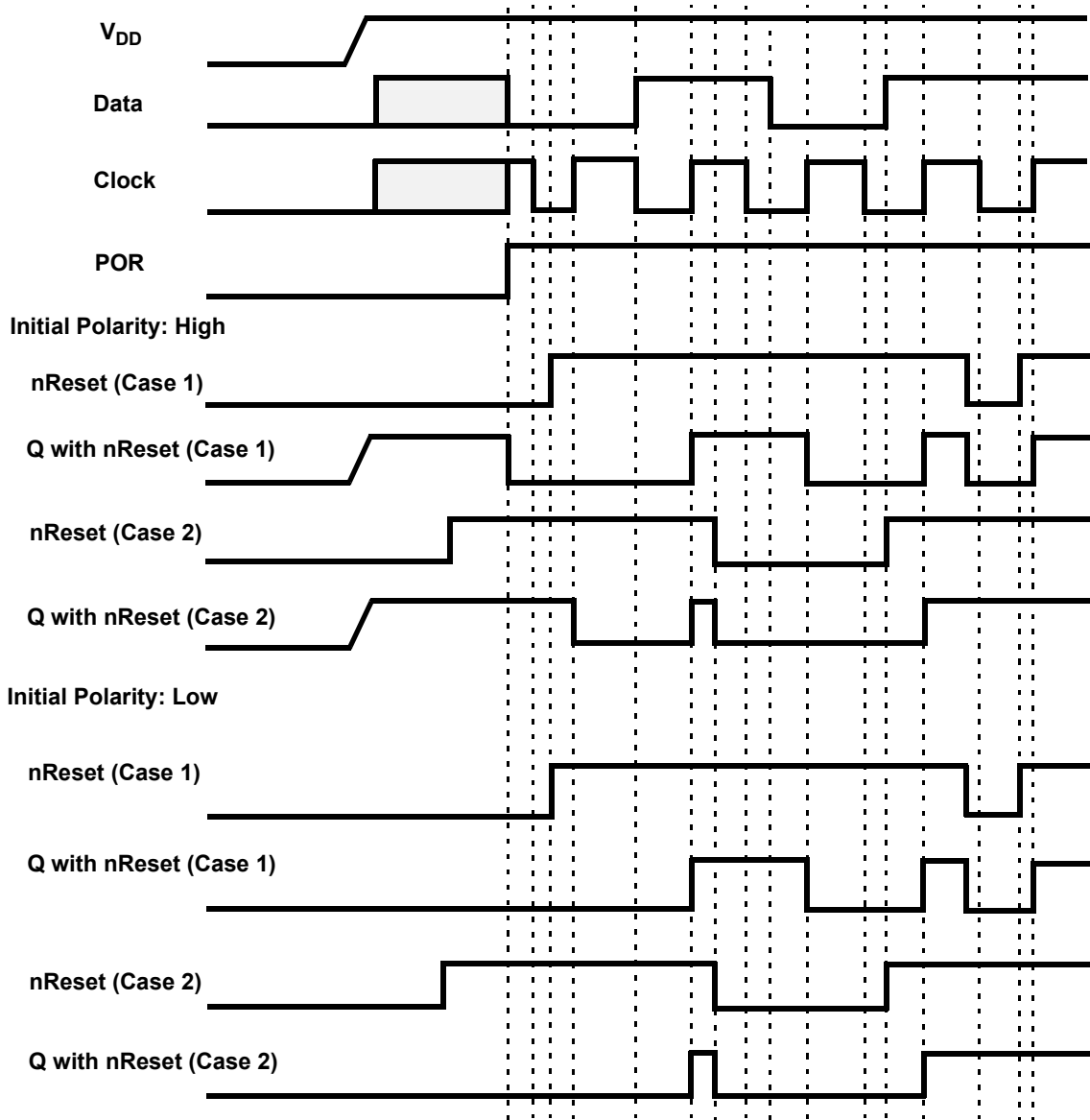


Figure 30: DFF Polarity Operations with nReset

GreenPAK Programmable Mixed-Signal Matrix

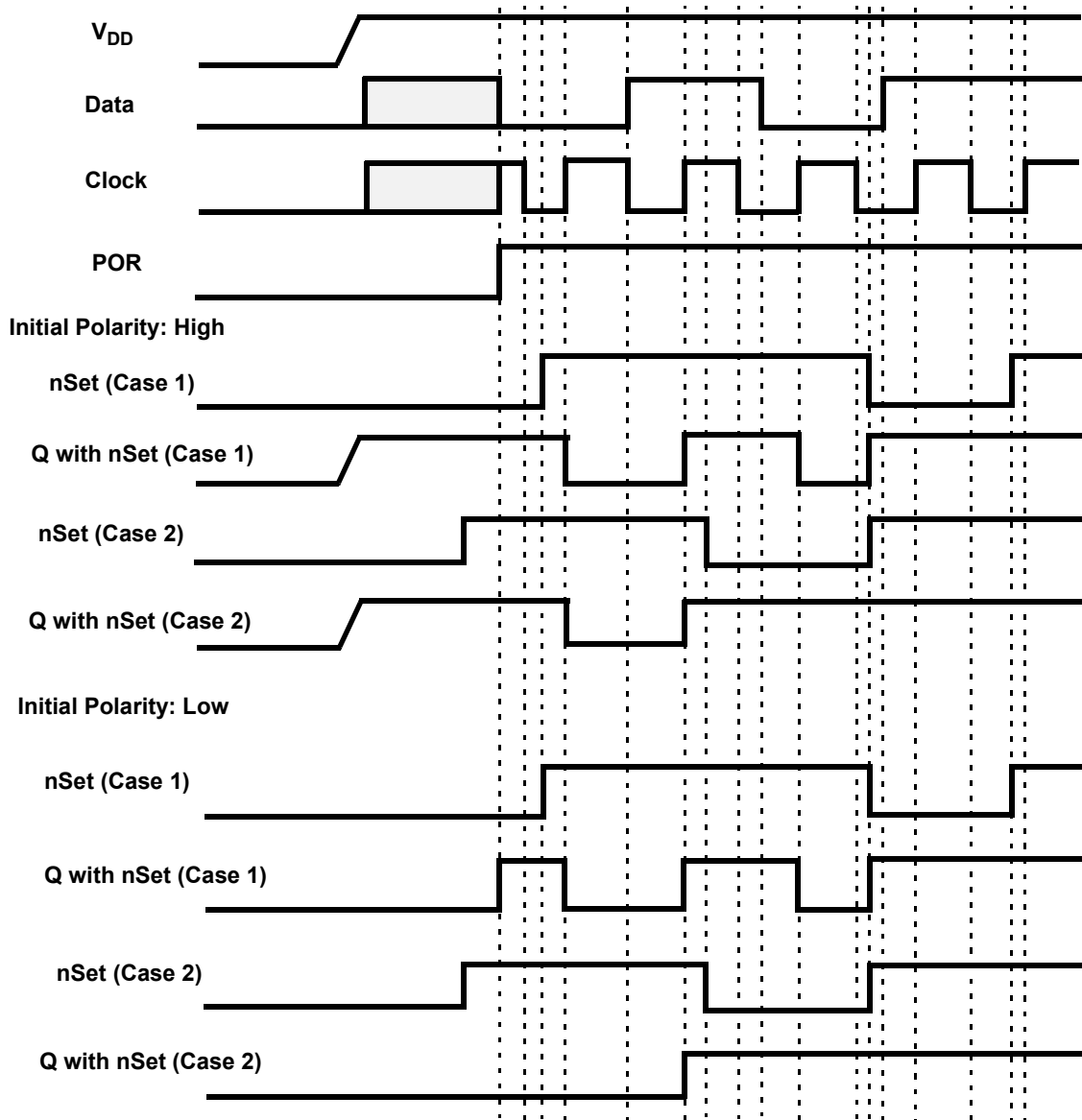


Figure 31: DFF Polarity Operations with nSet

7.4 4-BIT LUT OR D FLIP-FLOP WITH SET/RESET MACROCELL

There is one macrocell that can serve as either a 4-bit LUT or as a D Flip-Flop with Set/Reset inputs. When used to implement LUT functions, the 4-bit LUT takes in four input signals from the connection matrix and produce a single output, which goes back into the connection matrix. When used to implement D Flip-Flop function, the input signals from the connection matrix go to the data (D) and clock (CLK), and Reset/Set (nRST/nSET) inputs for the Flip-Flop, with the output going back to the connection matrix.

- If register [1436] = 0, and the CLK is rising edge triggered, then $Q = D$, otherwise Q will not change.
- If register [1436] = 1, then data from D is written into the DFF by the rising edge on CLK and output to Q by the falling edge on CLK.

It is possible to define the active level for the reset/set input of DFF/LATCH macrocell. There are both active high level reset/set (RST/SET) and active low level reset/set (nRST/nSET) options available which are selected by register [1434].

GreenPAK Programmable Mixed-Signal Matrix

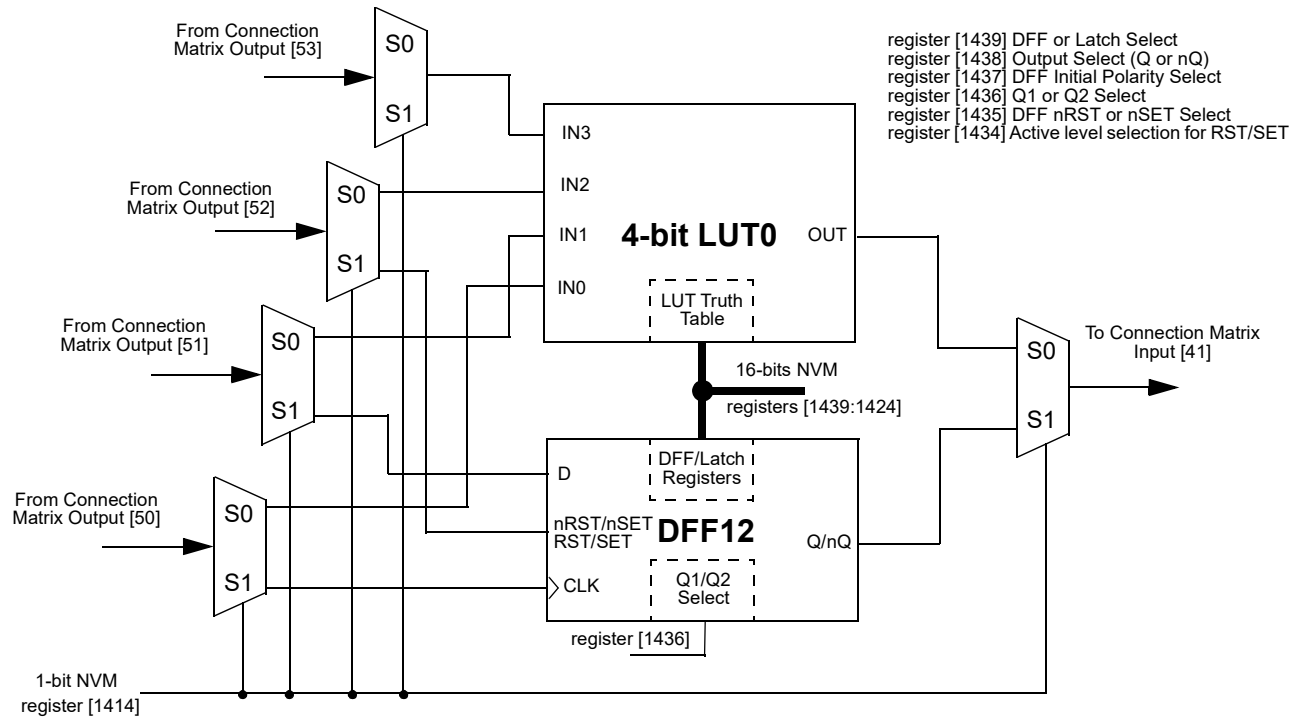


Figure 32: 4-bit LUT0 or DFF12

7.4.1 4-Bit LUT Macrocell Used as 4-Bit LUT

Table 40: 4-bit LUT0 Truth Table

IN3	IN2	IN1	IN0	OUT	
0	0	0	0	register [1424]	LSB
0	0	0	1	register [1425]	
0	0	1	0	register [1426]	
0	0	1	1	register [1427]	
0	1	0	0	register [1428]	
0	1	0	1	register [1429]	
0	1	1	0	register [1430]	
0	1	1	1	register [1431]	
1	0	0	0	register [1432]	
1	0	0	1	register [1433]	
1	0	1	0	register [1434]	
1	0	1	1	register [1435]	
1	1	0	0	register [1436]	
1	1	0	1	register [1437]	
1	1	1	0	register [1438]	
1	1	1	1	register [1439]	MSB

GreenPAK Programmable Mixed-Signal Matrix

This macrocell, when programmed for a LUT function, uses a 16-bit register to define their output function:

4-Bit LUT0 is defined by registers [1439:1424]

Table 41: 4-bit LUT Standard Digital Functions

Function	MSB															LSB
AND-4	1	0	0	0	0	0	0	0	0	0	0	0	0	0	0	0
NAND-4	0	1	1	1	1	1	1	1	1	1	1	1	1	1	1	1
OR-4	1	1	1	1	1	1	1	1	1	1	1	1	1	1	1	0
NOR-4	0	0	0	0	0	0	0	0	0	0	0	0	0	0	0	1
XOR-4	0	1	1	0	1	0	0	1	1	0	0	1	0	1	1	0
XNOR-4	1	0	0	1	0	1	1	0	0	1	1	0	1	0	0	1

7.5 3-BIT LUT OR PIPE DELAY/RIPPLE COUNTER MACROCELL

There is one macrocell that can serve as either a 3-bit LUT or as a Pipe Delay/Ripple Counter.

When used to implement LUT functions, the 3-bit LUT takes in three input signals from the connection matrix and produces a single output, which goes back into the connection matrix.

When used as a Pipe Delay, there are three inputs signals from the matrix, Input (IN), Clock (CLK), and Reset (nRST). The Pipe Delay cell is built from 16 D Flip-Flop logic cells that provide the three delay options, two of which are user selectable. The DFF cells are tied in series where the output (Q) of each delay cell goes to the next DFF cell input (IN). Both of the two outputs (OUT0 and OUT1) provide user selectable options for 1 – 16 stages of delay. There are delay output points for each set of the OUT0 and OUT1 outputs to a 4-input mux that is controlled by registers [1419:1416] for OUT0 and registers [1423:1420] for OUT1. The 4-input mux is used to control the selection of the amount of delay.

The overall time of the delay is based on the clock used in the SLG46855 design. Each DFF cell has a time delay of the inverse of the clock time (either external clock or the internal Oscillator within the SLG46855). The sum of the number of DFF cells used will be the total time delay of the Pipe Delay logic cell. OUT1 Output can be inverted (as selected by register [1413]).

In the Ripple Counter mode there are 3 options for setting which use 7 bits. There are 3 bits to set **nSET value (SV)** in range from 0 to 7. This value will be set into the Ripple Counter outputs when nSET input goes LOW. **End value (EV)** will use 3 bits for setting output code, which will be last code in the cycle. After reaching the EV, the Ripple Counter goes to the first code by the rising edge on CLK input. The **Functionality mode** option uses 1 bit. This setting defines how exactly Ripple Counter will operate.

The user can select one of the functionality modes by register: RANGE or FULL. If the RANGE option is selected, the count starts from SV. If UP input is LOW the count goes down: SV→EV→EV-1 to SV+1→SV, and others (if SV is smaller than EV), or SV→SV-1 to EV+1→EV→SV (if SV is bigger than EV). If UP input is HIGH, count starts from SV up to EV, and others.

In the FULL range configuration the Ripple Counter functions as follows. If UP input is LOW, the count starts from SV and goes down to 0. Then current counter value jumps to EV and goes down to 0, and others.

If UP input is HIGH, count goes up starting from SV. Then current counter value jumps to 0 and counts up to EV, and others. See Ripple Counter functionality example in [Figure 34](#).

Every step is executed by the rising edge on CLK input.

GreenPAK Programmable Mixed-Signal Matrix

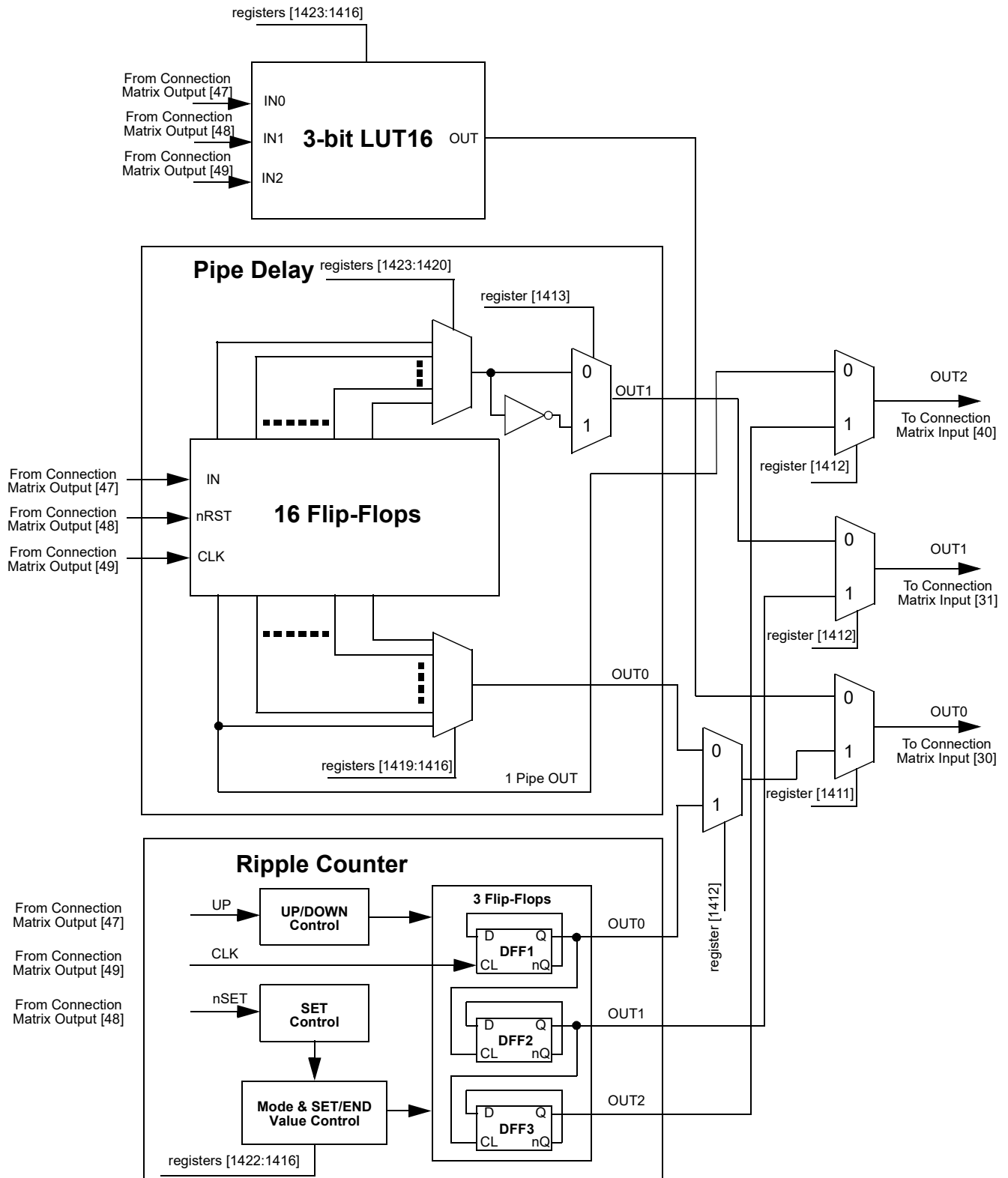


Figure 33: 3-bit LUT16/Pipe Delay/Ripple Counter

GreenPAK Programmable Mixed-Signal Matrix

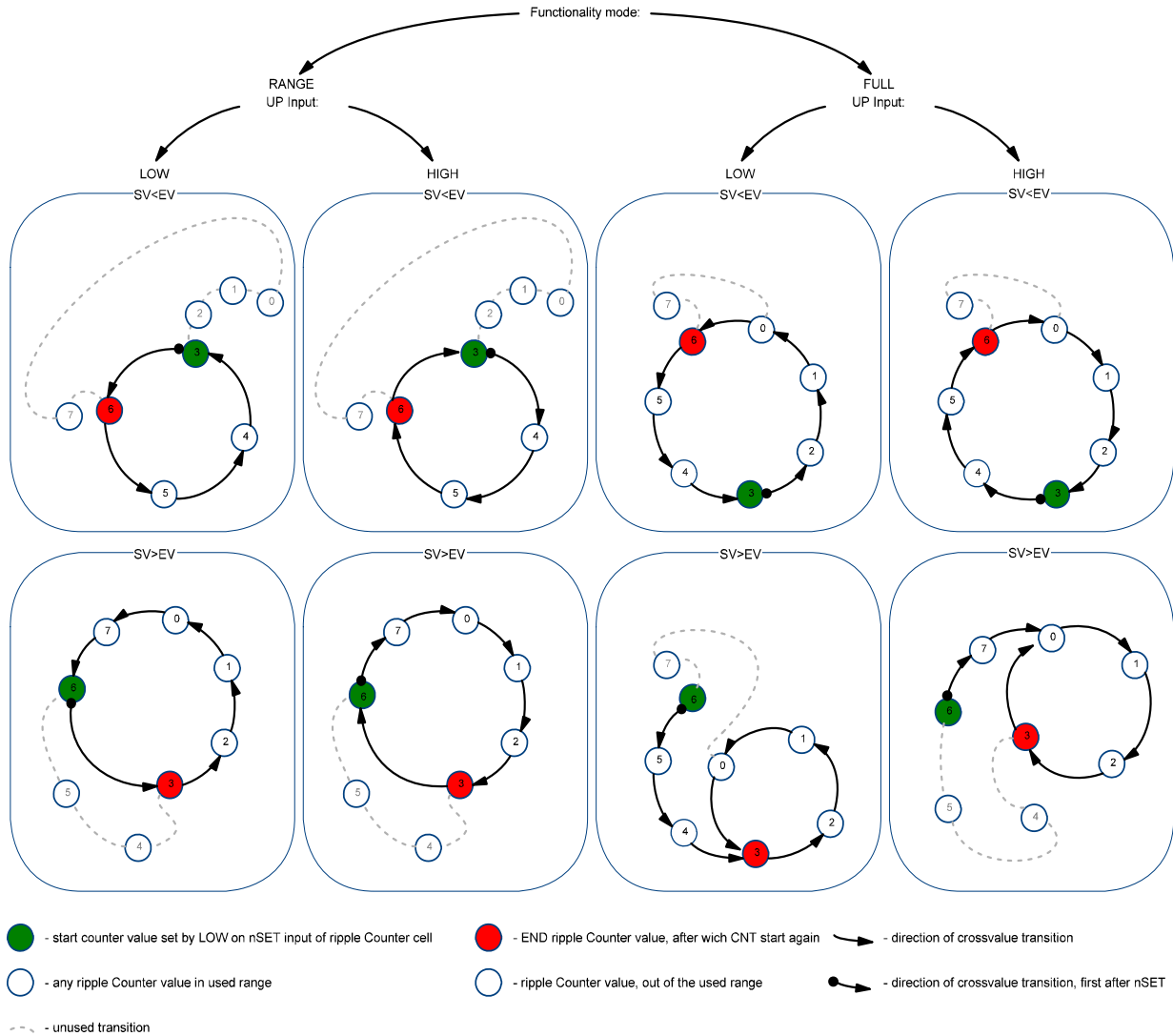


Figure 34: Example: Ripple Counter Functionality

GreenPAK Programmable Mixed-Signal Matrix

7.5.1 3-Bit LUT or Pipe Delay Macrocells Used as 3-Bit LUT

Table 42: 3-bit LUT16 Truth Table

IN2	IN1	IN0	OUT
0	0	0	register [1416]
0	0	1	register [1417]
0	1	0	register [1418]
0	1	1	register [1419]
1	0	0	register [1420]
1	0	1	register [1421]
1	1	0	register [1422]
1	1	1	register [1423]

Each macrocell, when programmed for a LUT function, uses a 8-bit register to define their output function:

3-Bit LUT16 is defined by registers [1423:1416]

GreenPAK Programmable Mixed-Signal Matrix

8 Multi-Function Macrocells

The SLG46855 has 8 Multi-Function macrocells that can serve more than one logic or timing function. In each case, they can serve as a LUT, DFF with flexible settings, or as CNT/DLY with multiple modes such as One Shot, Frequency Detect, Edge Detect, and others. Also, the macrocell is capable to combine those functions: LUT/DFF connected to CNT/DLY or CNT/DLY connected to LUT/DFF, see [Figure 35](#).

See the list below for the functions that can be implemented in these macrocells:

- Seven macrocells that can serve as 3-bit LUTs/D Flip-Flops and as 8-Bit Counter/Delays
- One macrocell that can serve as a 4-bit LUT/D Flip-Flop and as 16-Bit Counter/Delay/FSM

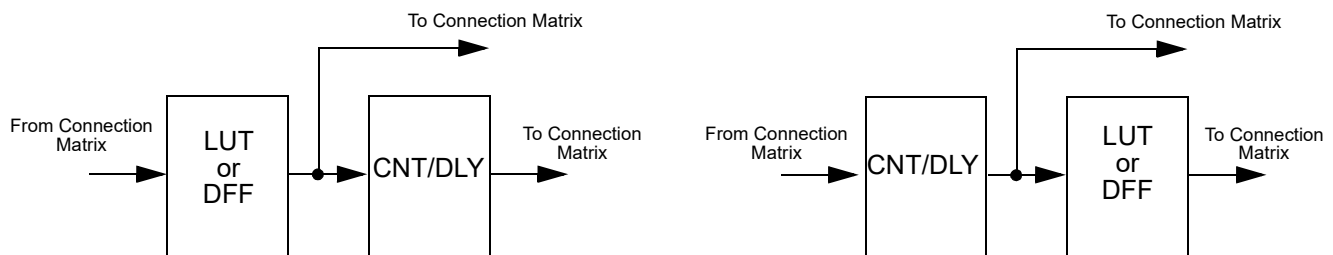


Figure 35: Possible Connections Inside Multi-Function Macrocell

Inputs/Outputs for the 8 Multi-Function function macrocells are configured from the connection matrix with specific logic functions being defined by the state of NVM bits.

When used as a LUT to implement combinatorial logic functions, the outputs of the LUTs can be configured to any user defined function, including the following standard digital logic devices (AND, NAND, OR, NOR, XOR, XNOR).

8.1 3-BIT LUT OR DFF/LATCH WITH 8-BIT COUNTER/DELAY MACROCELLS

There are seven macrocells that can serve as 3-bit LUTs/D Flip-Flops and as 8-Bit Counter/Delays.

When used to implement LUT functions, the 3-bit LUTs each take in three input signals from the connection matrix and produce a single output, which goes back into the connection matrix or can be connected to CNT/DLY's input.

When used to implement D Flip-Flop function, the three input signals from the connection matrix go to the data (D), clock (CLK), and Reset/Set (nRST/nSET) inputs of the Flip-Flop, with the output going back to the connection matrix or to the CNT/DLY's input.

When used to implement Counter/Delays, each macrocell has a dedicated matrix input connection. For flexibility, each of these macrocells has a large selection of internal and external clock sources, as well as the option to chain from the output of the previous (N-1) CNT/DLY macrocell, to implement longer count/delay circuits. These macrocells can also operate in a One-Shot mode, which will generate an output pulse of user-defined width. They can also operate in a Frequency Detection or Edge Detection mode.

Counter/Delay macrocell has an initial value, which define its initial value after GPAK is powered up. It is possible to select initial Low or initial High, as well as initial value defined by a Delay In signal.

For example, in case initial LOW option is used, the rising edge delay will start operation.

For timing diagrams refer to sections [7.1](#) and [8.3](#).

Note: After two DFF – counters initialize with counter data = 0 after POR.
 Initial state = 1 – counters initialize with counter data = 0 after POR.
 Initial state = 0 And After two DFF is bypass – counters initialize with counter data after POR.

GreenPAK Programmable Mixed-Signal Matrix

CNT6 and CNT7 current count value can be read via I²C. However, it is possible to change the counter data (value counter starts operating from) for any macrocell using I²C write commands. In this mode, it is possible to load count data immediately (after two DFF) or after counter ends counting. See Section 15.6.1 for further details.

8.1.1 3-Bit LUT or 8-Bit CNT/DLY Block Diagrams

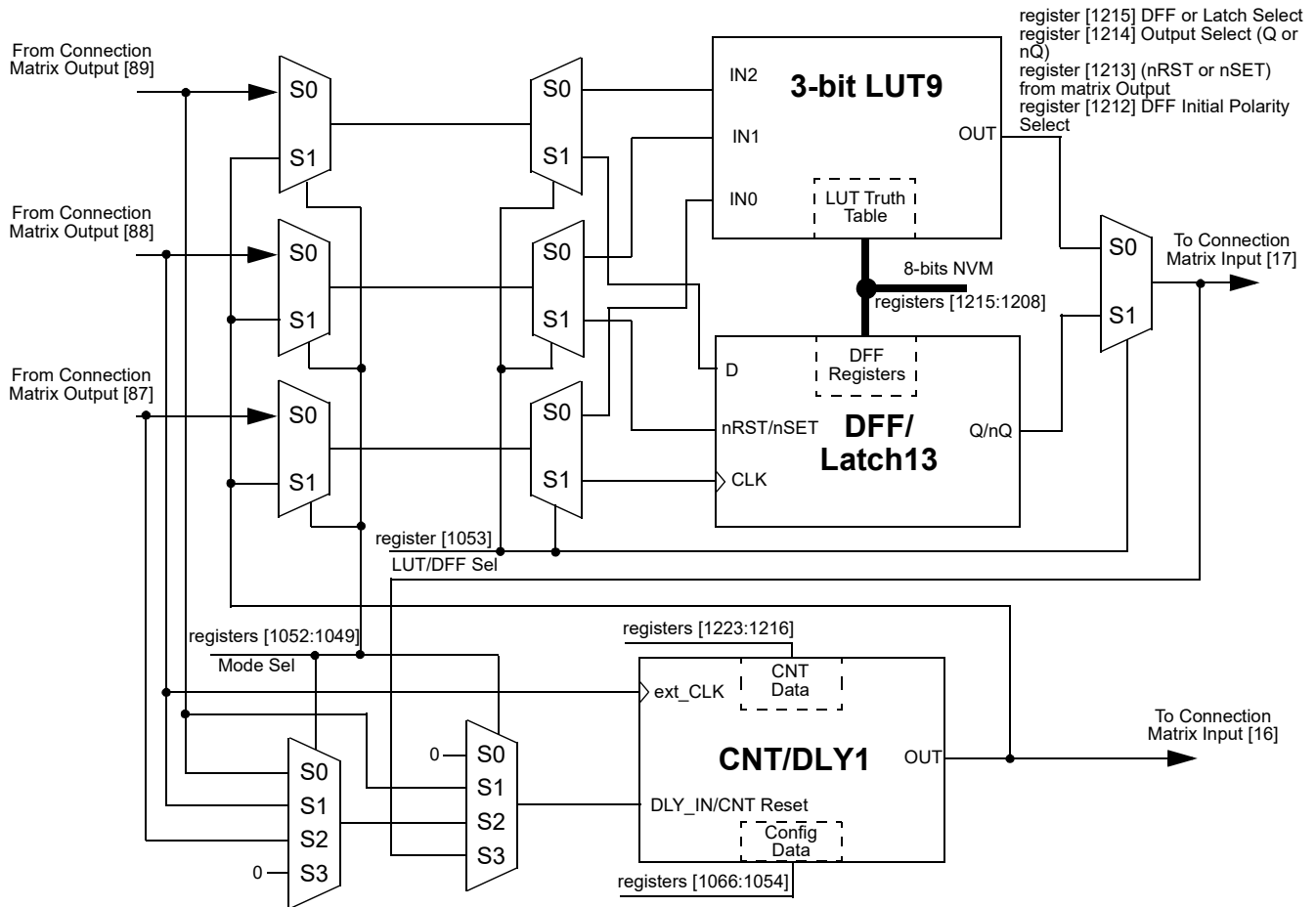


Figure 36: 8-bit Multi-Function Macrocells Block Diagram (3-bit LUT9/DFF13, CNT/DLY1)

GreenPAK Programmable Mixed-Signal Matrix

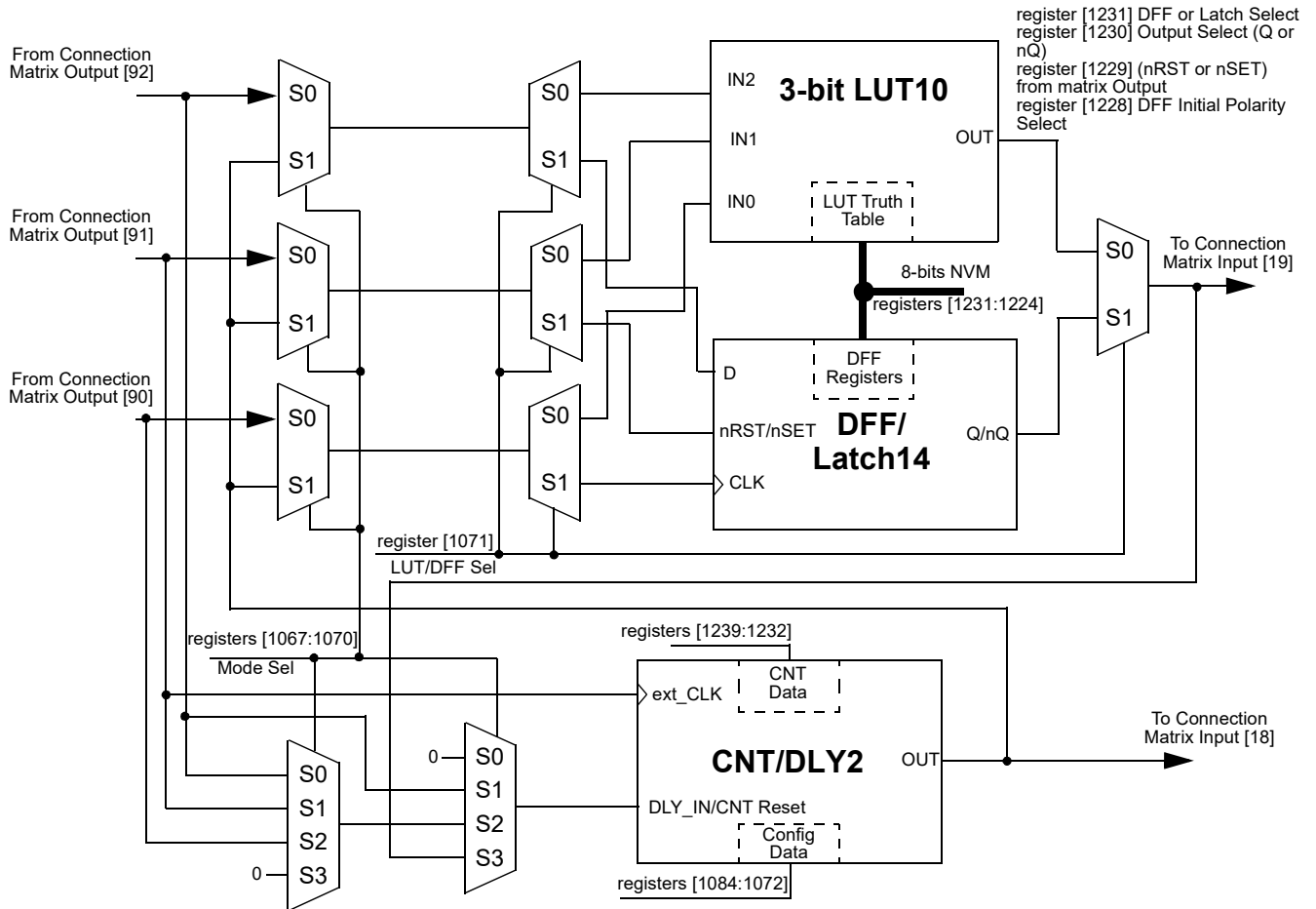


Figure 37: 8-bit Multi-Function Macrocells Block Diagram (3-bit LUT10/DFF14, CNT/DLY2)

GreenPAK Programmable Mixed-Signal Matrix

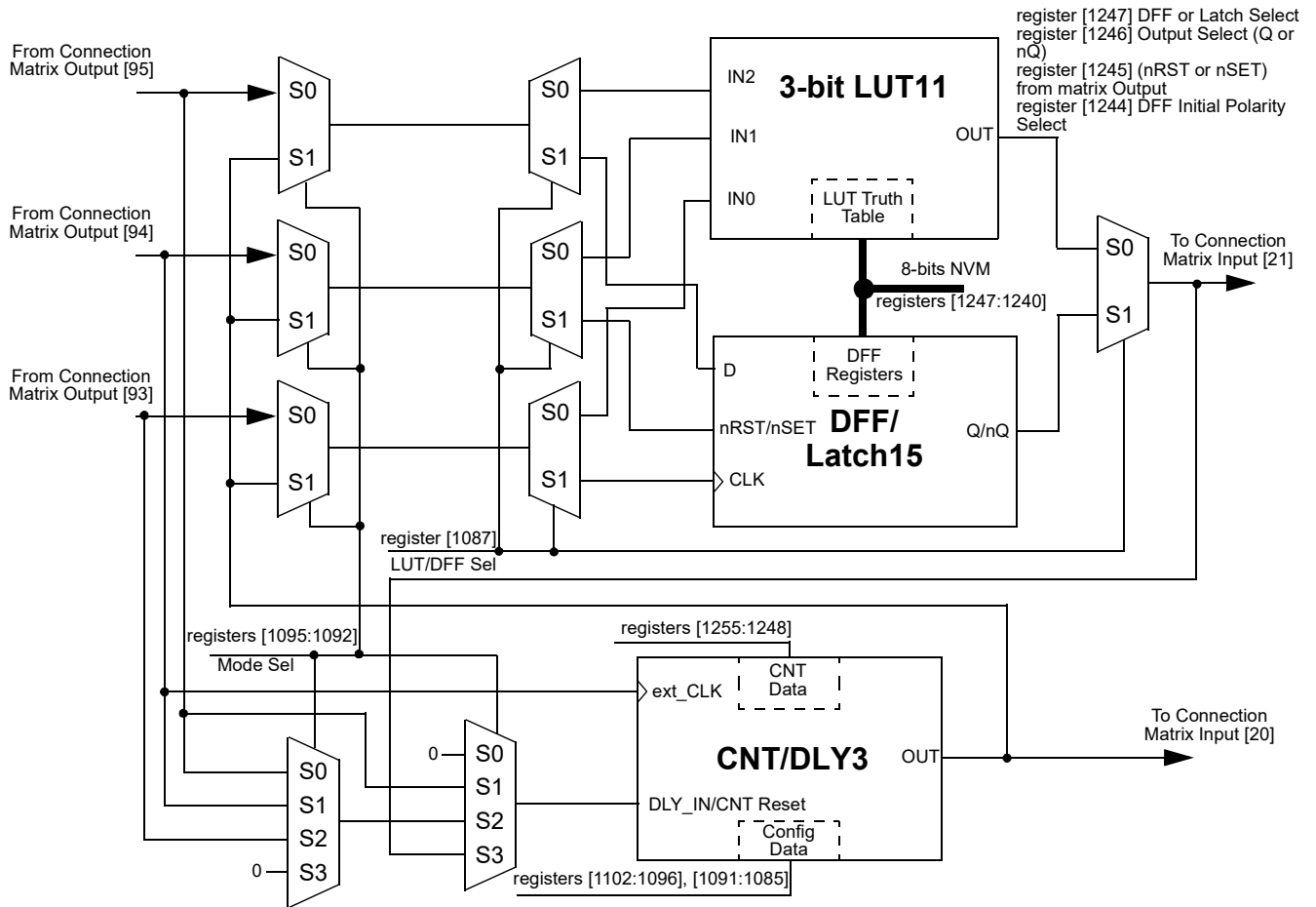


Figure 38: 8-bit Multi-Function Macrocells Block Diagram (3-bit LUT11/DFF15, CNT/DLY3)

GreenPAK Programmable Mixed-Signal Matrix

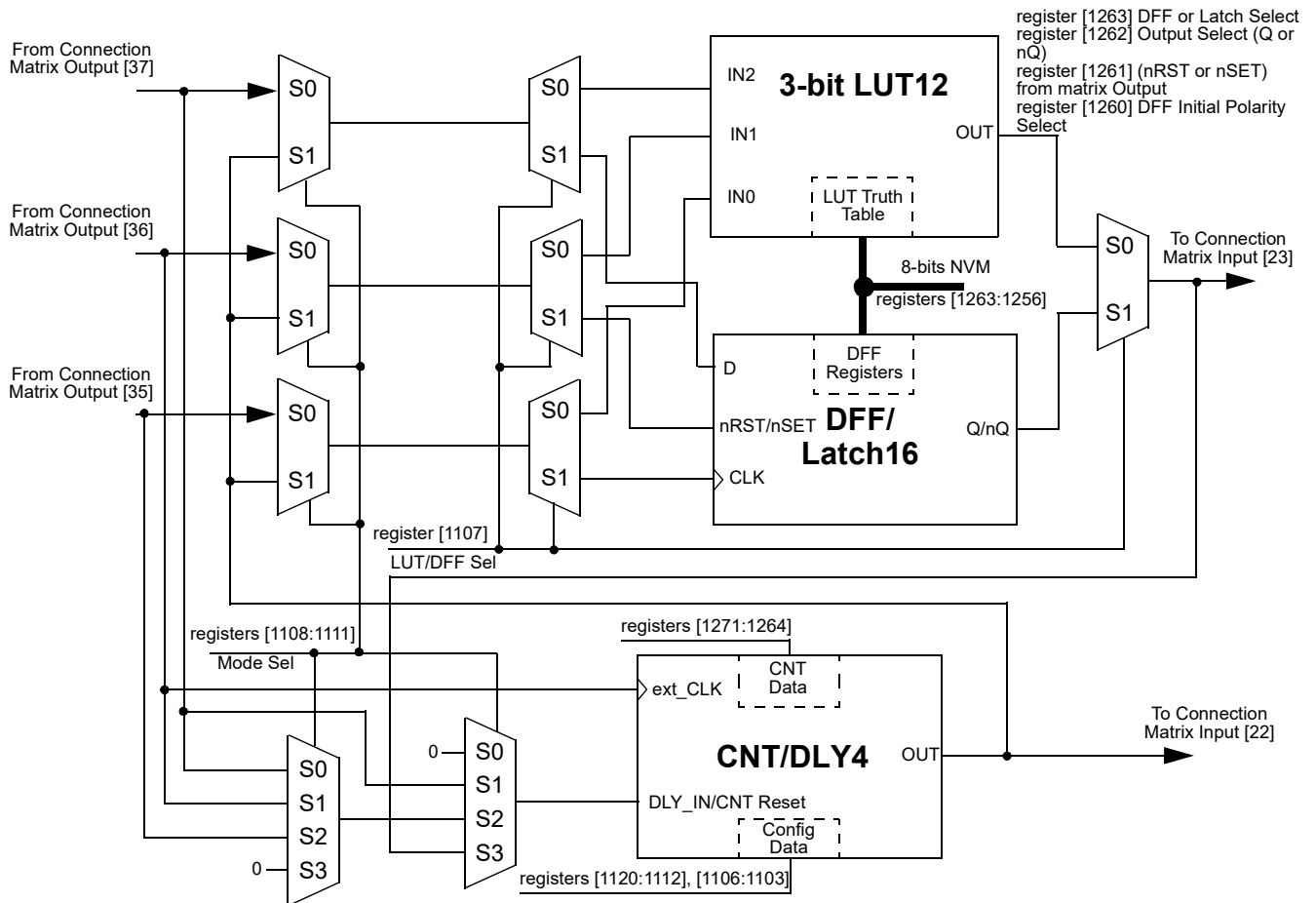


Figure 39: 8-bit Multi-Function Macrocells Block Diagram (3-bit LUT12/DFF16, CNT/DLY4)

GreenPAK Programmable Mixed-Signal Matrix

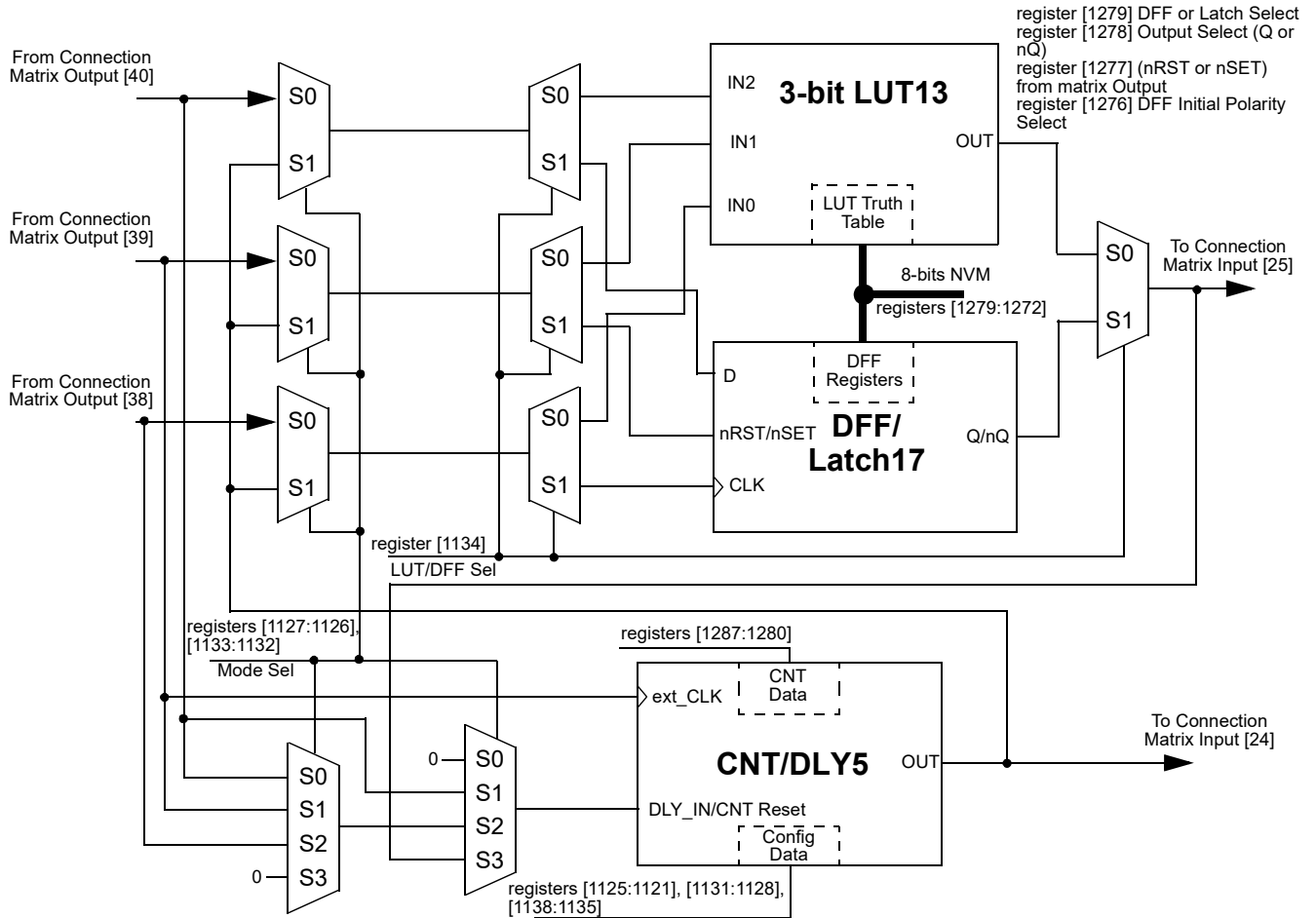


Figure 40: 8-bit Multi-Function Macrocells Block Diagram (3-bit LUT13/DFF17, CNT/DLY5)

GreenPAK Programmable Mixed-Signal Matrix

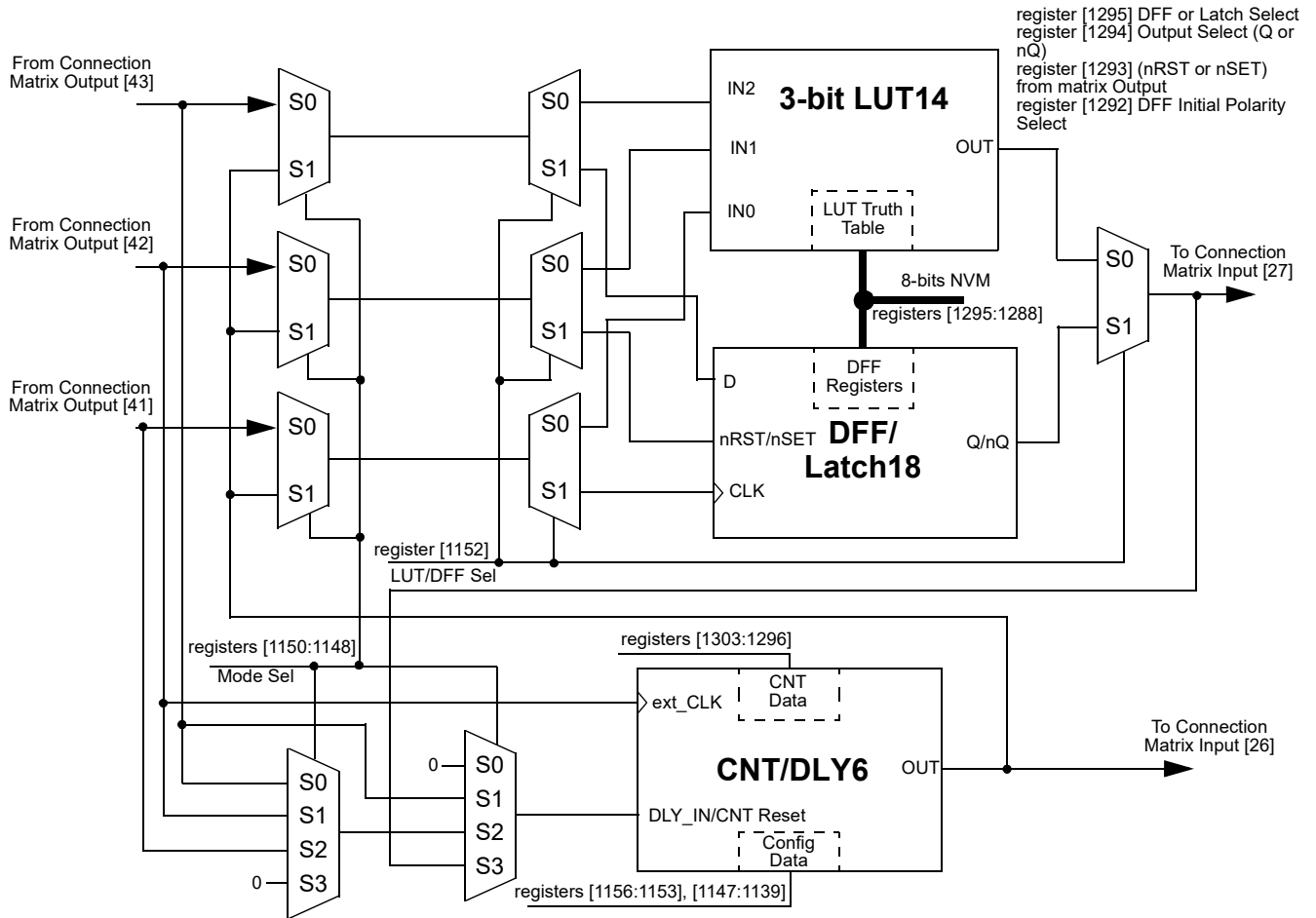


Figure 41: 8-bit Multi-Function Macrocells Block Diagram (3-bit LUT14/DFF18, CNT/DLY6)

GreenPAK Programmable Mixed-Signal Matrix

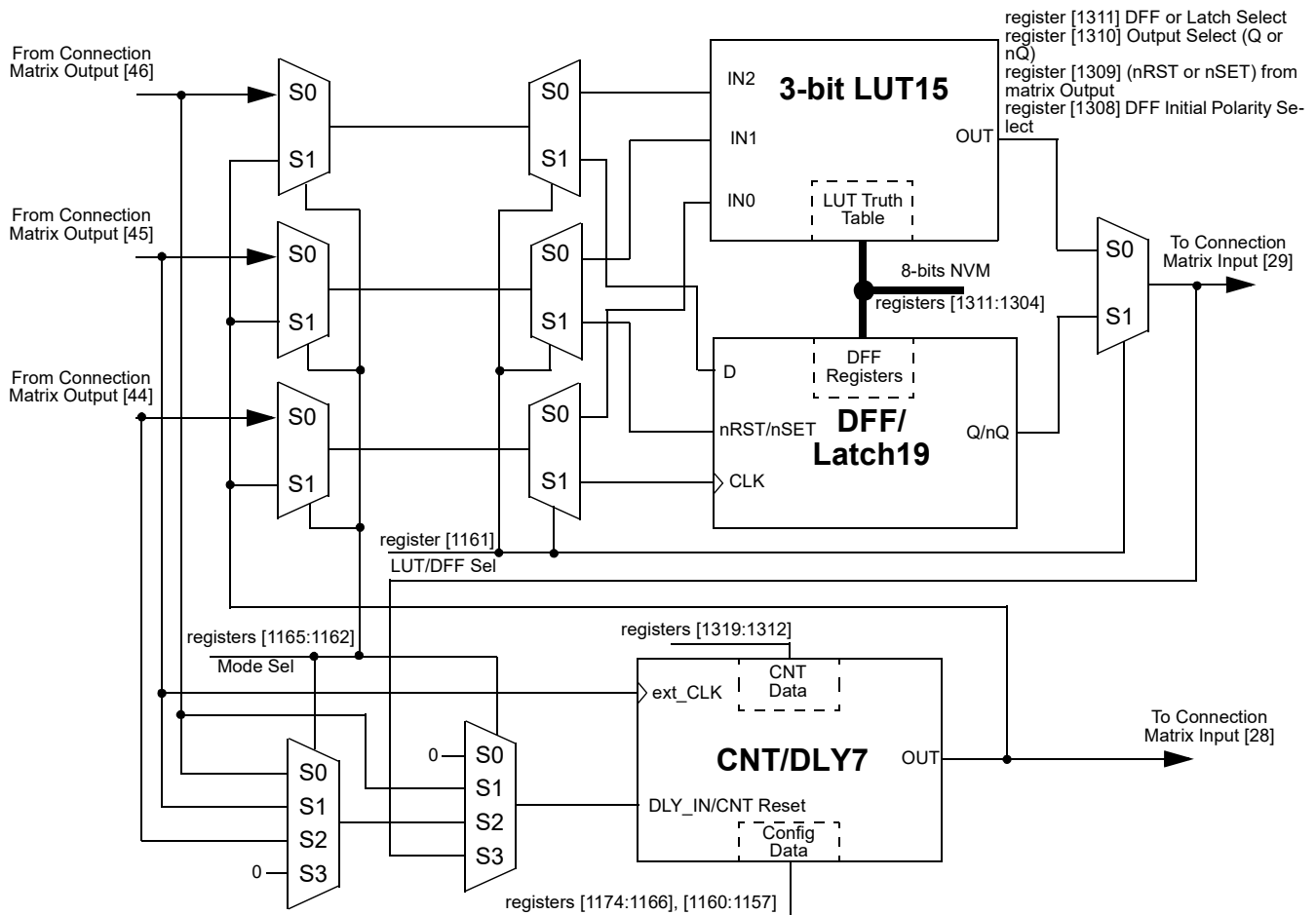


Figure 42: 8-bit Multi-Function Macrocells Block Diagram (3-bit LUT15/DFF19, CNT/DLY7)

As shown in Figures 24-30 there is a possibility to use LUT/DFF and CNT/DLY simultaneously.

Note: It is not possible to use LUT and DFF at once, one of these macrocells must be selected.

- Case 1. LUT/DFF in front of CNT/DLY. Three input signals from the connection matrix go to previously selected LUT or DFF's inputs and produce a single output which goes to a CNT/DLY input. In its turn Counter/Delay's output goes back to the matrix.
- Case 2. CNT/DLY in front of LUT/DFF. Two input signals from the connection matrix go to CNT/DLY's inputs (IN and CLK). Its output signal can be connected to any input of previously selected LUT or DFF, after which the signal goes back to the matrix.
- Case 3. Single LUT/DFF or CNT/DLY. Also, it is possible to use a standalone LUT/DFF or CNT/DLY. In this case, all inputs and output of the macrocell are connected to the matrix.

GreenPAK Programmable Mixed-Signal Matrix

8.1.2 3-Bit LUT or CNT/DLYs Used as 3-Bit LUTs

Table 43: 3-bit LUT9 Truth Table

IN2	IN1	IN0	OUT	
0	0	0	register [1208]	LSB
0	0	1	register [1209]	
0	1	0	register [1210]	
0	1	1	register [1211]	
1	0	0	register [1212]	
1	0	1	register [1213]	
1	1	0	register [1214]	
1	1	1	register [1215]	MSB

Table 44: 3-bit LUT10 Truth Table

IN2	IN1	IN0	OUT	
0	0	0	register [1224]	LSB
0	0	1	register [1225]	
0	1	0	register [1226]	
0	1	1	register [1227]	
1	0	0	register [1228]	
1	0	1	register [1229]	
1	1	0	register [1230]	
1	1	1	register [1231]	MSB

Table 45: 3-bit LUT11 Truth Table

IN2	IN1	IN0	OUT	
0	0	0	register [1240]	LSB
0	0	1	register [1241]	
0	1	0	register [1242]	
0	1	1	register [1243]	
1	0	0	register [1244]	
1	0	1	register [1245]	
1	1	0	register [1246]	
1	1	1	register [1247]	MSB

Table 46: 3-bit LUT12 Truth Table

IN2	IN1	IN0	OUT	
0	0	0	register [1256]	LSB
0	0	1	register [1257]	
0	1	0	register [1258]	
0	1	1	register [1259]	
1	0	0	register [1260]	
1	0	1	register [1261]	
1	1	0	register [1262]	
1	1	1	register [1263]	MSB

Table 47: 3-bit LUT13 Truth Table

IN2	IN1	IN0	OUT	
0	0	0	register [1272]	LSB
0	0	1	register [1273]	
0	1	0	register [1274]	
0	1	1	register [1275]	
1	0	0	register [1276]	
1	0	1	register [1277]	
1	1	0	register [1278]	
1	1	1	register [1279]	MSB

Table 48: 3-bit LUT14 Truth Table

IN2	IN1	IN0	OUT	
0	0	0	register [1288]	LSB
0	0	1	register [1289]	
0	1	0	register [1290]	
0	1	1	register [1291]	
1	0	0	register [1292]	
1	0	1	register [1293]	
1	1	0	register [1294]	
1	1	1	register [1295]	MSB

Table 49: 3-bit LUT15 Truth Table

IN2	IN1	IN0	OUT	
0	0	0	register [1304]	LSB
0	0	1	register [1305]	
0	1	0	register [1306]	
0	1	1	register [1307]	
1	0	0	register [1308]	
1	0	1	register [1309]	
1	1	0	register [1310]	
1	1	1	register [1311]	MSB

GreenPAK Programmable Mixed-Signal Matrix

Each macrocell, when programmed for a LUT function, uses a 8-bit register to define their output function:

3-Bit LUT9 is defined by registers [1215:1208]

3-Bit LUT10 is defined by registers [1231:1224]

3-Bit LUT11 is defined by registers [1247:1240]

3-Bit LUT12 is defined by registers [1263:1256]

3-Bit LUT13 is defined by registers [1279:1272]

3-Bit LUT14 is defined by registers [1295:1288]

3-Bit LUT15 is defined by registers [1311:1304]

GreenPAK Programmable Mixed-Signal Matrix

8.2 4-BIT LUT OR DFF/LATCH WITH 16-BIT COUNTER/DELAY MACROCELL

There is one macrocell that can serve as either 4-bit LUT/D Flip-Flops or as 16-bit Counter/Delay.

When used to implement LUT function, the 4-bit LUT takes in four input signals from the Connection Matrix and produces a single output, which goes back into the Connection Matrix.

When used to implement D Flip-Flop function, the two input signals from the connection matrix go to the data (D) and clock (CLK) inputs for the Flip-Flop, with the output going back to the connection matrix.

When used to implement 16-Bit Counter/Delay function, two of the four input signals from the connection matrix go to the external clock (EXT_CLK) and reset (DLY_IN/CNT Reset) for the Counter/Delay, with the output going back to the connection matrix.

This macrocell has an optional Finite State Machine (FSM) function. There are two additional matrix inputs for Up and Keep to support FSM functionality

This macrocell can also operate in a one-shot mode, which will generate an output pulse of user-defined width.

This macrocell can also operate in a frequency detection or edge detection mode.

This macrocell can have its active count value read via I²C. See Section 15.6.1 for further details.

Note: After two DFF – counters initialize with counter data = 0 after POR.

Initial state = 1 – counters initialize with counter data = 0 after POR.

Initial state = 0 And After two DFF is bypass – counters initialize with counter data after POR.

GreenPAK Programmable Mixed-Signal Matrix

8.2.1 4-Bit LUT or DFF/LATCH with 16-Bit CNT/DLY Block Diagram

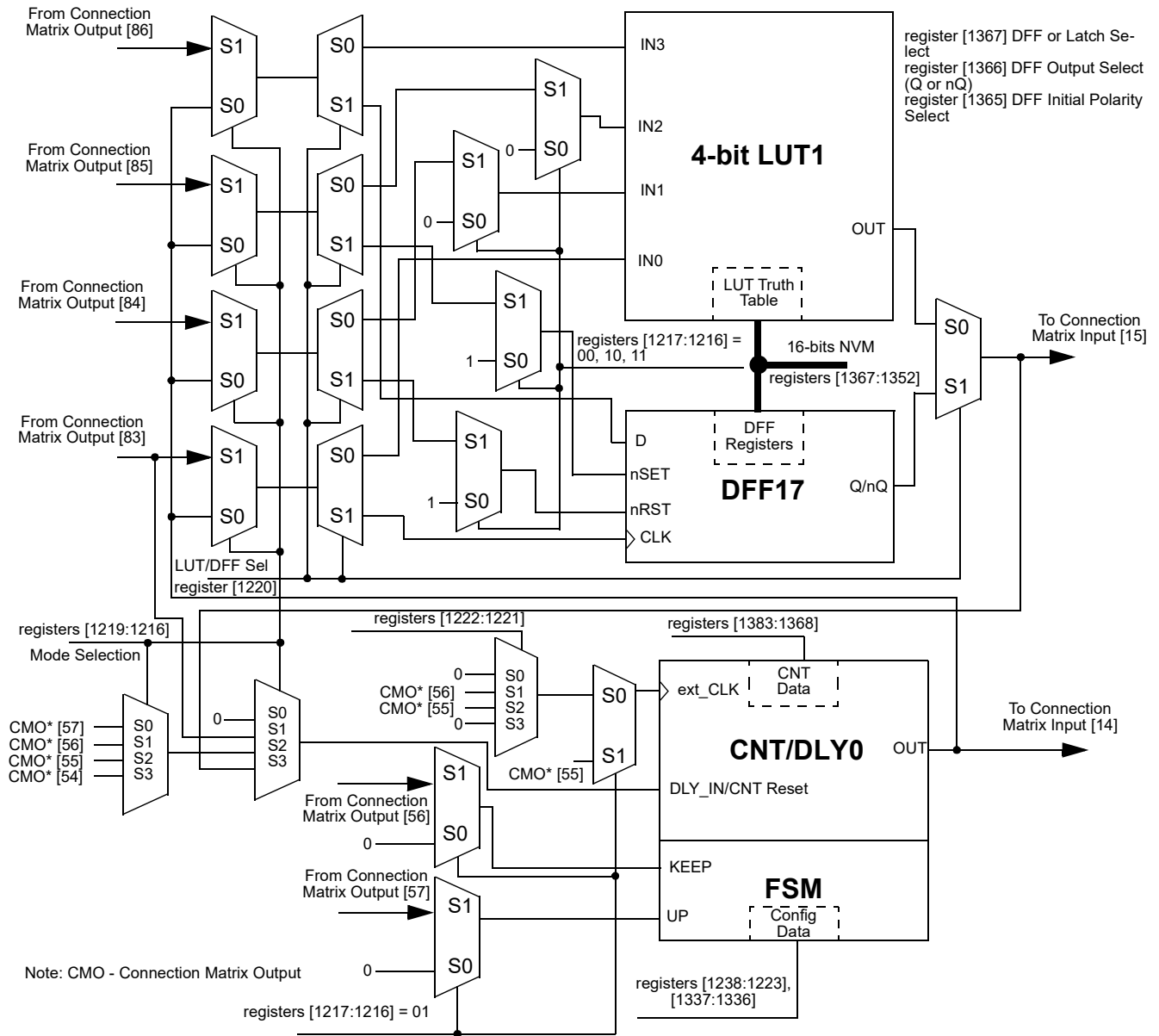


Figure 43: 4-bit LUT1 or CNT/DLY0

GreenPAK Programmable Mixed-Signal Matrix

8.2.2 4-Bit LUT or 16-Bit Counter/Delay Macrocells Used as 4-Bit LUTs

Table 50: 4-bit LUT1 Truth Table

IN3	IN2	IN1	IN0	OUT	
0	0	0	0	register [1176]	LSB
0	0	0	1	register [1177]	
0	0	1	0	register [1178]	
0	0	1	1	register [1179]	
0	1	0	0	register [1180]	
0	1	0	1	register [1181]	
0	1	1	0	register [1182]	
0	1	1	1	register [1183]	
1	0	0	0	register [1184]	
1	0	0	1	register [1185]	
1	0	1	0	register [1186]	
1	0	1	1	register [1187]	
1	1	0	0	register [1188]	
1	1	0	1	register [1189]	
1	1	1	0	register [1190]	
1	1	1	1	register [1191]	MSB

This macrocell, when programmed for a LUT function, uses a 16-bit register to define their output function:

4-Bit LUT1 is defined by registers [1191:1176]

Table 51: 4-bit LUT Standard Digital Functions

Function	MSB															LSB
AND-4	1	0	0	0	0	0	0	0	0	0	0	0	0	0	0	0
NAND-4	0	1	1	1	1	1	1	1	1	1	1	1	1	1	1	1
OR-4	1	1	1	1	1	1	1	1	1	1	1	1	1	1	1	0
NOR-4	0	0	0	0	0	0	0	0	0	0	0	0	0	0	0	1
XOR-4	0	1	1	0	1	0	0	1	1	1	0	0	1	1	1	0
XNOR-4	1	0	0	1	0	1	1	0	0	0	1	1	0	0	0	1

GreenPAK Programmable Mixed-Signal Matrix

8.3 CNT/DLY/FSM TIMING DIAGRAMS

8.3.1 Delay Mode CNT/DLY0 to CNT/DLY7

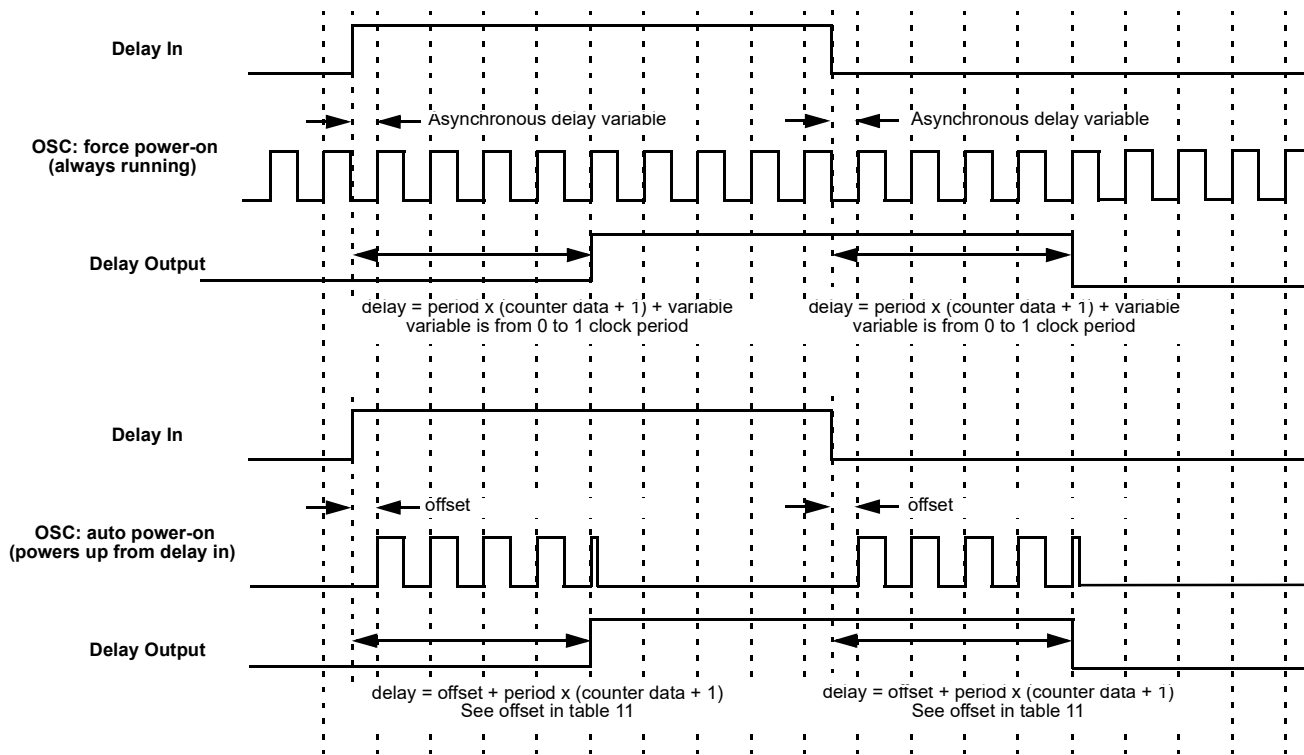


Figure 44: Delay Mode Timing Diagram, Edge Select: Both, Counter Data: 3

GreenPAK Programmable Mixed-Signal Matrix

The macrocell shifts the respective edge to a set time and restarts by appropriate edge. It works as a filter, if the input signal is shorter than the delay time.

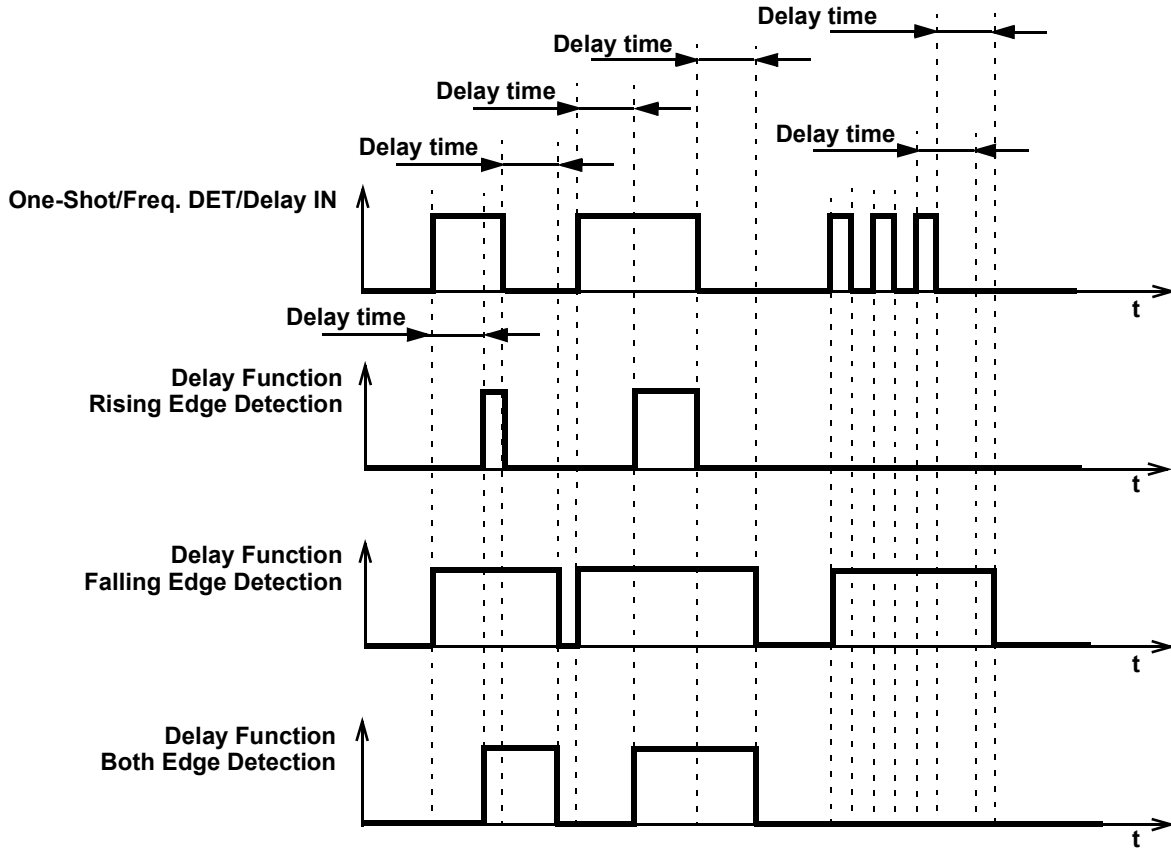


Figure 45: Delay Mode Timing Diagram for Different Edge Select Modes

8.3.2 Count Mode (Count Data: 3), Counter Reset (Rising Edge Detect) CNT/DLY0 to CNT/DLY7

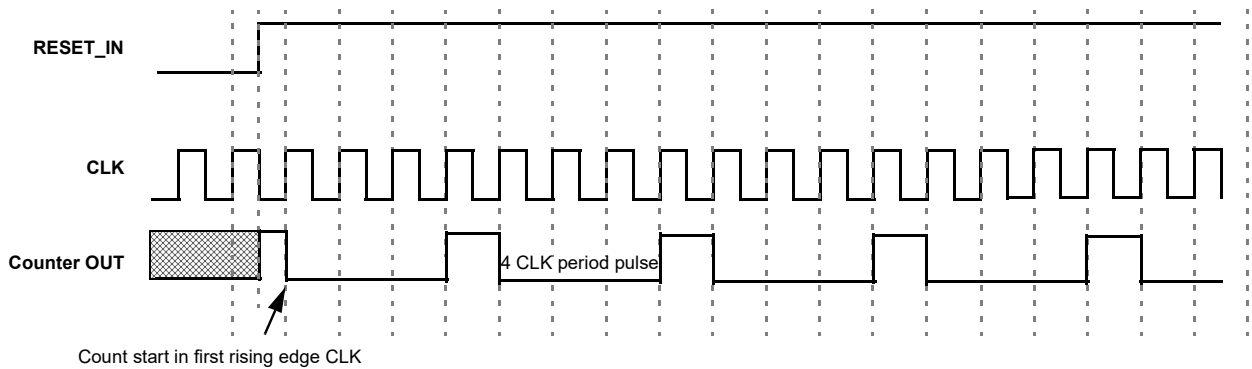


Figure 46: Counter Mode Timing Diagram without Two DFFs Synced Up

GreenPAK Programmable Mixed-Signal Matrix

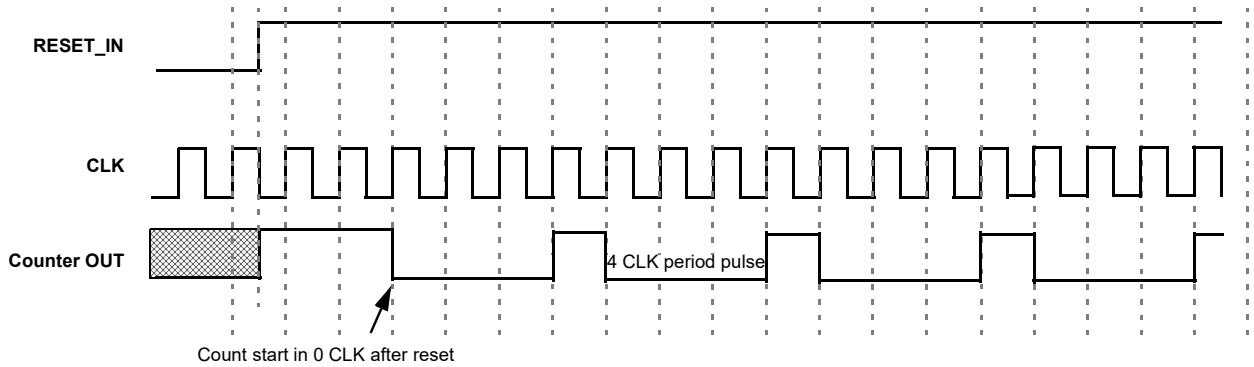


Figure 47: Counter Mode Timing Diagram with Two DFFs Synced Up

8.3.3 One-Shot Mode CNT/DLY0 to CNT/DLY7

This macrocell will generate a pulse whenever a selected edge is detected on its input. Register bits set the edge selection. The pulse width determines by counter data and clock selection properties. The output pulse polarity (non-inverted or inverted) is selected by register bit. Any incoming edges will be ignored during the pulse width generation. The following diagram shows one-shot function for non-inverted output.

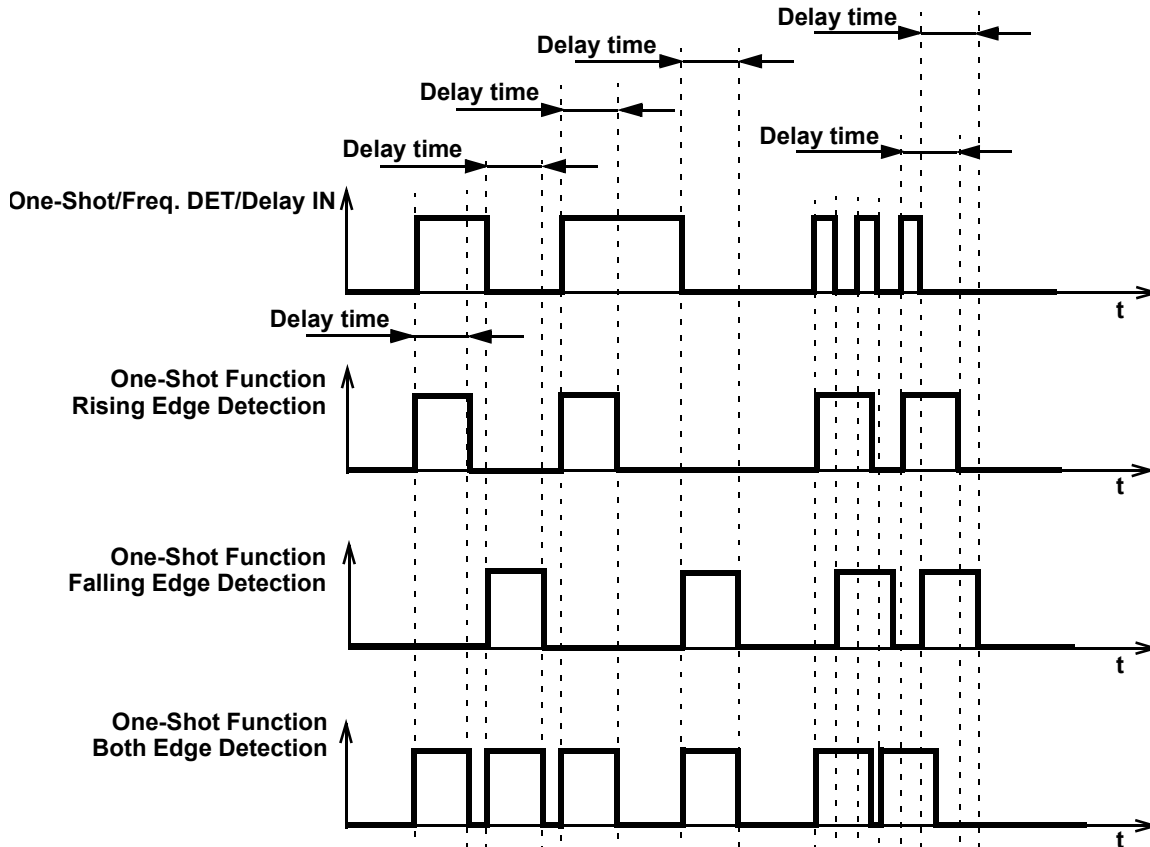


Figure 48: One-Shot Function Timing Diagram

GreenPAK Programmable Mixed-Signal Matrix

This macrocell generates a high level pulse with a set width (defined by counter data) when detecting the respective edge. It does not restart while pulse is high.

8.3.4 Frequency Detection Mode CNT/DLY0 to CNT/DLY7

Rising Edge: The output goes high if the time between two successive edges is less than the delay. The output goes low if the second rising edge has not come after the last rising edge in specified time.

Falling Edge: The output goes high if the time between two falling edges is less than the set time. The output goes low if the second falling edge has not come after the last falling edge in specified time.

Both Edge: The output goes high if the time between the rising and falling edges is less than the set time, which is equivalent to the length of the pulse. The output goes low if after the last rising/falling edge and specified time, the second edge has not come.

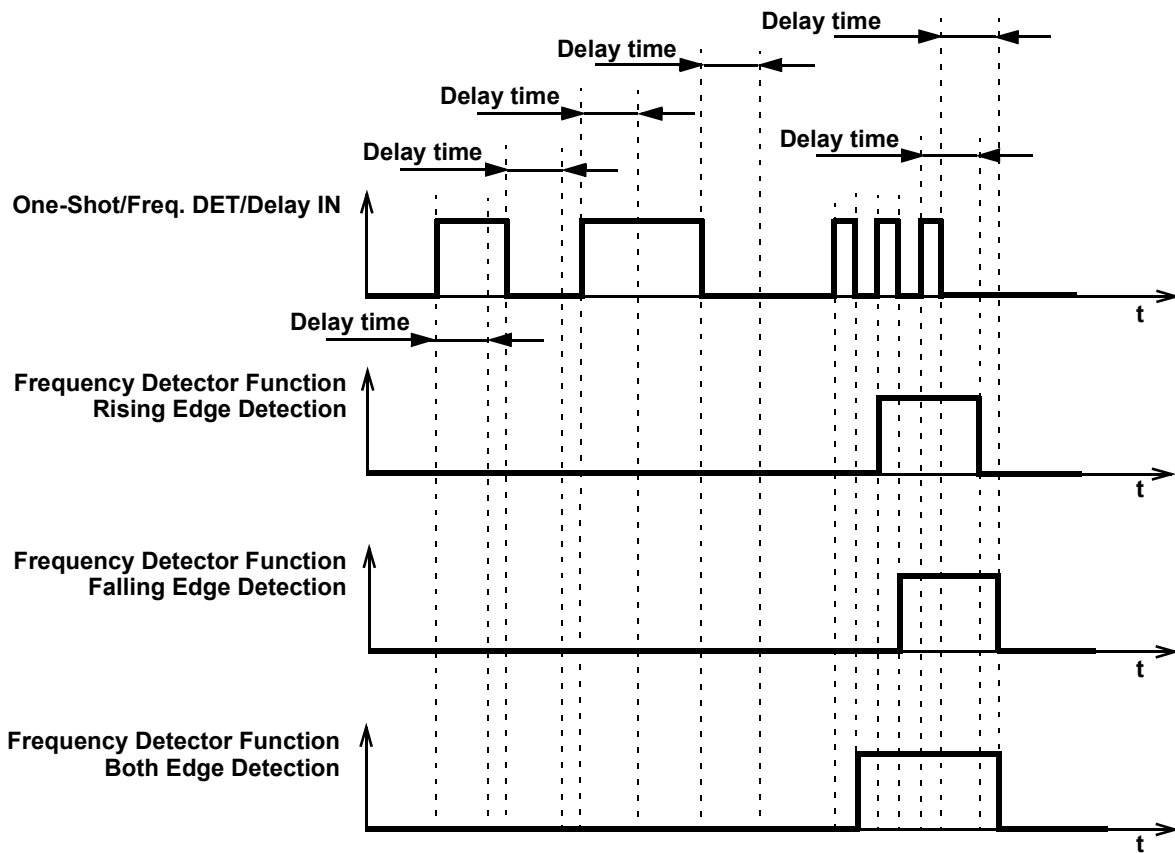


Figure 49: Frequency Detection Mode Timing Diagram

GreenPAK Programmable Mixed-Signal Matrix

8.3.5 Edge Detection Mode CNT/DLY1 to CNT/DLY7

The macrocell generates high level short pulse when detecting the respective edge. See [Table 10](#).

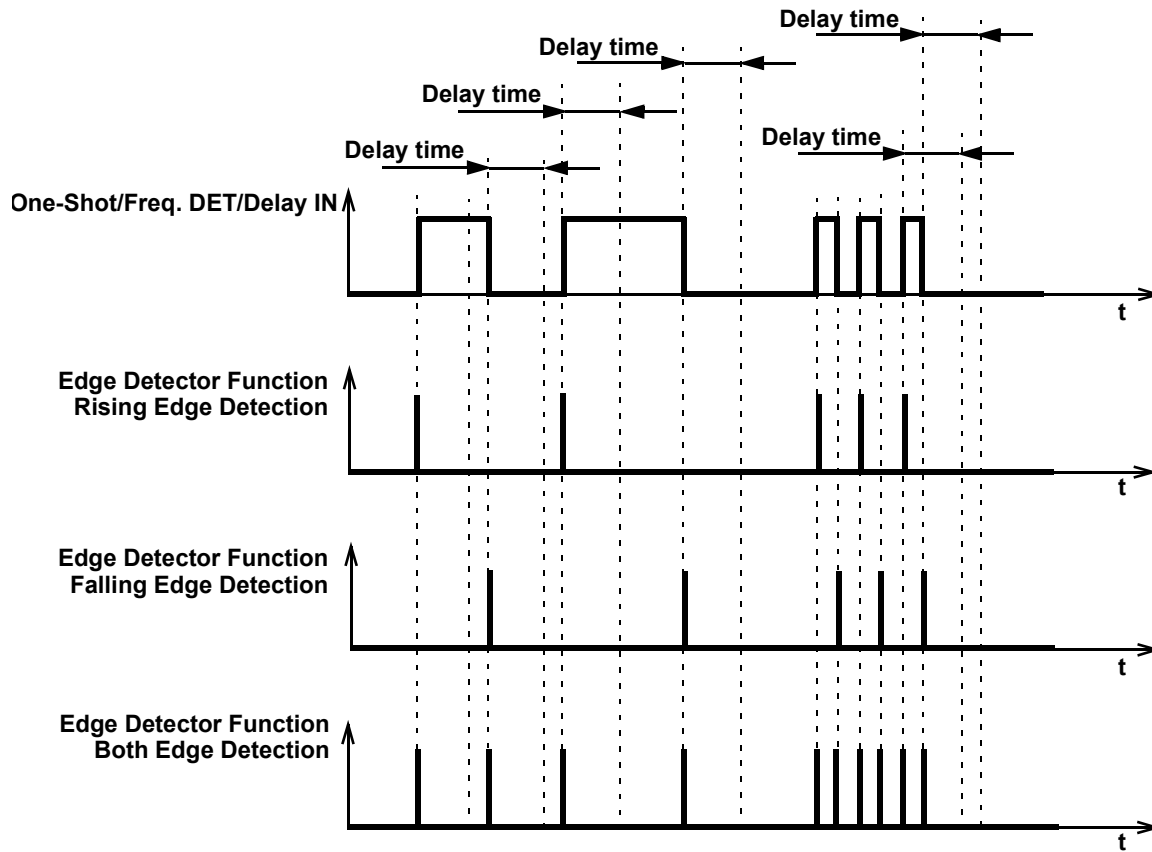


Figure 50: Edge Detection Mode Timing Diagram

GreenPAK Programmable Mixed-Signal Matrix

8.3.6 Delayed Edge Detection Mode CNT/DLY0 to CNT/DLY7

In Delayed Edge Detection Mode, High level short pulses are generated on the macrocell output after the configured delay time, if the corresponding edge was detected on the input.

If the input signal is changed during the set delay time, the pulse will not be generated. See Figure 51.

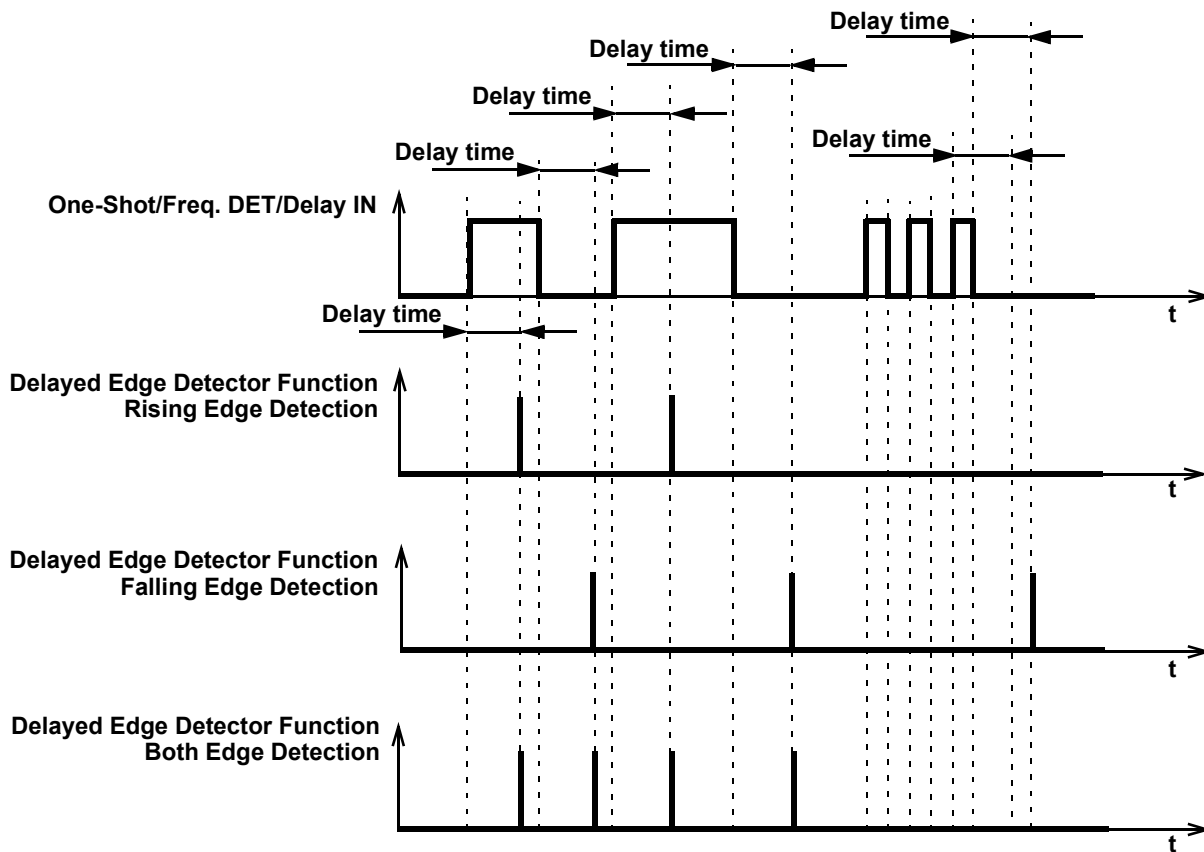


Figure 51: Delayed Edge Detection Mode Timing Diagram

GreenPAK Programmable Mixed-Signal Matrix

8.3.7 CNT/FSM Mode CNT/DLY0

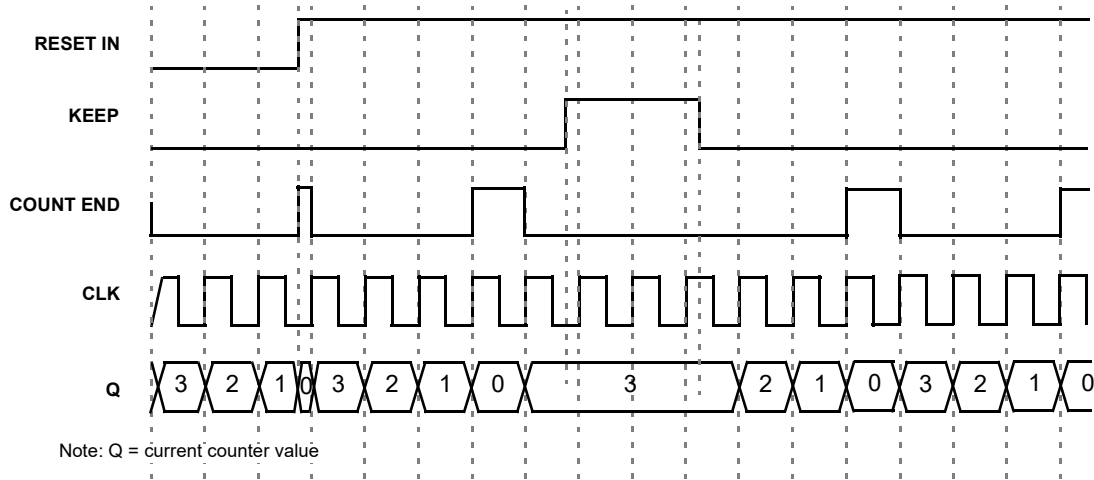


Figure 52: CNT/FSM Timing Diagram (Reset Rising Edge Mode, Oscillator is Forced On, UP = 0) for Counter Data = 3

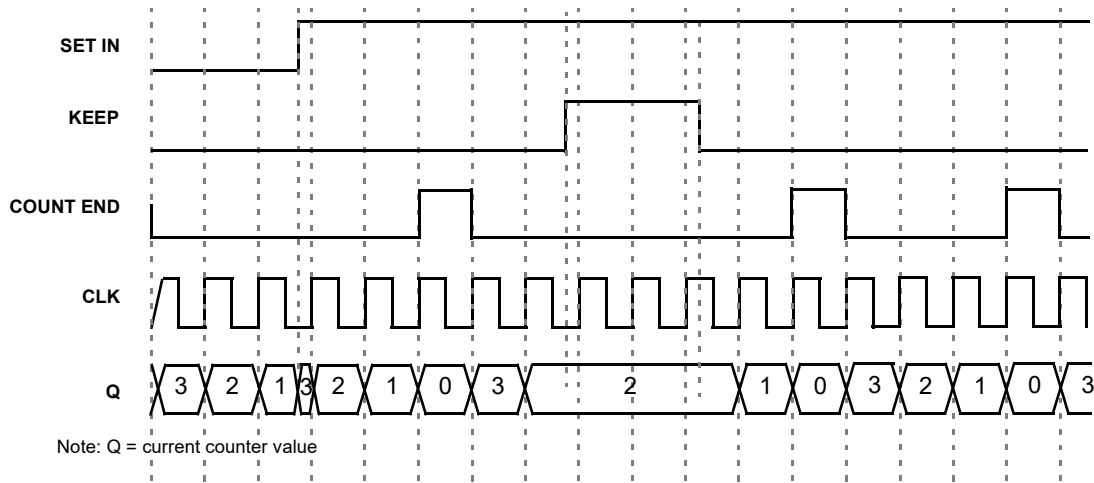


Figure 53: CNT/FSM Timing Diagram (Set Rising Edge Mode, Oscillator is Forced On, UP = 0) for Counter Data = 3

GreenPAK Programmable Mixed-Signal Matrix

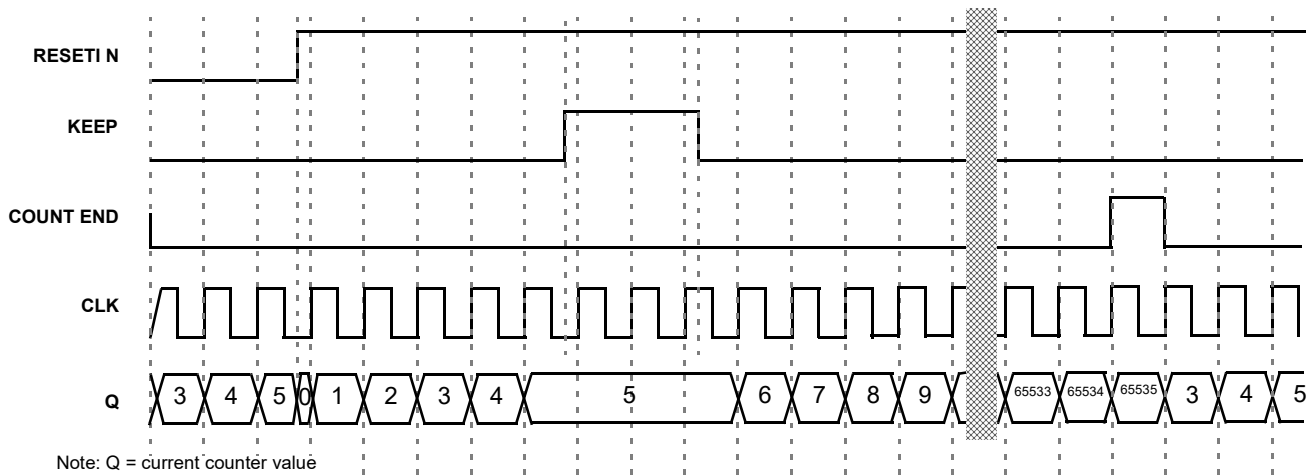


Figure 54: CNT/FSM Timing Diagram (Reset Rising Edge Mode, Oscillator is Forced On, UP = 1) for Counter Data = 3

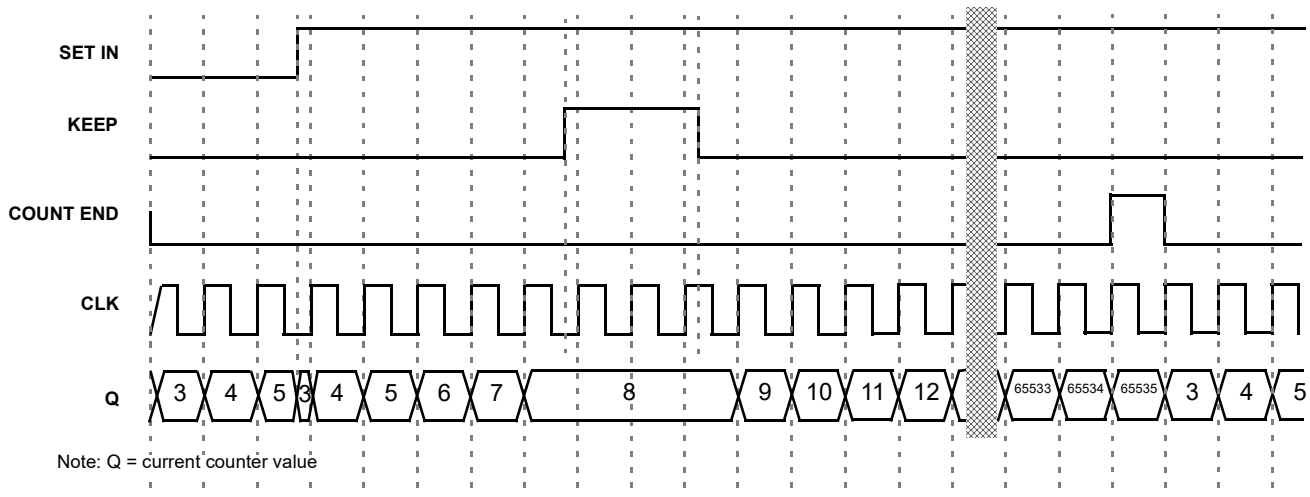


Figure 55: CNT/FSM Timing Diagram (Set Rising Edge Mode, Oscillator Is Forced On, UP = 1) for Counter Data = 3

GreenPAK Programmable Mixed-Signal Matrix

8.3.8 Difference in Counter Value for Counter, Delay, One-Shot, and Frequency Detect Modes

There is a difference in counter value for Counter and Delay/One-Shot/Frequency Detect modes. The counter value is shifted for two rising edges of the clock signal in Delay/One-Shot/Frequency Detect modes compared to Counter mode. See Figure 56:

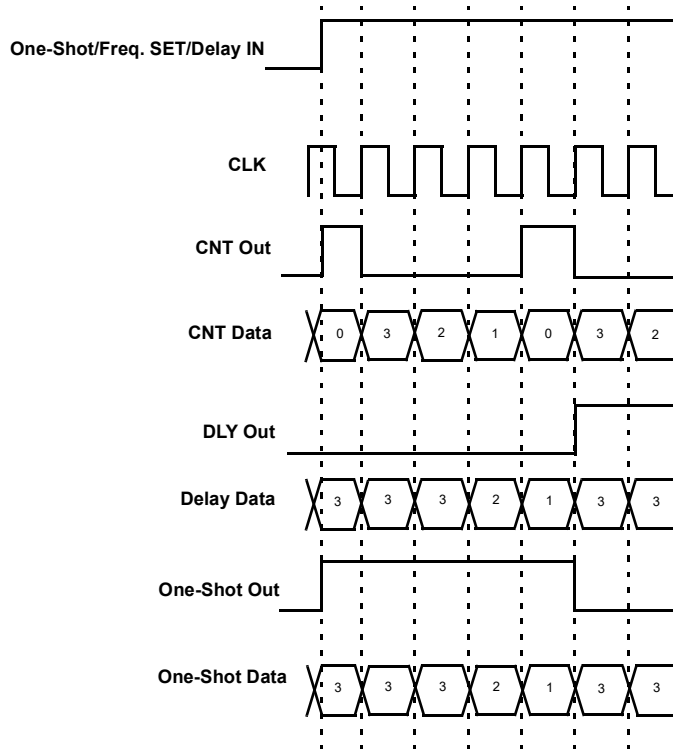


Figure 56: Counter Value, Counter Data = 3

8.4 WAKE AND SLEEP CONTROLLER

The SLG46855 has a Wake and Sleep function for all ACMPs. The macrocell CNT/DLY0 can be reconfigured for this purpose registers [1032:1031] = 11 and register [1046] = 1. The WS serves for power saving, it allows to switch on and off selected ACMPs on selected bit of 16-bit counter.

Note 1: BG/Analog_Good time is long and should be considered in wake and sleep timing in case it dynamically powers on/off.

GreenPAK Programmable Mixed-Signal Matrix

Note 2: Wake time should be long enough to make sure ACMP and Vref have enough time to get a sample before going to sleep.

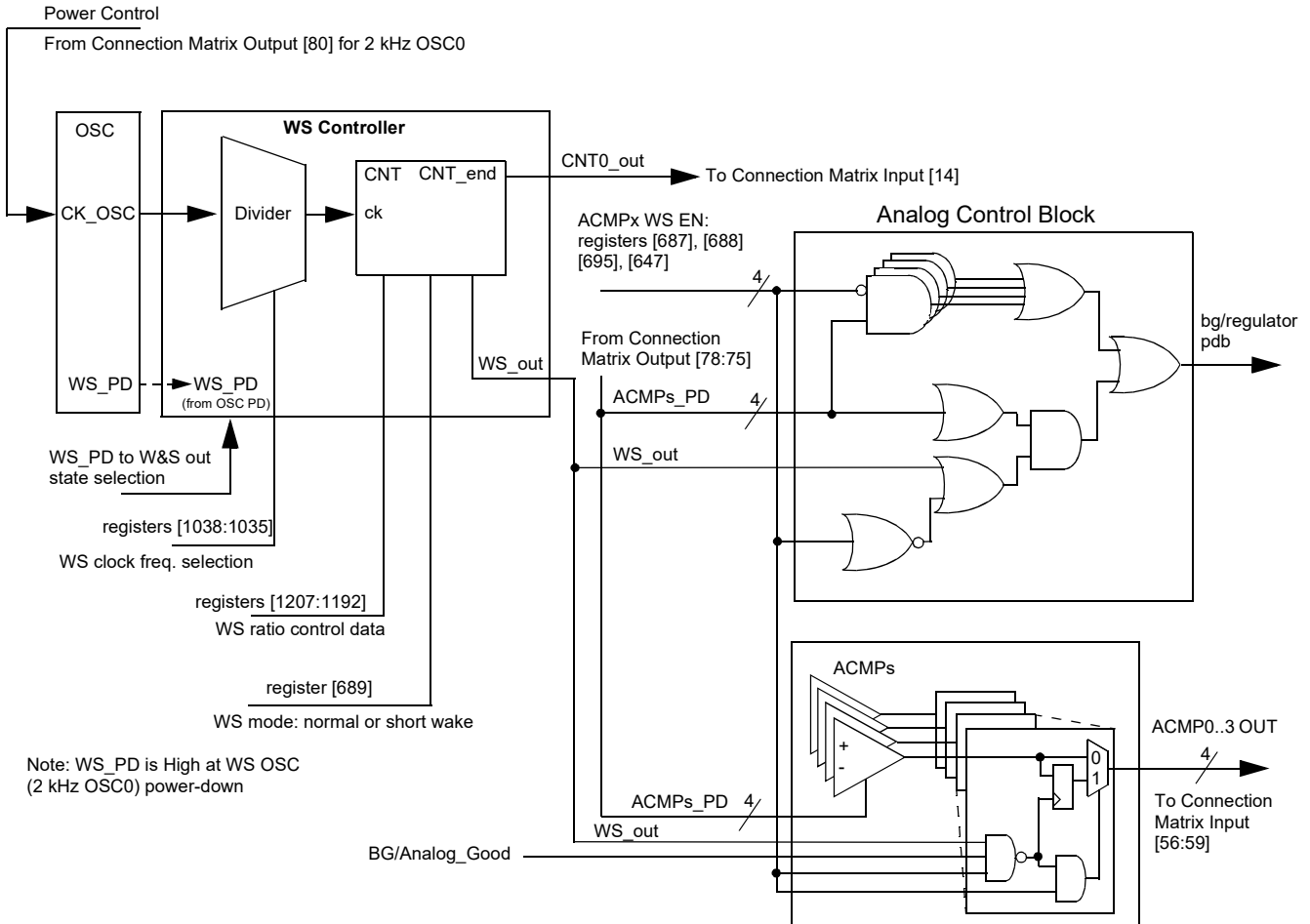


Figure 57: Wake/Sleep Controller

GreenPAK Programmable Mixed-Signal Matrix

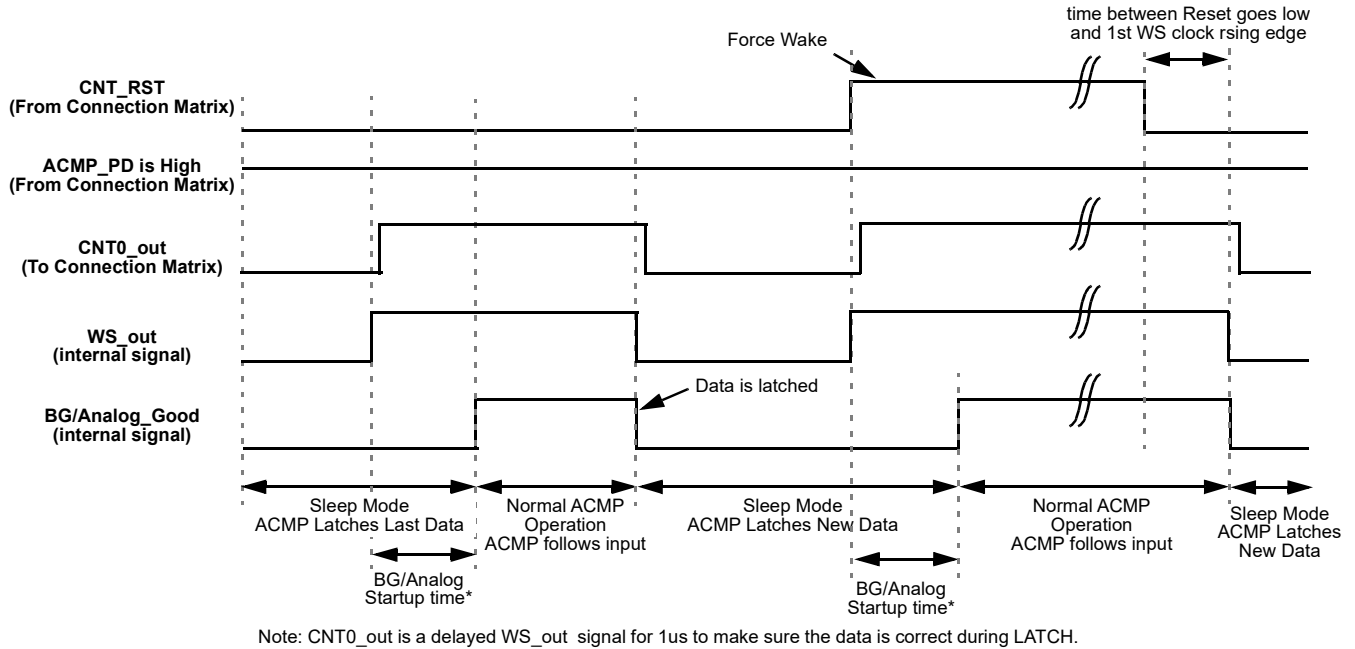


Figure 58: Wake/Sleep Timing Diagram, Normal Wake Mode, Counter Reset is Used

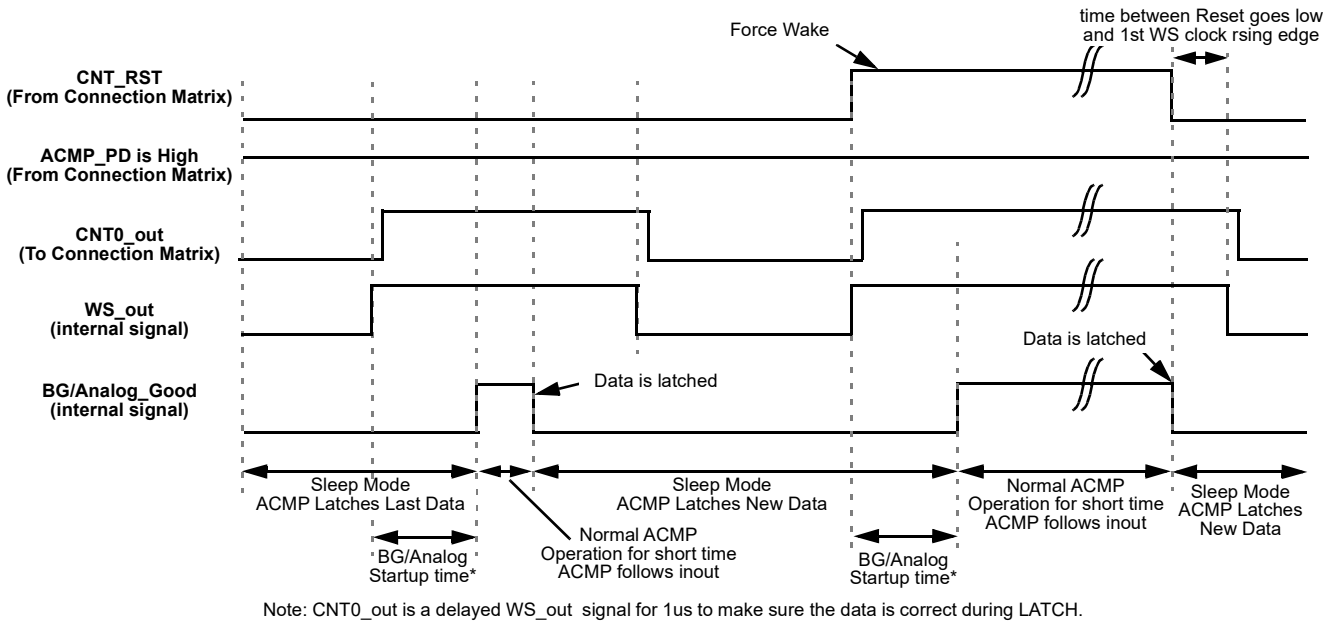
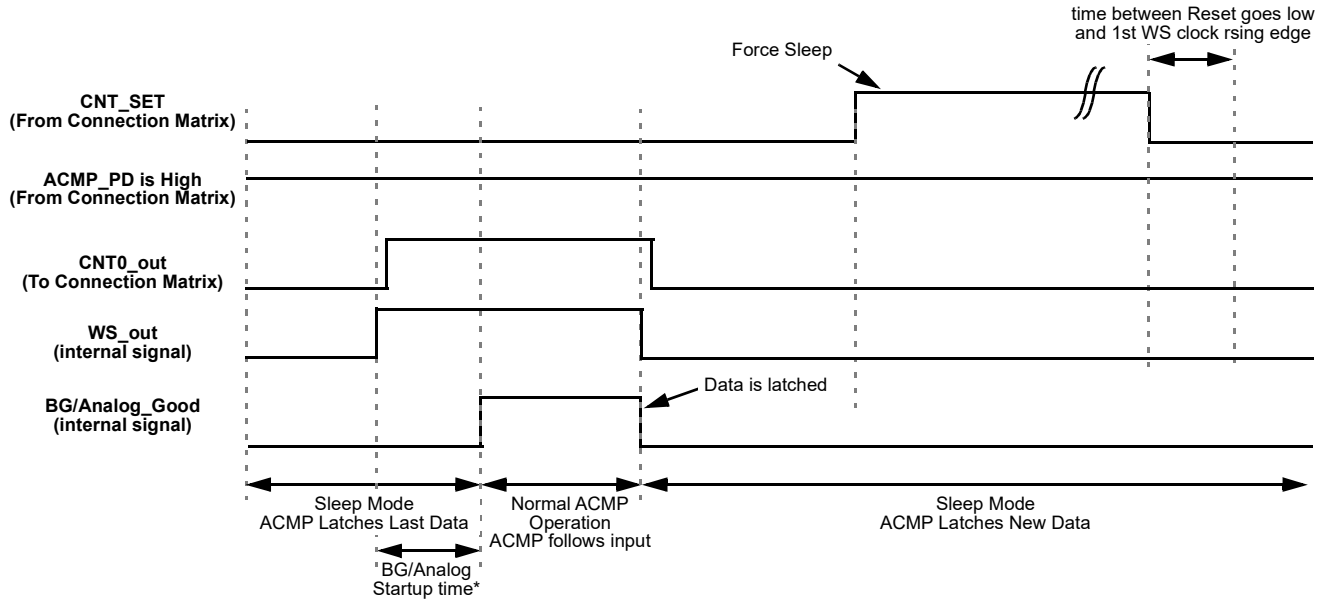


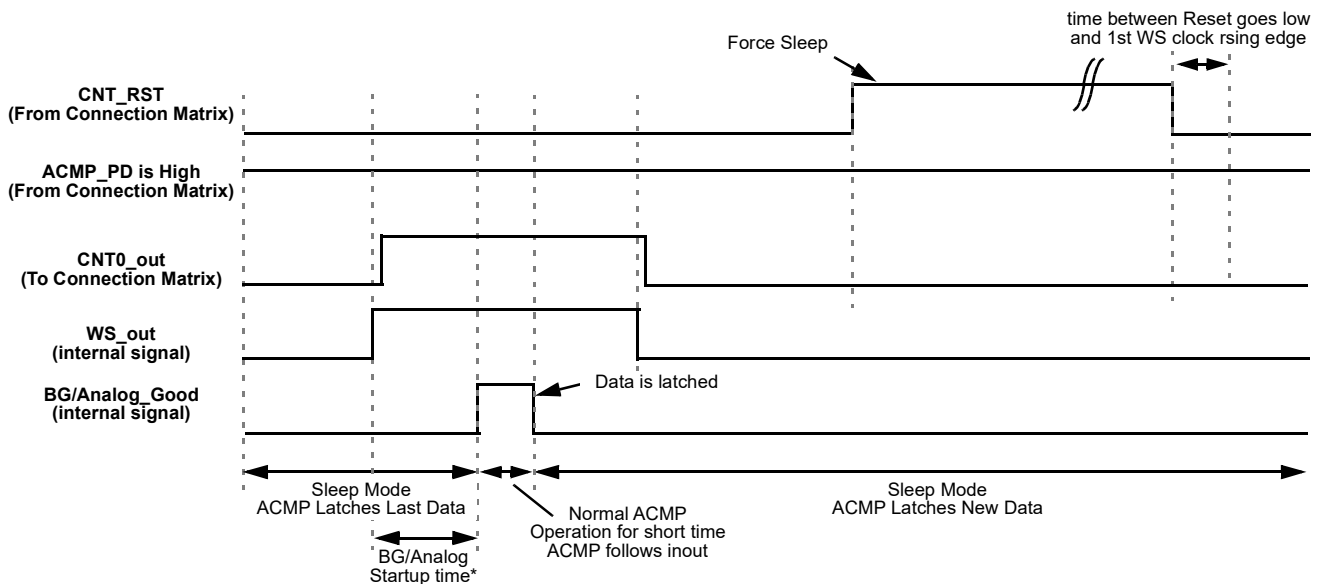
Figure 59: Wake/Sleep Timing Diagram, Short Wake Mode, Counter Reset is Used

GreenPAK Programmable Mixed-Signal Matrix



Note: CNT0_out is a delayed WS_out signal for 1us to make sure the data is correct during LATCH.

Figure 60: Wake/Sleep Timing Diagram, Normal Wake Mode, Counter Set is Used



Note: CNT0_out is a delayed WS_out signal for 1us to make sure the data is correct during LATCH.

Figure 61: Wake/Sleep Timing Diagram, Short Wake Mode, Counter Set is Used

Note: If low power BG is powered on/off by WS, the wake time should be longer than 2.62 ms. The BG/analog start up time will take maximal 2.62 ms. Therefore, 8 periods of the Oscillator0 is recommended for the wake time, when BG is configured to Auto Power mode. If low power BG is always on, Oscillator0 period is longer than required wake time. The BG/analog start up time will

GreenPAK Programmable Mixed-Signal Matrix

take maximal 450 us for ACMP0/1 and a shorter time for ACMP2/3. The short wake mode can be used to reduce the current consumption.

To use any ACMP under WS controller, the following settings must be done:

- ACMP Power Up Input from matrix = 1 (for each ACMP separately);
- CNT/DLY0 must be set to Wake and Sleep Controller function (for all ACMP);
- Register WS → enable (for each ACMP separately);
- CNT/DLY0 set/reset input = 0 (for all ACMP).

The user can select a period of time while the ACMP is sleeping in a range of 1 - 65535 clock cycles. Before they are sent to sleep their outputs are latched, so the ACMPs remain their state (High or Low) while sleeping.

WS controller has the following settings:

- Wake and Sleep Output State (High/Low)
 - If OSC is powered off (Power-down option is selected; Power-down input = 1) and Wake and Sleep Output State = High, the ACMP is continuously on.
 - If OSC is powered off (Power-down option is selected; Power-down input = 1) and Wake and Sleep Output State = Low, the ACMP is continuously off.
 - Both cases WS function is turned off.
- Counter Data (Range: 1 - 65535)
 - User can select wake and sleep ratio of the ACMP; counter data = sleep time, one clock = wake time.
- Q mode - defines the state of WS counter data when Set/Reset signal appears
 - Reset - when active signal appears, the WS counter will reset to zero and High level signal on its output will turn on the ACMPs. When Reset signal goes out, the WS counter will go Low and turn off the ACMP until the counter counts up to the end.
 - Set - when active signal appears, the WS counter will stop and Low level signal on its output will turn off the ACMP. When Set signal goes out, the WS counter will go on counting and High level signal will turn on the ACMP while counter is counting up to the end.

Note: The OSC0 matrix power-down to control ACMP WS is not supported for short wait time option.

- Edge Select defines the edge for Q mode
 - High level Set/Reset - switches mode Set/Reset when level is High

Note: Q mode operates only in case of "High Level Set/Reset".

- Wake time selection - time required for wake signal to turn the ACMPxH on

Normal Wake Time - when WS signal is High, it takes BG/analog start up time to turn the ACMPs on. They will stay on until WS signal is Low again. Wake time is one clock period. It should be longer than BG turn on time and minimal required comparing time of the ACMP.

Short Wake Time - when WS signal is High, it takes BG/analog start up time to turn the ACMPs on. They will stay on for 1 μ s and turn off regardless of WS signal. The WS signal width does not matter.

- Keep - pauses counting while Keep = 1
- Up - reverses counting
 - If Up = 1, CNT is counting up from user selected value to 65535.
 - If Up = 0, CNT is counting down from user selected value to 0.

GreenPAK Programmable Mixed-Signal Matrix

9 Analog Comparators

There are two High Speed and two Low Power Rail-to-Rail General Purpose Analog Comparators (ACMP) macrocells in the SLG46855. In order for the ACMP cells to be used in a GreenPAK design, the power up signals (ACMP0H PWR UP, ACMP1H PWR UP, ACMP2L PWR UP, and ACMP3L PWR UP) need to be active. By connecting to signals coming from the Connection Matrix, it is possible to have each ACMP be ON continuously, OFF continuously, or switched on periodically based on a digital signal coming from the Connection Matrix. When ACMP is powered down, its output is low.

Two of the four General Purpose Analog Comparators are optimized for high speed operation (ACMP0H and ACMP1H), and two other are optimized for low power operation (ACMP2L and ACMP3L).

Each of the ACMP cells has a positive input signal that can be provided by a variety of external sources, and can also have a selectable gain stage (1x, 0.5x, 0.33x, 0.25x) before connection to the analog comparator. The gain divider is unbuffered and has input resistance of 2 M Ω (typ) for 0.5x, 0.33x, 0.25x, and 10 G Ω for 1x. Each of the ACMP cells has a negative input signal that is either created from an internal Vref or provided by any external source (GPIO2 and GPO0). Note that the external Vref signal is filtered with a 2nd order low pass filter with 8 kHz typical bandwidth, see [Figure 62](#) to [Figure 65](#).

Input bias current < 1 nA (typ).

PWR UP = 1 => ACMP is powered up.

PWR UP = 0 => ACMP is powered down.

During power-up, the ACMP output will remain LOW, and then becomes valid in 52 μ s (max) after power up signal goes high for ACMP0H and ACMP1H, and becomes valid 325 μ s (max) after power up signal goes high for ACMP2L and ACMP3L.

Each High Speed ACMP (ACMP0H and ACMP1H) has an optional Rail-to-Rail Input Buffer, which can be used along with the Gain divider to increase ACMP input resistance. However, Input buffer will increase an input offset voltage.

Each cell also has a hysteresis selection, to offer hysteresis of (0, 32, 64, 192) mV. The hysteresis option is available when using an internal Vref only.

The ACMP0H has an additional option of connecting an internal 100 μ A current source to its positive input, register [690]. It is also possible to connect the 100 μ A current source to each next ACMP via an internal analog MUX.

ACMP0H IN+ options are GPIO4, buffered GPIO4, V_{DD}, 100 μ A Current Source
 ACMP1H IN+ options are GPIO5, buffered GPIO5, ACMP0H IN+ MUX output
 ACMP2L IN+ options are GPIO6, ACMP0H IN+ MUX output, ACMP1H IN+ MUX output
 ACMP3L IN+ options are GPIO7, ACMP2L IN+ MUX output, Temp Sensor OUT

GreenPAK Programmable Mixed-Signal Matrix

9.1 ACMP0H BLOCK DIAGRAM

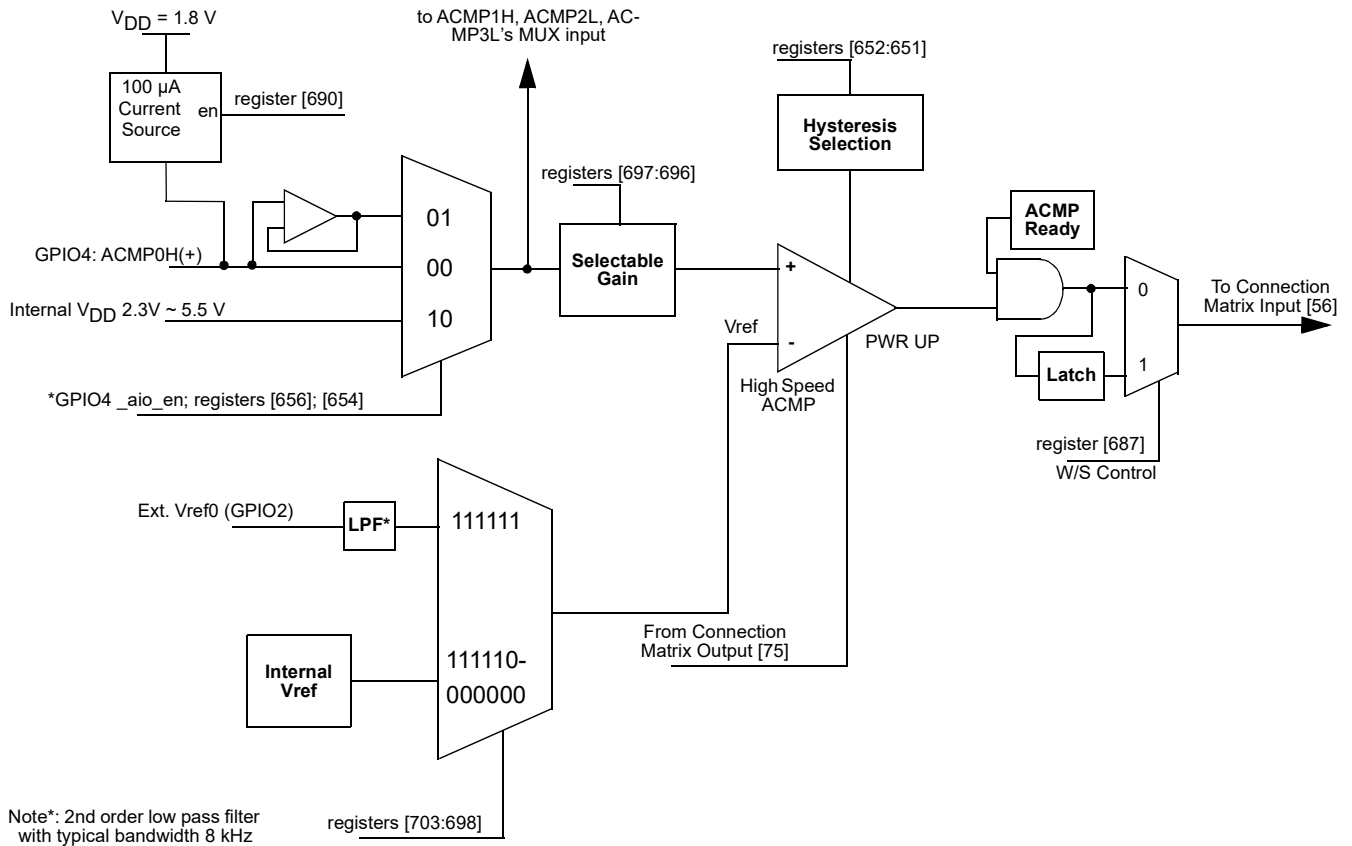


Figure 62: ACMP0H Block Diagram

GreenPAK Programmable Mixed-Signal Matrix

9.2 ACMP1H BLOCK DIAGRAM

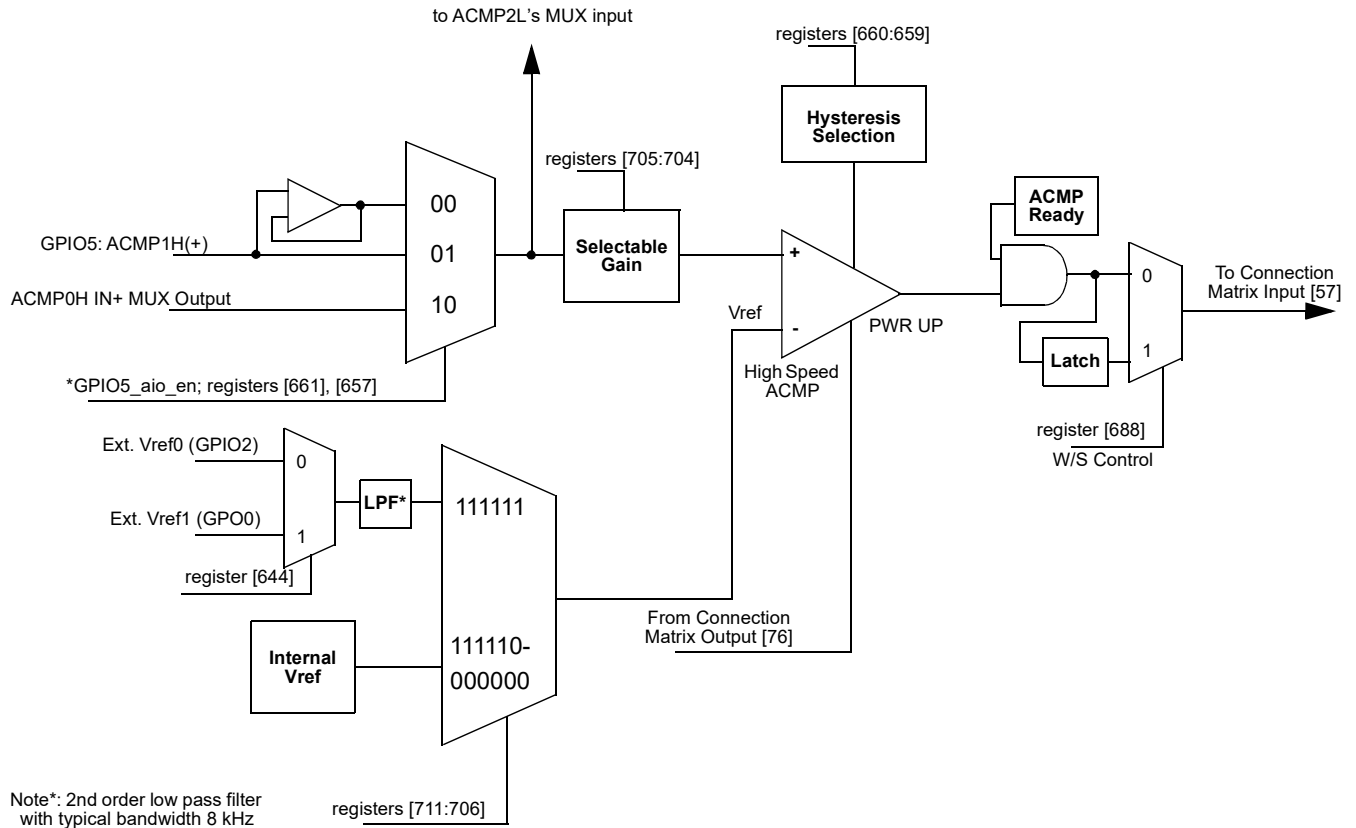
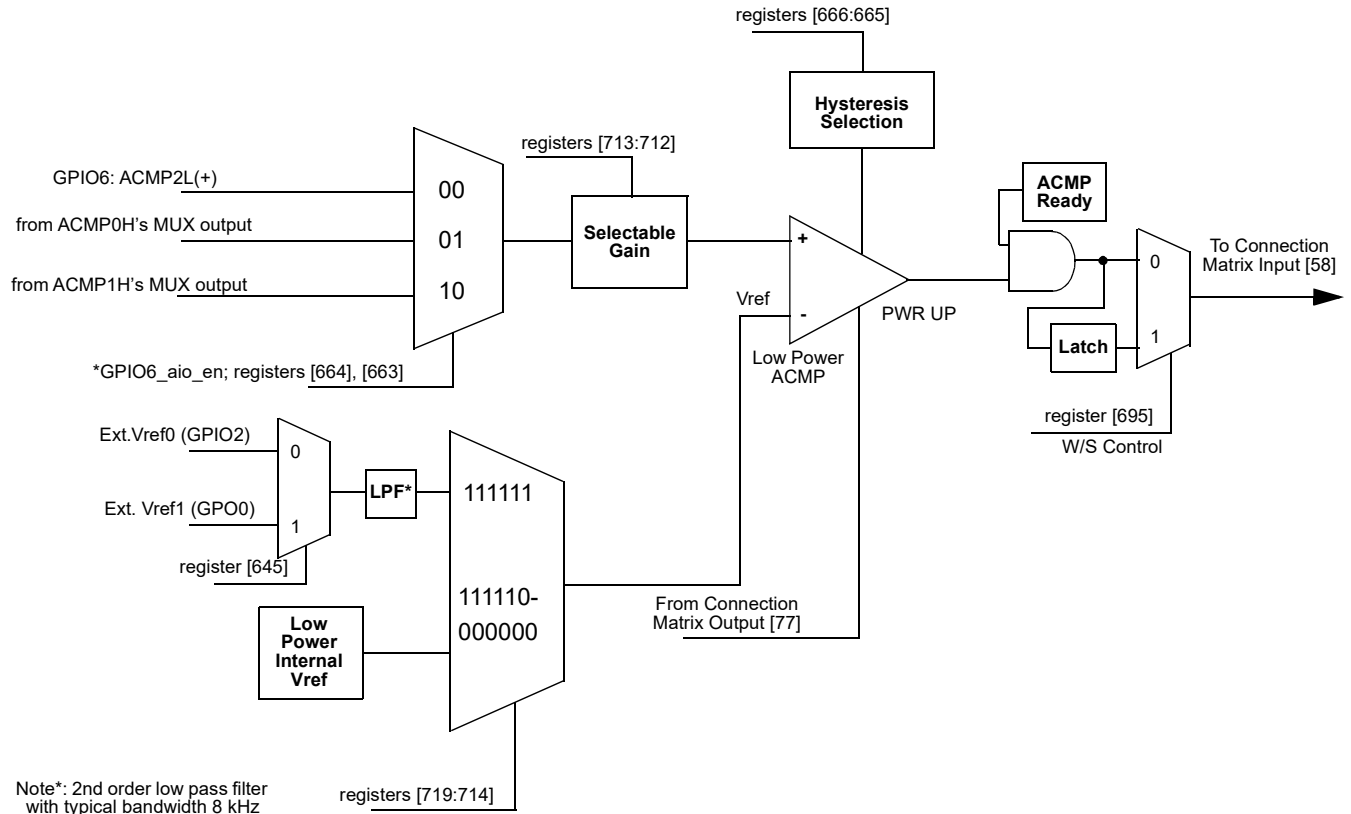


Figure 63: ACMP1H Block Diagram

GreenPAK Programmable Mixed-Signal Matrix

9.3 ACMP2L BLOCK DIAGRAM



Note*: 2nd order low pass filter with typical bandwidth 8 kHz

Figure 64: ACMP2L Block Diagram

GreenPAK Programmable Mixed-Signal Matrix

9.4 ACMP3L BLOCK DIAGRAM

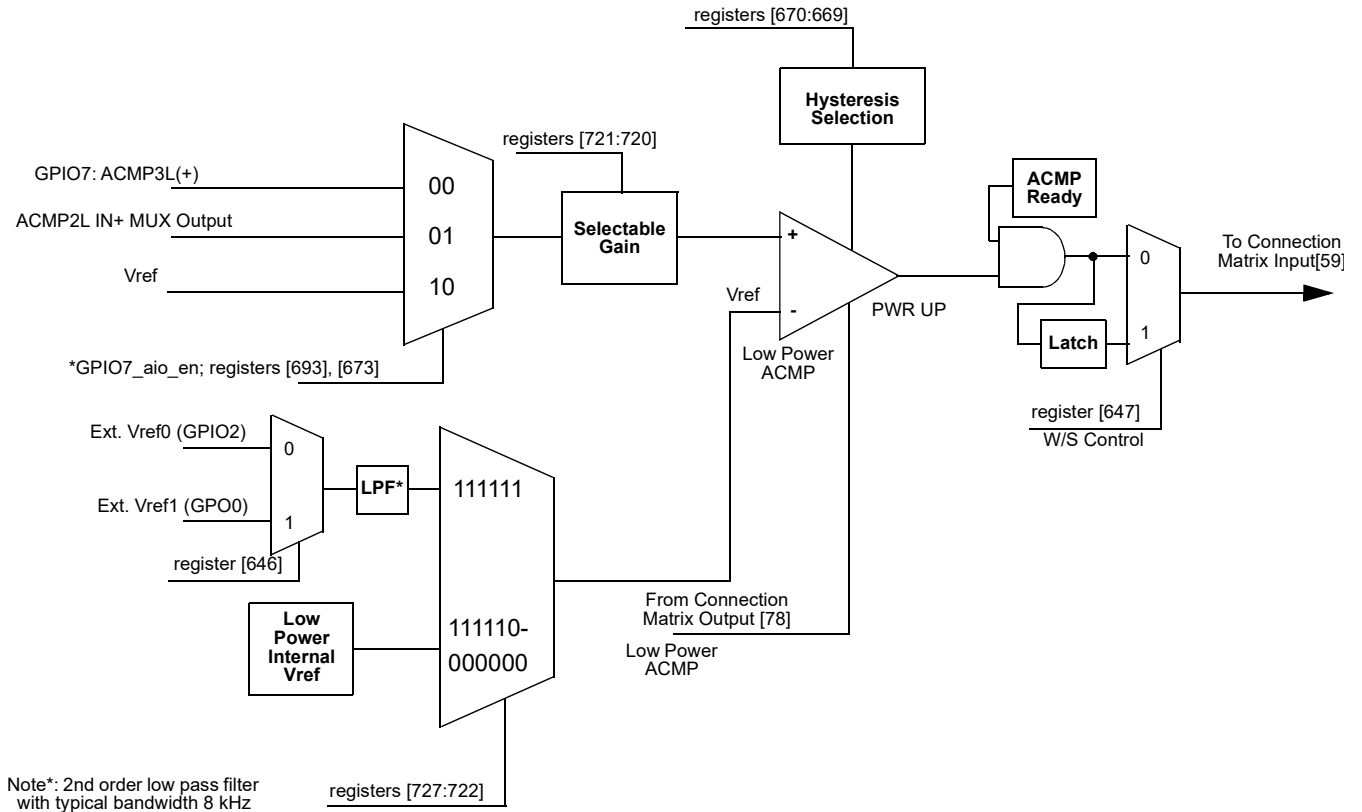


Figure 65: ACMP3L Block Diagram

GreenPAK Programmable Mixed-Signal Matrix

9.5 ACMP TYPICAL PERFORMANCE

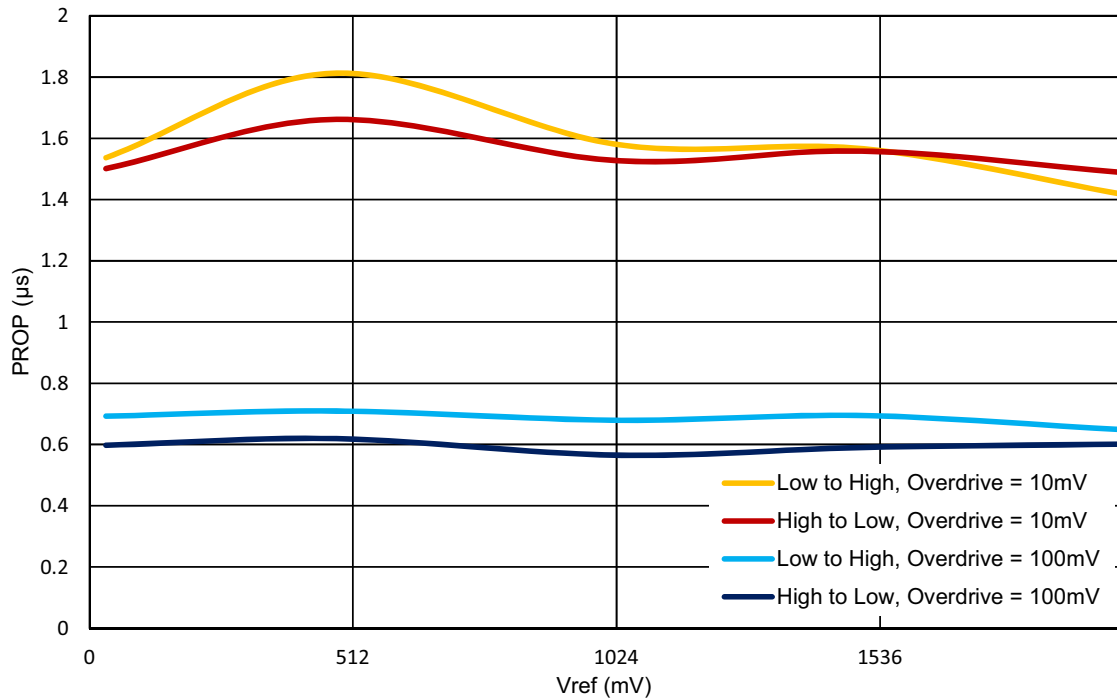


Figure 66: Typical Propagation Delay vs. Vref for ACMPxH at T = 25 °C, Gain = 1, Buffer - Disabled, Hysteresis = 0

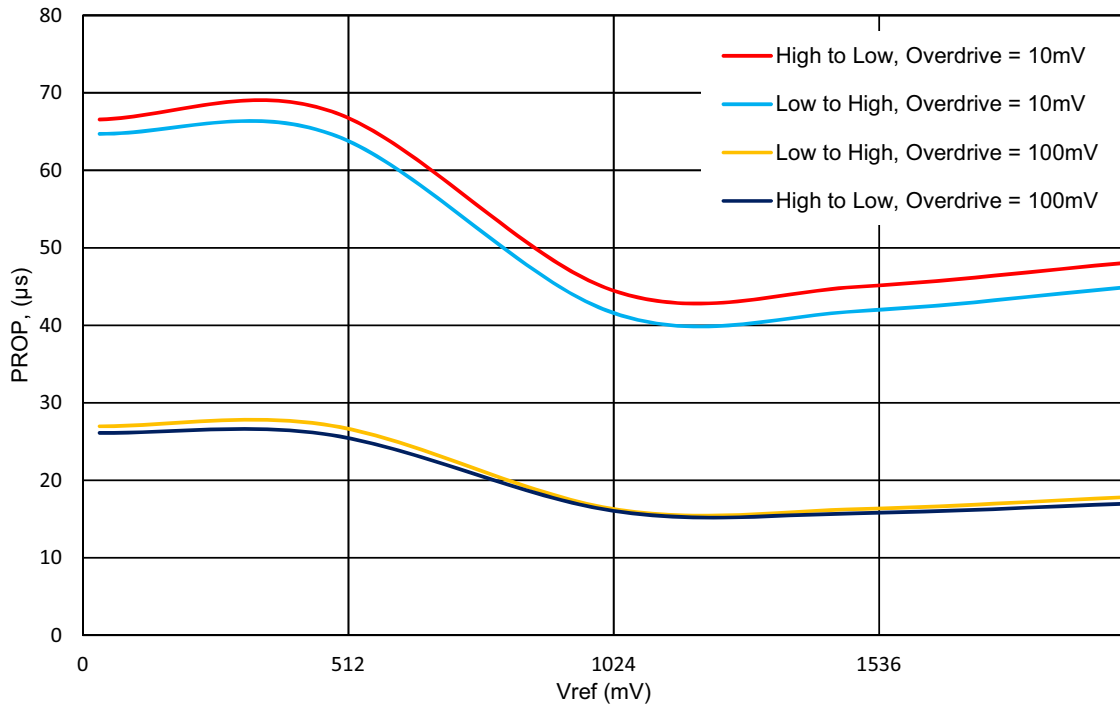


Figure 67: Typical Propagation Delay vs. Vref for ACMPxL at T = 25 °C, Gain = 1, Buffer - Disabled, Hysteresis = 0

GreenPAK Programmable Mixed-Signal Matrix

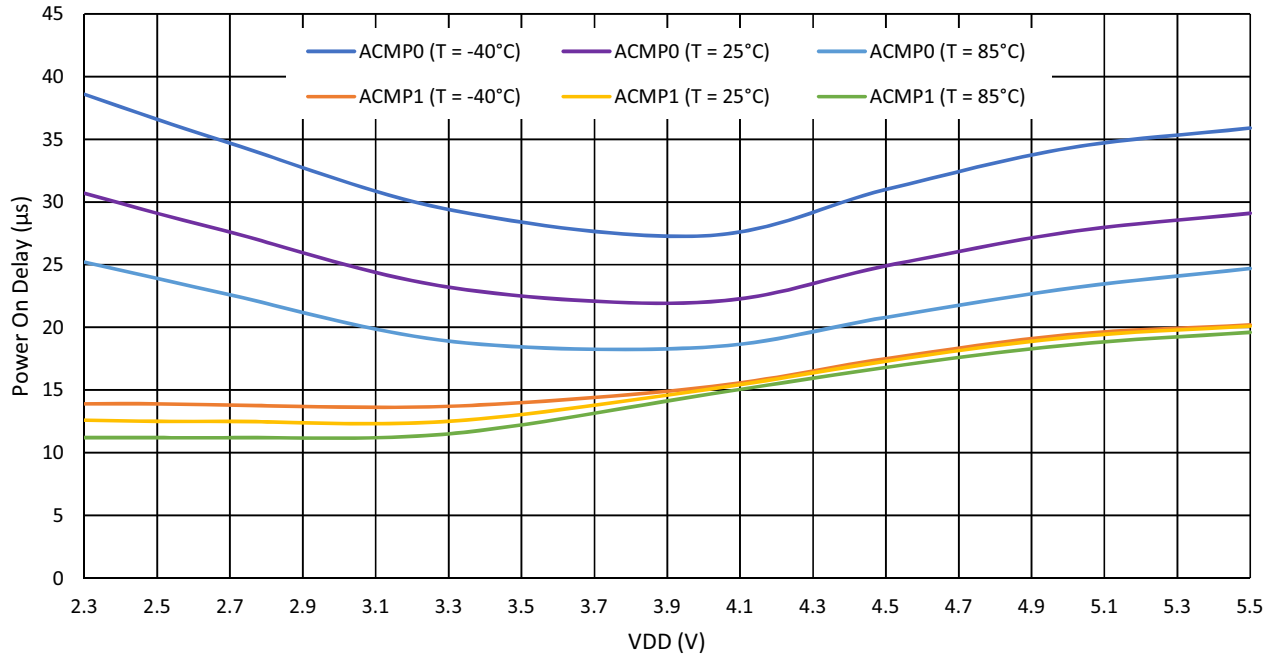


Figure 68: ACMPxH Power-On Delay vs. V_{DD}

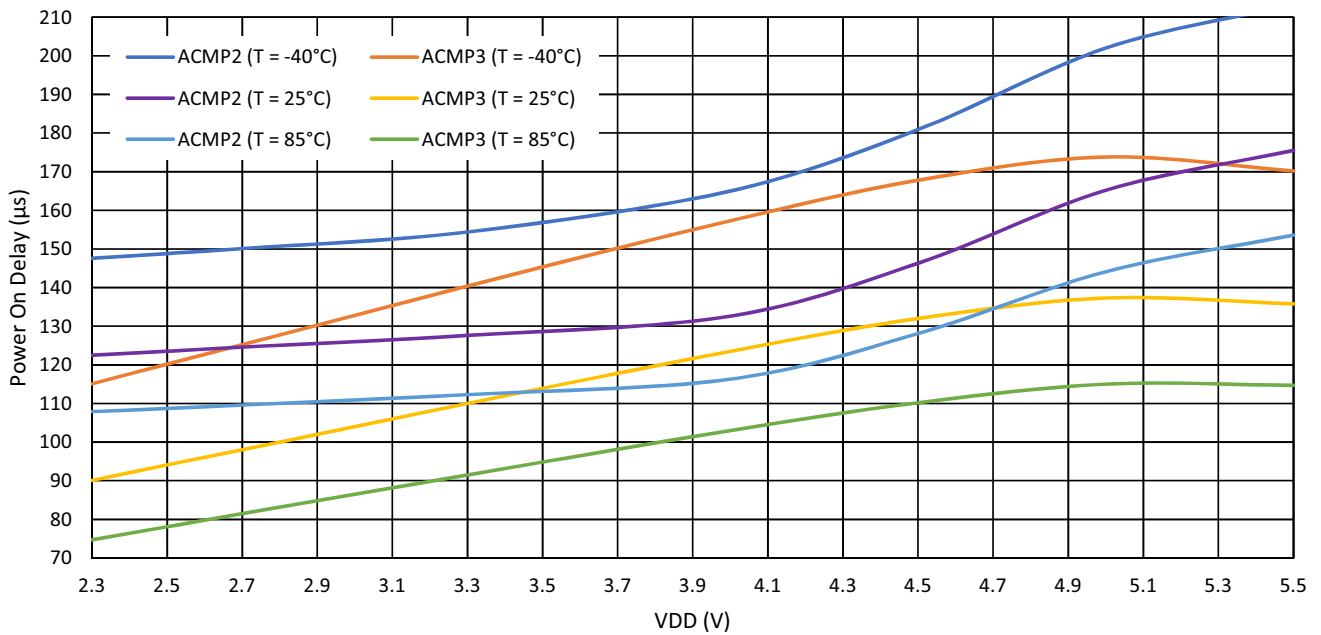


Figure 69: ACMPxL Power-On Delay vs. V_{DD}

GreenPAK Programmable Mixed-Signal Matrix

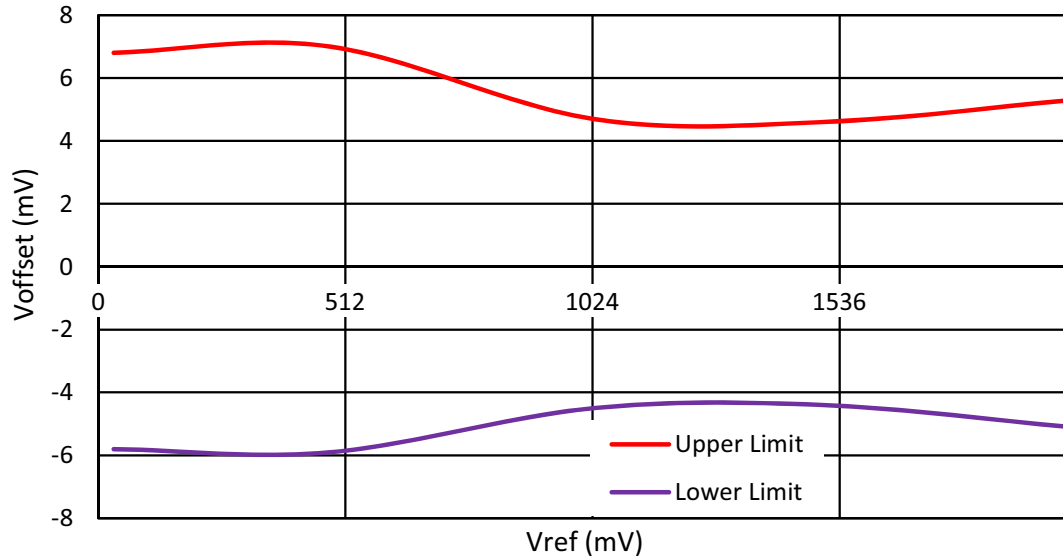


Figure 70: ACMPxH Input Offset Voltage vs. Vref at T = -40 °C to 85 °C, Input Buffer Disabled

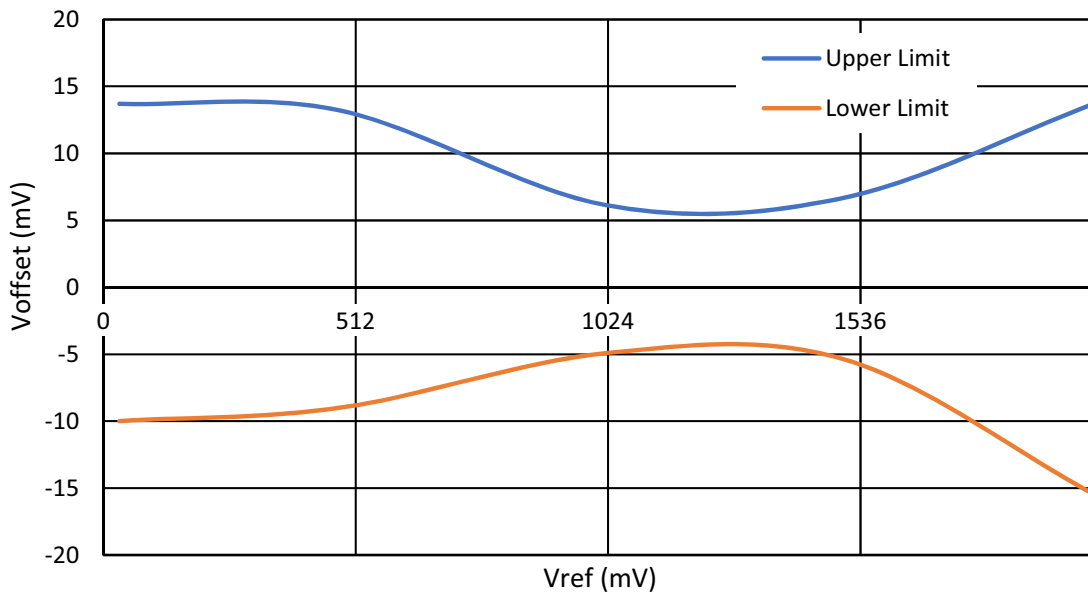


Figure 71: ACMPxH Input Offset Voltage vs. Vref at T = -40 °C to 85 °C, Input Buffer Enabled

GreenPAK Programmable Mixed-Signal Matrix

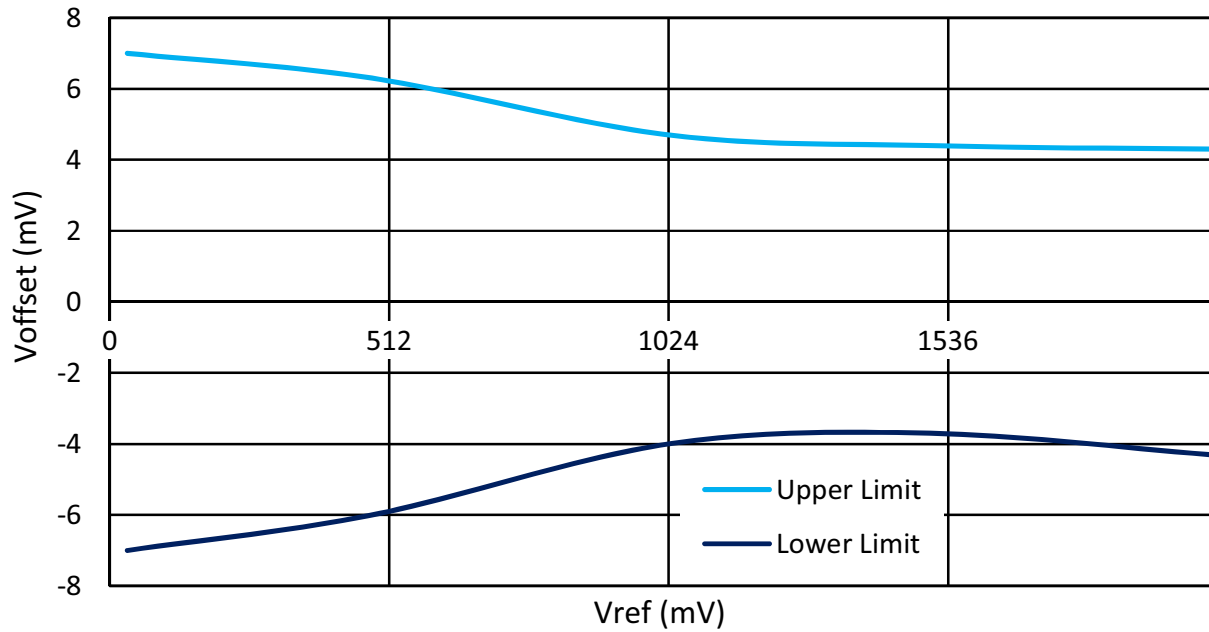


Figure 72: ACMPxL Input Offset Voltage vs. Vref at T = -40 °C to 85 °C

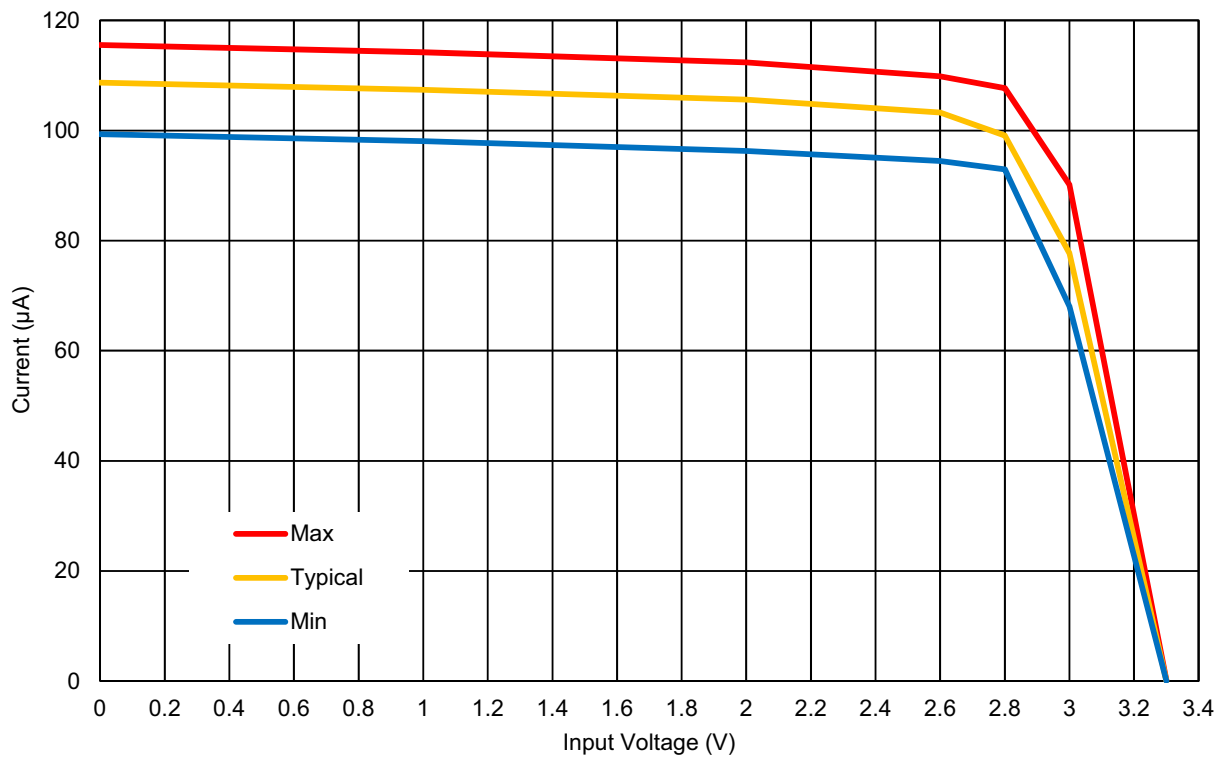


Figure 73: ACMP Input Current Source vs. Input Voltage at T = -40 °C to 85 °C, V_{DD} = 3.3 V

GreenPAK Programmable Mixed-Signal Matrix

10 Programmable Delay/Edge Detector

The SLG46855 has a programmable time delay logic cell that can generate a delay that is selectable from one of four timings (time2) configured in the GreenPAK Designer. The programmable time delay cell can generate one of four different delay patterns, rising edge detection, falling edge detection, both edge detection, and both edge delay. These four patterns can be further modified with the addition of delayed edge detection, which adds an extra unit of delay, as well as glitch rejection during the delay period. See Figure 74 for further information.

Note: The input signal must be longer than the delay, otherwise it will be filtered out.

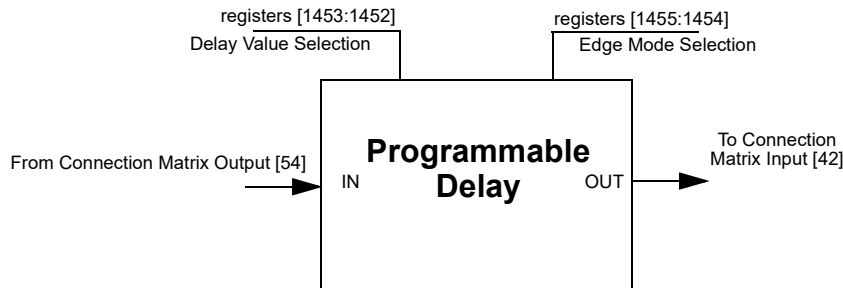


Figure 74: Programmable Delay

10.1 PROGRAMMABLE DELAY TIMING DIAGRAM - EDGE DETECTOR OUTPUT

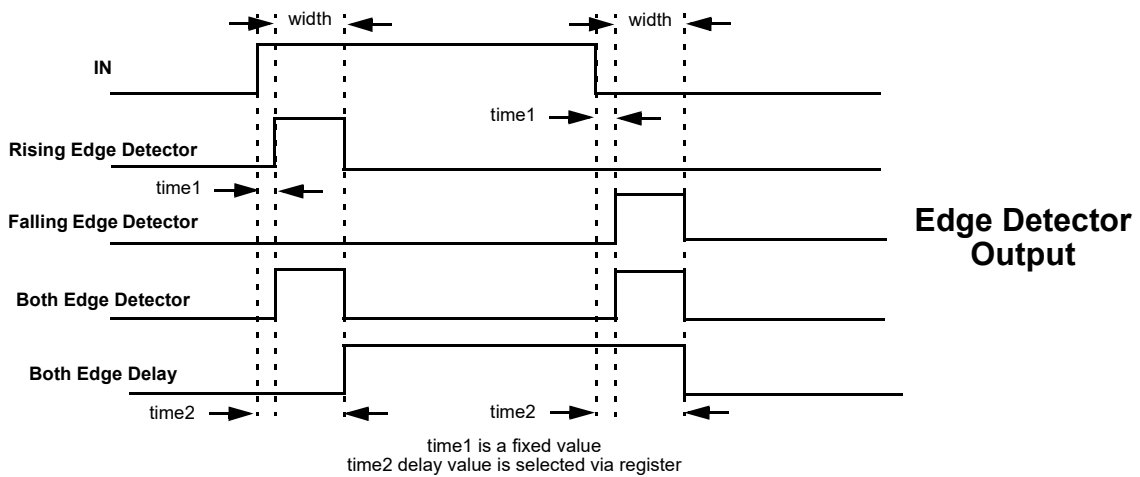


Figure 75: Edge Detector Output

Please refer to Table 10.

GreenPAK Programmable Mixed-Signal Matrix

11 Additional Logic Function. Deglitch Filter

The SLG46855 has one Deglitch Filter macrocell with inverter function that is connected directly to the Connection Matrix inputs and outputs. In addition, this macrocell can be configured as an Edge Detector, with the following settings:

- Rising Edge Detector
- Falling Edge Detector
- Both Edge Detector
- Both Edge Delay

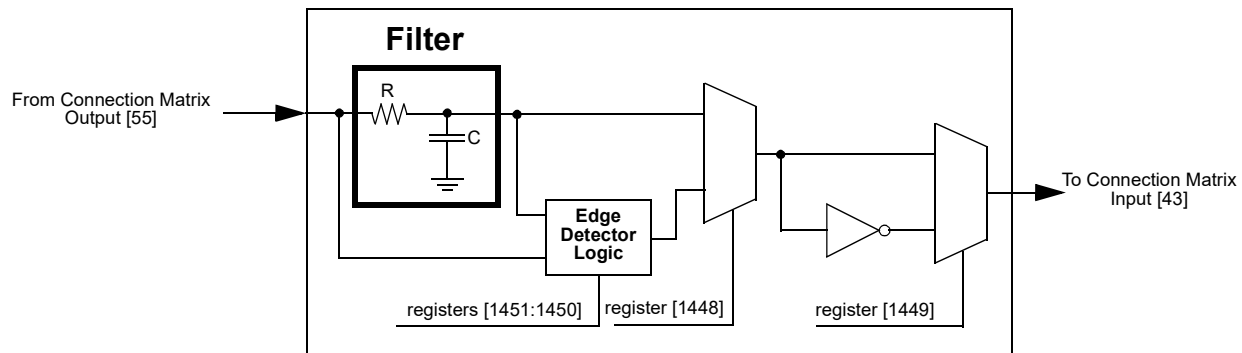


Figure 76: Deglitch Filter/Edge Detector

GreenPAK Programmable Mixed-Signal Matrix

12 Voltage Reference

12.1 VOLTAGE REFERENCE OVERVIEW

The SLG46855 has a Voltage Reference (Vref) macrocell to provide references to the four analog comparators. This macrocell can supply a user selection of fixed voltage references, or temperature sensor output. The macrocell also has the option to output reference voltages on GPIO8 and GPIO9. See [Table 52](#) for the available selections for each analog comparator.

Also see [Figure 77](#), which shows the reference output structure.

12.2 VREF SELECTION TABLE

Table 52: Vref Selection Table

SEL[5:0]	Vref	SEL[5:0]	Vref
0	0.032	32	1.056
1	0.064	33	1.088
2	0.096	34	1.12
3	0.128	35	1.152
4	0.16	36	1.184
5	0.192	37	1.216
6	0.224	38	1.248
7	0.256	39	1.28
8	0.288	40	1.312
9	0.32	41	1.344
10	0.352	42	1.376
11	0.384	43	1.408
12	0.416	44	1.44
13	0.448	45	1.472
14	0.48	46	1.504
15	0.512	47	1.536
16	0.544	48	1.568
17	0.576	49	1.6
18	0.608	50	1.632
19	0.64	51	1.664
20	0.672	52	1.696
21	0.704	53	1.728
22	0.736	54	1.76
23	0.768	55	1.792
24	0.8	56	1.824
25	0.832	57	1.856
26	0.864	58	1.888
27	0.896	59	1.92
28	0.928	60	1.952
29	0.96	61	1.984
30	0.992	62	2.016
31	1.024	63	External

GreenPAK Programmable Mixed-Signal Matrix

12.3 VREF BLOCK DIAGRAM

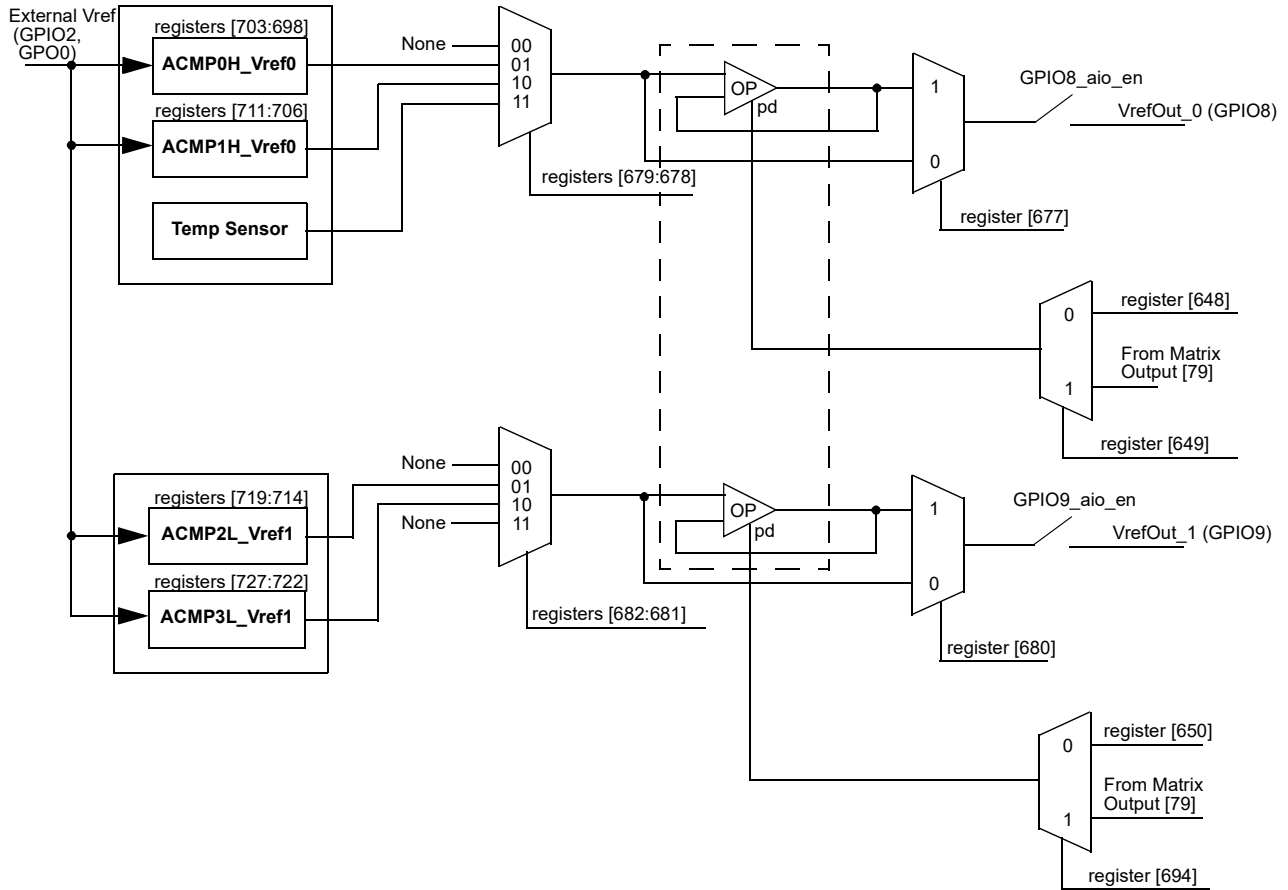


Figure 77: Voltage Reference Block Diagram

GreenPAK Programmable Mixed-Signal Matrix

12.4 VREF LOAD REGULATION

Note 1 It is not recommended to use Vref connected to external pin without buffer.

Note 2 Vref buffer performance is not guaranteed at $V_{DD} < 2.7$ V.

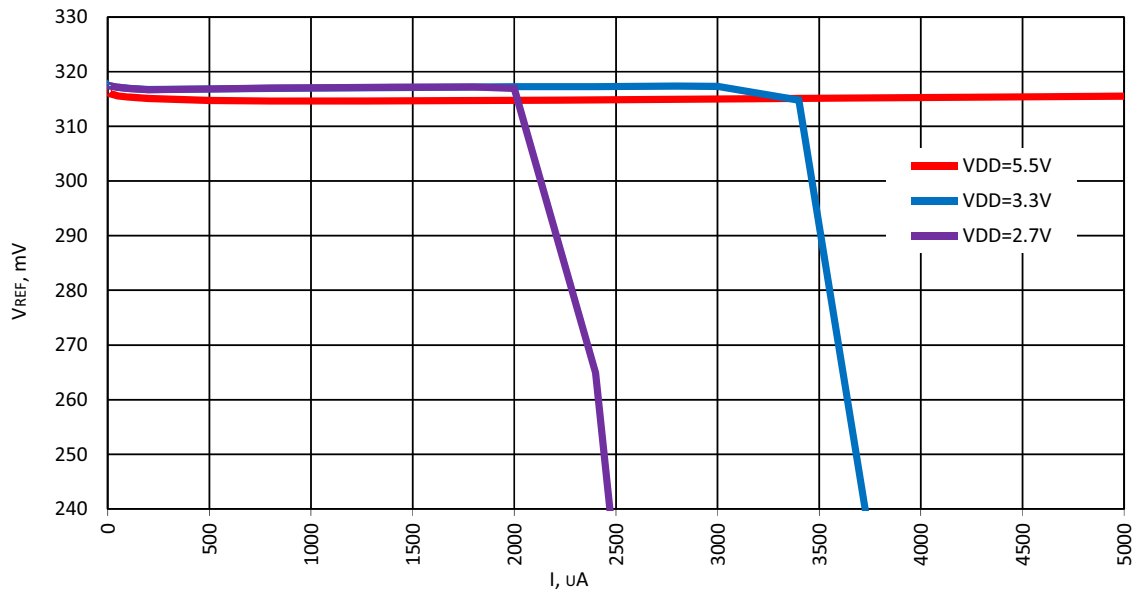


Figure 78: Typical Load Regulation, Vref = 320 mV, T = -40 °C to +85 °C, Buffer - Enable

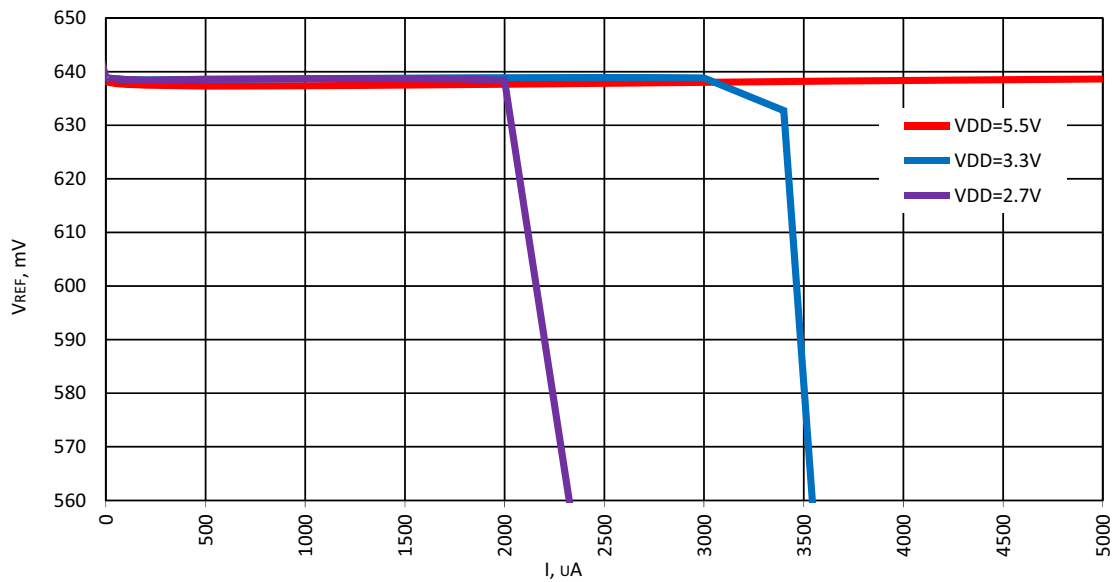


Figure 79: Typical Load Regulation, Vref = 640 mV, T = -40 °C to +85 °C, Buffer - Enable

GreenPAK Programmable Mixed-Signal Matrix

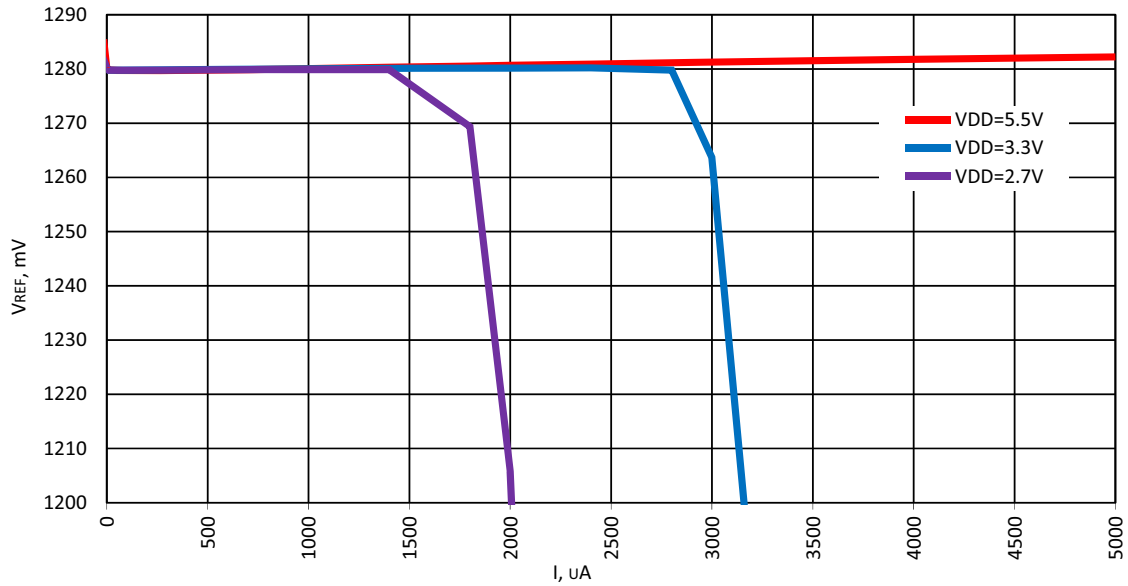


Figure 80: Typical Load Regulation, Vref = 1280 mV, T = -40 °C to +85 °C, Buffer - Enable

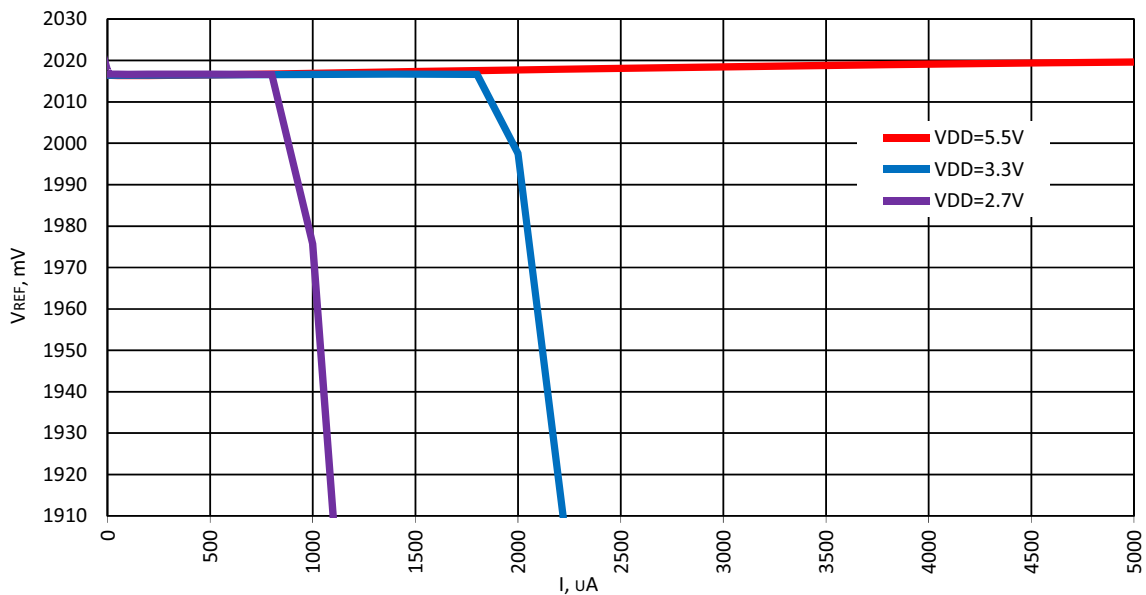


Figure 81: Typical Load Regulation, Vref = 2016 mV, T = -40 °C to +85 °C, Buffer - Enable

GreenPAK Programmable Mixed-Signal Matrix

13 Clocking

13.1 OSC GENERAL DESCRIPTION

The SLG46855 has three internal oscillators to support a variety of applications:

- Oscillator0 (2.048 kHz)
- Oscillator1 (2.048 MHz)
- Oscillator2 (25 MHz).

There are two divider stages for each oscillator that gives the user flexibility for introducing clock signals to connection matrix, as well as various other macrocells. The pre-divider (first stage) for Oscillator allows the selection of /1, /2, /4 or /8 to divide down frequency from the fundamental. The second stage divider has an input of frequency from the pre-divider, and outputs one of eight different frequencies divided by /1, /2, /3, /4, /8, /12, /24 or /64 on Connection Matrix Input lines [53], [54], and [55]. Please see [Figure 85](#) for more details on the SLG46855 clock scheme.

Oscillator2 (25 MHz) has an additional function of 100 ns delayed startup, which can be enabled/disabled by register [749]. This function is recommended to use when analog blocks are used along with the Oscillator.

The Matrix Power-down/Force On function allows switching off or force on the oscillator using an external pin. The Matrix Power-down/Force On (Connection Matrix Output [80], [81], [82]) signal has the highest priority. The OSC operates according to the following table:

Table 53: Oscillator Operation Mode Configuration Settings

POR	External Clock Selection	Signal From Connection Matrix	Register: Power-Down or Force On by Matrix Input	Register: Auto Power-On or Force On	OSC Enable Signal from CNT/DLY Macrocells	OSC Operation Mode
0	X	X	X	X	X	OFF
1	1	X	X	X	X	Internal OSC is OFF, logic is ON
1	0	1	0	X	X	OFF
1	0	1	1	X	X	ON
1	0	0	X	1	X	ON
1	0	0	X	0	CNT/DLY requires OSC	ON
1	0	0	X	0	CNT/DLY does not require OSC	OFF

Note 1 The OSC will run only when any macrocell that uses OSC is powered on.

GreenPAK Programmable Mixed-Signal Matrix

13.2 OSCILLATOR0 (2.048 KHZ)

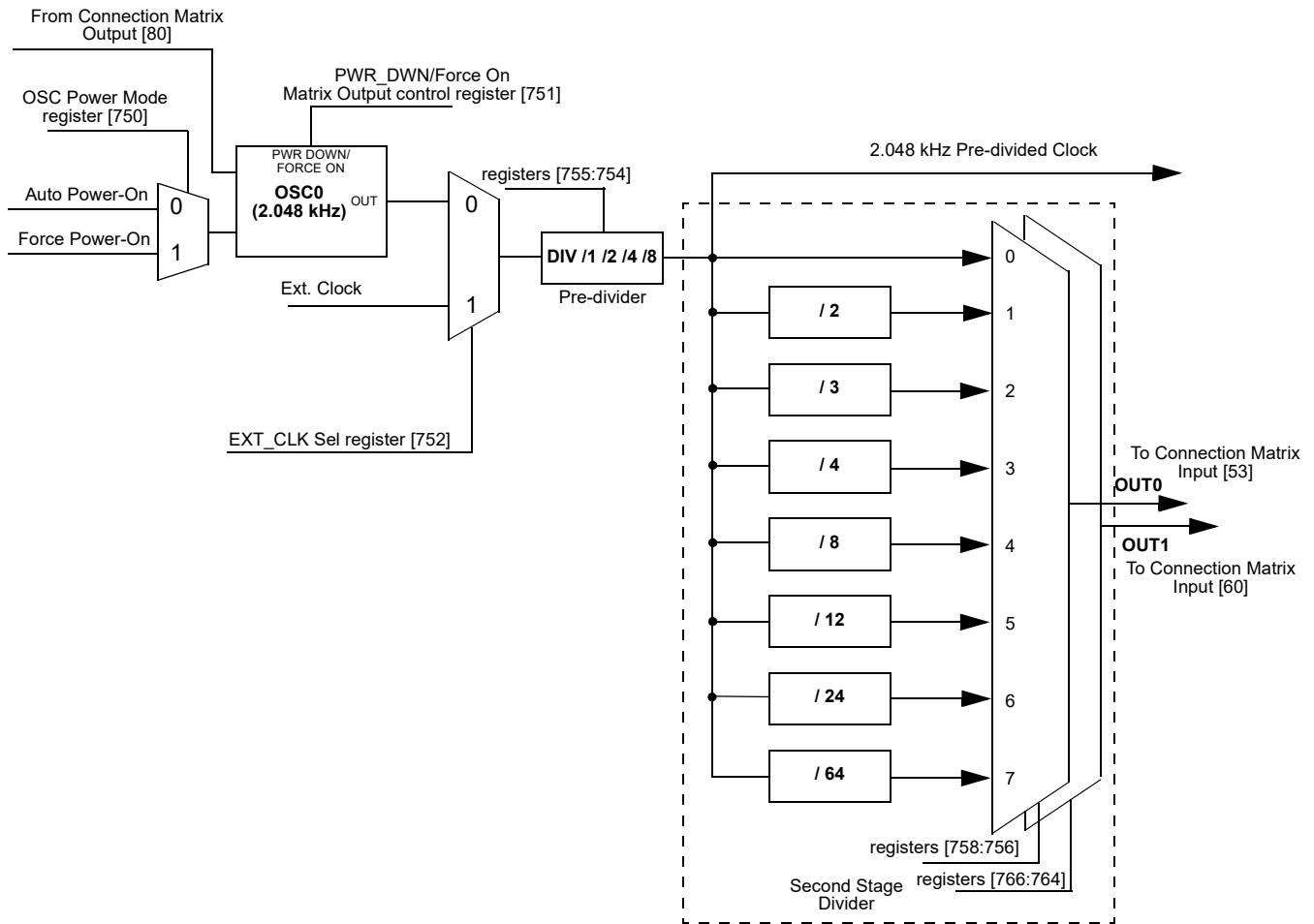


Figure 82: Oscillator0 Block Diagram

GreenPAK Programmable Mixed-Signal Matrix

13.3 OSCILLATOR1 (2.048 MHZ)

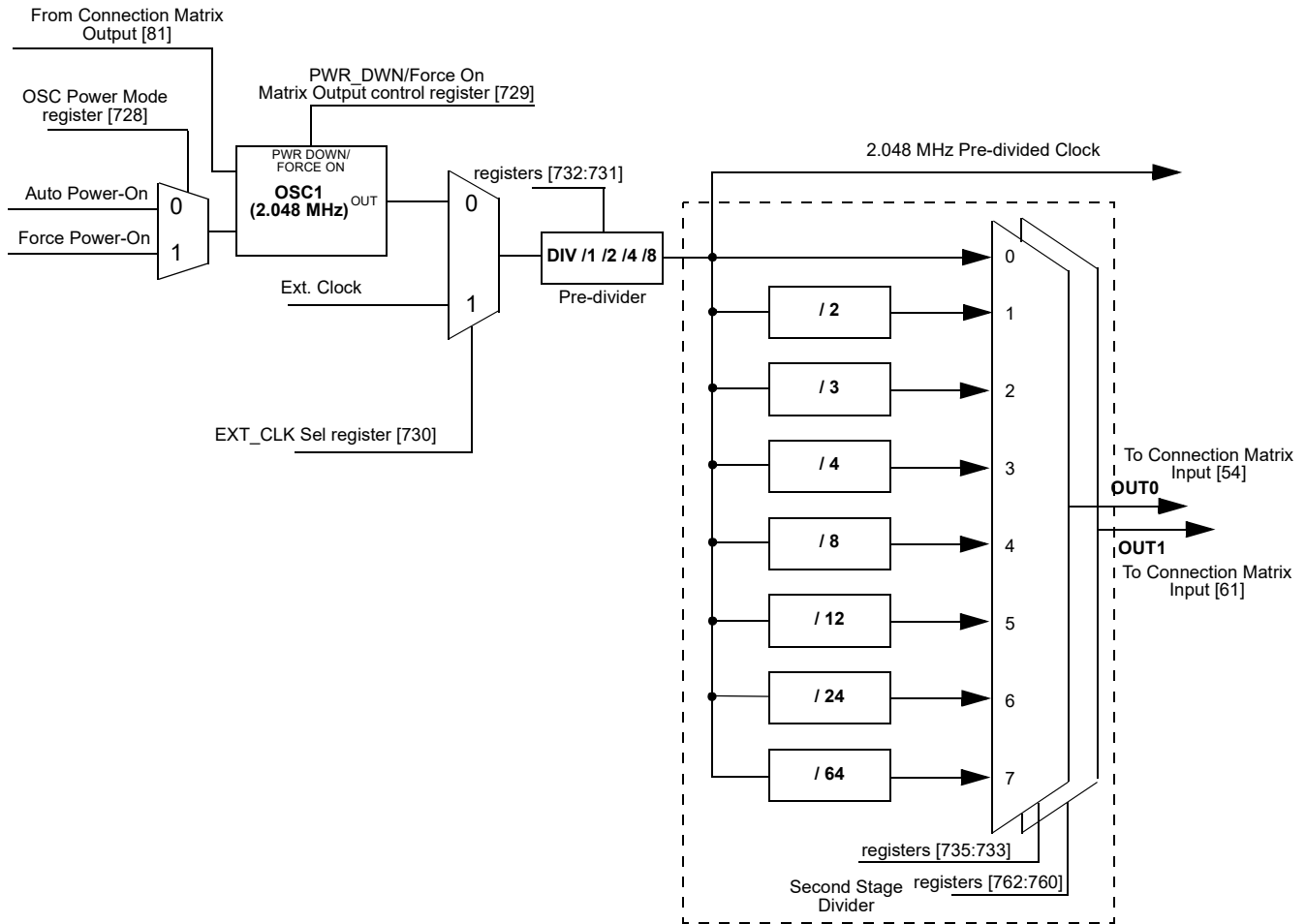


Figure 83: Oscillator1 Block Diagram

GreenPAK Programmable Mixed-Signal Matrix

13.4 OSCILLATOR2 (25 MHZ)

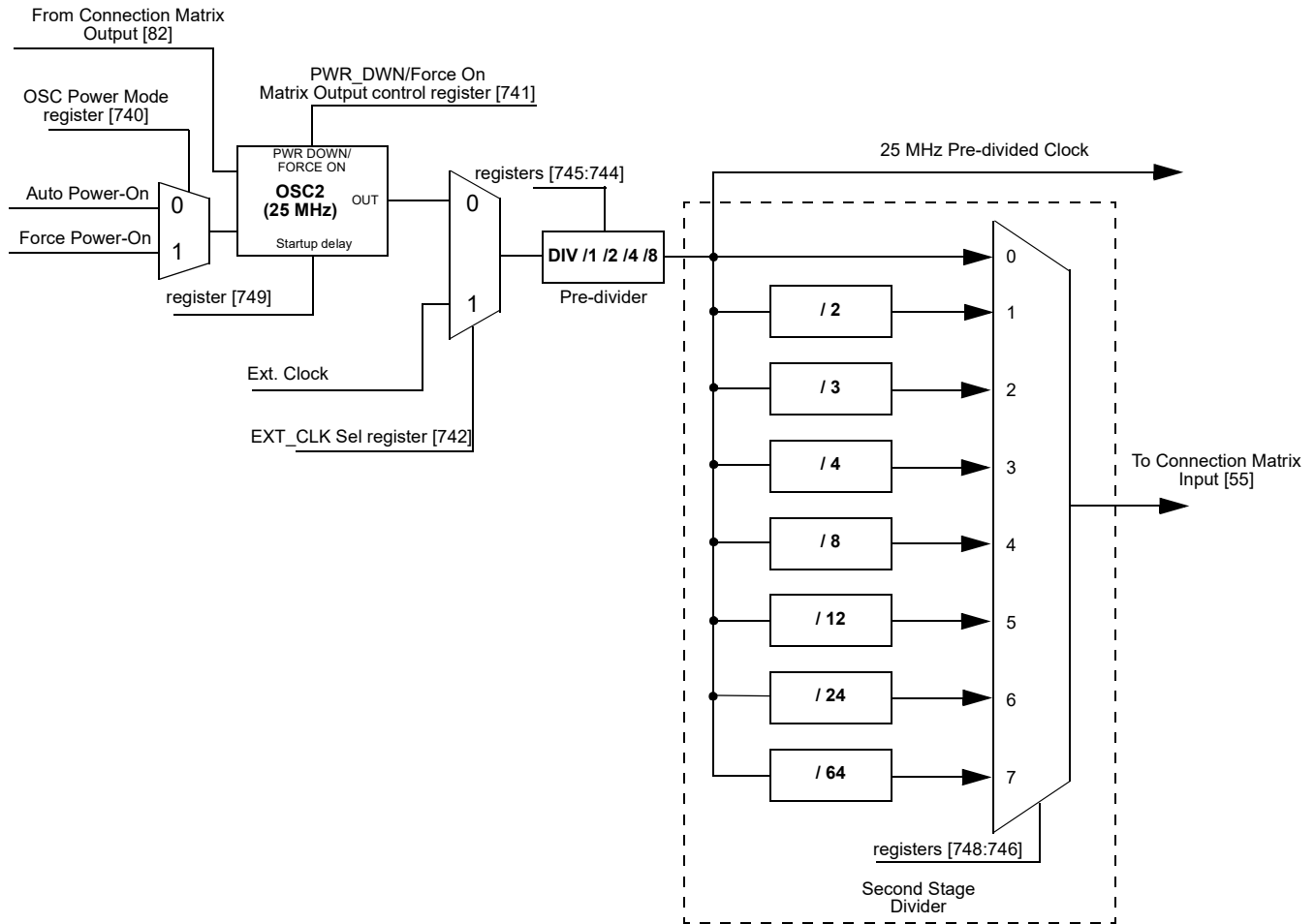


Figure 84: Oscillator2 Block Diagram

13.5 CNT/DLY CLOCK SCHEME

Each CNT/DLY within Multi-Function macrocell has its own additional clock divider connected to oscillators pre-divider. Available dividers are:

- OSC0/1, OSC0/8, OSC0/64, OSC0/512, OSC0/4096, OSC0/32768, OSC0/262144
- OSC1/1, OSC1/8, OSC1/64, OSC1/512
- OSC2/1, OSC2/4

GreenPAK Programmable Mixed-Signal Matrix

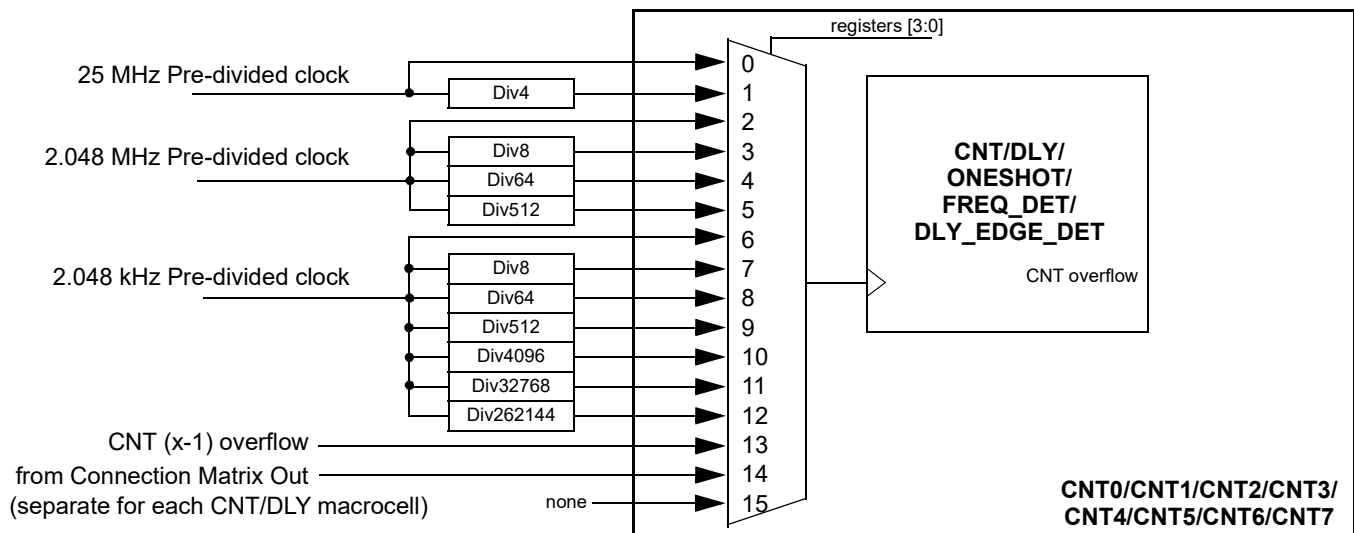


Figure 85: Clock Scheme

13.6 EXTERNAL CLOCKING

The SLG46855 supports several ways to use an external, higher accuracy clock as a reference source for internal operations.

13.6.1 GPIO Source for Oscillator0 (2.048 kHz)

When register [752] is set to 1, an external clocking signal on GPIO will be routed in place of the internal oscillator derived 2.048 kHz clock source. See [Figure 82](#). The low and high limits for external frequency that can be selected are 0 MHz and 10 MHz.

13.6.2 GPIO2 Source for Oscillator1 (2.048 MHz)

When register [730] is set to 1, an external clocking signal on GPIO2 will be routed in place of the internal oscillator derived 2.048 MHz clock source. See [Figure 83](#). The low and high limits for external frequency that can be selected are 0 MHz and 10 MHz.

13.6.3 GPIO8 Source for Oscillator 2 (25 MHz)

When register [742] is set to 1, an external clocking signal on GPIO8 will be routed in place of the internal oscillator derived 25 MHz clock source. See [Figure 84](#). The external frequency range is 0 MHz to 20 MHz at $V_{DD} = 2.3$ V, 30 MHz at $V_{DD} = 3.3$ V, 50 MHz at $V_{DD} = 5.0$ V. When an external clock is selected for OSC2, the oscillator's output signal will be inverted with respect to the GPIO8 input signal.

GreenPAK Programmable Mixed-Signal Matrix

13.7 OSCILLATORS POWER-ON DELAY

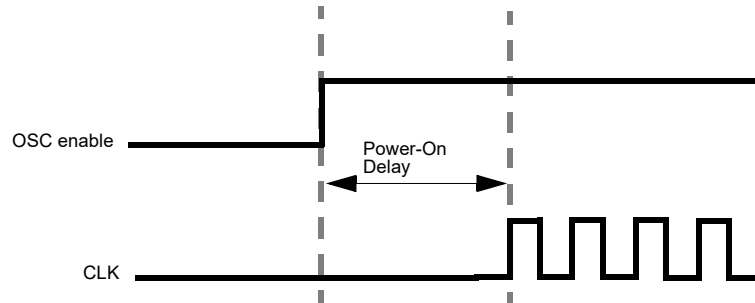


Figure 86: Oscillator Startup Diagram

Note 1 OSC power mode: “Auto Power-On”.

Note 2 “OSC enable” signal appears when any macrocell that uses OSC is powered on.

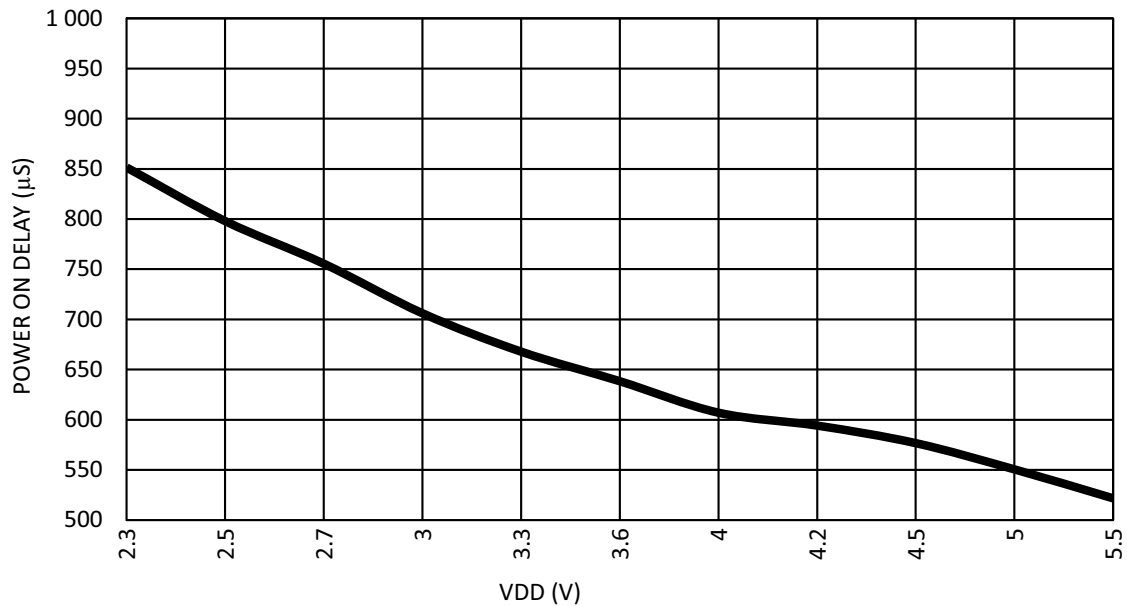


Figure 87: Oscillator0 Maximum Power-On Delay vs. V_{DD} at T = 25 °C, OSC0 = 2.048 kHz

GreenPAK Programmable Mixed-Signal Matrix

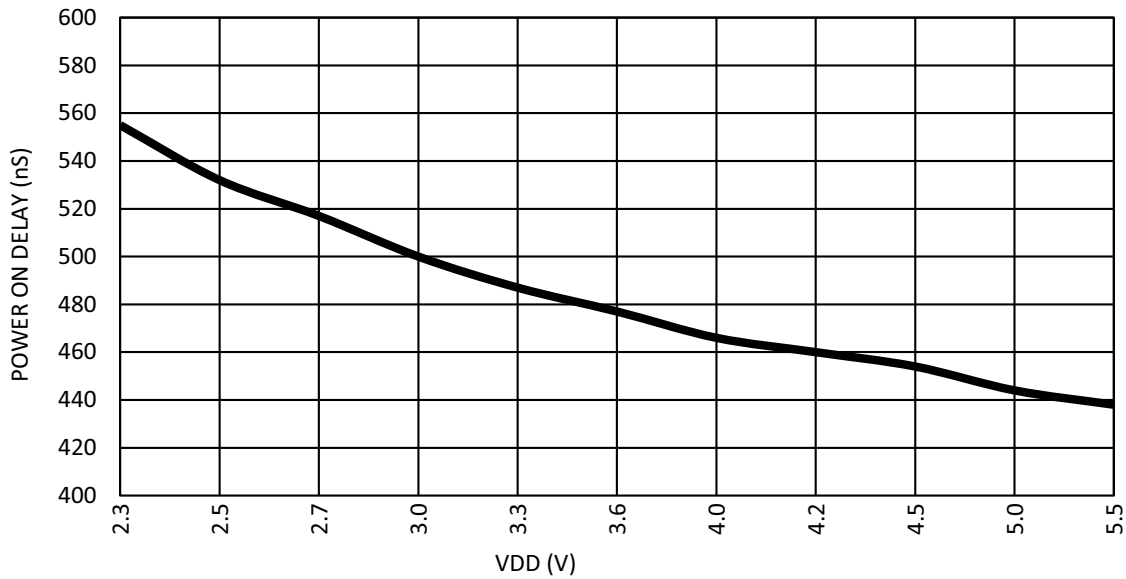


Figure 88: Oscillator1 Maximum Power-On Delay vs. V_{DD} at T = 25 °C, OSC1 = 2.048 MHz

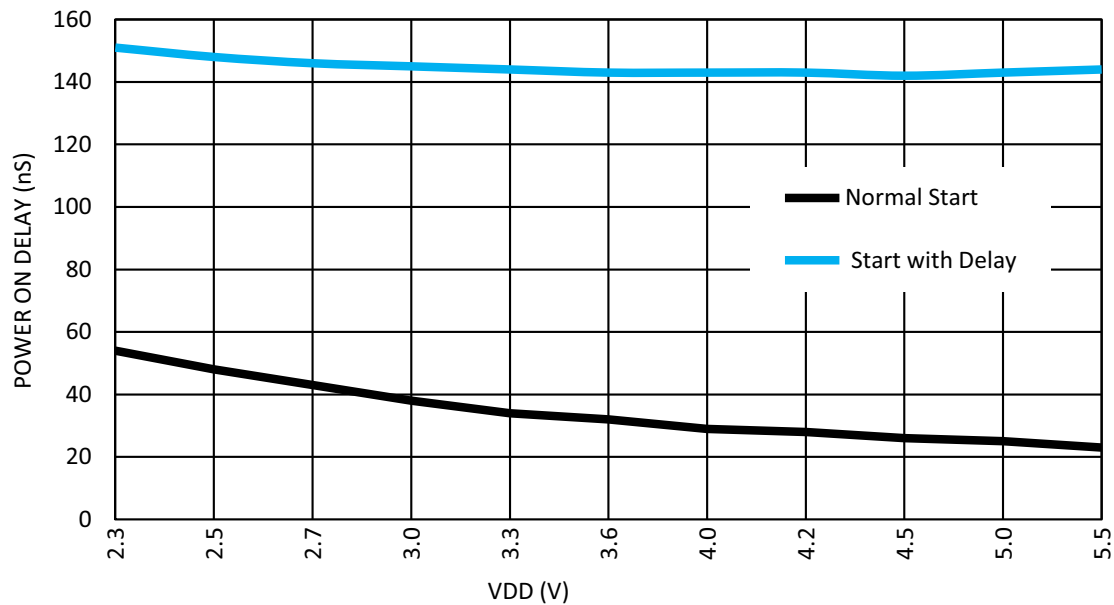


Figure 89: Oscillator2 Maximum Power-On Delay vs. V_{DD} at T = 25 °C, OSC2 = 25 MHz

GreenPAK Programmable Mixed-Signal Matrix

13.8 OSCILLATORS ACCURACY

Note: OSC power setting: Force Power-On; Clock to matrix input - enable; Bandgap: turn on by register - enable.

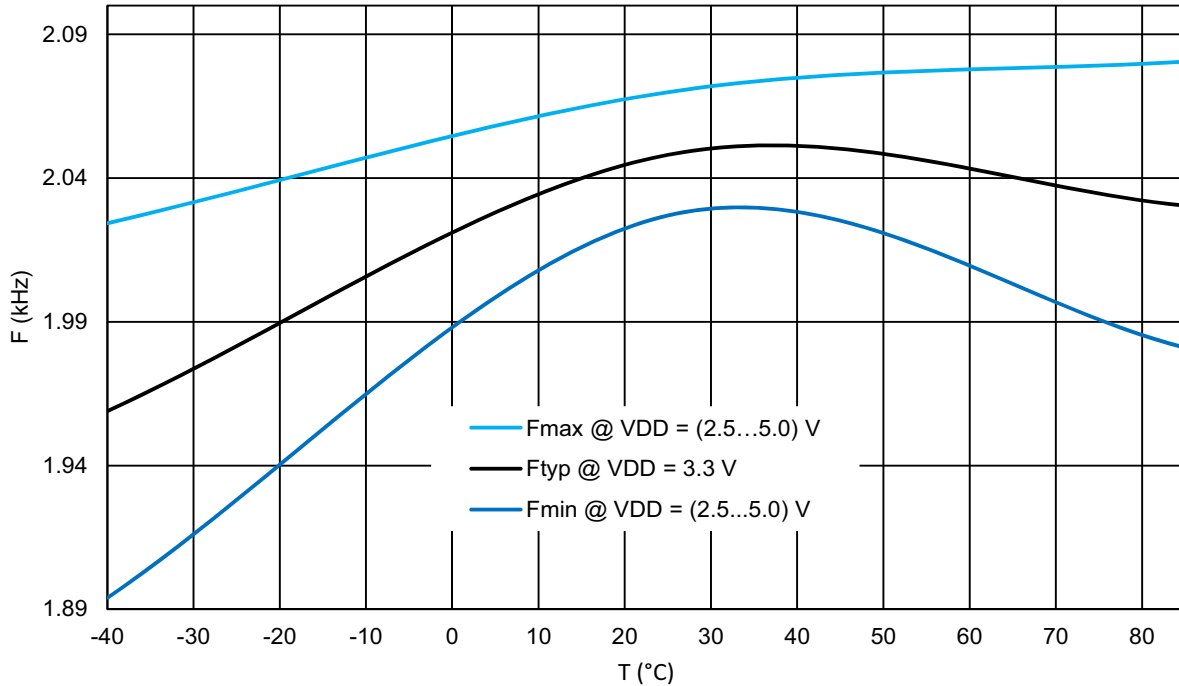


Figure 90: Oscillator0 Frequency vs. Temperature, OSC0 = 2.048 kHz

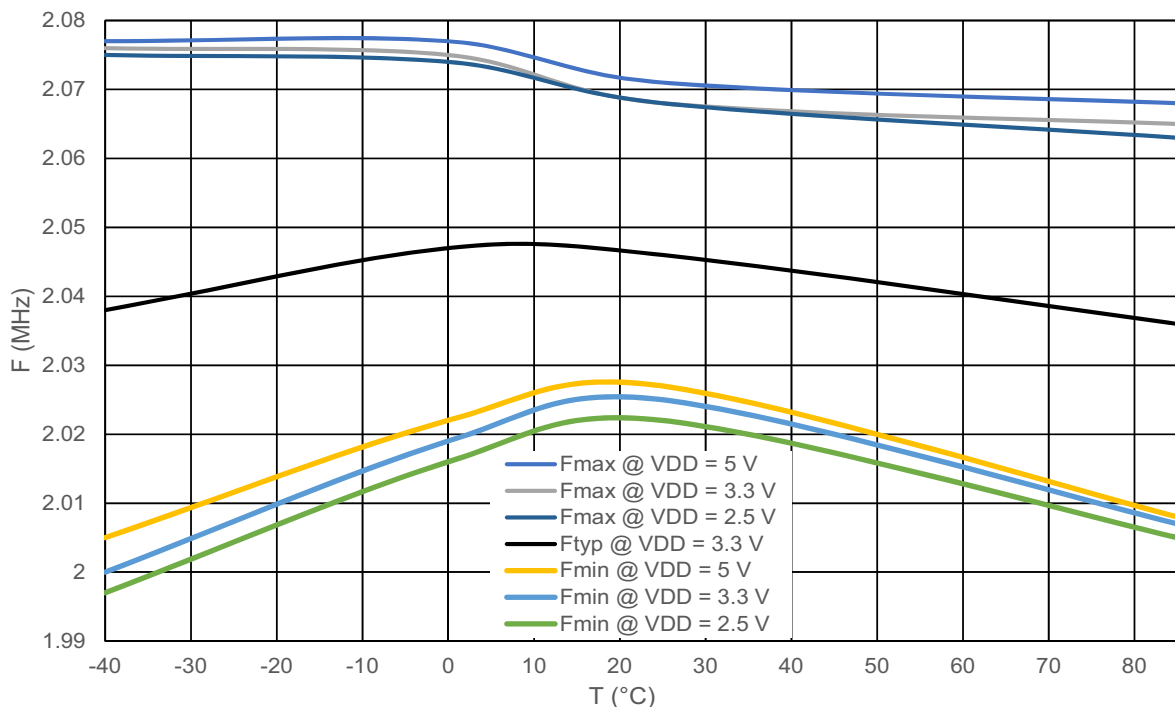


Figure 91: Oscillator1 Frequency vs. Temperature, OSC1 = 2.048 MHz

GreenPAK Programmable Mixed-Signal Matrix

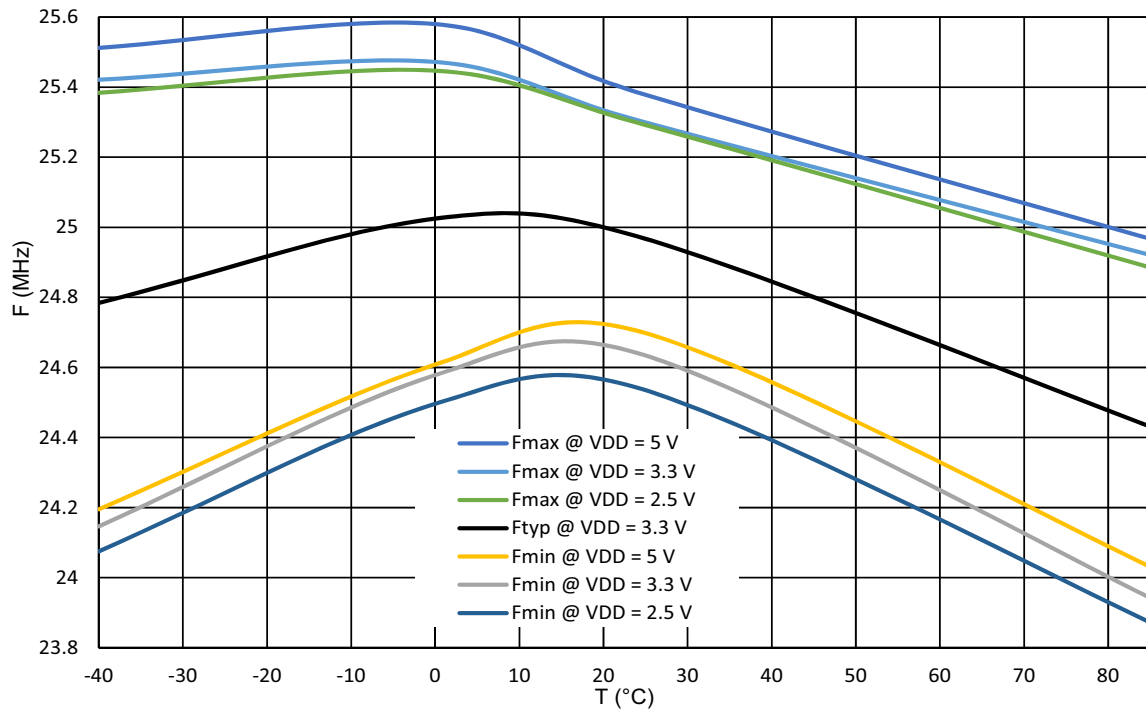


Figure 92: Oscillator2 Frequency vs. Temperature, OSC2 = 25 MHz

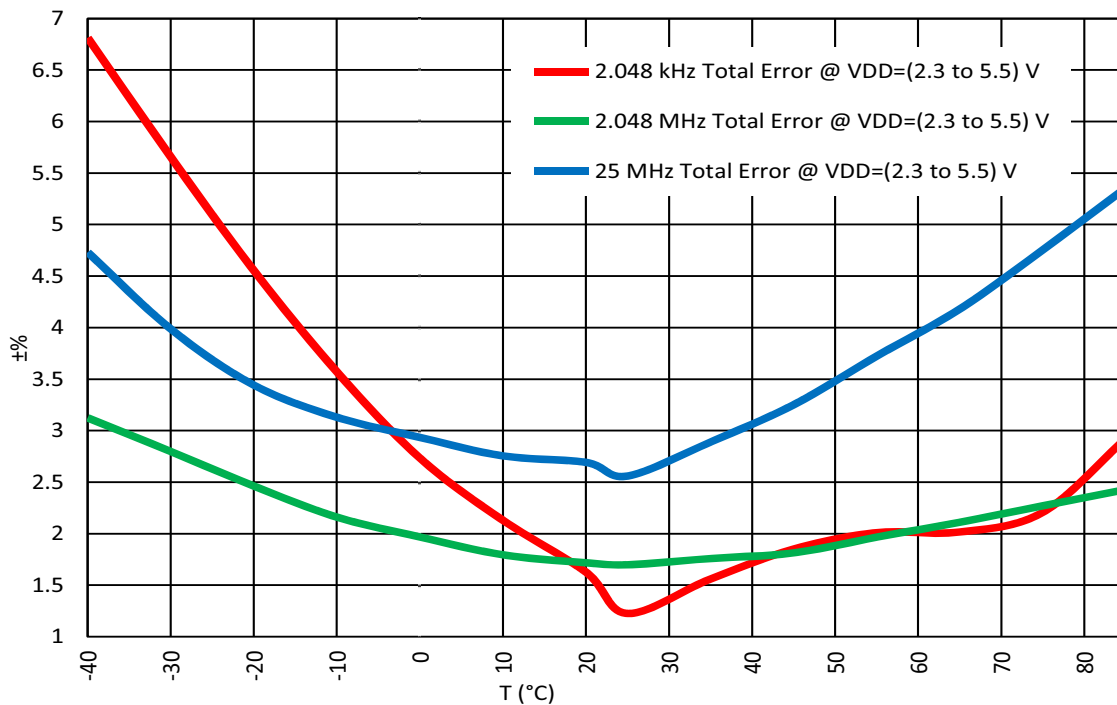


Figure 93: Oscillators Total Error vs. Temperature

GreenPAK Programmable Mixed-Signal Matrix

Note: For more information see Section [3.7](#).

14 Power-On Reset

The SLG46855 has a Power-On Reset (POR) macrocell to ensure correct device initialization and operation of all macrocells in the device. The purpose of the POR circuit is to have consistent behavior and predictable results when the V_{DD} power is first ramping to the device, and also while the V_{DD} is falling during power-down. To accomplish this goal, the POR drives a defined sequence of internal events that trigger changes to the states of different macrocells inside the device, and finally to the state of the IOs.

14.1 GENERAL OPERATION

The SLG46855 is guaranteed to be powered down and non-operational when the V_{DD} voltage (voltage on PIN1) is less than Power-Off Threshold (see in [Table 6](#)), but not less than -0.6 V. Another essential condition for the chip to be powered down is that no voltage higher (Note) than the V_{DD} voltage is applied to any other PIN. For example, if V_{DD} voltage is 0.3 V, applying a voltage higher than 0.3 V to any other PIN is incorrect, and can lead to incorrect or unexpected device behavior.

Note: There is a 0.6 V margin due to forward drop voltage of the ESD protection diodes.

To start the POR sequence in the SLG46855, the voltage applied on the V_{DD} should be higher than the Power-On threshold (Note). The full operational V_{DD} range for the SLG46855 is 2.3 V to 5.5 V. This means that the V_{DD} voltage must ramp up to the operational voltage value, but the POR sequence will start earlier, as soon as the V_{DD} voltage rises to the Power-On threshold. After the POR sequence has started, the SLG46855 will have a typical period of time to go through all the steps in the sequence (noted in the datasheet for that device), and will be ready and completely operational after the POR sequence is complete.

Note: The Power-On threshold is defined in [Table 6](#).

To power down the chip the V_{DD} voltage should be lower than the operational and to guarantee that chip is powered down it should be less than Power-Off Threshold.

All PINs are in high impedance state when the chip is powered down and while the POR sequence is taking place. The last step in the POR sequence releases the IO structures from the high impedance state, at which time the device is operational. The pin configuration at this point in time is defined by the design programmed into the chip. Also, as it was mentioned before, the voltage on PINs can't be bigger than the V_{DD} , this rule also applies to the case when the chip is powered on.

GreenPAK Programmable Mixed-Signal Matrix

14.2 POR SEQUENCE

The POR system generates a sequence of signals that enable certain macrocells. The sequence is shown in [Figure 94](#).

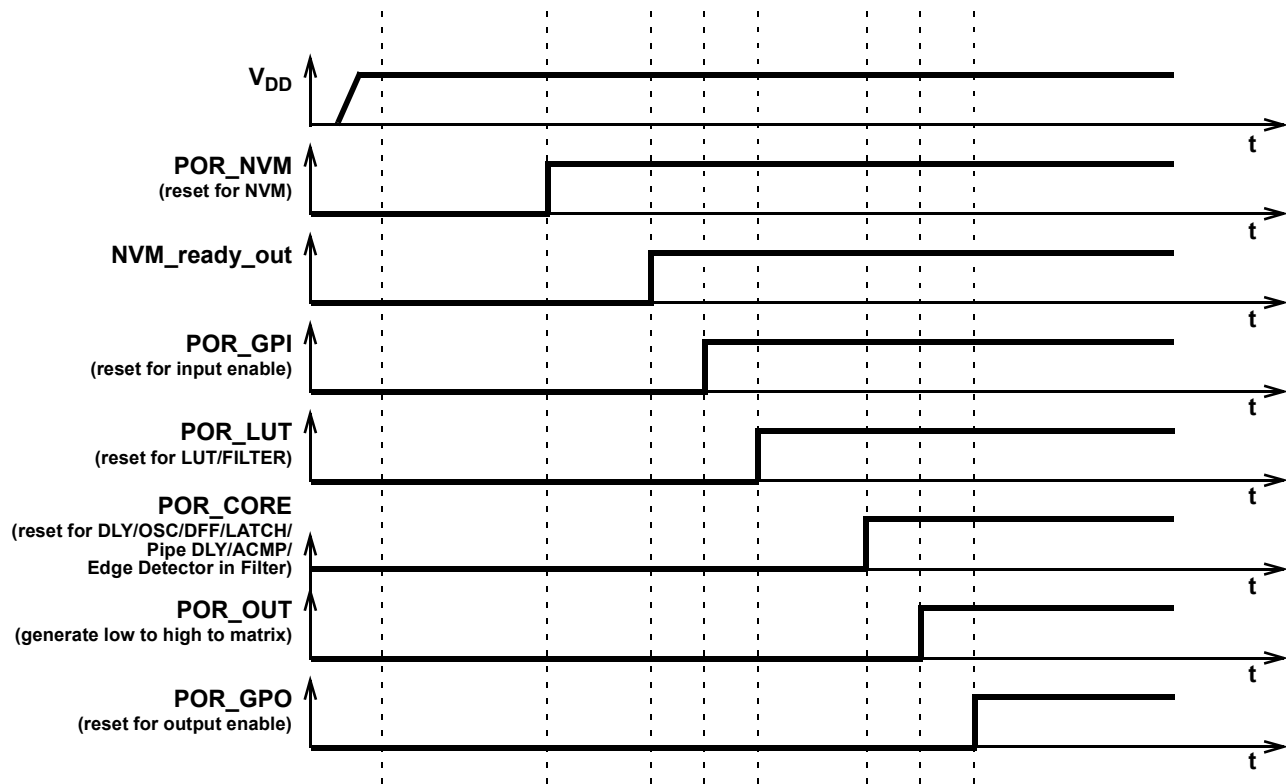


Figure 94: POR Sequence

As can be seen from [Figure 94](#) after the V_{DD} has start ramping up and crosses the Power-On threshold, first, the on-chip NVM memory is reset. Next, the chip reads the data from NVM, and transfers this information to a CMOS LATCH that serves to configure each macrocell, and the Connection Matrix which routes signals between macrocells. The third stage causes the reset of the input pins, and then to enable them. After that, the LUTs are reset and become active. After LUTs the Delay cells, OSCs, DFFs, LATCHES, and Pipe Delay are initialized. Only after all macrocells are initialized internal POR signal (POR macrocell output) goes from LOW to HIGH. The last portion of the device to be initialized are the output pins, which transition from high impedance to active at this point.

The typical time that takes to complete the POR sequence varies by device type in the GreenPAK family. It also depends on many environmental factors, such as: slew rate, V_{DD} value, temperature, and even will vary from chip to chip (process influence).

14.3 MACROCELLS OUTPUT STATES DURING POR SEQUENCE

To have a full picture of SLG46855 operation during powering and POR sequence, review the overview the macrocell output states during the POR sequence ([Figure 95](#) describes the output signals states).

First, before the NVM has been reset, all macrocells have their output set to logic LOW (except the output pins which are in high impedance state). On the next step, some of the macrocells start initialization: input pins output state becomes LOW; LUTs also output LOW. Only P_DLY macrocell configured as edge detector becomes active at this time. After that input pins are enabled.

GreenPAK Programmable Mixed-Signal Matrix

Next, only LUTs are configured. Next, all other macrocells are initialized. After macrocells are initialized, internal POR matrix signal switches from LOW to HIGH. The last are output pins that become active and determined by the input signals.

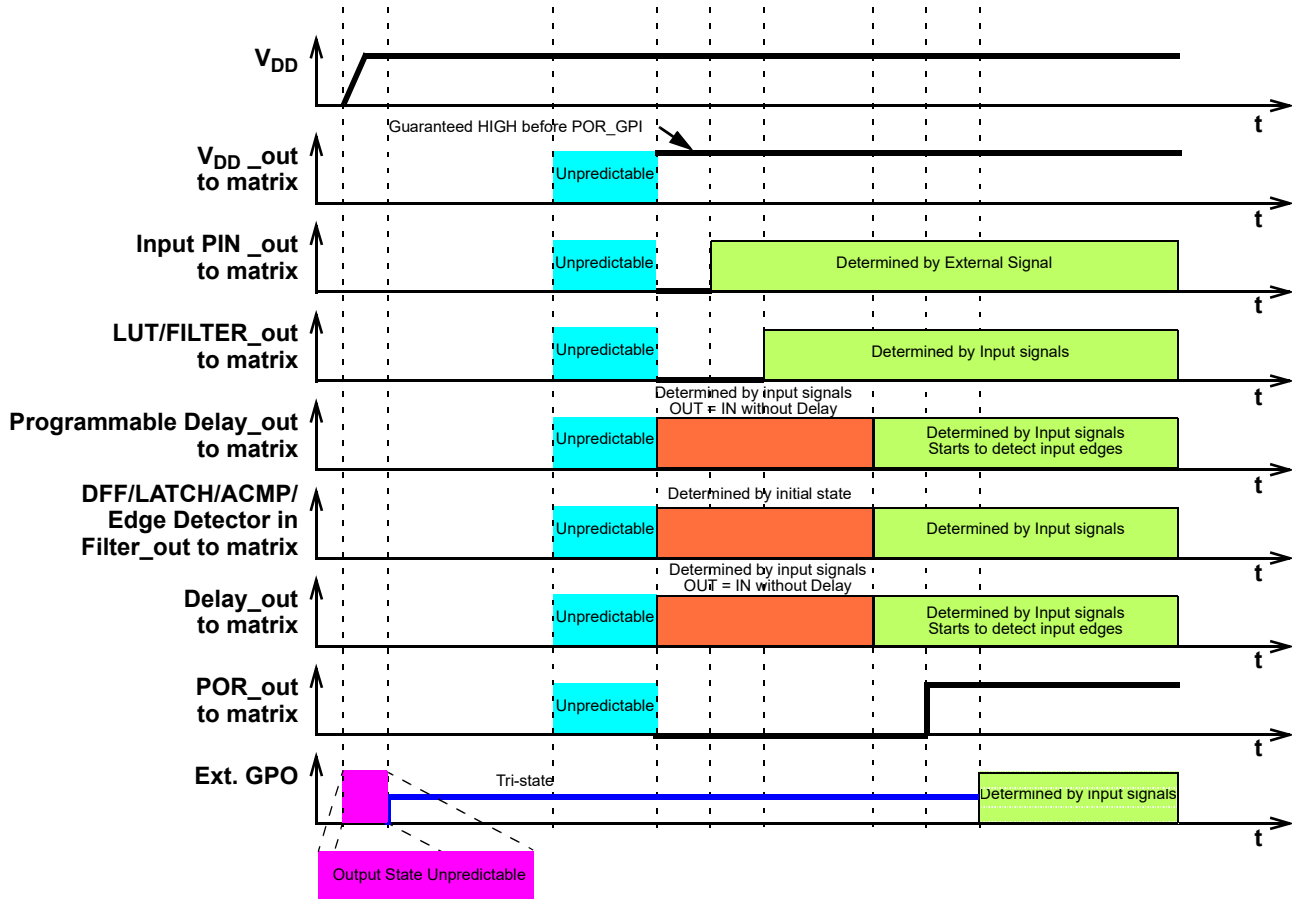


Figure 95: Internal Macrocell States During POR Sequence

14.3.1 Initialization

All internal macrocells by default have initial low level. Starting from indicated power-up time of 1.6 V to 2.05 V, macrocells in SLG46855 are powered on while forced to the reset state. All outputs are in Hi-Z and chip starts loading data from NVM. Then the reset signal is released for internal macrocells and they start to initialize according to the following sequence:

1. Input pins, ACMP, Pull-up/down.
2. LUTs.
3. DFFs, Delays/Counters, Pipe Delay.
4. POR output to matrix.
5. Output pin corresponds to the internal logic.

The Vref output pin driving signal can precede POR output signal going high by 3 μs to 5 μs. The POR signal going high indicates the mentioned power-up sequence is complete.

Note: The maximum voltage applied to any pin should not be higher than the V_{DD} level. There are ESD Diodes between pin → V_{DD} and pin → GND on each pin. So, if the input signal applied to pin is higher than V_{DD}, then current will sink through the diode to V_{DD}. Exceeding V_{DD} results in leakage current on the input pin, and V_{DD} will be pulled up, following the voltage on the input pin. There is no effect from input pin when input voltage is applied at the same time as V_{DD}.

GreenPAK Programmable Mixed-Signal Matrix

14.3.2 Power-Down

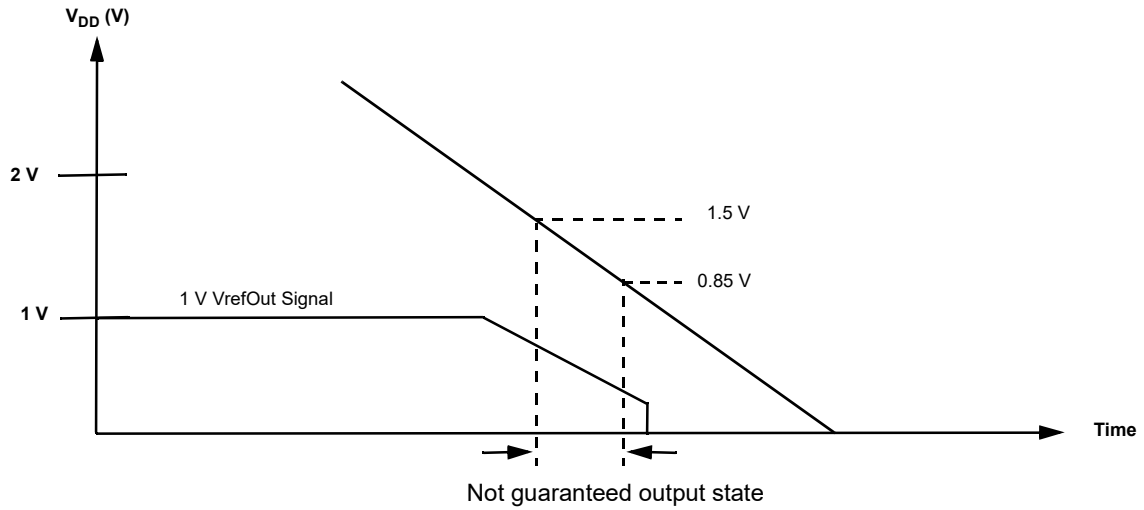


Figure 96: Power-Down

During Power-down, macrocells in SLG46855 are powered off after V_{DD} falling down below Power-Off Threshold. Please note that during a slow rampdown, outputs can possibly switch state during this time.

GreenPAK Programmable Mixed-Signal Matrix

15 I²C Serial Communications Macrocell

15.1 I²C SERIAL COMMUNICATIONS MACROCELL OVERVIEW

In the standard use case for the GreenPAK devices, the configuration choices made by the user are stored as bit settings in the Non-Volatile Memory (NVM), and this information is transferred at startup time to volatile RAM registers that enable the configuration of the macrocells. Other RAM registers in the device are responsible for setting the connections in the Connection Matrix to route signals in the manner most appropriate for the user's application.

The I²C Serial Communications Macrocell in this device allows an I²C bus Master to read and write this information via a serial channel directly to the RAM registers, allowing the remote re-configuration of macrocells, and remote changes to signal chains within the device.

An I²C bus Master is also able read and write other register bits that are not associated with NVM memory. As an example, the input lines to the Connection Matrix can be read as digital register bits. These are the signal outputs of each of the macrocells in the device, giving an I²C bus Master the capability to remotely read the current value of any macrocell.

The user has the flexibility to control read access and write access via registers bits registers [1967:1965]. See Section 15.5 for more details on I²C read/write memory protection.

15.2 I²C SERIAL COMMUNICATIONS DEVICE ADDRESSING

Each command to the I²C Serial Communications macrocell begins with a Control Byte. The bits inside this Control Byte are shown in Figure 97. After the Start bit, the first four bits are a control code. Each bit in a control code can be sourced independently from the register or by value defined externally GPIO, GPIO2, GPIO4, and GPIO5. The LSB of the control code is defined by the value of GPIO, while the MSB is defined by the value of GPIO5. The address source (either register bit or PIN) for each bit in the control code is defined by registers [2027:2024]. This gives the user flexibility on the chip level addressing of this device and other devices on the same I²C bus. The Block Address is the next three bits (A10, A9, A8), which will define the most significant bits in the addressing of the data to be read or written by the command. The last bit in the Control Byte is the R/W bit, which selects whether a read command or write command is requested, with a "1" selecting for a Read command, and a "0" selecting for a Write command. This Control Byte will be followed by an Acknowledge bit (ACK), which is sent by this device to indicate successful communication of the Control Byte data.

In the I²C-bus specification and user manual, there are two groups of eight addresses (0000 xxx and 1111 xxx) that are reserved for the special functions, such as a system General Call address. If the user of this device chooses to set the Control Code to either "1111" or "0000" in a system with other slave device, please consult the I²C-bus specification and user manual to understand the addressing and implementation of these special functions, to insure reliable operation.

In the read and write command address structure, there are a total of 11 bits of addressing, each pointing to a unique byte of information, resulting in a total address space of 2K bytes. Of this 2K byte address space, the valid addresses accessible to the I²C Macrocell on the SLG46855 are in the range from 0 (0x00) to 255 (0xFF). The MSB address bits (A10, A9, and A8) will be "0" for all commands to the SLG46855.

With the exception of the Current Address Read command, all commands will have the Control Byte followed by the Word Address. Figure 97 shows this basic command structure.

GreenPAK Programmable Mixed-Signal Matrix

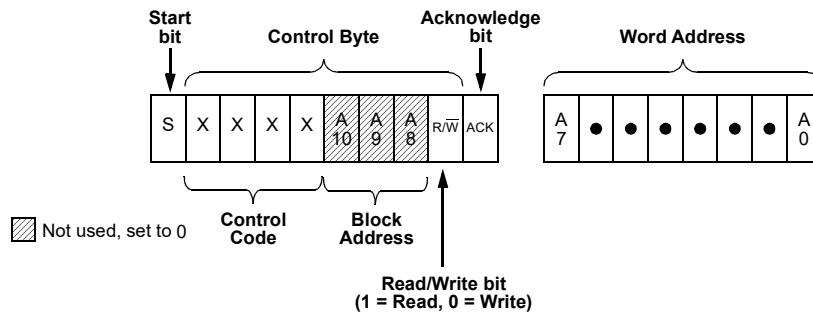


Figure 97: Basic Command Structure

15.3 I²C SERIAL GENERAL TIMING

General timing characteristics for the I²C Serial Communications macrocell are shown in Figure 98. Timing specifications can be found in the AC Characteristics section.

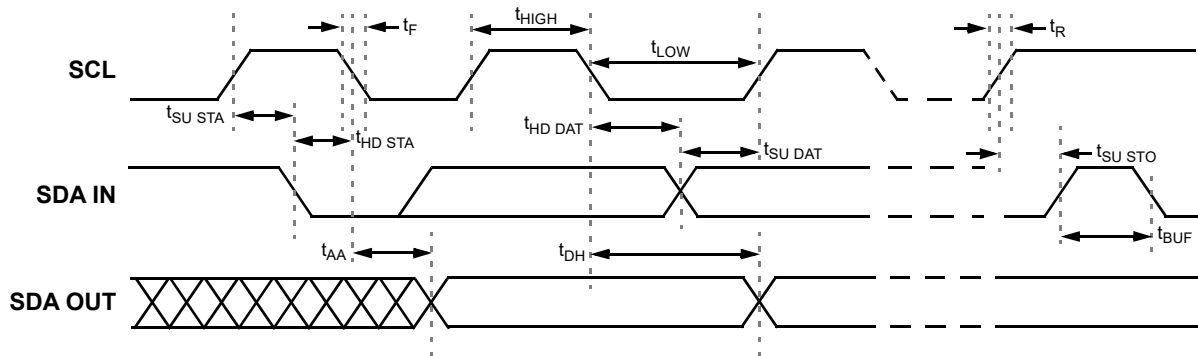


Figure 98: I²C General Timing Characteristics

15.4 I²C SERIAL COMMUNICATIONS COMMANDS

15.4.1 Byte Write Command

Following the Start condition from the Master, the Control Code [4 bits], the Block Address [3 bits], and the R/W bit (set to “0”), are placed onto the I²C bus by the Master. After the SLG46855 sends an Acknowledge bit (ACK), the next byte transmitted by the Master is the Word Address. The Block Address (A10, A9, A8), combined with the Word Address (A7 through A0), together set the internal address pointer in the SLG46855, where the data byte is to be written. After the SLG46855 sends another Acknowledge bit, the Master will transmit the data byte to be written into the addressed memory location. The SLG46855 again provides an Acknowledge bit and then the Master generates a Stop condition. The internal write cycle for the data will take place at the time that the SLG46855 generates the Acknowledge bit.

It is possible to latch all IOs during I²C write command, register [1961] = 1 - Enable. It means that IOs will remain their state until the write command is done.

GreenPAK Programmable Mixed-Signal Matrix

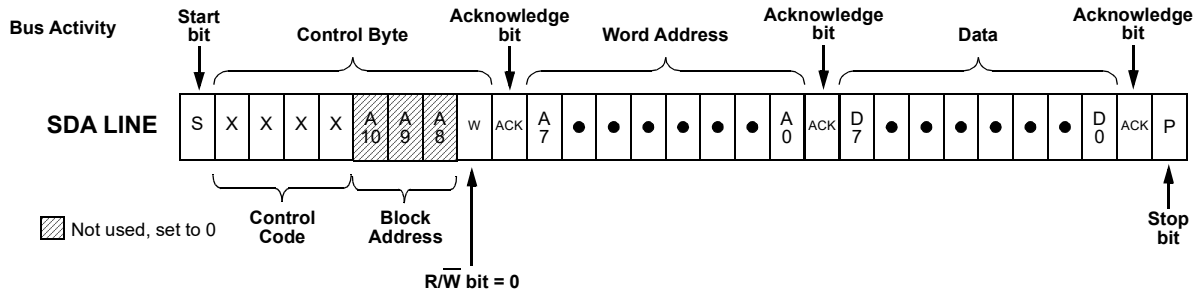


Figure 99: Byte Write Command, $\overline{R/W} = 0$

15.4.2 Sequential Write Command

The write Control Byte, Word Address and the first data byte are transmitted to the SLG46855 in the same way as in a Byte Write command. However, instead of generating a Stop condition, the Bus Master continues to transmit data bytes to the SLG46855. Each subsequent data byte will increment the internal address counter, and will be written into the next higher byte in the command addressing. As in the case of the Byte Write command, the internal write cycle will take place at the time that the SLG46855 generates the Acknowledge bit.

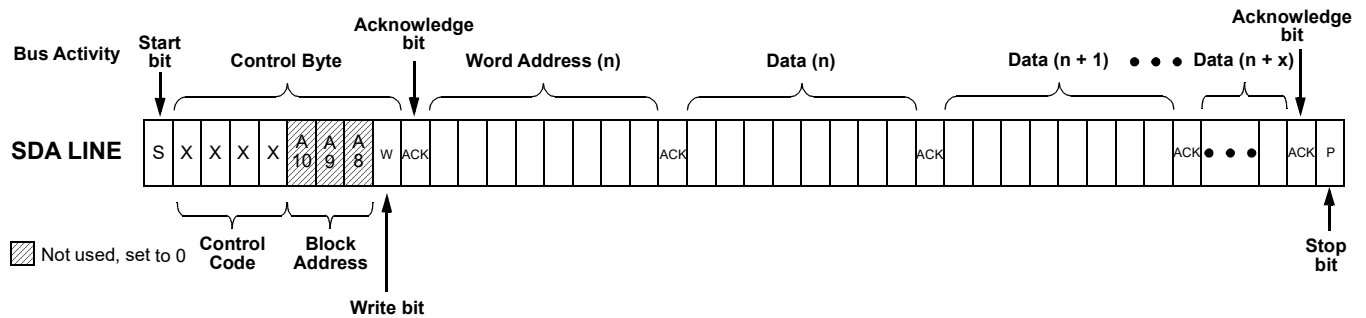


Figure 100: Sequential Write Command

15.4.3 Current Address Read Command

The Current Address Read Command reads from the current pointer address location. The address pointer is incremented at the first STOP bit following any write control byte. For example, if a Sequential Read command (which contains a write control byte) reads data up to address n, the address pointer would get incremented to n + 1 upon the STOP of that command. Subsequently, a Current Address Read that follows would start reading data at n + 1. The Current Address Read Command contains the Control Byte sent by the Master, with the R/W bit = "1". The SLG46855 will issue an Acknowledge bit, and then transmit eight data bits for the requested byte. The Master will not issue an Acknowledge bit, and follow immediately with a Stop condition.

GreenPAK Programmable Mixed-Signal Matrix

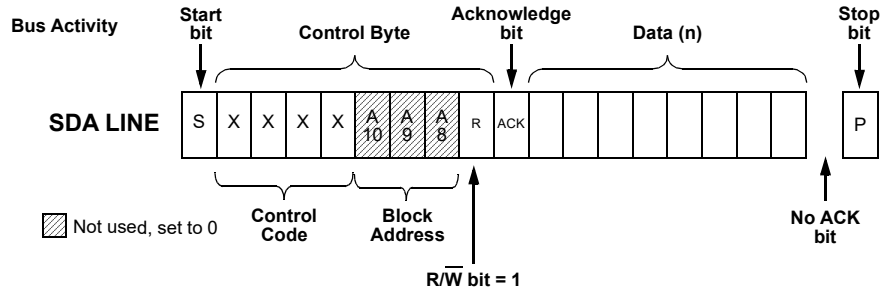


Figure 101: Current Address Read Command, $\overline{R/W} = 1$

15.4.4 Random Read Command

The Random Read command starts with a Control Byte (with R/W bit set to “0”, indicating a write command) and Word Address to set the internal byte address, followed by a Start bit, and then the Control Byte for the read (exactly the same as the Byte Write command). The Start bit in the middle of the command will halt the decoding of a Write command, but will set the internal address counter in preparation for the second half of the command. After the Start bit, the Bus Master issues a second control byte with the R/W bit set to “1”, after which the SLG46855 issues an Acknowledge bit, followed by the requested eight data bits.

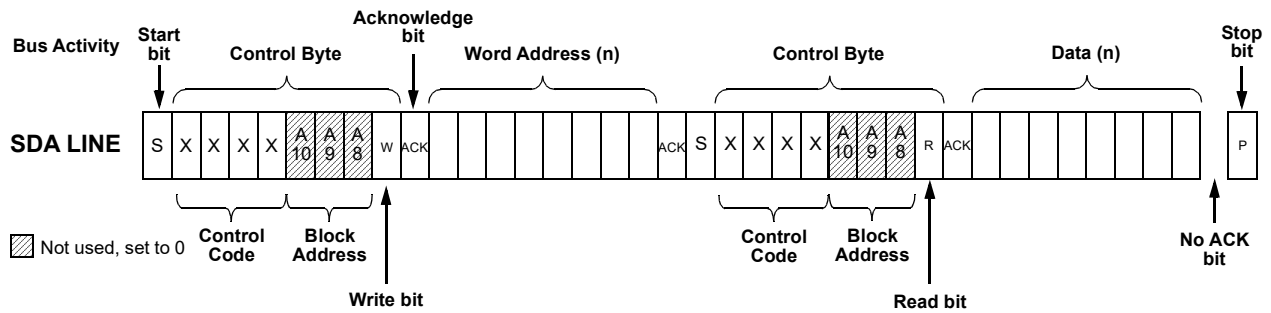


Figure 102: Random Read Command

GreenPAK Programmable Mixed-Signal Matrix

15.4.5 Sequential Read Command

The Sequential Read command is initiated in the same way as a Random Read command, except that once the SLG46855 transmits the first data byte, the Bus Master issues an Acknowledge bit as opposed to a Stop condition in a random read. The Bus Master can continue reading sequential bytes of data, and will terminate the command with a Stop condition.

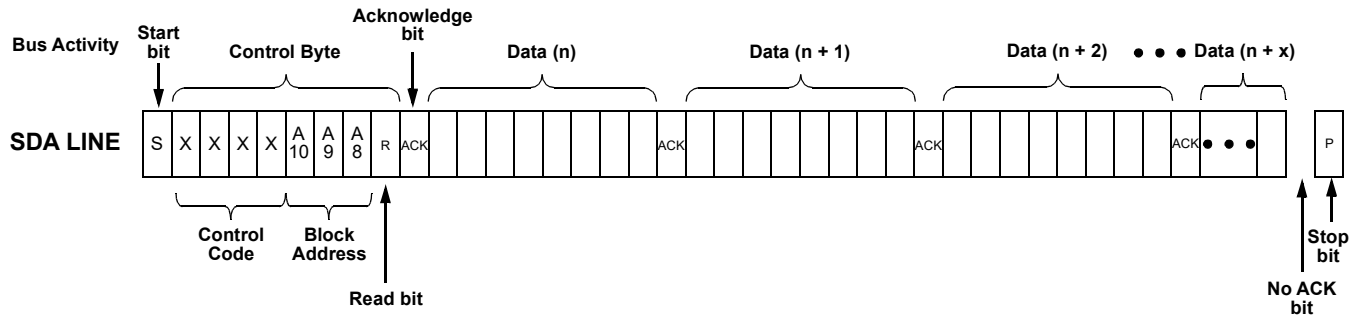


Figure 103: Sequential Read Command

15.4.6 I²C Serial Reset Command

If I²C serial communication is established with the device, it is possible to reset the device to initial power up conditions, including configuration of all macrocells, and all connections provided by the Connection Matrix. This is implemented by setting register [1960] I²C reset bit to “1”, which causes the device to re-enable the Power-On Reset (POR) sequence, including the reload of all register data from NVM. During the POR sequence, the outputs of the device will be in tri-state. After the reset has taken place, the contents of register [1960] will be set to “0” automatically. The Figure 104 illustrates the sequence of events for this reset function.

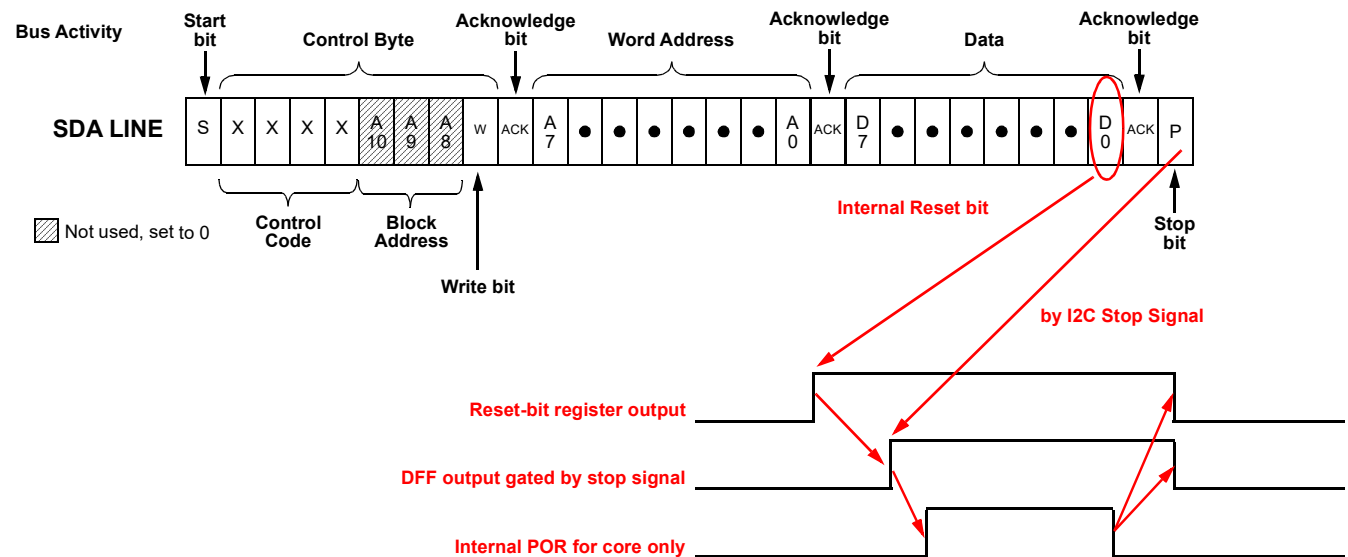


Figure 104: Reset Command Timing

GreenPAK Programmable Mixed-Signal Matrix

15.5 I²C SERIAL COMMAND REGISTER MAP

There are seven read/write protect modes for the design sequence from being corrupted or copied. See [Table 53](#) for details.

Table 54: Read/Write Protection Options

Configurations	Protection Modes Configuration							Data Output From	Register Address
	Unlocked	Partly Lock Read1	Partly Lock Read2	Partly Lock Read2/Write	Lock Read	Lock Write	Lock Read/Write		
	(Mode 0)	(Mode 1)	(Mode 2)	(Mode 3)	(Mode 4)	(Mode 5)	(Mode 6)		
I ² C Byte Write Bit Masking (section 15.6.3)	R/W	R/W	R/W	R/W	W	R	-	Memory	F6
I ² C Serial Reset Command (section 15.4.6)	R/W	R/W	R/W	R/W	W	R	-	Memory	F5,b'0
Outputs Latching During I ² C Write	R/W	R/W	R/W	R/W	W	R	-	Memory	F5,b'1
Connection Matrix Virtual Inputs (section 6.3)	R/W	R/W	R/W	R/W	W	R	-	Macrocell	4C
Configuration Bits for All Macrocells (IO Pins, ACMPs, Combination Function Macrocells, etc.)	R/W	R/W	W	-	W	R	-	Memory	
Macrocells Inputs Configuration (Connection Matrix Outputs, section 6.2)	R/W	W	W	-	W	R	-	Memory	0~47
Protection Mode Enable	R	R	R	R	R	R	R	Memory	F5,b'3
Protection Mode Selection	R/W	R	R	R	R	R	R	Memory	F5,b'7~5
Macrocells Output Values (Connection Matrix Inputs, section 6.1)	R	R	R	R	-	R	-	Macrocell	48~4B; 4D~4F
Counter Current Value (for 16-bit CNT)	R	R	R	R	-	R	-	Macrocell	A5,A6
Counter Current Value (for 8-bit CNT)	R	R	R	R	-	R	-	Macrocell	A7,A8
I ² C Control Code (section 15.2)	R	R	R	R	R	R	R	Memory	FD,b'3~0
Pin Slave Address Select	R	R	R	R	R	R	R	Memory	FD,b'7~4
I ² C Disable/Enable	R	R	R	R	R	R	R	Memory	FE,b'0

GreenPAK Programmable Mixed-Signal Matrix

R/W	Allow Read and Write Data
W	Allow Write Data Only
R	Allow Read Data Only
-	The Data is protected for Read and Write

It is possible to read some data from macrocells, such as counter current value, connection matrix, and connection matrix virtual inputs. The I²C write will not have any impact on data in case data comes from macrocell output, except Connection Matrix Virtual Inputs. The silicon identification service bits allows identifying silicon family, its revision, and others.

See Section 17 for detailed information on all registers.

15.6 I²C ADDITIONAL OPTIONS

When Output latching during I²C write, register [1961] = 1 allows all PINs output value to be latched until I²C write is done. It will protect the output change due to configuration process during I²C write in case multiple register bytes are changed. Inputs and internal macrocells retain their status during I²C write.

If the user sets GPIO0 and GPIO1 function to a selection other than SDA and SCL, all access via I²C will be disabled.

Note: Any write commands that come to the device via I²C that are not blocked, based on the protection bits, will change the contents of the RAM register bits that mirror the NVM bits. These write commands will not change the NVM bits themselves, and a POR event will restore the register bits to original programmed contents of the NVM.

See Section 17 for detailed information on all registers.

15.6.1 Reading Counter Data via I²C

The current count value in three counters in the device can be read via I²C. The counters that have this additional functionality are 16-bit CNT0, and 8-bit counters CNT6 and CNT7.

15.6.2 I²C Expander

In addition to the eight Connection Matrix Virtual Inputs, the SLG46855 chip has four pins which can be used as an I²C Expander. These four pins are GPO0, GPIO6, GPIO7, and GPIO8.

Each of these pins can be used as an I²C Expander output or used as a normal pin. Also, each of these four expander outputs have initial state settings which are specified in registers [1959:1952].

GreenPAK Programmable Mixed-Signal Matrix

15.6.3 I²C Byte Write Bit Masking

The I²C macrocell inside SLG46855 supports masking of individual bits within a byte that is written to the RAM memory space. This function is supported across the entire RAM memory space. To implement this function, the user performs a Byte Write Command (see Section 15.4.1 for details) on the I²C Byte Write Mask Register (address 0F6H) with the desired bit mask pattern. This sets a bit mask pattern for the target memory location that will take effect on the next Byte Write Command to this register byte. Any bit in the mask that is set to “1” in the I²C Byte Write Mask Register will mask the effect of changing that particular bit in the target register, during the next Byte Write Command. The contents of the I²C Byte Write Mask Register are reset (set to 00h) after valid Byte Write Command. If the next command received by the device is not a Byte Write Command, the effect of the bit masking function will be aborted, and the I²C Byte Write Mask Register will be reset with no effect. Figure 105 shows an example of this function.

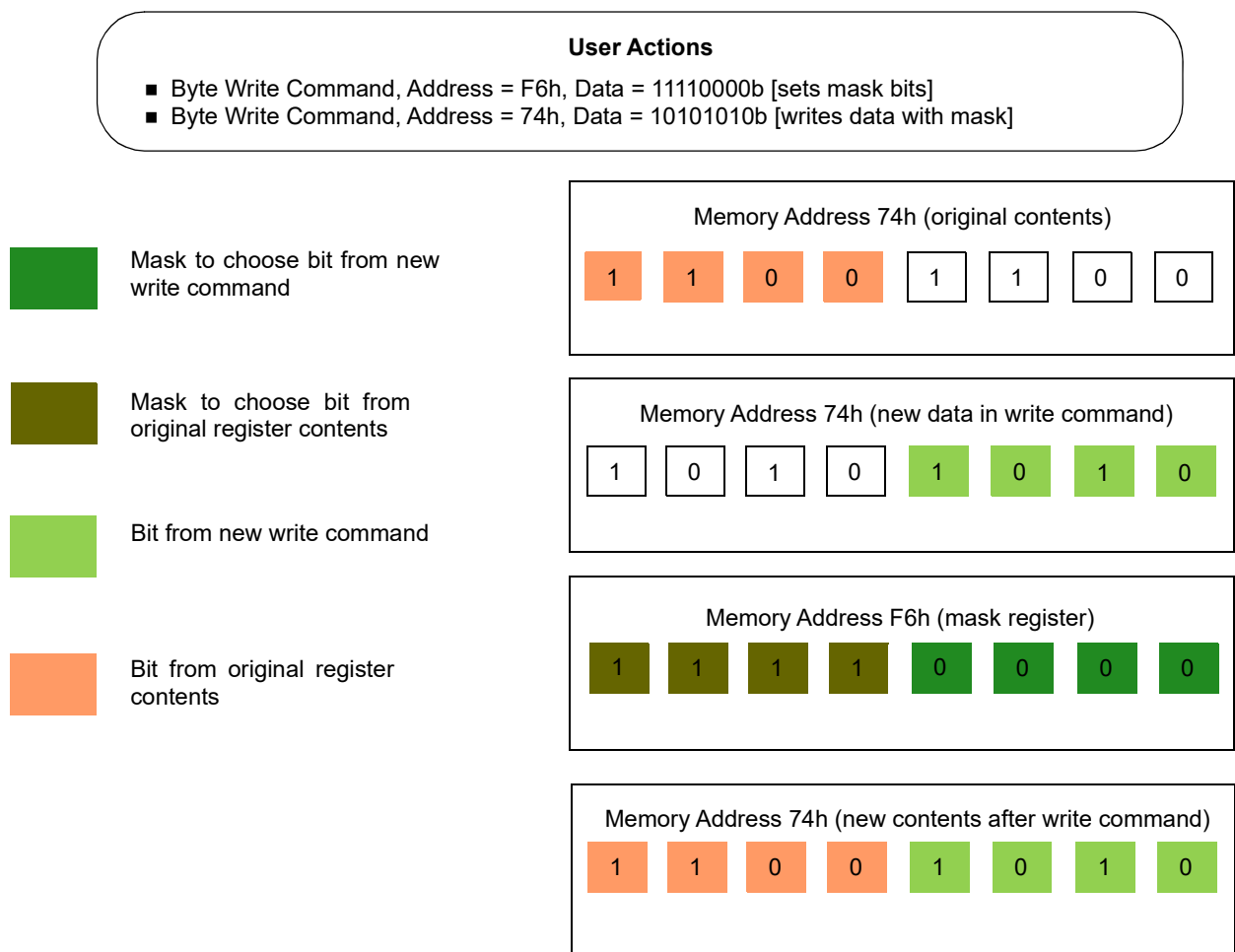


Figure 105: Example of I²C Byte Write Bit Masking

GreenPAK Programmable Mixed-Signal Matrix**16 Analog Temperature Sensor**

The SLG46855 has an Analog Temperature sensor (TS) with an output voltage linearly-proportional to the Centigrade temperature. The TS cell shares buffer with Vref 0, so it is impossible to use both cells simultaneously, its output can be connected directly to the GPIO8 or to the ACPM3_L positive input. Using buffer causes low-output impedance, linear output, and makes interfacing to readout or control circuitry especially easy. The TS is rated to operate over a -40 °C to 85 °C temperature range. The error in the whole temperature range does not exceed $\pm 1.5\%$. TS output voltage variation over V_{DD} at constant temperature is less than $\pm 1.5\%$. For more detail refer to section 3.9.

The equation below calculates the typical analog voltage passed from the TS to the ACMPs' IN+ source input. It is important to note that there will be a chip to chip variation of about ± 2 °C.

$$V_{TS1} = -2.3 \times T + 905.2$$

$$V_{TS2} = -2.8 \times T + 1077.2$$

where:

V_{TS1} (mV) - TS Output Voltage, range 1

V_{TS2} (mV) - TS Output Voltage, range 2

T (°C) - Temperature

Temperature hysteresis can be setup by enabling the GreenPAK's internal ACMP hysteresis.

GreenPAK Programmable Mixed-Signal Matrix

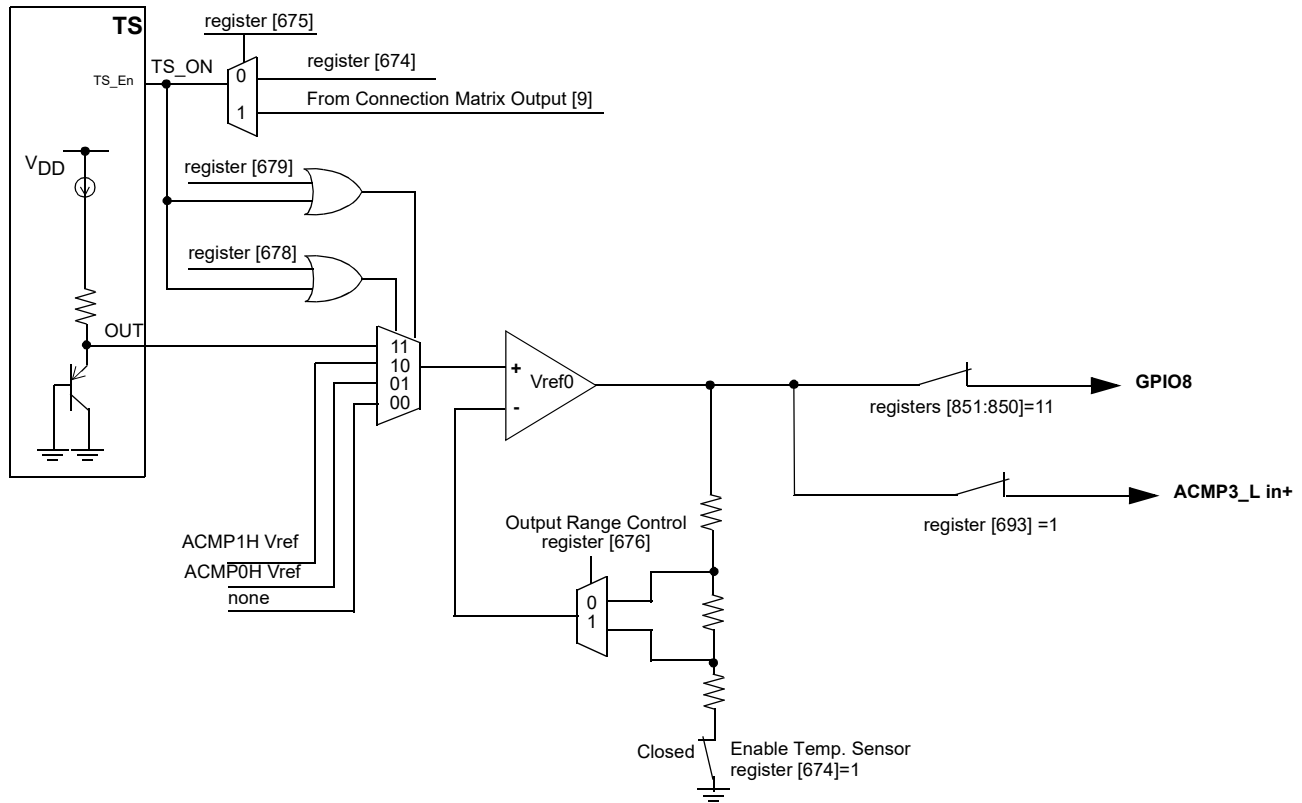


Figure 106: Analog Temperature Sensor Structure Diagram

GreenPAK Programmable Mixed-Signal Matrix

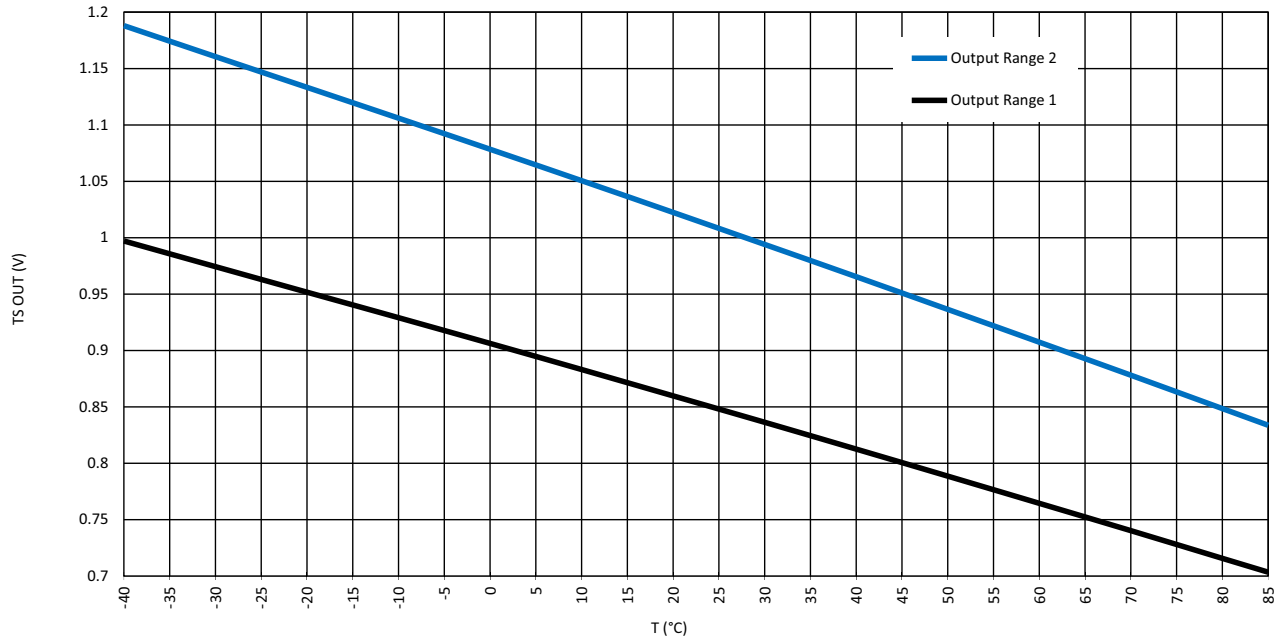


Figure 107: TS Output vs. Temperature, $V_{DD} = 2.3\text{ V to }5.5\text{ V}$

GreenPAK Programmable Mixed-Signal Matrix

17 Register Definitions

17.1 REGISTER MAP

Table 55: Register Map

Address		Signal Function	Register Bit Definition
Byte	Register Bit		
Matrix Output			
0	0	LUT2_0 & DFF0	OUT0: IN0 of LUT2_0 or Clock Input of DFF0
	1		
	2		
	3		
	4		
	5		
	6		
	7		
1	8	LUT2_1 & DFF1	OUT1: IN1 of LUT2_0 or Data Input of DFF0
	9		
	10		
	11		
	12		
	13		
	14		
	15		
2	16	LUT2_1 & DFF1	OUT2: IN0 of LUT2_1 or Clock Input of DFF1
	17		
	18		
	19		
	20		
	21		
	22		
	23		
	16	LUT2_1 & DFF1	OUT3: IN1 of LUT2_1 or Data Input of DFF1
	17		
	18		
	19		
	20		
	21		
	22		
	23		

GreenPAK Programmable Mixed-Signal Matrix

Table 55: Register Map (Continued)

Address		Signal Function	Register Bit Definition
Byte	Register Bit		
3	24	LUT2_2 & DFF2	OUT4: IN0 of LUT2_2 or Clock Input of DFF2
	25		
	26		
	27		
	28		
	29		
	30		
4	31	LUT2_3 & PGen	OUT5: IN1 of LUT2_2 or Data Input of DFF2
	32		
	33		
	34		
	35		
	36		
	37		
5	38	LUT2_3 & PGen	OUT6: IN0 of LUT2_3 or Clock Input of PGen
	39		
	40		
	41		
	42		
	43		
	44		
6	45	LUT3_0 & DFF3	OUT7: IN1 of LUT2_3 or nRST of PGen
	46		
	47		
	48		
	49		
	50		
	51		
7	52	LUT3_0 & DFF3	OUT8: IN0 of LUT3_0 or CLK Input of DFF3
	53		
	54		
	55		
	56		
	57		
	58		
8	59	LUT3_1 & DFF4	OUT9: IN1 of LUT3_0 or Data of DFF3
	60		
	61		
	62		
	63		
	64		
	65		
8	66	LUT3_1 & DFF4	OUT10: IN2 of LUT3_0 or nRST (nSET) of DFF3
	67		
	68		
	69		
	70		
71	LUT3_1 & DFF4	OUT11: IN0 of LUT3_1 or CLK Input of DFF4	

GreenPAK Programmable Mixed-Signal Matrix

Table 55: Register Map (Continued)

Address		Signal Function	Register Bit Definition
Byte	Register Bit		
9	72	LUT3_1 & DFF4	OUT12: IN1 of LUT3_1 or Data of DFF4
	73		
	74		
	75		
	76		
	77		
	78		
	79		
A	80	LUT3_2 & DFF5	OUT13: IN2 of LUT3_1 or nRST (nSET) of DFF4
	81		
	82		
	83		
	84		
	85		
	86		
B	87	LUT3_2 & DFF5	OUT14: IN0 of LUT3_2 or CLK Input of DFF5
	88		
	89		
	90		
	91		
	92		
	93		
	94		
C	95	LUT3_2 & DFF5	OUT15: IN1 of LUT3_2 or Data of DFF5
	96		
	97		
	98		
	99		
	100		
	101		
D	102	LUT3_3 & DFF6	OUT16: IN2 of LUT3_2 or nRST (nSET) of DFF5
	103		
	104		
	105		
	106		
	107		
	108		
	109		
E	110	LUT3_3 & DFF6	OUT17: IN0 of LUT3_3 or CLK Input of DFF6
	111		
	112		
	113		
	114		
	115		
	116		
	117		
E	118	LUT3_3 & DFF6	OUT18: IN1 of LUT3_3 or Data of DFF6
	119		
	119		
E	119	LUT3_3 & DFF6	OUT19: IN2 of LUT3_3 or nRST (nSET) of DFF6
	119		
	119		

GreenPAK Programmable Mixed-Signal Matrix

Table 55: Register Map (Continued)

Address		Signal Function	Register Bit Definition		
Byte	Register Bit				
F	120	LUT3_4 & DFF7	OUT20: IN0 of LUT3_4 or CLK Input of DFF7		
	121				
	122				
	123				
	124				
	125				
	126				
	127				
10	128		LUT3_4 & DFF7	OUT21: IN1 of LUT3_4 or Data of DFF7	
	129				
	130				
	131				
	132				
	133				
	134				
11	135		LUT3_4 & DFF7	OUT22: IN2 of LUT3_4 or nRST (nSET) of DFF7	
	136				
	137				
	138	LUT3_5 & DFF8			OUT23: IN0 of LUT3_5 or CLK Input of DFF8
	139				
	140				
	141				
142					
143					
12	144		LUT3_5 & DFF8	OUT24: IN1 of LUT3_5 or Data of DFF8	
	145				
	146				
	147				
	148				
	149				
	150				
13	151	LUT3_5 & DFF8	OUT25: IN2 of LUT3_5 or nRST (nSET) of DFF8		
	152				
	153				
	154				
	155			LUT3_6 & DFF9	OUT26: IN0 of LUT3_6 or CLK Input of DFF9
	156				
	157				
158					
159					
14	160	LUT3_6 & DFF9	OUT27: IN1 of LUT3_6 or Data of DFF9		
	161				
	162				
	163				
	164				
	165				
	166				
	167				

GreenPAK Programmable Mixed-Signal Matrix

Table 55: Register Map (Continued)

Address		Signal Function	Register Bit Definition
Byte	Register Bit		
15	168	LUT3_6 & DFF9	OUT28: IN2 of LUT3_6 or nRST (nSET) of DFF9
	169		
	170		
	171		
	172		
	173		
	174		
16	175	LUT3_7 & DFF10	OUT29: IN0 of LUT3_7 or CLK Input of DFF10
	176		
	177		
	178		
	179		
	180		
	181		
17	182	LUT3_7 & DFF10	OUT30: IN1 of LUT3_7 or Data of DFF10
	183		
	184		
	185		
	186		
	187		
	188		
18	189	LUT3_8 & DFF11	OUT31: IN2 of LUT3_7 or nRST (nSET) of DFF10
	190		
	191		
	192		
	193		
	194		
	195		
19	196	LUT3_8 & DFF11	OUT32: IN0 of LUT3_8 or CLK Input of DFF11
	197		
	198		
	199		
	200		
	201		
	202		
1A	203	Multi_function4	OUT33: IN1 of LUT3_8 or Data of DFF11
	204		
	205		
	206		
	207		
	208		
	209		
1A	210	Multi_function4	OUT34: IN2 of LUT3_8 or nRST (nSET) of DFF11
	211		
	212		
	213		
	214		
	215		
	215		
1A	210	Multi_function4	OUT35: IN0 of LUT3_12 or CLK Input of DFF16 Delay4 Input (or Counter4 nRST Input)
	211		
	212		
	213		
	214		
	215		
	215		

GreenPAK Programmable Mixed-Signal Matrix

Table 55: Register Map (Continued)

Address		Signal Function	Register Bit Definition
Byte	Register Bit		
1B	216	Multi_function4	OUT36: IN1 of LUT3_12 or nRST (nSET) of DFF16 Delay4 Input (or Counter4 nRST Input)
	217		
	218		
	219		
	220		
	221		
	222		
1C	223	Multi_function5	OUT37: IN2 of LUT3_12 or Data of DFF16 Delay4 Input (or Counter4 nRST Input)
	224		
	225		
	226		
	227		
	228		
	229		
1D	230	Multi_function6	OUT38: IN0 of LUT3_13 or CLK Input of DFF17 Delay5 Input (or Counter5 nRST Input)
	231		
	232		
	233		
	234		
	235		
	236		
1E	237	Multi_function7	OUT39: IN1 of LUT3_13 or nRST (nSET) of DFF17 Delay5 Input (or Counter5 nRST Input)
	238		
	239		
	240		
	241		
	242		
	243		
1F	244	Multi_function8	OUT40: IN2 of LUT3_13 or Data of DFF17 Delay5 Input (or Counter5 nRST Input)
	245		
	246		
	247		
	248		
	249		
	250		
20	251	Multi_function9	OUT41: IN0 of LUT3_14 or CLK Input of DFF18 Delay6 Input (or Counter6 nRST Input)
	252		
	253		
	254		
	255		
	256		
	257		
20	258	Multi_function10	OUT42: IN1 of LUT3_14 or nRST (nSET) of DFF18 Delay6 Input (or Counter6 nRST Input)
	259		
	260		
	261		
	262		
	263		
	263		
20	264	Multi_function11	OUT43: IN2 of LUT3_14 or Data of DFF18 Delay6 Input (or Counter6 nRST Input)
	265		
	266		
	267		
	268		
	269		
	270		

GreenPAK Programmable Mixed-Signal Matrix

Table 55: Register Map (Continued)

Address		Signal Function	Register Bit Definition
Byte	Register Bit		
21	264	Multi_function7	OUT44: IN0 of LUT3_15 or CLK Input of DFF19 Delay7 Input (or Counter7 nRST Input)
	265		
	266		
	267		
	268		
	269		
	270		
22	271	Multi_function7	OUT45: IN1 of LUT3_15 or nRST (nSET) of DFF19 Delay7 Input (or Counter7 nRST Input)
	272		
	273		
	274		
	275		
	276		
	277		
23	278	Multi_function7	OUT46: IN2 of LUT3_15 or Data of DFF19 Delay7 Input (or Counter7 nRST Input)
	279		
	280		
	281		
	282		
	283		
	284		
24	285	LUT3_16 & Pipe Delay (RIPP CNT)	OUT47: IN0 of LUT3_16 or Input of Pipe Delay or UP signal of RIPP CNT
	286		
	287		
	288		
	289		
	290		
	291		
25	292	LUT3_16 & Pipe Delay (RIPP CNT)	OUT48: IN1 of LUT3_16 or nRST of Pipe Delay or nSET of RIPP CNT
	293		
	294		
	295		
	296		
	297		
	298		
26	299	LUT4_DFF12	OUT49: IN2 of LUT3_16 or Clock of Pipe Delay_RIPP_CNT
	300		
	301		
	302		
	303		
	304		
	305		
26	306	LUT4_DFF12	OUT50: IN0 of LUT4_0 or CLK Input of DFF12
	307		
	308		
	309		
	310		
	311		
	311		
26	304	LUT4_DFF12	OUT51: IN1 of LUT4_0 or Data of DFF12
	305		
	306		
	307		
	308		
	309		
	310		

GreenPAK Programmable Mixed-Signal Matrix

Table 55: Register Map (Continued)

Address		Signal Function	Register Bit Definition
Byte	Register Bit		
27	312	LUT4_DFF12	OUT52: IN2 of LUT4_0 or nRST (nSET) of DFF12
	313		
	314		
	315		
	316		
	317		
	318		
28	319	Programmable delay	OUT54: Programmable delay/edge detect input
	320		
	321		
	322		
	323		
	324		
	325		
29	326	Filter/Edge Detect	OUT55: Filter/Edge detect input
	327		
	328		
	329		
	330		
	331		
	332		
2A	333	GPIO0	OUT56: GPIO0 DOUT
	334		
	335		
	336		
	337		
	338		
	339		
2B	340	GPIO1	OUT57: GPIO1 DOUT
	341		
	342		
	343		
	344		
	345		
	346		
2C	347	GPIO2	OUT58: GPIO2 DOUT
	348		
	349		
	350		
	351		
	352		
	353		
2C	354	GPIO2	OUT59: GPIO2 DOUT OE
	355		
	356		
	357		
	358		
	359		

GreenPAK Programmable Mixed-Signal Matrix

Table 55: Register Map (Continued)

Address		Signal Function	Register Bit Definition
Byte	Register Bit		
2D	360	GPIO3 DOUT and Input of Power Switch ON0	OUT60: GPIO3 DOUT and Input of Power Switch ON0
	361		
	362		
	363		
	364		
	365		
	366		
2E	367	GPO0 and Input of Power Switch ON1	OUT62: GPO0 DOUT and Input of Power Switch ON1
	368		
	369		
	370		
	371		
	372		
	373		
2F	374	GPIO4	OUT63: GPIO4 DOUT
	375		
	376		
	377		
	378		
	379		
	380		
30	381	GPIO5	OUT64: GPIO4 DOUT OE
	382		
	383		
	384		
	385		
	386		
	387		
31	388	GPIO6	OUT65: GPIO5 DOUT
	389		
	390		
	391		
	392		
	393		
	394		
32	395	GPIO6	OUT66: GPIO5 DOUT OE
	396		
	397		
	398		
	399		
	400		
	401		
32	402	GPIO6	OUT67: GPIO6 DOUT
	403		
	404		
	405		
	406		
	407		

GreenPAK Programmable Mixed-Signal Matrix

Table 55: Register Map (Continued)

Address		Signal Function	Register Bit Definition
Byte	Register Bit		
33	408	GPIO6	OUT68: GPIO6 DOUT OE
	409		
	410		
	411		
	412		
	413		
	414		
34	415	GPIO7	OUT69: GPIO7 DOUT OUT70: GPIO7 DOUT OE
	416		
	417		
	418		
	419		
	420		
	421		
35	422	GPIO8	OUT71: GPIO8 DOUT OUT72: GPIO8 DOUT OE
	423		
	424		
	425		
	426		
	427		
	428		
36	429	GPIO9	OUT73: GPIO9 DOUT OUT74: GPIO9 DOUT OE
	430		
	431		
	432		
	433		
	434		
	435		
37	436	ACMP0H	OUT75: PWR UP of ACMP0H
	437		
	438		
	439		
	440		
	441		
	442		
38	443		
	444		
	445		
	446		
	447		
	448		
	449		
38	450		
	451		
	452		
	453		
	454		
	455		

GreenPAK Programmable Mixed-Signal Matrix

Table 55: Register Map (Continued)

Address		Signal Function	Register Bit Definition
Byte	Register Bit		
39	456	ACMP1H	OUT76: PWR UP of ACMP1H
	457		
	458		
	459		
	460		
	461		
	462		
3A	463	ACMP2L	OUT77: PWR UP of ACMP2L
	464		
	465		
	466		
	467		
	468		
	469		
3B	470	ACMP3L	OUT78: PWR UP of ACMP3L
	471		
	472		
	473		
	474		
	475		
	476		
3B	477	Temp Sensor	OUT79: Temp sensor, Vref Out_0, Vref Out_1 Power Up
	478		
	479		
	480		
	481		
	482		
	483		
3C	484	OSC0	OUT80: OSC0 ENABLE
	485		
	486		
	487		
	488		
	489		
	490		
3D	491	OSC1	OUT81: OSC1 ENABLE
	492		
	493		
	494		
	495		
	496		
	497		
3E	498	OSC2	OUT82: OSC2 ENABLE
	499		
	500		
	501		
	502		
	503		
	503		
3E	500	Multi_function0	OUT83: IN0 of LUT4_1 or CLK Input of DFF20 Delay0 Input (or Counter0 nRST Input)
	501		
	502		
	503		
	503		
	503		
	503		

GreenPAK Programmable Mixed-Signal Matrix

Table 55: Register Map (Continued)

Address		Signal Function	Register Bit Definition	
Byte	Register Bit			
3F	504	Multi_function0	OUT84: IN1 of LUT4_1 or nRST of DFF20 Delay0 Input (or Counter0 nRST Input) Delay/Counter0 External CLK source	
	505			
	506			
	507			
	508			
	509			
	510			
40	511		OUT85: IN2 of LUT4_1 or nSET of DFF20 Delay0 Input (or Counter0 nRST Input) Delay/Counter0 External CLK source KEEP Input of FSM0	
	512			
	513			
	514			
	515			
	516			
	517			
41	518	OUT86: IN3 of LUT4_1 or Data of DFF20 Delay0 Input (or Counter0 nRST Input) UP Input of FSM0		
	519			
	520			
	521			
	522	Multi_function1	OUT87: IN0 of LUT3_9 or CLK Input of DFF13 Delay1 Input (or Counter1 nRST Input)	
	523			
	524			
525				
526				
527				
42	528			OUT88: IN1 of LUT3_9 or nRST (nSET) of DFF13 Delay1 Input (or Counter1 nRST Input)
	529			
	530			
	531			
	532			
	533			
	534			
43	535	OUT89: IN2 of LUT3_9 or Data of DFF13 Delay1 Input (or Counter1 nRST Input)		
	536			
	537			
	538			
	539			
	540	Multi_function2	OUT90: IN0 of LUT3_10 or CLK Input of DFF14 Delay2 Input (or Counter2 nRST Input)	
	541			
542				
543				
44	544			OUT91: IN1 of LUT3_10 or nRST (nSET) of DFF14 Delay2 Input (or Counter2 nRST Input)
	545			
	546			
	547			
	548			
	549			
	550			
551				

GreenPAK Programmable Mixed-Signal Matrix

Table 55: Register Map (Continued)

Address		Signal Function	Register Bit Definition		
Byte	Register Bit				
45	552	Multi_function2	OUT92: IN2 of LUT3_10 or Data of DFF14 Delay2 Input (or Counter2 nRST Input)		
	553				
	554				
	555				
	556				
	557				
	558				
46	559	Multi_function3	OUT93: IN0 of LUT3_11 or CLK Input of DFF15 Delay3 Input (or Counter3 nRST Input)		
	560				
	561				
	562				
	563				
	564				
	565				
47	566	Multi_function3	OUT94: IN1 of LUT3_11 or nRST (nSET) of DFF15 Delay3 Input (or Counter3 nRST Input)		
	567				
	568				
	569				
	570				
	571				
	572				
48	573	Multi_function3	OUT95: IN2 of LUT3_11 or Data of DFF15 Delay3 Input (or Counter3 nRST Input)		
	574				
	575				
	576			Matrix Input 0	GND
	577			Matrix Input 1	LUT2_0/DFF0 output
	578			Matrix Input 2	LUT2_1/DFF1 output
	579			Matrix Input 3	LUT2_2/DFF2 output
49	580	Matrix Input 4	LUT2_3/PGen output		
	581	Matrix Input 5	LUT3_0/DFF3 output		
	582	Matrix Input 6	LUT3_1/DFF4 output		
	583	Matrix Input 7	LUT3_2/DFF5 output		
	584	Matrix Input 8	LUT3_3/DFF6 output		
	585	Matrix Input 9	LUT3_4/DFF7 output		
	586	Matrix Input 10	LUT3_5/DFF8 output		
4A	587	Matrix Input 11	LUT3_6/DFF9 output		
	588	Matrix Input 12	LUT3_7/DFF10 output		
	589	Matrix Input 13	LUT3_8/DFF11 output		
	590	Matrix Input 14	CNT0 output		
	591	Matrix Input 15	MF0_LUT4/DFF_OUT		
	592	Matrix Input 16	CNT1 output		
	593	Matrix Input 17	MF1_LUT3/DFF_OUT		
4A	594	Matrix Input 18	CNT2 output		
	595	Matrix Input 19	MF2_LUT3/DFF_OUT		
	596	Matrix Input 20	CNT3 output		
	597	Matrix Input 21	MF3_LUT3/DFF_OUT		
	598	Matrix Input 22	CNT4 output		
	599	Matrix Input 23	MF4_LUT3/DFF_OUT		

GreenPAK Programmable Mixed-Signal Matrix

Table 55: Register Map (Continued)

Address		Signal Function	Register Bit Definition
Byte	Register Bit		
4B	600	Matrix Input 24	CNT5 output
	601	Matrix Input 25	MF5_LUT3/DFF_OUT
	602	Matrix Input 26	CNT6 output
	603	Matrix Input 27	MF6_LUT3/DFF_OUT
	604	Matrix Input 28	CNT7 output
	605	Matrix Input 29	MF7_LUT3/DFF_OUT
	606	Matrix Input 30	LUT3_16/Ripple CNT/Pipe Delay_out0
	607	Matrix Input 31	Ripple CNT/Pipe Delay_out1
4C	608	Matrix Input 32	GPIO0 digital input or I2C_virtual_0 Input
	609	Matrix Input 33	GPIO1 digital input or I2C_virtual_1 Input
	610	Matrix Input 34	I2C_virtual_2 Input
	611	Matrix Input 35	I2C_virtual_3 Input
	612	Matrix Input 36	I2C_virtual_4 Input
	613	Matrix Input 37	I2C_virtual_5 Input
	614	Matrix Input 38	I2C_virtual_6 Input
	615	Matrix Input 39	I2C_virtual_7 Input
4D	616	Matrix Input 40	Ripple CNT_out2
	617	Matrix Input 41	LUT4_0/DFF12 output
	618	Matrix Input 42	Programmable Delay Edge Detect Output
	619	Matrix Input 43	Edge Detect Filter Output
	620	Matrix Input 44	GPIO Digital Input
	621	Matrix Input 45	GPIO2 Digital Input
	622	Matrix Input 46	Power Switch ON0, GPIO3 Digital Input
	623	Matrix Input 47	GPIO4 Digital Input
4E	624	Matrix Input 48	GPIO5 Digital Input
	625	Matrix Input 49	GPIO6 Digital Input
	626	Matrix Input 50	GPIO7 Digital Input
	627	Matrix Input 51	GPIO8 Digital Input
	628	Matrix Input 52	GPIO9 Digital Input
	629	Matrix Input 53	OSC0 output 0
	630	Matrix Input 54	OSC1 output 0
	631	Matrix Input 55	OSC2 output
4F	632	Matrix Input 56	ACMP0H Output (normal speed)
	633	Matrix Input 57	ACMP1H Output (normal speed)
	634	Matrix Input 58	ACMP2L Output (low speed)
	635	Matrix Input 59	ACMP3L output (low speed)
	636	Matrix Input 60	OSC0 output 1
	637	Matrix Input 61	OSC1 output 1
	638	Matrix Input 62	Matrix nRST
	639	Matrix Input 63	V _{DD}

GreenPAK Programmable Mixed-Signal Matrix

Table 55: Register Map (Continued)

Address		Signal Function	Register Bit Definition
Byte	Register Bit		
50	640	BG CHOP OFF	0: CHOP enable 1: chopper off
	641	BG Chopper clock test enable	1: enable
	642	Bandgap internal voltage output to IO enable	1: enable
	643	Bandgap power-down control	0: always on 1: power-down if no function enable it (ACMP, Vref, TS)
	644	ACMP1H external Vref0 source selection	0: from GPIO2 1: from GPO0
	645	ACMP2L external Vref1 source selection	0: from GPIO2 1: from GPO0
	646	ACMP3L external Vref1 source selection	0: from GPIO2 1: from GPO0
	647	ACMP3L wake sleep enable	1: enable 0: disable
51	648	VrefO0 register Power-On/Off	1: on 0: off
	649	VrefO0 power-down selection	0: come from register [648] 1: come from matrix out92
	650	VrefO1 register Power-On/Off	1: on 0: off
	651	ACMP0H hysteresis	00: 0 mV 01: 32 mV 10: 64 mV 11: 192 mV
	652		
	653	Reserved	
	654	ACMP0_H input buffer enable	1: enable
655	Reserved		
52	656	ACMP0H input tie to V _{DD} enable	1: enable
	657	ACMP1_H positive input come from ACMP0_H's input mux output enable; 1:enable	
	658	Reserved	
	659	ACMP1H hysteresis	00: 0 mV 01: 32 mV 10: 64 mV 11: 192 mV
	660		
	661	ACMP1H input buffer enable	1: enable
	662	Reserved	
663	ACMP2L positive input come from ACMP0H's input mux output enable	1: enable	
53	664	ACMP2L positive input come from ACMP1H's input mux output enable	1: enable
	665	ACMP2L hysteresis	00: 0 mV 01: 32 mV 10: 64 mV 11: 192 mV
	666		
	667	Reserved	
	668	Reserved	
	669	ACMP3_L hysteresis	00: 0 mV 01: 32 mV 10: 64 mV 11: 192 mV
	670		
671	Reserved		

GreenPAK Programmable Mixed-Signal Matrix

Table 55: Register Map (Continued)

Address		Signal Function	Register Bit Definition	
Byte	Register Bit			
54	672	Reserved		
	673	ACMP3_L positive input come from ACMP2L's input mux output enable	1: enable	
	674	Temp sensor register pdb control	0: Power-down 1: Power-On	
	675	Temp sensor register pdb select	0: come from register 1: come from Matrix	
	676	Temp sensor range select	0: range 1 (0.62V ~ 0.99V (TYP)) 1: range 2 (0.75V ~ 1.2V (TYP))	
	677	Vref0 output OP	0: disable 1: enable	
	678	Vref0 input selection	00: None 01: ACMP0H Vref 10: ACMP1H Vref 11: temp sensor	
679				
55	680	Vref1 output OP	0: disable 1: enable	
	681	Vref1 input selection	00: None 01: ACMP2L Vref 10: ACMP3L Vref	
	682			
	683	VBG fine tune selection	0000: 1.194, 0001:1.195, 0011:1.196, 0100:1.197, 0101:1.198, 0110:1.199 0111:1.2, 1000:1.201, 1001:1.202, 1010:1.203, 1011:1.204, 1100:1.205, 1101:1.206, 1110:1.207, 1111:1.208	
	684			
	685			
	686			
687	ACMP0H Wake/Sleep enable			
688	ACMP1H Wake/Sleep enable			
56	689	ACMP Wake/Sleep time selection	0: short time 1: normal w/s	
	690	ACMP0H 100 uA current source enable		
	691	Reserve for ACMP		
	692	Reserved		
	693	ACMP3L input come from Temp sensor output enable		
	694	VrefO1 power-down selection	0: come from register [650] 1: come from matrix OUT92	
	695	ACMP2L wake sleep enable	0: disable 1: enable	
57	696	ACMP0H Gain divider	ACMP gain divider select: 00: 1x 01:0.5x 10:0.33x 11:0.25x	
	697			
	698	ACMP0H Vref0	ACMP Vref select: 000000: 32mV ~ 111110: 2.016V/step = 32 mV 111111: External Vref	
	699			
	700			
	701			
	702			
703				

GreenPAK Programmable Mixed-Signal Matrix

Table 55: Register Map (Continued)

Address		Signal Function	Register Bit Definition
Byte	Register Bit		
58	704	ACMP1H Gain divider	ACMP gain divider select: 00: 1x 01:0.5x 10:0.33x 11:0.25x
	705		
	706	ACMP1H Vref0	ACMP Vref select: 000000: 32 mV ~ 1 111110: 2.016V/step = 32mV 111111: External Vref
	707		
	708		
	709		
	710		
711			
59	712	ACMP2L Gain divider	ACMP gain divider select: 00: 1x 01:0.5x 10:0.33x 11:0.25x
	713		
	714	ACMP2L Vref1	ACMP Vref select: 000000: 32 mV ~ 111110: 2.016V/step = 32mV 111111: External Vref
	715		
	716		
	717		
	718		
719			
5A	720	ACMP3L Gain divider	ACMP gain divider select: 00: 1x 01:0.5x 10:0.33x 11:0.25x
	721		
	722	ACMP3L Vref1	ACMP Vref select: 000000: 32 mV ~ 111110: 2.016V/step = 32mV 111112: External Vref
	723		
	724		
	725		
	726		
727			
OSC1			
5B	728	OSC1 turn on by register	when matrix output enable/pd control signal = 0: 0: auto on by delay cells 1: always on
	729	matrix power-down or on select	0: matrix down 1: matrix on
	730	external clock source enable	0: internal OSC1 1: external clock from GPIO2
	731	post divider ratio control	00: div 1 01: div 2 10: div 4 11: div 8
	732		
	733	matrix divider ratio control	000: /1, 001:/2 , 010:/4, 011: /3, 100: /8, 101: /12, 110: /24, 111: /64
	734		
735			
5C	736	matrix out enable	0: disable 1: enable
	737	Reserved	
	738	Reserved	
	739	Reserved	

GreenPAK Programmable Mixed-Signal Matrix

Table 55: Register Map (Continued)

Address		Signal Function	Register Bit Definition
Byte	Register Bit		
OSC2			
5C	740	OSC2 turn on by register	when matrix output enable/pd control signal = 0: 0: auto on by delay cells 1: always on
	741	matrix power-down or on select	0: matrix down 1: matrix on
	742	external clock source enable	0: internal OSC2 1: external clock from GPIO8
	743	matrix out enable	0: disable 1: enable
5D	744	post divider ratio control	00: div 1 01: div 2 10: div 4 11: div 8
	745		
5D	746	matrix divider ratio control	000: /1, 001:/2 , 010:/4, 011: /3, 100: /8, 101: /12, 110: /24, 111: /64
	747		
	748		
	749	startup delay with 100 ns	0: enable 1: disable
OSC0			
5D	750	OSC0 turn on by register	when matrix output enable/pd control signal = 0: 0: auto on by delay cells 1: always on
	751	matrix power-down or on select	0: matrix down 1: matrix on
5E	752	external clock source enable	0: internal OSC0 1: external clock from GPIO
	753	matrix out enable	0: disable 1: enable
	754	post divider ratio control	00: div 1 01: div 2 10: div 4 11: div 8
	755		
	756	matrix divider ratio control	000: /1, 001:/2 , 010:/4, 011: /3, 100: /8, 101: /12, 110: /24, 111: /64
	757		
	758		
	759	enable OSC0 output gating by wake_sleep signal (note: the wake_sleep clock is separated path, so it is not gated)	0: no gating 1: enable
5F	760	matrix divider ratio control	000: /1, 001:/2 , 010:/4, 011: /3, 100: /8, 101: /12, 110: /24, 111: /64
	761		
	762		
	763	2nd output to matrix enable	0: disable 1: enable
	764	matrix divider ratio control	000: /1, 001:/2 , 010:/4, 011: /3, 100: /8, 101: /12, 110: /24, 111: /64
	765		
	766		
	767	2nd output to matrix enable	0: disable 1: enable

GreenPAK Programmable Mixed-Signal Matrix

Table 55: Register Map (Continued)

Address		Signal Function	Register Bit Definition
Byte	Register Bit		
60	768	Reserved	
	769		
	770	Reserved	
	771	Reserved	
	772	Reserved	
	773	Reserved	
	774	Reserved	
	775	Reserved	
61	776	Reserved	
	777	Reserved	
	778	IO fast Pull-up/down enable	0: disable 1: enable
GPIO			
61	779	input mode configuration	00: digital without Schmitt Trigger 01: digital with Schmitt Trigger 10: low voltage digital in 11: analog IO
	780		
	781	Pull-up/down resistance selection	00: floating 01: 10K 10: 100K 11: 1M
	782		
	783	Pull-up/down selection	0: Pull-down 1: Pull-up
GPIO0			
62	784	input mode configuration	00: digital in without Schmitt Trigger 01: digital in with Schmitt Trigger (when register [2032] = 1) 10: low voltage digital in 11: Reserved
	785		
	786	Pull-up/down resistance selection	00: floating 01: 10K 10: 100K 11: 1M
	787		
	788	Pull-up/down selection	0: Pull-down 1: Pull-up
	789	I ² C mode selection	0: I ² C fast mode+ (3.2x drivability) 1: I ² C standard/fast mode
	790	I/O selection	0: digital input 1: digital output (3.2x Open-Drain NMOS)
GPIO1			
62	791	input mode configuration	00: digital without Schmitt Trigger 01: digital in with Schmitt Trigger (when register [2032] = 1) 10: low voltage digital in 11: Reserved
63	792		
	793	Pull-up/down resistance selection	00: floating 01: 10K 10: 100K 11: 1M
	794		
	795	Pull-up/down selection	0: Pull-down 1: Pull-up
	796	I/O selection	0: digital input 1: digital output (3.2x Open-Drain NMOS)
	797	Reserved	

GreenPAK Programmable Mixed-Signal Matrix

Table 55: Register Map (Continued)

Address		Signal Function	Register Bit Definition
Byte	Register Bit		
GPIO2			
63	798	input mode configuration	00: digital without Schmitt Trigger
	799		01: digital with Schmitt Trigger 10: low voltage digital in 11: analog IO
64	800	output mode configuration	00: Push-Pull 1x
	801		01: Push-Pull 2x 10: 1x Open-Drain 11: 2x Open-Drain
	802	Pull-up/down resistance selection	00: floating
	803		01: 10K 10: 100K 11: 1M
804	Pull-up/down selection	0: Pull-down 1: Pull-up	
GPIO3			
64	805	input mode configuration	00: digital without Schmitt Trigger
	806		01: digital with Schmitt Trigger
	807		10: low voltage digital in 11: analog IO
65	808	output mode configuration	00: Push-Pull 1x 01: Push-Pull 2x 10: 1x Open-Drain 11: 2x Open-Drain
65	809	Pull-up/down resistance selection	00: floating
	810		01: 10K 10: 100K 11: 1M
	811	Pull-up/down selection	0: Pull-down 1: Pull-up
GPO0			
65	812	Reserved	
	813		
	814	output mode configuration	00: Push-Pull 1x
	815		01: Push-Pull 2x 10: 1x Open-Drain 11: 2x Open-Drain
66	816	Pull-up/down resistance selection	00: floating
	817		01: 10K 10: 100K 11: 1M
	818	Pull-up/down selection	0: Pull-down 1: Pull-up
	819	output enable	0: output disable (input mode) 1: output enable
	820	4x drive	0: disable 1: enable
GPIO4			

GreenPAK Programmable Mixed-Signal Matrix

Table 55: Register Map (Continued)

Address		Signal Function	Register Bit Definition
Byte	Register Bit		
66	821	input mode configuration	00: digital without Schmitt Trigger
	822		01: digital with Schmitt Trigger
	823		10: low voltage digital in 11: analog IO
67	824	output mode configuration	00: Push-Pull 1x 01: Push-Pull 2x 10: 1x Open-Drain 11: 2x Open-Drain
	825	Pull-up/down resistance selection	00: floating
	826		01: 10K
	827		10: 100K
	828		11: 1M
	827	Pull-up/down selection	0: Pull-down 1: Pull-up
	828	4x drive	0: disable 1: enable
GPIO5			
67	829	input mode configuration	00: digital without Schmitt Trigger
	830		01: digital with Schmitt Trigger
	831		10: low voltage digital in 11: analog IO
68	832	output mode configuration	00: Push-Pull 1x 01: Push-Pull 2x 10: 1x Open-Drain 11: 2x Open-Drain
	833	Pull-up/down resistance selection	00: floating
	834		01: 10K
	835		10: 100K 11: 1M
	835	Pull-up/down selection	0: Pull-down 1: Pull-up
GPIO6			
68	836	input mode configuration	00: digital without Schmitt Trigger
	837		01: digital with Schmitt Trigger
	838		10: low voltage digital in 11: analog IO
69	839	output mode configuration	00: Push-Pull 1x 01: Push-Pull 2x 10: 1x Open-Drain 11: 2x Open-Drain
	840	Pull-up/down resistance selection	00: floating
841	01: 10K		
842	10: 100K 11: 1M		
	842	Pull-up/down selection	0: Pull-down 1: Pull-up
GPIO7			

GreenPAK Programmable Mixed-Signal Matrix

Table 55: Register Map (Continued)

Address		Signal Function	Register Bit Definition	
Byte	Register Bit			
69	843	input mode configuration	00: digital without Schmitt Trigger	
	844		01: digital with Schmitt Trigger	
	845	output mode configuration	10: low voltage digital in	
	846		11: analog IO	
	847		00: Push-Pull 1x	
6A	848	Pull-up/down resistance selection	01: Push-Pull 2x	
	849		10: 1x Open-Drain	
			11: 2x Open-Drain	
			00: floating	
			01: 10K	
			10: 100K	
			11: 1M	
GPIO8				
6A	850	input mode configuration	00: digital without Schmitt Trigger	
	851		01: digital with Schmitt Trigger	
	852	output mode configuration	10: low voltage digital in	
	853		11: analog IO	
	854		00: Push-Pull 1x	
	6B	855	Pull-up/down resistance selection	01: Push-Pull 2x
856		10: 1x Open-Drain		
			11: 2x Open-Drain	
			00: floating	
			01: 10K	
			10: 100K	
			11: 1M	
GPIO9				
6B	857	input mode configuration	00: digital without Schmitt Trigger	
	858		01: digital with Schmitt Trigger	
	859	output mode configuration	10: low voltage digital in	
	860		11: analog IO	
	861		00: Push-Pull 1x	
	6C	862	Pull-up/down resistance selection	01: Push-Pull 2x
		863		10: 1x Open-Drain
			11: 2x Open-Drain	
			00: floating	
			01: 10K	
			10: 100K	
			11: 1M	
6C	864	Reserved		
	865	Reserved		
	866	Reserved		
	867	Reserved		
	868	Reserved		
	869	Reserved		
	870	Reserved		
	871	Reserved		

GreenPAK Programmable Mixed-Signal Matrix

Table 55: Register Map (Continued)

Address		Signal Function	Register Bit Definition
Byte	Register Bit		
6D	872	Reserved	
	873	Reserved	
	874	Reserved	
	875	Reserved	
	876	Reserved	
	877	Reserved	
	878	Reserved	
6E	879	Reserved	
	880	Reserved	
	881	Reserved	
	882	Reserved	
	883	Reserved	
	884	Reserved	
	885	Reserved	
6F	886	Reserved	
	887	Reserved	
	888	Reserved	
	889	Reserved	
	890	Reserved	
	891	Reserved	
	892	Reserved	
70	893	Reserved	
	894	Reserved	
	895	Reserved	
	896	Reserved	
	897	Reserved	
	898	Reserved	
	899	Reserved	
71	900	Reserved	
	901	Reserved	
	902	Reserved	
	903	Reserved	
	904	Reserved	
	905	Reserved	
	906	Reserved	
72	907	Reserved	
	908	Reserved	
	909	Reserved	
	910	Reserved	
	911	Reserved	
	912	Reserved	
	913	Reserved	
72	914	Reserved	
	915	Reserved	
	916	Reserved	
	917	Reserved	
	918	Reserved	
	919	Reserved	

GreenPAK Programmable Mixed-Signal Matrix

Table 55: Register Map (Continued)

Address		Signal Function	Register Bit Definition
Byte	Register Bit		
73	920	Reserved	
	921	Reserved	
	922	Reserved	
	923	Reserved	
	924	Reserved	
	925	Reserved	
	926	Reserved	
74	927	Reserved	
	928	Reserved	
	929	Reserved	
	930	Reserved	
	931	Reserved	
	932	Reserved	
	933	Reserved	
75	934	Reserved	
	935	Reserved	
	936	Reserved	
	937	Reserved	
	938	Reserved	
	939	Reserved	
	940	Reserved	
76	941	Reserved	
	942	Reserved	
	943	Reserved	
	944	Reserved	
	945	Reserved	
	946	Reserved	
	947	Reserved	
77	948	Reserved	
	949	Reserved	
	950	Reserved	
	951	Reserved	
	952	Reserved	
	953	Reserved	
	954	Reserved	
78	955	Reserved	
	956	Reserved	
	957	Reserved	
	958	Reserved	
	959	Reserved	
	960	Reserved	
	961	Reserved	
78	962	Reserved	
	963	Reserved	
	964	Reserved	
	965	Reserved	
	966	Reserved	
	967	Reserved	

GreenPAK Programmable Mixed-Signal Matrix

Table 55: Register Map (Continued)

Address		Signal Function	Register Bit Definition
Byte	Register Bit		
79	968	Reserved	
	969	Reserved	
	970	Reserved	
	971	Reserved	
	972	Reserved	
	973	Reserved	
	974	Reserved	
7A	975	Reserved	
	976	Reserved	
	977	Reserved	
	978	Reserved	
	979	Reserved	
	980	Reserved	
	981	Reserved	
7B	982	Reserved	
	983	Reserved	
	984	Reserved	
	985	Reserved	
	986	Reserved	
	987	Reserved	
	988	Reserved	
7C	989	Reserved	
	990	Reserved	
	991	Reserved	
	992	Reserved	
	993	Reserved	
	994	Reserved	
	995	Reserved	
7D	996	Reserved	
	997	Reserved	
	998	Reserved	
	999	Reserved	
	1000	Reserved	
	1001	Reserved	
	1002	Reserved	
7E	1003	Reserved	
	1004	Reserved	
	1005	Reserved	
	1006	Reserved	
	1007	Reserved	
	1008	Reserved	
	1009	Reserved	
7E	1010	Reserved	
	1011	Reserved	
	1012	Reserved	
	1013	Reserved	
	1014	Reserved	
	1015	Reserved	

GreenPAK Programmable Mixed-Signal Matrix

Table 55: Register Map (Continued)

Address		Signal Function	Register Bit Definition
Byte	Register Bit		
7F	1016	Reserved	
	1017	Reserved	
	1018	Reserved	
	1019	Reserved	
	1020	Reserved	
	1021	Reserved	
	1022	Reserved	
	1023	Reserved	
80	1030:1024	Single 4-bit LUT	0000000: Matrix A - In3; Matrix B - In2; Matrix C - In1; Matrix D - In0 (DLY_IN - LOW)
		Single DFF w RST and SET	0010000: Matrix A - D; Matrix B - nSET; Matrix C - nRST; Matrix D - CLK (DLY_IN - LOW)
		Single CNT/DLY	0000001: Matrix A - UP (CNT); Matrix B - KEEP (CNT); Matrix C - EXT_CLK (CNT); Matrix D - DLY_IN (CNT) (DLY_OUT connected to LUT/DFF)
		CNT/DLY → LUT	0000010: Matrix A - DLY_IN; Matrix B - In2; Matrix C - In1; Matrix D - In0 (DLY_OUT connected to In3)
		CNT/DLY → DFF	0010010: Matrix A - DLY_IN; Matrix B - nSET; Matrix C - nRST; Matrix D - CLK (DLY_OUT connected to D)
		CNT/DLY → LUT	0100010: Matrix A - DLY_IN; Matrix B - EXT_CLK (CNT); Matrix C - In1; Matrix D - In0 (DLY_OUT connected to In3; In2 - LOW)
		CNT/DLY → DFF	0110010: Matrix A - DLY_IN; Matrix B - EXT_CLK (CNT); Matrix C - nRST; Matrix D - CLK (DLY_OUT connected to D; nSET - HIGH)
		CNT/DLY → LUT	1000010: Matrix A - DLY_IN; Matrix B - In2; Matrix C - EXT_CLK (CNT); Matrix D - In0 (DLY_OUT connected to In3; In1 - LOW)
		CNT/DLY → DFF	1010010: Matrix A - DLY_IN; Matrix B - nSET; Matrix C - EXT_CLK (CNT); Matrix D - CLK (DLY_OUT connected to D; nRST - HIGH)
		CNT/DLY → LUT	0000110: Matrix A - In3; Matrix B - DLY_IN; Matrix C - In1; Matrix D - In0 (DLY_OUT connected to In2)
		CNT/DLY → DFF	0010110: Matrix A - D; Matrix B - DLY_IN; Matrix C - nRST; Matrix D - CLK (DLY_OUT connected to nSET)
		CNT/DLY → LUT	1000110: Matrix A - In3; Matrix B - DLY_IN; Matrix C - EXT_CLK (CNT); Matrix D - In0 (DLY_OUT connected to In2; In1 - LOW)

GreenPAK Programmable Mixed-Signal Matrix

Table 55: Register Map (Continued)

Address		Signal Function	Register Bit Definition
Byte	Register Bit		
80	1030:1024	CNT/DLY → DFF	1010110: Matrix A - D; Matrix B - DLY_IN; Matrix C - EXT_CLK (CNT); Matrix D - CLK (DLY_OUT connected to nSET; nRST - HIGH)
		CNT/DLY → LUT	0001010: Matrix A - In3; Matrix B - In2; Matrix C - DLY_IN; Matrix D - In0 (DLY_OUT connected to In1)
		CNT/DLY → DFF	0011010: Matrix A - D; Matrix B - nSET; Matrix C - DLY_IN; Matrix D - CLK (DLY_OUT connected to nRST)
		CNT/DLY → LUT	0101010: Matrix A - In3; Matrix B - EXT_CLK (CNT); Matrix C - DLY_IN; Matrix D - In0 (DLY_OUT connected to In1; In2 - LOW)
		CNT/DLY → DFF	0111010: Matrix A - D; Matrix B - EXT_CLK (CNT); Matrix C - DLY_IN; Matrix D - CLK (DLY_OUT connected to nRST; nSET - HIGH)
		CNT/DLY → LUT	0001110: Matrix A - In3; Matrix B - In2; Matrix C - In1; Matrix D - DLY_IN (DLY_OUT connected to In0)
		CNT/DLY → DFF	0011110: Matrix A - D; Matrix B - nSET; Matrix C - nRST; Matrix D - DLY_IN (DLY_OUT connected to CLK)
		CNT/DLY → LUT	0101110: Matrix A - In3; Matrix B - EXT_CLK (CNT); Matrix C - In1; Matrix D - DLY_IN (DLY_OUT connected to In0; In2 - LOW)
		CNT/DLY → DFF	0111110: Matrix A - D; Matrix B - EXT_CLK (CNT); Matrix C - nRST; Matrix D - DLY_IN (DLY_OUT connected to CLK; nSET - HIGH)
		CNT/DLY → LUT	1001110: Matrix A - In3; Matrix B - In2; Matrix C - EXT_CLK (CNT); Matrix D - DLY_IN (DLY_OUT connected to In0; In1 - LOW)
		CNT/DLY → DFF	1011110: Matrix A - D; Matrix B - nSET; Matrix C - EXT_CLK (CNT); Matrix D - DLY_IN (DLY_OUT connected to CLK; nRST - HIGH)
		LUT → CNT/DLY	0000011: Matrix A - In3; Matrix B - In2; Matrix C - In1; Matrix D - In0 (LUT_OUT connected to DLY_IN)
		DFF → CNT/DLY	0010011: Matrix A - D; Matrix B - nSET; Matrix C - nRST; Matrix D - CLK (DFF_OUT connected to DLY_IN)
		LUT → CNT/DLY	0100011: Matrix A - In3; Matrix B - EXT_CLK (CNT); Matrix C - In1; Matrix D - In0 (LUT_OUT connected to DLY_IN; In2 - LOW)

GreenPAK Programmable Mixed-Signal Matrix

Table 55: Register Map (Continued)

Address		Signal Function	Register Bit Definition
Byte	Register Bit		
80	1030:1024	DFF → CNT/DLY	0110011: Matrix A - D; Matrix B - EXT_CLK (CNT); Matrix C - nRST; Matrix D - CLK (DFF_OUT connected to DLY_IN; nSET - HIGH)
		LUT → CNT/DLY	1000011: Matrix A - In3; Matrix B - In2; Matrix C - EXT_CLK (CNT); Matrix D - In0 (LUT_OUT connected to DLY_IN; In1 - LOW)
		DFF → CNT/DLY	1010011: Matrix A - D; Matrix B - nSET; Matrix C - EXT_CLK (CNT); Matrix D - CLK (DFF_OUT connected to DLY_IN; nRST - HIGH)
	1031		00: DLY 01: one shot 10: frequency det 11: CNT register [1040] = 0
81	1032	DLY/CNT0 Mode Selection	
	1033		
	1034	DLY/CNT0 edge Mode Selection	00: both edge 01: falling edge 10: rising edge 11: High Level Reset (only in CNT mode)
	1035	DLY/CNT0 Clock Source Select	Clock source sel[3:0] 0000: 25M(OSC2); 0001: 25M/4; 0010: 2M(OSC1); 0011: 2M/8; 0100: 2M/64; 0101: 2M/512; 0110: 2K(OSC0); 0111: 2K/8; 1000: 2K/64; 1001: 2K/512; 1010: 2K/4096; 1011: 2K/32768; 1100: 2 K/262144; 1101: CNT7_END; 1110: External; 1111: Not used
	1036		
	1037		
	1038		
1039	FSM0 SET/RST Selection	0: Reset to 0 1: Set to data	
82	1040	CNT0 DLY EDET FUNCTION Selection	0: normal 1: DLY function edge detection (registers [1032:1031] = 00)
	1041	UP signal SYNC selection	0: bypass 1: after two DFF
	1042	Keep signal SYNC selection	0: bypass 1: after two DFF
	1043	CNT0 initial value selection	00: bypass the initial 01: initial 0 10: initial 1 11: initial 1
	1044		
	1045	Wake sleep power-down state selection	0: low 1: high
	1046	wake sleep mode selection	0: Default Mode 1: Wake Sleep Mode (registers [1032:1031] = 11)
1047	CNT0 output pol selection	0: Default Output 1: Inverted Output	

GreenPAK Programmable Mixed-Signal Matrix

Table 55: Register Map (Continued)

Address		Signal Function	Register Bit Definition	
Byte	Register Bit			
83	1048	CNT0 CNT mode SYNC selection	0: bypass 1: after two DFF	
	1053:1049	Single 3-bit LUT	00000: Matrix A - In2; Matrix B - In1; Matrix C - In0 (DLY_IN - LOW)	
		Single DFF w RST and SET	10000: Matrix A - D; Matrix B - nSET/nRST; Matrix C - CLK (DLY_IN - LOW)	
		Single CNT/DLY	00001: Matrix A - DLY_IN (CNT); Matrix B - EXT_CLK (CNT); Matrix C - NC (DLY_OUT connected to LUT/DFF)	
		CNT/DLY → LUT	00010: Matrix A - DLY_IN; Matrix B - In1; Matrix C - In0 (DLY_OUT connected to In2)	
		CNT/DLY → DFF	10010: Matrix A - DLY_IN; Matrix B - nSET/nRST; Matrix C - CLK (DLY_OUT connected to D)	
		CNT/DLY → LUT	00110: Matrix A - In2; Matrix B - DLY_IN; Matrix C - In0 (DLY_OUT connected to In1)	
		CNT/DLY → DFF	10110: Matrix A - D; Matrix B - DLY_IN; Matrix C - CLK (DLY_OUT connected to nSET/nRST)	
		CNT/DLY → LUT	01010: Matrix A - In2; Matrix B - In1; Matrix C - DLY_IN (DLY_OUT connected to In0)	
		CNT/DLY → DFF	11010: Matrix A - D; Matrix B - nSET/nRST; Matrix C - DLY_IN (DLY_OUT connected to CLK)	
		LUT → CNT/DLY	00011: Matrix A - In2; Matrix B - In1; Matrix C - In0 (LUT_OUT connected to DLY_IN)	
	DFF → CNT/DLY	10011: Matrix A - D; Matrix B - nSET/nRST; Matrix C - CLK (DFF_OUT connected to DLY_IN)		
	1054	CNT1 function and edge mode selection	0000: both edge Delay; 0001: falling edge delay; 0010: rising edge delay; 0011: both edge One Shot; 0100: falling edge One Shot; 0101: rising edge One Shot; 0110: both edge freq detect; 0111: falling edge freq detect; 1000: rising edge freq detect; 1001: both edge detect; 1010: falling edge detect; 1011: rising edge detect; 1100: both edge reset CNT; 1101: falling edge reset CNT; 1110: rising edge reset CNT; 1111: high level reset CNT	
	1055			
1056				
84	1057			
	1058			00: bypass the initial 01: initial 0 10: initial 1 11: initial 1
	1059			CNT1 initial value selection

GreenPAK Programmable Mixed-Signal Matrix

Table 55: Register Map (Continued)

Address		Signal Function	Register Bit Definition
Byte	Register Bit		
84	1060	DLY/CNT1 Clock Source Select	Clock source sel[3:0] 0000: 25M(OSC2); 0001: 25M/4; 0010: 2M(OSC1); 0011: 2M/8; 0100: 2M/64; 0101: 2M/512; 0110: 2K(OSC0); 0111: 2K/8; 1000: 2K/64; 1001: 2K/512; 1010: 2K/4096; 1011: 2K/32768; 1100: 2K/262144; 1101: CNT0_END; 1110: External; 1111: Not used
	1061		
	1062		
	1063		
85	1064	CNT1 output pol selection	0: Default Output 1: Inverted Output
	1065	CNT1 CNT mode SYNC selection	0: bypass 1: after two DFF
	1066	CNT1 DLY EDET FUNCTION Selection	0: normal 1: DLY function edge detection (registers[1057:1054]=0000/0001/0010)
	1071:1067	Single 3-bit LUT	00000: Matrix A - In2; Matrix B - In1; Matrix C - In0 (DLY_IN - LOW)
		Single DFF w RST and SET	10000: Matrix A - D; Matrix B - nSET/nRST; Matrix C - CLK (DLY_IN - LOW)
		Single CNT/DLY	00001: Matrix A - DLY_IN (CNT); Matrix B - EXT_CLK (CNT); Matrix C - NC (DLY_OUT connected to LUT/DFF)
		CNT/DLY → LUT	00010: Matrix A - DLY_IN; Matrix B - In1; Matrix C - In0 (DLY_OUT connected to In2)
		CNT/DLY → DFF	10010: Matrix A - DLY_IN; Matrix B - nSET/nRST; Matrix C - CLK (DLY_OUT connected to D)
		CNT/DLY → LUT	00110: Matrix A - In2; Matrix B - DLY_IN; Matrix C - In0 (DLY_OUT connected to In1)
		CNT/DLY → DFF	10110: Matrix A - D; Matrix B - DLY_IN; Matrix C - CLK (DLY_OUT connected to nSET/nRST)
		CNT/DLY → LUT	01010: Matrix A - In2; Matrix B - In1; Matrix C - DLY_IN (DLY_OUT connected to In0)
		CNT/DLY → DFF	11010: Matrix A - D; Matrix B - nSET/nRST; Matrix C - DLY_IN (DLY_OUT connected to CLK)
		LUT → CNT/DLY	00011: Matrix A - In2; Matrix B - In1; Matrix C - In0 (LUT_OUT connected to DLY_IN)
	DFF → CNT/DLY	10011: Matrix A - D; Matrix B - nSET/nRST; Matrix C - CLK (DFF_OUT connected to DLY_IN)	

GreenPAK Programmable Mixed-Signal Matrix

Table 55: Register Map (Continued)

Address		Signal Function	Register Bit Definition
Byte	Register Bit		
86	1072	CNT2 initial value selection	00: bypass the initial 01: initial 0 10: initial 1 11: initial 1
	1073		
	1074	CNT2 function and edge mode selection	0000: both edge Delay; 0001: falling edge delay; 0010: rising edge delay; 0011: both edge One Shot; 0100: falling edge One Shot; 0101: rising edge One Shot; 0110: both edge freq detect; 0111: falling edge freq detect; 1000: rising edge freq detect; 1001: both edge detect; 1010: falling edge detect; 1011: rising edge detect; 1100: both edge reset CNT; 1101: falling edge reset CNT; 1110: rising edge reset CNT; 1111: high level reset CNT
	1075		
	1076		
	1077		
	1078	DLY/CNT2 Clock Source Select	Clock source sel[3:0] 0000: 25M(OSC2); 0001: 25M/4; 0010: 2M(OSC1); 0011: 2M/8; 0100: 2M/64; 0101: 2M/512; 0110: 2K(OSC0); 0111: 2K/8; 1000: 2K/64; 1001: 2K/512; 1010: 2K/4096; 1011: 2K/32768; 1100: 2K/262144; 1101: CNT1_END; 1110: External; 1111: Not used
1079			
1080			
87	1081		
	1082	CNT2 output pol selection	0: Default Output, 1: Inverted Output
	1083	CNT2 CNT mode SYNC selection	0: bypass; 1: after two DFF
	1084	CNT2 DLY EDET FUNCTION Selection	0: normal; 1: DLY function edge detection(registers[1077:1074] = 0000/0001/0010)
	1085	CNT3 initial value selection	00:bypass the initial; 01: initial 0; 10: initial 1; 11: initial 1
	1086		
	1087	Multi3 register configure	refer to byte 88
88	1088	CNT3 function and edge mode selection	0000: both edge Delay; 0001: falling edge delay; 0010: rising edge delay; 0011: both edge One Shot; 0100: falling edge One Shot; 0101: rising edge One Shot; 0110: both edge freq detect; 0111: falling edge freq detect; 1000: rising edge freq detect; 1001: both edge detect; 1010: falling edge detect; 1011: rising edge detect; 1100: both edge reset CNT; 1101: falling edge reset CNT; 1110: rising edge reset CNT; 1111: high level reset CNT
	1089		
	1090		
	1091		

GreenPAK Programmable Mixed-Signal Matrix

Table 55: Register Map (Continued)

Address		Signal Function	Register Bit Definition
Byte	Register Bit		
88	1087, 1093:1092, 1095:1094	Single 3-bit LUT	00000: Matrix A - In2; Matrix B - In1; Matrix C - In0 (DLY_IN - LOW)
		Single DFF w RST and SET	10000: Matrix A - D; Matrix B - nSET/nRST; Matrix C - CLK (DLY_IN - LOW)
		Single CNT/DLY	00001: Matrix A - DLY_IN (CNT); Matrix B - EXT_CLK (CNT); Matrix C - NC (DLY_OUT connected to LUT/DFF)
		CNT/DLY → LUT	00010: Matrix A - DLY_IN; Matrix B - In1; Matrix C - In0 (DLY_OUT connected to In2)
		CNT/DLY → DFF	10010: Matrix A - DLY_IN; Matrix B - nSET/nRST; Matrix C - CLK (DLY_OUT connected to D)
		CNT/DLY → LUT	00110: Matrix A - In2; Matrix B - DLY_IN; Matrix C - In0 (DLY_OUT connected to In1)
		CNT/DLY → DFF	10110: Matrix A - D; Matrix B - DLY_IN; Matrix C - CLK (DLY_OUT connected to nSET/nRST)
		CNT/DLY → LUT	01010: Matrix A - In2; Matrix B - In1; Matrix C - DLY_IN (DLY_OUT connected to In0)
		CNT/DLY → DFF	11010: Matrix A - D; Matrix B - nSET/nRST; Matrix C - DLY_IN (DLY_OUT connected to CLK)
		LUT → CNT/DLY	00011: Matrix A - In2; Matrix B - In1; Matrix C - In0 (LUT_OUT connected to DLY_IN)
		DFF → CNT/DLY	10011: Matrix A - D; Matrix B - nSET/nRST; Matrix C - CLK (DFF_OUT connected to DLY_IN)
89	1096	DLY/CNT3 Clock Source Select	Clock source sel[3:0]
	1097		0000: 25M(OSC2); 0001: 25M/4;
	1098		0010: 2M(OSC1); 0011: 2M/8;
	1099		0100: 2M/64; 0101: 2M/512;
			0110: 2K(OSC0); 0111: 2K/8;
			1000: 2K/64; 1001: 2K/512;
			1010: 2K/4096; 1011: 2K/32768;
1100: 2K/262144; 1101: CNT2_END;			
1110: External; 1111: Not used			
1100	CNT3 output pol selection	0: Default Output 1: Inverted Output	
1101	CNT3 CNT mode SYNC selection	0: bypass 1: after two DFF	
1102	CNT3 DLY EDET FUNCTION Selection	0: normal 1: DLY function edge detection (registers[1091:1088]=0000/0001/0010)	
1103	CNT4 CNT mode SYNC selection	0: bypass 1: after two DFF	

GreenPAK Programmable Mixed-Signal Matrix

Table 55: Register Map (Continued)

Address		Signal Function	Register Bit Definition
Byte	Register Bit		
8A	1104	CNT4 initial value selection	00: bypass the initial
	1105		01: initial 0 10: initial 1 11: initial 1
	1106	CNT4 DLY EDET FUNCTION Selection	0: normal 1: DLY function edge detection (registers[1119:1116]=0000/0001/0010)
	1111:1107	Single 3-bit LUT	00000: Matrix A - In2; Matrix B - In1; Matrix C - In0 (DLY_IN - LOW)
		Single DFF w RST and SET	10000: Matrix A - D; Matrix B - nSET/nRST; Matrix C - CLK (DLY_IN - LOW)
		Single CNT/DLY	00001: Matrix A - DLY_IN (CNT); Matrix B - EXT_CLK (CNT); Matrix C - NC (DLY_OUT connected to LUT/DFF)
		CNT/DLY → LUT	00010: Matrix A - DLY_IN; Matrix B - In1; Matrix C - In0 (DLY_OUT connected to In2)
		CNT/DLY → DFF	10010: Matrix A - DLY_IN; Matrix B - nSET/nRST; Matrix C - CLK (DLY_OUT connected to D)
		CNT/DLY → LUT	00110: Matrix A - In2; Matrix B - DLY_IN; Matrix C - In0 (DLY_OUT connected to In1)
		CNT/DLY → DFF	10110: Matrix A - D; Matrix B - DLY_IN; Matrix C - CLK (DLY_OUT connected to nSET/nRST)
		CNT/DLY → LUT	01010: Matrix A - In2; Matrix B - In1; Matrix C - DLY_IN (DLY_OUT connected to In0)
		CNT/DLY → DFF	11010: Matrix A - D; Matrix B - nSET/nRST; Matrix C - DLY_IN (DLY_OUT connected to CLK)
		LUT → CNT/DLY	00011: Matrix A - In2; Matrix B - In1; Matrix C - In0 (LUT_OUT connected to DLY_IN)
	DFF → CNT/DLY	10011: Matrix A - D; Matrix B - nSET/nRST; Matrix C - CLK (DFF_OUT connected to DLY_IN)	
8B	1112	DLY/CNT4 Clock Source Select	Clock source sel[3:0]
	1113		0000: 25M(OSC2);
	1114		0001: 25M/4;
	1115		0010: 2M(OSC1);
			0011: 2M/8;
	0100: 2M/64;		
	0101: 2M/512;		
	0110: 2K(OSC0);		
	0111: 2K/8;		
	1000: 2K/64;		
	1001: 2K/512;		
	1010: 2K/4096;		
	1011: 2K/32768;		
	1100: 2K/262144;		
	1101: CNT3_END;		
	1110: External;		
	1111: Not used		

GreenPAK Programmable Mixed-Signal Matrix

Table 55: Register Map (Continued)

Address		Signal Function	Register Bit Definition
Byte	Register Bit		
8B	1116	CNT4 function and edge mode selection	0000: both edge Delay; 0001: falling edge delay; 0010: rising edge delay; 0011: both edge One Shot; 0100: falling edge One Shot; 0101: rising edge One Shot; 0110: both edge freq detect; 0111: falling edge freq detect; 1000: rising edge freq detect; 1001: both edge detect; 1010: falling edge detect; 1011: rising edge detect; 1100: both edge reset CNT; 1101: falling edge reset CNT; 1110: rising edge reset CNT; 1111: high level reset CNT
	1117		
	1118		
	1119		
8C	1120	CNT4 output pol selection	0: Default Output 1: Inverted Output
	1121	CNT5 function and edge mode selection	0000: both edge Delay; 0001: falling edge delay; 0010: rising edge delay; 0011: both edge One Shot; 0100: falling edge One Shot; 0101: rising edge One Shot; 0110: both edge freq detect; 0111: falling edge freq detect; 1000: rising edge freq detect; 1001: both edge detect; 1010: falling edge detect; 1011: rising edge detect; 1100: both edge reset CNT; 1101: falling edge reset CNT; 1110: rising edge reset CNT; 1111: high level reset CNT
	1122		
	1123		
	1124		
	1125	CNT5 output pol selection	0: Default Output 1: Inverted Output
	1134, 1127:1126, 1133:1132	Single 3-bit LUT	00000: Matrix A - In2; Matrix B - In1; Matrix C - In0 (DLY_IN - LOW)
		Single DFF w RST and SET	10000: Matrix A - D; Matrix B - nSET/nRST; Matrix C - CLK (DLY_IN - LOW)
		Single CNT/DLY	00001: Matrix A - DLY_IN (CNT); Matrix B - EXT_CLK (CNT); Matrix C - NC (DLY_OUT connected to LUT/DFF)
		CNT/DLY → LUT	00010: Matrix A - DLY_IN; Matrix B - In1; Matrix C - In0 (DLY_OUT connected to In2)
		CNT/DLY → DFF	10010: Matrix A - DLY_IN; Matrix B - nSET/nRST; Matrix C - CLK (DLY_OUT connected to D)
		CNT/DLY → LUT	00110: Matrix A - In2; Matrix B - DLY_IN; Matrix C - In0 (DLY_OUT connected to In1)
CNT/DLY → DFF		10110: Matrix A - D; Matrix B - DLY_IN; Matrix C - CLK (DLY_OUT connected to nSET/nRST)	
CNT/DLY → LUT	01010: Matrix A - In2; Matrix B - In1; Matrix C - DLY_IN (DLY_OUT connected to In0)		

GreenPAK Programmable Mixed-Signal Matrix

Table 55: Register Map (Continued)

Address		Signal Function	Register Bit Definition
Byte	Register Bit		
8C	1134, 1127:1126, 1133:1132	CNT/DLY → DFF	11010: Matrix A - D; Matrix B - nSET/nRST; Matrix C - DLY_IN (DLY_OUT connected to CLK)
		LUT → CNT/DLY	00011: Matrix A - In2; Matrix B - In1; Matrix C - In0 (LUT_OUT connected to DLY_IN)
		DFF → CNT/DLY	10011: Matrix A - D; Matrix B - nSET/nRST; Matrix C - CLK (DFF_OUT connected to DLY_IN)
8D	1128	DLY/CNT5 Clock Source Select	Clock source sel[3:0] 0000: 25M(OSC2); 0001: 25M/4; 0010: 2M(OSC1); 0011: 2M/8; 0100: 2M/64; 0101: 2M/512; 0110: 2K(OSC0); 0111: 2K/8; 1000: 2K/64; 1001: 2K/512; 1010: 2K/4096; 1011: 2K/32768; 1100: 2K/262144; 1101: CNT4_END; 1110: External; 1111: Not used
	1129		
	1130		
	1131		
	1135	CNT5 DLY EDET FUNCTION Selection	0: normal; 1: DLY function edge detection (registers[1124:1121]=0000/0001/0010)
8E	1136	CNT5 CNT mode SYNC selection	0: bypass; 1: after two DFF
	1137	CNT5 initial value selection	00: bypass the initial 01: initial 0 10: initial 1 11: initial 1
	1138		
	1139	CNT6 function and edge mode selection	0000: both edge Delay; 0001: falling edge delay; 0010: rising edge delay; 0011: both edge One Shot; 0100: falling edge One Shot; 0101: rising edge One Shot; 0110: both edge freq detect; 0111: falling edge freq detect; 1000: rising edge freq detect; 1001: both edge detect; 1010: falling edge detect; 1011: rising edge detect; 1100: both edge reset CNT; 1101: falling edge reset CNT; 1110: rising edge reset CNT; 1111: high level reset CNT
	1140		
	1141		
	1142		
	1143	CNT6 output pol selection	0: Default Output 1: Inverted Output

GreenPAK Programmable Mixed-Signal Matrix

Table 55: Register Map (Continued)

Address		Signal Function	Register Bit Definition		
Byte	Register Bit				
8F	1144	DLY/CNT6 Clock Source Select	Clock source sel[3:0] 0000: 25M(OSC2); 0001: 25M/4; 0010: 2M(OSC1); 0011: 2M/8; 0100: 2M/64; 0101: 2M/512; 0110: 2K(OSC0); 0111: 2K/8; 1000: 2K/64; 1001: 2K/512; 1010: 2K/4096; 1011: 2K/32768; 1100: 2K/262144; 1101: CNT5_END; 1110: External; 1111: Not used		
	1145				
	1146				
	1147				
	1152, 1149:1148, 1151:1150			Single 3-bit LUT	00000: Matrix A - In2; Matrix B - In1; Matrix C - In0 (DLY_IN - LOW)
				Single DFF w RST and SET	10000: Matrix A - D; Matrix B - nSET/nRST; Matrix C - CLK (DLY_IN - LOW)
				Single CNT/DLY	00001: Matrix A - DLY_IN (CNT); Matrix B - EXT_CLK (CNT); Matrix C - NC (DLY_OUT connected to LUT/DFF)
				CNT/DLY → LUT	00010: Matrix A - DLY_IN; Matrix B - In1; Matrix C - In0 (DLY_OUT connected to In2)
				CNT/DLY → DFF	10010: Matrix A - DLY_IN; Matrix B - nSET/nRST; Matrix C - CLK (DLY_OUT connected to D)
				CNT/DLY → LUT	00110: Matrix A - In2; Matrix B - DLY_IN; Matrix C - In0 (DLY_OUT connected to In1)
				CNT/DLY → DFF	10110: Matrix A - D; Matrix B - DLY_IN; Matrix C - CLK (DLY_OUT connected to nSET/nRST)
				CNT/DLY → LUT	01010: Matrix A - In2; Matrix B - In1; Matrix C - DLY_IN (DLY_OUT connected to In0)
CNT/DLY → DFF		11010: Matrix A - D; Matrix B - nSET/nRST; Matrix C - DLY_IN (DLY_OUT connected to CLK)			
LUT → CNT/DLY		00011: Matrix A - In2; Matrix B - In1; Matrix C - In0 (LUT_OUT connected to DLY_IN)			
DFF → CNT/DLY	10011: Matrix A - D; Matrix B - nSET/nRST; Matrix C - CLK (DFF_OUT connected to DLY_IN)				
90	1153	CNT6 DLY EDET FUNCTION Selection	0: normal 1: DLY function edge detection (registers[1142:1139]=0000/0001/0010)		
	1154	CNT6 CNT mode SYNC selection	0: bypass 1: after two DFF		
	1155	CNT6 initial value selection	00: bypass the initial 01: initial 0 10: initial 1 11: initial 1		
	1156				
90	1157	CNT7 initial value selection	00: bypass the initial 01: initial 0 10: initial 1 11: initial 1		
	1158				
	1159	CNT7 CNT mode SYNC selection	0: bypass 1: after two DFF		

GreenPAK Programmable Mixed-Signal Matrix

Table 55: Register Map (Continued)

Address		Signal Function	Register Bit Definition
Byte	Register Bit		
91	1160	CNT7 DLY EDET FUNCTION Selection	0: normal 1: DLY function edge detection (registers [1174:1171]=0000/0001/0010)
	1161, 1165:1162	Single 3-bit LUT	00000: Matrix A - In2; Matrix B - In1; Matrix C - In0 (DLY_IN - LOW)
		Single DFF w RST and SET	10000: Matrix A - D; Matrix B - nSET/nRST; Matrix C - CLK (DLY_IN - LOW)
		Single CNT/DLY	00001: Matrix A - DLY_IN (CNT); Matrix B - EXT_CLK (CNT); Matrix C - NC (DLY_OUT connected to LUT/DFF)
		CNT/DLY → LUT	00010: Matrix A - DLY_IN; Matrix B - In1; Matrix C - In0 (DLY_OUT connected to In2)
		CNT/DLY → DFF	10010: Matrix A - DLY_IN; Matrix B - nSET/nRST; Matrix C - CLK (DLY_OUT connected to D)
		CNT/DLY → LUT	00110: Matrix A - In2; Matrix B - DLY_IN; Matrix C - In0 (DLY_OUT connected to In1)
		CNT/DLY → DFF	10110: Matrix A - D; Matrix B - DLY_IN; Matrix C - CLK (DLY_OUT connected to nSET/nRST)
		CNT/DLY → LUT	01010: Matrix A - In2; Matrix B - In1; Matrix C - DLY_IN (DLY_OUT connected to In0)
		CNT/DLY → DFF	11010: Matrix A - D; Matrix B - nSET/nRST; Matrix C - DLY_IN (DLY_OUT connected to CLK)
		LUT → CNT/DLY	00011: Matrix A - In2; Matrix B - In1; Matrix C - In0 (LUT_OUT connected to DLY_IN)
		DFF → CNT/DLY	10011: Matrix A - D; Matrix B - nSET/nRST; Matrix C - CLK (DFF_OUT connected to DLY_IN)

GreenPAK Programmable Mixed-Signal Matrix

Table 55: Register Map (Continued)

Address		Signal Function	Register Bit Definition
Byte	Register Bit		
91	1166	DLY/CNT7 Clock Source Select	Clock source sel[3:0] 0000: 25M(OSC2); 0001: 25M/4; 0010: 2M(OSC1); 0011: 2M/8; 0100: 2M/64; 0101: 2M/512; 0110: 2K(OSC0); 0111: 2K/8; 1000: 2K/64; 1001: 2K/512; 1010: 2K/4096; 1011: 2K/32768; 1100: 2K/262144; 1101: CNT6_END; 1110: External; 1111: Not used
	1167		
	1168		
92	1169		
	1170	CNT7 output pol selection	0: Default Output 1: Inverted Output
	1171	CNT7 function and edge mode selection	0000: both edge Delay; 0001: falling edge delay; 0010: rising edge delay; 0011: both edge One Shot; 0100: falling edge One Shot; 0101: rising edge One Shot; 0110: both edge freq detect; 0111: falling edge freq detect; 1000: rising edge freq detect; 1001: both edge detect; 1010: falling edge detect; 1011: rising edge detect; 1100: both edge reset CNT; 1101: falling edge reset CNT; 1110: rising edge reset CNT; 1111: high level reset CNT
	1172		
	1173		
1174			
1175	Reserved		
93	1176	Multi0_LUT4_DFF setting	[15]:LUT4_1 [15]/DFF20 or LATCH Select 0: DFF function, 1: LATCH function [14]:LUT4_1 [14]/DFF20 Output Select 0: Q output, 1: QB output [13]:LUT4_1 [13]/DFF20 Initial Polarity Select 0: Low, 1: High [12:0]:LUT4_1 [12:0]
	1177		
	1178		
	1179		
	1180		
	1181		
	1182		
94	1183		
	1184		
	1185		
	1186		
	1187		
	1188		
	1189		
	1190		
	1191		

GreenPAK Programmable Mixed-Signal Matrix

Table 55: Register Map (Continued)

Address		Signal Function	Register Bit Definition
Byte	Register Bit		
95	1192	REG_CNT0_D[15:0]	Data[15:0]
	1193		
	1194		
	1195		
	1196		
	1197		
	1198		
	1199		
96	1200	REG_CNT0_D[15:0]	Data[15:0]
	1201		
	1202		
	1203		
	1204		
	1205		
	1206		
	1207		
97	1208	Multi1_LUT3_DFF setting	[7]:LUT3_9 [7]/DFF13 or LATCH Select 0: DFF function, 1: LATCH function [6]:LUT3_9 [6]/DFF13 Output Select 0: Q output, 1: QB output [5]:LUT3_9 [5]/DFF13 0: nRST from Matrix Output, 1: nSET from Matrix Output [4]:LUT3_9 [4]/DFF13 Initial Polarity Select 0: Low, 1: High [3:0]:LUT3_9 [3:0]
	1209		
	1210		
	1211		
	1212		
	1213		
	1214		
	1215		
98	1216	REG_CNT1_D[7:0]	Data[7:0]
	1217		
	1218		
	1219		
	1220		
	1221		
	1222		
	1223		
99	1224	Multi2_LUT3_DFF setting	[7]:LUT3_10 [7]/DFF14 or LATCH Select 0: DFF function, 1: LATCH function [6]:LUT3_10[6]/DFF14 Output Select 0: Q output, 1: QB output [5]:LUT3_10 [5]/DFF14 0: nRST from Matrix Output, 1: nSET from Matrix Output [4]:LUT3_10 [4]/DFF14 Initial Polarity Select 0: Low, 1: High [3:0]:LUT3_10 [3:0]
	1225		
	1226		
	1227		
	1228		
	1229		
	1230		
	1231		
9A	1232	REG_CNT2_D[7:0]	Data[7:0]
	1233		
	1234		
	1235		
	1236		
	1237		
	1238		
	1239		

GreenPAK Programmable Mixed-Signal Matrix

Table 55: Register Map (Continued)

Address		Signal Function	Register Bit Definition
Byte	Register Bit		
9B	1240	Multi3_LUT3_DFF setting	[7]:LUT3_11 [7]/DFF15 or LATCH Select 0: DFF function, 1: LATCH function [6]:LUT3_11[6]/DFF15 Output Select 0: Q output, 1: QB output [5]:LUT3_11 [5]/DFF15 0: nRST from Matrix Output, 1: nSET from Matrix Output [4]:LUT3_11 [4]/DFF15 Initial Polarity Select 0: Low, 1: High [3:0]:LUT3_11 [3:0]
	1241		
	1242		
	1243		
	1244		
	1245		
	1246		
	1247		
9C	1248	REG_CNT3_D[7:0]	Data[7:0]
	1249		
	1250		
	1251		
	1252		
	1253		
	1254		
	1255		
9D	1256	Multi4_LUT3_DFF setting	[7]:LUT3_12 [7]/DFF16 or LATCH Select 0: DFF function, 1: LATCH function [6]:LUT3_12[6]/DFF16 Output Select 0: Q output, 1: QB output [5]:LUT3_12 [5]/DFF16 0: nRST from Matrix Output, 1: nSET from Matrix Output [4]:LUT3_12 [4]/DFF16 Initial Polarity Select 0: Low, 1: High [3:0]:LUT3_12 [3:0]
	1257		
	1258		
	1259		
	1260		
	1261		
	1262		
	1263		
9E	1264	REG_CNT4_D[7:0]	Data[7:0]
	1265		
	1266		
	1267		
	1268		
	1269		
	1270		
	1271		
9F	1272	Multi5_LUT3_DFF setting	[7]:LUT3_13 [7]/DFF17 or LATCH Select 0: DFF function, 1: LATCH function [6]:LUT3_13[6]/DFF17 Output Select 0: Q output, 1: QB output [5]:LUT3_13 [5]/DFF17 0: nRST from Matrix Output, 1: nSET from Matrix Output [4]:LUT3_13 [4]/DFF17 Initial Polarity Select 0: Low, 1: High [3:0]:LUT3_13 [3:0]
	1273		
	1274		
	1275		
	1276		
	1277		
	1278		
	1279		
A0	1280	REG_CNT5_D[7:0]	Data[7:0]
	1281		
	1282		
	1283		
	1284		
	1285		
	1286		
	1287		

GreenPAK Programmable Mixed-Signal Matrix

Table 55: Register Map (Continued)

Address		Signal Function	Register Bit Definition		
Byte	Register Bit				
A1	1288	Multi6_LUT3_DFF setting	[7]:LUT3_14 [7]/DFF18 or LATCH Select 0: DFF function, 1: LATCH function [6]:LUT3_14[6]/DFF18 Output Select 0: Q output, 1: QB output [5]:LUT3_14 [5]/DFF18 0: nRST from Matrix Output, 1: nSET from Matrix Output [4]:LUT3_14 [4]/DFF18 Initial Polarity Select 0: Low, 1: High [3:0]:LUT3_14 [3:0]		
	1289				
	1290				
	1291				
	1292				
	1293				
	1294				
	1295				
A2	1296	REG_CNT6_D[7:0]	Data[7:0]		
	1297				
	1298				
	1299				
	1300				
	1301				
	1302				
	1303				
A3	1304	Multi7_LUT3_DFF setting	[7]:LUT3_15 [7]/DFF19 or LATCH Select 0: DFF function, 1: LATCH function [6]:LUT3_15[6]/DFF19 Output Select 0: Q output, 1: QB output [5]:LUT3_15 [5]/DFF19 0: nRST from Matrix Output, 1: nSET from Matrix Output [4]:LUT3_15 [4]/DFF19 Initial Polarity Select 0: Low, 1: High [3:0]:LUT3_15 [3:0]		
	1305				
	1306				
	1307				
	1308				
	1309				
	1310				
	1311				
A4	1312	REG_CNT7_D[7:0]	Data[7:0]		
	1313				
	1314				
	1315				
	1316				
	1317				
	1318				
	1319				
A5	1320	CNT0 (16bits) Counted Value	Virtual Input		
	1321				
	1322				
	1323				
	1324				
	1325				
	1326				
	1327				
A6	1328				
	1329				
	1330				
	1331				
	1332				
	1333				
	1334				
	1335				

GreenPAK Programmable Mixed-Signal Matrix

Table 55: Register Map (Continued)

Address		Signal Function	Register Bit Definition
Byte	Register Bit		
A7	1336	CNT6 (8bits) Counted Value	Virtual Input
	1337		
	1338		
	1339		
	1340		
	1341		
	1342		
A8	1343	CNT7 (8bits) Counted Value	Virtual Input
	1344		
	1345		
	1346		
	1347		
	1348		
	1349		
A9	1350	LUT3_1_DFF4 setting	[7]:LUT3_1 [7]/DFF4 or LATCH Select 0: DFF function, 1: LATCH function [6]:LUT3_1 [6]/DFF4 Output Select 0: Q output, 1: QB output [5]:LUT3_1 [5]/DFF4 Initial Polarity Select 0: Low, 1: High [4]:LUT3_1 [4]/DFF4 0: nRST from Matrix Output, 1: nSET from Matrix Output [3]:LUT3_1 [3]/DFF4 Active level selection for RST/SET 0: Active low level reset/set, 1: Active high level reset/set [2:0]: LUT3_1 [2:0]
	1351		
	1352		
	1353		
	1354		
	1355		
	1356		
AA	1357	LUT3_2_DFF5 setting	[7]:LUT3_2 [7]/DFF5 or LATCH Select 0: DFF function, 1: LATCH function [6]:LUT3_2 [6]/DFF5 Output Select 0: Q output, 1: QB output [5]:LUT3_2 [5]/DFF5 Initial Polarity Select 0: Low, 1: High [4]:LUT3_2 [4]/DFF5 0: nRST from Matrix Output, 1: nSET from Matrix Output [3]:LUT3_2 [3]/DFF5 Active level selection for RST/SET 0: Active low level reset/set, 1: Active high level reset/set [2:0]: LUT3_2 [2:0]
	1358		
	1359		
	1360		
	1361		
	1362		
	1363		
AB	1364	LUT3_3_DFF6 setting	[7]:LUT3_3 [7]/DFF6 or LATCH Select 0: DFF function, 1: LATCH function [6]:LUT3_3 [6]/DFF6 Output Select 0: Q output, 1: QB output [5]:LUT3_3 [5]/DFF6 Initial Polarity Select 0: Low, 1: High [4]:LUT3_3 [4]/DFF6 0: nRST from Matrix Output, 1: nSET from Matrix Output [3]:LUT3_3 [3]/DFF6 Active level selection for RST/SET 0: Active low level reset/set, 1: Active high level reset/set [2:0]: LUT3_3 [2:0]
	1365		
	1366		
	1367		
	1368		
	1369		
	1370		
AB	1371	LUT3_3_DFF6 setting	[7]:LUT3_3 [7]/DFF6 or LATCH Select 0: DFF function, 1: LATCH function [6]:LUT3_3 [6]/DFF6 Output Select 0: Q output, 1: QB output [5]:LUT3_3 [5]/DFF6 Initial Polarity Select 0: Low, 1: High [4]:LUT3_3 [4]/DFF6 0: nRST from Matrix Output, 1: nSET from Matrix Output [3]:LUT3_3 [3]/DFF6 Active level selection for RST/SET 0: Active low level reset/set, 1: Active high level reset/set [2:0]: LUT3_3 [2:0]
	1372		
	1373		
	1374		
	1375		

GreenPAK Programmable Mixed-Signal Matrix

Table 55: Register Map (Continued)

Address		Signal Function	Register Bit Definition		
Byte	Register Bit				
AC	1376	LUT3_4_DFF7 setting	[7]:LUT3_4 [7]/DFF7 or LATCH Select 0: DFF function, 1: LATCH function [6]:LUT3_4 [6]/DFF7 Output Select 0: Q output, 1: QB output [5]:LUT3_4 [5]/DFF7 Initial Polarity Select 0: Low, 1: High [4]:LUT3_4 [4]/DFF7 0: nRST from Matrix Output, 1: nSET from Matrix Output [3]:LUT3_4 [3]/DFF7 Active level selection for RST/SET 0: Active low level reset/set, 1: Active high level reset/set [2:0]: LUT3_4 [2:0]		
	1377				
	1378				
	1379				
	1380				
	1381				
	1382				
	1383				
AD	1384	LUT2_3_VAL or PGen_data	LUT2_3[3:0] or PGen 4bit counter data[3:0]		
	1385				
	1386				
	1387				
	1388	LUT3_1 or DFF4 Select	0: LUT3_1 1: DFF4		
	1389	LUT3_2 or DFF5 Select	0: LUT3_2 1: DFF5		
	1390	LUT3_3 or DFF6 Select	0: LUT3_3 1: DFF6		
1391	LUT3_4 or DFF7 Select	0: LUT3_4 1: DFF7			
AE	1392	PGen data	PGen Data[15:0]		
	1393				
	1394				
	1395				
	1396				
	1397				
	1398				
	1399				
AF	1400				
	1401				
	1402				
	1403				
	1404				
	1405				
	1406				
	1407				

GreenPAK Programmable Mixed-Signal Matrix

Table 55: Register Map (Continued)

Address		Signal Function	Register Bit Definition			
Byte	Register Bit					
B0	1408	LUT2_3 or PGen Select	0: LUT2_3 1: PGen			
	1409	Active level selection for RST/SET for LUT2_3 or PGen	0: Active low level reset/set 1: Active high level reset/set			
	1410	Active level selection for RST/SET for LUT3_16 or Pipe Delay/RIPP CNT	0: Active low level reset/set 1: Active high level reset/set			
	1411	Out of LUT3_16 or Out0 of Pipe Delay/RIPP CNT Select	0: LUT3_16 1: OUT0 of Pipe Delay or RIPP CNT			
	1412	PIPE_RIPP_CNT_S	0: Pipe delay mode selection 1: Ripple Counter mode selection			
	1413	Pipe Delay OUT1 Polarity Select	0: Non-inverted 1: Inverted			
	1414	LUT4_0 or DFF12 Select	0: LUT4_0 1: DFF12			
	1415	LUT3_0 or DFF3 Select	0: LUT3_0 1: DFF3			
B1	1416	LUT value or pipe delay out sel or nSET/END value	[7:4]: LUT3_8 [7:4]/REG_S1[3:0] pipe delay out1 sel [3:0]: LUT3_8 [3:0]/REG_S0[3:0] pipe delay out0 sel at RIPP CNT mode: bit[1418:1416] is the nSET value bit[1421:1419] is the END value bit[1422] is the range control: 0 full cycle, 1 range cycle bit[1423] Not used			
	1417					
	1418					
	1419					
	1420					
	1421					
	1422					
B2	1424	LUT4_0_DFF12 setting	[15]:LUT4_0 [15]/DFF12 or LATCH Select 0: DFF function, 1: LATCH function [14]:LUT4_0 [14]/DFF12 Output Select 0: Q output, 1: QB output [13]:LUT4_0 [13]/DFF12 Initial Polarity Select 0: Low, 1: High [12]:LUT4_0 [12]/DFF12 stage selection 0: Q of first DFF; 1 Q of second DFF [11]:LUT4_0 [11]/DFF12 0: nRST from Matrix Output, 1: nSET from Matrix Output [10]:LUT4_0 [10]/DFF12 Active level selection for RST/SET 0: Active low level reset/set, 1: Active high level reset/set [9:0]: LUT4_0 [9:0]			
	1425					
	1426					
	1427					
	1428					
	1429					
	1430					
	1431					
	B3			1432	LUT3_0_DFF3 setting	[7]:LUT3_0 [7]/DFF3 or LATCH Select 0: DFF function, 1: LATCH function [6]:LUT3_0 [6]/DFF3 Output Select 0: Q output, 1: QB output [5]:LUT3_0 [5]/DFF3 Initial Polarity Select 0: Low, 1: High [4]:LUT3_0 [4]/DFF3stage selection 0: Q of first DFF; 1 Q of second DFF [3]:LUT3_0 [3]/DFF3 0: nRST from Matrix Output, 1: nSET from Matrix Output [2]:LUT3_0 [2]/DFF3 Active level selection for RST/SET 0: Active low level reset/set, 1: Active high level reset/set [1:0]: LUT3_0 [1:0]
				1433		
1434						
1435						
1436						
1437						
1438						
B4	1440	LUT3_0_DFF3 setting	[7]:LUT3_0 [7]/DFF3 or LATCH Select 0: DFF function, 1: LATCH function [6]:LUT3_0 [6]/DFF3 Output Select 0: Q output, 1: QB output [5]:LUT3_0 [5]/DFF3 Initial Polarity Select 0: Low, 1: High [4]:LUT3_0 [4]/DFF3stage selection 0: Q of first DFF; 1 Q of second DFF [3]:LUT3_0 [3]/DFF3 0: nRST from Matrix Output, 1: nSET from Matrix Output [2]:LUT3_0 [2]/DFF3 Active level selection for RST/SET 0: Active low level reset/set, 1: Active high level reset/set [1:0]: LUT3_0 [1:0]			
	1441					
	1442					
	1443					
	1444					
	1445					
	1446					
1447						

GreenPAK Programmable Mixed-Signal Matrix

Table 55: Register Map (Continued)

Address		Signal Function	Register Bit Definition
Byte	Register Bit		
B5	1448	Filter or Edge Detector selection	0, filter 1, edge det
	1449	Output Polarity Select	0: output non-invert 1: output invert
	1450	Select the edge mode	00: Rising Edge Det 01: Falling Edge Det 10: Both Edge Det 11: Both Edge DLY
	1451		
	1452	Delay Value Select for Programmable Delay & Edge Detector	00: 125 ns 01: 250 ns 10: 375 ns 11: 500 ns
	1453		
	1454	Select the Edge Mode of Programmable Delay & Edge Detector	00: Rising Edge Detector 01: Falling Edge Detector 10: Both Edge Detector 11: Both Edge Delay
1455			
B6	1456	LUT3_5_DFF8 setting	[7]:LUT3_5 [7]/DFF8 or LATCH Select 0: DFF function, 1: LATCH function
	1457		[6]:LUT3_5 [6]/DFF8 Output Select 0: Q output, 1: QB output
	1458		[5]:LUT3_5 [5]/DFF8 Initial Polarity Select 0: Low, 1: High
	1459		[4]:LUT3_5 [4]/DFF8 0: nRST from Matrix Output, 1: nSET from Matrix Output
	1460		[3]:LUT3_5 [3]/DFF8 Active level selection for RST/SET 0: Active low level reset/set, 1: Active high level reset/set
	1461		[2:0]: LUT3_5 [2:0]
	1462		
B7	1464	LUT3_6_DFF9 setting	[7]:LUT3_6 [7]/DFF9 or LATCH Select 0: DFF function, 1: LATCH function
	1465		[6]:LUT3_6 [6]/DFF9 Output Select 0: Q output, 1: QB output
	1466		[5]:LUT3_6 [5]/DFF9 Initial Polarity Select 0: Low, 1: High
	1467		[4]:LUT3_6 [4]/DFF9 0: nRST from Matrix Output, 1: nSET from Matrix Output
	1468		[3]:LUT3_6 [3]/DFF9 Active level selection for RST/SET 0: Active low level reset/set, 1: Active high level reset/set
	1469		[2:0]: LUT3_6 [2:0]
	1470		
B8	1472	LUT3_7_DFF10 setting	[7]:LUT3_7 [7]/DFF10 or LATCH Select 0: DFF function, 1: LATCH function
	1473		[6]:LUT3_7 [6]/DFF10 Output Select 0: Q output, 1: QB output
	1474		[5]:LUT3_7 [5]/DFF10 Initial Polarity Select 0: Low, 1: High
	1475		[4]:LUT3_7 [4]/DFF10 0: nRST from Matrix Output, 1: nSET from Matrix Output
	1476		[3]:LUT3_7 [3]/DFF10 Active level selection for RST/SET 0: Active low level reset/set, 1: Active high level reset/set
	1477		[2:0]: LUT3_7 [2:0]
	1478		
B9	1480	LUT3_8_DFF11 setting	[7]:LUT3_8 [7]/DFF11 or LATCH Select 0: DFF function, 1: LATCH function
	1481		[6]:LUT3_8 [6]/DFF11 Output Select 0: Q output, 1: QB output
	1482		[5]:LUT3_8 [5]/DFF11 Initial Polarity Select 0: Low, 1: High
	1483		[4]:LUT3_8 [4]/DFF11 0: nRST from Matrix Output, 1: nSET from Matrix Output
	1484		[3]:LUT3_8 [3]/DFF11 Active level selection for RST/SET 0: Active low level reset/set, 1: Active high level reset/set
	1485		[2:0]: LUT3_8 [2:0]
	1486		
1487			

GreenPAK Programmable Mixed-Signal Matrix

Table 55: Register Map (Continued)

Address		Signal Function	Register Bit Definition
Byte	Register Bit		
BA	1488	LUT2_0 or DFF0 Select	0: LUT2_0 1: DFF0
	1489	LUT2_1 or DFF1 Select	0: LUT2_1 1: DFF1
	1490	LUT2_2 or DFF2 Select	0: LUT2_2 1: DFF2
	1491	Reserved	
	1492	LUT3_5 or DFF8 Select	0: LUT3_5 1: DFF8
	1493	LUT3_6 or DFF9 Select	0: LUT3_6 1: DFF9
	1494	LUT3_7 or DFF10 Select	0: LUT3_7 1: DFF10
	1495	LUT3_8 or DFF11 Select	0: LUT3_8 1: DFF11
BB	1496	LUT2_0/DFF0 setting	[3]:LUT2_0 [3]/DFF0 or LATCH Select 0: DFF function, 1: LATCH function
	1497		[2]:LUT2_0 [2]/DFF0 Output Select 0: Q output, 1: QB output
	1498		[1]:LUT2_0 [1]/DFF0 Initial Polarity Select 0: Low, 1: High
	1499		[0]:LUT2_0 [0]
	1500	LUT2_1/DFF1 setting	[3]:LUT2_1 [3]/DFF1 or LATCH Select 0: DFF function, 1: LATCH function
	1501		[2]:LUT2_1 [2]/DFF1 Output Select 0: Q output, 1: QB output
1502	[1]:LUT2_1 [1]/DFF1 Initial Polarity Select 0: Low, 1: High		
1503	[0]:LUT2_1 [0]		
BC	1504	LUT2_2/DFF2 setting	[3]:LUT2_2 [3]/DFF2 or LATCH Select 0: DFF function, 1: LATCH function
	1505		[2]:LUT2_2 [2]/DFF2 Output Select 0: Q output, 1: QB output
	1506		[1]:LUT2_2 [1]/DFF2 Initial Polarity Select 0: Low, 1: High
	1507		[0]:LUT2_2 [0]
	1508		
	1509		
	1510		
	1511		
BD	1512	Reserved	
	1513		
	1514		
	1515		
	1516		
	1517		
	1518		
	1519		

GreenPAK Programmable Mixed-Signal Matrix

Table 55: Register Map (Continued)

Address		Signal Function	Register Bit Definition
Byte	Register Bit		
BE	1520	Reserved	
	1521	Reserved	
	1522	Reserved	
	1523	Reserved	
	1524	Reserved	
	1525		
	1526		
	1527		
BF	1528	Reserved	
	1529	Reserved	
	1530	Reserved	
	1531	Reserved	
	1532	Reserved	
	1533	Reserved	
	1534	Reserved	
	1535	Reserved	
C0	1536	Reserved	
	1537	Reserved	
	1538	Reserved	
	1539	Reserved	
	1540	Reserved	
	1541	Reserved	
	1542	Reserved	
	1543	Reserved	
C1	1544	Reserved	
	1545	Reserved	
	1546	Reserved	
	1547	Reserved	
	1548	Reserved	
	1549	Reserved	
	1550	Reserved	
	1551	Reserved	
C2	1552	Reserved	
	1553	Reserved	
	1554	Reserved	
	1555	Reserved	
	1556	Reserved	
	1557	Reserved	
	1558	Reserved	
	1559	Reserved	
C3	1560	Reserved	
	1561	Reserved	
	1562	Reserved	
	1563	Reserved	
	1564	Reserved	
	1565	Reserved	
	1566	Reserved	
	1567	Reserved	

GreenPAK Programmable Mixed-Signal Matrix

Table 55: Register Map (Continued)

Address		Signal Function	Register Bit Definition
Byte	Register Bit		
C4	1568	Reserved	
	1569	Reserved	
	1570	Reserved	
	1571	Reserved	
	1572	Reserved	
	1573	Reserved	
	1574	Reserved	
	1575	Reserved	
C5	1576	Reserved	
	1577	Reserved	
	1578	Reserved	
	1579	Reserved	
	1580	Reserved	
	1581	Reserved	
	1582	Reserved	
	1583	Reserved	
C6	1584	Reserved	
	1585	Reserved	
	1586	Reserved	
	1587	Reserved	
	1588	Reserved	
	1589	Reserved	
	1590	Reserved	
	1591	Reserved	
C7	1592	Reserved	
	1593	Reserved	
	1594	Reserved	
	1595	Reserved	
	1596	Reserved	
	1597	Reserved	
	1598	Reserved	
	1599	Reserved	
C8	1600	Reserved	
	1601	Reserved	
	1602	Reserved	
	1603	Reserved	
	1604	Reserved	
	1605	Reserved	
	1606	Reserved	
	1607	Reserved	
C9	1608	Reserved	
	1609	Reserved	
	1610	Reserved	
	1611	Reserved	
	1612	Reserved	
	1613	Reserved	
	1614	Reserved	
	1615	Reserved	

GreenPAK Programmable Mixed-Signal Matrix

Table 55: Register Map (Continued)

Address		Signal Function	Register Bit Definition
Byte	Register Bit		
CA	1616	Reserved	
	1617	Reserved	
	1618	Reserved	
	1619	Reserved	
	1620	Reserved	
	1621	Reserved	
	1622	Reserved	
CB	1623	Reserved	
	1624	Reserved	
	1625	Reserved	
	1626	Reserved	
	1627	Reserved	
	1628	Reserved	
	1629	Reserved	
CC	1630	Reserved	
	1631	Reserved	
	1632	Reserved	
	1633	Reserved	
	1634	Reserved	
	1635	Reserved	
	1636	Reserved	
CD	1637	Reserved	
	1638	Reserved	
	1639	Reserved	
	1640	Reserved	
	1641	Reserved	
	1642	Reserved	
	1643	Reserved	
CE	1644	Reserved	
	1645	Reserved	
	1646	Reserved	
	1647	Reserved	
	1648	Reserved	
	1649	Reserved	
	1650	Reserved	
CF	1651	Reserved	
	1652	Reserved	
	1653	Reserved	
	1654	Reserved	
	1655	Reserved	
	1656	Reserved	
	1657	Reserved	
CF	1658	Reserved	
	1659	Reserved	
	1660	Reserved	
	1661	Reserved	
	1662	Reserved	
	1663	Reserved	

GreenPAK Programmable Mixed-Signal Matrix

Table 55: Register Map (Continued)

Address		Signal Function	Register Bit Definition
Byte	Register Bit		
D0	1664	Reserved	
	1665	Reserved	
	1666	Reserved	
	1667	Reserved	
	1668	Reserved	
	1669	Reserved	
	1670	Reserved	
	1671	Reserved	
D1	1672	Reserved	
	1673	Reserved	
	1674	Reserved	
	1675	Reserved	
	1676	Reserved	
	1677	Reserved	
	1678	Reserved	
	1679	Reserved	
D2	1680	Reserved	
	1681	Reserved	
	1682	Reserved	
	1683	Reserved	
	1684	Reserved	
	1685	Reserved	
	1686	Reserved	
	1687	Reserved	
D3	1688	Reserved	
	1689	Reserved	
	1690	Reserved	
	1691	Reserved	
	1692	Reserved	
	1693	Reserved	
	1694	Reserved	
	1695	Reserved	
D4	1696	Reserved	
	1697	Reserved	
	1698	Reserved	
	1699	Reserved	
	1700	Reserved	
	1701	Reserved	
	1702	Reserved	
	1703	Reserved	
D5	1704	Reserved	
	1705	Reserved	
	1706	Reserved	
	1707	Reserved	
	1708	Reserved	
	1709	Reserved	
	1710	Reserved	
	1711	Reserved	

GreenPAK Programmable Mixed-Signal Matrix

Table 55: Register Map (Continued)

Address		Signal Function	Register Bit Definition
Byte	Register Bit		
D6	1712	Reserved	
	1713	Reserved	
	1714	Reserved	
	1715	Reserved	
	1716	Reserved	
	1717	Reserved	
	1718	Reserved	
	1719	Reserved	
D7	1720	Reserved	
	1721	Reserved	
	1722	Reserved	
	1723	Reserved	
	1724	Reserved	
	1725	Reserved	
	1726	Reserved	
	1727	Reserved	
D8	1728	Reserved	
	1729	Reserved	
	1730	Reserved	
	1731	Reserved	
	1732	Reserved	
	1733	Reserved	
	1734	Reserved	
	1735	Reserved	
D9	1736	Reserved	
	1737	Reserved	
	1738	Reserved	
	1739	Reserved	
	1740	Reserved	
	1741	Reserved	
	1742	Reserved	
	1743	Reserved	
DA	1744	Reserved	
	1745	Reserved	
	1746	Reserved	
	1747	Reserved	
	1748	Reserved	
	1749	Reserved	
	1750	Reserved	
	1751	Reserved	
DB	1752	Reserved	
	1753	Reserved	
	1754	Reserved	
	1755	Reserved	
	1756	Reserved	
	1757	Reserved	
	1758	Reserved	
	1759	Reserved	

GreenPAK Programmable Mixed-Signal Matrix

Table 55: Register Map (Continued)

Address		Signal Function	Register Bit Definition
Byte	Register Bit		
DC	1760	Reserved	
	1761	Reserved	
	1762	Reserved	
	1763	Reserved	
	1764	Reserved	
	1765	Reserved	
	1766	Reserved	
	1767	Reserved	
DD	1768	Reserved	
	1769	Reserved	
	1770	Reserved	
	1771	Reserved	
	1772	Reserved	
	1773	Reserved	
	1774	Reserved	
	1775	Reserved	
DE	1776	Reserved	
	1777	Reserved	
	1778	Reserved	
	1779	Reserved	
	1780	Reserved	
	1781	Reserved	
	1782	Reserved	
	1783	Reserved	
DF	1784	Reserved	
	1785	Reserved	
	1786	Reserved	
	1787	Reserved	
	1788	Reserved	
	1789	Reserved	
	1790	Reserved	
	1791	Reserved	
E0	1792	Reserved	
	1793	Reserved	
	1794	Reserved	
	1795	Reserved	
	1796	Reserved	
	1797	Reserved	
	1798	Reserved	
	1799	Reserved	
E1	1800	Reserved	
	1801	Reserved	
	1802	Reserved	
	1803	Reserved	
	1804	Reserved	
	1805	Reserved	
	1806	Reserved	
	1807	Reserved	

GreenPAK Programmable Mixed-Signal Matrix

Table 55: Register Map (Continued)

Address		Signal Function	Register Bit Definition
Byte	Register Bit		
E2	1808	Reserved	
	1809	Reserved	
	1810	Reserved	
	1811	Reserved	
	1812	Reserved	
	1813	Reserved	
	1814	Reserved	
E3	1815	Reserved	
	1816	Reserved	
	1817	Reserved	
	1818	Reserved	
	1819	Reserved	
	1820	Reserved	
	1821	Reserved	
E4	1822	Reserved	
	1823	Reserved	
	1824	Reserved	
	1825	Reserved	
	1826	Reserved	
	1827	Reserved	
	1828	Reserved	
E5	1829	Reserved	
	1830	Reserved	
	1831	Reserved	
	1832	Reserved	
	1833	Reserved	
	1834	Reserved	
	1835	Reserved	
E6	1836	Reserved	
	1837	Reserved	
	1838	Reserved	
	1839	Reserved	
	1840	Reserved	
	1841	Reserved	
	1842	Reserved	
E7	1843	Reserved	
	1844	Reserved	
	1845	Reserved	
	1846	Reserved	
	1847	Reserved	
	1848	Reserved	
	1849	Reserved	
E7	1850	Reserved	
	1851	Reserved	
	1852	Reserved	
	1853	Reserved	
	1854	Reserved	
	1855	Reserved	

GreenPAK Programmable Mixed-Signal Matrix

Table 55: Register Map (Continued)

Address		Signal Function	Register Bit Definition
Byte	Register Bit		
E8	1856	Reserved	
	1857	Reserved	
	1858	Reserved	
	1859	Reserved	
	1860	Reserved	
	1861	Reserved	
	1862	Reserved	
E9	1863	Reserved	
	1864	Reserved	
	1865	Reserved	
	1866	Reserved	
	1867	Reserved	
	1868	Reserved	
	1869	Reserved	
EA	1870	Reserved	
	1871	Reserved	
	1872	Reserved	
	1873	Reserved	
	1874	Reserved	
	1875	Reserved	
	1876	Reserved	
EB	1877	Reserved	
	1878	Reserved	
	1879	Reserved	
	1880	Reserved	
	1881	Reserved	
	1882	Reserved	
	1883	Reserved	
EC	1884	Reserved	
	1885	Reserved	
	1886	Reserved	
	1887	Reserved	
	1888	Reserved	
	1889	Reserved	
	1890	Reserved	
ED	1891	Reserved	
	1892	Reserved	
	1893	Reserved	
	1894	Reserved	
	1895	Reserved	
	1896	Reserved	
	1897	Reserved	
ED	1898	Reserved	
	1899	Reserved	
	1900	Reserved	
	1901	Reserved	
	1902	Reserved	
	1903	Reserved	

GreenPAK Programmable Mixed-Signal Matrix

Table 55: Register Map (Continued)

Address		Signal Function	Register Bit Definition
Byte	Register Bit		
EE	1904	Reserved	
	1905	Reserved	
	1906	Reserved	
	1907	Reserved	
	1908	Reserved	
	1909	Reserved	
	1910	Reserved	
	1911	Reserved	
EF	1912	Reserved	
	1913	Reserved	
	1914	Reserved	
	1915	Reserved	
	1916	Reserved	
	1917	Reserved	
	1918	Reserved	
	1919	Reserved	
F0	1920	Reserved	
	1921	Reserved	
	1922	Reserved	
	1923	Reserved	
	1924	Reserved	
	1925	Reserved	
	1926	Reserved	
	1927	Reserved	
F1	1928	Reserved	
	1929	Reserved	
	1930	Reserved	
	1931	Reserved	
	1932	Reserved	
	1933	Reserved	
	1934	Reserved	
	1935	Reserved	
F2	1936	Reserved	
	1937	Reserved	
	1938	Reserved	
	1939	Reserved	
	1940	Reserved	
	1941	Reserved	
	1942	Reserved	
	1943	Reserved	
F3	1944	Reserved	
	1945	Reserved	
	1946	Reserved	
	1947	Reserved	
	1948	Reserved	
	1949	Reserved	
	1950	Reserved	
	1951	Reserved	

GreenPAK Programmable Mixed-Signal Matrix

Table 55: Register Map (Continued)

Address		Signal Function	Register Bit Definition
Byte	Register Bit		
F4	1952	GPO0 I2C output expander data	
	1953	GPO0 I2C output expander select	0: GPO0 output come from matrix 1: GPO0 output is register
	1954	GPIO6 I2C output expander data	
	1955	GPIO6 I2C output expander select	0: GPIO6 output come from matrix 1: GPIO6 output is register
	1956	GPIO7 I2C output expander data	
	1957	GPIO7 I2C output expander select	0: GPIO7 output come from matrix 1: GPIO7 output is register
	1958	GPIO8 I2C output expander data	
	1959	GPIO8 I2C output expander select	0: GPIO8 output come from matrix 1: GPIO8 output is register
F5	1960	I2C reset bit with reloading NVM into Data register (soft reset)	0: Keep existing condition 1: Reset execution
	1961	IO Latching Enable During I2C Write Interface	0: Disable 1: Enable
	1962	Reserved	
	1963	Protect mode enable	0: Disable 1: Enable
	1964	Reserved	
	1965	Register protection mode bit 0	000: all open read/write (mode 0); 001: partly lock read (mode 1); 010: partly lock read2 (mode 2); 011: partly lock read2/write (mode 3); 100: all lock read (mode 4); 101: all lock write (mode 5); 110: all lock read/write (mode 6).
	1966	Register protection mode bit 1	
	1967	Register protection mode bit 2	
F6	1968	I ² C write mask bits	1: mask 0: overwrite
	1969		
	1970		
	1971		
	1972		
	1973		
	1974		
	1975		
F7	1976	Reserved	
	1977		
	1978		
	1979		
	1980		
	1981		
	1982		
	1983		
F8	1984	Reserved	
	1985		
	1986		
	1987		
	1988		
	1989		
	1990		
	1991		

GreenPAK Programmable Mixed-Signal Matrix

Table 55: Register Map (Continued)

Address		Signal Function	Register Bit Definition
Byte	Register Bit		
F9	1992	Reserved	
	1993	Reserved	
	1994	Reserved	
	1995		
	1996	Reserved	
	1997		
	1998		
1999			
FA	2000	Reserved	
	2001		
	2002		
	2003		
	2004		
	2005		
	2006		
FB	2007	Reserved	
	2008		
	2009		
	2010		
	2011		
	2012		
	2013		
FC	2014	Reserved	
	2015		
	2016		
	2017		
	2018		
	2019		
	2020		
FD	2021	I ² C slave address	
	2022		
	2023		
	2024		
	2025		
	2026		
	2027		
FD	2028	Slave address selection bit0	0: from register [2024] 1: from GPIO
	2029	Slave address selection bit1	0: from register [2025] 1: from GPIO2
	2030	Slave address selection bit2	0: from register [2026] 1: from GPIO4
	2031	Slave address selection bit3	0: from register [2027] 1: from GPIO5

GreenPAK Programmable Mixed-Signal Matrix

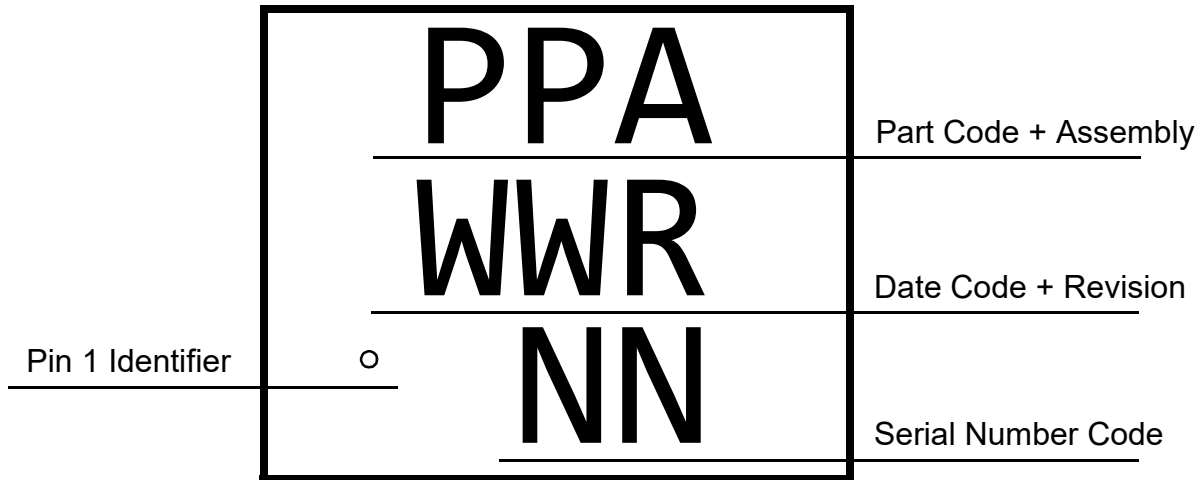
Table 55: Register Map (Continued)

Address		Signal Function	Register Bit Definition
Byte	Register Bit		
FE	2032	I2C operation disable bit	0: I2C operation enable; matrix in 32(33) select I2C_virtual_0(1) Input 1: I2C operation disable; matrix in 32(33) select GPIO0(GPIO1) digital input
	2033	Reserved	
	2034	Reserved	
	2035	Reserved	
	2036	Reserved	
	2037	Reserved	
	2038	Reserved	
	2039	Reserved	
FF	2040	Reserved	
	2041		
	2042		
	2043		
	2044		
	2045		
	2046		
	2047		

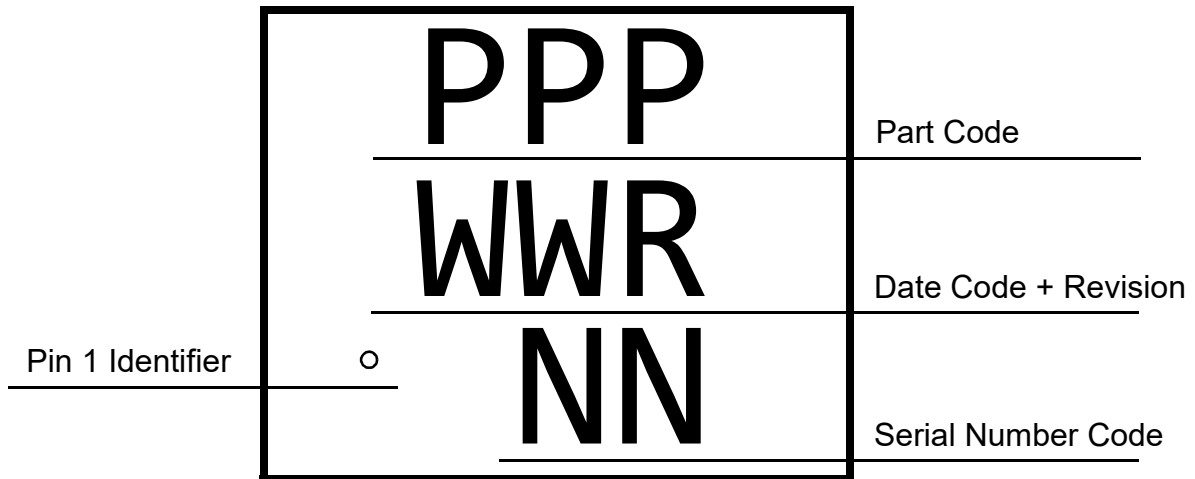
GreenPAK Programmable Mixed-Signal Matrix

18 Package Top Marking Definitions

18.1 STQFN 14L 1.6 MM X 2 MM 0.4P FC, BEFORE FEBRUARY 1, 2021



18.2 STQFN 14L 1.6 MM X 2 MM 0.4P FC, AFTER FEBRUARY 1, 2021

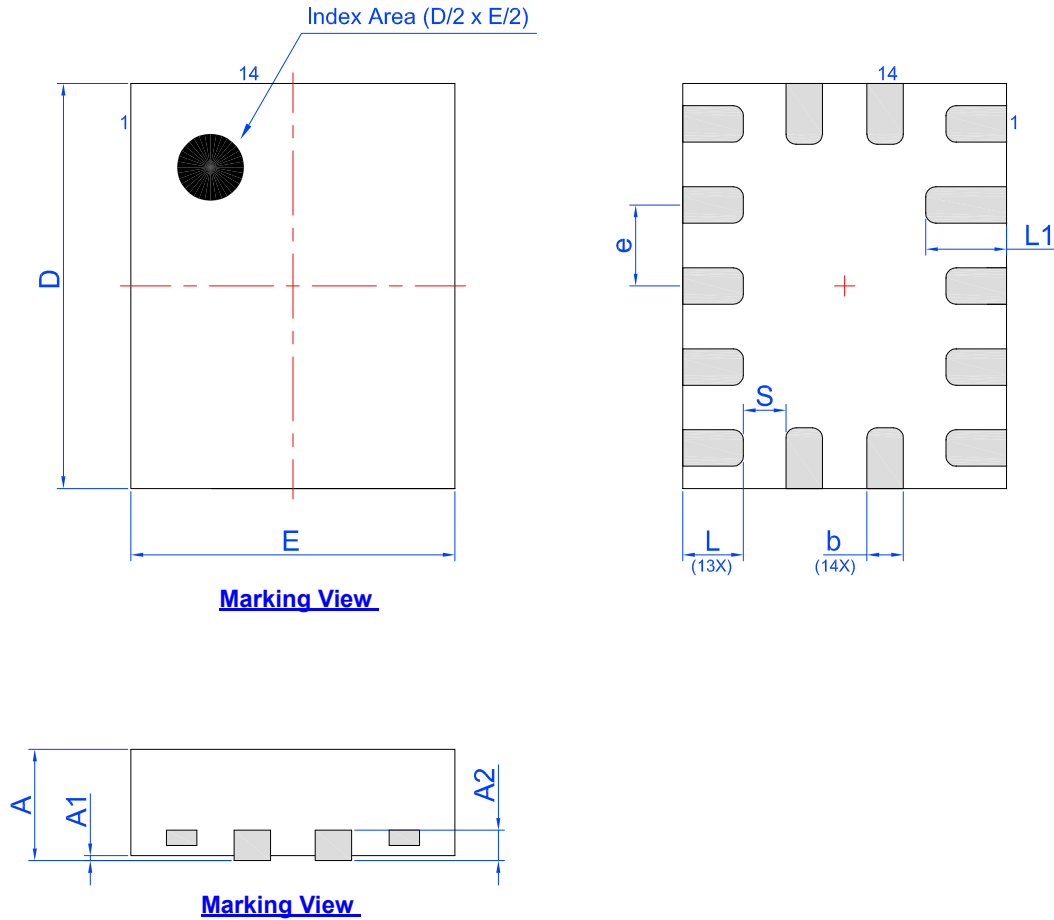


GreenPAK Programmable Mixed-Signal Matrix

19 Package Information

19.1 PACKAGE OUTLINES FOR STQFN 14L 1.6 MM X 2.0 MM X 0.55 MM 0.4P FC PACKAGE

JEDEC MO-220
IC Net Weight: TBD g



Unit: mm

Symbol	Min	Nom.	Max	Symbol	Min	Nom.	Max
A	0.50	0.55	0.60	D	1.95	2.00	2.05
A1	0.005	-	0.050	E	1.55	1.60	1.65
A2	0.10	0.15	0.20	L	0.25	0.30	0.35
b	0.13	0.18	0.23	L1	0.35	0.40	0.45
e	0.40 BSC			S	0.21 REF		

GreenPAK Programmable Mixed-Signal Matrix**19.2 STQFN HANDLING**

Be sure to handle STQFN package only in a clean, ESD-safe environment. Tweezers or vacuum pick-up tools are suitable for handling. Do not handle STQFN package with fingers as this can contaminate the package pins and interface with solder reflow.

19.3 SOLDERING INFORMATION

Please see IPC/JEDEC J-STD-020: latest revision for reflow profile based on package volume of 2.64 mm³ (nominal) for STQFN 14L Package. More information can be found at www.jedec.org.

GreenPAK Programmable Mixed-Signal Matrix

20 Ordering Information

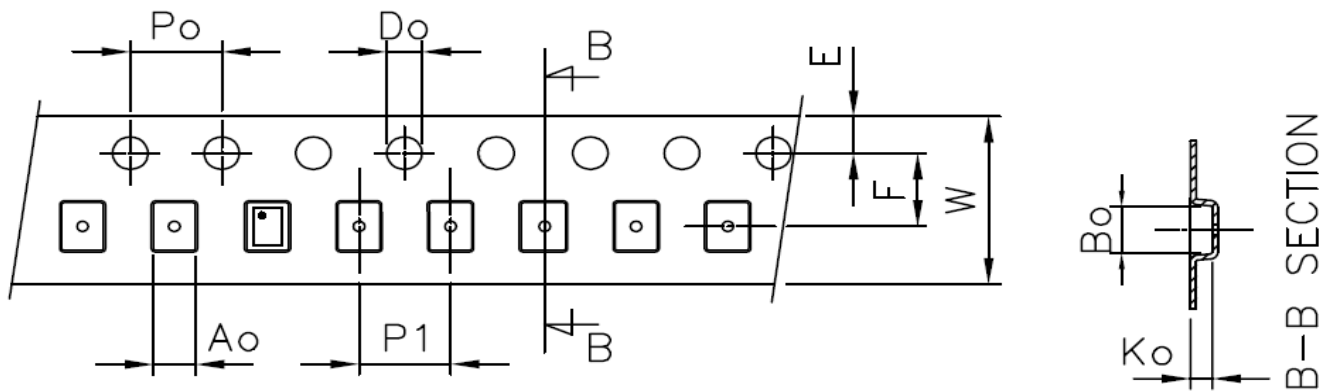
Part Number	Type
SLG46855V	14-pin STQFN
SLG46855VTR	14-pin STQFN - Tape and Reel (3k units)

20.1 TAPE AND REEL SPECIFICATIONS

Package Type	# of Pins	Nominal Package Size (mm)	Max Units		Reel & Hub Size (mm)	Leader (min)		Trailer (min)		Tape Width (mm)	Part Pitch (mm)
			per Reel	per Box		Pockets	Length (mm)	Pockets	Length (mm)		
STQFN 14L 1.6 mm x 2 mm 0.4P FC Green	14	1.6x2.0x0.55	3000	3000	178/60	100	400	100	400	8	4

20.2 CARRIER TAPE DRAWING AND DIMENSIONS

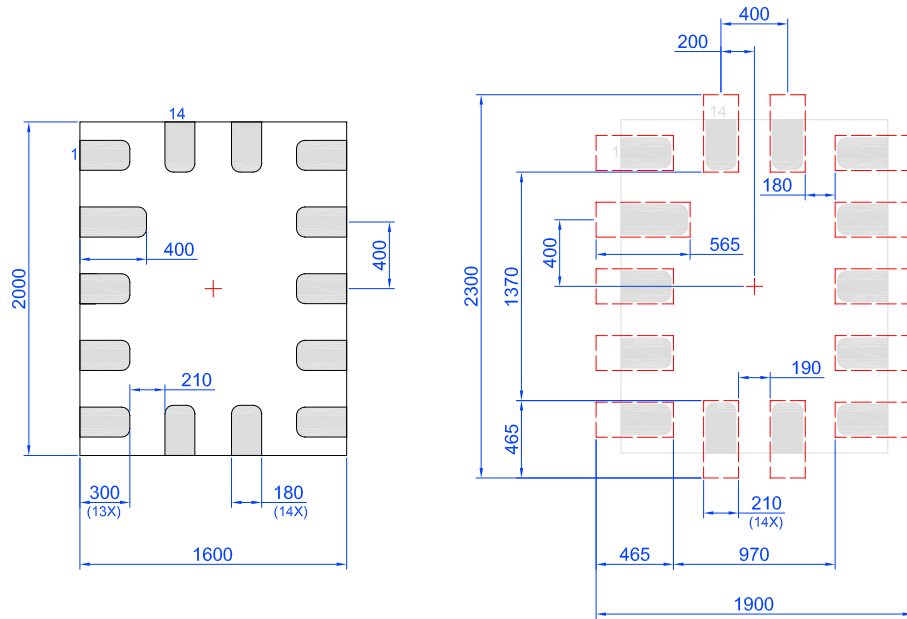
Package Type	Pocket BTM Length (mm)	Pocket BTM Width (mm)	Pocket Depth (mm)	Index Hole Pitch (mm)	Pocket Pitch (mm)	Index Hole Diameter (mm)	Index Hole to Tape Edge (mm)	Index Hole to Pocket Center (mm)	Tape Width (mm)
	A0	B0	K0	P0	P1	D0	E	F	W
STQFN 14L 1.6 mm x 2 mm 0.4P FC Green	1.9	2.3	0.76	4	4	1.5	1.75	3.5	8



GreenPAK Programmable Mixed-Signal Matrix

21 Layout Guidelines

21.1 STQFN 14L 1.6 MM X 2.0 MM X 0.55 MM 0.4P FC PACKAGE



Unit: μm

GreenPAK Programmable Mixed-Signal Matrix

Glossary**A**

ACK	Acknowledge bit
ACMP	Analog Comparator
ACMPH	Analog Comparator High Speed
ACMPL	Analog Comparator Low Power

B

BG	Bandgap
----	---------

C

CLK	Clock
CMO	Connection matrix output
CNT	Counter

D

DFF	D Flip-Flop
DLY	Delay

E

ESD	Electrostatic discharge
EV	End Value

F

FSM	Finite State Machine
-----	----------------------

G

GPI	General Purpose Input
GPIO	General Purpose Input/Output
GPO	General Purpose Output

I

IN	Input
IO	Input/Output

L

LPF	Low Pass Filter
LSB	Least Significant Bit
LUT	Look Up Table

GreenPAK Programmable Mixed-Signal Matrix

LV Low Voltage

M

MSB Most Significant Bit

MUX Multiplexer

N

NPR Non-Volatile Memory Read/Write/Erase Protection

nRST Reset

NVM Non-Volatile Memory

O

OD Open-Drain

OE Output Enable

OSC Oscillator

OTP One Time Programmable

OUT Output

P

PD Power-down

PGen Pattern Generator

POR Power-On Reset

PP Push-Pull

PWR Power

P DLY Programmable Delay

R

R/W Read/Write

S

SCL I²C Clock Input

SDA I²C Data Input/Output

SLA Slave Address

SMT With Schmitt Trigger

SV nSET Value

T

TS Temperature Sensor

GreenPAK Programmable Mixed-Signal Matrix

V

Vref Voltage Reference

W

WOSMT Without Schmitt Trigger

WS Wake and Sleep Controller

GreenPAK Programmable Mixed-Signal Matrix

Revision History

Revision	Date	Description
3.15	23-Jul-2021	Updated section GPIO8 Source for Oscillator 2 (25 MHz) t _{start} updated in table ACMP Specifications Updated section Wake and Sleep Controller Corrected Wake and Sleep Controller Block Diagram Corrected figure 4-bit LUT1 or CNT/DLY0 Added parameter Vref Errors in ACMP Spec table
3.14	4-Feb-2021	t _{start} updated in table ACMP Specifications at T = -40 °C to +85 °C, V _{DD} = 2.3 V to 5.5 V Unless Otherwise Noted Corrected figure GPIO with I ² C Mode IO Structure Diagram Updated section Package Top Marking System Definition Updated figure Internal Macrocell States During POR Sequence Updated figure POR Sequence Updated figure 4-bit LUT1 or CNT/DLY0 Corrected information in Matrix Input Table Corrected information in Register Map table for registers [591], [593], [595], [597], [599], [601], [603], [605]
3.13	13-Aug-2020	Updated information for GPIO0 and GPIO1 in tables Functional Pin Description and Register Map Corrected POR Initialization and Power Down sections Corrected 3-Bit LUT or DFF/Latch with 8-Bit Counter/Delay Macrocells section Fixed typos
3.12	26-May-2020	Added description for Internal 100 µA current source Updated registers [1522:1520] Corrected Read/Write Protection Options table Updated information in section Analog Comparators Corrected Figure TS Output vs Temperature Updated section CNT/DLY/FSM Timing Diagrams Corrected section Package Top Marking Definitions Added note for CNTs
3.11	10-Feb-2020	Corrected Wake/Sleep Timing Diagrams, Normal and Short Wake Mode, Counter Set is Used Corrected Pattern Generator Block Diagram Corrected CNTs Clock Source Select (CNTx_end) registers Corrected Reset Command Timing figure Corrected ACMP Characteristics Corrected 3-Bit LUT or D Flip-Flop with Set/Reset Macrocells section Corrected Wake/Sleep Controller Diagram Corrected Deglitch Filter/Edge Detector Diagram Updated Typical Counter/Delay Offset Table Corrected EC of the I ² C Pins Table Updated 4-Bit LUT or DFF/Latch with 16-Bit Counter/Delay Macrocell Block Diagram
3.10	16-Oct-2019	Corrected GPIO with I ² C Mode IO Structure Updated registers [1967:1965], register [1963], register [1961] and register [1960] Corrected registers [1447:1440] Corrected 4-bit LUT1 or CNT/DLY0 Diagram Corrected 3-bit LUT16/Pipe Delay/Ripple Counter Diagram Updated 4-bit LUT1 or CNT/DLY0 Diagram
3.9	7-Aug-2019	Updated section 4-Bit LUT or DFF/Latch with 16-Bit Counter/Delay Macrocell Updated section 3-Bit LUT or D Flip-Flop with Set/Reset Macrocells Corrected Edge Detection Mode Timing Diagram Corrected Delayed Edge Detection Mode Timing Diagram Corrected ACMPs hysteresis selection options Fixed typos Corrected Matrix Output Table

GreenPAK Programmable Mixed-Signal Matrix

Revision	Date	Description
3.8	4-Jul-2019	Updated according to new template Push-Pull 4x added to table Absolute Maximum Ratings Corrected registers [705:704], [711:706], [785:784], [789], [790], [792:791], [796], [2032] Corrected Pin Description
3.7	31-May-2019	Updated Figures in Oscillators Power-On Delay Section Updated Oscillators Power-On Delay Table Updated Oscillators Frequency limit data Updated figures in Oscillators Accuracy Section Updated subsection Reading Counter Data via I ² C Fixed typos Corrected Oscillators names Changed I ² C Serial Communications Macrocell section structure
3.6	3-Apr-2019	Corrected 2-bit LUT3 or PGen Figure Updated according to Dialog's Writing Guideline Updated "Typical Current Estimated for Each Macrocell" table Added new subsection Electrostatic Discharge Ratings Fixed typos
3.5	1-Mar-2019	Fixed formatting error Updated Voltage Reference Block Diagram, registers [677], [680] Removed information about SCL and SDA Pins' Schmitt Trigger Fixed typos Added ACMPs' hysteresis information
3.4	17-Dec-2018	Added graph for ACMP Input Current Source Updated Input Current Source Spec Added graphs to Oscillators Accuracy section Corrected Absolute Maximum Ratings Added section ACMP Typical Performance Added section IO Typical Performance Updated Table Typical Delay Estimated for Each Macrocell Updated ACMP section Fixed typos Updated 4x Drive Pins Structure Diagram
3.3	5-Oct-2018	Updated IO Pins Structure Diagrams Fixed typos Updated Matrix OE IO 4x Drive Structure Diagram Updated GPO Register OE 4x Drive Structure Diagram Updated Analog Temperature Sensor Structure Diagram
3.2	14-Sept-2018	Fixed typos Updated Oscillator Startup Diagram Updated Example of I ² C Byte Write Bit Masking
3.1	9-Aug-2018	Updated section STQFN Handling Fixed typos Updated R _{PULL} in Electrical Spec
3.0	15-May-2018	Final version

GreenPAK Programmable Mixed-Signal Matrix

Status Definitions

Revision	Datasheet Status	Product Status	Definition
1.<n>	Target	Development	This datasheet contains the design specifications for product development. Specifications may change in any manner without notice.
2.<n>	Preliminary	Qualification	This datasheet contains the specifications and preliminary characterization data for products in pre-production. Specifications may be changed at any time without notice in order to improve the design.
3.<n>	Final	Production	This datasheet contains the final specifications for products in volume production. The specifications may be changed at any time in order to improve the design, manufacturing and supply. Major specification changes are communicated via Customer Product Notifications. Datasheet changes are communicated via www.dialog-semiconductor.com .
4.<n>	Obsolete	Archived	This datasheet contains the specifications for discontinued products. The information is provided for reference only.

Disclaimer

Unless otherwise agreed in writing, the Dialog Semiconductor products (and any associated software) referred to in this document are not designed, authorized or warranted to be suitable for use in life support, life-critical or safety-critical systems or equipment, nor in applications where failure or malfunction of a Dialog Semiconductor product (or associated software) can reasonably be expected to result in personal injury, death or severe property or environmental damage. Dialog Semiconductor and its suppliers accept no liability for inclusion and/or use of Dialog Semiconductor products (and any associated software) in such equipment or applications and therefore such inclusion and/or use is at the customer's own risk.

Information in this document is believed to be accurate and reliable. However, Dialog Semiconductor does not give any representations or warranties, express or implied, as to the accuracy or completeness of such information. Dialog Semiconductor furthermore takes no responsibility whatsoever for the content in this document if provided by any information source outside of Dialog Semiconductor.

Dialog Semiconductor reserves the right to change without notice the information published in this document, including, without limitation, the specification and the design of the related semiconductor products, software and applications. Notwithstanding the foregoing, for any automotive grade version of the device, Dialog Semiconductor reserves the right to change the information published in this document, including, without limitation, the specification and the design of the related semiconductor products, software and applications, in accordance with its standard automotive change notification process.

Applications, software, and semiconductor products described in this document are for illustrative purposes only. Dialog Semiconductor makes no representation or warranty that such applications, software and semiconductor products will be suitable for the specified use without further testing or modification. Unless otherwise agreed in writing, such testing or modification is the sole responsibility of the customer and Dialog Semiconductor excludes all liability in this respect.

Nothing in this document may be construed as a license for customer to use the Dialog Semiconductor products, software and applications referred to in this document. Such license must be separately sought by customer with Dialog Semiconductor.

All use of Dialog Semiconductor products, software and applications referred to in this document are subject to Dialog Semiconductor's [Standard Terms and Conditions of Sale](http://www.dialog-semiconductor.com), available on the company website (www.dialog-semiconductor.com) unless otherwise stated.

Dialog, Dialog Semiconductor and the Dialog logo are trademarks of Dialog Semiconductor Plc or its subsidiaries. All other product or service names and marks are the property of their respective owners.

© 2021 Dialog Semiconductor. All rights reserved.

RoHS Compliance

Dialog Semiconductor's suppliers certify that its products are in compliance with the requirements of Directive 2011/65/EU of the European Parliament on the restriction of the use of certain hazardous substances in electrical and electronic equipment. RoHS certificates from our suppliers are available on request.

Contacting Dialog Semiconductor

United Kingdom (Headquarters)

Dialog Semiconductor (UK) LTD
Phone: +44 1793 757700

Germany

Dialog Semiconductor GmbH
Phone: +49 7021 805-0

The Netherlands

Dialog Semiconductor B.V.
Phone: +31 73 640 8822

Email:

enquiry@diasemi.com

North America

Dialog Semiconductor Inc.
Phone: +1 408 845 8500

Japan

Dialog Semiconductor K. K.
Phone: +81 3 5769 5100

Taiwan

Dialog Semiconductor Taiwan
Phone: +886 281 786 222

Web site:

www.dialog-semiconductor.com

Hong Kong

Dialog Semiconductor Hong Kong
Phone: +852 2607 4271

Korea

Dialog Semiconductor Korea
Phone: +82 2 3469 8200

China (Shenzhen)

Dialog Semiconductor China
Phone: +86 755 2981 3669

China (Shanghai)

Dialog Semiconductor China
Phone: +86 21 5424 9058