

## GreenPAK Programmable Mixed-Signal Matrix with In System Programmability

### General Description

The SLG46824 provides a small, low power component for commonly used Mixed-Signal functions. The user creates the circuit design by programming the multiple time Non-Volatile Memory (NVM) to configure the interconnect logic, the IOs, and the macrocells of the SLG46824. Dual power supply allows to flexibly interface two independent voltage domains. This highly versatile device allows a wide variety of Mixed-Signal functions to be designed within a very small, low power single integrated circuit.

### Key Features

- Two Low Power General Purpose Rail-to-Rail Analog Comparators (ACMPxL)
- One Voltage Reference
  - One Vref Output
- Eleven Combination Function Macrocells
  - Three Selectable DFF/LATCH or 2-bit LUTs
  - One Selectable Programmable Pattern Generator or 2-bit LUT
  - Six Selectable DFF/LATCH or 3-bit LUTs
  - One Selectable Pipe Delay or Ripple Counter, or 3-bit LUT
- Eight Multi-Function Macrocells
  - Seven Selectable DFF/LATCH or 3-bit LUTs + 8-bit Delay/Counters
  - One Selectable DFF/LATCH or 4-bit LUT + 16-bit Delay/Counter
- Serial Communications
  - I<sup>2</sup>C Protocol Interface
- Programmable Delay with Edge Detector Output
- Deglitch Filter or Edge Detector
- Three Oscillators
  - 2.048 kHz Oscillator
  - 2.048 MHz Oscillator
  - 25 MHz Oscillator
- Power-On Reset
- In System Programmability
- Multiple Time Programmable Memory
- Wide Range Power Supply
  - 2.5 V ( $\pm 8\%$ ) to 5 V ( $\pm 10\%$ )  $V_{DD}$
  - 1.8 V ( $\pm 5\%$ ) to 5 V ( $\pm 10\%$ )  $V_{DD2}$  ( $V_{DD2} \leq V_{DD}$ )
- Operating Temperature Range:  $-40\text{ }^{\circ}\text{C}$  to  $85\text{ }^{\circ}\text{C}$
- RoHS Compliant/Halogen-Free
- Two Packages Available
  - 20-pin STQFN: 2 mm x 3 mm x 0.55 mm, 0.4 mm pitch
  - 20-pin TSSOP: 6.5 mm x 6.4 mm x 1.2 mm, 0.65 mm pitch

### Applications

- Personal Computers and Servers
- PC Peripherals
- Consumer Electronics
- Data Communications Equipment
- Handheld and Portable Electronics
- Smartphones and Fitness Bands
- Notebook and Tablet PCs

## GreenPAK Programmable Mixed-Signal Matrix with In System Programmability

### Contents

|   |           |
|---|-----------|
| <b>General Description</b> .....                                    | <b>1</b>  |
| <b>Key Features</b> .....   | <b>1</b>  |
| <b>Applications</b> .....   | <b>1</b>  |
| <b>1 Block Diagram</b> .....  | <b>7</b>  |
| <b>2 Pinout</b> .....   | <b>8</b>  |
| 2.1 Pin Configuration - STQFN- 20L .....                            | 8         |
| 2.2 Pin Configuration - TSSOP-20L .....                             | 9         |
| <b>3 Characteristics</b> .....                                      | <b>13</b> |
| 3.1 Absolute Maximum Ratings .....                                  | 13        |
| 3.2 Electrostatic Discharge Ratings .....                           | 13        |
| 3.3 Recommended Operating Conditions .....                          | 13        |
| 3.4 Electrical Characteristics .....                                | 14        |
| 3.5 Timing Characteristics .....                                    | 21        |
| 3.6 OSC Characteristics .....                                       | 24        |
| 3.7 ACMP Specifications .....                                       | 25        |
| <b>4 User Programmability</b> .....                                 | <b>27</b> |
| <b>5 IO Pins</b> .....  | <b>28</b> |
| 5.1 IO Pins .....   | 28        |
| 5.2 GPIO Pins .....   | 28        |
| 5.3 GPO Pins .....  | 28        |
| 5.4 GPI Pins .....  | 28        |
| 5.5 Pull-Up/Down Resistors .....                                    | 28        |
| 5.6 Fast Pull-up/down during Power-up .....                         | 28        |
| 5.7 I2C Mode IO Structure (VDD or VDD2) .....                       | 29        |
| 5.8 Matrix OE IO Structure (VDD or VDD2) .....                      | 30        |
| 5.9 Register OE IO Structure (VDD or VDD2) .....                    | 31        |
| 5.10 Register OE IO Structure (VDD or VDD2) .....                   | 32        |
| 5.11 IO Typical Performance .....                                   | 33        |
| <b>6 Connection Matrix</b> .....                                    | <b>36</b> |
| 6.1 Matrix Input Table .....  | 37        |
| 6.2 Matrix Output Table .....                                       | 38        |
| 6.3 Connection Matrix Virtual Inputs .....                          | 41        |
| 6.4 Connection Matrix Virtual Outputs .....                         | 42        |
| <b>7 Combination Function Macrocells</b> .....                      | <b>43</b> |
| 7.1 2-Bit LUT or D Flip-Flop Macrocells .....                       | 43        |
| 7.2 2-bit LUT or Programmable Pattern Generator .....               | 46        |
| 7.3 3-Bit LUT or D Flip-Flop with Set/Reset Macrocells .....        | 48        |
| 7.4 3-Bit LUT or Pipe Delay/Ripple Counter Macrocell .....          | 56        |
| <b>8 Multi-Function Macrocells</b> .....                            | <b>61</b> |
| 8.1 3-Bit LUT or 8-Bit Counter/Delay Macrocells .....               | 61        |
| 8.2 CNT/DLY/FSM Timing Diagrams .....                               | 70        |
| 8.3 4-Bit LUT or 16-Bit Counter/Delay Macrocell .....               | 78        |
| <b>9 Analog Comparators</b> .....                                   | <b>80</b> |
| 9.1 ACMP0L Block Diagram .....                                      | 81        |
| 9.2 ACMP1L Block Diagram .....                                      | 82        |
| 9.3 ACMP Typical Performance .....                                  | 83        |
| <b>10 Programmable Delay/Edge Detector</b> .....                    | <b>85</b> |
| 10.1 Programmable Delay Timing Diagram - Edge Detector Output ..... | 85        |
| <b>11 Additional Logic Function. Deglitch Filter</b> .....          | <b>86</b> |
| <b>12 Voltage Reference</b> .....                                   | <b>87</b> |
| 12.1 Voltage Reference Overview .....                               | 87        |
| 12.2 Vref Selection Table .....                                     | 87        |
| 12.3 Vref Block Diagram .....                                       | 88        |
| 12.4 VREF Load Regulation .....                                     | 88        |
| <b>13 Clocking</b> .....  | <b>91</b> |
| 13.1 Oscillator general description .....                           | 91        |

## GreenPAK Programmable Mixed-Signal Matrix with In System Programmability

|  |            |
|--|------------|
| 13.2 Oscillator0 (2.048 kHz) .....                                   | 92         |
| 13.3 Oscillator1 (2.048 MHz) .....                                   | 93         |
| 13.4 Oscillator2 (25 MHz) .....                                      | 94         |
| 13.5 Clock Scheme .....  | 95         |
| 13.6 External Clocking .....   | 95         |
| 13.7 Oscillators Power-On Delay .....                                | 96         |
| 13.8 Oscillators ACCURACY .....                                      | 98         |
| <b>14 Power-On Reset .....</b>                                       | <b>101</b> |
| 14.1 General Operation .....   | 101        |
| 14.2 POR Sequence .....  | 102        |
| 14.3 Macrocells Output States During POR Sequence .....              | 102        |
| <b>15 I<sup>2</sup>C Serial Communications Macrocell .....</b>       | <b>105</b> |
| 15.1 I <sup>2</sup> C Serial Communications Macrocell Overview ..... | 105        |
| 15.2 I <sup>2</sup> C Serial Communications Device Addressing .....  | 105        |
| 15.3 I <sup>2</sup> C Serial General Timing .....                    | 106        |
| 15.4 I <sup>2</sup> C Serial Communications Commands .....           | 106        |
| 15.5 Chip Configuration Data Protection .....                        | 109        |
| 15.6 I <sup>2</sup> C Additional Options .....                       | 111        |
| <b>16 Non-Volatile Memory .....</b>                                  | <b>113</b> |
| 16.1 Serial NVM Write Operations .....                               | 113        |
| 16.2 Serial NVM Read Operations .....                                | 115        |
| 16.3 Serial NVM Erase Operations .....                               | 115        |
| <b>17 Register Definitions .....</b>                                 | <b>116</b> |
| 17.1 Register Map .....  | 116        |
| <b>18 Package Top Marking System Definition .....</b>                | <b>158</b> |
| 18.1 STQFN 20L 2 mm x 3 mm 0.4P FCD Package .....                    | 158        |
| 18.2 TSSOP-20 .....  | 158        |
| <b>19 Package Information .....</b>                                  | <b>159</b> |
| 19.1 Package outlines for STQFN 20L 2 mm x 3 mm 0.4P FCD .....       | 159        |
| 19.2 Package outlines for TSSOP 20L 173 MIL Green .....              | 160        |
| 19.3 STQFN and TSSOP Handling .....                                  | 161        |
| 19.4 Soldering Information .....                                     | 161        |
| <b>20 Ordering Information .....</b>                                 | <b>161</b> |
| 20.1 Tape and Reel Specifications .....                              | 161        |
| 20.2 Carrier Tape Drawing and Dimensions .....                       | 161        |
| 20.3 STQFN-20L .....   | 162        |
| 20.4 TSSOP-20L .....   | 162        |
| <b>21 Layout Guidelines .....</b>                                    | <b>163</b> |
| 21.1 STQFN 20L 2 mm x 3 mm 0.4P FCD Package .....                    | 163        |
| 21.2 TSSOP-20 .....  | 164        |
| <b>Glossary .....</b>  | <b>165</b> |
| <b>Revision History .....</b>  | <b>168</b> |

## GreenPAK Programmable Mixed-Signal Matrix with In System Programmability

### Figures

|  |    |
|--|----|
| Figure 1: Block Diagram .....  | 7  |
| Figure 2: Steps to Create a Custom GreenPAK Device .....   | 27 |
| Figure 3: IO with I2C Mode IO Structure Diagram .....  | 29 |
| Figure 4: Matrix OE IO Structure Diagram .....   | 30 |
| Figure 5: GPIO Register OE IO Structure Diagram .....  | 31 |
| Figure 6: GPIO Register OE IO Structure Diagram .....  | 32 |
| Figure 7: Typical High Level Output Current vs. High Level Output Voltage at T = 25 °C .....                             | 33 |
| Figure 8: Typical Low Level Output Current vs. Low Level Output Voltage, 1x Drive at T = 25 °C, Full Range .....         | 33 |
| Figure 9: Typical Low Level Output Current vs. Low Level Output Voltage, 1x Drive at T = 25 °C .....                     | 34 |
| Figure 10: Typical Low Level Output Current vs. Low Level Output Voltage, 2x Drive at T = 25 °C, Full Range .....        | 34 |
| Figure 11: Typical Low Level Output Current vs. Low Level Output Voltage, 2x Drive at T = 25 °C .....                    | 35 |
| Figure 12: Connection Matrix .....   | 36 |
| Figure 13: Connection Matrix Example .....   | 36 |
| Figure 14: 2-bit LUT0 or DFF0 .....  | 43 |
| Figure 15: 2-bit LUT1 or DFF1 .....  | 44 |
| Figure 16: 2-bit LUT2 or DFF2 .....  | 44 |
| Figure 17: DFF Polarity Operations .....   | 46 |
| Figure 18: 2-bit LUT3 or PGen .....  | 47 |
| Figure 19: PGen Timing Diagram .....   | 47 |
| Figure 20: 3-bit LUT0 or DFF3 .....  | 49 |
| Figure 21: 3-bit LUT1 or DFF2 .....  | 49 |
| Figure 22: 3-bit LUT1 or DFF4 .....  | 50 |
| Figure 23: 3-bit LUT2 or DFF5 .....  | 50 |
| Figure 24: 3-bit LUT3 or DFF6 .....  | 51 |
| Figure 25: 3-bit LUT4 or DFF7 .....  | 51 |
| Figure 26: 3-bit LUT5 or DFF8 .....  | 52 |
| Figure 27: DFF Polarity Operations with nReset .....   | 55 |
| Figure 28: DFF Polarity Operations with nSet .....   | 56 |
| Figure 29: 3-bit LUT6/Pipe Delay/Ripple Counter .....  | 58 |
| Figure 30: Example: Ripple Counter Functionality .....   | 59 |
| Figure 31: Possible Connections Inside Multi-Function Macrocell .....  | 61 |
| Figure 32: 8-bit Multi-Function Macrocells Block Diagram (3-bit LUT7/DFF10, CNT/DLY1) .....                              | 62 |
| Figure 33: 8-bit Multi-Function Macrocells Block Diagram (3-bit LUT8/DFF11, CNT/DLY2) .....                              | 63 |
| Figure 34: 8-bit Multi-Function Macrocells Block Diagram (3-bit LUT9/DFF12, CNT/DLY3) .....                              | 64 |
| Figure 35: 8-bit Multi-Function Macrocells Block Diagram (3-bit LUT10/DFF13, CNT/DLY4) .....                             | 65 |
| Figure 36: 8-bit Multi-Function Macrocells Block Diagram (3-bit LUT11/DFF14, CNT/DLY5) .....                             | 66 |
| Figure 37: 8-bit Multi-Function Macrocells Block Diagram (3-bit LUT12/DFF15, CNT/DLY6) .....                             | 67 |
| Figure 38: 8-bit Multi-Function Macrocells Block Diagram (3-bit LUT13/DFF16, CNT/DLY7) .....                             | 68 |
| Figure 39: Delay Mode Timing Diagram .....   | 70 |
| Figure 40: Counter Mode Timing Diagram without Two DFFs Synced Up .....  | 71 |
| Figure 41: Counter Mode Timing Diagram with Two DFFs Synced Up .....   | 71 |
| Figure 42: One-Shot Function Timing Diagram .....  | 72 |
| Figure 43: Frequency Detection Mode Timing Diagram .....   | 73 |
| Figure 44: Edge Detection Mode Timing Diagram .....  | 74 |
| Figure 45: Delay Mode Timing Diagram .....   | 75 |
| Figure 46: CNT/FSM Timing Diagram (Reset Rising Edge Mode, Oscillator is Forced On, UP = 0) for Counter Data = 3 .....   | 75 |
| Figure 47: CNT/FSM Timing Diagram (Set Rising Edge Mode, Oscillator is Forced On, UP = 0) for Counter Data = 3 .....     | 76 |
| Figure 48: CNT/FSM Timing Diagram (Reset Rising Edge Mode, Oscillator is Forced On, UP = 1) for Counter Data = 3 .....   | 76 |
| Figure 49: CNT/FSM Timing Diagram (Set Rising Edge Mode, Oscillator is Forced On, UP = 1) for Counter Data = 3 .....     | 77 |
| Figure 50: Counter Value, Counter Data = 3 .....   | 77 |
| Figure 51: 4-bit LUT0 or CNT/DLY0 .....  | 78 |
| Figure 52: ACMP0L Block Diagram .....  | 81 |
| Figure 53: ACMP0L Block Diagram .....  | 82 |
| Figure 54: Typical Propagation Delay vs. Vref for ACMPxL at T = 25 °C, Gain = 1, Buffer - Disabled, Hysteresis = 0 ..... | 83 |
| Figure 55: ACMPxL Power-On Delay vs. VDD .....   | 83 |
| Figure 56: ACMPxL Input Offset Voltage vs. Vref at T = -40 °C to 85 °C .....   | 84 |

## GreenPAK Programmable Mixed-Signal Matrix with In System Programmability

|  |     |
|--|-----|
| Figure 57: Programmable Delay .....  | 85  |
| Figure 58: Edge Detector Output .....  | 85  |
| Figure 59: Deglitch Filter or Edge Detector .....  | 86  |
| Figure 60: Voltage Reference Block Diagram .....   | 88  |
| Figure 61: Typical Load Regulation, Vref = 320 mV, T = -40 °C to +85 °C, Buffer - Enable .....         | 88  |
| Figure 62: Typical Load Regulation, Vref = 640 mV, T = -40 °C to +85 °C, Buffer - Enable .....         | 89  |
| Figure 63: Typical Load Regulation, Vref = 1280 mV, T = -40 °C to +85 °C, Buffer - Enable .....        | 89  |
| Figure 64: Typical Load Regulation, Vref = 2016 mV, T = -40 °C to +85 °C, Buffer - Enable .....        | 90  |
| Figure 65: Oscillator0 Block Diagram .....   | 92  |
| Figure 66: Oscillator1 Block Diagram .....   | 93  |
| Figure 67: Oscillator2 Block Diagram .....   | 94  |
| Figure 68: Clock Scheme .....  | 95  |
| Figure 69: Oscillator Startup Diagram .....  | 96  |
| Figure 70: Oscillator0 Maximum Power-On Delay vs. V <sub>DD</sub> at T = 25 °C, OSC0 = 2.048 kHz ..... | 96  |
| Figure 71: Oscillator1 Maximum Power-On Delay vs. V <sub>DD</sub> at T = 25 °C, OSC1 = 2.048 MHz ..... | 97  |
| Figure 72: Oscillator2 Maximum Power-On Delay vs. V <sub>DD</sub> at T = 25 °C, OSC2 = 25 MHz .....    | 97  |
| Figure 73: Oscillator0 Frequency vs. Temperature, OSC0 = 2.048 kHz .....                               | 98  |
| Figure 74: Oscillator1 Frequency vs. Temperature, OSC1 = 2.048 MHz .....                               | 98  |
| Figure 75: Oscillator2 Frequency vs. Temperature, OSC2 = 25 MHz .....                                  | 99  |
| Figure 76: Oscillators Total Error vs. Temperature .....   | 99  |
| Figure 77: POR Sequence .....  | 102 |
| Figure 78: Internal Macrocell States during POR Sequence .....   | 103 |
| Figure 79: Power-Down .....  | 104 |
| Figure 80: Basic Command Structure .....   | 105 |
| Figure 81: I2C General Timing Characteristics .....  | 106 |
| Figure 82: Byte Write Command, R/W = 0 .....   | 106 |
| Figure 83: Sequential Write Command .....  | 107 |
| Figure 84: Current Address Read Command, R/W = 1 .....   | 107 |
| Figure 85: Random Read Command .....   | 108 |
| Figure 86: Sequential Read Command .....   | 108 |
| Figure 87: Reset Command Timing .....  | 109 |
| Figure 88: Example of I2C Byte Write Bit Masking .....   | 112 |
| Figure 89: Page Write Command .....  | 113 |
| Figure 90: I <sup>2</sup> C Block Addressing .....   | 114 |

## GreenPAK Programmable Mixed-Signal Matrix with In System Programmability

### Tables

|   |     |
|---|-----|
| Table 1: Functional Pin Description . . . . .   | 9   |
| Table 2: Pin Type Definitions . . . . .   | 12  |
| Table 3: Absolute Maximum Ratings . . . . .   | 13  |
| Table 4: Electrostatic Discharge Ratings . . . . .  | 13  |
| Table 5: Recommended Operating Conditions . . . . .   | 13  |
| Table 6: EC at T = -40 °C to +85 °C, VDD = 2.3 V to 5.5 V Unless Otherwise Noted . . . . .  | 14  |
| Table 7: EC of the I <sup>2</sup> C Pins at T = -40 °C to +85 °C, VDD = 2.3 V to 5.5 V Unless Otherwise Noted . . . . .             | 19  |
| Table 8: I <sup>2</sup> C Pins Timing Characteristics at T = -40 °C to +85 °C, VDD = 2.3 V to 5.5 V Unless Otherwise Noted. . . . . | 20  |
| Table 9: Typical Current Estimated for Each Macrocell at T = -40 °C to +85 °C . . . . .   | 21  |
| Table 10: Typical Delay Estimated for Each Macrocell at T = 25 °C . . . . .   | 21  |
| Table 11: Programmable Delay Expected Delays and Widths (Typical) at T = 25 °C . . . . .  | 24  |
| Table 12: Typical Filter Rejection Pulse Width at T = 25 °C . . . . .   | 24  |
| Table 13: Typical Counter/Delay Offset Measurements at T = 25 °C . . . . .  | 24  |
| Table 14: Oscillators Frequency Limits, V <sub>DD</sub> = 2.3 V to 5.5 V. . . . .   | 25  |
| Table 15: Oscillators Power-On Delay at T = 25 °C, OSC Power Mode: "Auto Power-On". . . . .   | 25  |
| Table 16: ACMP Specifications at T = -40 °C to +85 °C, VDD = 2.3 V to 5.5 V Unless Otherwise Noted . . . . .                        | 25  |
| Table 17: Matrix Input Table. . . . .   | 37  |
| Table 18: Matrix Output Table. . . . .  | 38  |
| Table 19: Connection Matrix Virtual Inputs . . . . .  | 42  |
| Table 20: 2-bit LUT0 Truth Table . . . . .  | 45  |
| Table 21: 2-bit LUT1 Truth Table . . . . .  | 45  |
| Table 22: 2-bit LUT2 Truth Table . . . . .  | 45  |
| Table 23: 2-bit LUT Standard Digital Functions . . . . .  | 45  |
| Table 24: 2-bit LUT1 Truth Table . . . . .  | 48  |
| Table 25: 2-bit LUT Standard Digital Functions . . . . .  | 48  |
| Table 26: 3-bit LUT0 Truth Table . . . . .  | 53  |
| Table 27: 3-bit LUT1 Truth Table . . . . .  | 53  |
| Table 28: 3-bit LUT2 Truth Table . . . . .  | 53  |
| Table 29: 3-bit LUT3 Truth Table . . . . .  | 53  |
| Table 30: 3-bit LUT4 Truth Table . . . . .  | 53  |
| Table 31: 3-bit LUT5 Truth Table . . . . .  | 53  |
| Table 32: 3-bit LUT Standard Digital Functions . . . . .  | 54  |
| Table 33: 3-bit LUT6 Truth Table . . . . .  | 59  |
| Table 34: 3-bit LUT7 Truth Table . . . . .  | 69  |
| Table 35: 3-bit LUT8 Truth Table . . . . .  | 69  |
| Table 36: 3-bit LUT9 Truth Table . . . . .  | 69  |
| Table 37: 3-bit LUT10 Truth Table . . . . .   | 69  |
| Table 38: 3-bit LUT11 Truth Table . . . . .   | 69  |
| Table 39: 3-bit LUT12 Truth Table . . . . .   | 69  |
| Table 40: 3-bit LUT13 Truth Table . . . . .   | 69  |
| Table 41: 4-bit LUT0 Truth Table . . . . .  | 79  |
| Table 42: 4-bit LUT Standard Digital Functions . . . . .  | 79  |
| Table 43: Vref Selection Table . . . . .  | 87  |
| Table 44: Oscillator Operation Mode Configuration Settings . . . . .  | 91  |
| Table 45: Oscillator Output Duty Cycle . . . . .  | 100 |
| Table 46: RPR Format . . . . .  | 109 |
| Table 47: RPR Bit Function Description. . . . .   | 109 |
| Table 48: NPR Format . . . . .  | 110 |
| Table 49: NPR Bit Function Description. . . . .   | 110 |
| Table 50: Read/Write Register Protection Options . . . . .  | 110 |
| Table 51: Erase Register Bit format . . . . .   | 115 |
| Table 52: Erase Register Bit Function Description . . . . .   | 115 |
| Table 53: Register Map . . . . .  | 116 |

GreenPAK Programmable Mixed-Signal Matrix with In System Programmability

1 Block Diagram

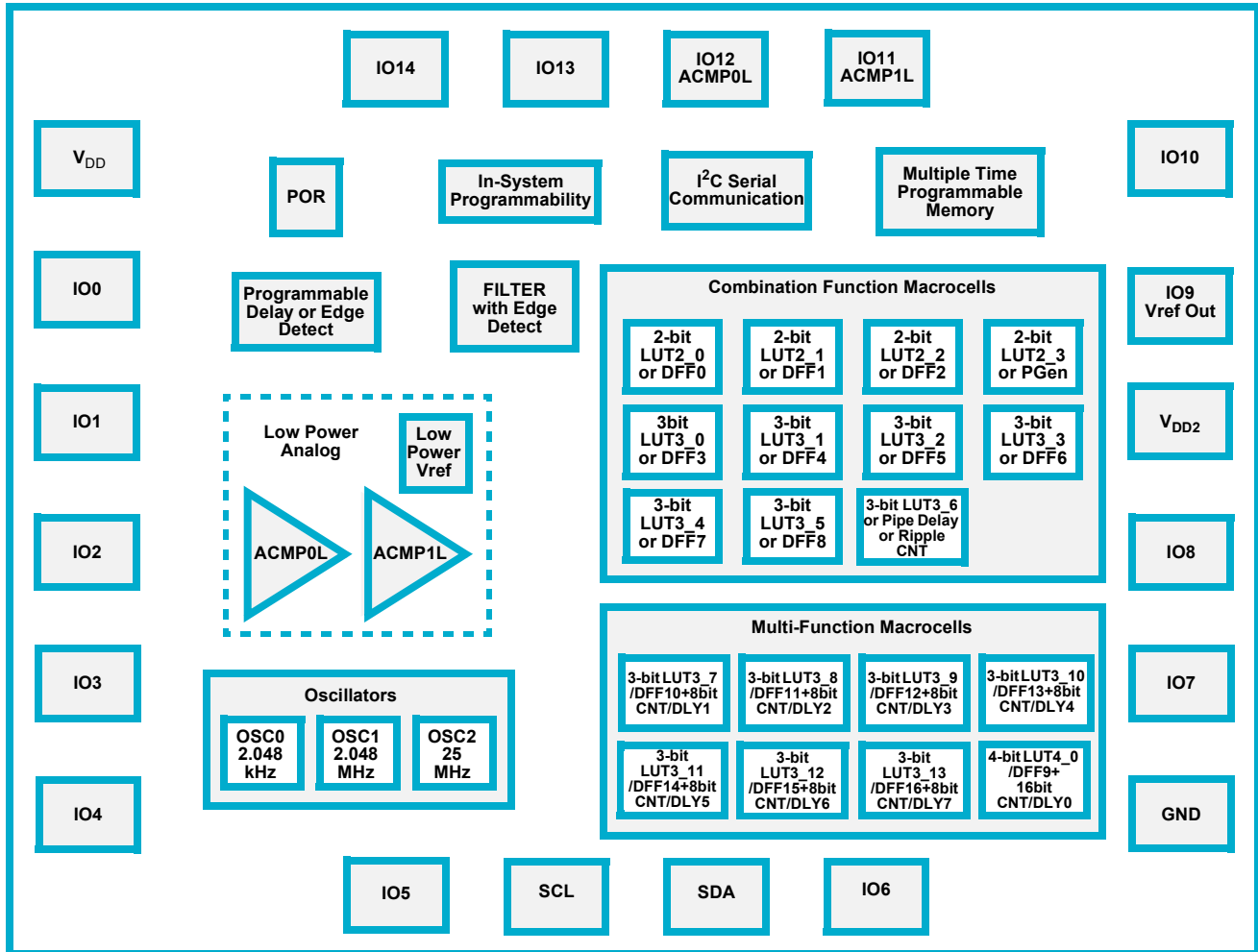
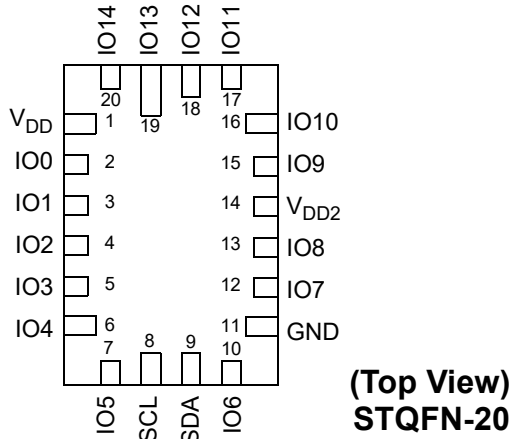


Figure 1: Block Diagram

**GreenPAK Programmable Mixed-Signal Matrix with In System Programmability**

**2 Pinout**

**2.1 PIN CONFIGURATION - STQFN- 20L**



| Pin # | Signal Name      | Pin Functions        |
|-------|------------------|----------------------|
| 1     | V <sub>DD</sub>  | Power Supply         |
| 2     | IO0              | GPIO                 |
| 3     | IO1              | GPIO or Vref IN      |
| 4     | IO2              | GPIO, SLA_0          |
| 5     | IO3              | GPIO, SLA_1          |
| 6     | IO4              | GPIO, SLA_2          |
| 7     | IO5              | GPIO, SLA_3          |
| 8     | SCL              | I <sup>2</sup> C_SCL |
| 9     | SDA              | I <sup>2</sup> C_SDA |
| 10    | IO6              | GPO                  |
| 11    | GND              | Ground               |
| 12    | IO7              | GPO                  |
| 13    | IO8              | GPIO                 |
| 14    | V <sub>DD2</sub> | Power Supply         |
| 15    | IO9              | GPIO or Vref_OUT1    |
| 16    | IO10             | GPIO                 |
| 17    | IO11             | GPIO or ACMP1L_IN    |
| 18    | IO12             | GPIO or ACMP0L_IN    |
| 19    | IO13             | GPIO                 |
| 20    | IO14             | GPIO                 |

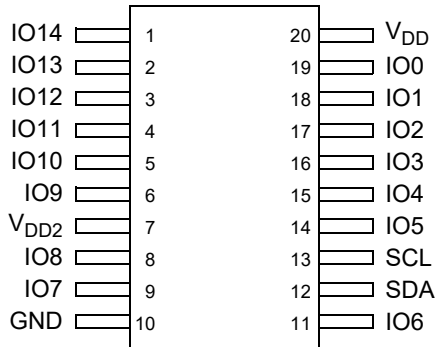
**Legend:**

- ACMPx+:** ACMPx Positive Input
- ACMPx-:** ACMPx Negative Input
- SCL:** I<sup>2</sup>C Clock Input
- SDA:** I<sup>2</sup>C Data Input/Output
- Vrefx:** Voltage Reference Output
- SLA:** Slave Address



## GreenPAK Programmable Mixed-Signal Matrix with In System Programmability

### 2.2 PIN CONFIGURATION - TSSOP-20L



**TSSOP-20  
(Top View)**

| Pin # | Signal Name | Pin Functions        |
|-------|-------------|----------------------|
| 1     | IO14        | GPIO                 |
| 2     | IO13        | GPIO                 |
| 3     | IO12        | GPIO or ACMP0L_IN    |
| 4     | IO11        | GPIO or ACMP1L_IN    |
| 5     | IO10        | GPIO                 |
| 6     | IO9         | GPIO or Vref_OUT1    |
| 7     | VDD2        | Power Supply         |
| 8     | IO8         | GPIO                 |
| 9     | IO7         | GPO                  |
| 10    | GND         | Ground               |
| 11    | IO6         | GPO                  |
| 12    | SDA         | I <sup>2</sup> C_SDA |
| 13    | SCL         | I <sup>2</sup> C_SCL |
| 14    | IO5         | GPIO, SLA_3          |
| 15    | IO4         | GPIO, SLA_2          |
| 16    | IO3         | GPIO, SLA_1          |
| 17    | IO2         | GPIO, SLA_0]         |
| 18    | IO1         | GPIO or Vref IN      |
| 19    | IO0         | GPIO                 |
| 20    | VDD         | Power Supply         |

**Legend:**

- ACMPx+:** ACMPx Positive Input
- ACMPx-:** ACMPx Negative Input
- SCL:** I<sup>2</sup>C Clock Input
- SDA:** I<sup>2</sup>C Data Input/Output
- Vrefx:** Voltage Reference Output
- SLA:** Slave Address

**Table 1: Functional Pin Description**

| Pin No.   |           | Pin Name        | Signal Name               | Function                           | Input Options                         | Output Options            |
|-----------|-----------|-----------------|---------------------------|------------------------------------|---------------------------------------|---------------------------|
| STQFN 20L | TSSOP 20L |                 |                           |                                    |                                       |                           |
| 1         | 20        | V <sub>DD</sub> | VDD                       | Power Supply                       | --                                    | --                        |
|           |           |                 | ACMP0L+                   | Analog Comparator 0 Positive Input | Analog                                | --                        |
|           |           |                 | ACMP1L+                   | Analog Comparator 1 Positive Input | Analog                                | --                        |
| 2         | 19        | IO0             | IO0                       | General Purpose IO                 | Digital Input without Schmitt Trigger | Push-Pull (1x) (2x)       |
|           |           |                 |                           |                                    | Digital Input with Schmitt Trigger    | Open-Drain NMOS (1x) (2x) |
|           |           |                 |                           |                                    | Low Voltage Digital Input             | --                        |
|           |           |                 | I <sup>2</sup> C_EXPAND_0 | --                                 | --                                    |                           |
|           |           |                 | EXT_OSC0_IN               | External Clock Connection          | --                                    | --                        |

## GreenPAK Programmable Mixed-Signal Matrix with In System Programmability

**Table 1: Functional Pin Description(Continued)**

| Pin No.   |           | Pin Name | Signal Name               | Function                                     | Input Options                         | Output Options                     |
|-----------|-----------|----------|---------------------------|--|---------------------------------------|------------------------------------|
| STQFN 20L | TSSOP 20L |          |                           |  |                                       |                                    |
| 3         | 18        | IO1      | IO1                       | General Purpose IO with OE ( <b>Note 1</b> ) | Digital Input without Schmitt Trigger | Push-Pull (1x) (2x)                |
|           |           |          |                           |  | Digital Input with Schmitt Trigger    | Open-Drain NMOS (1x) (2x)          |
|           |           |          | EXT_Vref                  | Analog Comparator Negative Input             | Analog                                | --                                 |
| 4         | 17        | IO2      | IO2                       | General Purpose IO                           | Digital Input without Schmitt Trigger | Push-Pull (1x) (2x)                |
|           |           |          |                           |  | EXT_SLA_0                             | Digital Input with Schmitt Trigger |
|           |           |          | EXT_SLA_0                 | Low Voltage Digital Input                    | --                                    |                                    |
| 5         | 16        | IO3      | IO3                       | General Purpose IO                           | Digital Input without Schmitt Trigger | Push-Pull (1x) (2x)                |
|           |           |          |                           |  | EXT_SLA_1                             | Digital Input with Schmitt Trigger |
|           |           |          | EXT_SLA_1                 | Low Voltage Digital Input                    | --                                    |                                    |
| 6         | 15        | IO4      | IO4                       | General Purpose IO with OE ( <b>Note 1</b> ) | Digital Input without Schmitt Trigger | Push-Pull (1x) (2x)                |
|           |           |          |                           |  | EXT_SLA_2                             | Digital Input with Schmitt Trigger |
|           |           |          | EXT_SLA_2                 | Low Voltage Digital Input                    | --                                    |                                    |
| 7         | 14        | IO5      | IO5                       | General Purpose IO with OE ( <b>Note 1</b> ) | Digital Input without Schmitt Trigger | Push-Pull (1x) (2x)                |
|           |           |          |                           |  | EXT_SLA_3                             | Digital Input with Schmitt Trigger |
|           |           |          | I <sup>2</sup> C_EXPAND_1 | --   | --                                    | --                                 |
| 8         | 13        | SCL      | SCL                       | I <sup>2</sup> C Serial Clock                | Digital Input without Schmitt Trigger | --                                 |
|           |           |          |                           |  | Low Voltage Digital Input             | --                                 |
| 9         | 12        | SDA      | SDA                       | I <sup>2</sup> C Serial Data                 | Digital Input without Schmitt Trigger | --                                 |
|           |           |          |                           |  | Low Voltage Digital Input             | --                                 |
| 10        | 11        | IO6      | IO6                       | General Purpose Output                       | --                                    | Push-Pull (1x) (2x)                |
|           |           |          |                           |  | --                                    | Open-Drain NMOS (1x) (2x)          |
|           |           |          | I <sup>2</sup> C_EXPAND_2 | --   | --                                    | --                                 |
| 11        | 10        | GND      | GND                       | Ground                                       | --                                    | --                                 |
| 12        | 9         | IO7      | IO7                       | General Purpose Output                       | --                                    | Push-Pull (1x) (2x)                |
|           |           |          |                           |  | --                                    | Open-Drain NMOS (1x) (2x)          |
|           |           |          | --                        | --   | --                                    |                                    |

## GreenPAK Programmable Mixed-Signal Matrix with In System Programmability

**Table 1: Functional Pin Description(Continued)**

| Pin No.   |           | Pin Name         | Signal Name               | Function                                     | Input Options                         | Output Options            |
|-----------|-----------|------------------|---------------------------|--|---------------------------------------|---------------------------|
| STQFN 20L | TSSOP 20L |                  |                           |  |                                       |                           |
| 13        | 8         | IO8              | IO8                       | General Purpose IO with OE ( <b>Note 1</b> ) | Digital Input without Schmitt Trigger | Push-Pull (1x) (2x)       |
|           |           |                  |                           |  | Digital Input with Schmitt Trigger    | Open-Drain NMOS (1x) (2x) |
|           |           |                  |                           |  | Low Voltage Digital Input             | --                        |
|           |           |                  | EXT_OSC2_IN               | --   | --                                    | --                        |
| 14        | 7         | V <sub>DD2</sub> | V <sub>DD2</sub>          | Power Supply                                 | --                                    | --                        |
| 15        | 6         | IO9              | IO9                       | General Purpose IO with OE ( <b>Note 1</b> ) | Digital Input without Schmitt Trigger | Push-Pull (1x) (2x)       |
|           |           |                  |                           |  | Digital Input with Schmitt Trigger    | Open-Drain NMOS (1x) (2x) |
|           |           |                  |                           |  | Low Voltage Digital Input             | --                        |
|           |           |                  | V <sub>ref_OUT</sub>      | Voltage Reference 1 Output                   | --                                    | Analog                    |
|           |           |                  | I <sup>2</sup> C_EXPAND_3 | --   | --                                    | --                        |
| 16        | 5         | IO10             | IO10                      | General Purpose IO with OE ( <b>Note 1</b> ) | Digital Input without Schmitt Trigger | Push-Pull (1x) (2x)       |
|           |           |                  |                           |  | Digital Input with Schmitt Trigger    | Open-Drain NMOS (1x) (2x) |
|           |           |                  |                           |  | Low Voltage Digital Input             | --                        |
|           |           |                  | EXT_OSC1_IN               | --   | --                                    | --                        |
| 17        | 4         | IO11             | IO11                      | General Purpose IO with OE ( <b>Note 1</b> ) | Digital Input without Schmitt Trigger | Push-Pull (1x) (2x)       |
|           |           |                  |                           |  | Digital Input with Schmitt Trigger    | Open-Drain NMOS (1x) (2x) |
|           |           |                  |                           |  | Low Voltage Digital Input             | --                        |
|           |           |                  | Slave Address 0           | --   | --                                    | --                        |
|           |           |                  | ACMP1L+                   | Analog Comparator 3 Positive Input           | Analog                                | --                        |
| 18        | 3         | IO12             | IO12                      | General Purpose IO with OE ( <b>Note 1</b> ) | Digital Input without Schmitt Trigger | Push-Pull (1x) (2x)       |
|           |           |                  |                           |  | Digital Input with Schmitt Trigger    | Open-Drain NMOS (1x) (2x) |
|           |           |                  |                           |  | Low Voltage Digital Input             | --                        |
|           |           |                  | Slave Address 1           | --   | --                                    | --                        |
|           |           |                  | ACMP0L+                   | Analog Comparator 2 Positive Input           | Analog                                | --                        |
| 19        | 2         | IO13             | IO13                      | General Purpose IO with OE ( <b>Note 1</b> ) | Digital Input without Schmitt Trigger | Push-Pull (1x) (2x)       |
|           |           |                  |                           |  | Digital Input with Schmitt Trigger    | Open-Drain NMOS (1x) (2x) |
|           |           |                  |                           |  | Low Voltage Digital Input             | --                        |
|           |           |                  | Slave Address 2           | --   | --                                    | --                        |

## GreenPAK Programmable Mixed-Signal Matrix with In System Programmability

**Table 1: Functional Pin Description(Continued)**

| Pin No.   |           | Pin Name        | Signal Name | Function                                     | Input Options                         | Output Options            |
|-----------|-----------|-----------------|-------------|--|---------------------------------------|---------------------------|
| STQFN 20L | TSSOP 20L |                 |             |  |                                       |                           |
| 20        | 1         | IO14            | IO14        | General Purpose IO with OE ( <b>Note 1</b> ) | Digital Input without Schmitt Trigger | Push-Pull (1x) (2x)       |
|           | 1         |                 |             |  | Digital Input with Schmitt Trigger    | Open-Drain NMOS (1x) (2x) |
|           |           |                 |             |  | Low Voltage Digital Input             | --                        |
|           |           | Slave Address 3 | --          | --   | --                                    |                           |

**Note 1** General Purpose IO's with OE can be used to implement bidirectional signals under user control via Connection Matrix to OE signal in IO structure.

**Table 2: Pin Type Definitions**

| Pin Type         | Description                   |
|------------------|-------------------------------|
| V <sub>DD</sub>  | Power Supply                  |
| IO               | Input/Output                  |
| SCL              | I <sup>2</sup> C Serial Clock |
| SDA              | I <sup>2</sup> C Serial Data  |
| GND              | Ground                        |
| V <sub>DD2</sub> | Power Supply 2                |

## GreenPAK Programmable Mixed-Signal Matrix with In System Programmability

### 3 Characteristics

#### 3.1 ABSOLUTE MAXIMUM RATINGS

Stresses beyond those listed under Absolute Maximum Ratings may cause permanent damage to the device. These are stress ratings only, so functional operation of the device at these or any other conditions beyond those indicated in the operational sections of the specification are not implied. Exposure to Absolute Maximum Rating conditions for extended periods may affect device reliability.

**Table 3: Absolute Maximum Ratings**

| Parameter   | Min          | Max              | Unit |
|---|--------------|------------------|------|
| Supply Voltage on $V_{DD}$ relative to GND                                    | -0.3         | 7                | V    |
| DC Input Voltage  | GND - 0.5 V  | $V_{DD} + 0.5 V$ | V    |
| Maximum Average or DC Current Through $V_{DD}$ Pin                            | --           | 90               | mA   |
| Maximum Average or DC Current Through $V_{DD2}$ Pin                           | --           | 90               | mA   |
| Maximum Average or DC Current Through GND Pin (Per chip side, <b>Note 1</b> ) | --           | 100              | mA   |
| Maximum Average or DC Current (Through pin)                                   | Push-Pull 1x | 15.3             | mA   |
|   | Push-Pull 2x | 22.1             |      |
|   | OD 1x        | 15.5             |      |
|   | OD 2x        | 23               |      |
| Current at Input Pin  | -1.0         | 1.0              | mA   |
| Input leakage (Absolute Value)  | --           | 1000             | nA   |
| Storage Temperature Range   | -65          | 150              | °C   |
| Junction Temperature  | --           | 150              | °C   |
| Moisture Sensitivity Level  |              | 1                |      |

**Note 1** The GreenPAK's GND rail is divided in two sides. IOs 0 to 6, SCL, SDA are connected to one side and IOs 7 to 14 are connected to another side.

#### 3.2 ELECTROSTATIC DISCHARGE RATINGS

**Table 4: Electrostatic Discharge Ratings**

| Parameter                             | Min  | Max | Unit |
|---------------------------------------|------|-----|------|
| ESD Protection (Human Body Model)     | 2000 | --  | V    |
| ESD Protection (Charged Device Model) | 1300 | --  | V    |

#### 3.3 RECOMMENDED OPERATING CONDITIONS

**Table 5: Recommended Operating Conditions**

| Parameter  | Condition                              | Min  | Max            | Unit |
|--|--|------|----------------|------|
| Supply Voltage ( $V_{DD}$ )                                |  | 2.3  | 5.5            | V    |
|  | During NVM Write and Erase commands    | 2.5  | 5.5            | V    |
| Supply Voltage 2 ( $V_{DD2}$ )                             | $V_{DD2} \leq V_{DD}$                  | 1.71 | 5.5            | V    |
| Operating Temperature                                      |  | -40  | 85             | °C   |
| Maximal Voltage Applied to any PIN in High Impedance State |  | --   | $V_{DD} + 0.3$ | V    |
| Capacitor Value at $V_{DD}$                                |  | 0.1  | --             | μF   |
| Analog Input Common Mode Range                             | Allowable Input Voltage at Analog Pins | 0    | $V_{DD}$       | V    |

## GreenPAK Programmable Mixed-Signal Matrix with In System Programmability

### 3.4 ELECTRICAL CHARACTERISTICS

Table 6: EC at T = -40 °C to +85 °C, V<sub>DD</sub> = 2.3 V to 5.5 V Unless Otherwise Noted

| Parameter        | Description  | Condition  | Min                                 | Typ  | Max                                  | Unit |
|------------------|--|--|-------------------------------------|------|--------------------------------------|------|
| V <sub>IH</sub>  | HIGH-Level Input Voltage                                   | Logic Input (Note 2)   | 0.7x<br>V <sub>DD</sub><br>(Note 1) | --   | V <sub>DD</sub> +<br>0.3<br>(Note 1) | V    |
|                  |  | Logic Input with Schmitt Trigger   | 0.8x<br>V <sub>DD</sub><br>(Note 1) | --   | V <sub>DD</sub> +<br>0.3<br>(Note 1) | V    |
|                  |  | Low-Level Logic Input (Note 2)   | 1.25                                | --   | V <sub>DD</sub> +<br>0.3<br>(Note 1) | V    |
| V <sub>IL</sub>  | LOW-Level Input Voltage                                    | Logic Input (Note 2)   | GND-<br>0.3                         | --   | 0.3x<br>V <sub>DD</sub><br>(Note 1)  | V    |
|                  |  | Logic Input with Schmitt Trigger   | GND-<br>0.3                         | --   | 0.2x<br>V <sub>DD</sub><br>(Note 1)  | V    |
|                  |  | Low-Level Logic Input (Note 2)   | GND-<br>0.3                         | --   | 0.5                                  | V    |
| V <sub>HYS</sub> | Schmitt Trigger Hysteresis Voltage                         | V <sub>DD2</sub> = 1.8 V ± 5 %   | 0.1                                 | 0.4  | 0.7                                  | V    |
|                  |  | V <sub>DD</sub> = 2.5 V ± 8 % (Note 1)   | 0.29                                | 0.41 | 0.56                                 | V    |
|                  |  | V <sub>DD</sub> = 3.3 V ± 10 % (Note 1)  | 0.33                                | 0.45 | 0.57                                 | V    |
|                  |  | V <sub>DD</sub> = 5 V ± 10 % (Note 1)  | 0.42                                | 0.57 | 0.74                                 | V    |
| V <sub>O</sub>   | Maximal Voltage Applied to any PIN in High Impedance State |  | --                                  | --   | V <sub>DD</sub> +<br>0.3<br>(Note 1) | V    |
| V <sub>OH</sub>  | HIGH-Level Output Voltage                                  | Push-Pull, 1x Drive, I <sub>OH</sub> = 1 mA, V <sub>DD</sub> = V <sub>DD2</sub> = 2.3 V (Note 1) | 2.178                               | --   | --                                   | V    |
|                  |  | Push-Pull, 1x Drive, I <sub>OH</sub> = 1 mA, V <sub>DD</sub> = V <sub>DD2</sub> = 2.5 V (Note 1) | 2.389                               | --   | --                                   | V    |
|                  |  | Push-Pull, 1x Drive, I <sub>OH</sub> = 1 mA, V <sub>DD</sub> = V <sub>DD2</sub> = 2.7 V (Note 1) | 2.598                               | --   | --                                   | V    |
|                  |  | Push-Pull, 1x Drive, I <sub>OH</sub> = 3 mA, V <sub>DD</sub> = V <sub>DD2</sub> = 3.0 V (Note 1) | 2.712                               | --   | --                                   | V    |
|                  |  | Push-Pull, 1x Drive, I <sub>OH</sub> = 3 mA, V <sub>DD</sub> = V <sub>DD2</sub> = 3.3 V (Note 1) | 3.039                               | --   | --                                   | V    |
|                  |  | Push-Pull, 1x Drive, I <sub>OH</sub> = 3 mA, V <sub>DD</sub> = V <sub>DD2</sub> = 3.6 V (Note 1) | 3.36                                | --   | --                                   | V    |
|                  |  | Push-Pull, 1x Drive, I <sub>OH</sub> = 5 mA, V <sub>DD</sub> = V <sub>DD2</sub> = 4.5 V (Note 1) | 4.157                               | --   | --                                   | V    |
|                  |  | Push-Pull, 1x Drive, I <sub>OH</sub> = 5 mA, V <sub>DD</sub> = V <sub>DD2</sub> = 5.0 V (Note 1) | 4.678                               | --   | --                                   | V    |
|                  |  | Push-Pull, 1x Drive, I <sub>OH</sub> = 5 mA, V <sub>DD</sub> = V <sub>DD2</sub> = 5.5 V (Note 1) | 5.201                               | --   | --                                   | V    |
|                  |  | Push-Pull, 2x Drive, I <sub>OH</sub> = 1 mA, V <sub>DD</sub> = V <sub>DD2</sub> = 2.3 V (Note 1) | 2.239                               | --   | --                                   | V    |
|                  |  | Push-Pull, 2x Drive, I <sub>OH</sub> = 1 mA, V <sub>DD</sub> = V <sub>DD2</sub> = 2.5 V (Note 1) | 2.443                               | --   | --                                   | V    |
|                  |  | Push-Pull, 2x Drive, I <sub>OH</sub> = 1 mA, V <sub>DD</sub> = V <sub>DD2</sub> = 2.7 V (Note 1) | 2.648                               | --   | --                                   | V    |
|                  |  | Push-Pull, 2x Drive, I <sub>OH</sub> = 3 mA, V <sub>DD</sub> = V <sub>DD2</sub> = 3.0 V (Note 1) | 2.854                               | --   | --                                   | V    |

## GreenPAK Programmable Mixed-Signal Matrix with In System Programmability

Table 6: EC at T = -40 °C to +85 °C, V<sub>DD</sub> = 2.3 V to 5.5 V Unless Otherwise Noted(Continued)

| Parameter       | Description               | Condition  | Min   | Typ | Max   | Unit |
|-----------------|---------------------------|--|-------|-----|-------|------|
| V <sub>OH</sub> | HIGH-Level Output Voltage | Push-Pull, 2x Drive, I <sub>OH</sub> = 3 mA, V <sub>DD</sub> = V <sub>DD2</sub> = 3.3 V (Note 1) | 3.165 | --  | --    | V    |
|                 |                           | Push-Pull, 2x Drive, I <sub>OH</sub> = 3 mA, V <sub>DD</sub> = V <sub>DD2</sub> = 3.6 V (Note 1) | 3.474 | --  | --    | V    |
|                 |                           | Push-Pull, 2x Drive, I <sub>OH</sub> = 5 mA, V <sub>DD</sub> = V <sub>DD2</sub> = 4.5 V (Note 1) | 4.314 | --  | --    | V    |
|                 |                           | Push-Pull, 2x Drive, I <sub>OH</sub> = 5 mA, V <sub>DD</sub> = V <sub>DD2</sub> = 5.0 V (Note 1) | 4.821 | --  | --    | V    |
|                 |                           | Push-Pull, 2x Drive, I <sub>OH</sub> = 5 mA, V <sub>DD</sub> = V <sub>DD2</sub> = 5.5 V (Note 1) | 5.329 | --  | --    | V    |
| V <sub>OL</sub> | LOW-Level Output Voltage  | Push-Pull, 1x Drive, I <sub>OL</sub> = 1 mA, V <sub>DD</sub> = V <sub>DD2</sub> = 2.3 V (Note 1) | --    | --  | 0.085 | V    |
|                 |                           | Push-Pull, 1x Drive, I <sub>OL</sub> = 1 mA, V <sub>DD</sub> = V <sub>DD2</sub> = 2.5 V (Note 1) | --    | --  | 0.079 | V    |
|                 |                           | Push-Pull, 1x Drive, I <sub>OL</sub> = 1 mA, V <sub>DD</sub> = V <sub>DD2</sub> = 2.7 V (Note 1) | --    | --  | 0.074 | V    |
|                 |                           | Push-Pull, 1x Drive, I <sub>OL</sub> = 3 mA, V <sub>DD</sub> = V <sub>DD2</sub> = 3.0 V (Note 1) | --    | --  | 0.210 | V    |
|                 |                           | Push-Pull, 1x Drive, I <sub>OL</sub> = 3 mA, V <sub>DD</sub> = V <sub>DD2</sub> = 3.3 V (Note 1) | --    | --  | 0.195 | V    |
|                 |                           | Push-Pull, 1x Drive, I <sub>OL</sub> = 3 mA, V <sub>DD</sub> = V <sub>DD2</sub> = 3.6 V (Note 1) | --    | --  | 0.183 | V    |
|                 |                           | Push-Pull, 1x Drive, I <sub>OL</sub> = 5 mA, V <sub>DD</sub> = V <sub>DD2</sub> = 4.5 V (Note 1) | --    | --  | 0.271 | V    |
|                 |                           | Push-Pull, 1x Drive, I <sub>OL</sub> = 5 mA, V <sub>DD</sub> = V <sub>DD2</sub> = 5.0 V (Note 1) | --    | --  | 0.256 | V    |
|                 |                           | Push-Pull, 1x Drive, I <sub>OL</sub> = 5 mA, V <sub>DD</sub> = V <sub>DD2</sub> = 5.5 V (Note 1) | --    | --  | 0.246 | V    |
|                 |                           | Push-Pull, 2x Drive, I <sub>OL</sub> = 1 mA, V <sub>DD</sub> = V <sub>DD2</sub> = 2.3 V (Note 1) | --    | --  | 0.046 | V    |
|                 |                           | Push-Pull, 2x Drive, I <sub>OL</sub> = 1 mA, V <sub>DD</sub> = V <sub>DD2</sub> = 2.5 V (Note 1) | --    | --  | 0.043 | V    |
|                 |                           | Push-Pull, 2x Drive, I <sub>OL</sub> = 1 mA, V <sub>DD</sub> = V <sub>DD2</sub> = 2.7 V (Note 1) | --    | --  | 0.040 | V    |
|                 |                           | Push-Pull, 2x Drive, I <sub>OL</sub> = 3 mA, V <sub>DD</sub> = V <sub>DD2</sub> = 3.0 V (Note 1) | --    | --  | 0.114 | V    |
|                 |                           | Push-Pull, 2x Drive, I <sub>OL</sub> = 3 mA, V <sub>DD</sub> = V <sub>DD2</sub> = 3.3 V (Note 1) | --    | --  | 0.107 | V    |
|                 |                           | Push-Pull, 2x Drive, I <sub>OL</sub> = 3 mA, V <sub>DD</sub> = V <sub>DD2</sub> = 3.6 V (Note 1) | --    | --  | 0.102 | V    |
|                 |                           | Push-Pull, 2x Drive, I <sub>OL</sub> = 5 mA, V <sub>DD</sub> = V <sub>DD2</sub> = 4.5 V (Note 1) | --    | --  | 0.152 | V    |
|                 |                           | Push-Pull, 2x Drive, I <sub>OL</sub> = 5 mA, V <sub>DD</sub> = V <sub>DD2</sub> = 5.0 V (Note 1) | --    | --  | 0.145 | V    |
|                 |                           | Push-Pull, 2x Drive, I <sub>OL</sub> = 5 mA, V <sub>DD</sub> = V <sub>DD2</sub> = 5.5 V (Note 1) | --    | --  | 0.140 | V    |
|                 |                           | NMOS OD, 1x Drive, I <sub>OL</sub> = 1 mA, V <sub>DD</sub> = V <sub>DD2</sub> = 2.3 V (Note 1)   | --    | --  | 0.038 | V    |
|                 |                           | NMOS OD, 1x Drive, I <sub>OL</sub> = 1 mA, V <sub>DD</sub> = V <sub>DD2</sub> = 2.5 V (Note 1)   | --    | --  | 0.035 | V    |

## GreenPAK Programmable Mixed-Signal Matrix with In System Programmability

Table 6: EC at T = -40 °C to +85 °C, V<sub>DD</sub> = 2.3 V to 5.5 V Unless Otherwise Noted(Continued)

| Parameter   | Description              | Condition  | Min                       | Typ   | Max   | Unit |
|---|--------------------------|--|---------------------------|---|-------|------|
| V <sub>OL</sub>   | LOW-Level Output Voltage | NMOS OD, 1x Drive, I <sub>OL</sub> = 1 mA, V <sub>DD</sub> = V <sub>DD2</sub> = 2.7 V (Note 1) | --                        | --  | 0.033 | V    |
|   |                          | NMOS OD, 1x Drive, I <sub>OL</sub> = 3 mA, V <sub>DD</sub> = V <sub>DD2</sub> = 3.0 V (Note 1) | --                        | --  | 0.094 | V    |
|   |                          | NMOS OD, 1x Drive, I <sub>OL</sub> = 3 mA, V <sub>DD</sub> = V <sub>DD2</sub> = 3.3 V (Note 1) | --                        | --  | 0.088 | V    |
|   |                          | NMOS OD, 1x Drive, I <sub>OL</sub> = 3 mA, V <sub>DD</sub> = V <sub>DD2</sub> = 3.6 V (Note 1) | --                        | --  | 0.084 | V    |
|   |                          | NMOS OD, 1x Drive, I <sub>OL</sub> = 5 mA, V <sub>DD</sub> = V <sub>DD2</sub> = 4.5 V (Note 1) | --                        | --  | 0.127 | V    |
|   |                          | NMOS OD, 1x Drive, I <sub>OL</sub> = 5 mA, V <sub>DD</sub> = V <sub>DD2</sub> = 5.0 V (Note 1) | --                        | --  | 0.121 | V    |
|   |                          | NMOS OD, 1x Drive, I <sub>OL</sub> = 5 mA, V <sub>DD</sub> = V <sub>DD2</sub> = 5.5 V (Note 1) | --                        | --  | 0.117 | V    |
|   |                          | NMOS OD, 2x Drive, I <sub>OL</sub> = 1 mA, V <sub>DD</sub> = V <sub>DD2</sub> = 2.3 V (Note 1) | --                        | --  | 0.032 | V    |
|   |                          | NMOS OD, 2x Drive, I <sub>OL</sub> = 1 mA, V <sub>DD</sub> = V <sub>DD2</sub> = 2.5 V (Note 1) | --                        | --  | 0.03  | V    |
|   |                          | NMOS OD, 2x Drive, I <sub>OL</sub> = 1 mA, V <sub>DD</sub> = V <sub>DD2</sub> = 2.7 V (Note 1) | --                        | --  | 0.029 | V    |
|   |                          | NMOS OD, 2x Drive, I <sub>OL</sub> = 3 mA, V <sub>DD</sub> = V <sub>DD2</sub> = 3.0 V (Note 1) | --                        | --  | 0.064 | V    |
|   |                          | NMOS OD, 2x Drive, I <sub>OL</sub> = 3 mA, V <sub>DD</sub> = V <sub>DD2</sub> = 3.3 V (Note 1) | --                        | --  | 0.062 | V    |
|   |                          | NMOS OD, 2x Drive, I <sub>OL</sub> = 3 mA, V <sub>DD</sub> = V <sub>DD2</sub> = 3.6 V (Note 1) | --                        | --  | 0.059 | V    |
|   |                          | NMOS OD, 2x Drive, I <sub>OL</sub> = 5 mA, V <sub>DD</sub> = V <sub>DD2</sub> = 4.5 V (Note 1) | --                        | --  | 0.085 | V    |
|   |                          | NMOS OD, 2x Drive, I <sub>OL</sub> = 5 mA, V <sub>DD</sub> = V <sub>DD2</sub> = 5.0 V (Note 1) | --                        | --  | 0.081 | V    |
|   |                          | NMOS OD, 2x Drive, I <sub>OL</sub> = 5 mA, V <sub>DD</sub> = V <sub>DD2</sub> = 5.5 V (Note 1) | --                        | --  | 0.08  | V    |
|   |                          | I <sub>OH</sub>  | HIGH-Level Output Current | Push-Pull, 1x Drive, V <sub>OH</sub> = V <sub>DD</sub> - 0.2 = V <sub>DD2</sub> - 0.2 V <sub>DD</sub> = V <sub>DD2</sub> = 2.3 V (Note 1) | 1.60  | --   |
| Push-Pull, 1x Drive, V <sub>OH</sub> = V <sub>DD</sub> - 0.2 = V <sub>DD2</sub> - 0.2 V <sub>DD</sub> = V <sub>DD2</sub> = 2.5 V (Note 1) | 1.76                     |  |                           | --  | --    | mA   |
| Push-Pull, 1x Drive, V <sub>OH</sub> = V <sub>DD</sub> - 0.2 = V <sub>DD2</sub> - 0.2 V <sub>DD</sub> = V <sub>DD2</sub> = 2.7 V (Note 1) | 1.92                     |  |                           | --  | --    | mA   |
| Push-Pull, 1x Drive, V <sub>OH</sub> = 2.4 V, V <sub>DD</sub> = V <sub>DD2</sub> = 3.0 V (Note 1)   | 5.64                     |  |                           | --  | --    | mA   |



## GreenPAK Programmable Mixed-Signal Matrix with In System Programmability

Table 6: EC at T = -40 °C to +85 °C, V<sub>DD</sub> = 2.3 V to 5.5 V Unless Otherwise Noted(Continued)

| Parameter       | Description               | Condition   | Min   | Typ | Max | Unit |
|-----------------|---------------------------|---|-------|-----|-----|------|
| I <sub>OH</sub> | HIGH-Level Output Current | Push-Pull, 1x Drive,<br>V <sub>OH</sub> = 2.4 V, V <sub>DD</sub> = V <sub>DD2</sub> = 3.3 V (Note 1)  | 8.56  | --  | --  | mA   |
|                 |                           | Push-Pull, 1x Drive,<br>V <sub>OH</sub> = 2.4 V, V <sub>DD</sub> = V <sub>DD2</sub> = 3.6 V (Note 1)  | 11.51 | --  | --  | mA   |
|                 |                           | Push-Pull, 1x Drive,<br>V <sub>OH</sub> = 2.4 V, V <sub>DD</sub> = V <sub>DD2</sub> = 4.5 V (Note 1)  | 20.46 | --  | --  | mA   |
|                 |                           | Push-Pull, 1x Drive,<br>V <sub>OH</sub> = 2.4 V, V <sub>DD</sub> = V <sub>DD2</sub> = 5.0 V (Note 1)  | 25.12 | --  | --  | mA   |
|                 |                           | Push-Pull, 1x Drive,<br>V <sub>OH</sub> = 2.4 V, V <sub>DD</sub> = V <sub>DD2</sub> = 5.5 V (Note 1)  | 29.34 | --  | --  | mA   |
|                 |                           | Push-Pull, 2x Drive,<br>V <sub>OH</sub> = V <sub>DD</sub> - 0.2 = V <sub>DD2</sub> - 0.2<br>V <sub>DD</sub> = V <sub>DD2</sub> = 2.3 V (Note 1) | 3.10  | --  | --  | mA   |
|                 |                           | Push-Pull, 2x Drive,<br>V <sub>OH</sub> = V <sub>DD</sub> - 0.2 = V <sub>DD2</sub> - 0.2<br>V <sub>DD</sub> = V <sub>DD2</sub> = 2.5 V (Note 1) | 3.40  | --  | --  | mA   |
|                 |                           | Push-Pull, 2x Drive,<br>V <sub>OH</sub> = V <sub>DD</sub> - 0.2 = V <sub>DD2</sub> - 0.2<br>V <sub>DD</sub> = V <sub>DD2</sub> = 2.7 V (Note 1) | 3.69  | --  | --  | mA   |
|                 |                           | Push-Pull, 2x Drive,<br>V <sub>OH</sub> = 2.4 V, V <sub>DD</sub> = V <sub>DD2</sub> = 3.0 V (Note 1)  | 10.89 | --  | --  | mA   |
|                 |                           | Push-Pull, 2x Drive,<br>V <sub>OH</sub> = 2.4 V, V <sub>DD</sub> = V <sub>DD2</sub> = 3.3 V (Note 1)  | 16.54 | --  | --  | mA   |
|                 |                           | Push-Pull, 2x Drive,<br>V <sub>OH</sub> = 2.4 V, V <sub>DD</sub> = V <sub>DD2</sub> = 3.6 V (Note 1)  | 22.28 | --  | --  | mA   |
|                 |                           | Push-Pull, 2x Drive,<br>V <sub>OH</sub> = 2.4 V, V <sub>DD</sub> = V <sub>DD2</sub> = 4.5 V (Note 1)  | 39.61 | --  | --  | mA   |
|                 |                           | Push-Pull, 2x Drive,<br>V <sub>OH</sub> = 2.4 V, V <sub>DD</sub> = V <sub>DD2</sub> = 5.0 V (Note 1)  | 48.49 | --  | --  | mA   |
|                 |                           | Push-Pull, 2x Drive,<br>V <sub>OH</sub> = 2.4 V, V <sub>DD</sub> = V <sub>DD2</sub> = 5.5 V (Note 1)  | 56.39 | --  | --  | mA   |
| I <sub>OL</sub> | LOW-Level Output Current  | Push-Pull, 1x Drive, V <sub>OL</sub> = 0.15 V,<br>V <sub>DD</sub> = V <sub>DD2</sub> = 2.3 V (Note 1)   | 1.73  | --  | --  | mA   |
|                 |                           | Push-Pull, 1x Drive, V <sub>OL</sub> = 0.15 V,<br>V <sub>DD</sub> = V <sub>DD2</sub> = 2.5 V (Note 1)   | 1.87  | --  | --  | mA   |
|                 |                           | Push-Pull, 1x Drive, V <sub>OL</sub> = 0.15 V,<br>V <sub>DD</sub> = V <sub>DD2</sub> = 2.7 V (Note 1)   | 2.00  | --  | --  | mA   |
|                 |                           | Push-Pull, 1x Drive, V <sub>OL</sub> = 0.4 V,<br>V <sub>DD</sub> = V <sub>DD2</sub> = 3.0 V (Note 1)  | 5.45  | --  | --  | mA   |
|                 |                           | Push-Pull, 1x Drive, V <sub>OL</sub> = 0.4 V,<br>V <sub>DD</sub> = V <sub>DD2</sub> = 3.3 V (Note 1)  | 5.90  | --  | --  | mA   |
|                 |                           | Push-Pull, 1x Drive, V <sub>OL</sub> = 0.4 V,<br>V <sub>DD</sub> = V <sub>DD2</sub> = 3.6 V (Note 1)  | 6.29  | --  | --  | mA   |
|                 |                           | Push-Pull, 1x Drive, V <sub>OL</sub> = 0.4 V,<br>V <sub>DD</sub> = V <sub>DD2</sub> = 4.5 V (Note 1)  | 7.25  | --  | --  | mA   |
|                 |                           | Push-Pull, 1x Drive, V <sub>OL</sub> = 0.4 V,<br>V <sub>DD</sub> = V <sub>DD2</sub> = 5.0 V (Note 1)  | 7.67  | --  | --  | mA   |
|                 |                           | Push-Pull, 1x Drive, V <sub>OL</sub> = 0.4 V,<br>V <sub>DD</sub> = V <sub>DD2</sub> = 5.5 V (Note 1)  | 8.01  | --  | --  | mA   |

## GreenPAK Programmable Mixed-Signal Matrix with In System Programmability

Table 6: EC at T = -40 °C to +85 °C, V<sub>DD</sub> = 2.3 V to 5.5 V Unless Otherwise Noted(Continued)

| Parameter   | Description              | Condition  | Min   | Typ | Max | Unit |
|---|--------------------------|--|-------|-----|-----|------|
| I <sub>OL</sub>   | LOW-Level Output Current | Push-Pull, 2x Drive, V <sub>OL</sub> = 0.15 V, V <sub>DD</sub> = V <sub>DD2</sub> = 2.3 V (Note 1) | 3.20  | --  | --  | mA   |
|   |                          | Push-Pull, 2x Drive, V <sub>OL</sub> = 0.15 V, V <sub>DD</sub> = V <sub>DD2</sub> = 2.5 V (Note 1) | 3.44  | --  | --  | mA   |
|   |                          | Push-Pull, 2x Drive, V <sub>OL</sub> = 0.15 V, V <sub>DD</sub> = V <sub>DD2</sub> = 2.7 V (Note 1) | 3.65  | --  | --  | mA   |
|   |                          | Push-Pull, 2x Drive, V <sub>OL</sub> = 0.4 V, V <sub>DD</sub> = V <sub>DD2</sub> = 3.0 V (Note 1)  | 10.01 | --  | --  | mA   |
|   |                          | Push-Pull, 2x Drive, V <sub>OL</sub> = 0.4 V, V <sub>DD</sub> = V <sub>DD2</sub> = 3.3 V (Note 1)  | 10.73 | --  | --  | mA   |
|   |                          | Push-Pull, 2x Drive, V <sub>OL</sub> = 0.4 V, V <sub>DD</sub> = V <sub>DD2</sub> = 3.6 V (Note 1)  | 11.36 | --  | --  | mA   |
|   |                          | Push-Pull, 2x Drive, V <sub>OL</sub> = 0.4 V, V <sub>DD</sub> = V <sub>DD2</sub> = 4.5 V (Note 1)  | 12.85 | --  | --  | mA   |
|   |                          | Push-Pull, 2x Drive, V <sub>OL</sub> = 0.4 V, V <sub>DD</sub> = V <sub>DD2</sub> = 5.0 V (Note 1)  | 13.52 | --  | --  | mA   |
|   |                          | Push-Pull, 2x Drive, V <sub>OL</sub> = 0.4 V, V <sub>DD</sub> = V <sub>DD2</sub> = 5.5 V (Note 1)  | 14.05 | --  | --  | mA   |
|   |                          | NMOS OD, 1x Drive, V <sub>OL</sub> = 0.15 V, V <sub>DD</sub> = V <sub>DD2</sub> = 2.3 V (Note 1)   | 3.91  | --  | --  | mA   |
|   |                          | NMOS OD, 1x Drive, V <sub>OL</sub> = 0.15 V, V <sub>DD</sub> = V <sub>DD2</sub> = 2.5 V (Note 1)   | 4.19  | --  | --  | mA   |
|   |                          | NMOS OD, 1x Drive, V <sub>OL</sub> = 0.15 V, V <sub>DD</sub> = V <sub>DD2</sub> = 2.7 V (Note 1)   | 4.44  | --  | --  | mA   |
|   |                          | NMOS OD, 1x Drive, V <sub>OL</sub> = 0.4 V, V <sub>DD</sub> = V <sub>DD2</sub> = 3.0 V (Note 1)    | 12.18 | --  | --  | mA   |
|   |                          | NMOS OD, 1x Drive, V <sub>OL</sub> = 0.4 V, V <sub>DD</sub> = V <sub>DD2</sub> = 3.3 V (Note 1)    | 13.02 | --  | --  | mA   |
|   |                          | NMOS OD, 1x Drive, V <sub>OL</sub> = 0.4 V, V <sub>DD</sub> = V <sub>DD2</sub> = 3.6 V (Note 1)    | 13.75 | --  | --  | mA   |
|   |                          | NMOS OD, 1x Drive, V <sub>OL</sub> = 0.4 V, V <sub>DD</sub> = V <sub>DD2</sub> = 4.5 V (Note 1)    | 15.47 | --  | --  | mA   |
|   |                          | NMOS OD, 1x Drive, V <sub>OL</sub> = 0.4 V, V <sub>DD</sub> = V <sub>DD2</sub> = 5.0 V (Note 1)    | 16.19 | --  | --  | mA   |
|   |                          | NMOS OD, 1x Drive, V <sub>OL</sub> = 0.4 V, V <sub>DD</sub> = V <sub>DD2</sub> = 5.5 V (Note 1)    | 16.80 | --  | --  | mA   |
|   |                          | NMOS OD, 2x Drive, V <sub>OL</sub> = 0.15 V, V <sub>DD</sub> = V <sub>DD2</sub> = 2.3 V (Note 1)   | 6.28  | --  | --  | mA   |
|   |                          | NMOS OD, 2x Drive, V <sub>OL</sub> = 0.15 V, V <sub>DD</sub> = V <sub>DD2</sub> = 2.5 V (Note 1)   | 6.68  | --  | --  | mA   |
|   |                          | NMOS OD, 2x Drive, V <sub>OL</sub> = 0.15 V, V <sub>DD</sub> = V <sub>DD2</sub> = 2.7 V (Note 1)   | 7.02  | --  | --  | mA   |
|   |                          | NMOS OD, 2x Drive, V <sub>OL</sub> = 0.4 V, V <sub>DD</sub> = V <sub>DD2</sub> = 3.0 V (Note 1)    | 20.14 | --  | --  | mA   |
|   |                          | NMOS OD, 2x Drive, V <sub>OL</sub> = 0.4 V, V <sub>DD</sub> = V <sub>DD2</sub> = 3.3 V (Note 1)    | 21.23 | --  | --  | mA   |
| NMOS OD, 2x Drive, V <sub>OL</sub> = 0.4 V, V <sub>DD</sub> = V <sub>DD2</sub> = 3.6 V (Note 1) | 22.12                    | --   | --    | mA  |     |      |
| NMOS OD, 2x Drive, V <sub>OL</sub> = 0.4 V, V <sub>DD</sub> = V <sub>DD2</sub> = 4.5 V (Note 1) | 24.84                    | --   | --    | mA  |     |      |

## GreenPAK Programmable Mixed-Signal Matrix with In System Programmability

**Table 6: EC at T = -40 °C to +85 °C, V<sub>DD</sub> = 2.3 V to 5.5 V Unless Otherwise Noted(Continued)**

| Parameter           | Description                     | Condition   | Min   | Typ  | Max   | Unit |
|---------------------|---------------------------------|---|-------|------|-------|------|
| I <sub>OL</sub>     | LOW-Level Output Current        | NMOS OD, 2x Drive, V <sub>OL</sub> = 0.4 V, V <sub>DD</sub> = V <sub>DD2</sub> = 5.0 V (Note 1)     | 26.08 | --   | --    | mA   |
|                     |                                 | NMOS OD, 2x Drive, V <sub>OL</sub> = 0.4 V, V <sub>DD</sub> = V <sub>DD2</sub> = 5.5 V (Note 1)     | 26.72 | --   | --    | mA   |
| T <sub>SU</sub>     | Startup Time                    | From V <sub>DD</sub> rising past PON <sub>THR</sub>   | --    | 1.66 | 2.59  | ms   |
| T <sub>WR</sub>     | NVM Page Write Time             | V <sub>DD</sub> = 2.5 V to 5.5 V  | --    | --   | 20    | ms   |
| T <sub>ER</sub>     | NVM Page Erase Time             | V <sub>DD</sub> = 2.5 V to 5.5 V  | --    | --   | 20    | ms   |
| PON <sub>THR</sub>  | Power-On Threshold              | V <sub>DD</sub> Level Required to Start Up the Chip   | 1.60  | 1.85 | 2.07  | V    |
| POFF <sub>THR</sub> | Power-Off Threshold             | V <sub>DD</sub> Level Required to Switch Off the Chip   | 0.97  | 1.23 | 1.46  | V    |
| R <sub>PULL</sub>   | Pull-up or Pull-down Resistance | 1 M for Pull-up: V <sub>IN</sub> = GND; for Pull-down: V <sub>IN</sub> = V <sub>DD</sub> (Note 1)   | 0.72  | 1.12 | 1.4   | MΩ   |
|                     |                                 | 100 k for Pull-up: V <sub>IN</sub> = GND; for Pull-down: V <sub>IN</sub> = V <sub>DD</sub> (Note 1) | 72    | 110  | 134.4 | kΩ   |
|                     |                                 | 10 k For Pull-up: V <sub>IN</sub> = GND; for Pull-down: V <sub>IN</sub> = V <sub>DD</sub> (Note 1)  | 6.32  | 10   | 13.5  | kΩ   |
| C <sub>IN</sub>     | Input Capacitance               |   |       | 4    |       | pF   |

**Note 1** The GreenPAK's power rails are divided in two sides. IOs 0 to 6, SCL, SDA are powered from V<sub>DD</sub> (one side) and IOs 7 to 14 are powered from V<sub>DD2</sub> (another side).

**Note 2** No hysteresis.

**Table 7: EC of the I<sup>2</sup>C Pins at T = -40 °C to +85 °C, V<sub>DD</sub> = 2.3 V to 5.5 V Unless Otherwise Noted**

| Parameter        | Description   | Condition  | Fast-Mode                   |                     | Fast-Mode Plus              |                     | Unit |
|------------------|---|--|-----------------------------|---------------------|-----------------------------|---------------------|------|
|                  |   |  | Min                         | Max                 | Min                         | Max                 |      |
| V <sub>IL</sub>  | LOW-level Input Voltage   |  | -0.5                        | 0.3xV <sub>DD</sub> | -0.5                        | 0.3xV <sub>DD</sub> | V    |
| V <sub>IH</sub>  | HIGH-level Input Voltage  |  | 0.7xV <sub>DD</sub>         | 5.5                 | 0.7xV <sub>DD</sub>         | 5.5                 | V    |
| V <sub>HYS</sub> | Hysteresis of Schmitt Trigger Inputs                                    |  | 0.05xV <sub>DD</sub>        | --                  | 0.05xV <sub>DD</sub>        | --                  | V    |
| V <sub>OL1</sub> | LOW-Level Output Voltage 1  | (Open-Drain) at 3mA sink current<br>V <sub>DD</sub> > 2 V  | 0                           | 0.4                 | 0                           | 0.4                 | V    |
| V <sub>OL2</sub> | LOW-Level Output Voltage 2  | (Open-Drain) at 2 mA sink current<br>V <sub>DD</sub> ≤ 2 V | 0                           | 0.2xV <sub>DD</sub> | 0                           | 0.2xV <sub>DD</sub> | V    |
| I <sub>OL</sub>  | LOW-Level Output Current (Note 1)                                       | V <sub>OL</sub> = 0.4 V, V <sub>DD</sub> = 2.3 V           | 3                           | --                  | 16.75                       | --                  | mA   |
|                  |   | V <sub>OL</sub> = 0.4 V, V <sub>DD</sub> = 3.0 V           | 3                           | --                  | 20                          | --                  | mA   |
|                  |   | V <sub>OL</sub> = 0.4 V, V <sub>DD</sub> = 4.5 V           | 3                           | --                  | 20                          | --                  | mA   |
|                  |   | V <sub>OL</sub> = 0.6 V                                    | 6                           | --                  | --                          | --                  | mA   |
| t <sub>of</sub>  | Output Fall Time from V <sub>IHmin</sub> to V <sub>ILmax</sub> (Note 1) |  | 14x (V <sub>DD</sub> /5.5V) | 250                 | 10x (V <sub>DD</sub> /5.5V) | 120                 | ns   |

## GreenPAK Programmable Mixed-Signal Matrix with In System Programmability

Table 7: EC of the I<sup>2</sup>C Pins at T = -40 °C to +85 °C, V<sub>DD</sub> = 2.3 V to 5.5 V Unless Otherwise Noted(Continued)

| Parameter       | Description   | Condition   | Fast-Mode |     | Fast-Mode Plus |     | Unit |
|-----------------|---|---|-----------|-----|----------------|-----|------|
|                 |   |   | Min       | Max | Min            | Max |      |
| t <sub>SP</sub> | Pulse Width of Spikes that must be suppressed by the Input Filter |   | 0         | 50  | 0              | 50  | ns   |
| I <sub>i</sub>  | Input Current each IO Pin   | 0.1V <sub>DD</sub> < V <sub>I</sub> < 0.9V <sub>DDmax</sub> | -10       | +10 | -10            | +10 | μA   |
| C <sub>i</sub>  | Capacitance for each IO Pin                                       |   | --        | 10  | --             | 10  | pF   |

**Note 1** Does not meet standard I<sup>2</sup>C specifications: t<sub>of</sub> = 20x(V<sub>DD</sub>/5.5 V) (min); For Fast-mode Plus I<sub>OL</sub> = 20 mA (min) at V<sub>OL</sub> = 0.4 V.  
**Note 2** For Fast-mode Plus SDA pin must be configured as NMOS 2x Open-Drain, see registers [834:833] in section 17.

Table 8: I<sup>2</sup>C Pins Timing Characteristics at T = -40 °C to +85 °C, V<sub>DD</sub> = 2.3 V to 5.5 V Unless Otherwise Noted

| Parameter           | Description   | Condition                      | Fast-Mode |     | Fast-Mode Plus |      | Unit |
|---------------------|---|--------------------------------|-----------|-----|----------------|------|------|
|                     |   |                                | Min       | Max | Min            | Max  |      |
| F <sub>SCL</sub>    | Clock Frequency, SCL  |                                | --        | 400 | --             | 1000 | kHz  |
| t <sub>LOW</sub>    | Clock Pulse Width Low                                       |                                | 1300      | --  | 500            | --   | ns   |
| t <sub>HIGH</sub>   | Clock Pulse Width High                                      |                                | 600       | --  | 260            | --   | ns   |
| t <sub>i</sub>      | Input Filter Spike Suppression (SCL, SDA) ( <b>Note 2</b> ) | V <sub>DD</sub> = 2.5 V ± 8 %  | --        | 95  | --             | 168  | ns   |
|                     |   | V <sub>DD</sub> = 3.3 V ± 10 % | --        | 95  | --             | 157  |      |
|                     |   | V <sub>DD</sub> = 5.0 V ± 10 % | --        | 111 | --             | 156  |      |
| t <sub>AA</sub>     | Clock Low to Data Out Valid                                 |                                | --        | 900 | --             | 450  | ns   |
| t <sub>BUF</sub>    | Bus Free Time between Stop and Start                        |                                | 1300      | --  | 500            | --   | ns   |
| t <sub>HD_STA</sub> | Start Hold Time   |                                | 600       | --  | 260            | --   | ns   |
| t <sub>SU_STA</sub> | Start Set-up Time   |                                | 600       | --  | 260            | --   | ns   |
| t <sub>HD_DAT</sub> | Data Hold Time  |                                | 0         | --  | 0              | --   | ns   |
| t <sub>SU_DAT</sub> | Data Set-up Time  |                                | 100       | --  | 50             | --   | ns   |
| t <sub>R</sub>      | Inputs Rise Time  |                                | --        | 300 | --             | 120  | ns   |
| t <sub>F</sub>      | Inputs Fall Time  |                                | --        | 300 | --             | 120  | ns   |
| t <sub>SU_STO</sub> | Stop Set-up Time  |                                | 600       | --  | 260            | --   | ns   |
| t <sub>DH</sub>     | Data Out Hold Time  |                                | 50        | --  | 50             | --   | ns   |

**Note 1** Timing diagram can be found in the [Figure 81](#).  
**Note 2** Does not meet standard I<sup>2</sup>C specifications: 50 ns.

## GreenPAK Programmable Mixed-Signal Matrix with In System Programmability

Table 9: Typical Current Estimated for Each Macrocell at T = -40 °C to +85 °C

| Parameter | Description | Note  | V <sub>DD</sub> = 2.5 V | V <sub>DD</sub> = 3.3 V | V <sub>DD</sub> = 5.0 V | Unit |
|-----------|-------------|---|-------------------------|-------------------------|-------------------------|------|
|           |             | Chip Quiescent  | 0.39                    | 0.43                    | 0.53                    | μA   |
|           |             | Vref OUT (Source none, Buffer On)   | 6.53                    | 6.61                    | 7.02                    | μA   |
|           |             | Vref OUT (Source none, Buffer Off)  | 1.40                    | 1.44                    | 1.54                    | μA   |
|           |             | Vref (ACMPxL, 0.32 mV, Buffer On)   | 6.93                    | 7.01                    | 7.43                    | μA   |
| I         | Current     | ACMP0L, 1L, hysteresis disabled, gain = 1, +IN - IO11, 12 Pull-up 1M, Vref = 32 mV          | 2.54                    | 2.59                    | 2.74                    | μA   |
|           |             | ACMP0L, 1L, hysteresis disabled, gain = 1, +IN - IO11, 12 Pull-down 1M, Vref = 32 mV        | 1.92                    | 1.96                    | 2.09                    | μA   |
|           |             | ACMP0L, hysteresis disabled, gain = 1, +IN - IO12 Pull-up 1M, Vref = 32 mV                  | 1.98                    | 2.02                    | 2.15                    | μA   |
|           |             | ACMP0L, hysteresis disabled, gain = 0.25, +IN - IO12 Pull-up 1M, Vref = 32 mV               | 2.53                    | 2.82                    | 3.60                    | μA   |
|           |             | ACMP0L, hysteresis disabled, gain = 1 or gain = 0.25, +IN - IO12 Pull-down 1M, Vref = 32 mV | 1.66                    | 1.70                    | 1.82                    | μA   |
|           |             | OSC2 25 MHz, pre-divider = 1  | 48.79                   | 60.45                   | 87.16                   | μA   |
|           |             | OSC2 25 MHz, pre-divider = 4  | 33.19                   | 39.57                   | 54.85                   | μA   |
|           |             | OSC2 25 MHz, pre-divider = 8  | 30.30                   | 35.70                   | 48.87                   | μA   |
|           |             | OSC1 2.048 MHz, pre-divider = 1   | 23.37                   | 25.98                   | 32.00                   | μA   |
|           |             | OSC1 2.048 MHz, pre-divider = 4   | 19.13                   | 20.11                   | 22.32                   | μA   |
|           |             | OSC1 2.048 MHz, pre-divider = 8   | 18.40                   | 19.10                   | 20.64                   | μA   |
|           |             | OSC0 2.048 kHz, Force   | 0.65                    | 0.70                    | 0.83                    | μA   |

### 3.5 TIMING CHARACTERISTICS

Table 10: Typical Delay Estimated for Each Macrocell at T = 25 °C

| Parameter | Description | Note                         | V <sub>DD</sub> = 2.5 V |         | V <sub>DD</sub> = 3.3 V |         | V <sub>DD</sub> = 5 V |         | Unit |
|-----------|-------------|------------------------------|-------------------------|---------|-------------------------|---------|-----------------------|---------|------|
|           |             |                              | Rising                  | Falling | Rising                  | Falling | Rising                | Falling |      |
| tpd       | Delay       | Multi-Function DFF Q         | 23                      | 21      | 16                      | 15      | 11                    | 11      | ns   |
| tpd       | Delay       | Multi-Function DFF nQ        | 23                      | 21      | 17                      | 15      | 12                    | 11      | ns   |
| tpd       | Delay       | Multi-Function DFF nRESET Q  | --                      | 29      | --                      | 21      | --                    | 15      | ns   |
| tpd       | Delay       | Multi-Function DFF nRESET nQ | 31                      | --      | 22                      | --      | 16                    | --      | ns   |
| tpd       | Delay       | Multi-Function DFF nSET Q    | 31                      | --      | 22                      | --      | 16                    | --      | ns   |
| tpd       | Delay       | Multi-Function DFF nSET nQ   | --                      | 29      | --                      | 21      | --                    | 15      | ns   |
| tpd       | Delay       | DFF Q                        | 17                      | 17      | 12                      | 12      | 8                     | 8       | ns   |
| tpd       | Delay       | DFF nQ                       | 18                      | 16      | 13                      | 11      | 9                     | 8       | ns   |
| tpd       | Delay       | DFF nRESET Q                 | --                      | 21      | --                      | 15      | --                    | 11      | ns   |
| tpd       | Delay       | DFF nRESET nQ                | 23                      | --      | 16                      | --      | 11                    | --      | ns   |
| tpd       | Delay       | DFF nSET Q                   | 22                      | --      | 16                      | --      | 11                    | --      | ns   |

## GreenPAK Programmable Mixed-Signal Matrix with In System Programmability

Table 10: Typical Delay Estimated for Each Macrocell at T = 25 °C(Continued)

| Parameter | Description | Note                           | V <sub>DD</sub> = 2.5 V |         | V <sub>DD</sub> = 3.3 V |         | V <sub>DD</sub> = 5 V |         | Unit |
|-----------|-------------|--------------------------------|-------------------------|---------|-------------------------|---------|-----------------------|---------|------|
|           |             |                                | Rising                  | Falling | Rising                  | Falling | Rising                | Falling |      |
| tpd       | Delay       | DFF nSET nQ                    | --                      | 22      | --                      | 15      | --                    | 11      | ns   |
| tpd       | Delay       | DFF3 First Q                   | 18                      | 17      | 12                      | 12      | 9                     | 9       | ns   |
| tpd       | Delay       | DFF3 First nQ                  | 19                      | 17      | 13                      | 12      | 9                     | 8       | ns   |
| tpd       | Delay       | DFF3 First nRESET Q            | --                      | 22      | --                      | 16      | --                    | 11      | ns   |
| tpd       | Delay       | DFF3 First nRESET nQ           | 23                      | --      | 17                      | --      | 12                    | --      | ns   |
| tpd       | Delay       | DFF3 First nSET Q              | 23                      | --      | 16                      | --      | 12                    | --      | ns   |
| tpd       | Delay       | DFF3 First nSET nQ             | --                      | 22      | --                      | 16      | --                    | 11      | ns   |
| tpd       | Delay       | DFF3 Second Q                  | 21                      | 20      | 15                      | 15      | 10                    | 10      | ns   |
| tpd       | Delay       | DFF3 Second nQ                 | 22                      | 20      | 15                      | 14      | 11                    | 10      | ns   |
| tpd       | Delay       | DFF3 Second nRESET Q           | --                      | 22      | --                      | 16      | --                    | 11      | ns   |
| tpd       | Delay       | DFF3 Second nRESET nQ          | 23                      | --      | 16                      | --      | 12                    | --      | ns   |
| tpd       | Delay       | DFF3 Second nSET Q             | 23                      | --      | 16                      | --      | 11                    | --      | ns   |
| tpd       | Delay       | DFF3 Second nSET nQ            | --                      | 22      | --                      | 16      | --                    | 11      | ns   |
| tpd       | Delay       | Multi-Function LATCH Q         | 22                      | 24      | 15                      | 18      | 11                    | 13      | ns   |
| tpd       | Delay       | Multi-Function LATCH nQ        | 27                      | 20      | 19                      | 14      | 14                    | 10      | ns   |
| tpd       | Delay       | Multi-Function LATCH nRESET Q  | 27                      | 30      | 19                      | 22      | 14                    | 16      | ns   |
| tpd       | Delay       | Multi-Function LATCH nRESET nQ | 32                      | 26      | 23                      | 18      | 16                    | 13      | ns   |
| tpd       | Delay       | Multi-Function LATCH nSET Q    | 30                      | 23      | 21                      | 17      | 15                    | 12      | ns   |
| tpd       | Delay       | Multi-Function LATCH nSET nQ   | 25                      | 28      | 18                      | 20      | 13                    | 15      | ns   |
| tpd       | Delay       | LATCH Q                        | 16                      | 19      | 11                      | 13      | 8                     | 9       | ns   |
| tpd       | Delay       | LATCH nQ                       | 20                      | 15      | 14                      | 11      | 10                    | 8       | ns   |
| tpd       | Delay       | LATCH nRESET Q                 | 20                      | 22      | 14                      | 16      | 10                    | 11      | ns   |
| tpd       | Delay       | LATCH nRESET nQ                | 24                      | 20      | 17                      | 14      | 12                    | 10      | ns   |
| tpd       | Delay       | LATCH nSET Q                   | 21                      | 17      | 15                      | 12      | 11                    | 8       | ns   |
| tpd       | Delay       | LATCH nSET nQ                  | 18                      | 20      | 13                      | 15      | 9                     | 10      | ns   |
| tpd       | Delay       | LATCH3 First Q                 | 17                      | 19      | 12                      | 14      | 8                     | 10      | ns   |
| tpd       | Delay       | LATCH3 First nQ                | 21                      | 16      | 15                      | 11      | 10                    | 8       | ns   |
| tpd       | Delay       | LATCH3 First nRESET Q          | 21                      | 23      | 15                      | 17      | 11                    | 12      | ns   |
| tpd       | Delay       | LATCH3 First nRESET nQ         | 24                      | 21      | 17                      | 15      | 12                    | 10      | ns   |
| tpd       | Delay       | LATCH3 First nSET Q            | 22                      | 18      | 15                      | 13      | 11                    | 9       | ns   |
| tpd       | Delay       | LATCH3 First nSET nQ           | 19                      | 21      | 14                      | 15      | 10                    | 11      | ns   |
| tpd       | Delay       | LATCH3 Second Q                | 18                      | 18      | 13                      | 13      | 9                     | 9       | ns   |
| tpd       | Delay       | LATCH3 Second nQ               | 19                      | 17      | 14                      | 12      | 9                     | 9       | ns   |
| tpd       | Delay       | LATCH3 Second nRESET Q         | --                      | 23      | --                      | 16      | --                    | 12      | ns   |
| tpd       | Delay       | LATCH3 Second nRESET nQ        | 24                      | --      | 17                      | --      | 12                    | --      | ns   |
| tpd       | Delay       | LATCH3 Second nSET Q           | 22                      | --      | 15                      | --      | 11                    | --      | ns   |
| tpd       | Delay       | LATCH3 Second nSET nQ          | --                      | 21      | --                      | 15      | --                    | 11      | ns   |
| tpd       | Delay       | Multi-Function 3-bit LUT       | 22                      | 24      | 16                      | 18      | 11                    | 13      | ns   |

## GreenPAK Programmable Mixed-Signal Matrix with In System Programmability

Table 10: Typical Delay Estimated for Each Macrocell at T = 25 °C(Continued)

| Parameter | Description | Note   | V <sub>DD</sub> = 2.5 V |         | V <sub>DD</sub> = 3.3 V |         | V <sub>DD</sub> = 5 V |         | Unit |
|-----------|-------------|--|-------------------------|---------|-------------------------|---------|-----------------------|---------|------|
|           |             |  | Rising                  | Falling | Rising                  | Falling | Rising                | Falling |      |
| tpd       | Delay       | Multi-Function 3-bit LUT, CNT Delay            | 50                      | 52      | 36                      | 38      | 25                    | 27      | ns   |
| tpd       | Delay       | Multi-Function 4-bit LUT                       | 22                      | 25      | 16                      | 18      | 11                    | 13      | ns   |
| tpd       | Delay       | Multi-Function 4-bit LUT, CNT Delay            | 52                      | 50      | 37                      | 36      | 25                    | 26      | ns   |
| tpd       | Delay       | 2-bit LUT                                      | 17                      | 16      | 12                      | 12      | 8                     | 8       | ns   |
| tpd       | Delay       | 3-bit LUT                                      | 17                      | 17      | 12                      | 12      | 8                     | 9       | ns   |
| tpd       | Delay       | Digital input to Low Voltage to PP 1x          | 35                      | 222     | 24                      | 150     | 16                    | 96      | ns   |
| tpd       | Delay       | Digital input to with Schmitt Trigger to PP 1x | 26                      | 30      | 19                      | 22      | 13                    | 16      | ns   |
| tpd       | Delay       | Digital input to PP 1x                         | 27                      | 31      | 19                      | 22      | 13                    | 16      | ns   |
| tpd       | Delay       | Digital input to PP 2x                         | 24                      | 29      | 18                      | 21      | 12                    | 15      | ns   |
| tpd       | Delay       | Digital input to NMOS 1x                       | --                      | 27      | --                      | 20      | --                    | 14      | ns   |
| tpd       | Delay       | Digital input to NMOS 2x                       | --                      | 26      | --                      | 19      | --                    | 14      | ns   |
| tpd       | Delay       | Digital input to 1x3-State (Z to 0)            | --                      | 24      | --                      | 17      | --                    | 12      | ns   |
| tpd       | Delay       | Digital input to 2x3-State (Z to 0)            | --                      | 23      | --                      | 17      | --                    | 12      | ns   |
| tpd       | Delay       | Digital input to 1x3-State (Z to 1)            | 27                      | --      | 19                      | --      | 14                    | --      | ns   |
| tpd       | Delay       | Digital input to 2x3-State (Z to 1)            | 26                      | --      | 19                      | --      | 13                    | --      | ns   |
| tpd       | Delay       | Digital input to 1xOE (Z to 0)                 | --                      | 24      | --                      | 17      | --                    | 12      | ns   |
| tpd       | Delay       | Digital input to 1xOE (Z to 1)                 | 27                      | --      | 19                      | --      | 14                    | --      | ns   |
| tpd       | Delay       | Ripple CNT CLK UP Q0                           | 18                      | 15      | 13                      | 11      | 9                     | 8       | ns   |
| tpd       | Delay       | Ripple CNT CLK UP Q0                           | 23                      | 22      | 17                      | 16      | 12                    | 12      | ns   |
| tpd       | Delay       | Ripple CNT CLK UP Q1                           | 28                      | 21      | 20                      | 16      | 14                    | 12      | ns   |
| tpd       | Delay       | Ripple CNT CLK DOWN Q0                         | 18                      | 15      | 13                      | 11      | 9                     | 8       | ns   |
| tpd       | Delay       | Ripple CNT CLK DOWN Q0                         | 27                      | 21      | 19                      | 15      | 14                    | 11      | ns   |
| tpd       | Delay       | Ripple CNT CLK DOWN Q1                         | 26                      | 27      | 19                      | 20      | 13                    | 14      | ns   |
| tpd       | Delay       | Ripple CNT nSET UP Q0                          | 26                      | 35      | 19                      | 25      | 14                    | 18      | ns   |
| tpd       | Delay       | Ripple CNT nSET UP Q0                          | 25                      | 39      | 18                      | 28      | 13                    | 20      | ns   |
| tpd       | Delay       | Ripple CNT nSET UP Q1                          | 24                      | 44      | 17                      | 32      | 12                    | 23      | ns   |
| tpd       | Delay       | Ripple CNT nSET DOWN Q0                        | 26                      | 34      | 19                      | 25      | 14                    | 18      | ns   |
| tpd       | Delay       | Ripple CNT nSET DOWN Q0                        | 25                      | 41      | 18                      | 30      | 13                    | 22      | ns   |
| tpd       | Delay       | Ripple CNT nSET DOWN Q1                        | 24                      | 40      | 17                      | 29      | 12                    | 21      | ns   |
| tpd       | Delay       | Edge detect                                    | 21                      | 20      | 15                      | 14      | 11                    | 10      | ns   |
| tw        | Width       | Edge detect                                    | 205                     | 206     | 153                     | 153     | 113                   | 113     | ns   |
| tpd       | Delay       | Edge detect Delayed                            | 227                     | 229     | 168                     | 169     | 123                   | 124     | ns   |
| tpd       | Delay       | Filter nQ                                      | 141                     | 154     | 99                      | 106     | 67                    | 67      | ns   |
| tpd       | Delay       | Filter Q                                       | 158                     | 137     | 108                     | 97      | 68                    | 65      | ns   |
| tpd       | Delay       | PGen CLK                                       | 16                      | 15      | 11                      | 11      | 8                     | 8       | ns   |
| tpd       | Delay       | PGen nRESET (Z to 0)                           | --                      | 20      | --                      | 14      | --                    | 10      | ns   |

## GreenPAK Programmable Mixed-Signal Matrix with In System Programmability

**Table 10: Typical Delay Estimated for Each Macrocell at T = 25 °C(Continued)**

| Parameter | Description | Note                  | V <sub>DD</sub> = 2.5 V |         | V <sub>DD</sub> = 3.3 V |         | V <sub>DD</sub> = 5 V |         | Unit |
|-----------|-------------|-----------------------|-------------------------|---------|-------------------------|---------|-----------------------|---------|------|
|           |             |                       | Rising                  | Falling | Rising                  | Falling | Rising                | Falling |      |
| tpd       | Delay       | PGen nRESET (Z to 1)  | 18                      | --      | 12                      | --      | 8                     | --      | ns   |
| tpd       | Delay       | Pipe Delay nRESET Out | 30                      | 26      | 22                      | 19      | 16                    | 14      | ns   |
| tpd       | Delay       | Pipe Delay Out        | 22                      | 19      | 16                      | 13      | 11                    | 10      | ns   |

**Table 11: Programmable Delay Expected Delays and Widths (Typical) at T = 25 °C**

| Parameter | Description         | Note  | V <sub>DD</sub> = 2.5 V | V <sub>DD</sub> = 3.3 V | V <sub>DD</sub> = 5.0 V | Unit |
|-----------|---------------------|---|-------------------------|-------------------------|-------------------------|------|
| tw        | Pulse Width, 1 cell | mode: (any) edge detect, edge detect output | 205                     | 153                     | 113                     | ns   |
| tw        | Pulse Width, 2 cell | mode: (any) edge detect, edge detect output | 407                     | 303                     | 223                     | ns   |
| tw        | Pulse Width, 3 cell | mode: (any) edge detect, edge detect output | 610                     | 453                     | 334                     | ns   |
| tw        | Pulse Width, 4 cell | mode: (any) edge detect, edge detect output | 812                     | 603                     | 444                     | ns   |
| time1     | Delay, 1 cell       | mode: (any) edge detect, edge detect output | 20                      | 14                      | 10                      | ns   |
| time1     | Delay, 2 cell       | mode: (any) edge detect, edge detect output | 20                      | 14                      | 10                      | ns   |
| time1     | Delay, 3 cell       | mode: (any) edge detect, edge detect output | 20                      | 14                      | 10                      | ns   |
| time1     | Delay, 4 cell       | mode: (any) edge detect, edge detect output | 20                      | 14                      | 10                      | ns   |
| time2     | Delay, 1 cell       | mode: both edge delay, edge detect output   | 226                     | 168                     | 123                     | ns   |
| time2     | Delay, 2 cell       | mode: both edge delay, edge detect output   | 429                     | 318                     | 234                     | ns   |
| time2     | Delay, 3 cell       | mode: both edge delay, edge detect output   | 632                     | 468                     | 344                     | ns   |
| time2     | Delay, 4 cell       | mode: both edge delay, edge detect output   | 834                     | 618                     | 455                     | ns   |

**Table 12: Typical Filter Rejection Pulse Width at T = 25 °C**

| Parameter            | V <sub>DD</sub> = 2.5 V | V <sub>DD</sub> = 3.3 V | V <sub>DD</sub> = 5.0 V | Unit |
|----------------------|-------------------------|-------------------------|-------------------------|------|
| Filtered Pulse Width | < 123                   | < 84                    | < 52                    | ns   |

**Table 13: Typical Counter/Delay Offset Measurements at T = 25 °C**

| Parameter               | OSC Freq             | OSC Power | V <sub>DD</sub> = 2.5 V | V <sub>DD</sub> = 3.3 V | V <sub>DD</sub> = 5.0 V | Unit |
|-------------------------|----------------------|-----------|-------------------------|-------------------------|-------------------------|------|
| Power-On time           | 25 MHz               | auto      | 0.13                    | 0.13                    | 0.13                    | μs   |
| Power-On time           | 2.048 MHz            | auto      | 0.3                     | 0.4                     | 0.4                     | μs   |
| Power-On time           | 2.048 kHz            | auto      | 660                     | 570                     | 480                     | μs   |
| frequency settling time | 25 MHz               | auto      | 4                       | 4                       | 8                       | μs   |
| frequency settling time | 2.048 MHz            | auto      | 0.3                     | 0.4                     | 0.4                     | μs   |
| frequency settling time | 2.048 kHz            | auto      | 660                     | 570                     | 480                     | μs   |
| variable (CLK period)   | 25 MHz               | forced    | 0-40                    | 0-40                    | 0-40                    | ns   |
| variable (CLK period)   | 2.048 MHz            | forced    | 0-0.5                   | 0-0.5                   | 0-0.5                   | μs   |
| variable (CLK period)   | 2.048 kHz            | forced    | 0-488                   | 0-488                   | 0-488                   | μs   |
| tpd (non-delayed edge)  | 25 MHz/<br>2.048 kHz | either    | 35                      | 14                      | 10                      | ns   |

### 3.6 OSC CHARACTERISTICS



## GreenPAK Programmable Mixed-Signal Matrix with In System Programmability

### 3.6.1 OSC Specifications

Table 14: Oscillators Frequency Limits,  $V_{DD} = 2.3 \text{ V to } 5.5 \text{ V}$

| OSC            | Temperature Range  |                    |          |                    |                    |          |
|----------------|--------------------|--------------------|----------|--------------------|--------------------|----------|
|                | +25 °C             |                    |          | -40 °C to +85 °C   |                    |          |
|                | Minimum Value, kHz | Maximum Value, kHz | Error, % | Minimum Value, kHz | Maximum Value, kHz | Error, % |
| 2.048 kHz OSC0 | 2.025              | 2.071              | +1.13    | 1.900              | 2.093              | +2.19    |
|                |                    |                    | -1.03    |                    |                    | -6.16    |
| 2.048 MHz OSC1 | 2020.83            | 2073.33            | +1.19    | 1991.05            | 2083.90            | +1.75    |
|                |                    |                    | -1.24    |                    |                    | -2.00    |
| 25 MHz OSC2    | 24585.51           | 25354.98           | +1.42    | 23562.69           | 25606.32           | +2.43    |
|                |                    |                    | -1.49    |                    |                    | -4.28    |

### 3.6.2 OSC Power-On Delay

Table 15: Oscillators Power-On Delay at  $T = 25 \text{ °C}$ , OSC Power Mode: "Auto Power-On"

| Power Supply Range ( $V_{DD}$ ), V | Oscillator2 25 MHz |                   | Oscillator2 25 MHz Start with delay |                   | Oscillator1 2.048 MHz |                   | Oscillator0 2.048 kHz        |                              |
|------------------------------------|--------------------|-------------------|-------------------------------------|-------------------|-----------------------|-------------------|------------------------------|------------------------------|
|                                    | Typical Value, ns  | Maximum Value, ns | Typical Value, ns                   | Maximum Value, ns | Typical Value, ns     | Maximum Value, ns | Typical Value, $\mu\text{s}$ | Maximum Value, $\mu\text{s}$ |
| 2.30                               | 43.41              | 48.00             | 142.46                              | 153.00            | 530.99                | 549.00            | 746.66                       | 1011.73                      |
| 2.50                               | 38.55              | 42.00             | 140.90                              | 150.00            | 508.76                | 521.00            | 704.97                       | 939.85                       |
| 2.70                               | 34.89              | 38.00             | 140.22                              | 149.00            | 491.43                | 512.00            | 671.91                       | 884.63                       |
| 3.00                               | 30.82              | 34.00             | 139.81                              | 149.00            | 473.49                | 497.00            | 633.51                       | 819.23                       |
| 3.30                               | 27.79              | 30.00             | 139.66                              | 148.00            | 460.75                | 481.00            | 604.09                       | 768.79                       |
| 3.60                               | 25.53              | 27.00             | 139.70                              | 149.00            | 450.80                | 472.00            | 580.73                       | 730.10                       |
| 4.00                               | 23.21              | 26.00             | 139.84                              | 149.00            | 439.61                | 462.00            | 556.22                       | 690.04                       |
| 4.20                               | 22.32              | 25.00             | 140.03                              | 148.00            | 435.00                | 456.00            | 545.94                       | 673.29                       |
| 4.50                               | 21.12              | 25.00             | 140.16                              | 150.00            | 428.88                | 449.00            | 532.09                       | 649.85                       |
| 5.00                               | 19.61              | 20.00             | 140.34                              | 149.00            | 419.91                | 439.00            | 510.48                       | 616.17                       |
| 5.50                               | 18.57              | 19.00             | 140.51                              | 149.00            | 412.39                | 432.00            | 485.59                       | 579.80                       |

## 3.7 ACMP SPECIFICATIONS

Table 16: ACMP Specifications at  $T = -40 \text{ °C to } +85 \text{ °C}$ ,  $V_{DD} = 2.3 \text{ V to } 5.5 \text{ V}$  Unless Otherwise Noted

| Parameter    | Description                         | Note  | Condition           | Min  | Typ   | Max      | Unit          |
|--------------|-------------------------------------|---|---------------------|------|-------|----------|---------------|
| $V_{ACMP}$   | ACMP0L, ACMP1L Input Voltage Range  | Positive Input  |                     | 0    | --    | $V_{DD}$ | V             |
|              |                                     | Negative Input  |                     | 0    | --    | $V_{DD}$ | V             |
| $V_{offset}$ | ACMP0L, ACMP1L Input Offset Voltage | $V_{phys} = 0 \text{ mV}$ , Gain = 1, $V_{ref} = 32 \text{ mV to } 2016 \text{ mV}$ | $T = 25 \text{ °C}$ | -6.4 | --    | 6.7      | mV            |
|              |                                     |   |                     | -7.3 | --    | 7.2      | mV            |
| $t_{start}$  | ACMP0L, ACMP1L Start Time           | ACMP Power-On delay   | $T = 25 \text{ °C}$ | --   | 139.3 | 233.3    | $\mu\text{s}$ |
|              |                                     |   |                     | --   | 144.6 | 326.6    | $\mu\text{s}$ |

## GreenPAK Programmable Mixed-Signal Matrix with In System Programmability

Table 16: ACMP Specifications at T = -40 °C to +85 °C, V<sub>DD</sub> = 2.3 V to 5.5 V Unless Otherwise Noted(Continued)

| Parameter        | Description   | Note  | Condition  | Min    | Typ   | Max    | Unit |    |
|------------------|---|---|--|--------|-------|--------|------|----|
| V <sub>HYS</sub> | ACMP0L, ACMP1L<br>Built-in Hysteresis   | V <sub>HYS</sub> = 32 mV  | T = 25 °C  | 27.23  | --    | 43.27  | mV   |    |
|                  |   | V <sub>HYS</sub> = 64 mV  | T = 25 °C  | 59.43  | --    | 75.81  | mV   |    |
|                  |   | V <sub>HYS</sub> = 192 mV   | T = 25 °C  | 187.14 | --    | 206.30 | mV   |    |
|                  |   | V <sub>HYS</sub> = 32 mV  |  | 25.29  | --    | 44.19  | mV   |    |
|                  |   | V <sub>HYS</sub> = 64 mV  |  | 56.49  | --    | 77.18  | mV   |    |
|                  |   | V <sub>HYS</sub> = 192 mV   |  | 186.73 | --    | 206.30 | mV   |    |
| R <sub>sin</sub> | Input Resistance  | Gain = 1x   |  | --     | 100.0 | --     | MΩ   |    |
|                  |   | Gain = 0.25x, 0.33x, 0.5x   |  | --     | 2.0   | --     | MΩ   |    |
| PROP             | Propagation Delay,<br>Response Time<br>for ACMP0L,<br>ACMP1L                                | Gain = 1,<br>V <sub>ref</sub> = 32 mV to 2016 mV,<br>Overdrive = 10 mV  | Low to High  | --     | 42.93 | 114.55 | μs   |    |
|                  |   |   | High to Low  | --     | 38.99 | 83.66  | μs   |    |
|                  |   | Gain = 1,<br>V <sub>ref</sub> = 32 mV to 2016 mV,<br>Overdrive = 100 mV | Low to High  | --     | 21.13 | 51.24  | μs   |    |
|                  |   |   | High to Low  | --     | 20.34 | 51.08  | μs   |    |
| G                | Gain error (including<br>threshold and<br>internal V <sub>ref</sub> error)                  | G = 1   |  | --     | 1     | --     |      |    |
|                  |   | G = 0.5   |  | 0.496  | --    | 0.504  |      |    |
|                  |   | G = 0.33  |  | 0.330  | --    | 0.338  |      |    |
|                  |   | G = 0.25  |  | 0.246  | --    | 0.255  |      |    |
| V <sub>ref</sub> | V <sub>ref</sub> Output error,<br>V <sub>ref</sub> =<br>32 mV to 2016 mV,<br>Buffer Enabled |   | T = 25 °C,<br>Loading = 1 μA   | -6.04  | --    | 5.59   | %    |    |
|                  |   |   | Loading = 1 μA   | -6.11  | --    | 5.72   | %    |    |
|                  | V <sub>ref</sub> Output<br>Capacitance<br>Loading   |   | Load Resistance =<br>1 MΩ  |        | --    | --     | 15   | pF |
|                  |   |   | Load Resistance =<br>560 κΩ  |        | --    | --     | 27   | pF |
|                  |   |   | Load Resistance =<br>100 κΩ  |        | --    | --     | 64   | pF |
|                  |   |   | Load Resistance =<br>10 κΩ   |        | --    | --     | 120  | pF |
|                  |   |   | Load Resistance =<br>2 κΩ  |        | --    | --     | 180  | pF |
|                  |   |   | Load Resistance =<br>1 κΩ,<br>V <sub>ref</sub> = 32 mV to<br>1024 mV |        | --    | --     | 210  | pF |

## GreenPAK Programmable Mixed-Signal Matrix with In System Programmability

### 4 User Programmability

The SLG46824 is a user programmable device with Multiple-Time-Programmable (MTP) memory elements that are able to configure the connection matrix and macrocells. A programming development kit allows the user the ability to create initial devices. Once the design is finalized, the programming code (.gpx file) is forwarded to Dialog Semiconductor to integrate into a production process.

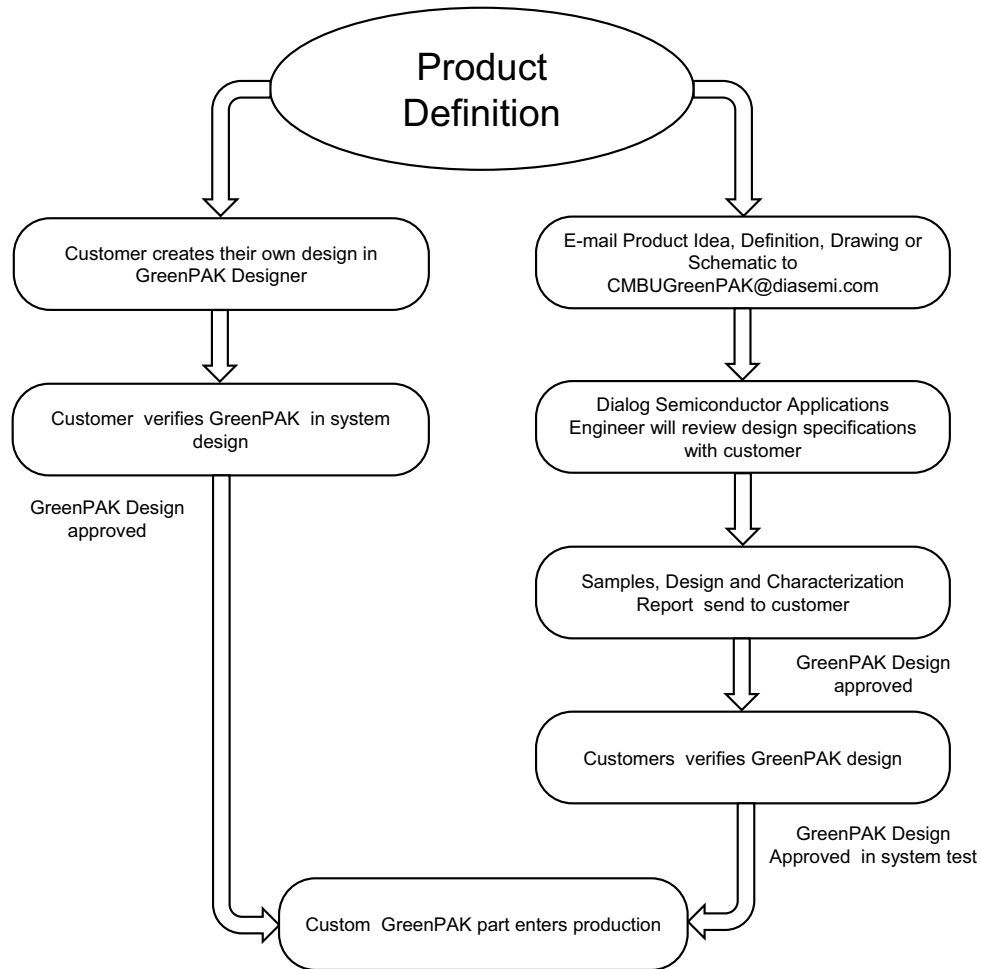


Figure 2: Steps to Create a Custom GreenPAK Device

## GreenPAK Programmable Mixed-Signal Matrix with In System Programmability

### 5 IO Pins

#### 5.1 IO PINS

The SLG46824 has a total of 13 GPIO, 2 GPO, and 2 GPI Pins which can function as either a user defined Input or Output, as well as serving as a special function (such as outputting the voltage reference).

IOs 0 to 6, SCL, SDA are powered from  $V_{DD}$  and IOs 7 to 14 are powered from  $V_{DD2}$ . All internal macrocells are powered from  $V_{DD}$ . Voltage on  $V_{DD2}$  Pin must be less or equal voltage on  $V_{DD}$  Pin.

In case  $V_{DD2}$  floating and any Pin powered from  $V_{DD2}$  is configured as input, ESD pin protection diodes must be considered when applying an input signal to the pin. This will cause a significant current leakage.

In case  $V_{DD2}$  floating and any Pin powered from  $V_{DD2}$  is configured as Output, the pin will behave as NMOS Open-Drain.

It is not recommended to connect  $V_{DD2}$  to the GND.

#### 5.2 GPIO PINS

IO0, IO1, IO2, IO3, IO4, IO5, IO8, IO9, IO10, IO11, IO12, IO13, IO14 serve as General Purpose IO Pins.

#### 5.3 GPO PINS

IO6 and IO7 serve as General Purpose Output Pins.

#### 5.4 GPI PINS

SCL and SDA serve as General Purpose Input Pins.

#### 5.5 PULL-UP/DOWN RESISTORS

All IO Pins have the option of user-selectable resistors that can be connected to the pin structure. The selectable values on these resistors are 10 k $\Omega$ , 100 k $\Omega$ , and 1 M $\Omega$ . The internal resistors can be configured as either Pull-up or Pull-downs.

#### 5.6 FAST PULL-UP/DOWN DURING POWER-UP

During power-up, IO Pull-up/down resistance will switch to 2.6 k $\Omega$  initially and then it will switch to normal setting value. This function is enabled by register [768].

GreenPAK Programmable Mixed-Signal Matrix with In System Programmability

5.7 I<sup>2</sup>C MODE IO STRUCTURE (V<sub>DD</sub> OR V<sub>DD2</sub>)

5.7.1 I<sup>2</sup>C Mode Structure (for SCL and SDA)

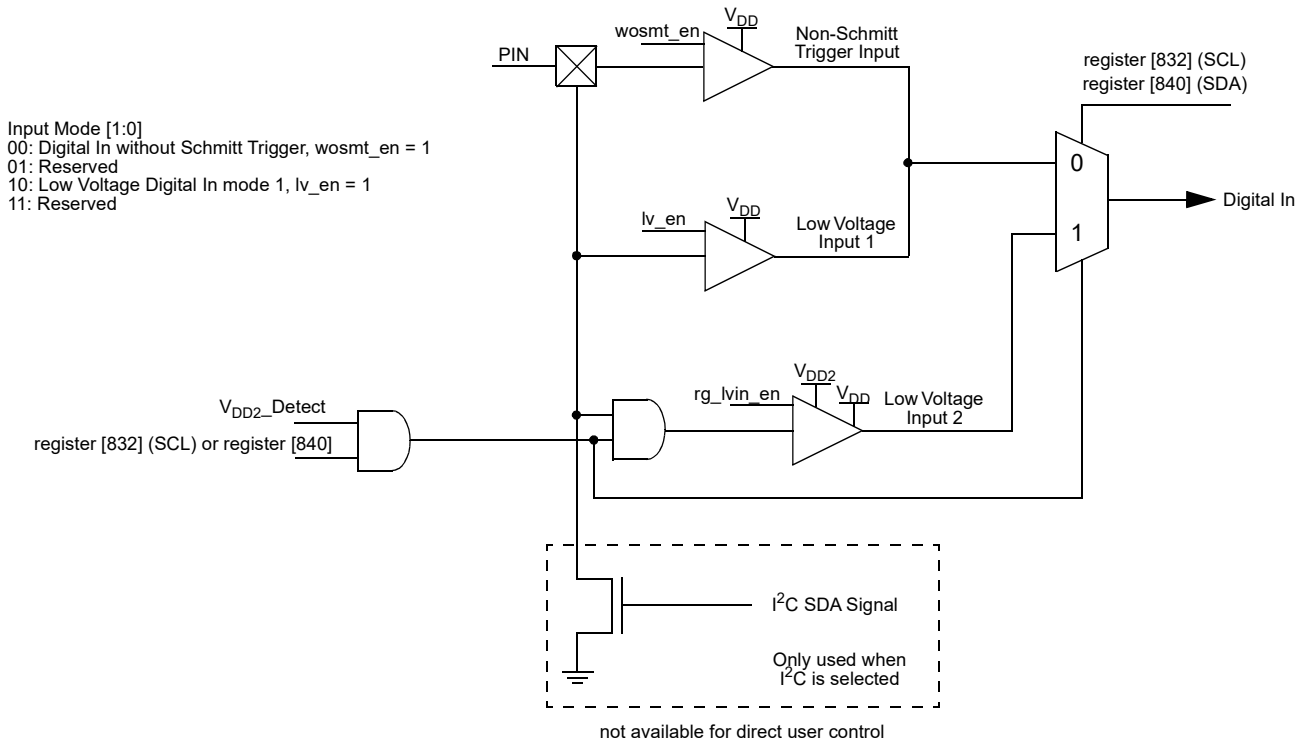


Figure 3: IO with I<sup>2</sup>C Mode IO Structure Diagram

# GreenPAK Programmable Mixed-Signal Matrix with In System Programmability

## 5.8 MATRIX OE IO STRUCTURE (VDD OR VDD2)

### 5.8.1 Matrix OE IO Structure (for IOs 1, 4, 5 with V<sub>DD</sub>, and IOs 8, 9, 10, 11, 12, 13, 14 with V<sub>DD2</sub>)

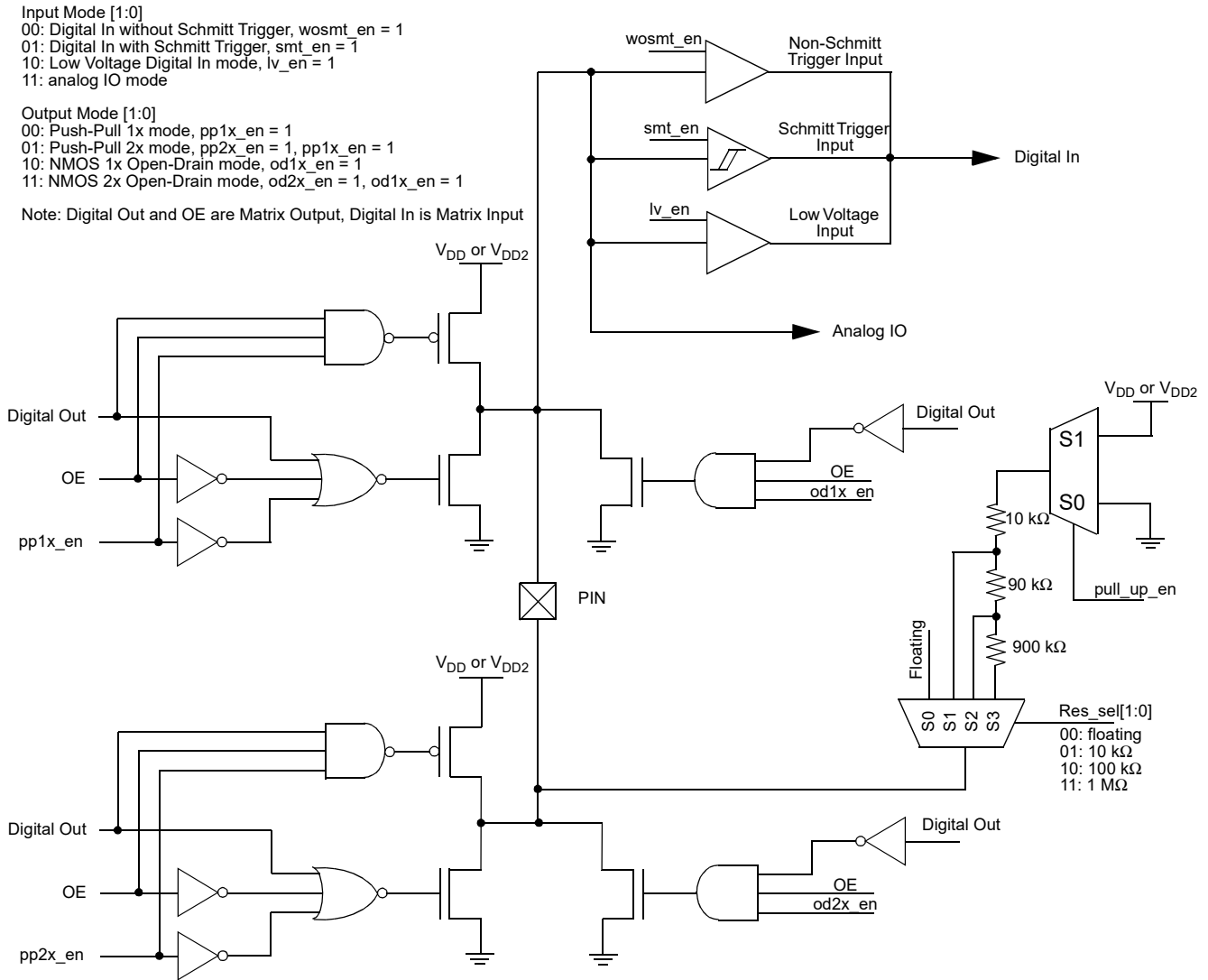


Figure 4: Matrix OE IO Structure Diagram

# GreenPAK Programmable Mixed-Signal Matrix with In System Programmability

## 5.9 REGISTER OE IO STRUCTURE (VDD OR VDD2)

### 5.9.1 Register OE IO Structure (for IOs 0, 2, 3 with V<sub>DD</sub>)

Input Mode [1:0]  
 00: Digital In without Schmitt Trigger, wosmt\_en = 1, OE = 0  
 01: Digital In with Schmitt Trigger, smt\_en = 1, OE = 0  
 10: Low Voltage Digital In mode, lv\_en = 1, OE = 0  
 11: Reserved

Output Mode [1:0]  
 00: Push-Pull 1x mode, pp1x\_en = 1, OE = 1  
 01: Push-Pull 2x mode, pp2x\_en = 1, OE = 1  
 10: 1x Open-Drain mode, od1x\_en = 1, OE = 1  
 11: 2x Open-Drain mode, od2x\_en = 1, OE = 1

Note: OE cannot be selected by user and is controlled by register

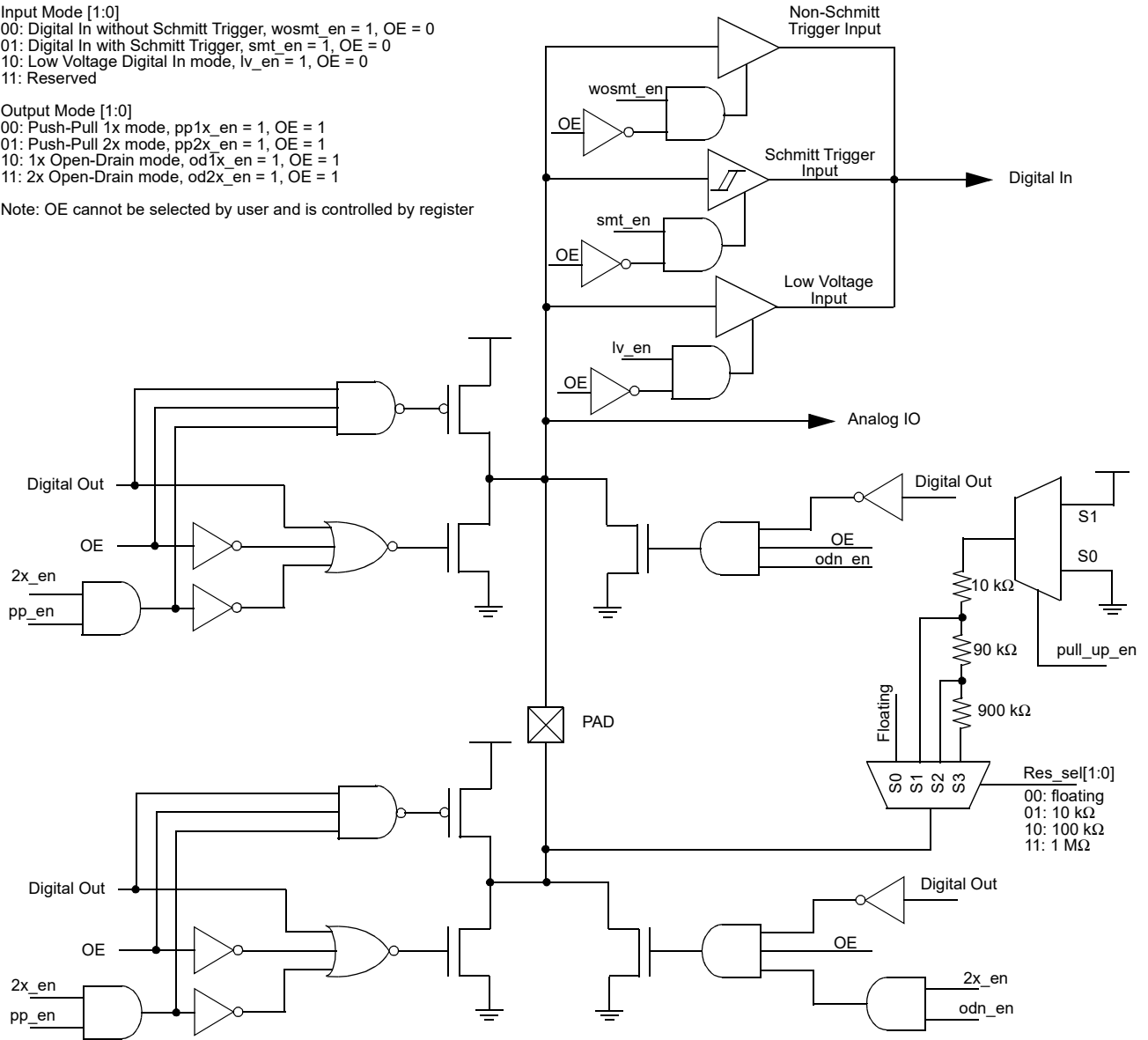


Figure 5: GPIO Register OE IO Structure Diagram

# GreenPAK Programmable Mixed-Signal Matrix with In System Programmability

## 5.10 REGISTER OE IO STRUCTURE (VDD OR VDD2)

### 5.10.1 Register OE IO Structure (for IO 6 with V<sub>DD</sub>, and IO 7 with V<sub>DD2</sub>)

- Mode [2:0]
- 000: Reserved
- 001: Reserved
- 010: Reserved
- 011: Reserved
- 100: Push-Pull mode, pp\_en = 1, OE = 1
- 101: NMOS Open-Drain mode, odn\_en = 1, OE = 1
- 110: PMOS Open-Drain mode, odp\_en = 1, OE = 1
- 111: analog IO and NMOS Open-Drain mode, odn\_en = 1 and aio\_en = 1

Note: OE cannot be selected by user and is controlled by register

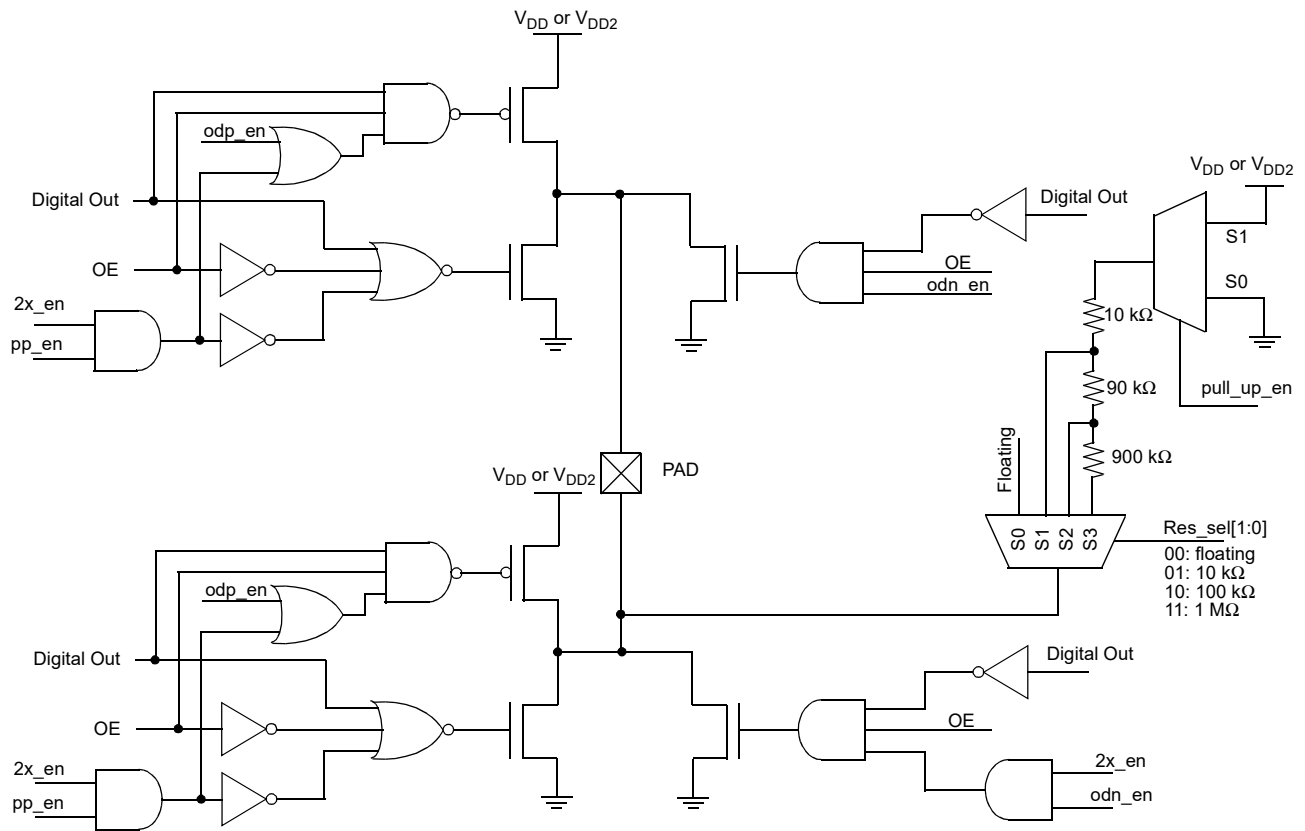


Figure 6: GPIO Register OE IO Structure Diagram



GreenPAK Programmable Mixed-Signal Matrix with In System Programmability

5.11 IO TYPICAL PERFORMANCE

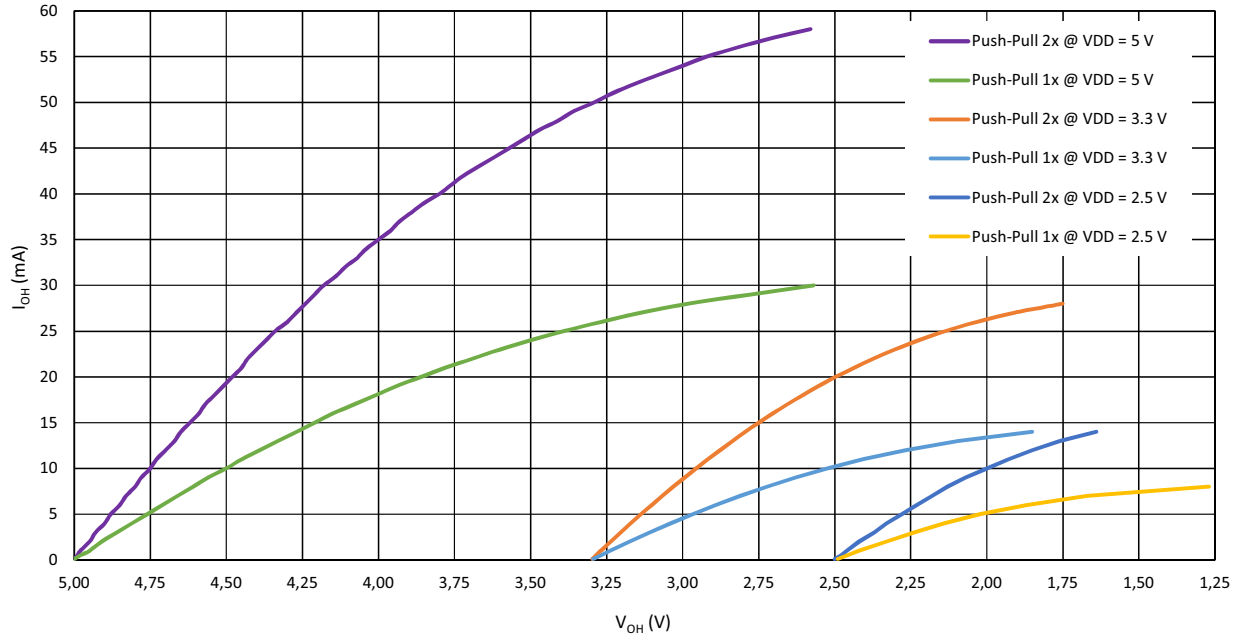


Figure 7: Typical High Level Output Current vs. High Level Output Voltage at T = 25 °C

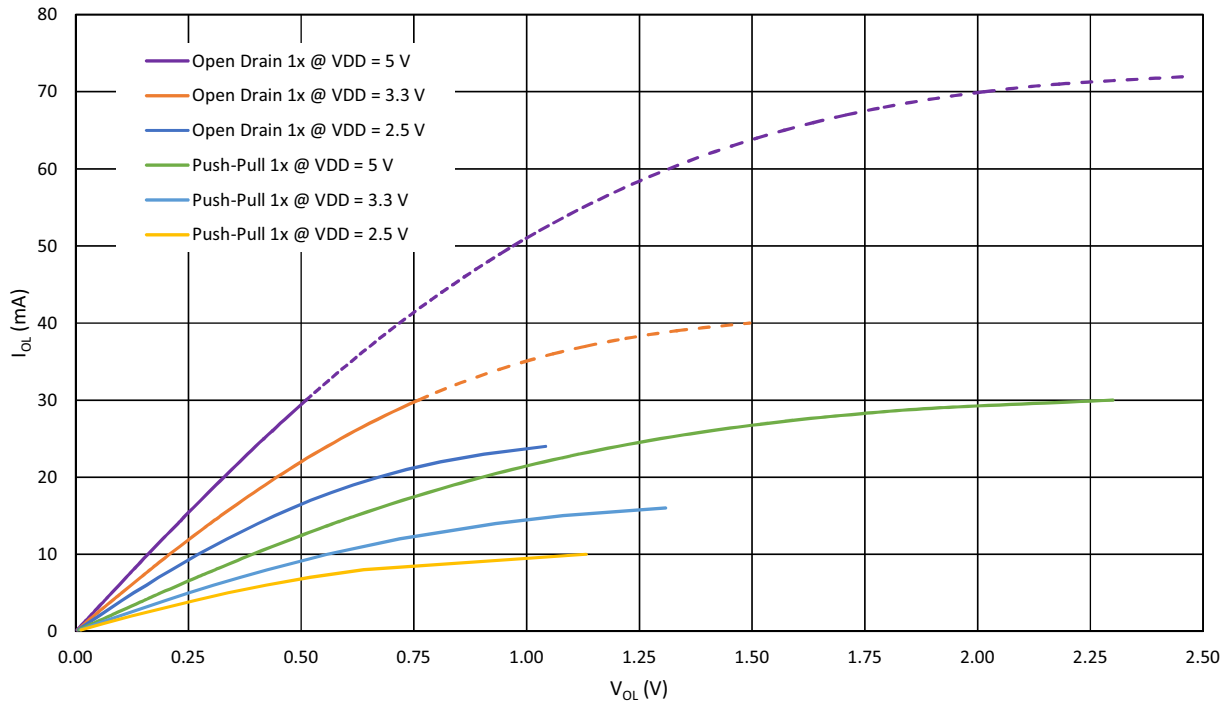


Figure 8: Typical Low Level Output Current vs. Low Level Output Voltage, 1x Drive at T = 25 °C, Full Range

GreenPAK Programmable Mixed-Signal Matrix with In System Programmability

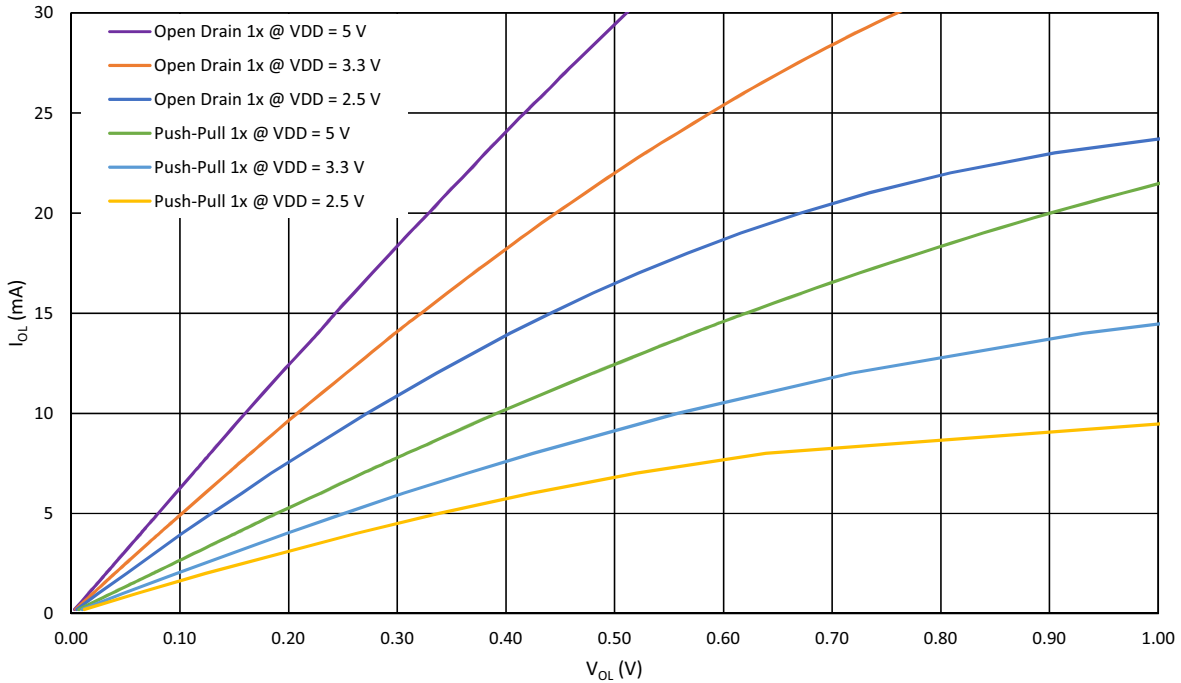


Figure 9: Typical Low Level Output Current vs. Low Level Output Voltage, 1x Drive at T = 25 °C

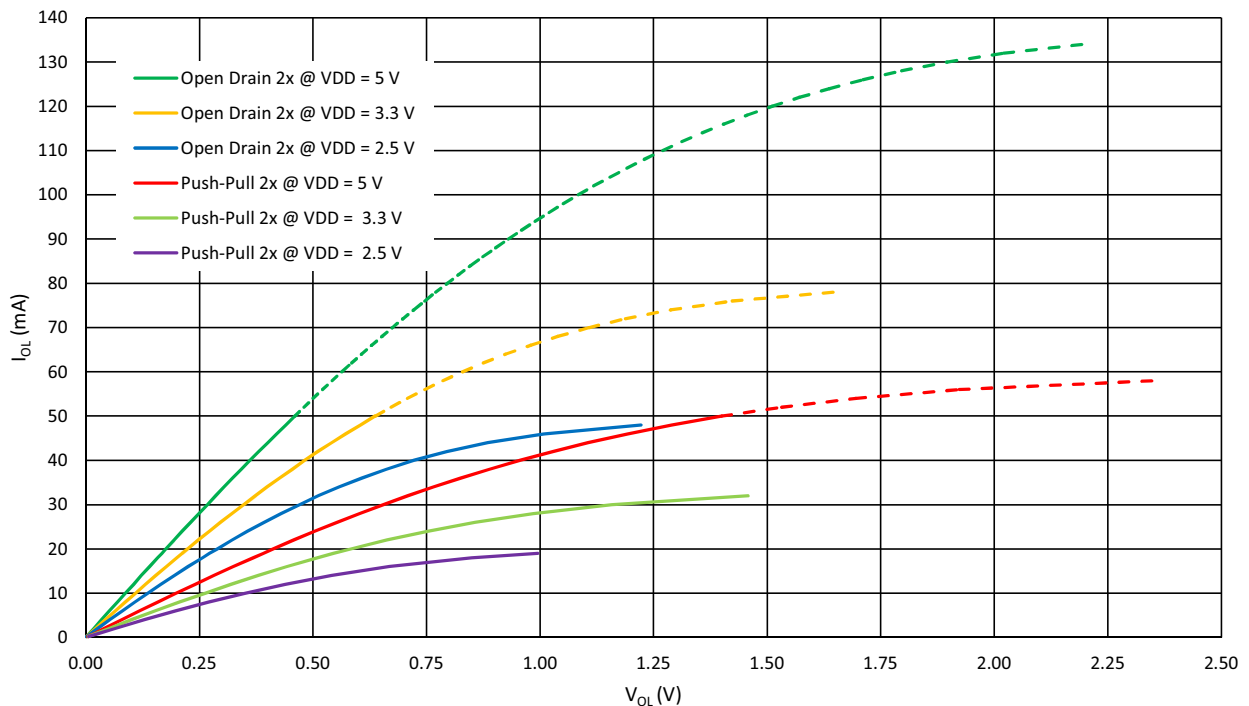


Figure 10: Typical Low Level Output Current vs. Low Level Output Voltage, 2x Drive at T = 25 °C, Full Range

GreenPAK Programmable Mixed-Signal Matrix with In System Programmability

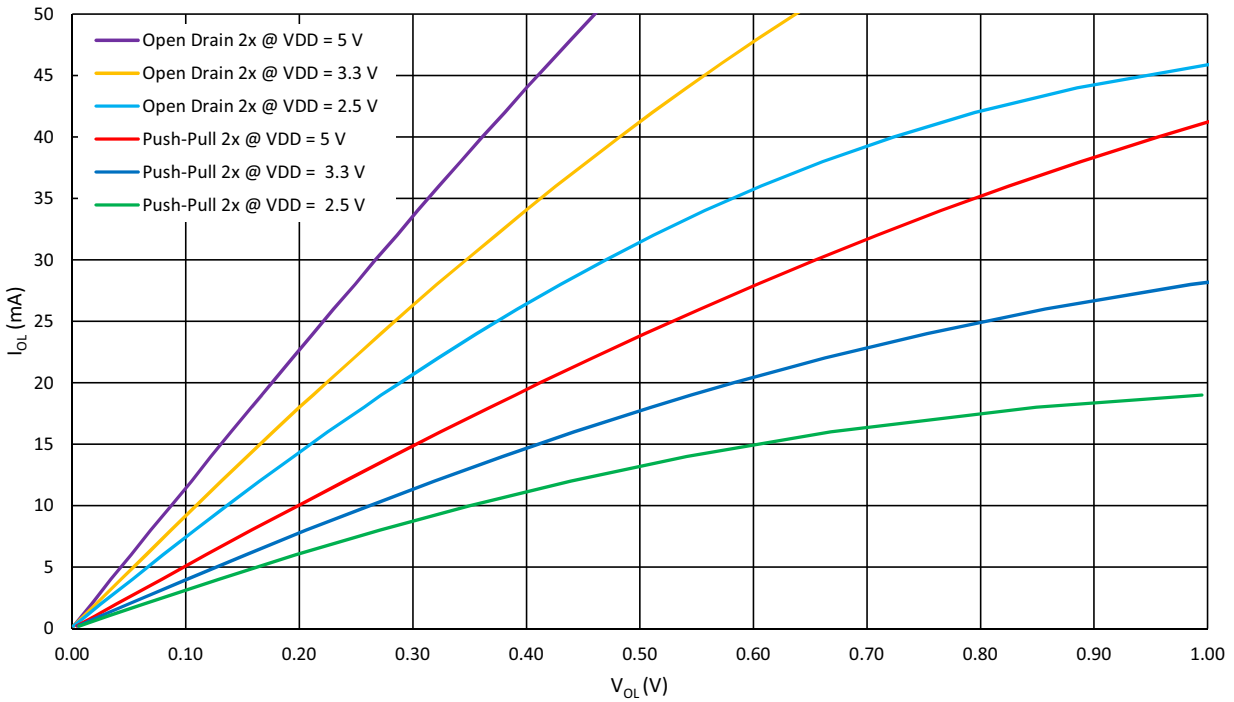


Figure 11: Typical Low Level Output Current vs. Low Level Output Voltage, 2x Drive at T = 25 °C

GreenPAK Programmable Mixed-Signal Matrix with In System Programmability

6 Connection Matrix

The Connection Matrix in the SLG46824 is used to create the internal routing for internal functional macrocells of the device once it is programmed. The registers are programmed from the multiple-time NVM cell during Test Mode Operation. The output of each functional macrocell within the SLG46824 has a specific digital bit code assigned to it that is either set to active “High” or inactive “Low”, based on the design that is created. Once the 2048 register bits within the SLG46824 are programmed a fully custom circuit will be created.

The Connection Matrix has 64 inputs and 96 outputs. Each of the 64 inputs to the Connection Matrix is hard-wired to the digital output of a particular source macrocell, including IOs, LUTs, analog comparators, other digital resources, such as V<sub>DD</sub> and GND. The input to a digital macrocell uses a 6-bit register to select one of these 64 input lines.

For a complete list of the SLG46824’s register table, see Section 17.

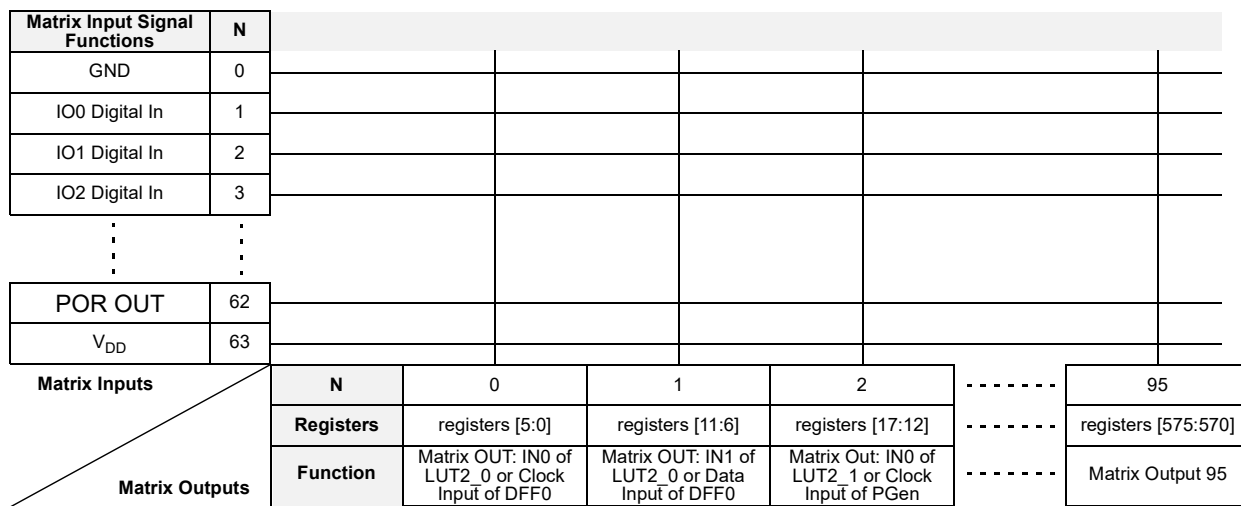


Figure 12: Connection Matrix

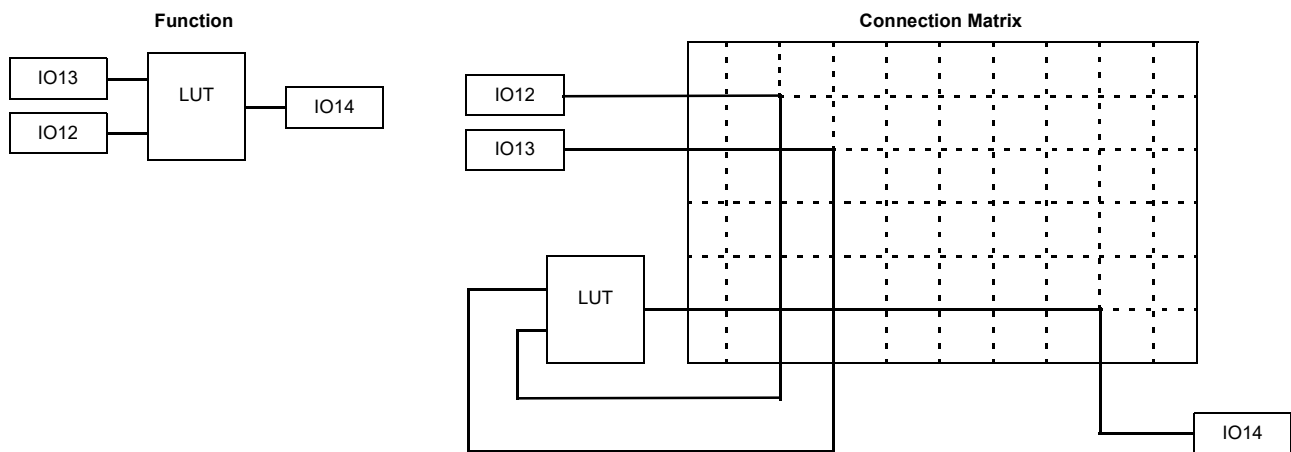


Figure 13: Connection Matrix Example

## GreenPAK Programmable Mixed-Signal Matrix with In System Programmability

### 6.1 MATRIX INPUT TABLE

Table 17: Matrix Input Table

| Matrix Input Number | Matrix Input Signal Function     | Matrix Decode |   |   |   |   |   |
|---------------------|----------------------------------|---------------|---|---|---|---|---|
|                     |                                  | 5             | 4 | 3 | 2 | 1 | 0 |
| 0                   | GND                              | 0             | 0 | 0 | 0 | 0 | 0 |
| 1                   | IO0 Digital Input                | 0             | 0 | 0 | 0 | 0 | 1 |
| 2                   | IO1 Digital Input                | 0             | 0 | 0 | 0 | 1 | 0 |
| 3                   | IO2 Digital Input                | 0             | 0 | 0 | 0 | 1 | 1 |
| 4                   | IO3 Digital Input                | 0             | 0 | 0 | 1 | 0 | 0 |
| 5                   | IO4 Digital Input                | 0             | 0 | 0 | 1 | 0 | 1 |
| 6                   | IO5 Digital Input                | 0             | 0 | 0 | 1 | 1 | 0 |
| 7                   | IO8 Digital Input                | 0             | 0 | 0 | 1 | 1 | 1 |
| 8                   | IO9 Digital Input                | 0             | 0 | 1 | 0 | 0 | 0 |
| 9                   | IO10 Digital Input               | 0             | 0 | 1 | 0 | 0 | 1 |
| 10                  | IO11 Digital Input               | 0             | 0 | 1 | 0 | 1 | 0 |
| 11                  | IO12 Digital Input               | 0             | 0 | 1 | 0 | 1 | 1 |
| 12                  | IO13 Digital Input               | 0             | 0 | 1 | 1 | 0 | 0 |
| 13                  | IO14 Digital Input               | 0             | 0 | 1 | 1 | 0 | 1 |
| 14                  | LUT2_0_DFF0_OUT                  | 0             | 0 | 1 | 1 | 1 | 0 |
| 15                  | LUT2_1_DFF1_OUT                  | 0             | 0 | 1 | 1 | 1 | 1 |
| 16                  | LUT2_2_DFF2_OUT                  | 0             | 1 | 0 | 0 | 0 | 0 |
| 17                  | LUT2_3_PGEN_OUT                  | 0             | 1 | 0 | 0 | 0 | 1 |
| 18                  | LUT3_0_DFF3_OUT                  | 0             | 1 | 0 | 0 | 1 | 0 |
| 19                  | LUT3_1_DFF4_OUT                  | 0             | 1 | 0 | 0 | 1 | 1 |
| 20                  | LUT3_2_DFF5_OUT                  | 0             | 1 | 0 | 1 | 0 | 0 |
| 21                  | LUT3_3_DFF6_OUT                  | 0             | 1 | 0 | 1 | 0 | 1 |
| 22                  | LUT3_4_DFF7_OUT                  | 0             | 1 | 0 | 1 | 1 | 0 |
| 23                  | LUT3_5_DFF8_OUT                  | 0             | 1 | 0 | 1 | 1 | 1 |
| 24                  | LUT3_6_PIPEDLY_RIPP_CNT_OUT0     | 0             | 1 | 1 | 0 | 0 | 0 |
| 25                  | PIPEDLY_RIPP_CNT_OUT1            | 0             | 1 | 1 | 0 | 0 | 1 |
| 26                  | RIPP_CNT_OUT2                    | 0             | 1 | 1 | 0 | 1 | 0 |
| 27                  | EDET_FILTER_OUT                  | 0             | 1 | 1 | 0 | 1 | 1 |
| 28                  | PROG_DLY_EDET_OUT                | 0             | 1 | 1 | 1 | 0 | 0 |
| 29                  | MULTFUNC_8BIT_1: DLY_CNT_OUT     | 0             | 1 | 1 | 1 | 0 | 1 |
| 30                  | CKOSC1_MATRIX: OSC1 matrix input | 0             | 1 | 1 | 1 | 1 | 0 |
| 31                  | CKOSC0_MATRIX: OSC0 matrix input | 0             | 1 | 1 | 1 | 1 | 1 |
| 32                  | CKOSC2_MATRIX: OSC2 matrix input | 1             | 0 | 0 | 0 | 0 | 0 |
| 33                  | MULTFUNC_8BIT_2: DLY_CNT_OUT     | 1             | 0 | 0 | 0 | 0 | 1 |
| 34                  | MULTFUNC_8BIT_3: DLY_CNT_OUT     | 1             | 0 | 0 | 0 | 1 | 0 |
| 35                  | MULTFUNC_8BIT_4: DLY_CNT_OUT     | 1             | 0 | 0 | 0 | 1 | 1 |
| 36                  | MULTFUNC_8BIT_5: DLY_CNT_OUT     | 1             | 0 | 0 | 1 | 0 | 0 |
| 37                  | MULTFUNC_8BIT_6: DLY_CNT_OUT     | 1             | 0 | 0 | 1 | 0 | 1 |

## GreenPAK Programmable Mixed-Signal Matrix with In System Programmability

Table 17: Matrix Input Table(Continued)

| Matrix Input Number | Matrix Input Signal Function                     | Matrix Decode |   |   |   |   |   |
|---------------------|--|---------------|---|---|---|---|---|
|                     |  | 5             | 4 | 3 | 2 | 1 | 0 |
| 38                  | MULTFUNC_8BIT_7: DLY_CNT_OUT                     | 1             | 0 | 0 | 1 | 1 | 0 |
| 39                  | MULTFUNC_16BIT_0: LUT_DFF_OUT                    | 1             | 0 | 0 | 1 | 1 | 1 |
| 40                  | MULTFUNC_8BIT_1: LUT_DFF_OUT                     | 1             | 0 | 1 | 0 | 0 | 0 |
| 41                  | MULTFUNC_8BIT_2: LUT_DFF_OUT                     | 1             | 0 | 1 | 0 | 0 | 1 |
| 42                  | MULTFUNC_8BIT_3: LUT_DFF_OUT                     | 1             | 0 | 1 | 0 | 1 | 0 |
| 43                  | MULTFUNC_8BIT_4: LUT_DFF_OUT                     | 1             | 0 | 1 | 0 | 1 | 1 |
| 44                  | MULTFUNC_8BIT_5: LUT_DFF_OUT                     | 1             | 0 | 1 | 1 | 0 | 0 |
| 45                  | MULTFUNC_8BIT_6: LUT_DFF_OUT                     | 1             | 0 | 1 | 1 | 0 | 1 |
| 46                  | MULTFUNC_8BIT_7: LUT_DFF_OUT                     | 1             | 0 | 1 | 1 | 1 | 0 |
| 47                  | MULTFUNC_16BIT_0: DLY_CNT_OUT                    | 1             | 0 | 1 | 1 | 1 | 1 |
| 48                  | I <sup>2</sup> C_virtual_7 Input: register [976] | 1             | 1 | 0 | 0 | 0 | 0 |
| 49                  | I <sup>2</sup> C_virtual_6 Input: register [977] | 1             | 1 | 0 | 0 | 0 | 1 |
| 50                  | I <sup>2</sup> C_virtual_5 Input: register [978] | 1             | 1 | 0 | 0 | 1 | 0 |
| 51                  | I <sup>2</sup> C_virtual_4 Input: register [979] | 1             | 1 | 0 | 0 | 1 | 1 |
| 52                  | I <sup>2</sup> C_virtual_3 Input: register [980] | 1             | 1 | 0 | 1 | 0 | 0 |
| 53                  | I <sup>2</sup> C_virtual_2 Input: register [981] | 1             | 1 | 0 | 1 | 0 | 1 |
| 54                  | I <sup>2</sup> C_virtual_1 Input: register [982] | 1             | 1 | 0 | 1 | 1 | 0 |
| 55                  | I <sup>2</sup> C_virtual_0 Input: register [983] | 1             | 1 | 0 | 1 | 1 | 1 |
| 56                  | Reserved   | 1             | 1 | 1 | 0 | 0 | 0 |
| 57                  | Reserved   | 1             | 1 | 1 | 0 | 0 | 1 |
| 58                  | ACMP0L_OUT                                       | 1             | 1 | 1 | 0 | 1 | 0 |
| 59                  | ACMP1L_OUT                                       | 1             | 1 | 1 | 0 | 1 | 1 |
| 60                  | 2nd CKOSC1_MATRIX                                | 1             | 1 | 1 | 1 | 0 | 0 |
| 61                  | 2nd CKOSC0_MATRIX                                | 1             | 1 | 1 | 1 | 0 | 1 |
| 62                  | POR OUT  | 1             | 1 | 1 | 1 | 1 | 0 |
| 63                  | V <sub>DD</sub>                                  | 1             | 1 | 1 | 1 | 1 | 1 |

### 6.2 MATRIX OUTPUT TABLE

Table 18: Matrix Output Table

| Register Bit Address | Matrix Output Signal Function        | Matrix Output Number |
|----------------------|--------------------------------------|----------------------|
| 5:0                  | IN0 of LUT2_0 or Clock Input of DFF0 | 0                    |
| 11:6                 | IN1 of LUT2_0 or Data Input of DFF0  | 1                    |
| 17:12                | IN0 of LUT2_3 or Clock Input of PGen | 2                    |
| 23:18                | IN1 of LUT2_3 or nRST of PGen        | 3                    |
| 29:24                | IN0 of LUT2_1 or Clock Input of DFF1 | 4                    |
| 35:30                | IN1 of LUT2_1 or Data Input of DFF1  | 5                    |
| 41:36                | IN0 of LUT2_2 or Clock Input of DFF2 | 6                    |
| 47:42                | IN1 of LUT2_2 or Data Input of DFF2  | 7                    |
| 53:48                | IN0 of LUT3_0 or Clock Input of DFF3 | 8                    |

## GreenPAK Programmable Mixed-Signal Matrix with In System Programmability

Table 18: Matrix Output Table(Continued)

| Register Bit Address | Matrix Output Signal Function  | Matrix Output Number |
|----------------------|--|----------------------|
| 59:54                | IN1 of LUT3_0 or Data Input of DFF3  | 9                    |
| 65:60                | IN2 of LUT3_0 or nRST(nSET) of DFF3  | 10                   |
| 71:66                | IN0 of LUT3_1 or Clock Input of DFF4   | 11                   |
| 77:72                | IN1 of LUT3_1 or Data Input of DFF4  | 12                   |
| 83:78                | IN2 of LUT3_1 or nRST(nSET) of DFF4  | 13                   |
| 89:84                | IN0 of LUT3_2 or Clock Input of DFF5   | 14                   |
| 95:90                | IN1 of LUT3_2 or Data Input of DFF5  | 15                   |
| 101:96               | IN2 of LUT3_2 or nRST(nSET) of DFF5  | 16                   |
| 107:102              | IN0 of LUT3_3 or Clock Input of DFF6   | 17                   |
| 113:108              | IN1 of LUT3_3 or Data Input of DFF6  | 18                   |
| 119:114              | IN2 of LUT3_3 or nRST(nSET) of DFF6  | 19                   |
| 125:120              | IN0 of LUT3_4 or Clock Input of DFF7   | 20                   |
| 131:126              | IN1 of LUT3_4 or Data Input of DFF7  | 21                   |
| 137:132              | IN2 of LUT3_4 or nRST(nSET) of DFF7  | 22                   |
| 143:138              | IN0 of LUT3_5 or Clock Input of DFF8   | 23                   |
| 149:144              | IN1 of LUT3_5 or Data Input of DFF8  | 24                   |
| 155:150              | IN2 of LUT3_5 or nRST(nSET) of DFF8  | 25                   |
| 161:156              | IN0 of LUT3_6 or Input of Pipe Delay or UP Signal of RIPP CNT  | 26                   |
| 167:162              | IN1 of LUT3_6 or nRST of Pipe Delay or STB of RIPP CNT   | 27                   |
| 173:168              | IN2 of LUT3_6 or Clock of Pipe Delay_RIPP_CNT  | 28                   |
| 179:174              | Reserved   | 29                   |
| 185:180              | MULTFUNC_16BIT_0: IN0 of LUT4_0 or Clock Input of DFF9;<br>Delay0 Input (or Counter0 nRST/SET Input)   | 30                   |
| 191:186              | MULTFUNC_16BIT_0: IN1 of LUT4_0 or nRST of DFF9;<br>Delay0 Input (or Counter0 nRST Input) or Delay/Counter0 External Clock Source                          | 31                   |
| 197:192              | MULTFUNC_16BIT_0: IN2 of LUT4_0 or nSET of DFF9;<br>Delay0 Input (or Counter0 nRST Input) or Delay/Counter0 External Clock Source or<br>KEEP Input of FSM0 | 32                   |
| 203:198              | MULTFUNC_16BIT_0: IN3 of LUT4_0 or Data Input of DFF9;<br>Delay0 Input (or Counter0 nRST Input) or UP Input of FSM0  | 33                   |
| 209:204              | MULTFUNC_8BIT_1: IN0 of LUT3_7 or Clock Input of DFF10;<br>Delay1 Input (or Counter1 nRST Input)   | 34                   |
| 215:210              | MULTFUNC_8BIT_1: IN1 of LUT3_7 or nRST (nSET) of DFF10;<br>Delay1 Input (or Counter1 nRST Input) or Delay/Counter1 External Clock Source                   | 35                   |
| 221:216              | MULTFUNC_8BIT_1: IN2 of LUT3_7 or Data Input of DFF10;<br>Delay1 Input (or Counter1 nRST Input)  | 36                   |
| 227:222              | MULTFUNC_8BIT_2: IN0 of LUT3_8 or Clock Input of DFF11;<br>Delay2 Input (or Counter2 nRST Input);  | 37                   |
| 233:228              | MULTFUNC_8BIT_2: IN1 of LUT3_8 or nRST (nSET) of DFF11;<br>Delay2 Input (or Counter2 nRST Input) or Delay/Counter2 External Clock Source                   | 38                   |
| 239:234              | MULTFUNC_8BIT_2: IN2 of LUT3_8 or Data Input of DFF11;<br>Delay2 Input (or Counter2 nRST Input)  | 39                   |

## GreenPAK Programmable Mixed-Signal Matrix with In System Programmability

**Table 18: Matrix Output Table(Continued)**

| Register Bit Address | Matrix Output Signal Function   | Matrix Output Number |
|----------------------|---|----------------------|
| 245:240              | MULTFUNC_8BIT_3: IN0 of LUT3_9 or Clock Input of DFF12;<br>Delay3 Input (or Counter3 nRST Input)  | 40                   |
| 251:246              | MULTFUNC_8BIT_3: IN1 of LUT3_9 or nRST (nSET) of DFF12;<br>Delay3 Input (or Counter3 nRST Input) or Delay/Counter3 External Clock Source  | 41                   |
| 257:252              | MULTFUNC_8BIT_3: IN2 of LUT3_9 or Data Input of DFF12;<br>Delay3 Input (or Counter3 nRST Input)   | 42                   |
| 263:258              | MULTFUNC_8BIT_4: IN0 of LUT3_10 or Clock Input of DFF13;<br>Delay4 Input (or Counter4 nRST Input)   | 43                   |
| 269:264              | MULTFUNC_8BIT_4: IN1 of LUT3_10 or nRST (nSET) of DFF13;<br>Delay4 Input (or Counter4 nRST Input) or Delay/Counter4 External Clock Source | 44                   |
| 275:270              | MULTFUNC_8BIT_4: IN2 of LUT3_10 or Data Input of DFF13;<br>Delay4 Input (or Counter4 nRST Input)  | 45                   |
| 281:276              | MULTFUNC_8BIT_5: IN0 of LUT3_11 or Clock Input of DFF14;<br>Delay5 Input (or Counter5 nRST Input)   | 46                   |
| 287:282              | MULTFUNC_8BIT_5: IN1 of LUT3_11 or nRST (nSET) of DFF14;<br>Delay5 Input (or Counter5 nRST Input) or Delay/Counter5 External Clock Source | 47                   |
| 293:288              | MULTFUNC_8BIT_5: IN2 of LUT3_11 or Data Input of DFF14;<br>Delay5 Input (or Counter5 nRST Input)  | 48                   |
| 299:294              | MULTFUNC_8BIT_6: IN0 of LUT3_12 or Clock Input of DFF15;<br>Delay6 Input (or Counter6 nRST Input)   | 49                   |
| 305:300              | MULTFUNC_8BIT_6: IN1 of LUT3_12 or nRST (nSET) of DFF15;<br>Delay6 Input (or Counter6 nRST Input) or Delay/Counter6 External Clock Source | 50                   |
| 311:306              | MULTFUNC_8BIT_6: IN2 of LUT3_12 or Data Input of DFF15;<br>Delay6 Input (or Counter6 nRST Input)  | 51                   |
| 317:312              | MULTFUNC_8BIT_7: IN0 of LUT3_13 or Clock Input of DFF16;<br>Delay7 Input (or Counter7 nRST Input)   | 52                   |
| 323:318              | MULTFUNC_8BIT_7: IN1 of LUT3_13 or nRST (nSET) of DFF16;<br>Delay7 Input (or Counter7 nRST Input) or Delay/Counter7 External Clock Source | 53                   |
| 329:324              | MULTFUNC_8BIT_7: IN2 of LUT3_13 or Data Input of DFF16;<br>Delay7 Input (or Counter7 nRST Input)  | 54                   |
| 335:330              | Filter/Edge detect input  | 55                   |
| 341:336              | Programmable delay/edge detect input  | 56                   |
| 347:342              | OSC2 ENABLE from matrix   | 57                   |
| 353:348              | OSC0 ENABLE from matrix   | 58                   |
| 359:354              | OSC1 ENABLE matrix  | 59                   |
| 365:360              | Vref PD from matrix   | 60                   |
| 371:366              | BG power-down from matrix   | 61                   |
| 377:372              | Reserved  | 62                   |
| 383:378              | Reserved  | 63                   |
| 389:384              | PWR UP of ACMP0L from matrix  | 64                   |
| 395:390              | PWR UP of ACMP1L from matrix  | 65                   |
| 401:396              | Reserved  | 66                   |
| 407:402              | IO0 Digital Output  | 67                   |
| 413:408              | IO1 Digital Output  | 68                   |



## GreenPAK Programmable Mixed-Signal Matrix with In System Programmability

**Table 18: Matrix Output Table(Continued)**

| Register Bit Address | Matrix Output Signal Function | Matrix Output Number |
|----------------------|-------------------------------|----------------------|
| 419:414              | IO1 Digital Output OE         | 69                   |
| 425:420              | IO2 Digital Output            | 70                   |
| 431:426              | IO3 Digital Output            | 71                   |
| 437:432              | IO4 Digital Output            | 72                   |
| 443:438              | IO4 Digital Output OE         | 73                   |
| 449:444              | IO5 Digital Output            | 74                   |
| 455:450              | IO5 Digital Output OE         | 75                   |
| 461:456              | IO6 Digital Output            | 76                   |
| 467:462              | IO7 Digital Output            | 77                   |
| 473:468              | IO8 Digital Output            | 78                   |
| 479:474              | IO8 Digital Output OE         | 79                   |
| 485:480              | IO9 Digital Output            | 80                   |
| 491:486              | IO9 Digital Output OE         | 81                   |
| 497:492              | IO10 Digital Output           | 82                   |
| 503:498              | IO10 Digital Output OE        | 83                   |
| 509:504              | IO11 Digital Output           | 84                   |
| 515:510              | IO11 Digital Output OE        | 85                   |
| 521:516              | IO12 Digital Output           | 86                   |
| 527:522              | IO12 Digital Output OE        | 87                   |
| 533:528              | IO13 Digital Output           | 88                   |
| 539:534              | IO13 Digital Output OE        | 89                   |
| 545:540              | IO14 Digital Output           | 90                   |
| 551:546              | IO14 Digital Output OE        | 91                   |
| 557:552              | Reserved                      | 92                   |
| 563:558              | Reserved                      | 93                   |
| 569:564              | Matrix OUT 94                 | 94                   |
| 575:570              | Matrix OUT 95                 | 95                   |

**Note 1** For each Address, the two most significant bits are unused.

### 6.3 CONNECTION MATRIX VIRTUAL INPUTS

As mentioned previously, the Connection Matrix inputs come from the outputs of various digital macrocells on the device. Eight of the Connection Matrix inputs have the special characteristic that the state of these signal lines comes from a corresponding data bit written as a register value via I<sup>2</sup>C. This gives the user the ability to write data via the serial channel, and have this information translated into signals that can be driven into the Connection Matrix and from the Connection Matrix to the digital inputs of other macrocells on the device. The I<sup>2</sup>C address for reading and writing these register values is at 0x7A (0122).

An I<sup>2</sup>C write command to these register bits will set the signal values going into the Connection Matrix to the desired state. A read command to these register bits will read either the original data values coming from the NVM memory bits (that were loaded during the initial device startup), or the values from a previous write command (if that has happened). See [Table 19](#).

## GreenPAK Programmable Mixed-Signal Matrix with In System Programmability

**Table 19: Connection Matrix Virtual Inputs**

| Matrix Input Number | Matrix Input Signal Function     | Register Bit Addresses (d) |
|---------------------|----------------------------------|----------------------------|
| 55                  | I <sup>2</sup> C_virtual_0 Input | [983]                      |
| 54                  | I <sup>2</sup> C_virtual_1 Input | [982]                      |
| 53                  | I <sup>2</sup> C_virtual_2 Input | [981]                      |
| 52                  | I <sup>2</sup> C_virtual_3 Input | [980]                      |
| 51                  | I <sup>2</sup> C_virtual_4 Input | [979]                      |
| 50                  | I <sup>2</sup> C_virtual_5 Input | [978]                      |
| 49                  | I <sup>2</sup> C_virtual_6 Input | [977]                      |
| 48                  | I <sup>2</sup> C_virtual_7 Input | [976]                      |

### 6.4 CONNECTION MATRIX VIRTUAL OUTPUTS

The digital outputs of the various macrocells are routed to the Connection Matrix to enable interconnections to the inputs of other macrocells in the device. At the same time, it is possible to read the state of each of the macrocell outputs as a register value via I<sup>2</sup>C. This option, called Connection Matrix Virtual Outputs, allows the user to remotely read the values of each macrocell output. The I<sup>2</sup>C addresses for reading these register values are 0x74 (0116) to 0x7B (0123). Write commands to these same register values will be ignored (with the exception of the Virtual Input register bits at 0x7A (0122)).

## GreenPAK Programmable Mixed-Signal Matrix with In System Programmability

### 7 Combination Function Macrocells

The SLG46824 has 11 combination function macrocells that can serve more than one logic or timing function. In each case, they can serve as a Look Up Table (LUT), or as another logic or timing function. See the list below for the functions that can be implemented in these macrocells.

- Three macrocells that can serve as either 2-bit LUT or as D Flip-Flop
- Six macrocells that can serve as either 3-bit LUTs or as D Flip-Flops with Set/Reset Input
- One macrocell that can serve as either 3-bit LUT or as Pipe Delay/Ripple Counter
- One macrocell that can serve as either 2-bit LUT or as Programmable Pattern Generator (PGen)

Inputs/Outputs for the 11 combination function macrocells are configured from the connection matrix with specific logic functions being defined by the state of NVM bits.

When used as a LUT to implement combinatorial logic functions, the outputs of the LUTs can be configured to any user defined function, including the following standard digital logic devices (AND, NAND, OR, NOR, XOR, XNOR).

#### 7.1 2-BIT LUT OR D FLIP-FLOP MACROCELLS

There are three macrocells that can serve as either 2-bit LUT or as D Flip-Flop. When used to implement LUT functions, the 2-bit LUT takes in two input signals from the connection matrix and produce a single output, which goes back into the connection matrix. When used to implement D Flip-Flop function, the two input signals from the connection matrix go to the data (D) and clock (CLK) inputs for the Flip-Flop, with the output going back to the connection matrix.

The operation of the D Flip-Flop and LATCH will follow the functional descriptions below:

DFF: CLK is rising edge triggered, then Q = D; otherwise Q will not change

LATCH: when CLK is Low, then Q = D; otherwise Q remains its previous value (input D has no effect on the output, when CLK is High).

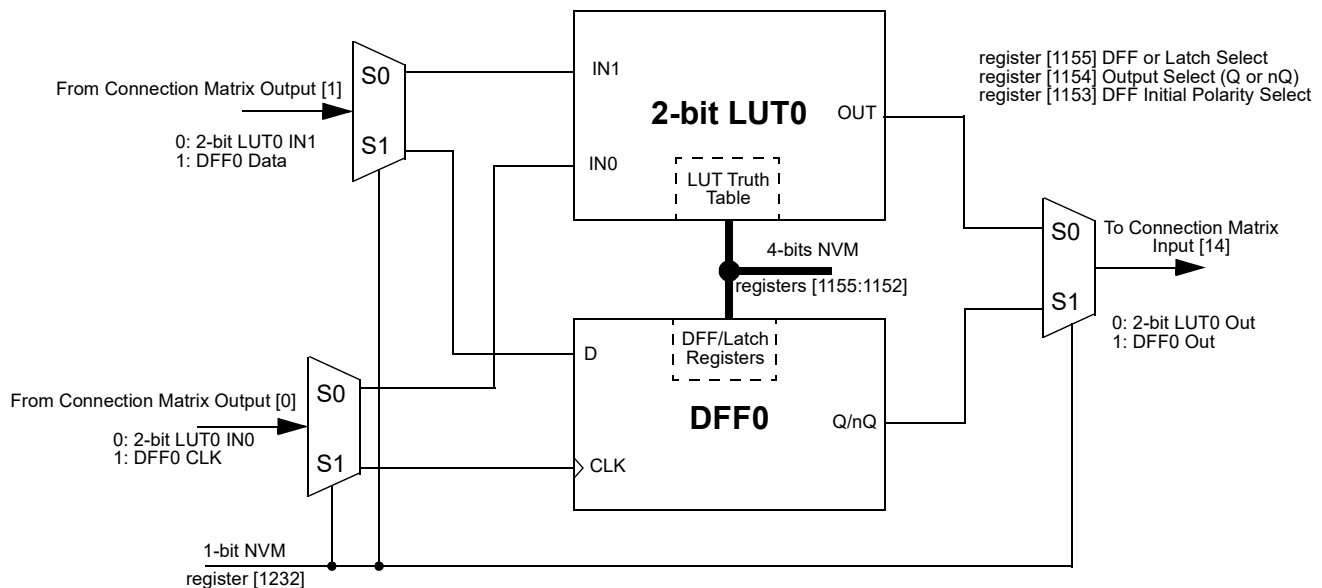


Figure 14: 2-bit LUT0 or DFF0

GreenPAK Programmable Mixed-Signal Matrix with In System Programmability

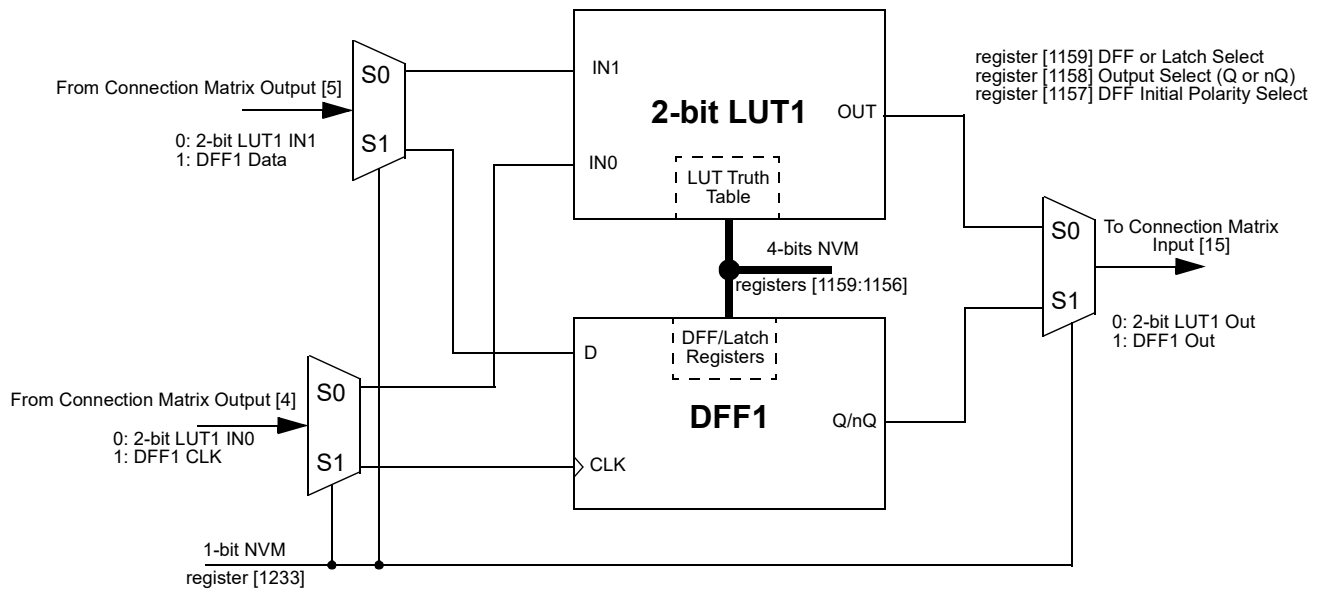


Figure 15: 2-bit LUT1 or DFF1

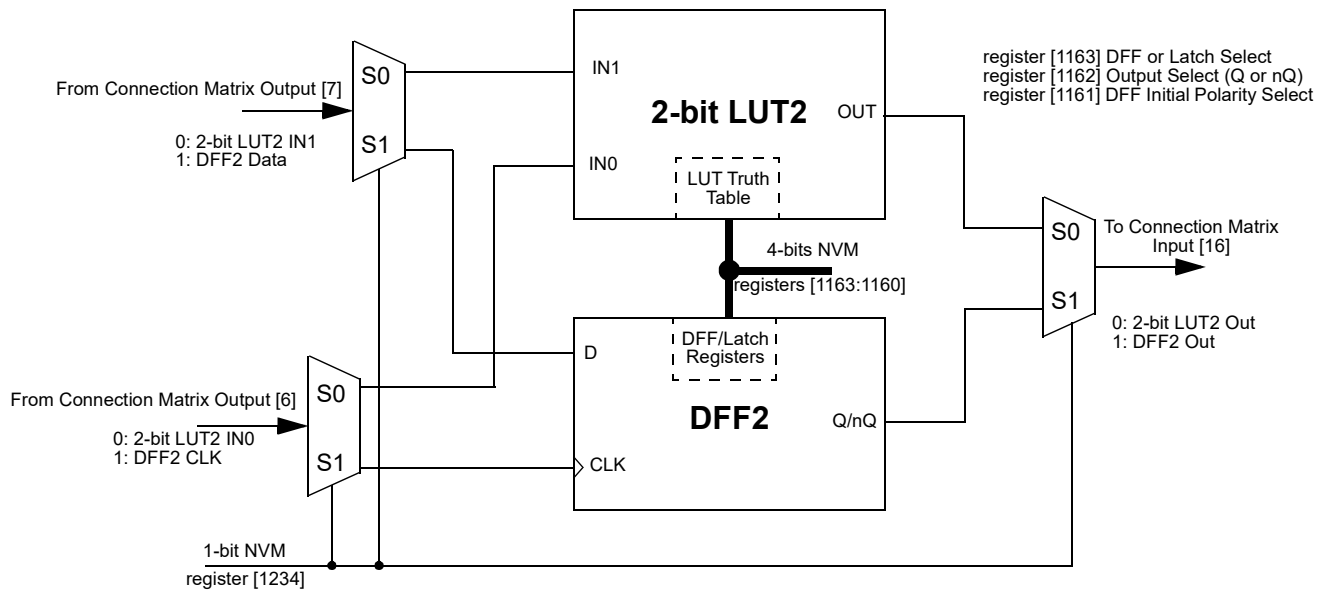


Figure 16: 2-bit LUT2 or DFF2

## GreenPAK Programmable Mixed-Signal Matrix with In System Programmability

### 7.1.1 2-Bit LUT or D Flip-Flop Macrocell Used as 2-Bit LUTT

**Table 20: 2-bit LUT0 Truth Table**

| IN1 | IN0 | OUT             |     |
|-----|-----|-----------------|-----|
| 0   | 0   | register [1152] | LSB |
| 0   | 1   | register [1153] |     |
| 1   | 0   | register [1154] |     |
| 1   | 1   | register [1155] | MSB |

**Table 21: 2-bit LUT1 Truth Table**

| IN1 | IN0 | OUT             |     |
|-----|-----|-----------------|-----|
| 0   | 0   | register [1156] | LSB |
| 0   | 1   | register [1157] |     |
| 1   | 0   | register [1158] |     |
| 1   | 1   | register [1159] | MSB |

**Table 22: 2-bit LUT2 Truth Table**

| IN1 | IN0 | OUT             |     |
|-----|-----|-----------------|-----|
| 0   | 0   | register [1160] | LSB |
| 0   | 1   | register [1161] |     |
| 1   | 0   | register [1162] |     |
| 1   | 1   | register [1163] | MSB |

This macrocell, when programmed for a LUT function, uses a 4-bit register to define their output function:

*2-Bit LUT0 is defined by registers [1155:1152]*

*2-Bit LUT1 is defined by registers [1159:1156]*

*2-Bit LUT2 is defined by registers [1163:1160]*

Table 23 shows the register bits for the standard digital logic devices (AND, NAND, OR, NOR, XOR, XNOR) that can be created within each of the 2-bit LUT logic cells.

**Table 23: 2-bit LUT Standard Digital Functions**

| Function | MSB |   |   | LSB |
|----------|-----|---|---|-----|
| AND-2    | 1   | 0 | 0 | 0   |
| NAND-2   | 0   | 1 | 1 | 1   |
| OR-2     | 1   | 1 | 1 | 0   |
| NOR-2    | 0   | 0 | 0 | 1   |
| XOR-2    | 0   | 1 | 1 | 0   |
| XNOR-2   | 1   | 0 | 0 | 1   |

## GreenPAK Programmable Mixed-Signal Matrix with In System Programmability

### 7.1.2 Initial Polarity Operations

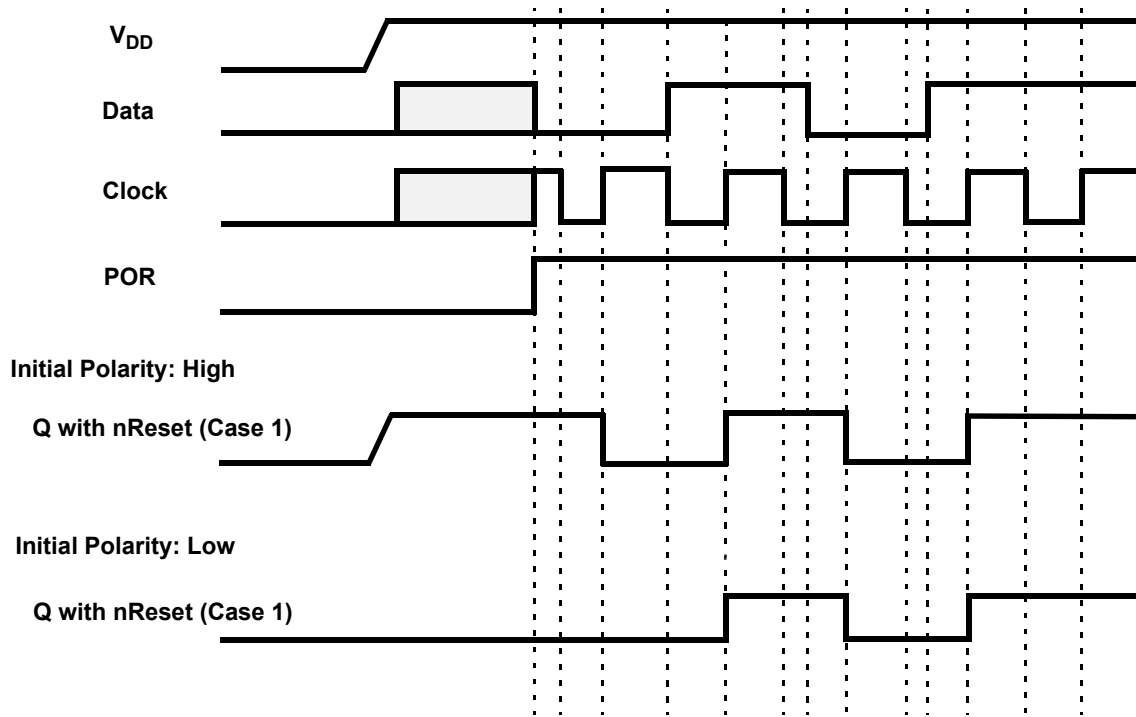


Figure 17: DFF Polarity Operations

### 7.2 2-BIT LUT OR PROGRAMMABLE PATTERN GENERATOR

The SLG46824 has one combination function macrocell that can serve as a logic or timing function. This macrocell can serve as a Look Up Table (LUT), or Programmable Pattern Generator (PGen).

When used to implement LUT functions, the 2-bit LUT takes in two input signals from the connection matrix and produces a single output, which goes back into the connection matrix. When used as a LUT to implement combinatorial logic functions, the outputs of the LUT can be configured to any user defined function, including the following standard digital logic devices (AND, NAND, OR, NOR, XOR, XNOR). The user can also define the combinatorial relationship between inputs and outputs to be any selectable function.

When operating as a Programmable Pattern Generator, the output of the macrocell with clock out a sequence of two to sixteen bits that are user selectable in their bit values, and user selectable in the number of bits (up to sixteen) that are output before the pattern repeats.

GreenPAK Programmable Mixed-Signal Matrix with In System Programmability

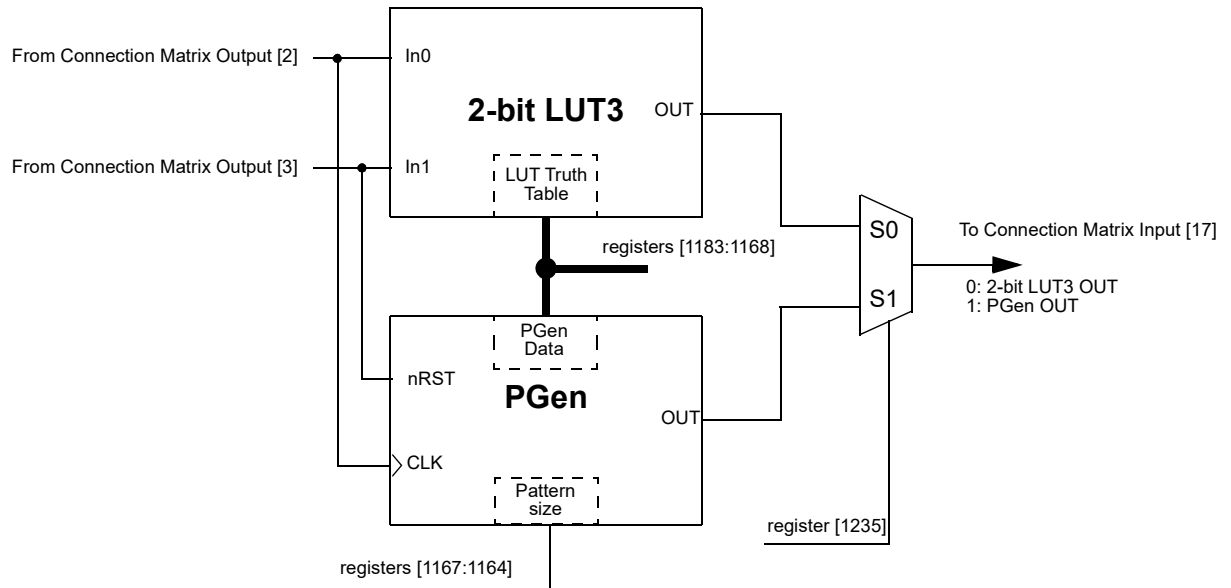


Figure 18: 2-bit LUT3 or PGen

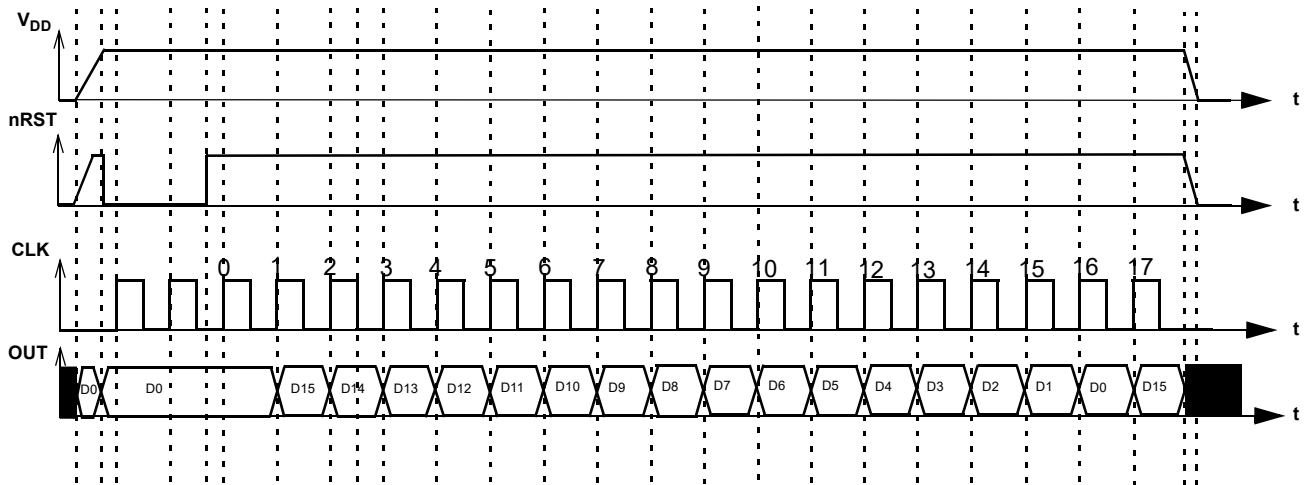


Figure 19: PGen Timing Diagram

## GreenPAK Programmable Mixed-Signal Matrix with In System Programmability

### 7.2.1 2-Bit LUT or PGen Macrocell Used as 2-Bit LUT

**Table 24: 2-bit LUT1 Truth Table**

| IN1 | IN0 | OUT             |     |
|-----|-----|-----------------|-----|
| 0   | 0   | register [1164] | LSB |
| 0   | 1   | register [1165] |     |
| 1   | 0   | register [1166] |     |
| 1   | 1   | register [1167] | MSB |

This macrocell, when programmed for a LUT function, uses a 4-bit register to define their output function:

*2-Bit LUT3 is defined by registers [1167:1164]*

Table 25 shows the register bits for the standard digital logic devices (AND, NAND, OR, NOR, XOR, XNOR) that can be created within each of the 2-bit LUT logic cells.

**Table 25: 2-bit LUT Standard Digital Functions**

| Function | MSB |   |   | LSB |
|----------|-----|---|---|-----|
| AND-2    | 1   | 0 | 0 | 0   |
| NAND-2   | 0   | 1 | 1 | 1   |
| OR-2     | 1   | 1 | 1 | 0   |
| NOR-2    | 0   | 0 | 0 | 1   |
| XOR-2    | 0   | 1 | 1 | 0   |
| XNOR-2   | 1   | 0 | 0 | 1   |

### 7.3 3-BIT LUT OR D FLIP-FLOP WITH SET/RESET MACROCELLS

There are six macrocells that can serve as either 3-bit LUTs or as D Flip-Flops with Set/Reset inputs. When used to implement LUT functions, the 3-bit LUTs each take in three input signals from the connection matrix and produce a single output, which goes back into the connection matrix. When used to implement D Flip-Flop function, the three input signals from the connection matrix go to the data (D) and clock (CLK), and Reset/Set (nRST/nSET) inputs for the Flip-Flop, with the output going back to the connection matrix.

DFF3 operation is described below:

- If register [1237] = 0, and the CLK is rising edge triggered, then Q = D, otherwise Q will not change
- If register [1237] = 1, then data from D is written into the DFF by the rising edge on CLK and output to Q by the falling edge on CLK.



GreenPAK Programmable Mixed-Signal Matrix with In System Programmability

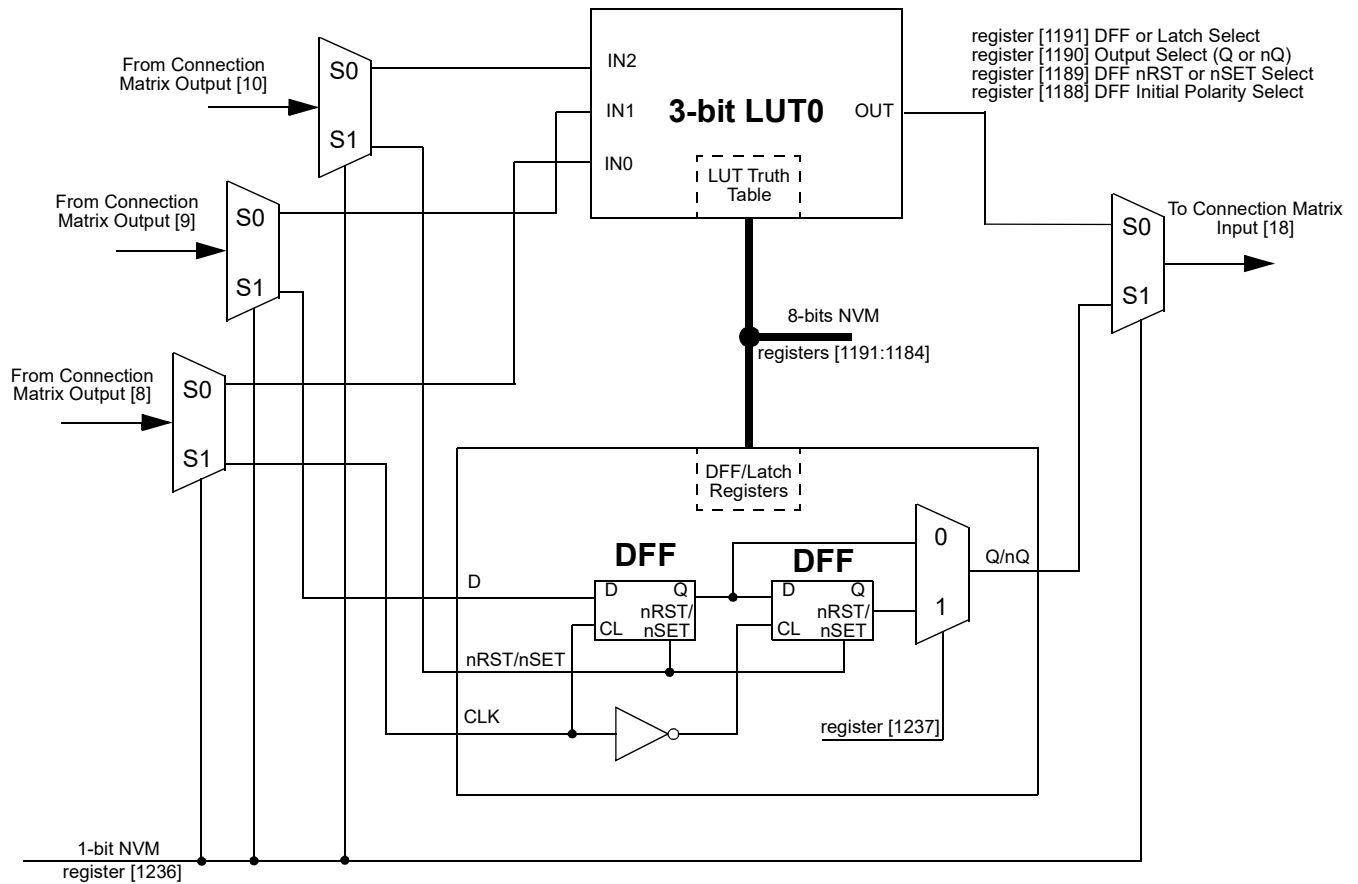


Figure 20: 3-bit LUT0 or DFF3

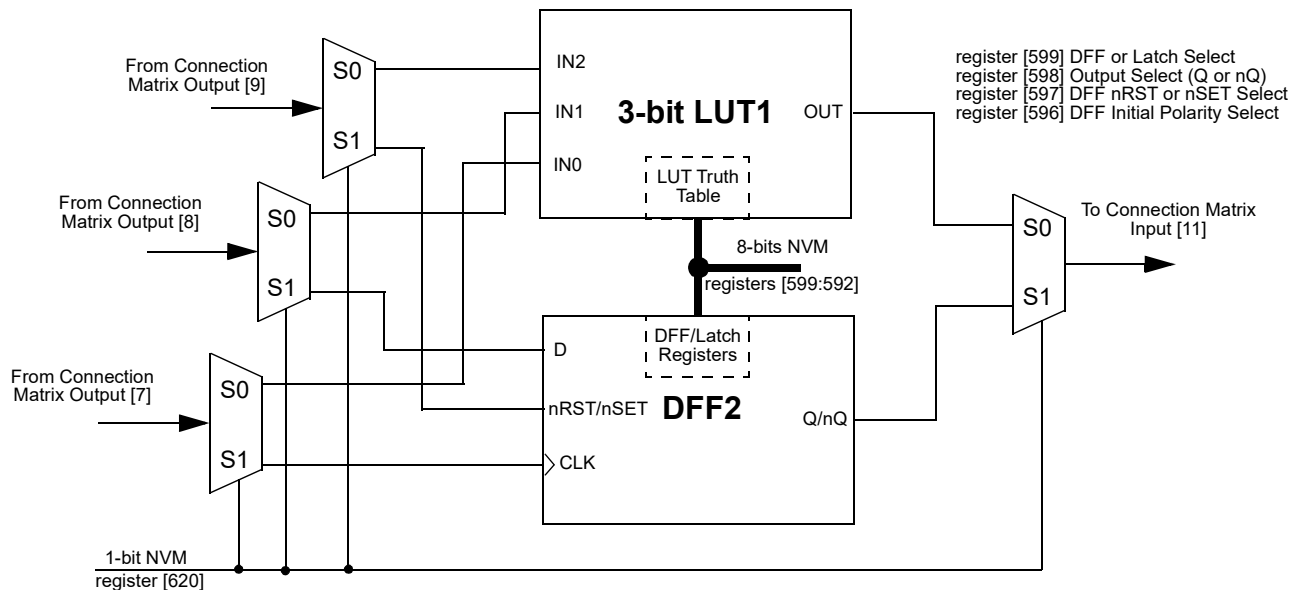
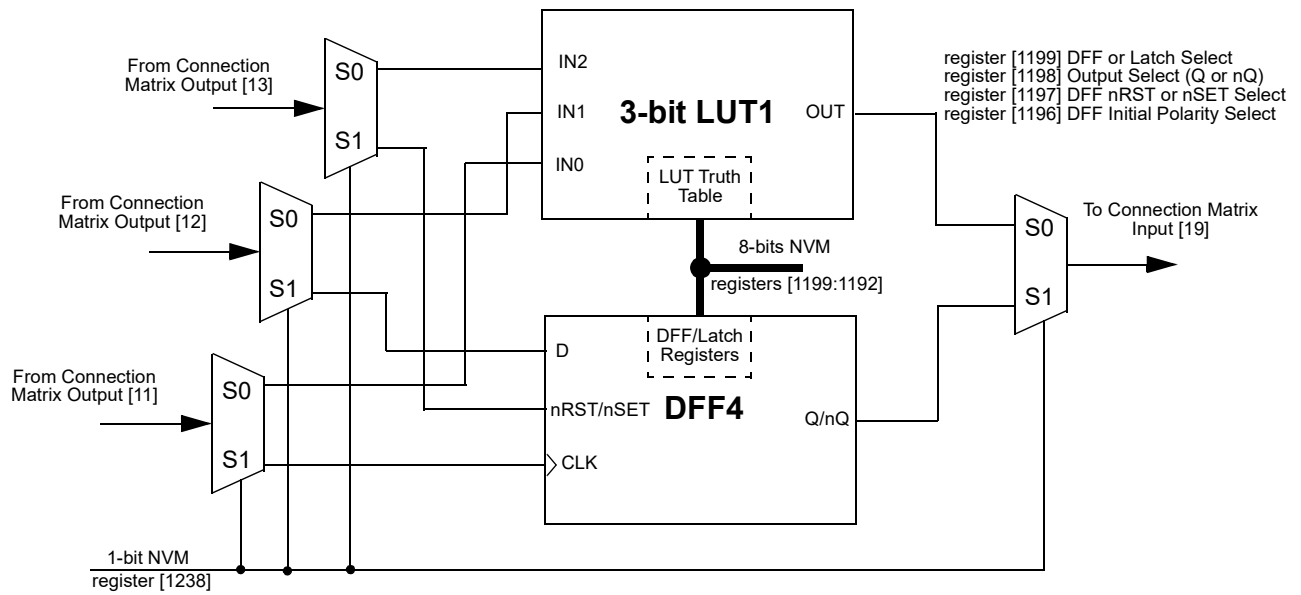
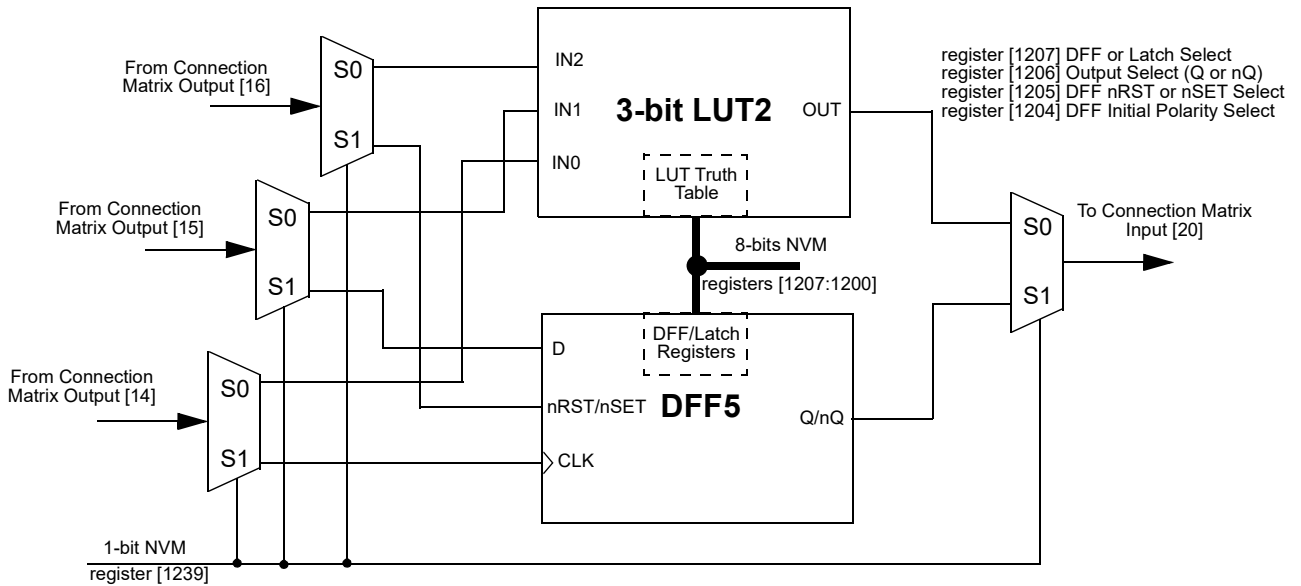


Figure 21: 3-bit LUT1 or DFF2

**GreenPAK Programmable Mixed-Signal Matrix with In System Programmability**



**Figure 22: 3-bit LUT1 or DFF4**



**Figure 23: 3-bit LUT2 or DFF5**

GreenPAK Programmable Mixed-Signal Matrix with In System Programmability

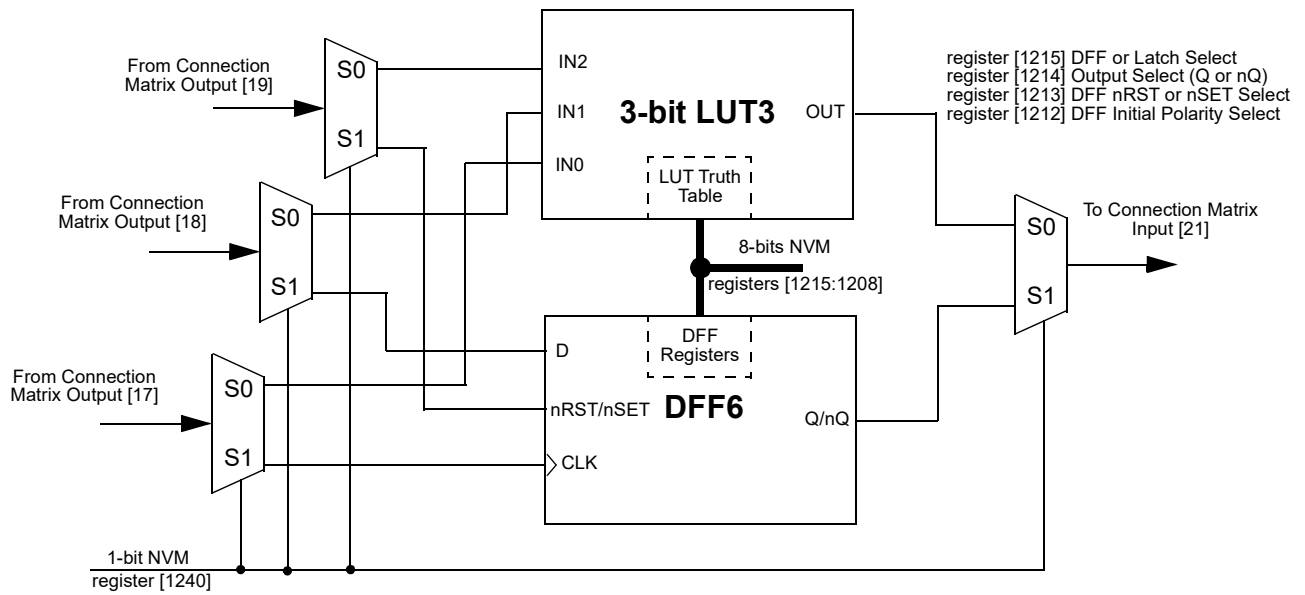


Figure 24: 3-bit LUT3 or DFF6

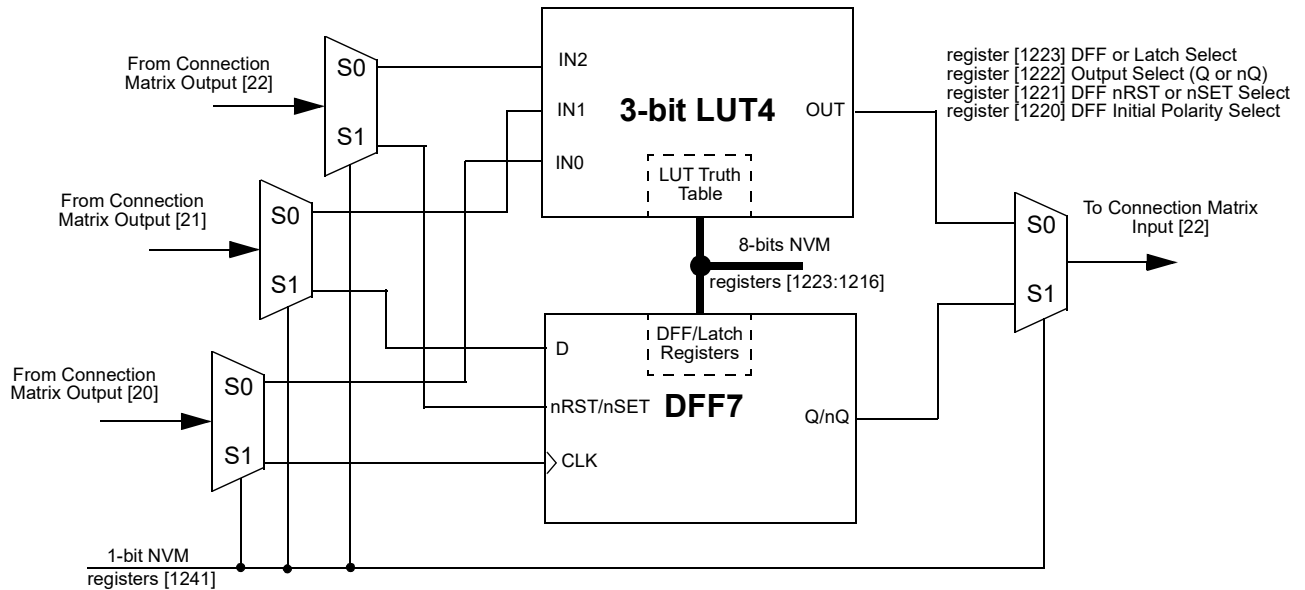


Figure 25: 3-bit LUT4 or DFF7

GreenPAK Programmable Mixed-Signal Matrix with In System Programmability

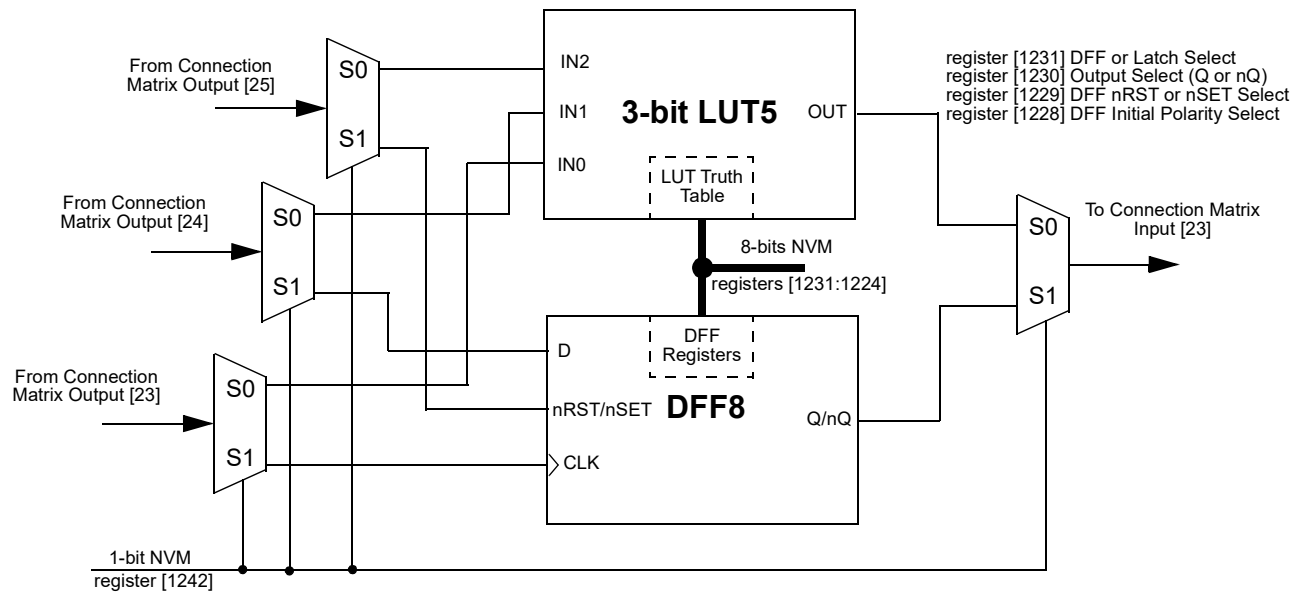


Figure 26: 3-bit LUT5 or DFF8

## GreenPAK Programmable Mixed-Signal Matrix with In System Programmability

### 7.3.1 3-Bit LUT or D Flip-Flop Macrocells Used as 3-Bit LUTs

**Table 26: 3-bit LUT0 Truth Table**

| IN2 | IN1 | IN0 | OUT             |     |
|-----|-----|-----|-----------------|-----|
| 0   | 0   | 0   | register [1184] | LSB |
| 0   | 0   | 1   | register [1185] |     |
| 0   | 1   | 0   | register [1186] |     |
| 0   | 1   | 1   | register [1187] |     |
| 1   | 0   | 0   | register [1188] |     |
| 1   | 0   | 1   | register [1189] |     |
| 1   | 1   | 0   | register [1190] |     |
| 1   | 1   | 1   | register [1191] | MSB |

**Table 27: 3-bit LUT1 Truth Table**

| IN2 | IN1 | IN0 | OUT             |     |
|-----|-----|-----|-----------------|-----|
| 0   | 0   | 0   | register [1192] | LSB |
| 0   | 0   | 1   | register [1193] |     |
| 0   | 1   | 0   | register [1194] |     |
| 0   | 1   | 1   | register [1195] |     |
| 1   | 0   | 0   | register [1196] |     |
| 1   | 0   | 1   | register [1197] |     |
| 1   | 1   | 0   | register [1198] |     |
| 1   | 1   | 1   | register [1199] | MSB |

**Table 28: 3-bit LUT2 Truth Table**

| IN2 | IN1 | IN0 | OUT             |     |
|-----|-----|-----|-----------------|-----|
| 0   | 0   | 0   | register [1200] | LSB |
| 0   | 0   | 1   | register [1201] |     |
| 0   | 1   | 0   | register [1202] |     |
| 0   | 1   | 1   | register [1203] |     |
| 1   | 0   | 0   | register [1204] |     |
| 1   | 0   | 1   | register [1205] |     |
| 1   | 1   | 0   | register [1206] |     |
| 1   | 1   | 1   | register [1207] | MSB |

**Table 29: 3-bit LUT3 Truth Table**

| IN2 | IN1 | IN0 | OUT             |     |
|-----|-----|-----|-----------------|-----|
| 0   | 0   | 0   | register [1208] | LSB |
| 0   | 0   | 1   | register [1209] |     |
| 0   | 1   | 0   | register [1210] |     |
| 0   | 1   | 1   | register [1211] |     |
| 1   | 0   | 0   | register [1212] |     |
| 1   | 0   | 1   | register [1213] |     |
| 1   | 1   | 0   | register [1214] |     |
| 1   | 1   | 1   | register [1215] | MSB |

**Table 30: 3-bit LUT4 Truth Table**

| IN2 | IN1 | IN0 | OUT             |     |
|-----|-----|-----|-----------------|-----|
| 0   | 0   | 0   | register [1216] | LSB |
| 0   | 0   | 1   | register [1217] |     |
| 0   | 1   | 0   | register [1218] |     |
| 0   | 1   | 1   | register [1219] |     |
| 1   | 0   | 0   | register [1220] |     |
| 1   | 0   | 1   | register [1221] |     |
| 1   | 1   | 0   | register [1222] |     |
| 1   | 1   | 1   | register [1223] | MSB |

**Table 31: 3-bit LUT5 Truth Table**

| IN2 | IN1 | IN0 | OUT             |     |
|-----|-----|-----|-----------------|-----|
| 0   | 0   | 0   | register [1224] | LSB |
| 0   | 0   | 1   | register [1225] |     |
| 0   | 1   | 0   | register [1226] |     |
| 0   | 1   | 1   | register [1227] |     |
| 1   | 0   | 0   | register [1228] |     |
| 1   | 0   | 1   | register [1229] |     |
| 1   | 1   | 0   | register [1230] |     |
| 1   | 1   | 1   | register [1231] | MSB |

Each macrocell, when programmed for a LUT function, uses a 8-bit register to define their output function:

*3-Bit LUT0 is defined by registers [1191:1184]*

*3-Bit LUT1 is defined by registers [1199:1192]*

*3-Bit LUT2 is defined by registers [1207:1200]*

*3-Bit LUT3 is defined by registers [1215:1208]*

*3-Bit LUT4 is defined by registers [1223:1216]*

*3-Bit LUT5 is defined by registers [1231:1224]*

## GreenPAK Programmable Mixed-Signal Matrix with In System Programmability

Table 32 shows the register bits for the standard digital logic devices (AND, NAND, OR, NOR, XOR, XNOR) that can be created within each of the four 3-bit LUT logic cells.

**Table 32: 3-bit LUT Standard Digital Functions**

| Function | MSB |   |   |   |   |   |   | LSB |
|----------|-----|---|---|---|---|---|---|-----|
| AND-3    | 1   | 0 | 0 | 0 | 0 | 0 | 0 | 0   |
| NAND-3   | 0   | 1 | 1 | 1 | 1 | 1 | 1 | 1   |
| OR-3     | 1   | 1 | 1 | 1 | 1 | 1 | 1 | 0   |
| NOR-3    | 0   | 0 | 0 | 0 | 0 | 0 | 0 | 1   |
| XOR-3    | 1   | 0 | 0 | 1 | 0 | 1 | 1 | 0   |
| XNOR-3   | 0   | 1 | 1 | 0 | 1 | 0 | 0 | 1   |

GreenPAK Programmable Mixed-Signal Matrix with In System Programmability

7.3.2 Initial Polarity Operations

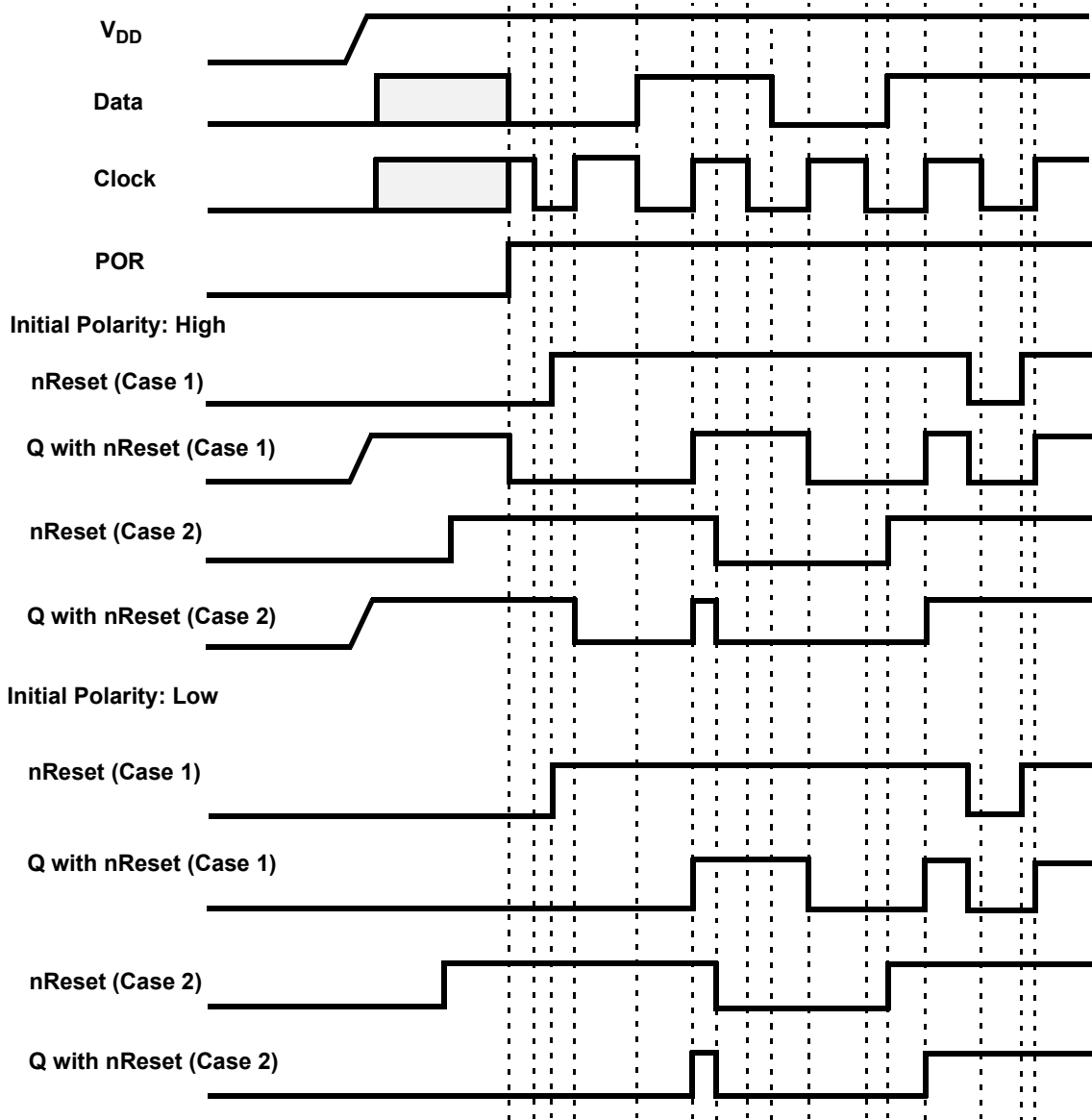


Figure 27: DFF Polarity Operations with nReset

## GreenPAK Programmable Mixed-Signal Matrix with In System Programmability

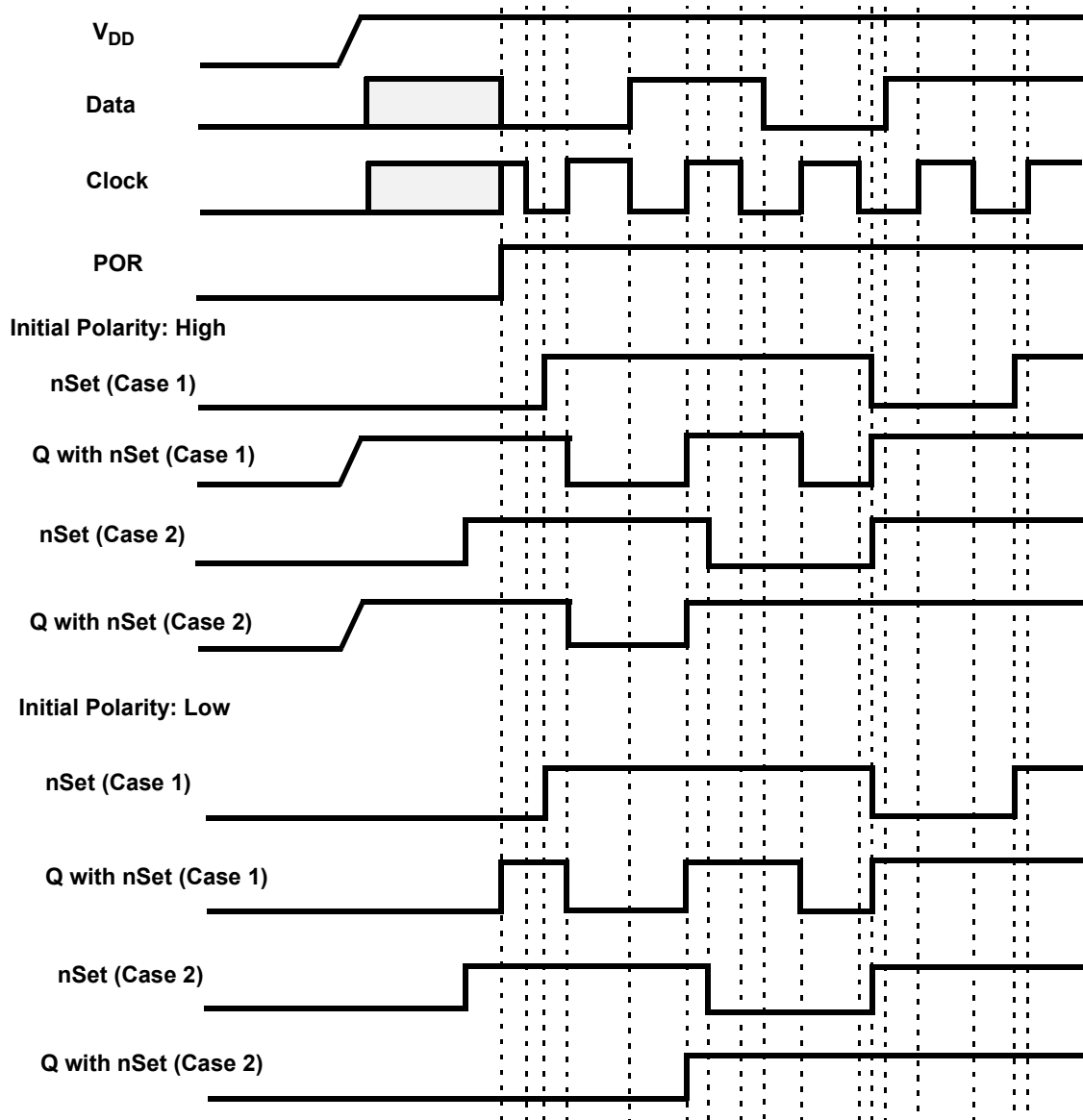


Figure 28: DFF Polarity Operations with nSet

### 7.4 3-BIT LUT OR PIPE DELAY/RIPPLE COUNTER MACROCELL

There is one macrocell that can serve as either a 3-bit LUT or as a Pipe Delay/Ripple Counter.

When used to implement LUT functions, the 3-bit LUT takes in three input signals from the connection matrix and produces a single output, which goes back into the connection matrix.

When used as a Pipe Delay, there are three input signals from the matrix, Input (IN), Clock (CLK), and Reset (nRST). The Pipe Delay cell is built from 16 D Flip-Flop logic cells that provide the three delay options, two of which are user selectable. The DFF cells are tied in series where the output (Q) of each delay cell goes to the next DFF cell input (IN). Both of the two outputs (OUT0 and OUT1) provide user selectable options for 1 to 16 stages of delay. There are delay output points for each set of the OUT0 and OUT1 outputs to a 4-input mux that is controlled by registers [1251:1248] for OUT0 and registers [1255:1252] for OUT1. The 4-input mux is used to control the selection of the amount of delay.



## GreenPAK Programmable Mixed-Signal Matrix with In System Programmability

The overall time of the delay is based on the clock used in the SLG46824 design. Each DFF cell has a time delay of the inverse of the clock time (either external clock or the internal Oscillator within the SLG46824). The sum of the number of DFF cells used will be the total time delay of the Pipe Delay logic cell. OUT1 Output can be inverted (as selected by register [1256]).

In the Ripple Counter mode, there are 3 options for setting, which use 7 bits. There are 3 bits to set **nSET value (SV)** in range from 0 to 7. It is a value, which will be set into the Ripple Counter outputs when nSET input goes LOW. **End value (EV)** will use 3 bits for setting outputs code, which will be last code in the cycle. After reaching the EV, the Ripple Counter goes to the first code by the rising edge on CLK input. The **Functionality mode** option uses 1 bit. This setting defines how exactly Ripple Counter will operate.

The user can select one of the functionality modes by register: RANGE or FULL. If the RANGE option is selected, the count starts from SV. If UP input is LOW the count goes down:  $SV \rightarrow EV \rightarrow EV-1$  to  $SV+1 \rightarrow SV$  and others (if SV is smaller than EV), or  $SV \rightarrow SV-1$  to  $EV+1 \rightarrow EV \rightarrow SV$  (if SV is bigger than EV). If UP input is HIGH, count starts from SV up to EV and others.

In the FULL range configuration the Ripple Counter functions as follows. If UP input is LOW, the count starts from SV and goes down to 0. Then current counter value jumps to EV and goes down to 0 etc.

If UP input is HIGH, count goes up starting from SV. Then current counter value jumps to 0 and counts up to EV and others. See Ripple Counter functionality example in [Figure 30](#).

Every step is executed by the rising edge on CLK input.

GreenPAK Programmable Mixed-Signal Matrix with In System Programmability

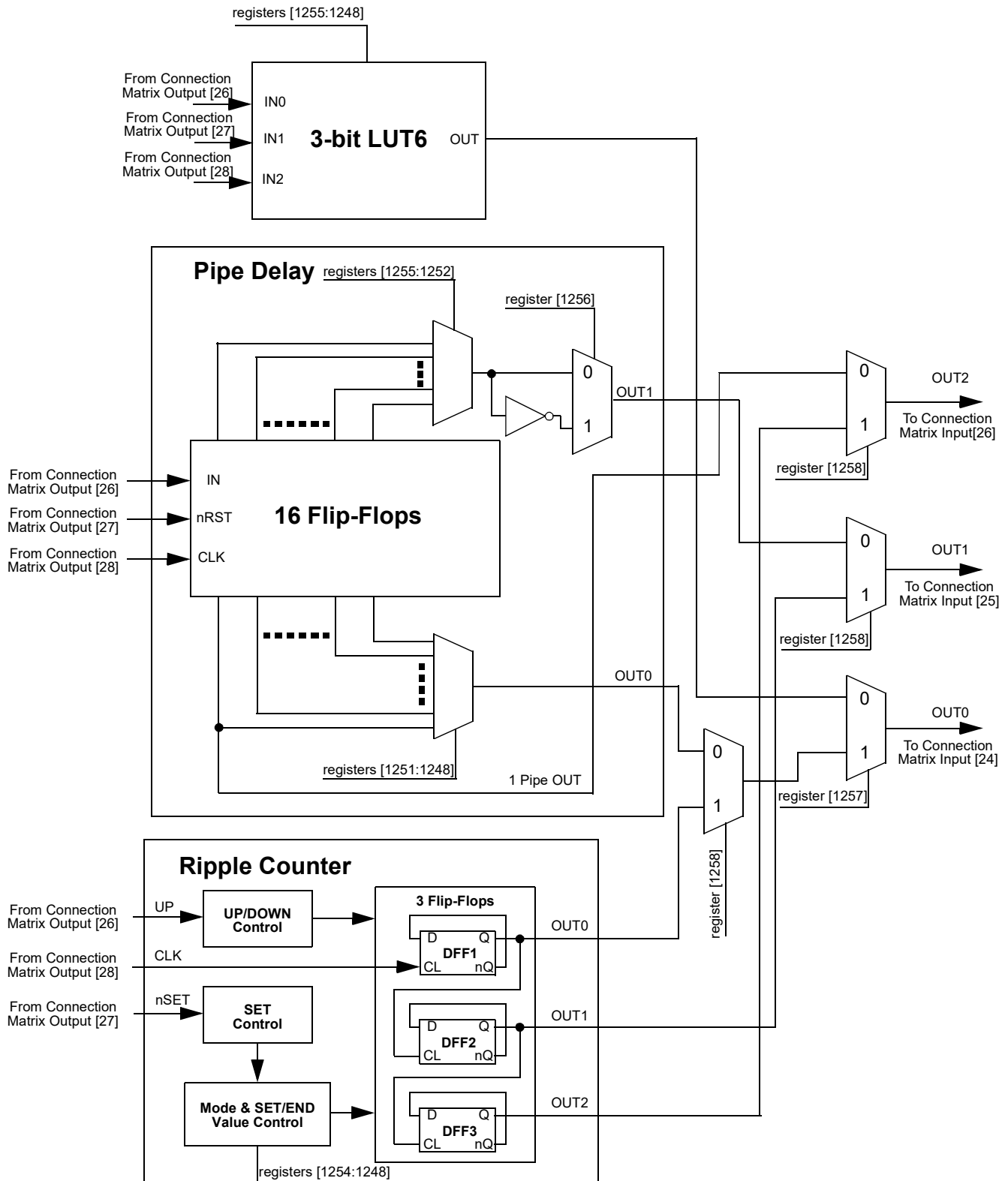


Figure 29: 3-bit LUT6/Pipe Delay/Ripple Counter

# GreenPAK Programmable Mixed-Signal Matrix with In System Programmability

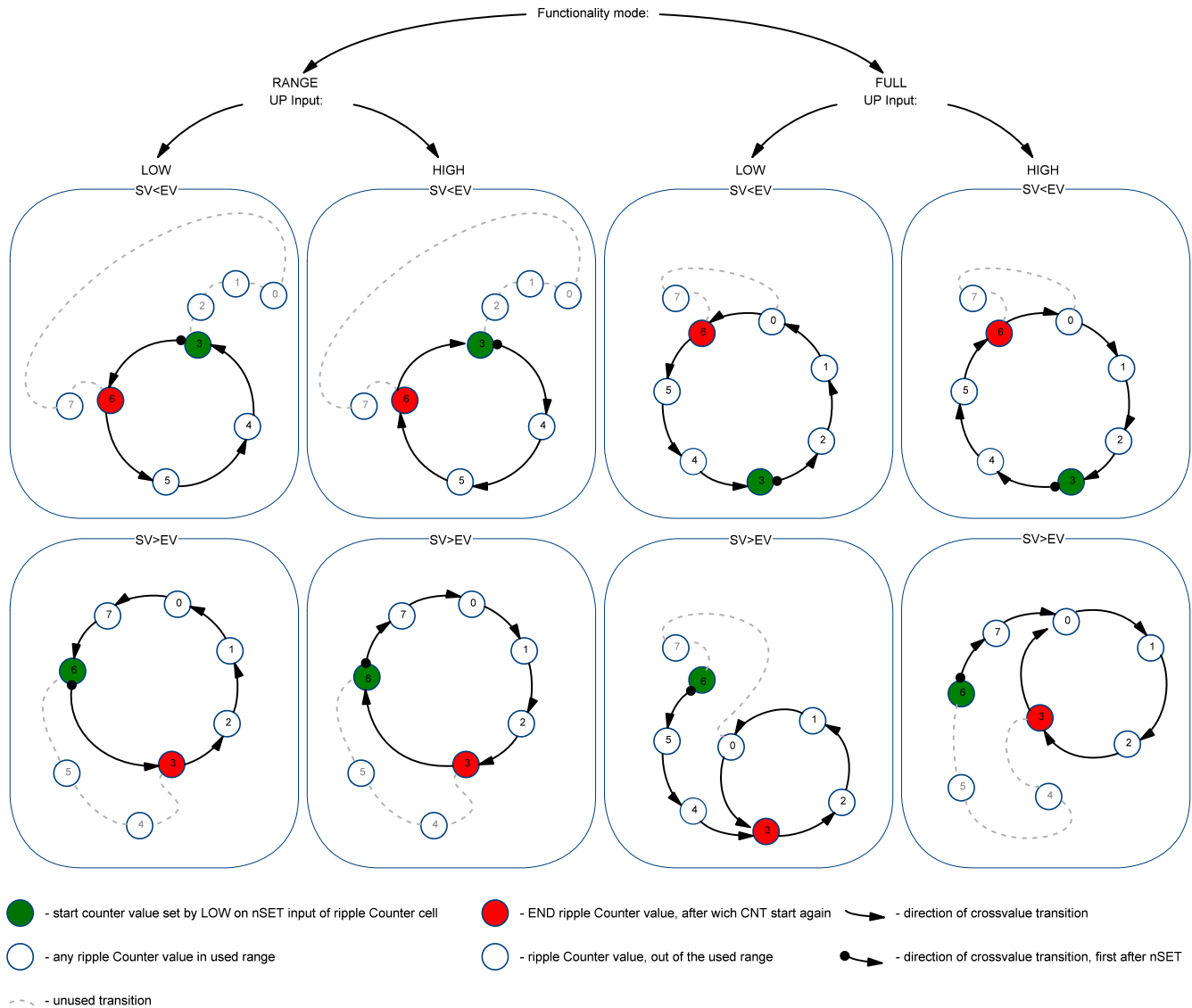


Figure 30: Example: Ripple Counter Functionality

## 7.4.1 3-Bit LUT or Pipe Delay Macrocells Used as 3-Bit LUT

Table 33: 3-bit LUT6 Truth Table

| IN2 | IN1 | IN0 | OUT             |
|-----|-----|-----|-----------------|
| 0   | 0   | 0   | register [1248] |
| 0   | 0   | 1   | register [1249] |
| 0   | 1   | 0   | register [1250] |
| 0   | 1   | 1   | register [1251] |
| 1   | 0   | 0   | register [1252] |
| 1   | 0   | 1   | register [1253] |
| 1   | 1   | 0   | register [1254] |
| 1   | 1   | 1   | register [1255] |

---

## GreenPAK Programmable Mixed-Signal Matrix with In System Programmability

Each macrocell, when programmed for a LUT function, uses a 8-bit register to define their output function:

*3-Bit LUT6 is defined by registers [1255:1248]*

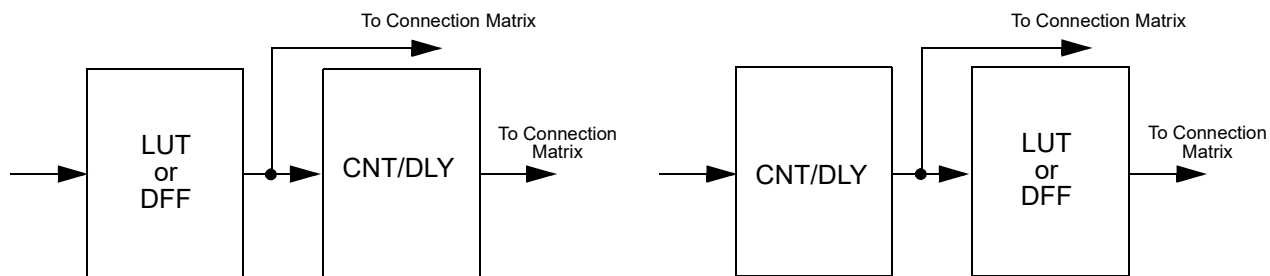
## GreenPAK Programmable Mixed-Signal Matrix with In System Programmability

### 8 Multi-Function Macrocells

The SLG46824 has 8 Multi-Function macrocells that can serve more than one logic or timing function. In each case, they can serve as a LUT, DFF with flexible settings, or as CNT/DLY with multiple modes such as One Shot, Frequency Detect, Edge Detect, and others. Also, the macrocell is capable to combine those functions: LUT/DFF connected to CNT/DLY or CNT/DLY connected to LUT/DFF, see [Figure 31](#).

See the list below for the functions that can be implemented in these macrocells:

- Seven macrocells that can serve as 3-bit LUTs/D Flip-Flops and as 8-Bit Counter/Delays
- One macrocell that can serve as a 4-bit LUT/D Flip-Flop and as 16-Bit Counter/Delay/FSM



**Figure 31: Possible Connections Inside Multi-Function Macrocell**

Inputs/Outputs for the 8 Multi-Function macrocells are configured from the connection matrix with specific logic functions being defined by the state of NVM bits.

When used as a LUT to implement combinatorial logic functions, the outputs of the LUTs can be configured to any user defined function, including the following standard digital logic devices (AND, NAND, OR, NOR, XOR, XNOR).

#### 8.1 3-BIT LUT OR 8-BIT COUNTER/DELAY MACROCELLS

There are seven macrocells that can serve as 3-bit LUTs/D Flip-Flops and as 8-Bit Counter/Delays.

When used to implement LUT functions, the 3-bit LUTs each take in three input signals from the connection matrix and produce a single output, which goes back into the connection matrix or can be connected to CNT/DLY's input.

When used to implement D Flip-Flop function, the three input signals from the connection matrix go to the data (D), clock (CLK), and Reset/Set (nRST/nSET) inputs of the Flip-Flop, with the output going back to the connection matrix or to the CNT/DLY's input.

When used to implement Counter/Delays, each macrocell has a dedicated matrix input connection. For flexibility, each of these macrocells has a large selection of internal and external clock sources, as well as the option to chain from the output of the previous (N-1) CNT/DLY macrocell, to implement longer count/delay circuits. These macrocells can also operate in a One-Shot mode, which will generate an output pulse of user-defined width. They can also operate in a Frequency Detection or Edge Detection mode.

Counter/Delay macrocell has an initial value, which define its initial value after GPAK is powered up. It is possible to select initial Low or initial High, as well as initial value defined by a Delay In signal.

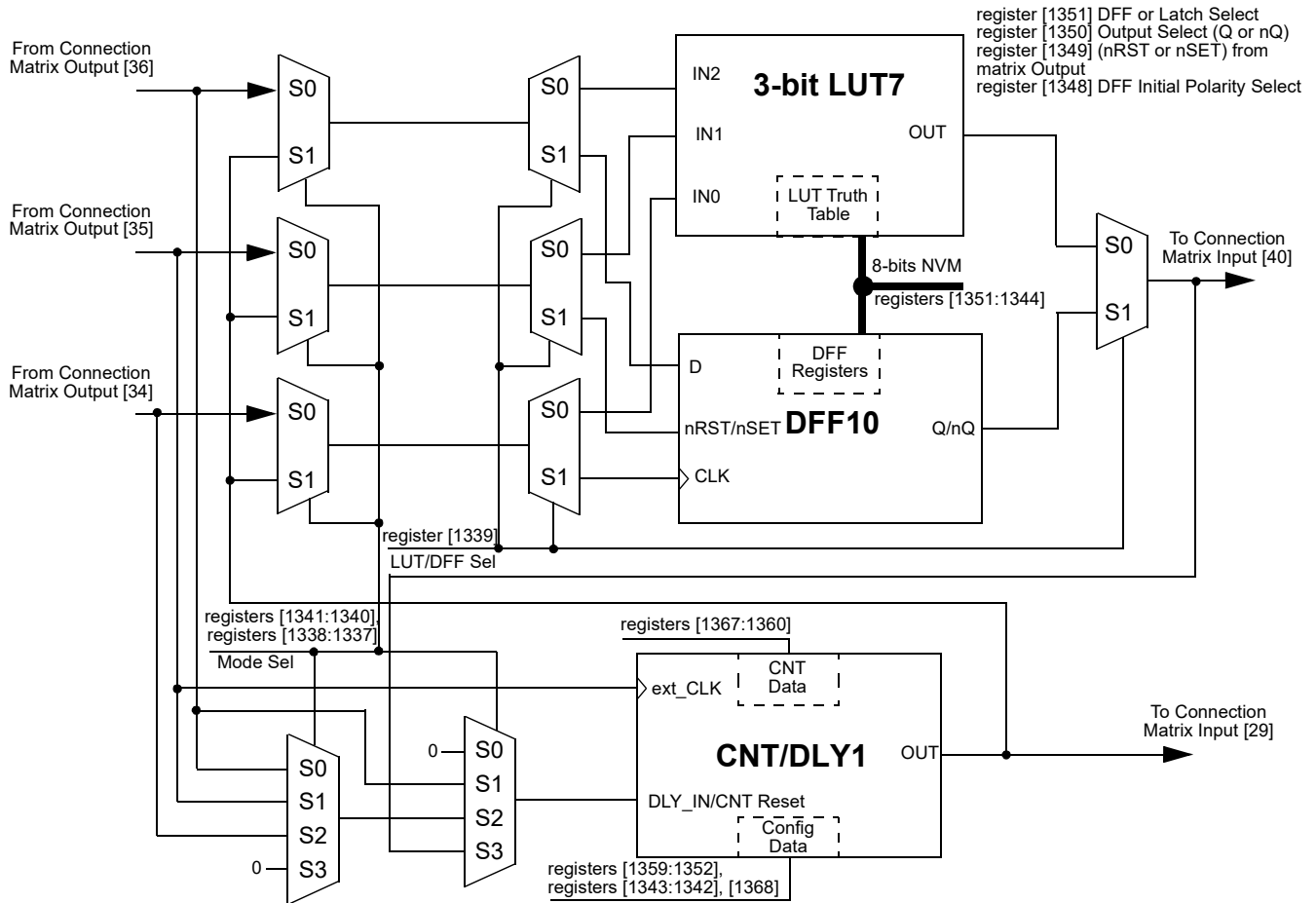
For example, in case initial LOW option is used, the rising edge delay will start operation.

For timing diagrams refer to [Section 8.2](#).

Three of eight macrocells can have their active count value read/write via I<sup>2</sup>C (CNT0, CNT2, and CNT4). In this mode, it is possible to load count data immediately (plus two clock cycles) or after counter ends counting. See [Section 15.6.1](#) for further details.

# GreenPAK Programmable Mixed-Signal Matrix with In System Programmability

## 8.1.1 3-Bit LUT or 8-Bit CNT/DLY Block Diagrams



**Figure 32: 8-bit Multi-Function Macrocells Block Diagram (3-bit LUT7/DFF10, CNT/DLY1)**

GreenPAK Programmable Mixed-Signal Matrix with In System Programmability

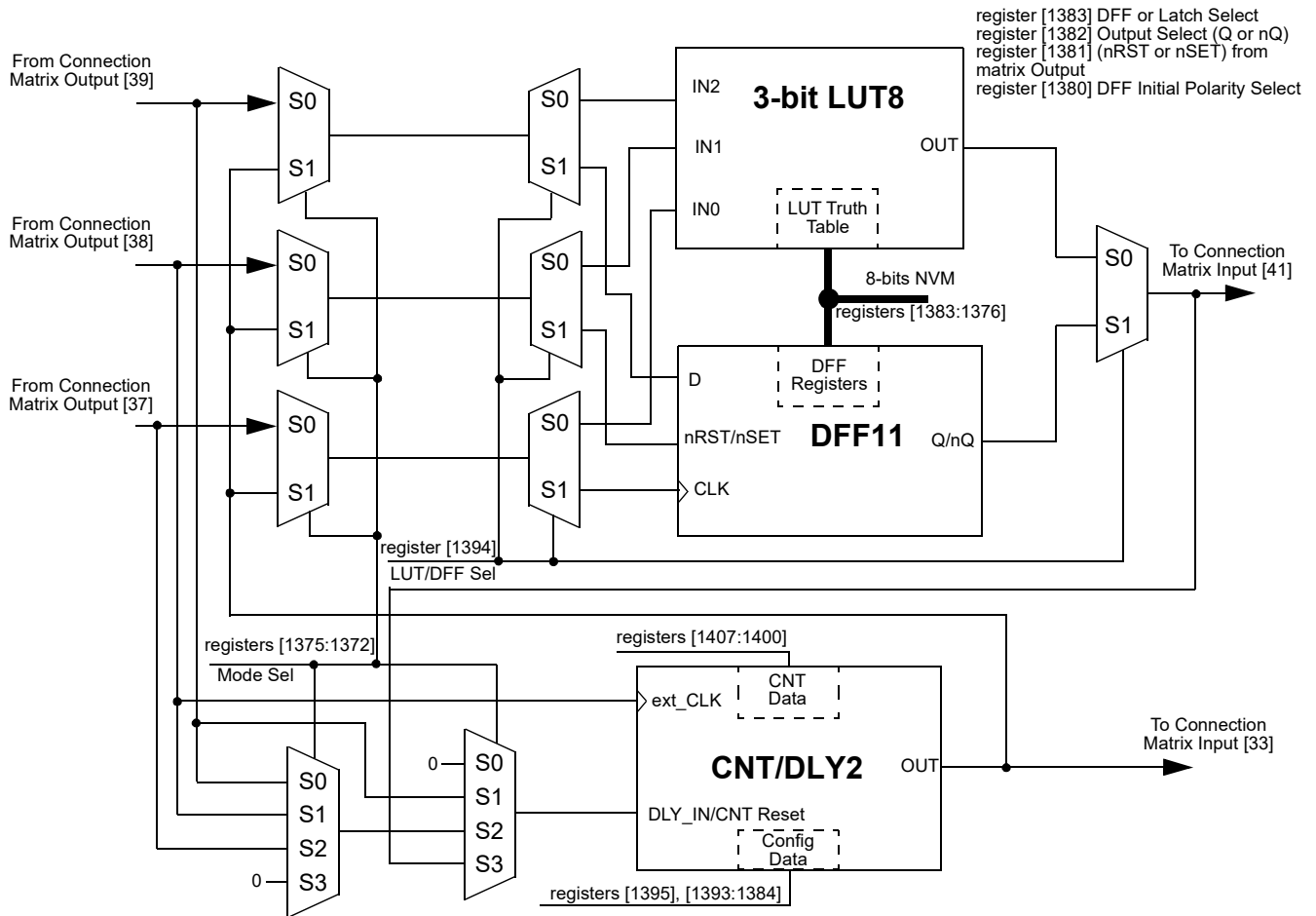


Figure 33: 8-bit Multi-Function Macrocells Block Diagram (3-bit LUT8/DFF11, CNT/DLY2)

GreenPAK Programmable Mixed-Signal Matrix with In System Programmability

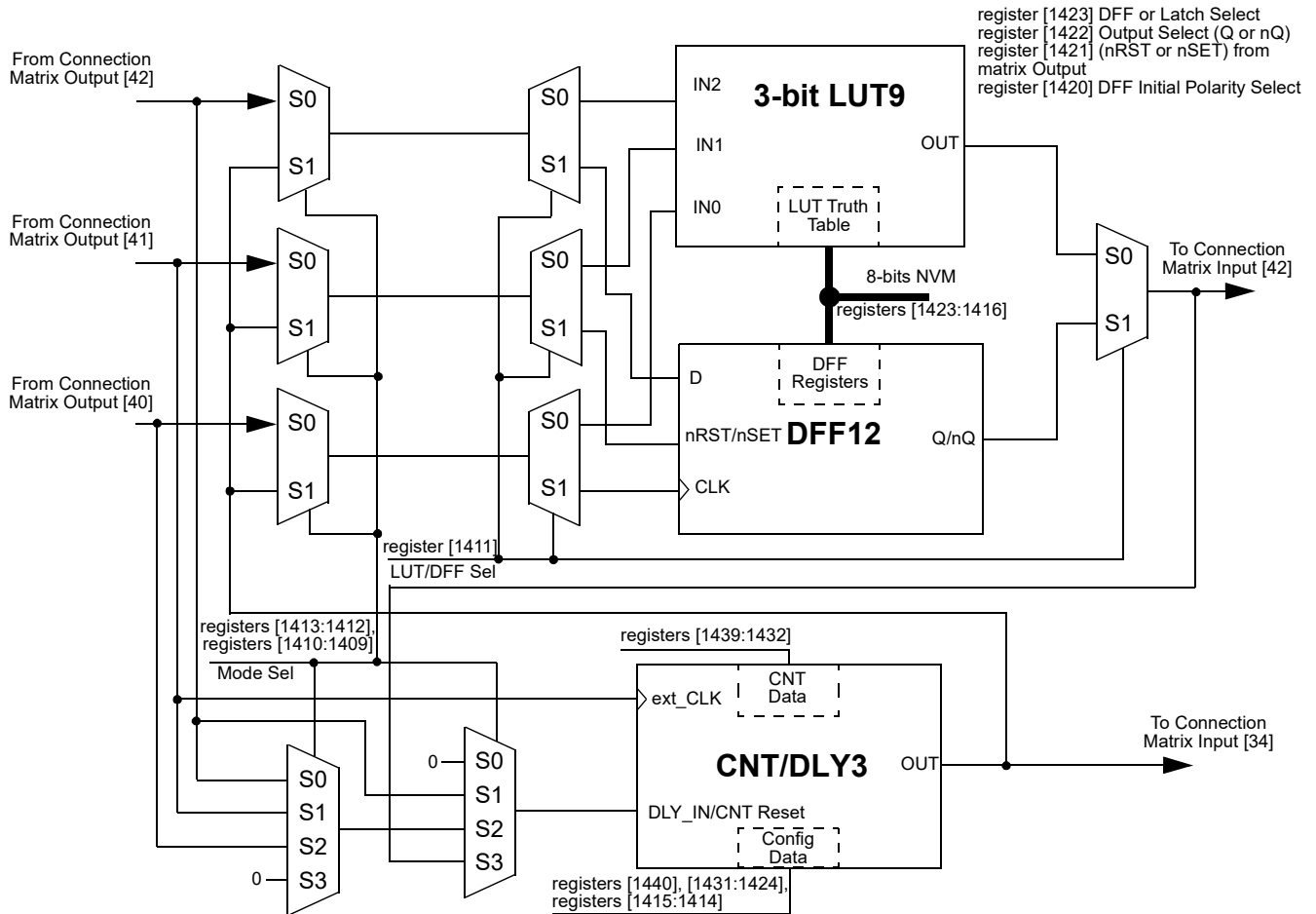


Figure 34: 8-bit Multi-Function Macrocells Block Diagram (3-bit LUT9/DFF12, CNT/DLY3)



GreenPAK Programmable Mixed-Signal Matrix with In System Programmability

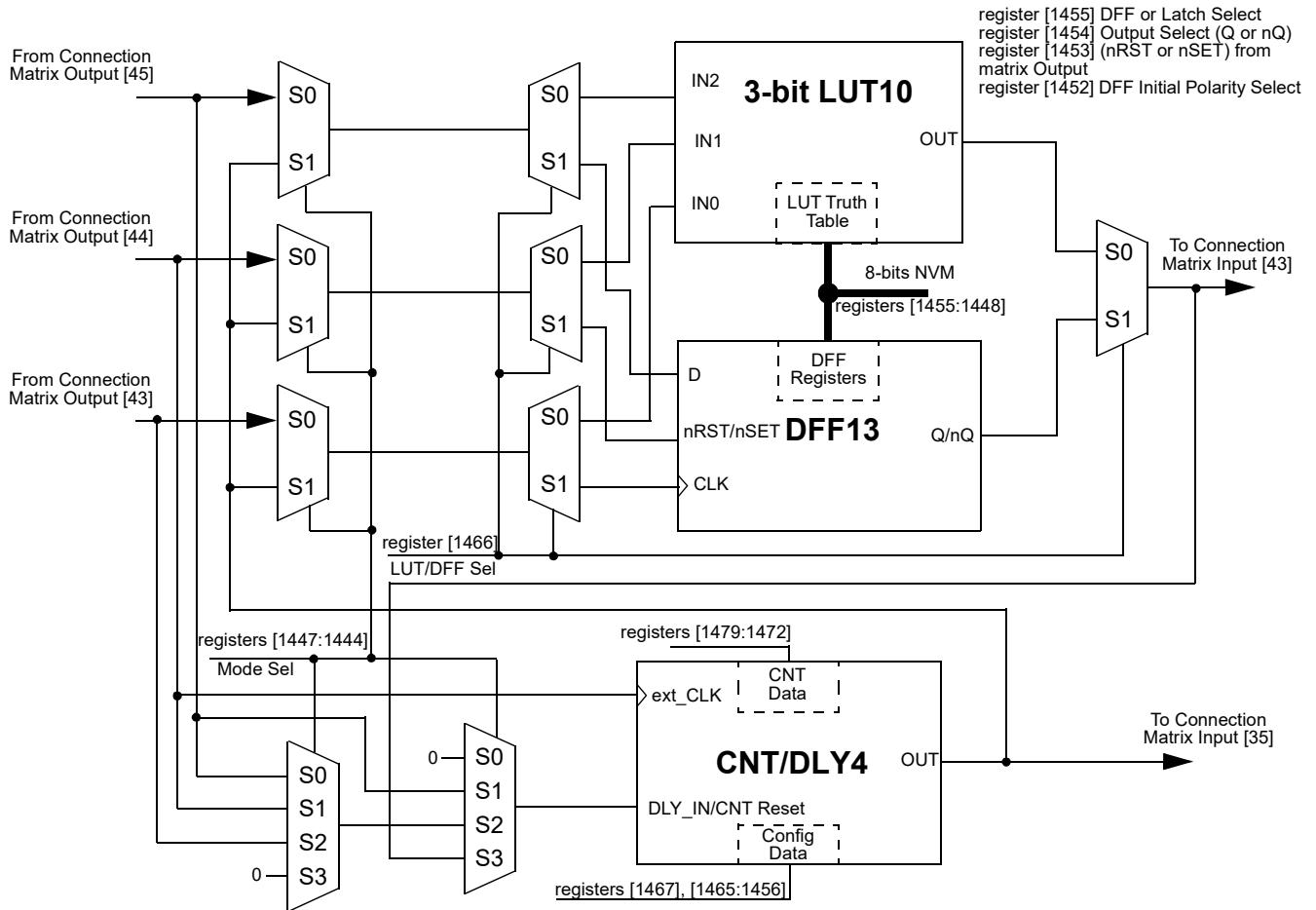


Figure 35: 8-bit Multi-Function Macrocells Block Diagram (3-bit LUT10/DFF13, CNT/DLY4)

GreenPAK Programmable Mixed-Signal Matrix with In System Programmability

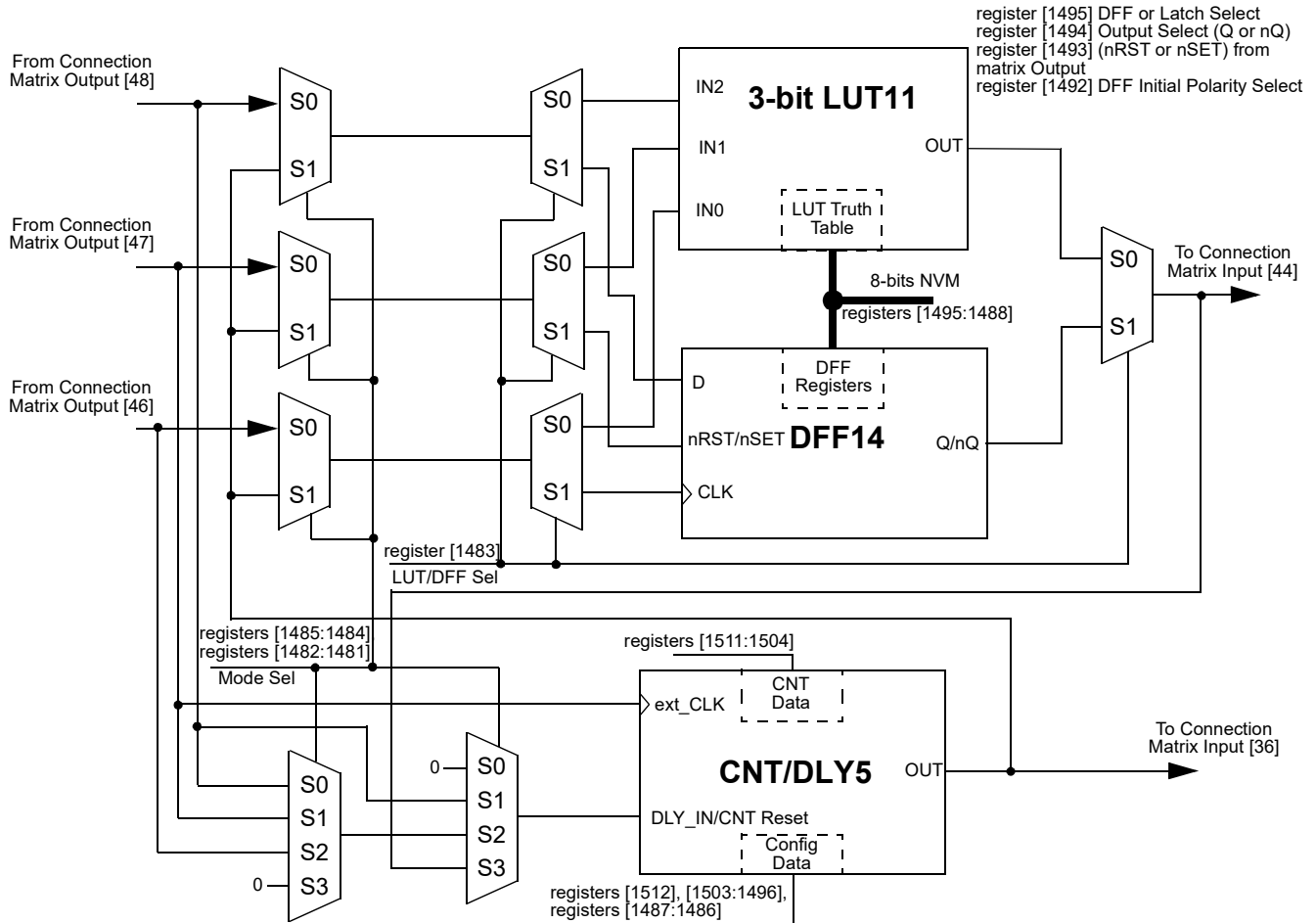


Figure 36: 8-bit Multi-Function Macrocells Block Diagram (3-bit LUT11/DFF14, CNT/DLY5)

GreenPAK Programmable Mixed-Signal Matrix with In System Programmability

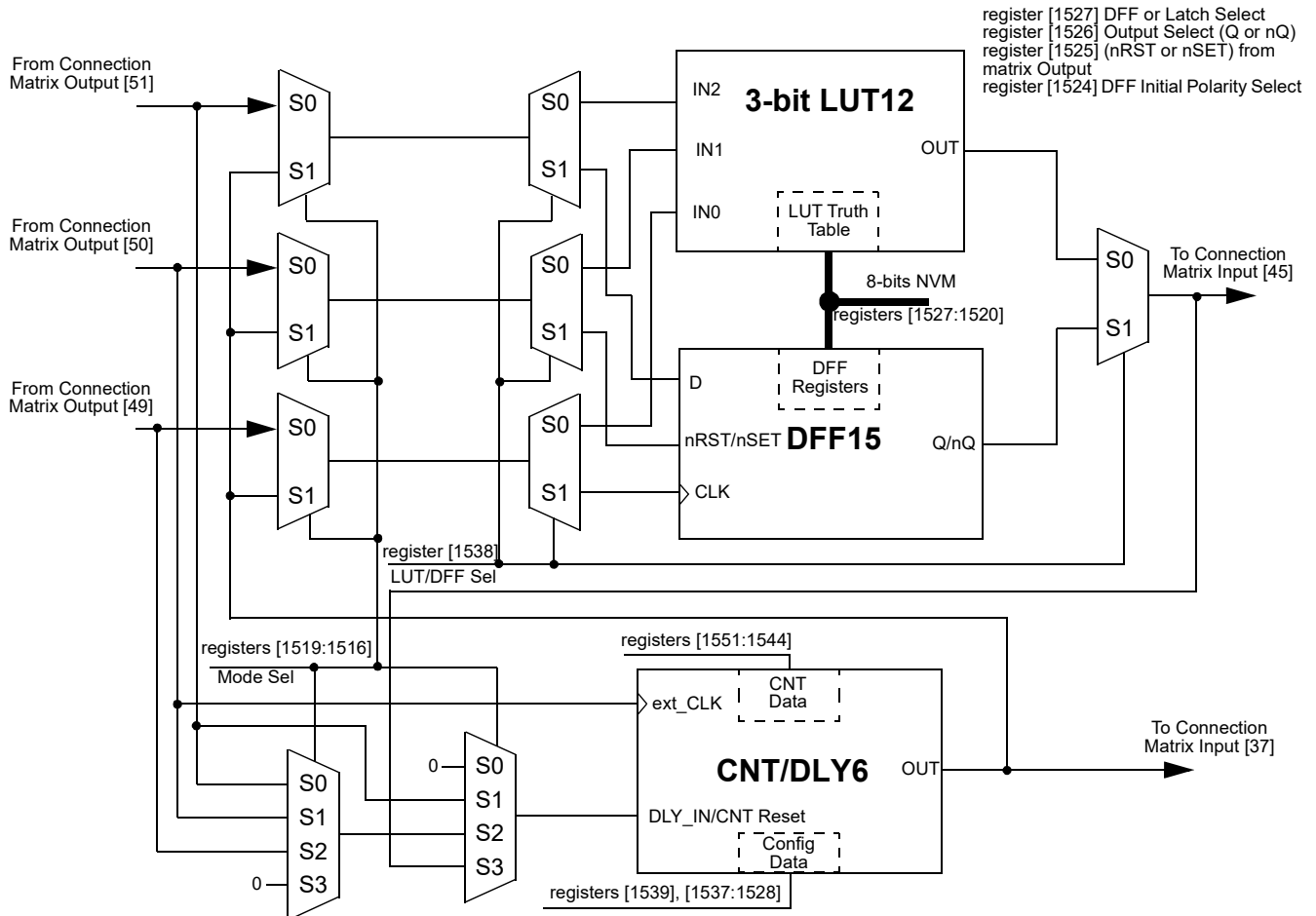


Figure 37: 8-bit Multi-Function Macrocells Block Diagram (3-bit LUT12/DFF15, CNT/DLY6)

GreenPAK Programmable Mixed-Signal Matrix with In System Programmability

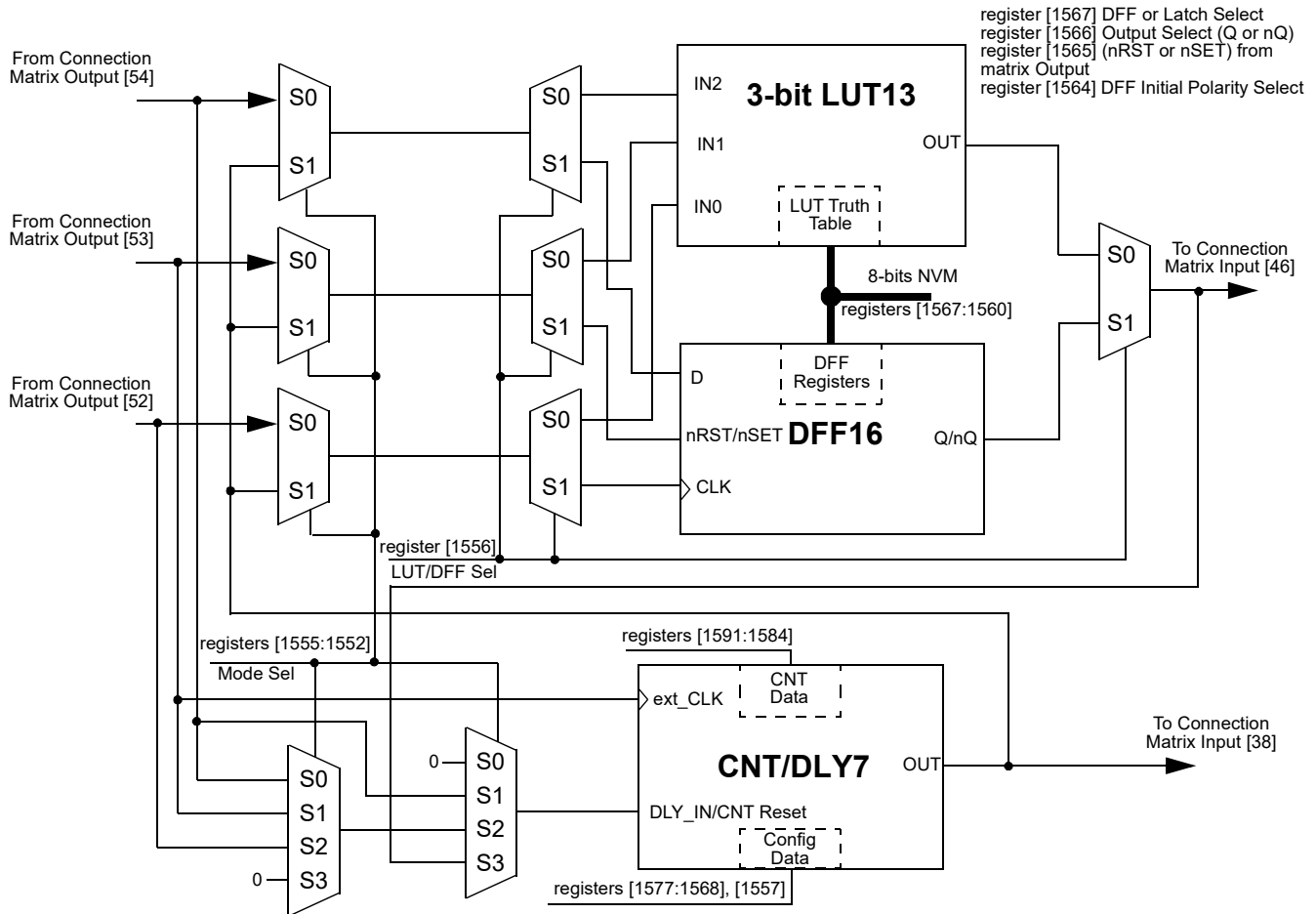


Figure 38: 8-bit Multi-Function Macrocells Block Diagram (3-bit LUT13/DFF16, CNT/DLY7)

As shown in Figures 24 to 30 there is a possibility to use LUT/DFF and CNT/DLY simultaneously.

**Note:** It is not possible to use LUT and DFF at once, one of these macrocells must be selected.

- Case 1. LUT/DFF in front of CNT/DLY. Three input signals from the connection matrix go to previously selected LUT or DFF's inputs and produce a single output which goes to a CNT/DLY input. In its turn Counter/Delay's output goes back to the matrix.
- Case 2. CNT/DLY in front of LUT/DFF. Two input signals from the connection matrix go to CNT/DLY's inputs (IN and CLK). Its output signal can be connected to any input of previously selected LUT or DFF, after which the signal goes back to the matrix.
- Case 3. Single LUT/DFF or CNT/DLY. Also, it is possible to use a standalone LUT/DFF or CNT/DLY. In this case, all inputs and output of the macrocell are connected to the matrix.

## GreenPAK Programmable Mixed-Signal Matrix with In System Programmability

### 8.1.2 3-Bit LUT or CNT/DLYs Used as 3-Bit LUTs

Table 34: 3-bit LUT7 Truth Table

| IN2 | IN1 | IN0 | OUT             |     |
|-----|-----|-----|-----------------|-----|
| 0   | 0   | 0   | register [1344] | LSB |
| 0   | 0   | 1   | register [1345] |     |
| 0   | 1   | 0   | register [1346] |     |
| 0   | 1   | 1   | register [1347] |     |
| 1   | 0   | 0   | register [1348] |     |
| 1   | 0   | 1   | register [1349] |     |
| 1   | 1   | 0   | register [1350] |     |
| 1   | 1   | 1   | register [1351] | MSB |

Table 35: 3-bit LUT8 Truth Table

| IN2 | IN1 | IN0 | OUT             |     |
|-----|-----|-----|-----------------|-----|
| 0   | 0   | 0   | register [1376] | LSB |
| 0   | 0   | 1   | register [1377] |     |
| 0   | 1   | 0   | register [1378] |     |
| 0   | 1   | 1   | register [1379] |     |
| 1   | 0   | 0   | register [1380] |     |
| 1   | 0   | 1   | register [1381] |     |
| 1   | 1   | 0   | register [1382] |     |
| 1   | 1   | 1   | register [1383] | MSB |

Table 36: 3-bit LUT9 Truth Table

| IN2 | IN1 | IN0 | OUT             |     |
|-----|-----|-----|-----------------|-----|
| 0   | 0   | 0   | register [1416] | LSB |
| 0   | 0   | 1   | register [1417] |     |
| 0   | 1   | 0   | register [1418] |     |
| 0   | 1   | 1   | register [1419] |     |
| 1   | 0   | 0   | register [1420] |     |
| 1   | 0   | 1   | register [1421] |     |
| 1   | 1   | 0   | register [1422] |     |
| 1   | 1   | 1   | register [1423] | MSB |

Table 37: 3-bit LUT10 Truth Table

| IN2 | IN1 | IN0 | OUT             |     |
|-----|-----|-----|-----------------|-----|
| 0   | 0   | 0   | register [1448] | LSB |
| 0   | 0   | 1   | register [1449] |     |
| 0   | 1   | 0   | register [1450] |     |
| 0   | 1   | 1   | register [1451] |     |
| 1   | 0   | 0   | register [1452] |     |
| 1   | 0   | 1   | register [1453] |     |
| 1   | 1   | 0   | register [1454] |     |
| 1   | 1   | 1   | register [1455] | MSB |

Table 38: 3-bit LUT11 Truth Table

| IN2 | IN1 | IN0 | OUT             |     |
|-----|-----|-----|-----------------|-----|
| 0   | 0   | 0   | register [1488] | LSB |
| 0   | 0   | 1   | register [1489] |     |
| 0   | 1   | 0   | register [1490] |     |
| 0   | 1   | 1   | register [1491] |     |
| 1   | 0   | 0   | register [1492] |     |
| 1   | 0   | 1   | register [1493] |     |
| 1   | 1   | 0   | register [1494] |     |
| 1   | 1   | 1   | register [1495] | MSB |

Table 39: 3-bit LUT12 Truth Table

| IN2 | IN1 | IN0 | OUT             |     |
|-----|-----|-----|-----------------|-----|
| 0   | 0   | 0   | register [1520] | LSB |
| 0   | 0   | 1   | register [1521] |     |
| 0   | 1   | 0   | register [1522] |     |
| 0   | 1   | 1   | register [1523] |     |
| 1   | 0   | 0   | register [1524] |     |
| 1   | 0   | 1   | register [1525] |     |
| 1   | 1   | 0   | register [1526] |     |
| 1   | 1   | 1   | register [1527] | MSB |

Table 40: 3-bit LUT13 Truth Table

| IN2 | IN1 | IN0 | OUT             |     |
|-----|-----|-----|-----------------|-----|
| 0   | 0   | 0   | register [1560] | LSB |
| 0   | 0   | 1   | register [1561] |     |
| 0   | 1   | 0   | register [1562] |     |
| 0   | 1   | 1   | register [1563] |     |
| 1   | 0   | 0   | register [1564] |     |
| 1   | 0   | 1   | register [1565] |     |
| 1   | 1   | 0   | register [1566] |     |
| 1   | 1   | 1   | register [1567] | MSB |

## GreenPAK Programmable Mixed-Signal Matrix with In System Programmability

Each macrocell, when programmed for a LUT function, uses a 8-bit register to define their output function:

3-Bit LUT7 is defined by registers [1351:1344]

3-Bit LUT8 is defined by registers [1383:1376]

3-Bit LUT9 is defined by registers [1423:1416]

3-Bit LUT10 is defined by registers [1455:1448]

3-Bit LUT11 is defined by registers [1495:1488]

3-Bit LUT12 is defined by registers [1527:1520]

3-Bit LUT13 is defined by registers [1567:1560]

### 8.2 CNT/DLY/FSM TIMING DIAGRAMS

#### 8.2.1 Delay Mode (Edge Select: Both, Counter Data: 3) CNT/DLY0 to CNT/DLY7

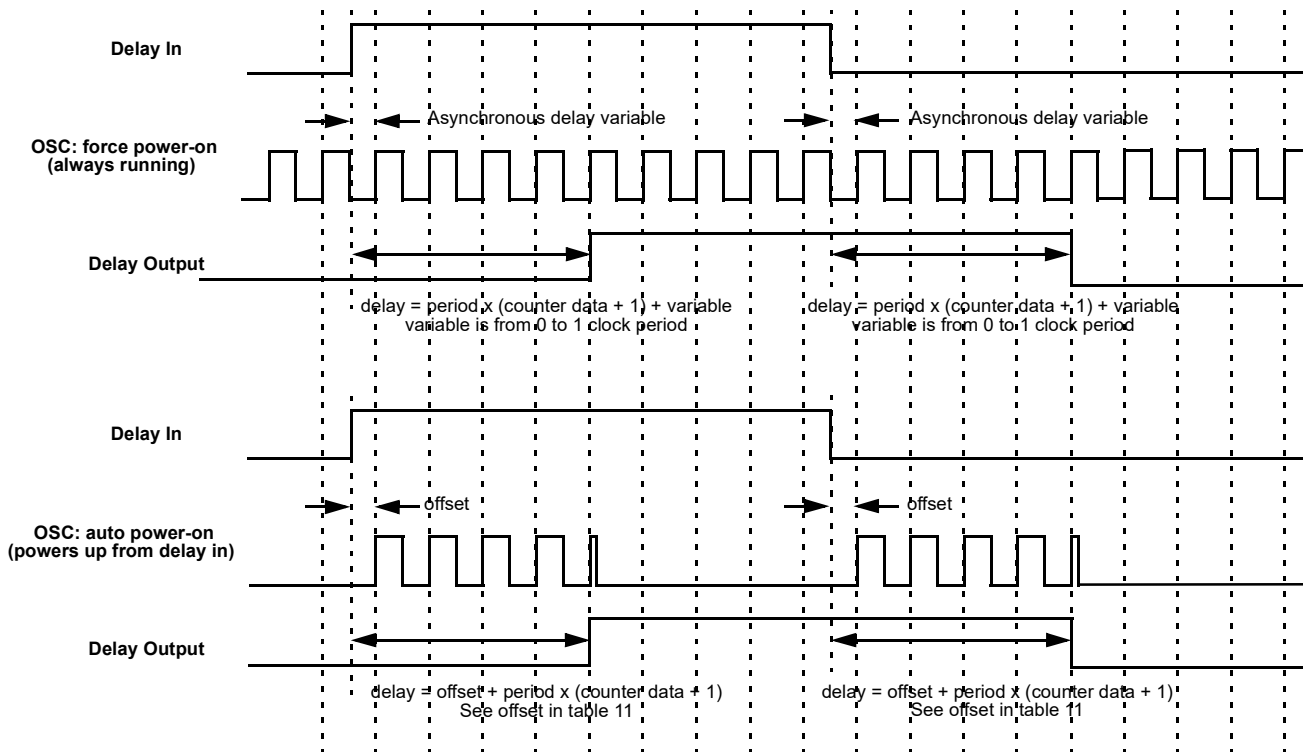


Figure 39: Delay Mode Timing Diagram

GreenPAK Programmable Mixed-Signal Matrix with In System Programmability

8.2.2 Count Mode (Count Data: 3), Counter Reset (Rising Edge Detect) CNT/DLY0 to CNT/DLY7

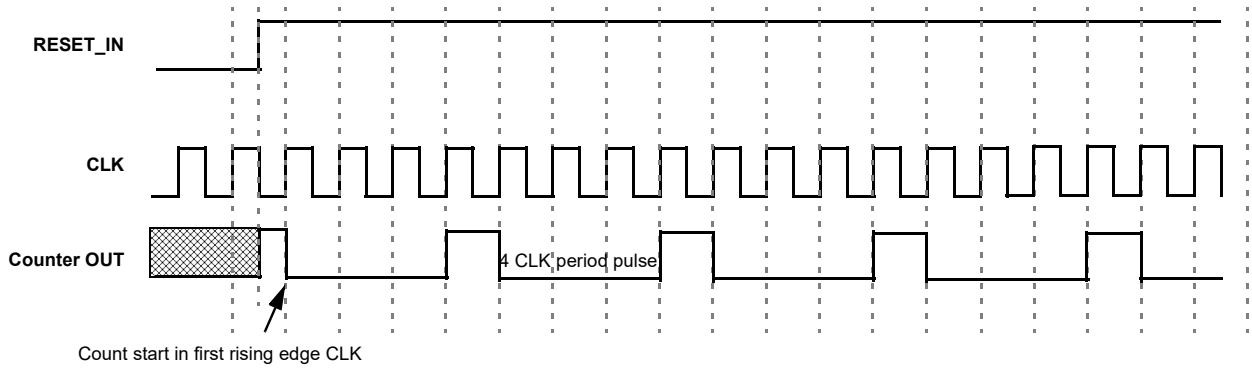


Figure 40: Counter Mode Timing Diagram without Two DFFs Synced Up

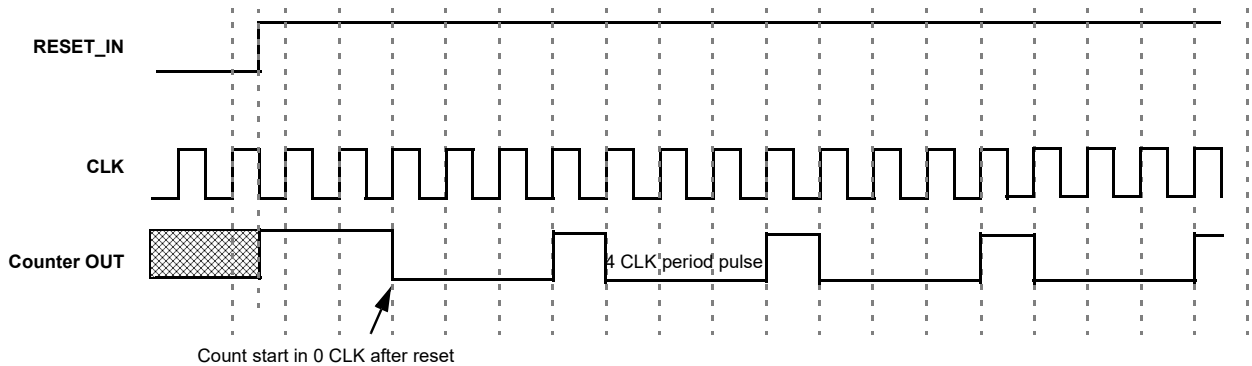


Figure 41: Counter Mode Timing Diagram with Two DFFs Synced Up

## GreenPAK Programmable Mixed-Signal Matrix with In System Programmability

### 8.2.3 One-Shot Mode CNT/DLY0 to CNT/DLY7

This macrocell will generate a pulse whenever a selected edge is detected on its input. Register bits set the edge selection. The pulse width determines by counter data and clock selection properties.

The output pulse polarity (non-inverted or inverted) is selected by register bit. Any incoming edges will be ignored during the pulse width generation. The following diagram shows one-shot function for non-inverted output.

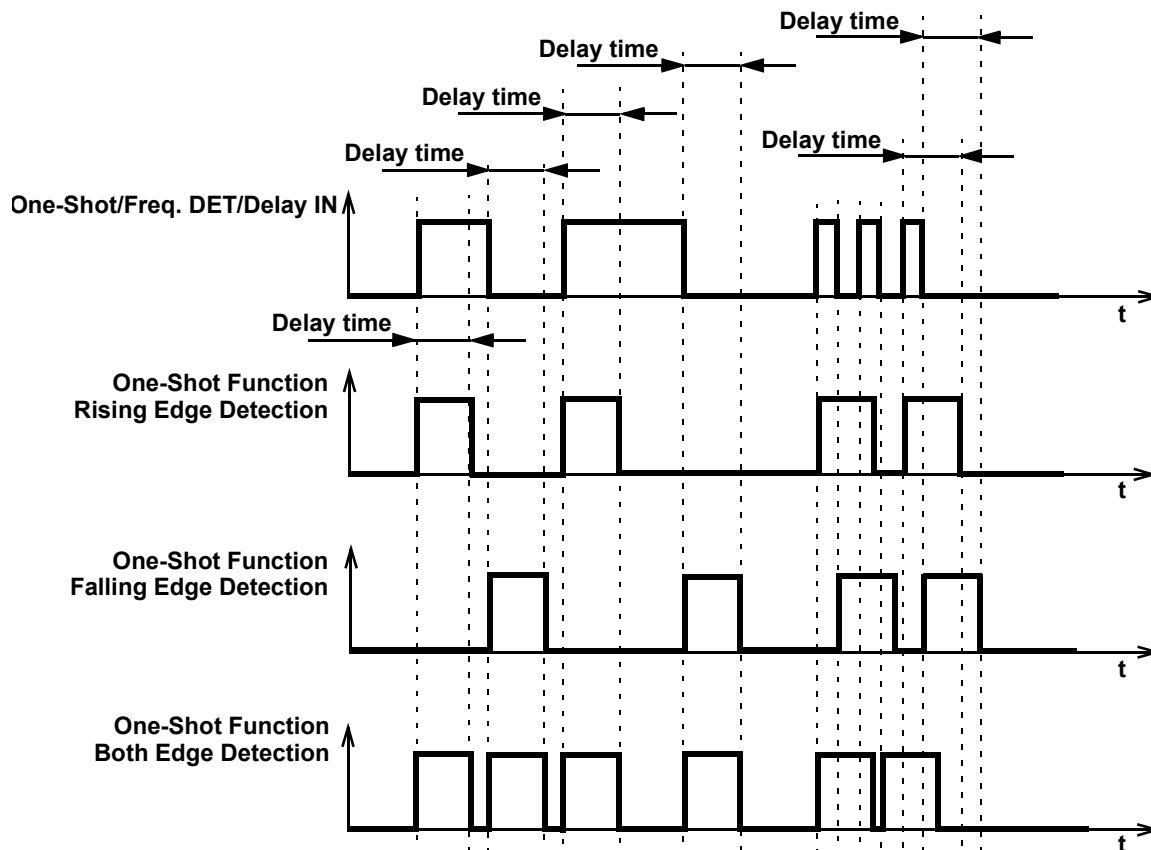


Figure 42: One-Shot Function Timing Diagram

This macrocell generates a high level pulse with a set width (defined by counter data) when detecting the respective edge. It does not restart while pulse is high.

### 8.2.4 Frequency Detection Mode CNT/DLY0 to CNT/DLY7

**Rising Edge:** The output goes high if the time between two successive edges is less than the delay. The output goes low if the second rising edge has not come after the last rising edge in specified time.

**Falling Edge:** The output goes high if the time between two falling edges is less than the set time. The output goes low if the second falling edge has not come after the last falling edge in specified time.

**Both Edge:** The output goes high if the time between the rising and falling edges is less than the set time, which is equivalent to the length of the pulse. The output goes low if after the last rising/falling edge and specified time, the second edge has not come.



GreenPAK Programmable Mixed-Signal Matrix with In System Programmability

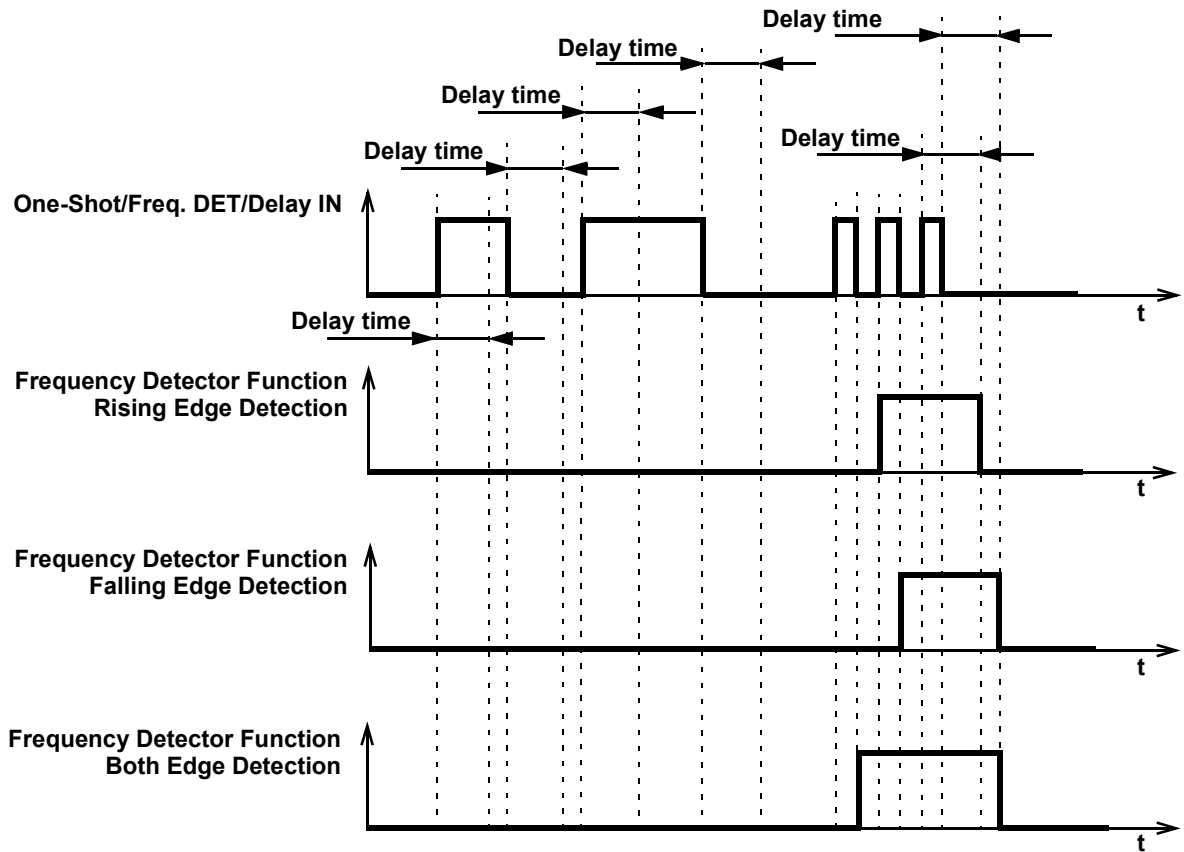


Figure 43: Frequency Detection Mode Timing Diagram

## GreenPAK Programmable Mixed-Signal Matrix with In System Programmability

### 8.2.5 Edge Detection Mode CNT/DLY1 to CNT/DLY7

The macrocell generates high level short pulse when detecting the respective edge. See [Table 11](#).

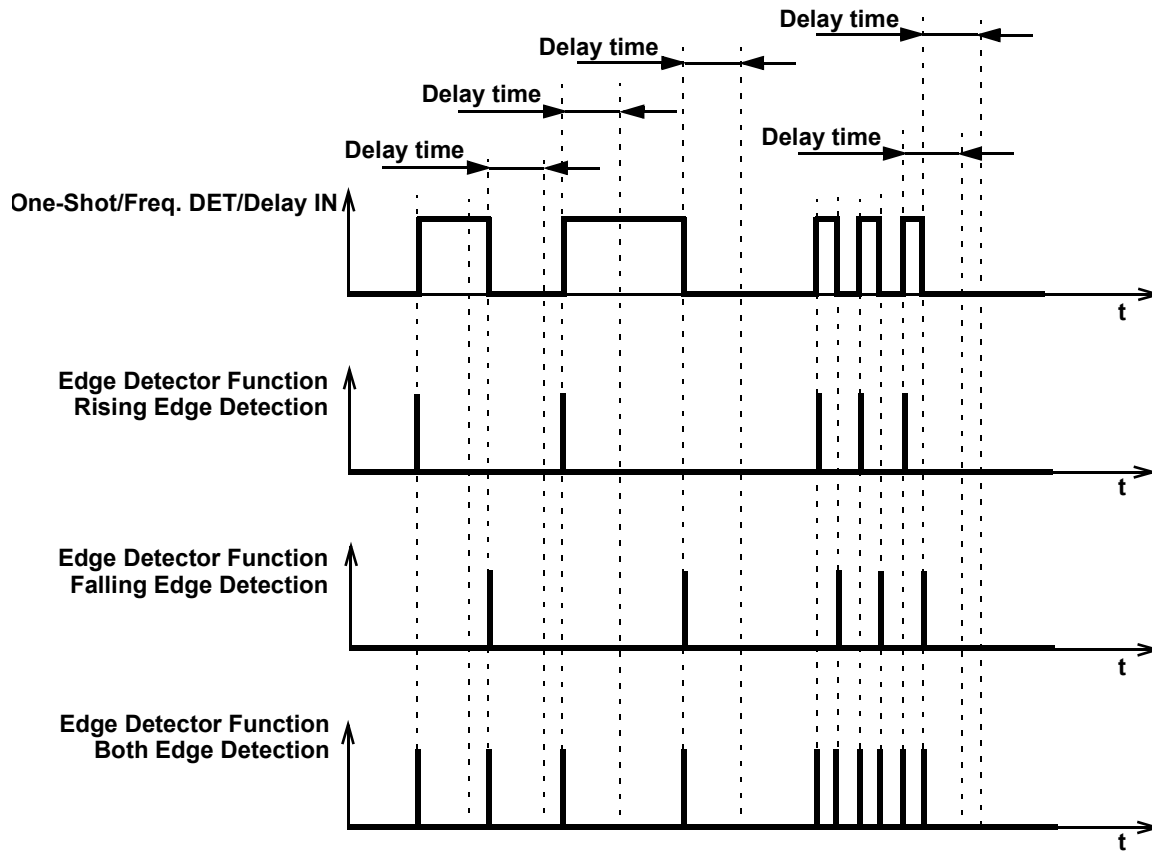


Figure 44: Edge Detection Mode Timing Diagram

**GreenPAK Programmable Mixed-Signal Matrix with In System Programmability**

**8.2.6 Delay Mode CNT/DLY0 to CNT/DLY7**

The macrocell shifts the respective edge to a set time and restarts by appropriate edge. It works as a filter if the input signal is shorter than the delay time.

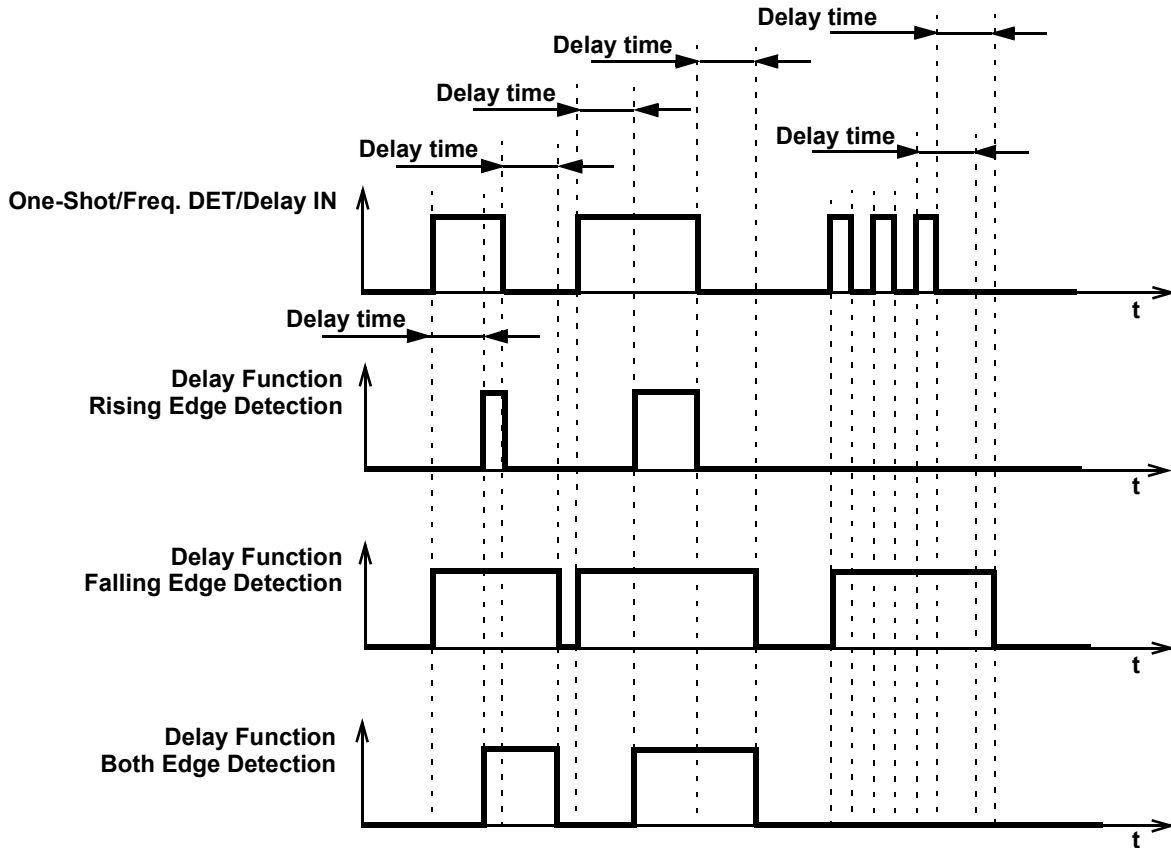


Figure 45: Delay Mode Timing Diagram

**8.2.7 CNT/FSM Mode CNT/DLY0**

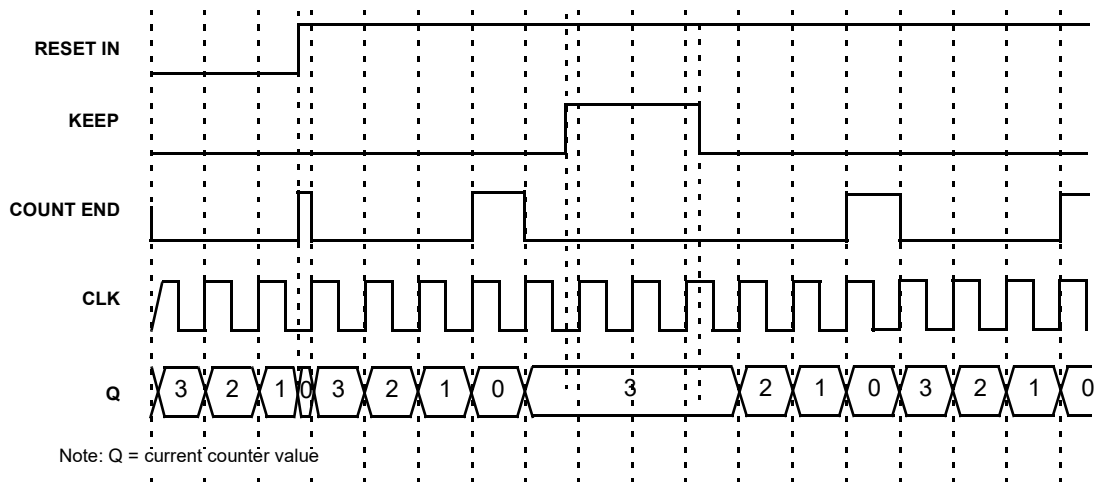


Figure 46: CNT/FSM Timing Diagram (Reset Rising Edge Mode, Oscillator is Forced On, UP = 0) for Counter Data = 3

GreenPAK Programmable Mixed-Signal Matrix with In System Programmability

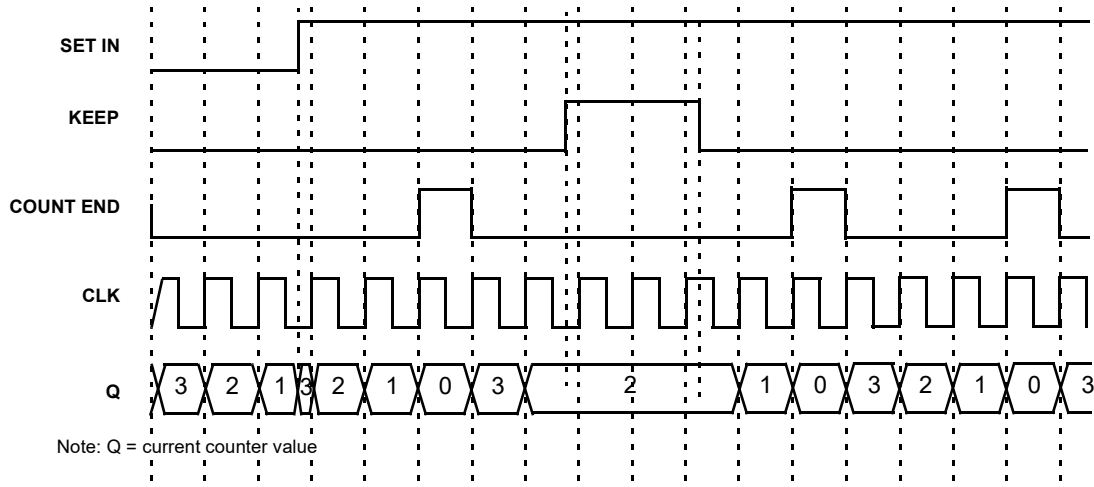


Figure 47: CNT/FSM Timing Diagram (Set Rising Edge Mode, Oscillator is Forced On, UP = 0) for Counter Data = 3

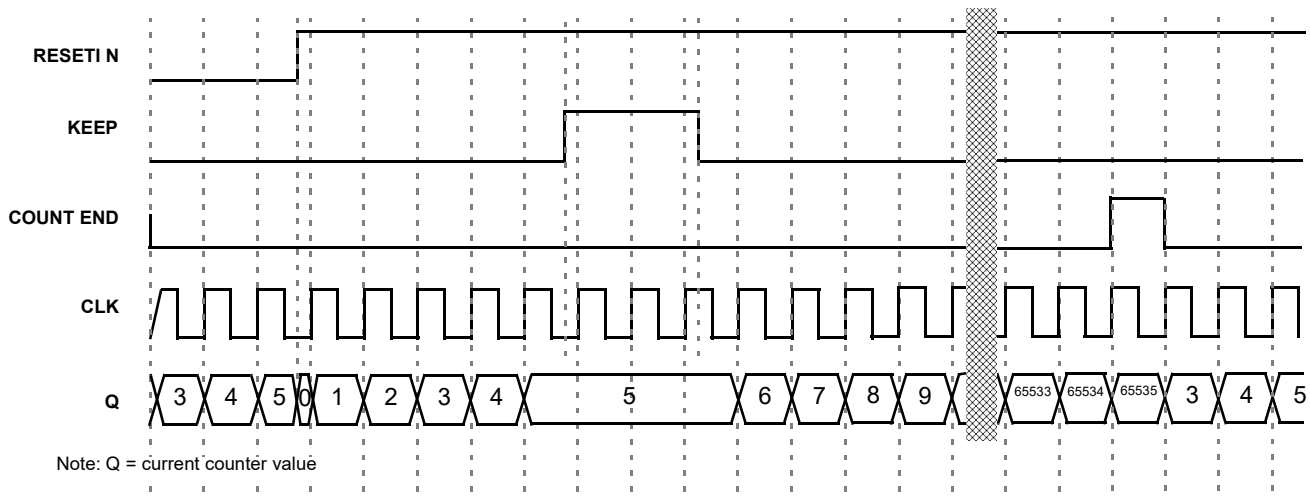


Figure 48: CNT/FSM Timing Diagram (Reset Rising Edge Mode, Oscillator is Forced On, UP = 1) for Counter Data = 3

GreenPAK Programmable Mixed-Signal Matrix with In System Programmability

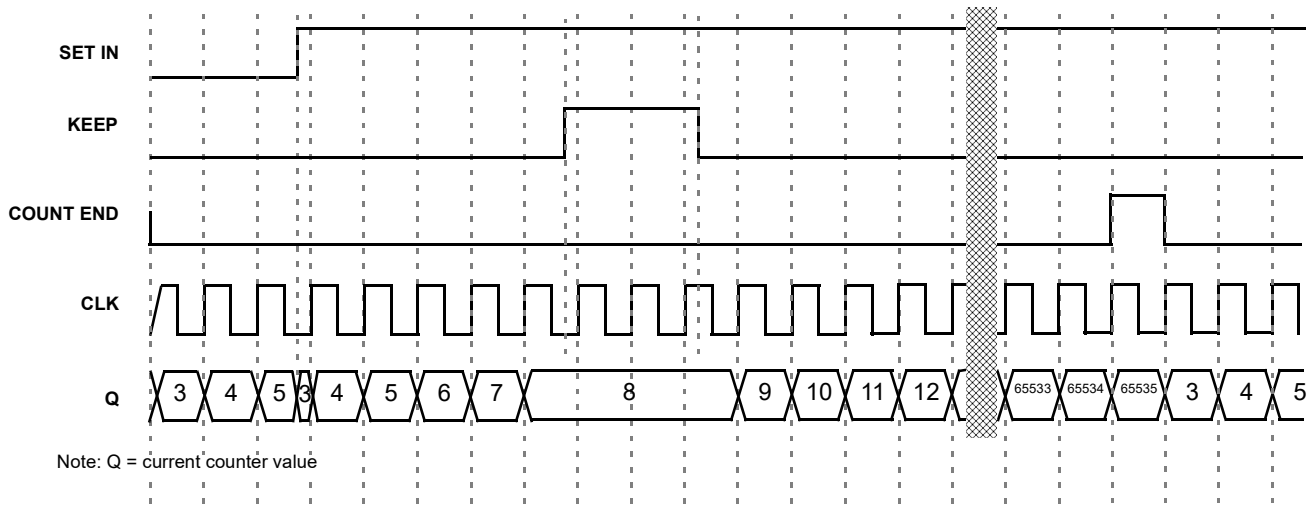


Figure 49: CNT/FSM Timing Diagram (Set Rising Edge Mode, Oscillator is Forced On, UP = 1) for Counter Data = 3

8.2.8 Difference in Counter Value for Counter, Delay, One-Shot, and Frequency Detect Modes

There is a difference in counter value for Counter and Delay/One-Shot/Frequency Detect modes. The counter value is shifted for two rising edges of the clock signal in Delay/One-Shot/Frequency Detect modes compared to Counter mode. See Figure 50.

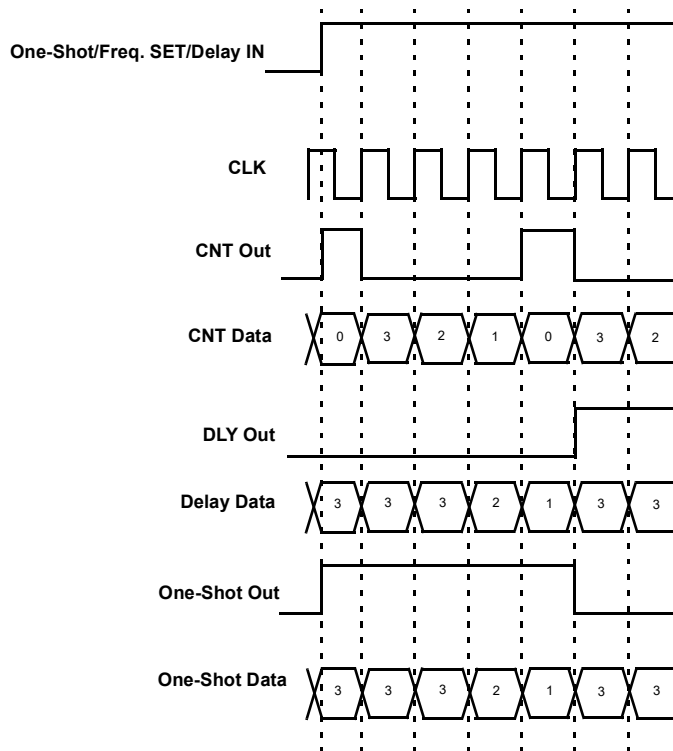


Figure 50: Counter Value, Counter Data = 3

## GreenPAK Programmable Mixed-Signal Matrix with In System Programmability

### 8.3 4-BIT LUT OR 16-BIT COUNTER/Delay MACROCELL

There is one macrocell that can serve as either 4-bit LUT or as 16-bit Counter/Delay. When used to implement LUT function, the 4-bit LUT takes in four input signals from the Connection Matrix and produces a single output, which goes back into the Connection Matrix or can be connected to CNT/DLY's input or LUT/DFF's input. When used to implement 16-Bit Counter/Delay function, two of the four input signals from the connection matrix go to the external clock (EXT\_CLK) and reset (DLY\_IN/CNT Reset) for the counter/delay, with the output going back to the connection matrix.

This macrocell has an optional Finite State Machine (FSM) function. There are two additional matrix inputs for Up and Keep to support FSM functionality.

This macrocell can also operate in a one-shot mode, which will generate an output pulse of user-defined width.

This macrocell can also operate in a frequency detection.

This macrocell can have its active count value read via I<sup>2</sup>C. See Section 15.6.1 for further details.

#### 8.3.1 4-Bit LUT or 16-Bit CNT/DLY Block Diagram

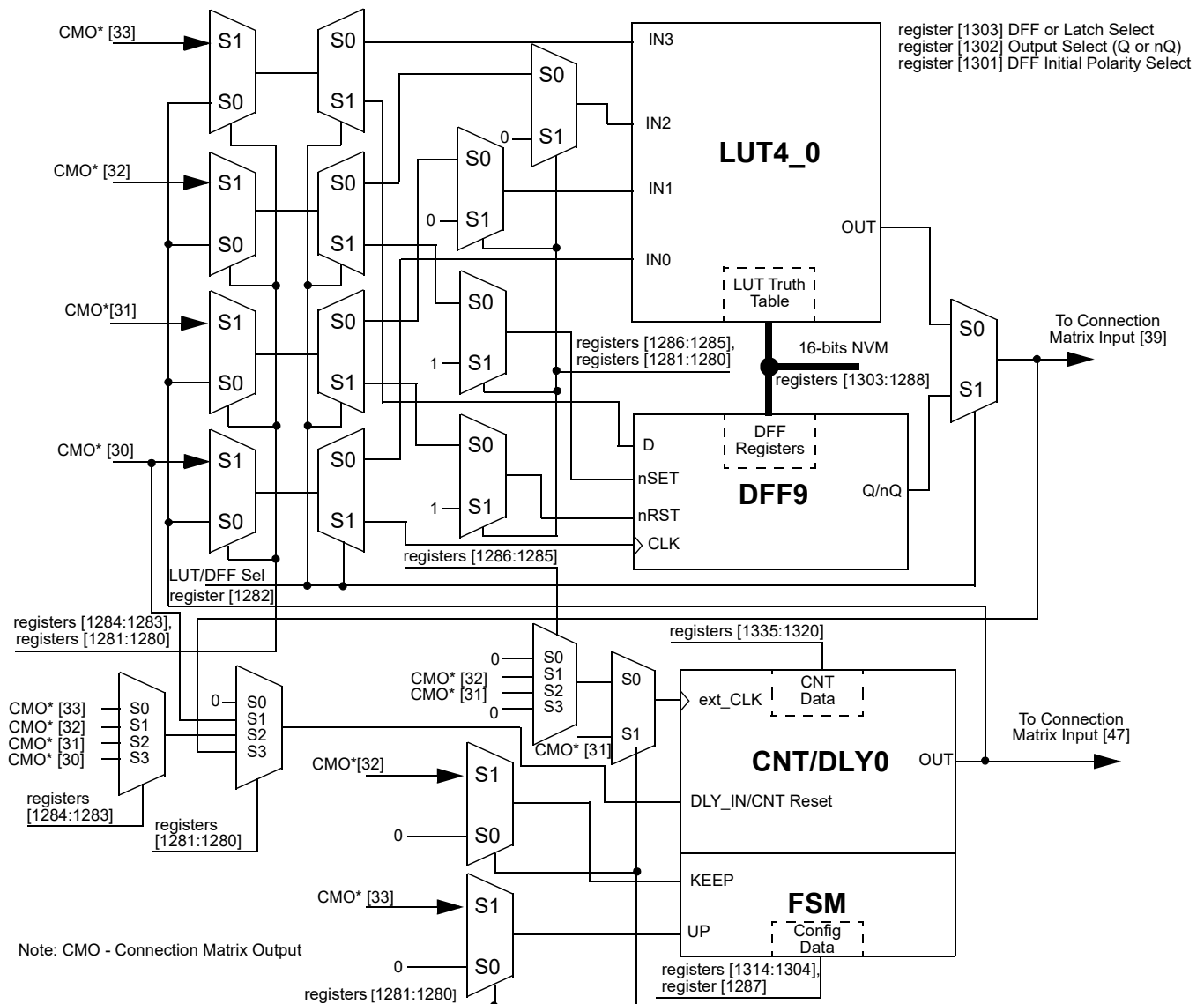


Figure 51: 4-bit LUT0 or CNT/DLY0

## GreenPAK Programmable Mixed-Signal Matrix with In System Programmability

### 8.3.2 4-Bit LUT or 16-Bit Counter/Delay Macrocells Used as 4-Bit LUTs

**Table 41: 4-bit LUT0 Truth Table**

| IN3 | IN2 | IN1 | IN0 | OUT             |     |
|-----|-----|-----|-----|-----------------|-----|
| 0   | 0   | 0   | 0   | register [1288] | LSB |
| 0   | 0   | 0   | 1   | register [1289] |     |
| 0   | 0   | 1   | 0   | register [1290] |     |
| 0   | 0   | 1   | 1   | register [1291] |     |
| 0   | 1   | 0   | 0   | register [1292] |     |
| 0   | 1   | 0   | 1   | register [1293] |     |
| 0   | 1   | 1   | 0   | register [1294] |     |
| 0   | 1   | 1   | 1   | register [1295] |     |
| 1   | 0   | 0   | 0   | register [1296] |     |
| 1   | 0   | 0   | 1   | register [1297] |     |
| 1   | 0   | 1   | 0   | register [1298] |     |
| 1   | 0   | 1   | 1   | register [1299] |     |
| 1   | 1   | 0   | 0   | register [1300] |     |
| 1   | 1   | 0   | 1   | register [1301] |     |
| 1   | 1   | 1   | 0   | register [1302] |     |
| 1   | 1   | 1   | 1   | register [1303] | MSB |

This macrocell, when programmed for a LUT function, uses a 16-bit register to define their output function:

*4-Bit LUT0 is defined by registers [1303:1288]*

**Table 42: 4-bit LUT Standard Digital Functions**

| Function | MSB |   |   |   |   |   |   |   |   |   |   |   |   |   |   | LSB |
|----------|-----|---|---|---|---|---|---|---|---|---|---|---|---|---|---|-----|
| AND-4    | 1   | 0 | 0 | 0 | 0 | 0 | 0 | 0 | 0 | 0 | 0 | 0 | 0 | 0 | 0 | 0   |
| NAND-4   | 0   | 1 | 1 | 1 | 1 | 1 | 1 | 1 | 1 | 1 | 1 | 1 | 1 | 1 | 1 | 1   |
| OR-4     | 1   | 1 | 1 | 1 | 1 | 1 | 1 | 1 | 1 | 1 | 1 | 1 | 1 | 1 | 1 | 0   |
| NOR-4    | 0   | 0 | 0 | 0 | 0 | 0 | 0 | 0 | 0 | 0 | 0 | 0 | 0 | 0 | 0 | 1   |
| XOR-4    | 0   | 1 | 1 | 0 | 1 | 0 | 0 | 1 | 1 | 0 | 0 | 1 | 0 | 1 | 1 | 0   |
| XNOR-4   | 1   | 0 | 0 | 1 | 0 | 1 | 1 | 0 | 0 | 1 | 1 | 0 | 1 | 0 | 0 | 1   |

## GreenPAK Programmable Mixed-Signal Matrix with In System Programmability

### 9 Analog Comparators

There are two General Purpose Rail-to-Rail Analog Comparator (ACMP) macrocells in the SLG46824. In order for the ACMP cells to be used in a GreenPAK design, the power up signals (ACMP0L PWR UP, and ACMP1L PWR UP) need to be active. By connecting to signals coming from the Connection Matrix, it is possible to have each ACMP be on continuously, off continuously, or switched on periodically based on a digital signal coming from the Connection Matrix. When ACMP is powered down, output is low.

ACMPs are optimized for low power operation.

Each of the ACMP cells has a positive input signal that can be provided by a variety of external sources, and can also have a selectable gain stage before connection to the analog comparator. Each of the ACMP cells has a negative input signal that is either created from an internal Vref or provided by way of the external sources.

PWR UP = 1 → ACMP is powered up.

PWR UP = 0 → ACMP is powered down.

During power-up, the ACMP output will remain LOW, and then become valid 51.4  $\mu$ s (max) after power up signal goes high for ACMP0L and ACMP1L. Input bias current < 1 nA (typ). The Gain divider is unbuffered and consists of 1 M $\Omega$  resistors.

Each cell also has a hysteresis selection, to offer hysteresis of (0, 32, 64, 192) mV. The hysteresis option is available when using an internal Vref only.

ACMP0L IN+ options are IO12

ACMP1L IN+ options are IO11



GreenPAK Programmable Mixed-Signal Matrix with In System Programmability

9.1 ACMP0L BLOCK DIAGRAM

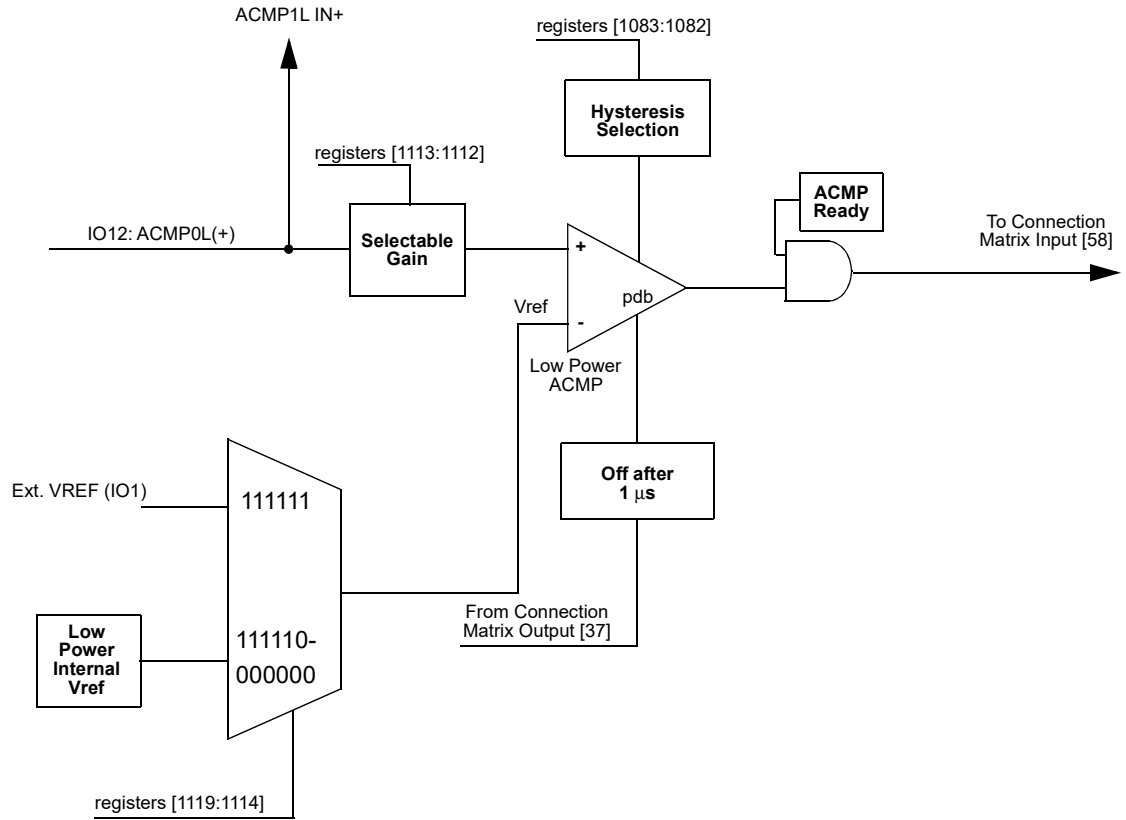


Figure 52: ACMP0L Block Diagram

GreenPAK Programmable Mixed-Signal Matrix with In System Programmability

9.2 ACMP1L BLOCK DIAGRAM

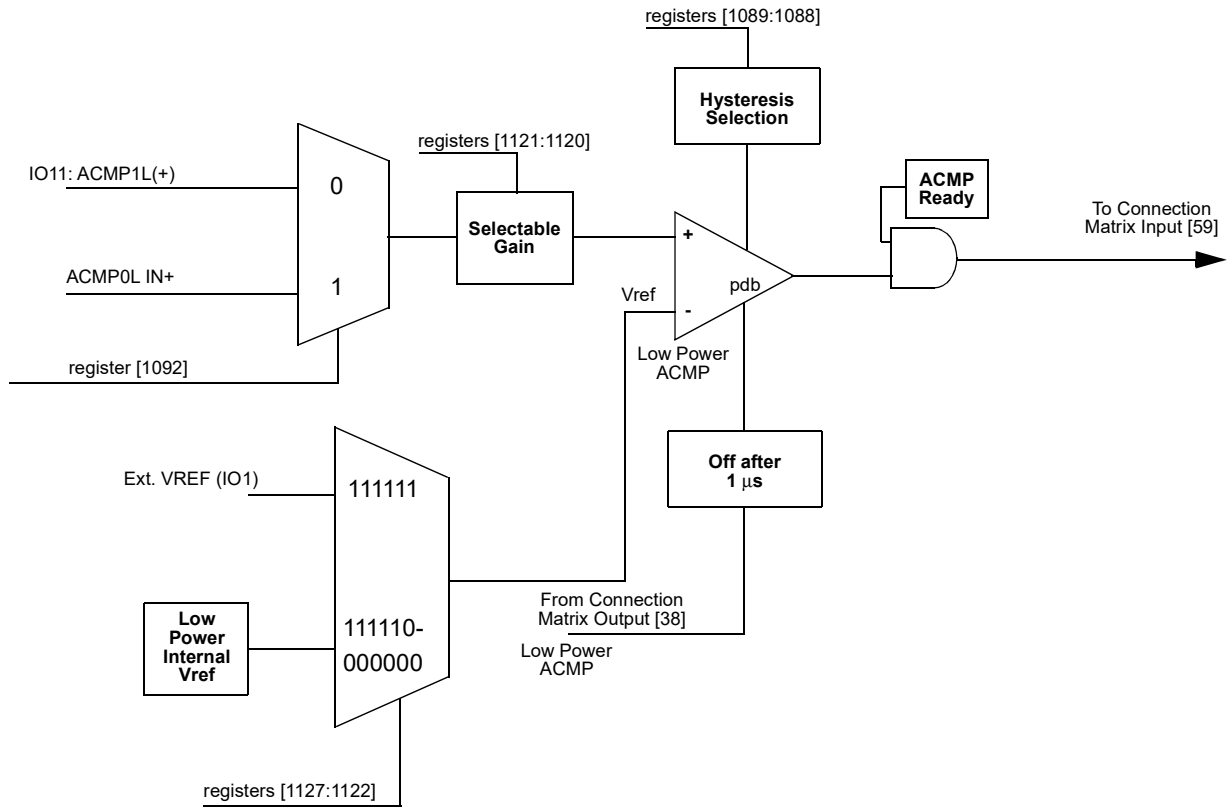


Figure 53: ACMP0L Block Diagram

GreenPAK Programmable Mixed-Signal Matrix with In System Programmability

9.3 ACMP TYPICAL PERFORMANCE

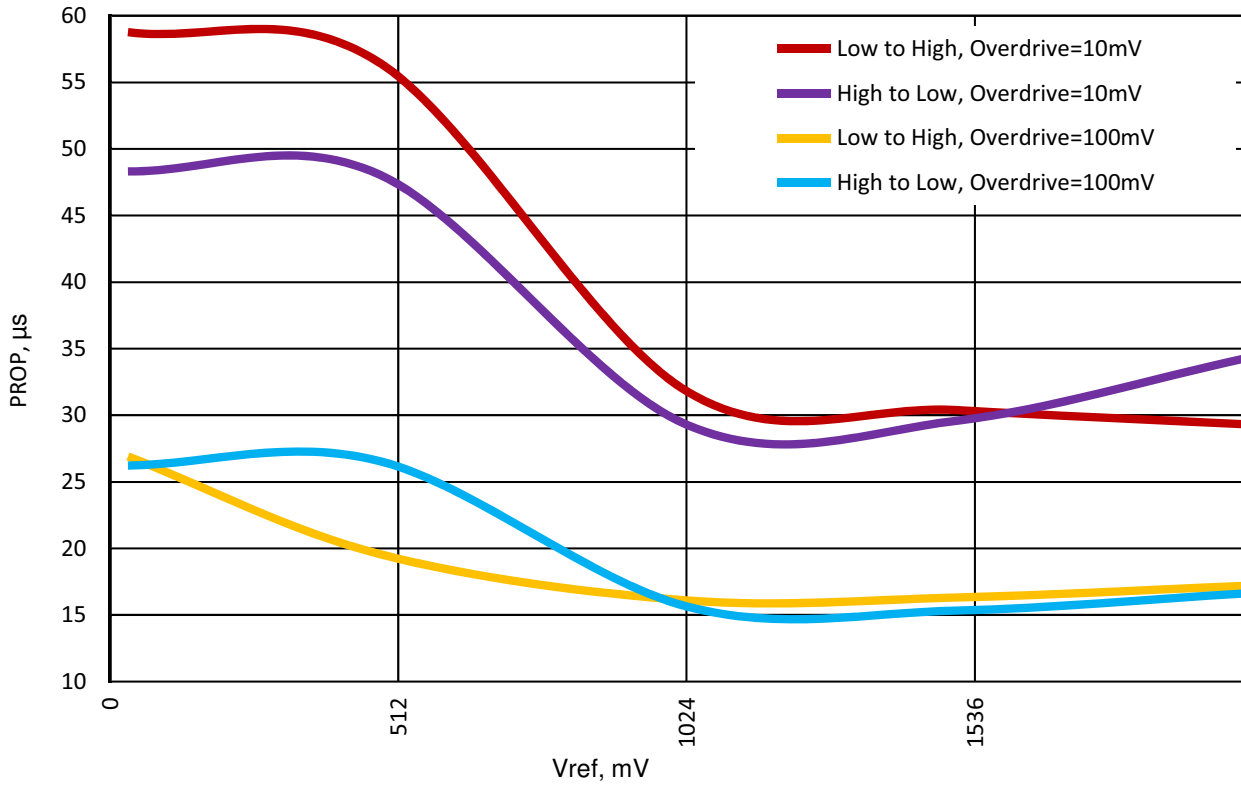


Figure 54: Typical Propagation Delay vs. Vref for ACMPxL at T = 25 °C, Gain = 1, Buffer - Disabled, Hysteresis = 0

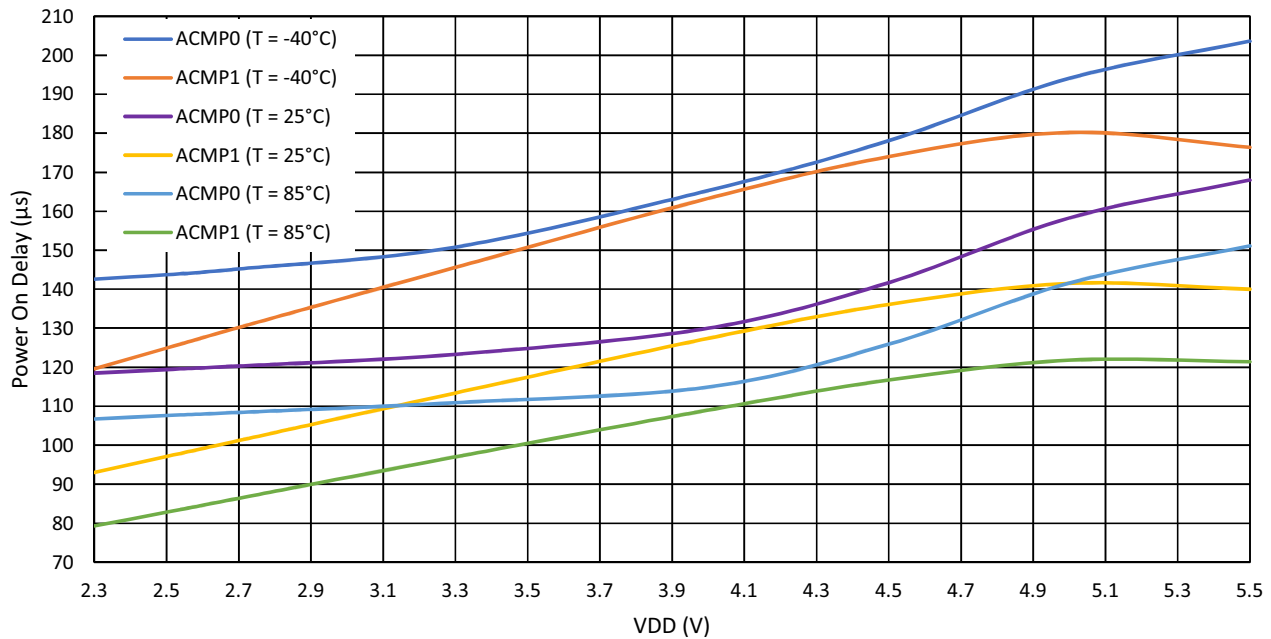


Figure 55: ACMPxL Power-On Delay vs. VDD

GreenPAK Programmable Mixed-Signal Matrix with In System Programmability

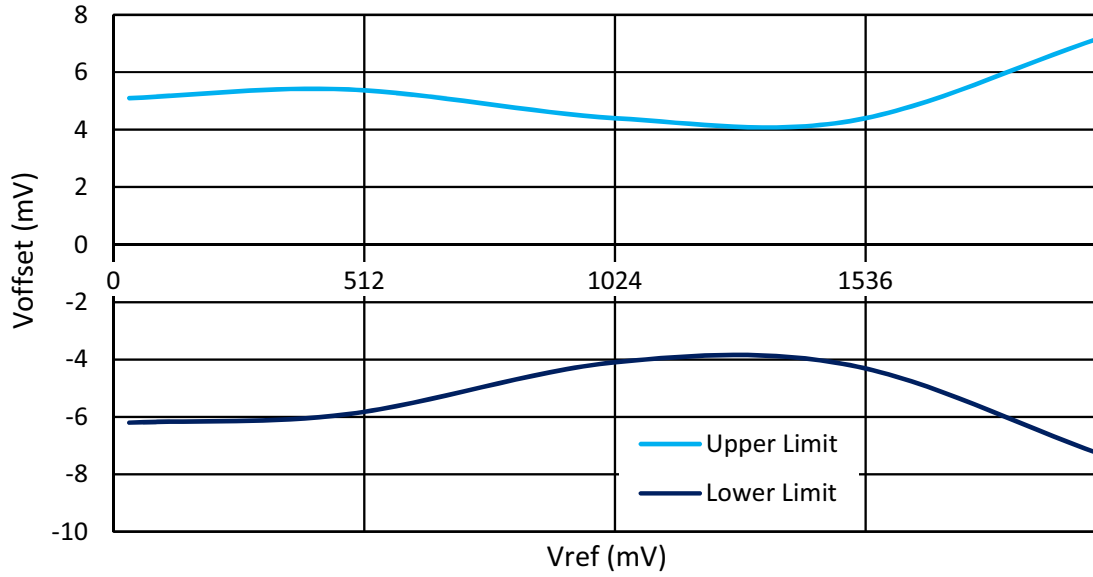


Figure 56: ACMPxL Input Offset Voltage vs. Vref at T = -40 °C to 85 °C

## GreenPAK Programmable Mixed-Signal Matrix with In System Programmability

### 10 Programmable Delay/Edge Detector

The SLG46824 has a programmable time delay logic cell available that can generate a delay that is selectable from one of four timings (time 2) configured in the GreenPAK Designer. The programmable time delay cell can generate one of four different delay patterns, rising edge detection, falling edge detection, both edge detection, and both edge delay. These four patterns can be further modified with the addition of delayed edge detection, which adds an extra unit of delay as well as glitch rejection during the delay period. See [Figure 58](#) for further information.

**Note 1:** The input signal must be longer than the delay, otherwise it will be filtered out.

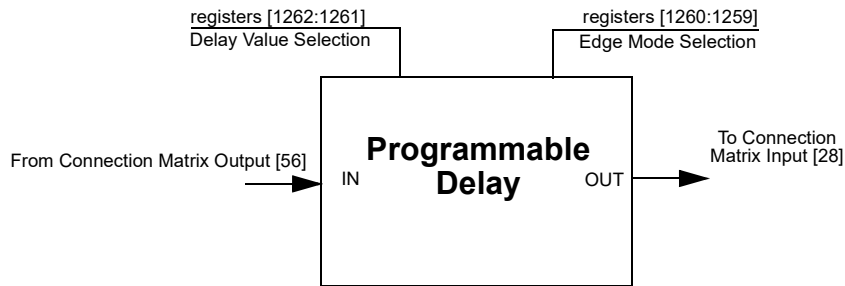


Figure 57: Programmable Delay

#### 10.1 PROGRAMMABLE DELAY TIMING DIAGRAM - EDGE DETECTOR OUTPUT

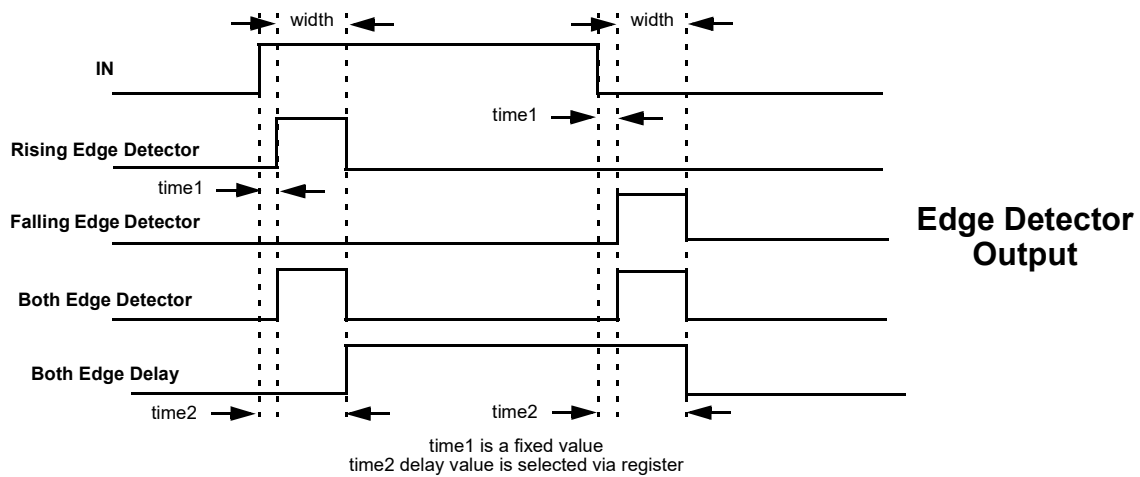


Figure 58: Edge Detector Output

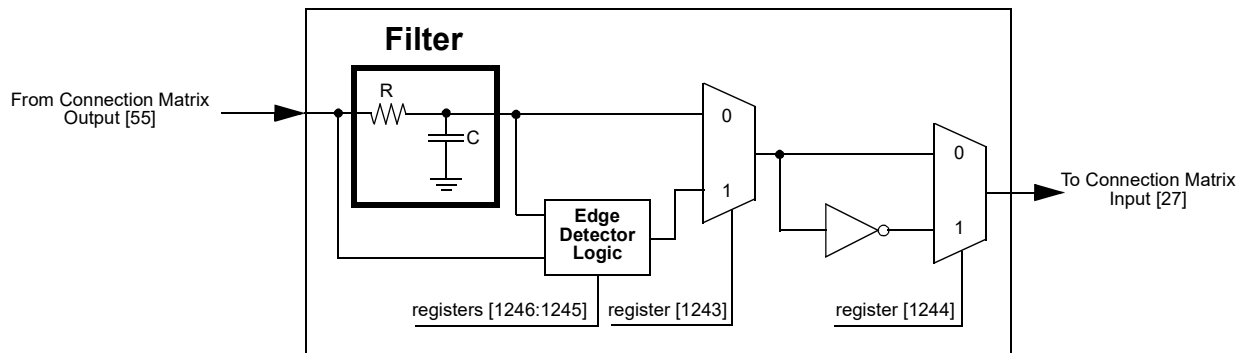
Please refer to [Table 11](#).

## GreenPAK Programmable Mixed-Signal Matrix with In System Programmability

### 11 Additional Logic Function. Deglitch Filter

The SLG46824 has one Deglitch Filter macrocell with inverter function that is connected directly to the Connection Matrix inputs and outputs. In addition, this macrocell can be configured as an Edge Detector, with the following settings:

- Rising Edge Detector
- Falling Edge Detector
- Both Edge Detector
- Both Edge Delay



**Figure 59: Deglitch Filter or Edge Detector**

## GreenPAK Programmable Mixed-Signal Matrix with In System Programmability

### 12 Voltage Reference

#### 12.1 VOLTAGE REFERENCE OVERVIEW

The SLG46824 has a Voltage Reference (Vref) Macrocell to provide references to the two analog comparators. This macrocell can supply a user selection of fixed voltage reference. The macrocell also has the option to output reference voltage on IO9. See [Table 43](#) for the available selections for each analog comparator. Also see [Figure 60](#), which shows the reference output structure.

#### 12.2 VREF SELECTION TABLE

**Table 43: Vref Selection Table**

| SEL[5:0] | Vref  | SEL[5:0] | Vref     |
|----------|-------|----------|----------|
| 0        | 0.032 | 32       | 1.056    |
| 1        | 0.064 | 33       | 1.088    |
| 2        | 0.096 | 34       | 1.12     |
| 3        | 0.128 | 35       | 1.152    |
| 4        | 0.16  | 36       | 1.184    |
| 5        | 0.192 | 37       | 1.216    |
| 6        | 0.224 | 38       | 1.248    |
| 7        | 0.256 | 39       | 1.28     |
| 8        | 0.288 | 40       | 1.312    |
| 9        | 0.32  | 41       | 1.344    |
| 10       | 0.352 | 42       | 1.376    |
| 11       | 0.384 | 43       | 1.408    |
| 12       | 0.416 | 44       | 1.44     |
| 13       | 0.448 | 45       | 1.472    |
| 14       | 0.48  | 46       | 1.504    |
| 15       | 0.512 | 47       | 1.536    |
| 16       | 0.544 | 48       | 1.568    |
| 17       | 0.576 | 49       | 1.6      |
| 18       | 0.608 | 50       | 1.632    |
| 19       | 0.64  | 51       | 1.664    |
| 20       | 0.672 | 52       | 1.696    |
| 21       | 0.704 | 53       | 1.728    |
| 22       | 0.736 | 54       | 1.76     |
| 23       | 0.768 | 55       | 1.792    |
| 24       | 0.8   | 56       | 1.824    |
| 25       | 0.832 | 57       | 1.856    |
| 26       | 0.864 | 58       | 1.888    |
| 27       | 0.896 | 59       | 1.92     |
| 28       | 0.928 | 60       | 1.952    |
| 29       | 0.96  | 61       | 1.984    |
| 30       | 0.992 | 62       | 2.016    |
| 31       | 1.024 | 63       | External |

# GreenPAK Programmable Mixed-Signal Matrix with In System Programmability

## 12.3 VREF BLOCK DIAGRAM

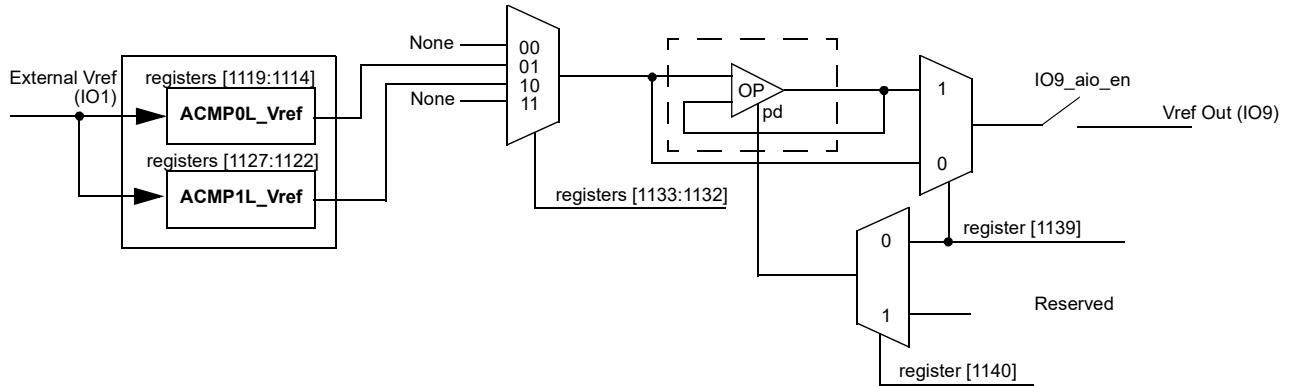


Figure 60: Voltage Reference Block Diagram

## 12.4 VREF LOAD REGULATION

**Note 1** It is not recommended to use Vref connected to external pin without buffer.

**Note 2** Vref buffer performance is not guaranteed at  $V_{DD} < 2.7$  V.

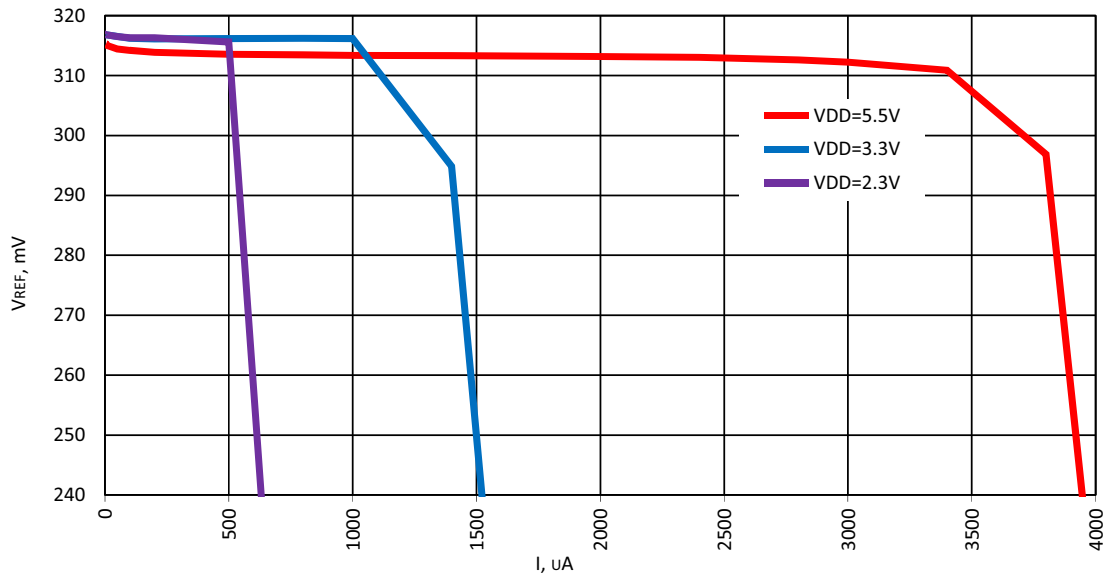


Figure 61: Typical Load Regulation, Vref = 320 mV, T = -40 °C to +85 °C, Buffer - Enable



GreenPAK Programmable Mixed-Signal Matrix with In System Programmability

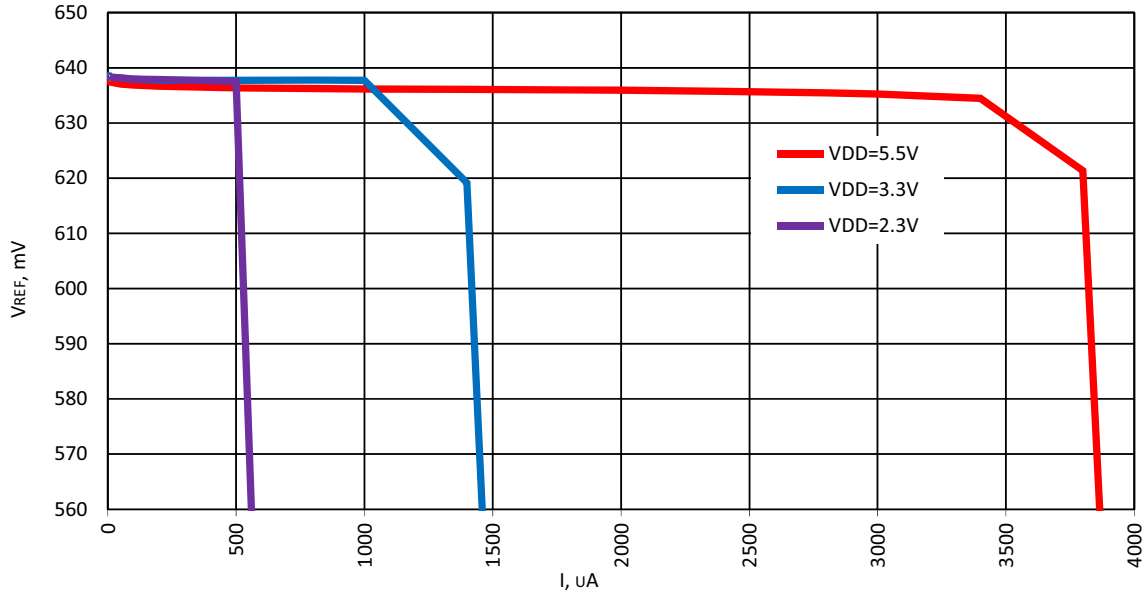


Figure 62: Typical Load Regulation, Vref = 640 mV, T = -40 °C to +85 °C, Buffer - Enable

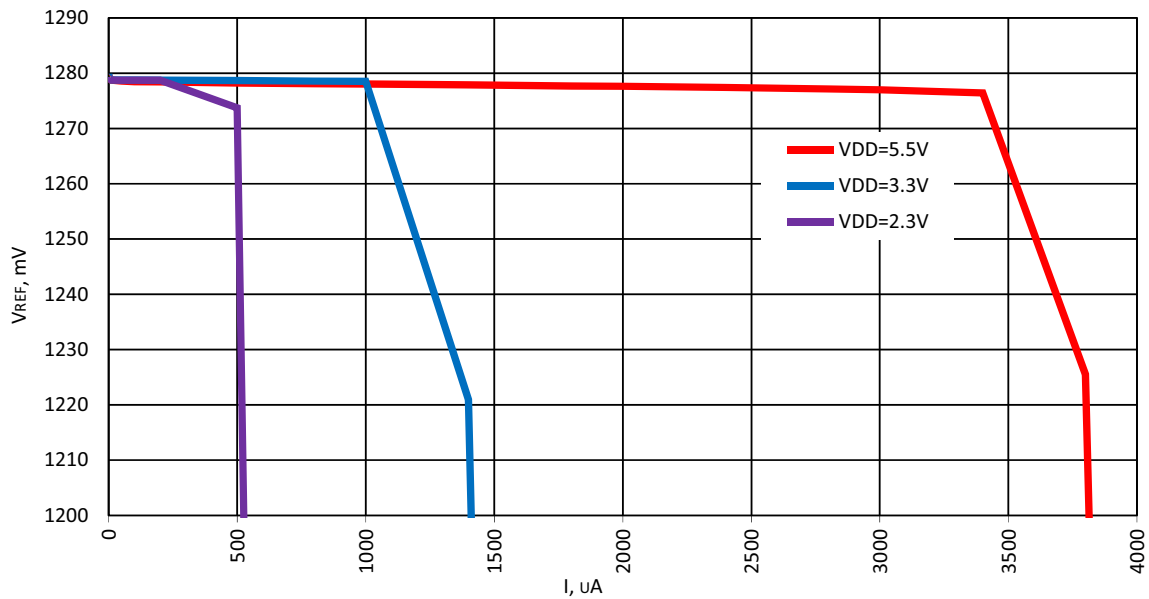


Figure 63: Typical Load Regulation, Vref = 1280 mV, T = -40 °C to +85 °C, Buffer - Enable

GreenPAK Programmable Mixed-Signal Matrix with In System Programmability

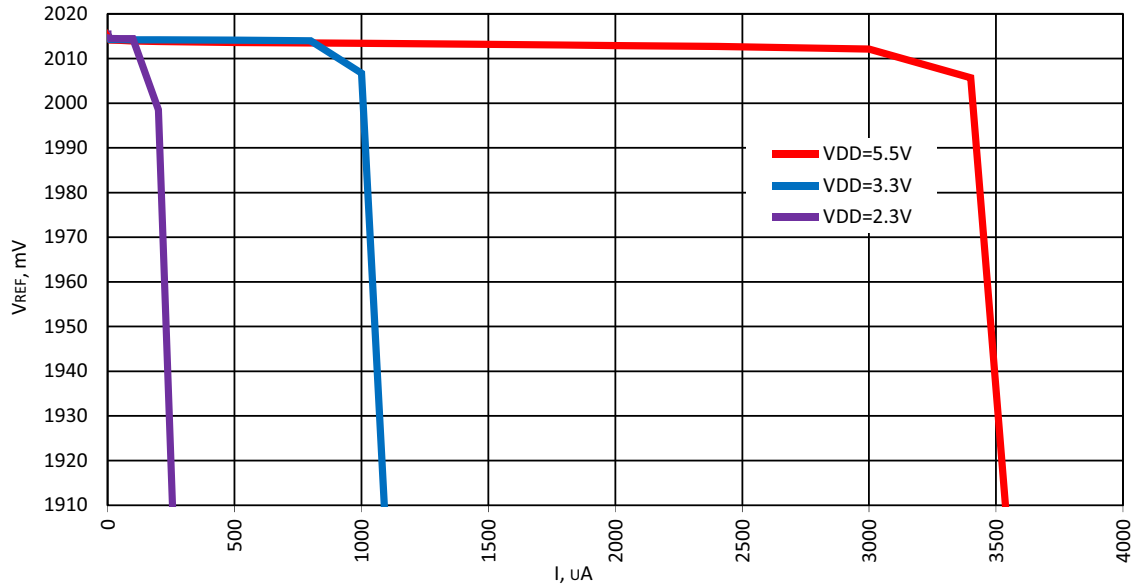


Figure 64: Typical Load Regulation, Vref = 2016 mV, T = -40 °C to +85 °C, Buffer - Enable

## GreenPAK Programmable Mixed-Signal Matrix with In System Programmability

### 13 Clocking

#### 13.1 OSCILLATOR GENERAL DESCRIPTION

The SLG46824 has three internal oscillators to support a variety of applications:

- Oscillator0 (2.048 kHz)
- Oscillator1 (2.048 MHz)
- Oscillator2 (25 MHz)

There are two divider stages for each oscillator that gives the user flexibility for introducing clock signals to connection matrix, as well as various other Macrocells. The pre-divider (first stage) for Oscillator allows the selection of /1, /2, /4 or /8 to divide down frequency from the fundamental. The second stage divider has an input of frequency from the pre-divider, and outputs one of eight different frequencies divided by /1, /2, /3, /4, /8, /12, /24 or /64 on Connection Matrix Input lines [27], [28], and [29]. Please see [Figure 68](#) for more details on the SLG46824 clock scheme.

Oscillator2 (25 MHz) has an additional function of 100 ns delayed startup, which can be enabled/disabled by register [1052]. This function is recommended to use when analog blocks are used along with the Oscillator.

The Matrix Power-down/Force On function allows switching off or force on the oscillator using an external pin. The Matrix Power-down/Force On (Connection Matrix Output [72], [73], [74]) signal has the highest priority. The OSC operates according to the [Table 44](#).

**Table 44: Oscillator Operation Mode Configuration Settings**

| POR | External Clock Selection | Signal From Connection Matrix | Register: Power-Down or Force On by Matrix Input | Register: Auto Power-On or Force On | OSC Enable Signal from CNT/DLY Macrocells | OSC Operation Mode               |
|-----|--------------------------|-------------------------------|--|-------------------------------------|---|----------------------------------|
| 0   | X                        | X                             | X  | X                                   | X   | OFF                              |
| 1   | 1                        | X                             | X  | X                                   | X   | Internal OSC is OFF, logic is ON |
| 1   | 0                        | 1                             | 0  | X                                   | X   | OFF                              |
| 1   | 0                        | 1                             | 1  | X                                   | X   | ON                               |
| 1   | 0                        | 0                             | X  | 1                                   | X   | ON                               |
| 1   | 0                        | 0                             | X  | 0                                   | CNT/DLY requires OSC                      | ON                               |
| 1   | 0                        | 0                             | X  | 0                                   | CNT/DLY does not require OSC              | OFF                              |

**Note 1** The OSC will run only when any macrocell that uses OSC is powered on.

# GreenPAK Programmable Mixed-Signal Matrix with In System Programmability

## 13.2 OSCILLATOR0 (2.048 KHZ)

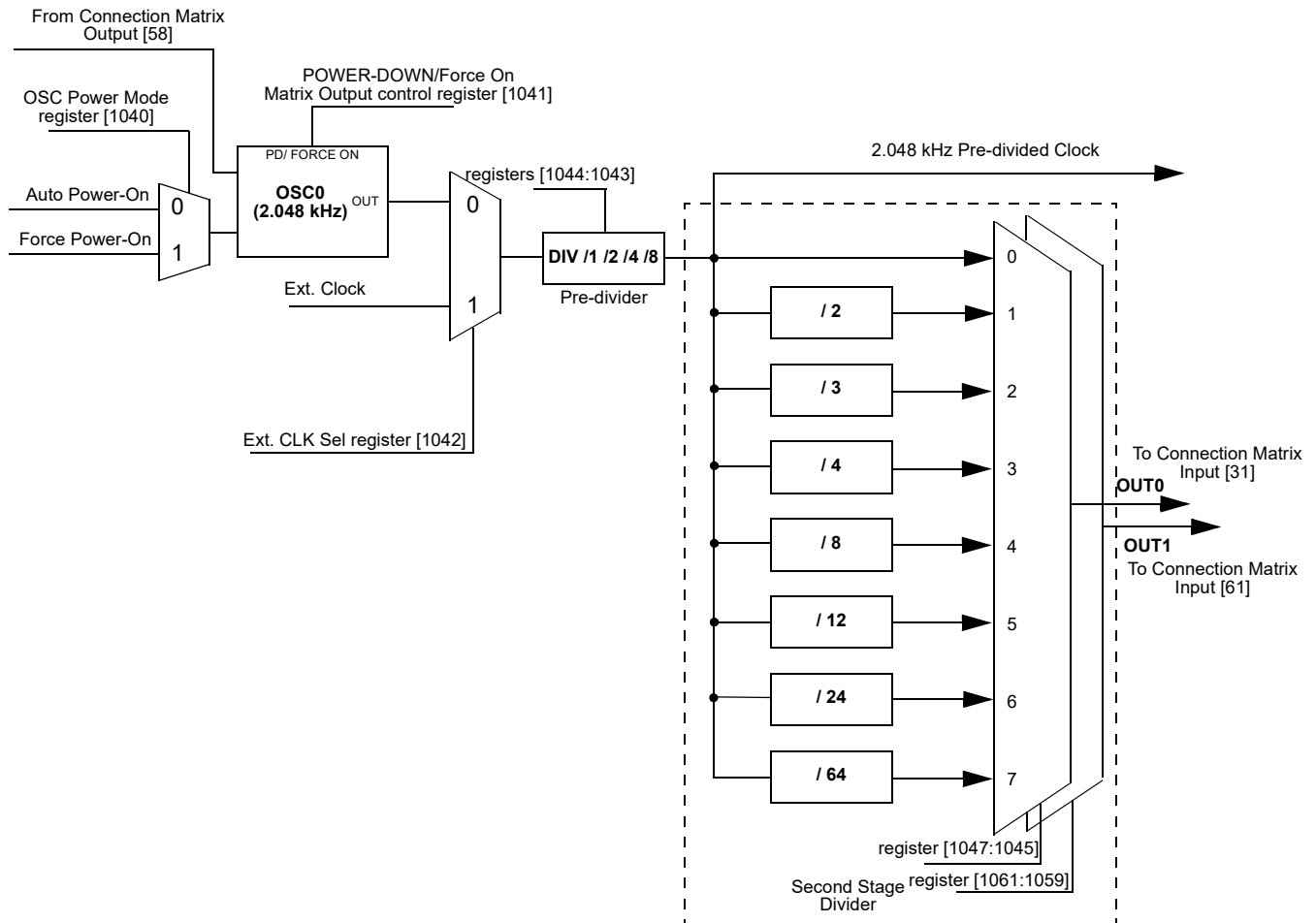


Figure 65: Oscillator0 Block Diagram

# GreenPAK Programmable Mixed-Signal Matrix with In System Programmability

## 13.3 OSCILLATOR1 (2.048 MHZ)

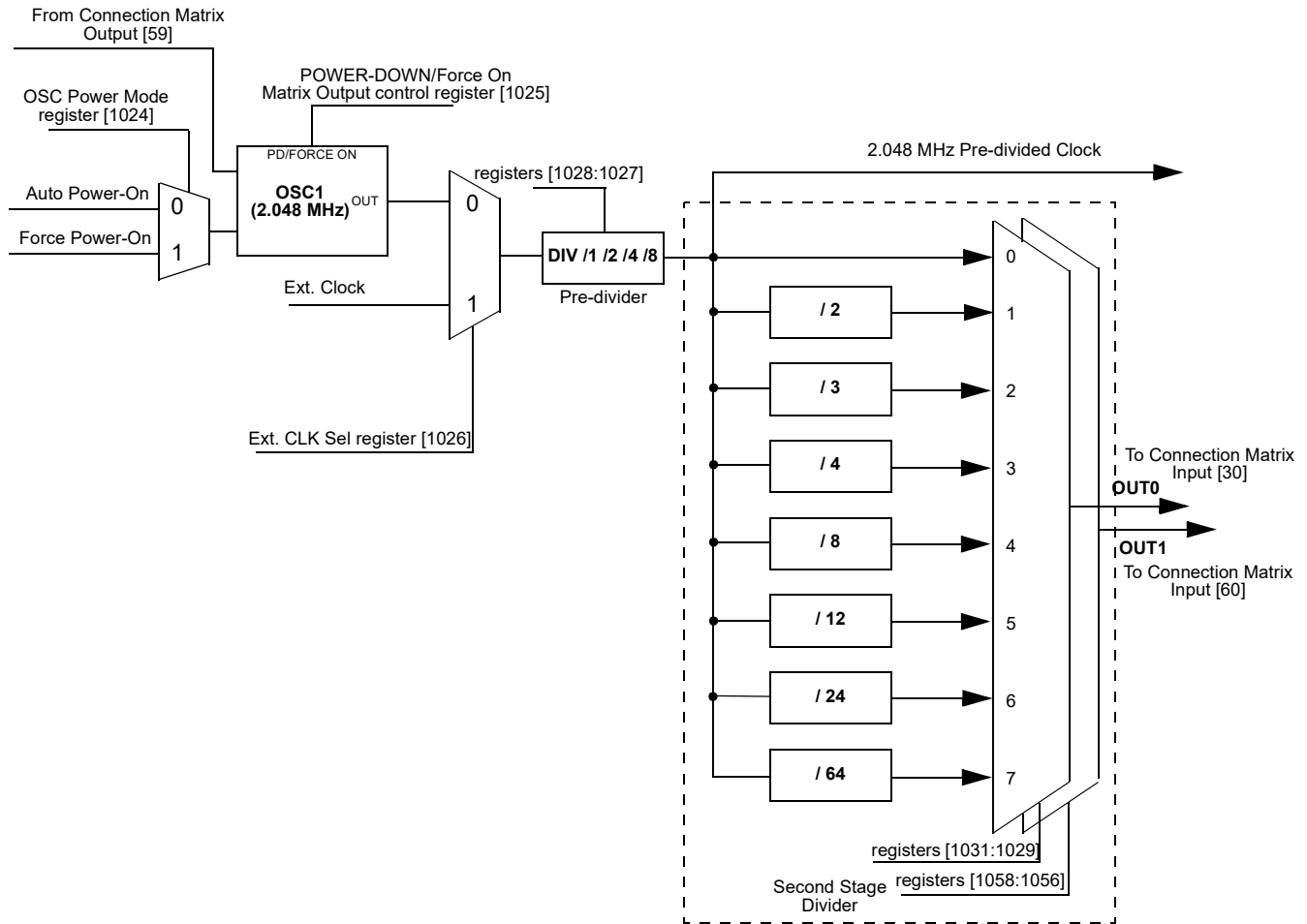


Figure 66: Oscillator1 Block Diagram

GreenPAK Programmable Mixed-Signal Matrix with In System Programmability

13.4 OSCILLATOR2 (25 MHZ)

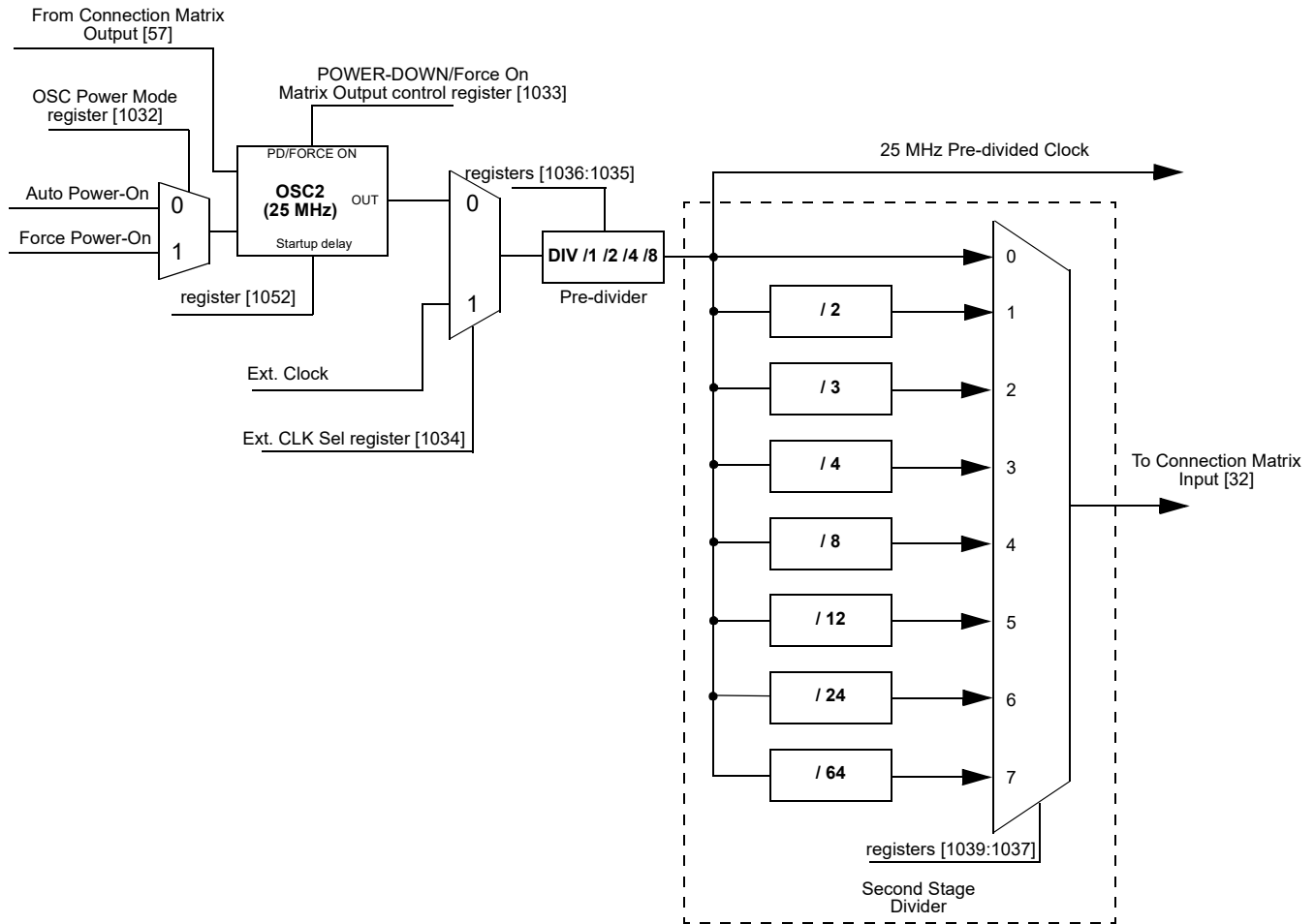


Figure 67: Oscillator2 Block Diagram

## GreenPAK Programmable Mixed-Signal Matrix with In System Programmability

### 13.5 CLOCK SCHEME

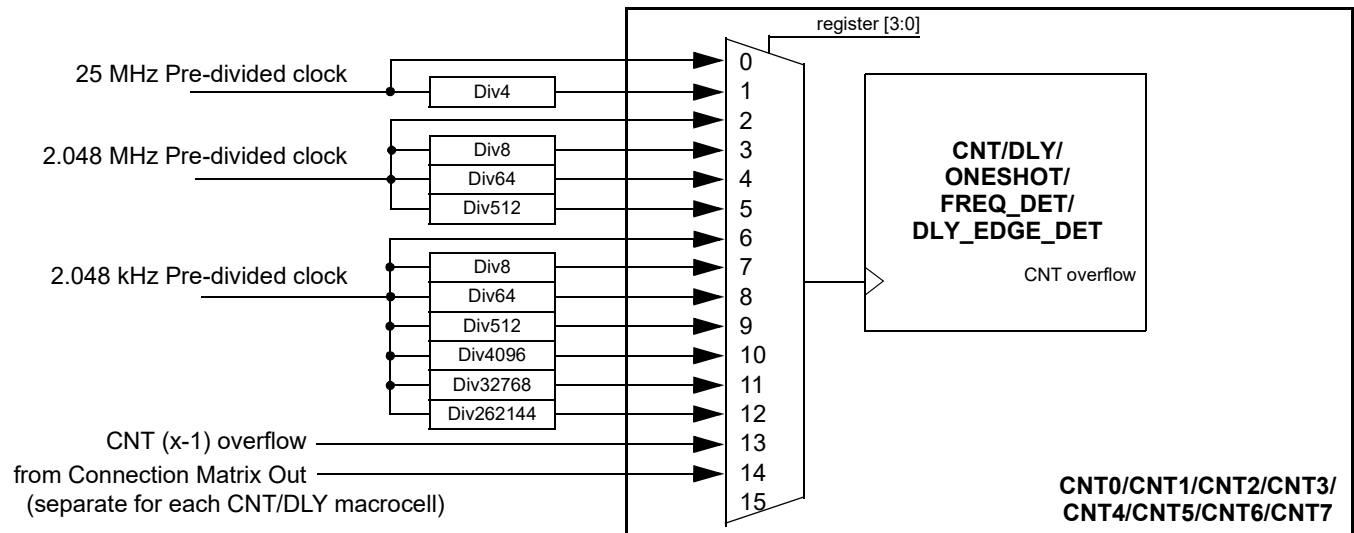


Figure 68: Clock Scheme

### 13.6 EXTERNAL CLOCKING

The SLG46824 supports several ways to use an external, higher accuracy clock as a reference source for internal operations.

#### 13.6.1 IO0 Source for Oscillator0 (2.048 kHz)

When register [1042] is set to 1, an external clocking signal on IO0 will be routed in place of the internal oscillator derived 2.048 kHz clock source. See Figure 65. The high and low limits for frequency that can be selected are 0 MHz and 10 MHz.

#### 13.6.2 IO10 Source for Oscillator1 (2.048 MHz)

When register [1026] is set to 1, an external clocking signal on IO10 will be routed in place of the internal oscillator derived 2.048 MHz clock source. See Figure 66. The high and low limits for frequency that can be selected are 0 MHz and 10 MHz.

#### 13.6.3 IO8 Source for Oscillator2 (25 MHz)

When register [1034] is set to 1, an external clocking signal on IO8 will be routed in place of the internal oscillator derived 25 MHz clock source. See Figure 67. The external frequency range is 0 MHz to 20 MHz at  $V_{DD} = 2.3\text{ V}$ , 0 MHz to 30 MHz at  $V_{DD} = 3.3\text{ V}$ , 0 MHz to 50 MHz at  $V_{DD} = 5.0\text{ V}$ .

GreenPAK Programmable Mixed-Signal Matrix with In System Programmability

13.7 OSCILLATORS POWER-ON DELAY

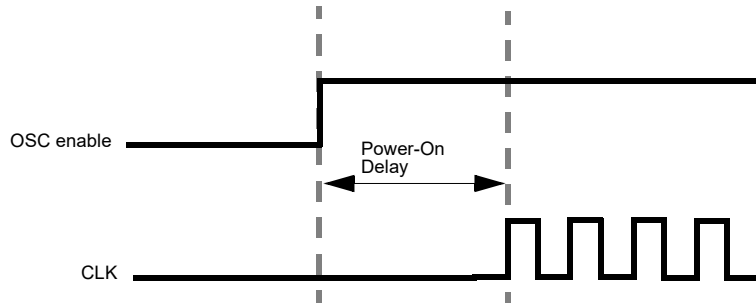


Figure 69: Oscillator Startup Diagram

**Note 1** OSC power mode: “Auto Power-On”.

**Note 2** “OSC enable” signal appears when any macrocell that uses OSC is powered on.

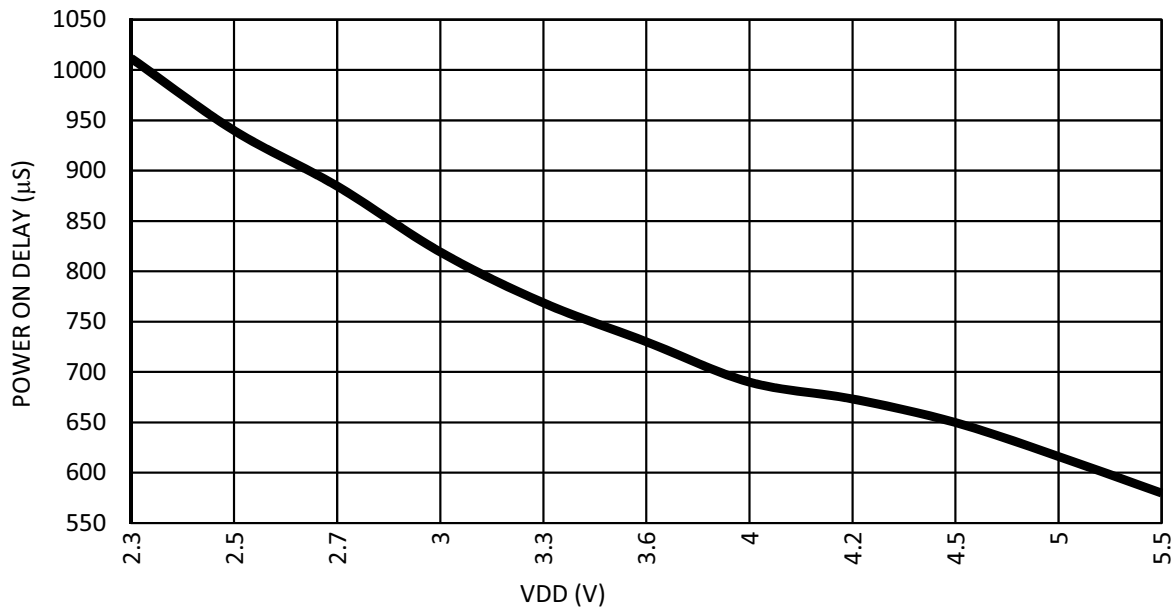


Figure 70: Oscillator0 Maximum Power-On Delay vs. V<sub>DD</sub> at T = 25 °C, OSC0 = 2.048 kHz



GreenPAK Programmable Mixed-Signal Matrix with In System Programmability

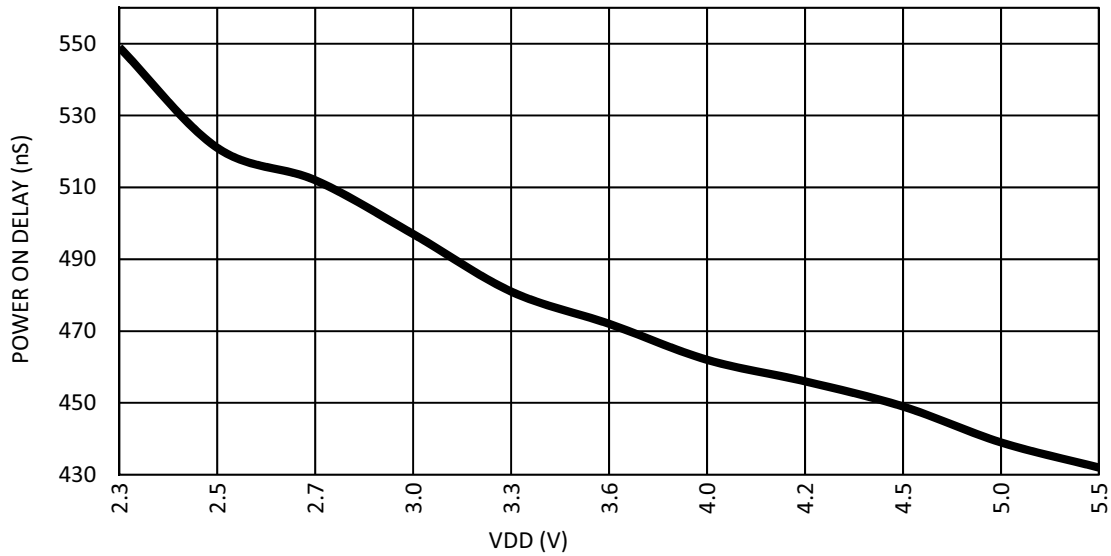


Figure 71: Oscillator1 Maximum Power-On Delay vs. V<sub>DD</sub> at T = 25 °C, OSC1 = 2.048 MHz

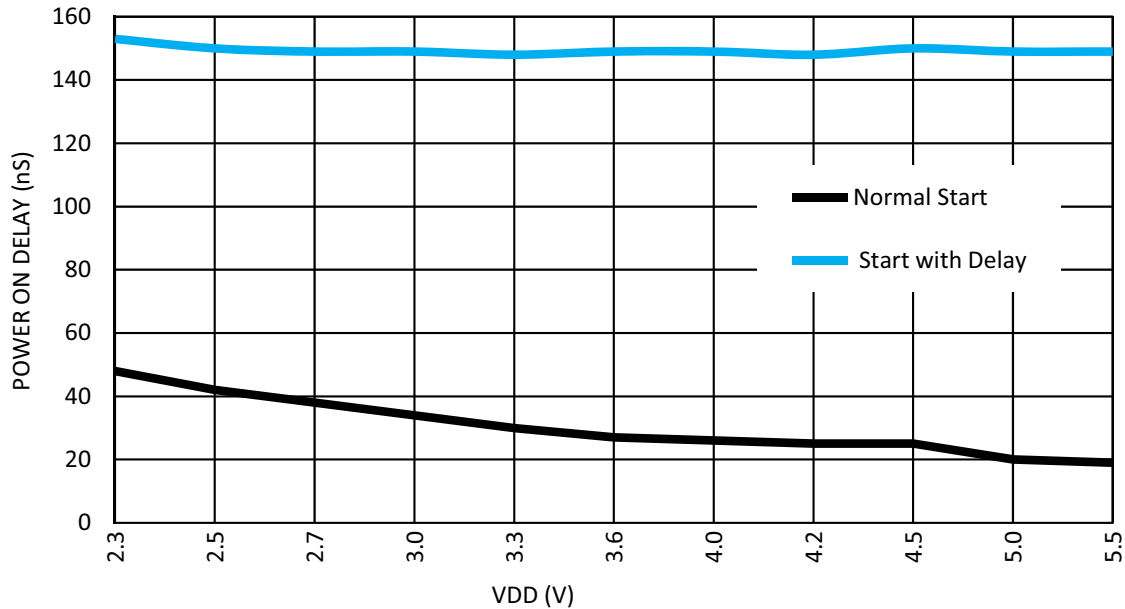


Figure 72: Oscillator2 Maximum Power-On Delay vs. V<sub>DD</sub> at T = 25 °C, OSC2 = 25 MHz

Note: OSC power setting: Force Power-On; Clock to matrix input - enable; Bandgap: turn on by register - enable.

GreenPAK Programmable Mixed-Signal Matrix with In System Programmability

13.8 OSCILLATORS ACCURACY

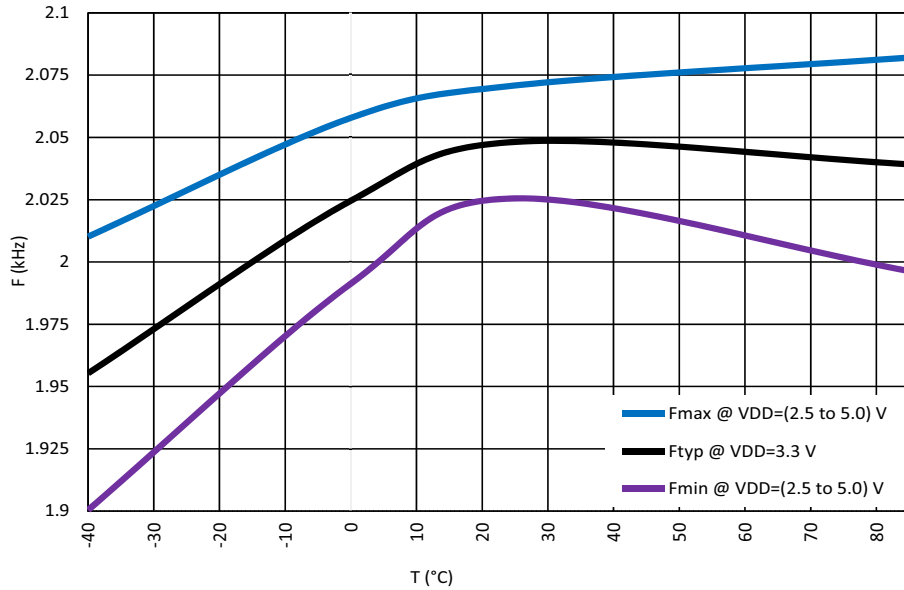


Figure 73: Oscillator0 Frequency vs. Temperature, OSC0 = 2.048 kHz

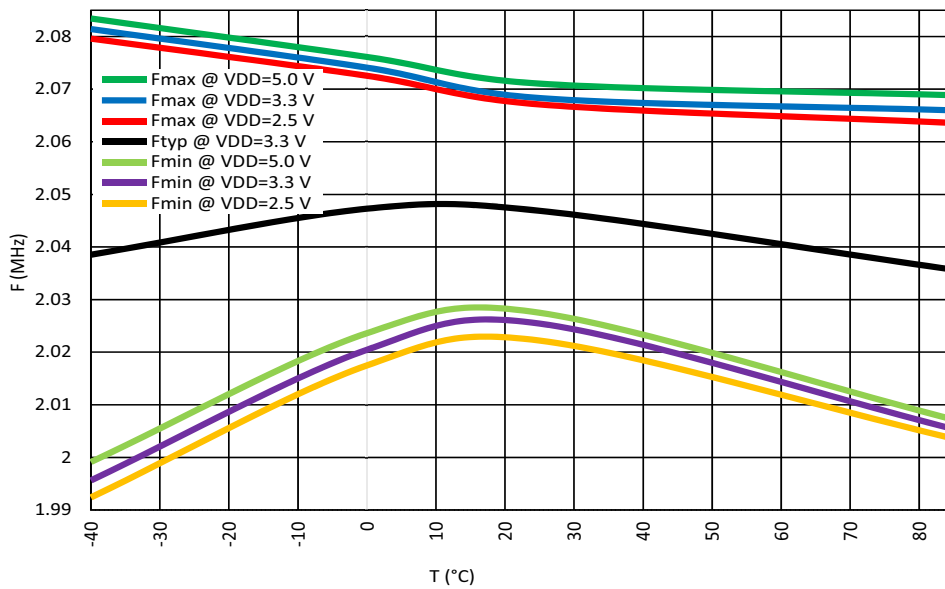


Figure 74: Oscillator1 Frequency vs. Temperature, OSC1 = 2.048 MHz

GreenPAK Programmable Mixed-Signal Matrix with In System Programmability

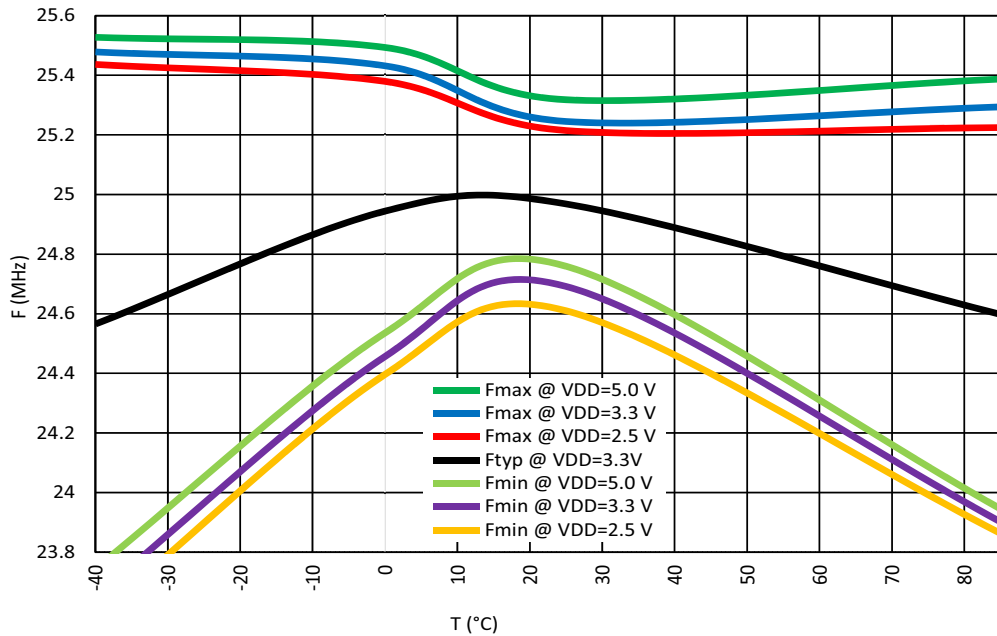


Figure 75: Oscillator2 Frequency vs. Temperature, OSC2 = 25 MHz

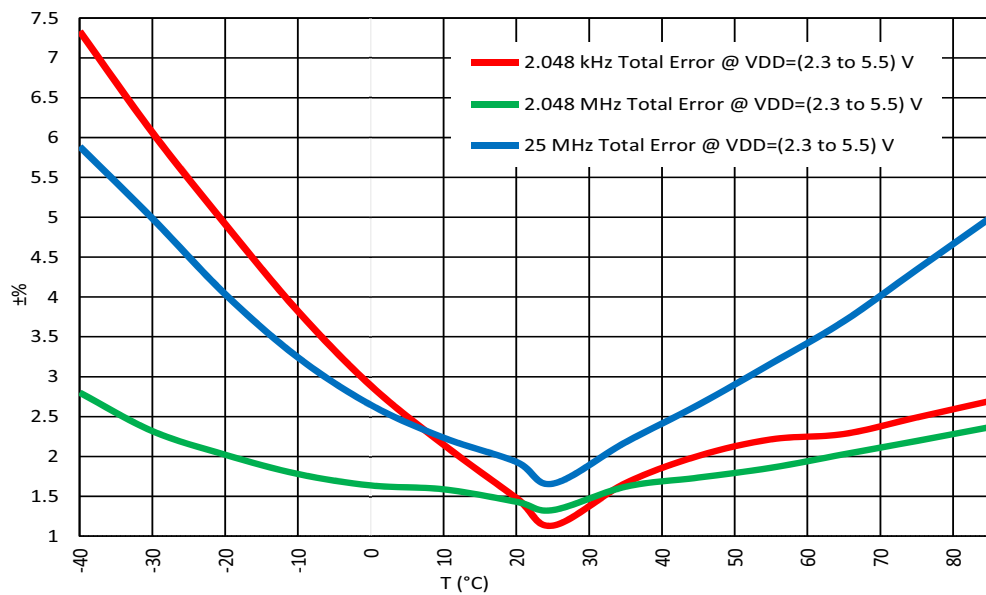


Figure 76: Oscillators Total Error vs. Temperature

Note: For more information see Section 3.6.

**GreenPAK Programmable Mixed-Signal Matrix with In System Programmability**

**Table 45: Oscillator Output Duty Cycle**

| Pre-divider | Second Stage Divider |      |                      |              |      |                      |                      |                      |                      |                      |
|-------------|----------------------|------|----------------------|--------------|------|----------------------|----------------------|----------------------|----------------------|----------------------|
|             | OSC0<br>OSC1         | OSC2 | OSC0<br>OSC1<br>OSC2 | OSC0<br>OSC1 | OSC2 | OSC0<br>OSC1<br>OSC2 | OSC0<br>OSC1<br>OSC2 | OSC0<br>OSC1<br>OSC2 | OSC0<br>OSC1<br>OSC2 | OSC0<br>OSC1<br>OSC2 |
|             | 1                    |      | 2                    | 3            |      | 4                    | 8                    | 12                   | 24                   | 64                   |
| 1           | 50                   | 60   | 50                   | 33.3         | 66   | 50                   | 50                   | 50                   | 50                   | 50                   |
| 2           | 50                   | 50   | 50                   | 33.3         | 66   | 50                   | 50                   | 50                   | 50                   | 50                   |
| 4           | 50                   | 50   | 50                   | 33.3         | 66   | 50                   | 50                   | 50                   | 50                   | 50                   |
| 8           | 50                   | 50   | 50                   | 33.3         | 66   | 50                   | 50                   | 50                   | 50                   | 50                   |

## GreenPAK Programmable Mixed-Signal Matrix with In System Programmability

### 14 Power-On Reset

The SLG46824 has a Power-On Reset (POR) macrocell to ensure correct device initialization and operation of all macrocells in the device. The purpose of the POR circuit is to have consistent behavior and predictable results when the  $V_{DD}$  power is first ramping to the device, and also while the  $V_{DD}$  is falling during power-down. To accomplish this goal, the POR drives a defined sequence of internal events that trigger changes to the states of different macrocells inside the device, and finally to the state of the IOs.

#### 14.1 GENERAL OPERATION

The SLG46824 is guaranteed to be powered down and non-operational when the  $V_{DD}$  voltage (voltage on PIN1 for STQFN package; voltage on PIN20 for TSSOP package) is less than Power-Off Threshold (see in [Table 3.4](#)), but not less than -0.6 V. Another essential condition for the chip to be powered down is that no voltage higher (Note) than the  $V_{DD}$  voltage is applied to any other PIN. For example, if  $V_{DD}$  voltage is 0.3 V, applying a voltage higher than 0.3 V to any other PIN is incorrect, and can lead to incorrect or unexpected device behavior.

**Note:** There is a 0.6 V margin due to forward drop voltage of the ESD protection diodes.

To start the POR sequence in the SLG46824, the voltage applied on the  $V_{DD}$  should be higher than the Power-On threshold (Note). The full operational  $V_{DD}$  range for the SLG46824 is 2.3 V to 5.5 V. This means that the  $V_{DD}$  voltage must ramp up to the operational voltage value, but the POR sequence will start earlier, as soon as the  $V_{DD}$  voltage rises to the Power-On threshold. After the POR sequence has started, the SLG46824 will have a typical Startup Time (see in [Table 3.4](#)) to go through all the steps in the sequence, and will be ready and completely operational after the POR sequence is complete.

**Note:** The Power-On threshold is defined in [Table 3.4](#).

To power-down the chip, the  $V_{DD}$  voltage should be lower than the operational and to guarantee that chip is powered down, it should be less than Power-Off Threshold.

All PINs are in high impedance state when the chip is powered down and while the POR sequence is taking place. The last step in the POR sequence releases the IO structures from the high impedance state, at which time the device is operational. The pin configuration at this point in time is defined by the design programmed into the chip. Also, as it was mentioned before, the voltage on PINs can't be bigger than the  $V_{DD}$ , this rule also applies to the case when the chip is powered on.

## GreenPAK Programmable Mixed-Signal Matrix with In System Programmability

### 14.2 POR SEQUENCE

The POR system generates a sequence of signals that enable certain macrocells. The sequence is shown in [Figure 77](#).

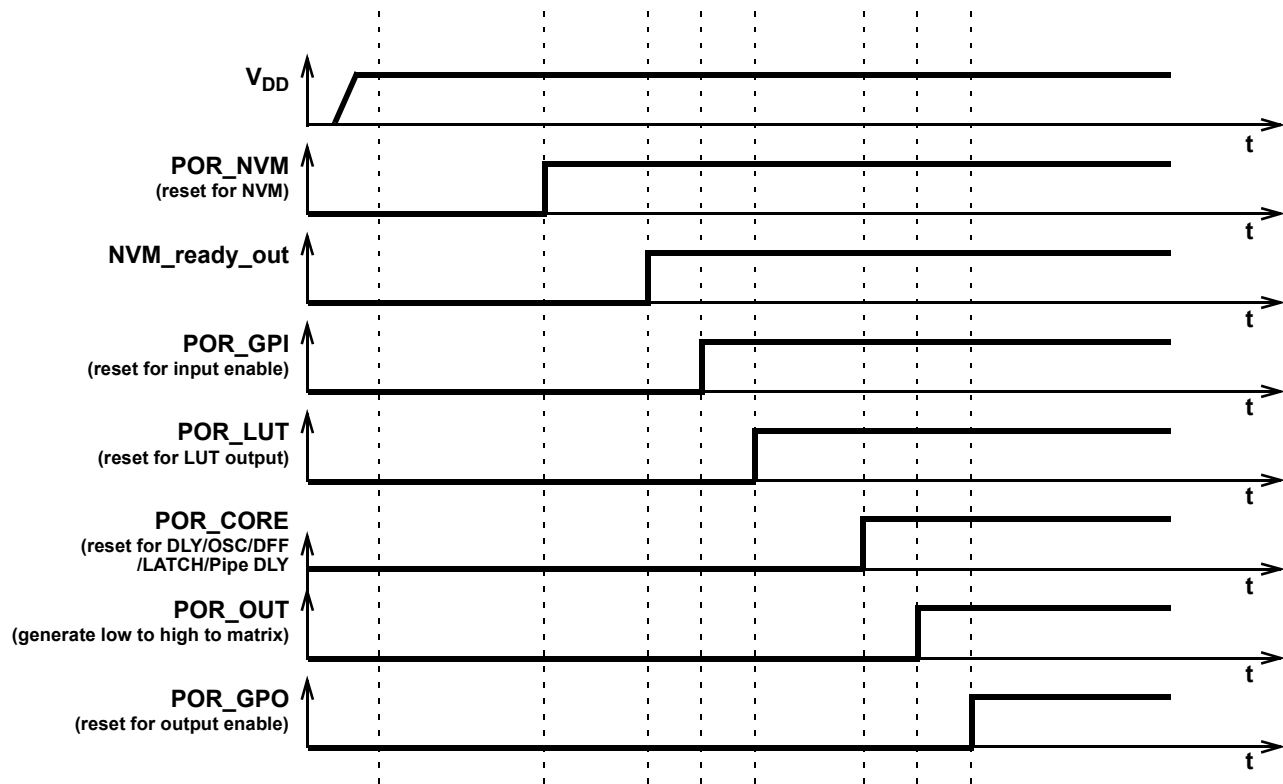


Figure 77: POR Sequence

As can be seen from [Figure 77](#) after the  $V_{DD}$  has started ramping up and crossed the Power-On threshold, first, the on-chip NVM memory is reset. Next, the chip reads the data from NVM, and transfers this information to a CMOS LATCH that serves to configure each macrocell, and the Connection Matrix which routes signals between macrocells. The third stage causes the reset of the input pins, and then to enable them. After that, the LUTs are reset and become active. After LUTs, the Delay cells, OSCs, DFFs, LATCHES, and Pipe Delay are initialized. Only after all macrocells are initialized, internal POR signal (POR macrocell output) goes from LOW to HIGH (POR\_OUT in [Figure 77](#)). The last portion of the device to be initialized is the output pins, which transition from high impedance to active at this point.

The typical time that takes to complete the POR sequence varies by device type in the GreenPAK family. It also depends on many environmental factors, such as: slew rate,  $V_{DD}$  value, temperature, and even will vary from chip to chip (process influence).

### 14.3 MACROCELLS OUTPUT STATES DURING POR SEQUENCE

To have a full picture of SLG46824 operation during powering and POR sequence, refer to [Figure 78](#) which describes the macrocell output states during the POR sequence.

First, before the NVM has been reset, all macrocells have their output set to logic LOW (except the output pins which are in high impedance state). On the next step, some of the macrocells start initialization: input pins output state becomes LOW; LUTs also output LOW. After that input pins are enabled. Next, only LUTs are configured. Then, all other macrocells are initialized. After

## GreenPAK Programmable Mixed-Signal Matrix with In System Programmability

macrocells are initialized, internal POR matrix signal switches from LOW to HIGH. The last are output pins that become active and determined by the input signals.

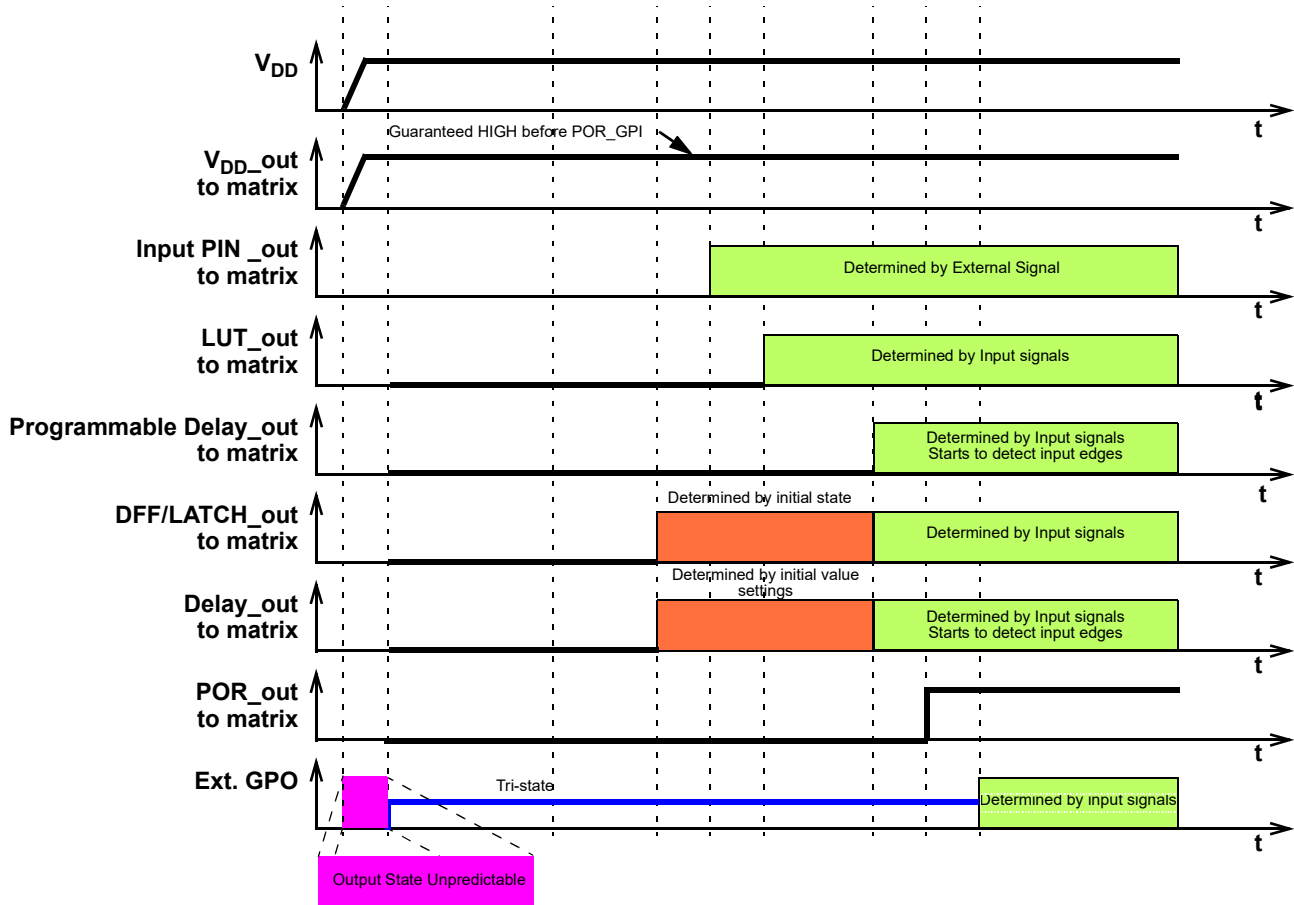


Figure 78: Internal Macrocell States during POR Sequence

### 14.3.1 Initialization

All internal macrocells by default have initial low level. Starting from indicated power-up time of 1.63 V to 2.04 V, macrocells in SLG46824 are powered on while forced to the reset state. All outputs are in Hi-Z and chip starts loading data from NVM. Then the reset signal is released for internal macrocells and they start to initialize according to the following sequence:

1. Input pins, Pull-up/down.
2. LUTs.
3. DFFs, Delays/Counters, Pipe Delay, OSCs, ACMPs.
4. POR output to matrix.
5. Output pin corresponds to the internal logic.

The Vref output pin driving signal can precede POR output signal going high by 3  $\mu$ s to 5  $\mu$ s. The POR signal going high indicates the mentioned power-up sequence is complete.

**Note:** The maximum voltage applied to any pin should not be higher than the  $V_{DD}$  level. There are ESD Diodes between pin  $\rightarrow$   $V_{DD}$  and pin  $\rightarrow$  GND on each pin. Exceeding  $V_{DD}$  results in leakage current on the input pin, and  $V_{DD}$  will be pulled up, following the voltage on the input pin.

## GreenPAK Programmable Mixed-Signal Matrix with In System Programmability

### 14.3.2 Power-Down

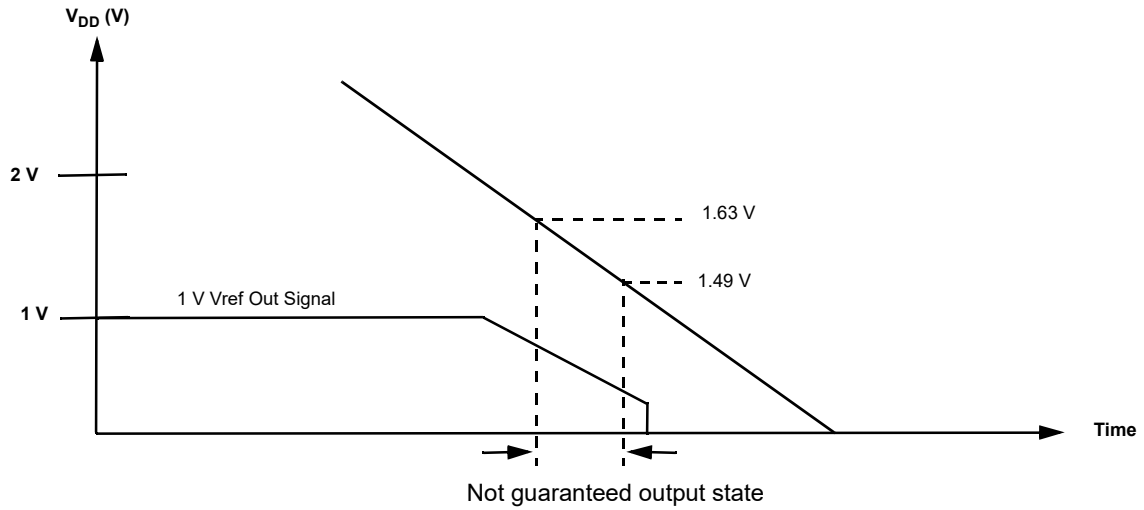


Figure 79: Power-Down

During power-down, macrocells in SLG46824 are powered off after  $V_{DD}$  falling down below Power-Off Threshold. Please note that during a slow rampdown, outputs can possibly switch state.



## GreenPAK Programmable Mixed-Signal Matrix with In System Programmability

### 15 I<sup>2</sup>C Serial Communications Macrocell

#### 15.1 I<sup>2</sup>C SERIAL COMMUNICATIONS MACROCELL OVERVIEW

In the standard use case for the GreenPAK devices, the configuration choices made by the user are stored as bit settings in the Non-Volatile Memory (NVM), and this information is transferred at startup time to volatile RAM registers that enable the configuration of the macrocells. Other RAM registers in the device are responsible for setting the connections in the Connection Matrix to route signals in the manner most appropriate for the user's application.

The I<sup>2</sup>C Serial Communications Macrocell in this device allows an I<sup>2</sup>C bus Master to read and write this information via a serial channel directly to the RAM registers, allowing the remote re-configuration of macrocells, and remote changes to signal chains within the device.

An I<sup>2</sup>C bus Master is also able read and write other register bits that are not associated with NVM memory. As an example, the input lines to the Connection Matrix can be read as digital register bits. These are the signal outputs of each of the macrocells in the device, giving an I<sup>2</sup>C bus Master the capability to remotely read the current value of any macrocell.

The user has the flexibility to control read access and write access via registers bits registers [1795:1792]. See Section 16 for more details on I<sup>2</sup>C read/write memory protection.

#### 15.2 I<sup>2</sup>C SERIAL COMMUNICATIONS DEVICE ADDRESSING

Each command to the I<sup>2</sup>C Serial Communications macrocell begins with a Control Byte. The bits inside this Control Byte are shown in Figure 80. After the Start bit, the first four bits are a control code. Each bit in a control code can be sourced independently from the register or by value defined externally by IO5, IO4, IO3, and IO2. The LSB of the control code is defined by the value of IO2, while the MSB is defined by the value of IO5. The address source (either register bit or PIN) for each bit in the control code is defined by registers [1623:1620]. This gives the user flexibility on the chip level addressing of this device and other devices on the same I<sup>2</sup>C bus. The default control code is 0001. The Block Address is the next three bits (A10, A9, A8), which will define the most significant bits in the addressing of the data to be read or written by the command. The last bit in the Control Byte is the R/W bit, which selects whether a read command or write command is requested, with a "1" selecting for a Read command, and a "0" selecting for a Write command. This Control Byte will be followed by an Acknowledge bit (ACK), which is sent by this device to indicate successful communication of the Control Byte data.

In the I<sup>2</sup>C-bus specification and user manual, there are two groups of eight addresses (0000 xxx and 1111 xxx) that are reserved for the special functions, such as a system General Call address. If the user of this device chooses to set the Control Code to either "1111" or "0000" in a system with other slave device, please consult the I<sup>2</sup>C-bus specification and user manual to understand the addressing and implementation of these special functions, to insure reliable operation.

In the read and write command address structure, there are a total of 11 bits of addressing, each pointing to a unique byte of information, resulting in a total address space of 16K bytes. The valid addresses are shown in the memory map in Figure 90.

With the exception of the Current Address Read command, all commands will have the Control Byte followed by the Word Address.

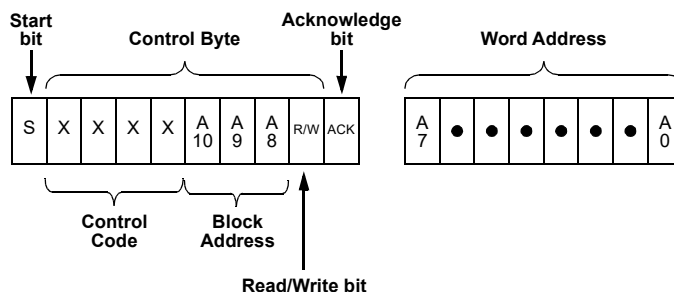


Figure 80: Basic Command Structure

## GreenPAK Programmable Mixed-Signal Matrix with In System Programmability

### 15.3 I<sup>2</sup>C SERIAL GENERAL TIMING

General timing characteristics for the I<sup>2</sup>C Serial Communications macrocell are shown in Figure 81. Timing specifications can be found in the Section 3.4.

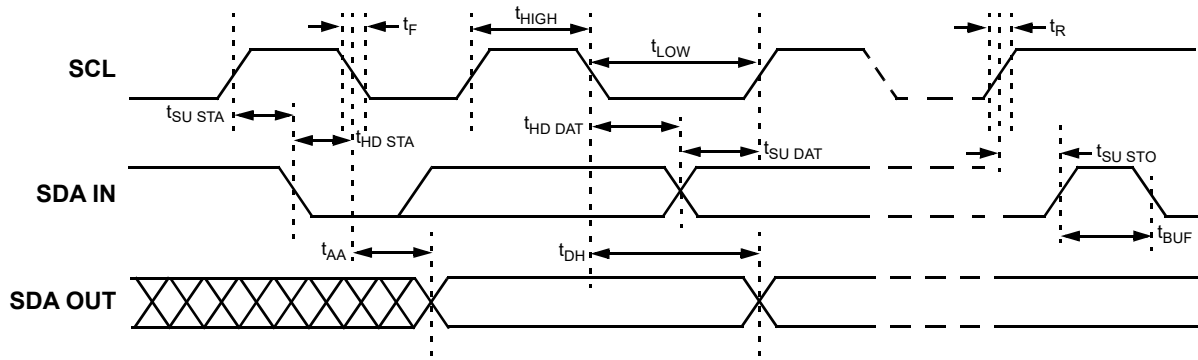


Figure 81: I<sup>2</sup>C General Timing Characteristics

### 15.4 I<sup>2</sup>C SERIAL COMMUNICATIONS COMMANDS

#### 15.4.1 Byte Write Command

Following the Start condition from the Master, the Control Code [4 bits], the Block Address [3 bits], and the R/W bit (set to “0”) are placed onto the I<sup>2</sup>C bus by the Master. After the SLG46824 sends an Acknowledge bit (ACK), the next byte transmitted by the Master is the Word Address. The Block Address (A10, A9, A8), combined with the Word Address (A7 through A0), together set the internal address pointer in the SLG46824 where the data byte is to be written. After the SLG46824 sends another Acknowledge bit, the Master will transmit the data byte to be written into the addressed memory location. The SLG46824 again provides an Acknowledge bit and then the Master generates a Stop condition. The internal write cycle for the data will take place at the time that the SLG46824 generates the Acknowledge bit.

It is possible to latch all IOs during I<sup>2</sup>C write command to the register configuration data (block address A10A9A8 = 000), register [1602] = 1 - Enable. It means that IOs will remain their state until the write command is done.

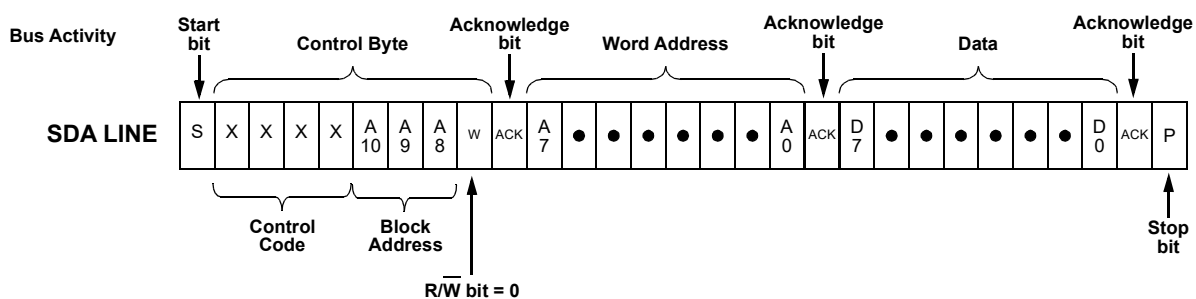


Figure 82: Byte Write Command, R/W = 0

## GreenPAK Programmable Mixed-Signal Matrix with In System Programmability

### 15.4.2 Sequential Write Command

The write Control Byte, Word Address, and the first data byte are transmitted to the SLG46824 in the same way as in a Byte Write command. However, instead of generating a Stop condition, the Bus Master continues to transmit data bytes to the SLG46824. Each subsequent data byte will increment the internal address counter, and will be written into the next higher byte in the command addressing. As in the case of the Byte Write command, the internal write cycle will take place at the time that the SLG46824 generates the Acknowledge bit.

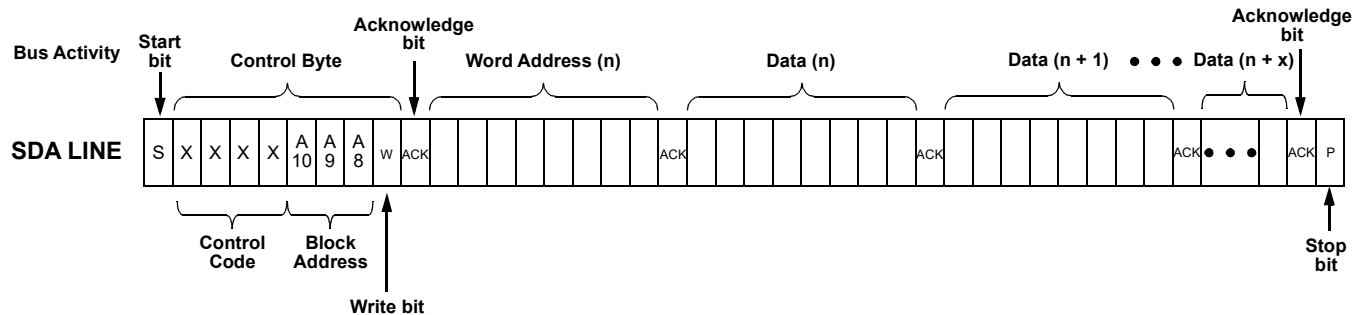


Figure 83: Sequential Write Command

### 15.4.3 Current Address Read Command

The Current Address Read Command reads from the current pointer address location. The address pointer is incremented at the first STOP bit following any write control byte. For example, if a Sequential Read command (which contains a write control byte) reads data up to address n, the address pointer would get incremented to n + 1 upon the STOP of that command. Subsequently, a Current Address Read that follows would start reading data at n + 1. The Current Address Read Command contains the Control Byte sent by the Master, with the R/W bit = "1". The SLG46824 will issue an Acknowledge bit, and then transmit eight data bits for the requested byte. The Master will not issue an Acknowledge bit, and follow immediately with a Stop condition.

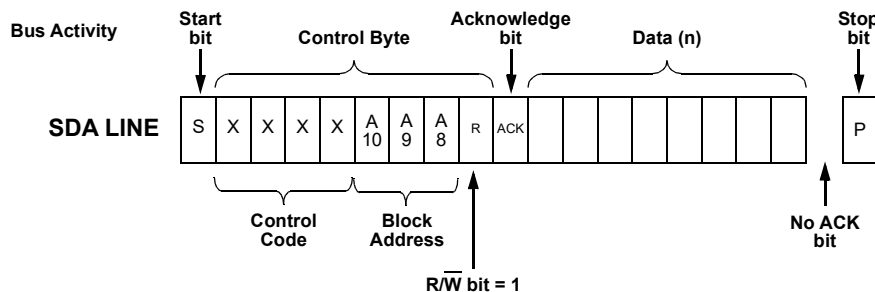


Figure 84: Current Address Read Command,  $\overline{R/W} = 1$

### 15.4.4 Random Read Command

The Random Read command starts with a Control Byte (with R/W bit set to "0", indicating a write command) and Word Address to set the internal byte address, followed by a Start bit, and then the Control Byte for the read (exactly the same as the Byte Write command). The Start bit in the middle of the command will halt the decoding of a Write command, but will set the internal address counter in preparation for the second half of the command. After the Start bit, the Bus Master issues a second control byte with the R/W bit set to "1", after which the SLG46824 issues an Acknowledge bit, followed by the requested eight data bits.

## GreenPAK Programmable Mixed-Signal Matrix with In System Programmability

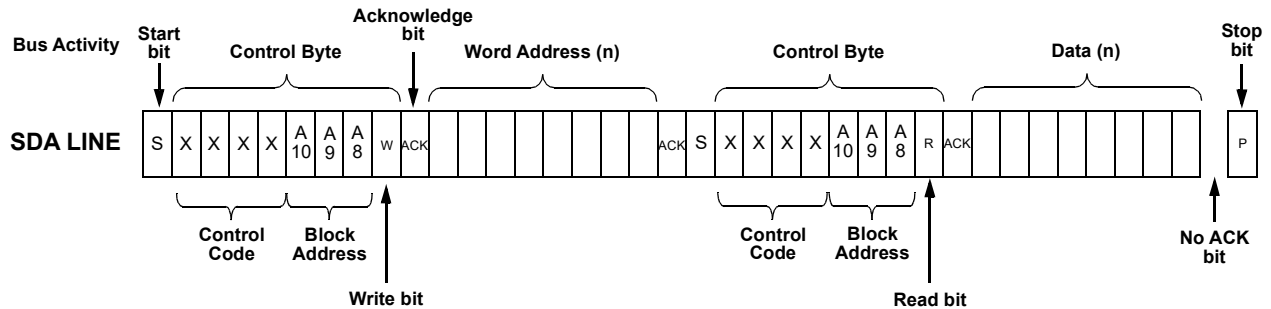


Figure 85: Random Read Command

### 15.4.5 Sequential Read Command

The Sequential Read command is initiated in the same way as a Random Read command, except that once the SLG46824 transmits the first data byte, the Bus Master issues an Acknowledge bit as opposed to a Stop condition in a random read. The Bus Master can continue reading sequential bytes of data, and will terminate the command with a Stop condition.

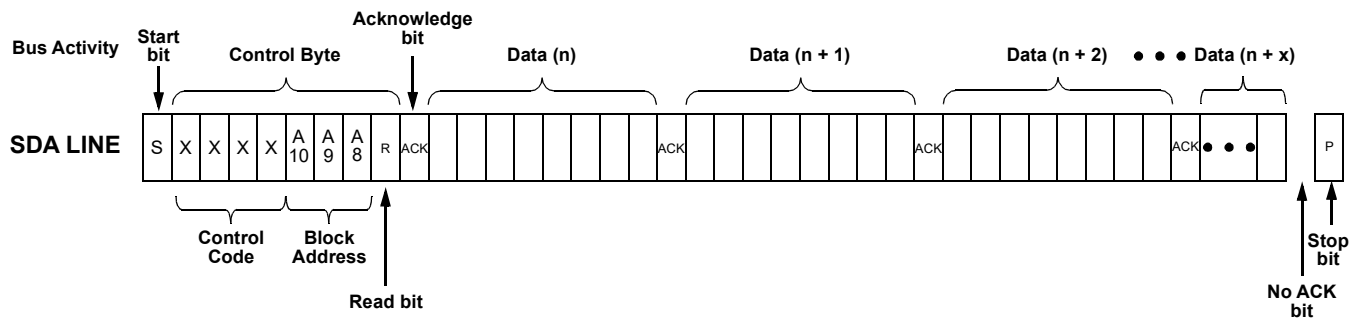


Figure 86: Sequential Read Command

### 15.4.6 I<sup>2</sup>C Serial Reset Command

If I<sup>2</sup>C serial communication is established with the device, it is possible to reset the device to initial power up conditions, including configuration of all macrocells, and all connections provided by the Connection Matrix. This is implemented by setting register [1601] I<sup>2</sup>C reset bit to “1”, which causes the device to re-enable the Power-On Reset (POR) sequence, including the reload of all register data from NVM. During the POR sequence, the outputs of the device will be in tri-state. After the reset has taken place, the contents of register [1601] will be set to “0” automatically. Figure 87 illustrates the sequence of events for this reset function.

## GreenPAK Programmable Mixed-Signal Matrix with In System Programmability

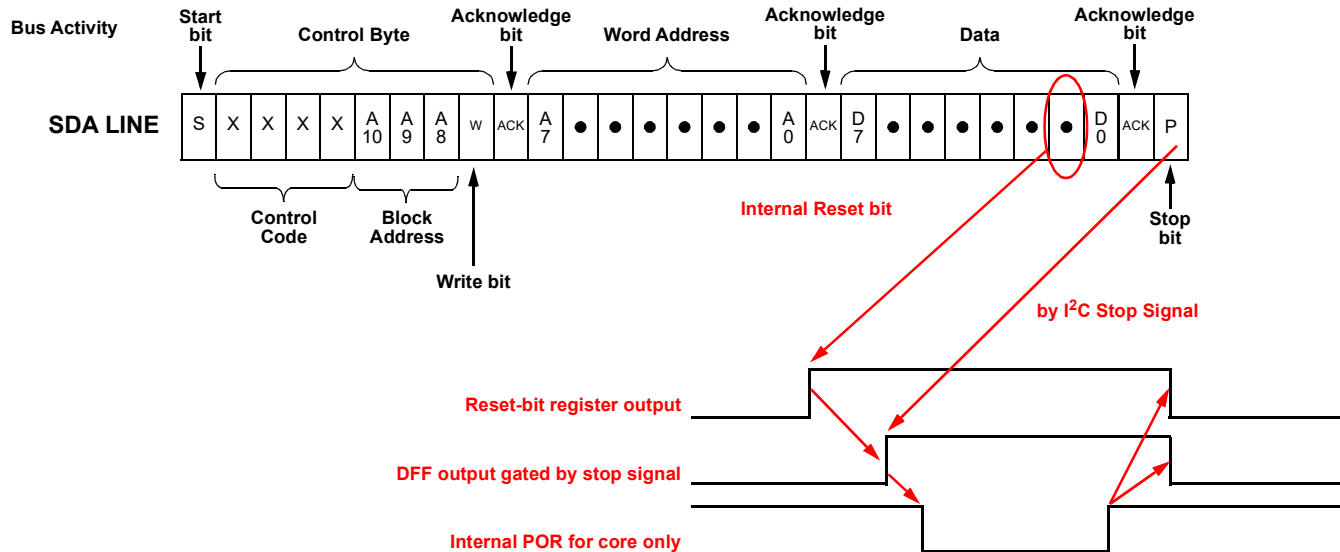


Figure 87: Reset Command Timing

### 15.5 CHIP CONFIGURATION DATA PROTECTION

The SLG46824 utilizes a scheme that allows a portion or the entire Register and NVM to be inhibited from being read or written/erased. There are two bytes that define the register and NVM access or change. The first byte RPR defines the 2k register read and write protection. The second byte NPR defines the 2k NVM data configuration read and write protection. If desired, the protection lock bit (PRL) can be set so that protection may no longer be modified, thereby making the current protection scheme permanent. The status of the RPR and NPR can be determined by following a Random Read sequence. Changing the state of the RPR and NPR is accomplished with a Byte Write sequence with the requirements outlined in this section.

The RPR register is located on H'E0 address, while NPR is located on H'E1 address.

The RPR format is shown in Table 46, and the RPR bit functions are included in Table 47.

Table 46: RPR Format

|     | b7 | b6 | b5 | b4 | b3    | b2    | b1    | b0    |
|-----|----|----|----|----|-------|-------|-------|-------|
| RPR |    |    |    |    | RPRB3 | RPRB2 | RPRB1 | RPRB0 |

Table 47: RPR Bit Function Description

| Bit | Name  |                                  | Type | Description   |
|-----|-------|----------------------------------|------|---|
| 3:2 | RPRB3 | 2k Register Write Selection Bits | R/W* | 00: 2k register data is unprotected for write;<br>01: 2k register data is partly protected for write; Please refer to the Table 50.<br>10: 2k register data is fully protected for write. |
|     | RPRB2 |                                  | R/W* |   |
| 1:0 | RPRB1 | 2k Register Read Selection Bits  | R/W* | 00: 2k register data is unprotected for read;<br>01: 2k register data is partly protected for read; Please refer to the Table 50.<br>10: 2k register data is fully protected for read.    |
|     | RPRB0 |                                  | R/W* |   |

\* Becomes read only after PRL is high. The content is permanently locked for write and erase after PRL is high.

## GreenPAK Programmable Mixed-Signal Matrix with In System Programmability

The NPR format is shown in [Table 48](#), and the NPR bit functions are included in [Table 49](#).

**Table 48: NPR Format**

|     | b7 | b6 | b5 | b4 | b3 | b2 | b1    | b0    |
|-----|----|----|----|----|----|----|-------|-------|
| NPR |    |    |    |    |    |    | NPRB1 | NPRB0 |

**Table 49: NPR Bit Function Description**

| Bit | Name  | Type | Description   |
|-----|-------|------|---|
| 1:0 | NPRB1 | R/W* | 00: 2k NVM Configuration data is unprotected for read and write/erase;<br>01: 2k NVM Configuration data is fully protected for read;<br>10: 2k NVM Configuration data is fully protected for write/erase.<br>11: 2k NVM Configuration data is fully protected for read and write/erase. |
|     | NPRB0 | R/W* |   |

\* Becomes read only after PRL is high. The content is permanently locked for write and erase after PRL is high.

The protection selection bits allow different levels of protection of the register and NVM Memory Array.

The Protect Lock Bit (PRL) is used to permanently lock (for write and erase) the current state of the RPR and NPR. A Logic 0 indicates that the protection byte can be modified, whereas a Logic 1 indicates the byte has been locked and can no longer be modified.

In this case it is impossible to erase the whole page E with protection bytes. The PRL is located at E4 address (register [1824]).

There are nine read/write protect modes for the design sequence from being corrupted or copied. See [Table 50](#) for details.

**Table 50: Read/Write Register Protection Options**

| Configurations  | Protection Modes Configuration |                  |                   |                        |                               |                               |           |            |                 | Test Mode | Register Address |
|---|--------------------------------|------------------|-------------------|------------------------|-------------------------------|-------------------------------|-----------|------------|-----------------|-----------|------------------|
|   | Unlock                         | Partly Lock Read | Partly Lock Write | Partly Lock Read/Write | Partly Lock Read & Lock Write | Lock Read & Partly Lock Write | Lock Read | Lock Write | Lock Read/Write |           |                  |
| RPR[1:0]  | 00                             | 01               | 00                | 01                     | 01                            | 10                            | 10        | 00         | 10              |           |                  |
| RPR[3:2]  | 00                             | 00               | 01                | 01                     | 10                            | 01                            | 00        | 10         | 10              |           |                  |
| I <sup>2</sup> C Byte Write Bit Masking (section 15.6.3)                                  | R/W                            | R/W              | R/W               | R/W                    | R                             | W                             | W         | R          | -               | -         | C9               |
| I <sup>2</sup> C Serial Reset Command (section 15.4.6)                                    | R/W                            | R/W              | R/W               | R/W                    | R                             | W                             | W         | R          | -               | -         | C8b'1            |
| Outputs Latching During I <sup>2</sup> C Write  | R/W                            | R/W              | R/W               | R/W                    | R                             | W                             | W         | R          | -               | -         | C8b'2            |
| Connection Matrix Virtual Inputs (section 6.3)  | R/W                            | R/W              | R/W               | R/W                    | R                             | W                             | W         | R          | -               | -         | 7A               |
| Configuration Bits for All Macrocells (IOs, ACMPs, Combination Function Macrocells, etc.) | R/W                            | W                | R                 | -                      | -                             | -                             | W         | R          | -               | -         |                  |
| Macrocells Inputs Configuration (Connection Matrix Outputs)                               | R/W                            | W                | R                 | -                      | -                             | -                             | W         | R          | -               | -         | 00~47            |
| Protection Mode Selection   | R/W                            | R/W              | R                 | R                      | R                             | R                             | R/W       | R          | R               | R         | E4               |

## GreenPAK Programmable Mixed-Signal Matrix with In System Programmability

**Table 50: Read/Write Register Protection Options(Continued)**

| Configurations   | Protection Modes Configuration |                  |                   |                        |                               |                               |           |            |                 | Test Mode | Register Address |
|--|--------------------------------|------------------|-------------------|------------------------|-------------------------------|-------------------------------|-----------|------------|-----------------|-----------|------------------|
|  | Unlock                         | Partly Lock Read | Partly Lock Write | Partly Lock Read/Write | Partly Lock Read & Lock Write | Lock Read & Partly Lock Write | Lock Read | Lock Write | Lock Read/Write |           |                  |
| RPR[1:0]   | 00                             | 01               | 00                | 01                     | 01                            | 10                            | 10        | 00         | 10              |           |                  |
| RPR[3:2]   | 00                             | 00               | 01                | 01                     | 10                            | 01                            | 00        | 10         | 10              |           |                  |
| Macrocells Output Values (Connection Matrix Inputs, section) | R                              | R                | R                 | R                      | R                             | -                             | -         | R          | -               | R         | 74~79;7B         |
| Counter Current Value  | R                              | R                | R                 | R                      | R                             | -                             | -         | R          | -               | R         | 7C~7F            |
| Silicon Identification Service Bits                          | R                              | R                | R                 | R                      | R                             | R                             | R         | R          | R               | R         | F9b'3~F9b'2      |
| I <sup>2</sup> C Control Code                                | R/W                            | R/W              | R                 | R                      | R                             | R                             | R/W       | R          | R               | R         | CAb'3~CAb'0      |
| Page Erase byte  | W**                            | W**              | W**               | W**                    | W**                           | W**                           | W**       | W**        | W**             | W**       | E3               |

|     |  |
|-----|--|
| R/W | Allow Read and Write Data                                    |
| W   | Allow Write Data Only  |
| W** | Pages that can be erased are defined by NVM write protection |
| R   | Allow Read Data Only   |
| -   | The Data is protected for Read and Write                     |

**Note 1** R/W becomes read only if protection mode selection (lock bit) is set to 1.

**Note 2** R/W Readable/writable depend on the "Trim mode enable" bit. If "Trim mode enable" bit value = 1, then trim bits are enable.

It is possible to read some data from macrocells, such as counter current value, connection matrix, and connection matrix virtual inputs. The I<sup>2</sup>C write will not have any impact on data in case data comes from macrocell output, except Connection Matrix Virtual Inputs. The silicon identification service bits allows identifying silicon family, its revision, and others.

See Section 17 for detailed information on all registers.

### 15.6 I<sup>2</sup>C ADDITIONAL OPTIONS

When Output latching during I<sup>2</sup>C write to the register configuration data (block address A10A9A8 = 000), register [1602] = 1 allows all PINs output value to be latched while register content is changing. It will protect the output change due to configuration process during I<sup>2</sup>C write in case multiple register bytes are changed. Inputs and internal macrocells retain their status during I<sup>2</sup>C write.

See Section 17 for detailed information on all registers.

#### 15.6.1 Reading Counter Data via I<sup>2</sup>C

The current count value in three counters in the device can be read via I<sup>2</sup>C. The counters that have this additional functionality are 16-bit CNT0, and 8-bit counters CNT2 and CNT4.

#### 15.6.2 I<sup>2</sup>C Expander

In addition to the eight Connection Matrix Virtual Inputs, the SLG46824 chip has four pins which can be used as an I<sup>2</sup>C Expander. These four pins are IO0, IO5, IO6, and IO9.

## GreenPAK Programmable Mixed-Signal Matrix with In System Programmability

Each of these pins can be used as an I<sup>2</sup>C Expander output or used as a normal pin. Also each of these four expander outputs have initial state settings which are specified in registers [1599:1592].

### 15.6.3 I<sup>2</sup>C Byte Write Bit Masking

The I<sup>2</sup>C macrocell inside SLG46824 supports masking of individual bits within a byte that is written to the RAM memory space. This function is supported across the entire RAM memory space. To implement this function, the user performs a Byte Write Command (see Section 15.4.1 for details) on the I<sup>2</sup>C Byte Write Mask Register (address 0C9H) with the desired bit mask pattern. This sets a bit mask pattern for the target memory location that will take effect on the next Byte Write Command to this register byte. Any bit in the mask that is set to “1” in the I<sup>2</sup>C Byte Write Mask Register will mask the effect of changing that particular bit in the target register, during the next Byte Write Command. The contents of the I<sup>2</sup>C Byte Write Mask Register are reset (set to 00h) after valid Byte Write Command. If the next command received by the device is not a Byte Write Command, the effect of the bit masking function will be aborted, and the I<sup>2</sup>C Byte Write Mask Register will be reset with no effect. Figure 88 shows an example of this function.

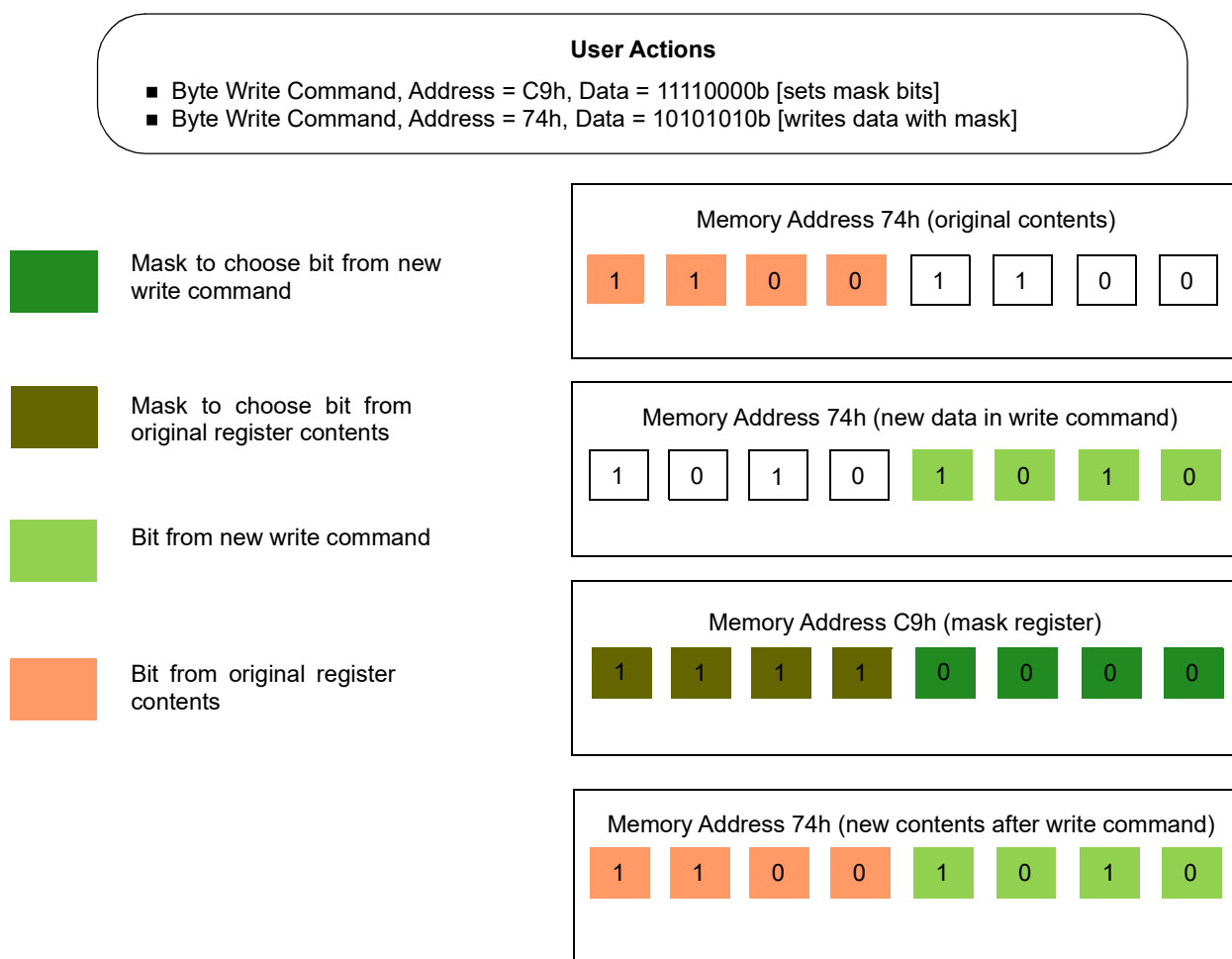


Figure 88: Example of I<sup>2</sup>C Byte Write Bit Masking



## GreenPAK Programmable Mixed-Signal Matrix with In System Programmability

### 16 Non-Volatile Memory

The SLG46824 provides 2,048 bits of Serial Electrically Erasable Memory internally organized as 16 pages of 16 bytes. The protection settings of the device can be made permanent if desired.

#### 16.1 SERIAL NVM WRITE OPERATIONS

Write access to the NVM is possible by setting A3, A2, A1, A0 to “0000”, which allows serial write data for a single page only. Upon receipt of the proper Control Byte and Word Address bytes, the SLG46824 will send an ACK. The device will then be ready to receive page data, which is 16 sequential writes of 8-bit data words. The SLG46824 will respond with an ACK after each data word is received. The addressing device, such as a bus Master, must then terminate the write operation with a Stop condition after all page data is written. At that time the device will enter an internally self-timed write cycle, which will be completed within  $t_{WR}$ . While the data is being written into the NVM Memory Array, all inputs, outputs, internal logic, and I<sup>2</sup>C access to the Register data will be operational/valid. Please refer to [Figure 89](#) for the SLG46824 Memory Map.

**Note:** The 16 programmed bytes should be in the same page. Any I<sup>2</sup>C command that does not meet specific requirements will be ignored and NVM will remain unprogrammed.

Data “1” cannot be re-programmed as data “0” without erasure. Each byte can only be programmed one time without erasure.

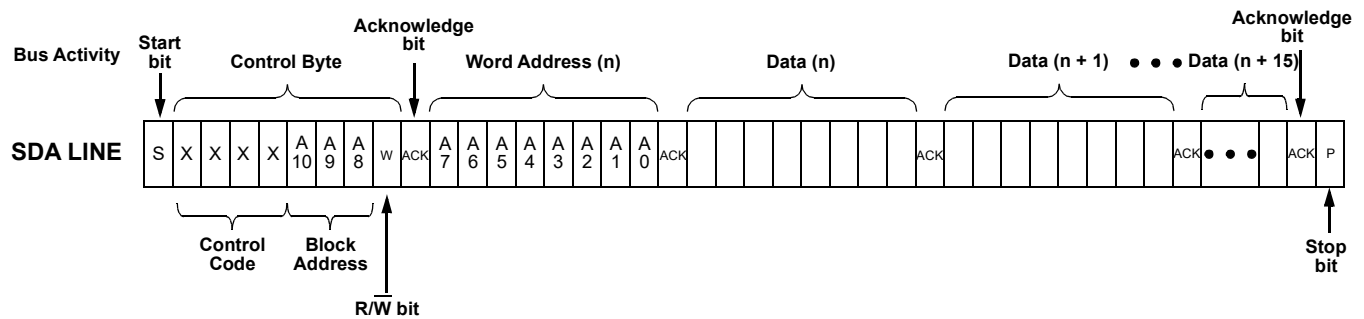


Figure 89: Page Write Command

A10 will be ignored during communication to SLG46824.

A9 = 1 will enable access to the NVM.

A9 = 1 and A8 = 0 corresponds to the 2K bits chip configuration NVM data.

A9 = 1 and A8 = 1A3, A2, A1, and A0 should be 0000 for the page write operation.

In a single page, if the data written to any byte is 00H, the contents of the matching byte in NVM memory will not be altered.

**GreenPAK Programmable Mixed-Signal Matrix with In System Programmability**

|   |  | <b>I<sup>2</sup>C Block Address</b> |        |        | <b>Memory Space</b>                        |
|---|--|-------------------------------------|--------|--------|--|
|   |  | A10 = 0                             | A9 = 0 | A8 = X | <b>2 Kbits Register Data Configuration</b> |
| Lowest I <sup>2</sup> C Address = 000h  |  | A10 = 0                             | A9 = 1 | A8 = 0 | <b>2 Kbits NVM Data Configuration</b>      |
|   |  | A10 = 0                             | A9 = 1 | A8 = 1 | <b>2 Kbits EEPROM</b>                      |
| Highest I <sup>2</sup> C Address = 7FFh |  | A10 = 1                             | A9 = X | A8 = X | <b>Not Used</b>                            |

**Figure 90: I<sup>2</sup>C Block Addressing**

## GreenPAK Programmable Mixed-Signal Matrix with In System Programmability

### 16.2 SERIAL NVM READ OPERATIONS

There are three read operations:

- Current Address Read
- Random Address Read
- Sequential Read

Please refer to the Section 15 for more details.

### 16.3 SERIAL NVM ERASE OPERATIONS

The erase scheme allows a portion or the 2K bits NVM chip configuration to be erased by modifying the contents of the Erase Register (ERSR). Changing the state of the ERSR is accomplished with a Byte Write sequence with the requirements outlined in this section.

The ERSR register is located on I<sup>2</sup>C Block Address = 000b, I<sup>2</sup>C Word Address = E3H.

The ERSR format is shown in Table 51, and the ERSR bit functions are included in Table 52.

**Table 51: Erase Register Bit format**

|                     | b7   | b6 | b5 | b4     | b3     | b2     | b1     | b0     |
|---------------------|------|----|----|--------|--------|--------|--------|--------|
| Page Erase Register | ERSE | -- | -- | ERSEB4 | ERSEB3 | ERSEB2 | ERSEB1 | ERSEB0 |

**Table 52: Erase Register Bit Function Description**

| Bit | Name   |                          | Type | Description  |
|-----|--------|--------------------------|------|--|
| 7   | ERSE   | Erase Enable             | W    | Setting b7 bit to "1" will start an internal erase cycle on the page defined by ERSEB4-0   |
| 6   | --     | --                       | --   | --   |
| 5   | --     | --                       | --   | --   |
| 4   | ERSEB4 | Page Selection for Erase | W    | Define the page address, which will be erased.<br>ERSB4 = 0 corresponds to the Upper 2K NVM used for chip configuration;<br>ERSB4 = 1 reserved |
| 3   | ERSEB3 |                          | W    |  |
| 2   | ERSEB2 |                          | W    |  |
| 1   | ERSEB1 |                          | W    |  |
| 0   | ERSEB0 |                          | W    |  |

Upon receipt of the proper Device Address and Erase Register Address, the SLG46824 will send an ACK. The device will then be ready to receive Erase Register data. The SLG46824 will respond with an ACK after Erase Register data word is received. The addressing device, such as a bus Master, must then terminate the write operation with a Stop condition. At that time the device will enter an internally self-timed erase cycle, which will be completed within  $t_{ER}$  ms. While the data is being written into the Memory Array, all inputs, outputs, internal logic, and I<sup>2</sup>C access to the Register data will be operational/valid.

After the erase has taken place, the contents of ERSE bits will be set to "0" automatically. The internal erase cycle will be triggered at the time the Stop Bit in the I<sup>2</sup>C command is received.

## GreenPAK Programmable Mixed-Signal Matrix with In System Programmability

### 17 Register Definitions

#### 17.1 REGISTER MAP

Table 53: Register Map

| Address              |              | Signal Function | Register Bit Definition              | I <sup>2</sup> C Interface |       |
|----------------------|--------------|-----------------|--------------------------------------|----------------------------|-------|
| Byte                 | Register Bit |                 |                                      | Read                       | Write |
| <b>Matrix Output</b> |              |                 |                                      |                            |       |
| 00                   | 5:0          | Matrix OUT0     | IN0 of LUT2_0 or Clock Input of DFF0 |                            |       |
| 00                   | 11:6         | Matrix OUT1     | IN1 of LUT2_0 or Data Input of DFF0  |                            |       |
| 01                   |              |                 |                                      |                            |       |
| 01                   | 17:12        | Matrix OUT2     | IN0 of LUT2_3 or Clock Input of PGen |                            |       |
| 02                   |              |                 |                                      |                            |       |
| 02                   | 23:18        | Matrix OUT3     | IN1 of LUT2_3 or nRST of PGen        |                            |       |
| 03                   | 29:24        | Matrix OUT4     | IN0 of LUT2_1 or Clock Input of DFF1 |                            |       |
| 03                   | 35:30        | Matrix OUT5     | IN1 of LUT2_1 or Data Input of DFF1  |                            |       |
| 04                   |              |                 |                                      |                            |       |
| 04                   | 41:36        | Matrix OUT6     | IN0 of LUT2_2 or Clock Input of DFF2 |                            |       |
| 05                   |              |                 |                                      |                            |       |
| 05                   | 47:42        | Matrix OUT7     | IN1 of LUT2_2 or Data Input of DFF2  |                            |       |
| 06                   | 53:48        | Matrix OUT8     | IN0 of LUT3_0 or Clock Input of DFF3 |                            |       |
| 06                   | 59:54        | Matrix OUT9     | IN1 of LUT3_0 or Data Input of DFF3  |                            |       |
| 07                   |              |                 |                                      |                            |       |
| 07                   | 65:60        | Matrix OUT10    | IN2 of LUT3_0 or nRST(nSET) of DFF3  |                            |       |
| 08                   | 71:66        | Matrix OUT11    | IN0 of LUT3_1 or Clock Input of DFF4 |                            |       |
| 09                   | 77:72        | Matrix OUT12    | IN1 of LUT3_1 or Data Input of DFF4  |                            |       |
| 09                   | 83:78        | Matrix OUT13    | IN2 of LUT3_1 or nRST(nSET) of DFF4  |                            |       |
| 0A                   |              |                 |                                      |                            |       |
| 0A                   | 89:84        | Matrix OUT14    | IN0 of LUT3_2 or Clock Input of DFF5 |                            |       |
| 0B                   |              |                 |                                      |                            |       |
| 0B                   | 95:90        | Matrix OUT15    | IN1 of LUT3_2 or Data Input of DFF5  |                            |       |
| 0C                   | 101:96       | Matrix OUT16    | IN2 of LUT3_2 or nRST(nSET) of DFF5  |                            |       |
| 0C                   | 107:102      | Matrix OUT17    | IN0 of LUT3_3 or Clock Input of DFF6 |                            |       |
| 0D                   |              |                 |                                      |                            |       |
| 0D                   | 113:108      | Matrix OUT18    | IN1 of LUT3_3 or Data Input of DFF6  |                            |       |
| 0E                   |              |                 |                                      |                            |       |
| 0E                   | 119:114      | Matrix OUT19    | IN2 of LUT3_3 or nRST(nSET) of DFF6  |                            |       |
| 0F                   | 125:120      | Matrix OUT20    | IN0 of LUT3_4 or Clock Input of DFF7 |                            |       |
| 0F                   | 131:126      | Matrix OUT21    | IN1 of LUT3_4 or Data Input of DFF7  |                            |       |
| 10                   |              |                 |                                      |                            |       |
| 10                   | 137:132      | Matrix OUT22    | IN2 of LUT3_4 or nRST(nSET) of DFF7  |                            |       |
| 11                   |              |                 |                                      |                            |       |
| 11                   | 143:138      | Matrix OUT23    | IN0 of LUT3_5 or Clock Input of DFF8 |                            |       |
| 12                   | 149:144      | Matrix OUT24    | IN1 of LUT3_5 or Data Input of DFF8  |                            |       |
| 12                   | 155:150      | Matrix OUT25    | IN2 of LUT3_5 or nRST(nSET) of DFF8  |                            |       |
| 13                   |              |                 |                                      |                            |       |

## GreenPAK Programmable Mixed-Signal Matrix with In System Programmability

**Table 53: Register Map** (Continued)

| Address |              | Signal Function | Register Bit Definition  | I <sup>2</sup> C Interface |       |
|---------|--------------|-----------------|--|----------------------------|-------|
| Byte    | Register Bit |                 |  | Read                       | Write |
| 13      | 161:156      | Matrix OUT26    | IN0 of LUT3_6 or Input of Pipe Delay or UP Signal of RIPP CNT  |                            |       |
| 14      |              |                 |  |                            |       |
| 14      | 167:162      | Matrix OUT27    | IN1 of LUT3_6 or nRST of Pipe Delay or STB of RIPP CNT   |                            |       |
| 15      | 173:168      | Matrix OUT28    | IN2 of LUT3_6 or Clock of Pipe Delay_RIPP_CNT  |                            |       |
| 15      | 179:174      | Matrix OUT29    | Reserved   |                            |       |
| 16      |              |                 |  |                            |       |
| 16      | 185:180      | Matrix OUT30    | MULTFUNC_16BIT_0: IN0 of LUT4_0 or Clock Input of DFF9; Delay0 Input (or Counter0 nRST/SET Input)  |                            |       |
| 17      |              |                 |  |                            |       |
| 17      | 191:186      | Matrix OUT31    | MULTFUNC_16BIT_0: IN1 of LUT4_0 or nRST of DFF9; Delay0 Input (or Counter0 nRST Input) or Delay/Counter0 External Clock Source                       |                            |       |
| 18      | 197:192      | Matrix OUT32    | MULTFUNC_16BIT_0: IN2 of LUT4_0 or nSET of DFF9; Delay0 Input (or Counter0 nRST Input) or Delay/Counter0 External Clock Source or KEEP Input of FSM0 |                            |       |
| 18      | 203:198      | Matrix OUT33    | MULTFUNC_16BIT_0: IN3 of LUT4_0 or Data Input of DFF9; Delay0 Input (or Counter0 nRST Input) or UP Input of FSM0                                     |                            |       |
| 19      |              |                 |  |                            |       |
| 19      | 209:204      | Matrix OUT34    | MULTFUNC_8BIT_1: IN0 of LUT3_7 or Clock Input of DFF10; Delay1 Input (or Counter1 nRST Input)  |                            |       |
| 1A      |              |                 |  |                            |       |
| 1A      | 215:210      | Matrix OUT35    | MULTFUNC_8BIT_1: IN1 of LUT3_7 or nRST (nSET) of DFF10; Delay1 Input (or Counter1 nRST Input) or Delay/Counter1 External Clock Source                |                            |       |
| 1B      | 221:216      | Matrix OUT36    | MULTFUNC_8BIT_1: IN2 of LUT3_7 or Data Input of DFF10; Delay1 Input (or Counter1 nRST Input)   |                            |       |
| 1B      | 227:222      | Matrix OUT37    | MULTFUNC_8BIT_2: IN0 of LUT3_8 or Clock Input of DFF11; Delay2 Input (or Counter2 nRST Input)  |                            |       |
| 1C      |              |                 |  |                            |       |
| 1C      | 233:228      | Matrix OUT38    | MULTFUNC_8BIT_2: IN1 of LUT3_8 or nRST (nSET) of DFF11; Delay2 Input (or Counter2 nRST Input) or Delay/Counter2 External Clock Source                |                            |       |
| 1D      |              |                 |  |                            |       |
| 1D      | 239:234      | Matrix OUT39    | MULTFUNC_8BIT_2: IN2 of LUT3_8 or Data Input of DFF11; Delay2 Input (or Counter2 nRST Input)   |                            |       |
| 1E      | 245:240      | Matrix OUT40    | MULTFUNC_8BIT_3: IN0 of LUT3_9 or Clock Input of DFF12; Delay3 Input (or Counter3 nRST Input)  |                            |       |

## GreenPAK Programmable Mixed-Signal Matrix with In System Programmability

Table 53: Register Map (Continued)

| Address |              | Signal Function | Register Bit Definition   | I <sup>2</sup> C Interface |       |
|---------|--------------|-----------------|---|----------------------------|-------|
| Byte    | Register Bit |                 |   | Read                       | Write |
| 1E      | 251:246      | Matrix OUT41    | MULTFUNC_8BIT_3: IN1 of LUT3_9 or nRST (nSET) of DFF12;<br>Delay3 Input (or Counter3 nRST Input) or Delay/Counter3 External Clock Source  |                            |       |
| 1F      |              |                 |   |                            |       |
| 1F      | 257:252      | Matrix OUT42    | MULTFUNC_8BIT_3: IN2 of LUT3_9 or Data Input of DFF12;<br>Delay3 Input (or Counter3 nRST Input)   |                            |       |
| 1F      | 263:258      | Matrix OUT43    | MULTFUNC_8BIT_4: IN0 of LUT3_10 or Clock Input of DFF13;<br>Delay4 Input (or Counter4 nRST Input)   |                            |       |
| 20      |              |                 |   |                            |       |
| 21      | 269:264      | Matrix OUT44    | MULTFUNC_8BIT_4: IN1 of LUT3_10 or nRST (nSET) of DFF13;<br>Delay4 Input (or Counter4 nRST Input) or Delay/Counter4 External Clock Source |                            |       |
| 21      | 275:270      | Matrix OUT45    | MULTFUNC_8BIT_4: IN2 of LUT3_10 or Data Input of DFF13;<br>Delay4 Input (or Counter4 nRST Input)  |                            |       |
| 22      |              |                 |   |                            |       |
| 22      | 281:276      | Matrix OUT46    | MULTFUNC_8BIT_5: IN0 of LUT3_11 or Clock Input of DFF14;<br>Delay5 Input (or Counter5 nRST Input)   |                            |       |
| 23      |              |                 |   |                            |       |
| 23      | 287:282      | Matrix OUT47    | MULTFUNC_8BIT_5: IN1 of LUT3_11 or nRST (nSET) of DFF14;<br>Delay5 Input (or Counter5 nRST Input) or Delay/Counter5 External Clock Source |                            |       |
| 24      | 293:288      | Matrix OUT48    | MULTFUNC_8BIT_5: IN2 of LUT3_11 or Data Input of DFF14;<br>Delay5 Input (or Counter5 nRST Input)  |                            |       |
| 24      | 299:294      | Matrix OUT49    | MULTFUNC_8BIT_6: IN0 of LUT3_12 or Clock Input of DFF15;<br>Delay6 Input (or Counter6 nRST Input)   |                            |       |
| 25      |              |                 |   |                            |       |
| 25      | 305:300      | Matrix OUT50    | MULTFUNC_8BIT_6: IN1 of LUT3_12 or nRST (nSET) of DFF15;<br>Delay6 Input (or Counter6 nRST Input) or Delay/Counter6 External Clock Source |                            |       |
| 26      |              |                 |   |                            |       |
| 26      | 311:306      | Matrix OUT51    | MULTFUNC_8BIT_6: IN2 of LUT3_12 or Data Input of DFF15;<br>Delay6 Input (or Counter6 nRST Input)  |                            |       |
| 27      | 317:312      | Matrix OUT52    | MULTFUNC_8BIT_7: IN0 of LUT3_13 or Clock Input of DFF16;<br>Delay7 Input (or Counter7 nRST Input)   |                            |       |
| 27      | 323:318      | Matrix OUT53    | MULTFUNC_8BIT_7: IN1 of LUT3_13 or nRST (nSET) of DFF16;<br>Delay7 Input (or Counter7 nRST Input) or Delay/Counter7 External Clock Source |                            |       |
| 28      |              |                 |   |                            |       |
| 28      | 329:324      | Matrix OUT54    | MULTFUNC_8BIT_7: IN2 of LUT3_13 or Data Input of DFF16;<br>Delay7 Input (or Counter7 nRST Input)  |                            |       |
| 29      |              |                 |   |                            |       |
| 29      | 335:330      | Matrix OUT55    | Filter/Edge detect input  |                            |       |
| 2A      | 341:336      | Matrix OUT56    | Programmable delay/edge detect input  |                            |       |
| 2A      | 347:342      | Matrix OUT57    | OSC2 ENABLE from matrix   |                            |       |
| 2B      |              |                 |   |                            |       |

## GreenPAK Programmable Mixed-Signal Matrix with In System Programmability

**Table 53: Register Map** (Continued)

| Address |              | Signal Function | Register Bit Definition      | I <sup>2</sup> C Interface |       |
|---------|--------------|-----------------|------------------------------|----------------------------|-------|
| Byte    | Register Bit |                 |                              | Read                       | Write |
| 2B      | 353:348      | Matrix OUT58    | OSC0 ENABLE from matrix      |                            |       |
| 2C      |              |                 |                              |                            |       |
| 2C      | 359:354      | Matrix OUT59    | OSC1 ENABLE from matrix      |                            |       |
| 2D      | 365:360      | Matrix OUT60    | Vref PD from matrix          |                            |       |
| 2D      | 371:366      | Matrix OUT61    | BG power-down from matrix    |                            |       |
| 2E      |              |                 |                              |                            |       |
| 2E      | 377:372      | Matrix OUT62    | Reserved                     |                            |       |
| 2F      |              |                 |                              |                            |       |
| 2F      | 383:378      | Matrix OUT63    | Reserved                     |                            |       |
| 30      | 389:384      | Matrix OUT64    | PWR UP of ACMP0L from matrix |                            |       |
| 30      | 395:390      | Matrix OUT65    | PWR UP of ACMP1L from matrix |                            |       |
| 31      |              |                 |                              |                            |       |
| 31      | 401:396      | Matrix OUT66    | Reserved                     |                            |       |
| 32      |              |                 |                              |                            |       |
| 32      | 407:402      | Matrix OUT67    | IO0 Digital Output           |                            |       |
| 33      | 413:408      | Matrix OUT68    | IO1 Digital Output           |                            |       |
| 33      | 419:414      | Matrix OUT69    | IO1 Digital Output OE        |                            |       |
| 34      |              |                 |                              |                            |       |
| 34      | 425:420      | Matrix OUT70    | IO2 Digital Output           |                            |       |
| 35      |              |                 |                              |                            |       |
| 35      | 431:426      | Matrix OUT71    | IO3 Digital Output           |                            |       |
| 36      | 437:432      | Matrix OUT72    | IO4 Digital Output           |                            |       |
| 36      | 443:438      | Matrix OUT73    | IO4 Digital Output OE        |                            |       |
| 37      |              |                 |                              |                            |       |
| 37      | 449:444      | Matrix OUT74    | IO5 Digital Output           |                            |       |
| 38      |              |                 |                              |                            |       |
| 38      | 455:450      | Matrix OUT75    | IO5 Digital Output OE        |                            |       |
| 39      | 461:456      | Matrix OUT76    | IO6 Digital Output           |                            |       |
| 39      | 467:462      | Matrix OUT77    | IO7 Digital Output           |                            |       |
| 3A      |              |                 |                              |                            |       |
| 3A      | 473:468      | Matrix OUT78    | IO8 Digital Output           |                            |       |
| 3B      |              |                 |                              |                            |       |
| 3B      | 479:474      | Matrix OUT79    | IO8 Digital Output OE        |                            |       |
| 3C      | 485:480      | Matrix OUT80    | IO9 Digital Output           |                            |       |
| 3C      | 491:486      | Matrix OUT81    | IO9 Digital Output OE        |                            |       |
| 3D      |              |                 |                              |                            |       |
| 3D      | 497:492      | Matrix OUT82    | IO10 Digital Output          |                            |       |
| 3E      |              |                 |                              |                            |       |
| 3E      | 503:498      | Matrix OUT83    | IO10 Digital Output OE       |                            |       |
| 3F      | 509:504      | Matrix OUT84    | IO11 Digital Output          |                            |       |
| 3F      | 515:510      | Matrix OUT85    | IO11 Digital Output OE       |                            |       |
| 40      |              |                 |                              |                            |       |

## GreenPAK Programmable Mixed-Signal Matrix with In System Programmability

**Table 53: Register Map** (Continued)

| Address          |              | Signal Function | Register Bit Definition | I <sup>2</sup> C Interface |       |
|------------------|--------------|-----------------|-------------------------|----------------------------|-------|
| Byte             | Register Bit |                 |                         | Read                       | Write |
| 40               | 521:516      | Matrix OUT86    | IO12 Digital Output     |                            |       |
| 41               |              |                 |                         |                            |       |
| 41               | 527:522      | Matrix OUT87    | IO12 Digital Output OE  |                            |       |
| 42               | 533:528      | Matrix OUT88    | IO13 Digital Output     |                            |       |
| 42               | 539:534      | Matrix OUT89    | IO13 Digital Output OE  |                            |       |
| 43               |              |                 |                         |                            |       |
| 43               | 545:540      | Matrix OUT90    | IO14 Digital Output     |                            |       |
| 44               |              |                 |                         |                            |       |
| 44               | 551:546      | Matrix OUT91    | IO14 Digital Output OE  |                            |       |
| 45               | 557:552      | Matrix OUT92    | Reserved                |                            |       |
| 45               | 563:558      | Matrix OUT93    | Reserved                |                            |       |
| 46               |              |                 |                         |                            |       |
| 46               | 569:564      | Matrix OUT94    | Reserved                |                            |       |
| 47               |              |                 |                         |                            |       |
| 47               | 575:570      | Matrix OUT95    | Reserved                |                            |       |
| 48               | 583:576      | Reserved        |                         |                            |       |
| 49               | 591:584      |                 |                         |                            |       |
| 4A               | 599:592      | Reserved        |                         |                            |       |
| 4B               | 607:600      |                 |                         |                            |       |
| 4C               | 615:608      | Reserved        |                         |                            |       |
| 4D               | 623:616      |                 |                         |                            |       |
| 4E               | 631:624      | Reserved        |                         |                            |       |
| 4F               | 639:632      |                 |                         |                            |       |
| 50               | 647:640      | Reserved        |                         |                            |       |
| 51               | 655:648      |                 |                         |                            |       |
| 52               | 663:656      | Reserved        |                         |                            |       |
| 53               | 671:664      |                 |                         |                            |       |
| 54               | 679:672      | Reserved        |                         |                            |       |
| 55               | 687:680      |                 |                         |                            |       |
| 56               | 695:688      | Reserved        |                         |                            |       |
| 57               | 703:696      |                 |                         |                            |       |
| 58               | 711:704      |                 |                         |                            |       |
| 59               | 719:712      | Reserved        |                         |                            |       |
| 5A               | 727:720      |                 |                         |                            |       |
| 5B               | 735:728      | Reserved        |                         |                            |       |
| 5C               | 743:736      |                 |                         |                            |       |
| 5D               | 751:744      | Reserved        |                         |                            |       |
| 5E               | 759:752      |                 |                         |                            |       |
| 5F               | 767:760      | Reserved        |                         |                            |       |
| <b>IO Common</b> |              |                 |                         |                            |       |



## GreenPAK Programmable Mixed-Signal Matrix with In System Programmability

**Table 53: Register Map** (Continued)

| Address         |              | Signal Function                       | Register Bit Definition  | I <sup>2</sup> C Interface |       |
|-----------------|--------------|---------------------------------------|--|----------------------------|-------|
| Byte            | Register Bit |                                       |  | Read                       | Write |
| 60              | 768          | IO fast Pull-up/down enable           | 0: disable<br>1: enable  |                            |       |
|                 | 769          | I <sup>2</sup> C mode selection       | 0: I <sup>2</sup> C standard/fast mode<br>1: I <sup>2</sup> C fast mode+   |                            |       |
|                 | 775:770      | Reserved                              |  |                            |       |
| <b>IO0</b>      |              |                                       |  |                            |       |
| 61              | 777:776      | IO0 input mode configuration          | 00: digital in without Schmitt Trigger<br>01: digital in with Schmitt Trigger<br>10: low voltage digital in mode<br>11: reserved     |                            |       |
|                 | 779:778      | IO0 output mode configuration         | 00: Push-Pull 1x<br>01: Push-Pull 2x<br>10: 1x Open-Drain<br>11: 2x Open-Drain   |                            |       |
|                 | 781:780      | IO0 Pull-up/down resistance selection | 00: floating<br>01: 10K<br>10: 100K<br>11: 1M  |                            |       |
|                 | 782          | IO0 Pull-up/down selection            | 0: Pull-down<br>1: Pull-up   |                            |       |
|                 | 783          | IO0 output enable                     | 0: disable<br>1: enable  |                            |       |
| <b>IO1</b>      |              |                                       |  |                            |       |
| 62              | 785:784      | IO1 input mode configuration          | 00: digital in without Schmitt Trigger<br>01: digital in with Schmitt Trigger<br>10: low voltage digital in mode<br>11: analog input |                            |       |
|                 | 787:786      | IO1 output mode configuration         | 00: Push-Pull 1x<br>01: Push-Pull 2x<br>10: 1x Open-Drain<br>11: 2x Open-Drain   |                            |       |
|                 | 789:788      | IO1 Pull-up/down resistance selection | 00: floating<br>01: 10K<br>10: 100K<br>11: 1M  |                            |       |
|                 | 790          | IO1 Pull-up/down selection            | 0: Pull-down<br>1: Pull-up   |                            |       |
|                 | 791          | Reserved                              |  |                            |       |
| <b>Reserved</b> |              |                                       |  |                            |       |
| 63              | 793:792      | Reserved                              |  |                            |       |
|                 | 795:794      | Reserved                              |  |                            |       |
|                 | 797:796      | Reserved                              |  |                            |       |
|                 | 798          | Reserved                              |  |                            |       |
|                 | 799          | Reserved                              |  |                            |       |
| <b>IO2</b>      |              |                                       |  |                            |       |

## GreenPAK Programmable Mixed-Signal Matrix with In System Programmability

**Table 53: Register Map** (Continued)

| Address    |              | Signal Function                       | Register Bit Definition  | I <sup>2</sup> C Interface |       |
|------------|--------------|---------------------------------------|--|----------------------------|-------|
| Byte       | Register Bit |                                       |  | Read                       | Write |
| 64         | 801:800      | IO2 input mode configuration          | 00: digital in without Schmitt Trigger<br>01: digital in with Schmitt Trigger<br>10: low voltage digital in mode<br>11: reserved |                            |       |
|            | 803:802      | IO2 output mode configuration         | 00: Push-Pull 1x<br>01: Push-Pull 2x<br>10: 1x Open-Drain<br>11: 2x Open-Drain   |                            |       |
|            | 805:804      | IO2 Pull-up/down resistance selection | 00: floating<br>01: 10K<br>10: 100K<br>11: 1M  |                            |       |
|            | 806          | IO2 Pull-up/down selection            | 0: Pull-down<br>1: Pull-up   |                            |       |
|            | 807          | IO2 output enable                     | 0: disable<br>1: enable  |                            |       |
| <b>IO3</b> |              |                                       |  |                            |       |
| 65         | 809:808      | IO3 input mode configuration          | 00: digital in without Schmitt Trigger<br>01: digital in with Schmitt Trigger<br>10: low voltage digital in mode<br>11: reserved |                            |       |
|            | 811:810      | IO3 output mode configuration         | 00: Push-Pull 1x<br>01: Push-Pull 2x<br>10: 1x Open-Drain<br>11: 2x Open-Drain   |                            |       |
|            | 813:812      | IO3 Pull-up/down resistance selection | 00: floating<br>01: 10K<br>10: 100K<br>11: 1M  |                            |       |
| 65         | 814          | IO3 Pull-up/down selection            | 0: Pull-down<br>1: Pull-up   |                            |       |
|            | 815          | IO3 output enable                     | 0: disable<br>1: enable  |                            |       |
| <b>IO4</b> |              |                                       |  |                            |       |
| 66         | 817:816      | IO4 input mode configuration          | 00: digital in without Schmitt Trigger<br>01: digital in with Schmitt Trigger<br>10: low voltage digital in mode<br>11: reserved |                            |       |
|            | 819:818      | IO4 output mode configuration         | 00: Push-Pull 1x<br>01: Push-Pull 2x<br>10: 1x Open-Drain<br>11: 2x Open-Drain   |                            |       |
|            | 821:820      | IO4 Pull-up/down resistance selection | 00: floating<br>01: 10K<br>10: 100K<br>11: 1M  |                            |       |
|            | 822          | IO4 Pull-up/down selection            | 0: Pull-down<br>1: Pull-up   |                            |       |
|            | 823          | Reserved                              |  |                            |       |
| <b>IO5</b> |              |                                       |  |                            |       |

## GreenPAK Programmable Mixed-Signal Matrix with In System Programmability

**Table 53: Register Map** (Continued)

| Address    |              | Signal Function                       | Register Bit Definition  | I <sup>2</sup> C Interface |       |
|------------|--------------|---------------------------------------|--|----------------------------|-------|
| Byte       | Register Bit |                                       |  | Read                       | Write |
| 67         | 825:824      | IO5 input mode configuration          | 00: digital in without Schmitt Trigger<br>01: digital in with Schmitt Trigger<br>10: low voltage digital in mode<br>11: reserved |                            |       |
|            | 827:826      | IO5 output mode configuration         | 00: Push-Pull 1x<br>01: Push-Pull 2x<br>10: 1x Open-Drain<br>11: 2x Open-Drain   |                            |       |
|            | 829:828      | IO5 Pull-up/down resistance selection | 00: floating<br>01: 10K<br>10: 100K<br>11: 1M  |                            |       |
|            | 830          | IO5 Pull-up/down selection            | 0: Pull-down<br>1: Pull-up   |                            |       |
|            | 831          | Reserved                              |  |                            |       |
| <b>SCL</b> |              |                                       |  |                            |       |
| 68         | 832          | Reserved                              |  |                            |       |
|            | 834:833      | SCL input mode configuration          | 00: digital in without Schmitt Trigger<br>01: Reserved<br>10: low voltage digital in mode<br>11: Reserved                        |                            |       |
|            | 836:835      | SCL Pull-up/down resistance selection | 00: floating<br>01: Reserved<br>10: Reserved<br>11: Reserved   |                            |       |
|            | 837          | Reserved                              |  |                            |       |
|            | 839:838      | Reserved                              |  |                            |       |
| <b>SDA</b> |              |                                       |  |                            |       |
| 69         | 840          | Reserved                              |  |                            |       |
|            | 842:841      | SDA input mode configuration          | 00: digital in without Schmitt Trigger<br>01: Reserved<br>10: low voltage digital in mode<br>11: Reserved                        |                            |       |
|            | 844:843      | SDA Pull-up/down resistance selection | 00: floating<br>01: Reserved<br>10: Reserved<br>11: Reserved   |                            |       |
|            | 845          | Reserved                              |  |                            |       |
|            | 847:846      | Reserved                              |  |                            |       |
| <b>IO6</b> |              |                                       |  |                            |       |

## GreenPAK Programmable Mixed-Signal Matrix with In System Programmability

**Table 53: Register Map** (Continued)

| Address         |              | Signal Function                       | Register Bit Definition  | I <sup>2</sup> C Interface |       |
|-----------------|--------------|---------------------------------------|--|----------------------------|-------|
| Byte            | Register Bit |                                       |  | Read                       | Write |
| 6A              | 849:848      | Reserved                              |  |                            |       |
|                 | 851:850      | IO6 output mode configuration         | 00: Push-Pull 1x<br>01: Push-Pull 2x<br>10: 1x Open-Drain<br>11: 2x Open-Drain   |                            |       |
|                 | 853:852      | IO6 Pull-up/down resistance selection | 00: floating<br>01: 10K<br>10: 100K<br>11: 1M  |                            |       |
|                 | 854          | IO6 Pull-up/down selection            | 0: Pull-down<br>1: Pull-up   |                            |       |
|                 | 855          | IO6 output enable                     | 0: disable<br>1: enable  |                            |       |
| <b>IO7</b>      |              |                                       |  |                            |       |
| 6B              | 857:856      | Reserved                              |  |                            |       |
|                 | 859:858      | IO7 output mode configuration         | 00: Push-Pull 1x<br>01: Push-Pull 2x<br>10: 1x Open-Drain<br>11: 2x Open-Drain   |                            |       |
|                 | 861:860      | IO7 Pull-up/down resistance selection | 00: floating<br>01: 10K<br>10: 100K<br>11: 1M  |                            |       |
|                 | 862          | IO7 Pull-up/down selection            | 0: Pull-down<br>1: Pull-up   |                            |       |
|                 | 863          | IO7 output enable                     | 0: disable<br>1: enable  |                            |       |
| <b>IO8</b>      |              |                                       |  |                            |       |
| 6C              | 865:864      | IO8 input mode configuration          | 00: digital in without Schmitt Trigger<br>01: digital in with Schmitt Trigger<br>10: low voltage digital in mode<br>11: reserved |                            |       |
|                 | 867:866      | IO8 output mode configuration         | 00: Push-Pull 1x<br>01: Push-Pull 2x<br>10: 1x Open-Drain<br>11: 2x Open-Drain   |                            |       |
|                 | 869:868      | IO8 Pull-up/down resistance selection | 00: floating<br>01: 10K<br>10: 100K<br>11: 1M  |                            |       |
|                 | 870          | IO8 Pull-up/down selection            | 0: Pull-down<br>1: Pull-up   |                            |       |
|                 | 871          | Reserved                              |  |                            |       |
| <b>Reserved</b> |              |                                       |  |                            |       |
| 6D              | 873:872      | Reserved                              |  |                            |       |
|                 | 875:874      | Reserved                              |  |                            |       |
|                 | 877:876      | Reserved                              |  |                            |       |
|                 | 878          | Reserved                              |  |                            |       |
|                 | 879          | Reserved                              |  |                            |       |

## GreenPAK Programmable Mixed-Signal Matrix with In System Programmability

**Table 53: Register Map** (Continued)

| Address     |              | Signal Function                        | Register Bit Definition   | I <sup>2</sup> C Interface |       |
|-------------|--------------|--|---|----------------------------|-------|
| Byte        | Register Bit |  |   | Read                       | Write |
| <b>IO9</b>  |              |  |   |                            |       |
| 6E          | 881:880      | IO9 input mode configuration           | 00: digital in without Schmitt Trigger<br>01: digital in with Schmitt Trigger<br>10: low voltage digital in mode<br>11: analog output |                            |       |
|             | 883:882      | IO9 output mode configuration          | 00: Push-Pull 1x<br>01: Push-Pull 2x<br>10: 1x Open-Drain<br>11: 2x Open-Drain  |                            |       |
|             | 885:884      | IO9 Pull-up/down resistance selection  | 00: floating<br>01: 10K<br>10: 100K<br>11: 1M   |                            |       |
|             | 886          | IO9 Pull-up/down selection             | 0: Pull-down<br>1: Pull-up  |                            |       |
|             | 887          | Reserved                               |   |                            |       |
| <b>IO10</b> |              |  |   |                            |       |
| 6F          | 889:888      | IO10 input mode configuration          | 00: digital in without Schmitt Trigger<br>01: digital in with Schmitt Trigger<br>10: low voltage digital in mode<br>11: analog output |                            |       |
|             | 891:890      | IO10 output mode configuration         | 00: Push-Pull 1x<br>01: Push-Pull 2x<br>10: 1x Open-Drain<br>11: 2x Open-Drain  |                            |       |
|             | 893:892      | IO10 Pull-up/down resistance selection | 00: floating<br>01: 10K<br>10: 100K<br>11: 1M   |                            |       |
|             | 894          | IO10 Pull-up/down selection            | 0: Pull-down<br>1: Pull-up  |                            |       |
|             | 895          | Reserved                               |   |                            |       |
| <b>IO11</b> |              |  |   |                            |       |
| 70          | 897:896      | IO11 input mode configuration          | 00: digital in without Schmitt Trigger<br>01: digital in with Schmitt Trigger<br>10: low voltage digital in mode<br>11: analog input  |                            |       |
|             | 899:898      | IO11 output mode configuration         | 00: Push-Pull 1x<br>01: Push-Pull 2x<br>10: 1x Open-Drain<br>11: 2x Open-Drain  |                            |       |
|             | 901:900      | IO11 Pull-up/down resistance selection | 00: floating<br>01: 10K<br>10: 100K<br>11: 1M   |                            |       |
|             | 902          | IO11 Pull-up/down selection            | 0: Pull-down<br>1: Pull-up  |                            |       |
|             | 903          | Reserved                               |   |                            |       |
| <b>IO12</b> |              |  |   |                            |       |

## GreenPAK Programmable Mixed-Signal Matrix with In System Programmability

**Table 53: Register Map** (Continued)

| Address             |              | Signal Function                        | Register Bit Definition  | I <sup>2</sup> C Interface |       |
|---------------------|--------------|--|--|----------------------------|-------|
| Byte                | Register Bit |  |  | Read                       | Write |
| 71                  | 905:904      | IO12 input mode configuration          | 00: digital in without Schmitt Trigger<br>01: digital in with Schmitt Trigger<br>10: low voltage digital in mode<br>11: analog input |                            |       |
|                     | 907:906      | IO12 output mode configuration         | 00: Push-Pull 1x<br>01: Push-Pull 2x<br>10: 1x Open-Drain<br>11: 2x Open-Drain   |                            |       |
|                     | 909:908      | IO12 Pull-up/down resistance selection | 00: floating<br>01: 10K<br>10: 100K<br>11: 1M  |                            |       |
|                     | 910          | IO12 Pull-up/down selection            | 0: Pull-down<br>1: Pull-up   |                            |       |
|                     | 911          | Reserved                               |  |                            |       |
| <b>IO13</b>         |              |  |  |                            |       |
| 72                  | 913:912      | IO13 input mode configuration          | 00: digital in without Schmitt Trigger<br>01: digital in with Schmitt Trigger<br>10: low voltage digital in mode<br>11: analog IO    |                            |       |
|                     | 915:914      | IO13 output mode configuration         | 00: Push-Pull 1x<br>01: Push-Pull 2x<br>10: 1x Open-Drain<br>11: 2x Open-Drain   |                            |       |
|                     | 917:916      | IO13 Pull-up/down resistance selection | 00: floating<br>01: 10K<br>10: 100K<br>11: 1M  |                            |       |
|                     | 918          | IO13 Pull-up/down selection            | 0: Pull-down<br>1: Pull-up   |                            |       |
|                     | 919          | Reserved                               |  |                            |       |
| <b>IO14</b>         |              |  |  |                            |       |
| 73                  | 921:920      | IO14 input mode configuration          | 00: digital in without Schmitt Trigger<br>01: digital in with Schmitt Trigger<br>10: low voltage digital in mode<br>11: analog input |                            |       |
|                     | 923:922      | IO14 output mode configuration         | 00: Push-Pull 1x<br>01: Push-Pull 2x<br>10: 1x Open-Drain<br>11: 2x Open-Drain   |                            |       |
|                     | 925:924      | IO14 Pull-up/down resistance selection | 00: floating<br>01: 10K<br>10: 100K<br>11: 1M  |                            |       |
|                     | 926          | IO14 Pull-up/down selection            | 0: Pull-down<br>1: Pull-up   |                            |       |
|                     | 927          | Reserved                               |  |                            |       |
| <b>Matrix Input</b> |              |  |  |                            |       |

## GreenPAK Programmable Mixed-Signal Matrix with In System Programmability

**Table 53: Register Map** (Continued)

| Address |              | Signal Function | Register Bit Definition          | I <sup>2</sup> C Interface |       |
|---------|--------------|-----------------|----------------------------------|----------------------------|-------|
| Byte    | Register Bit |                 |                                  | Read                       | Write |
| 74      | 928          | Matrix Input 0  | Tie low                          |                            |       |
|         | 929          | Matrix Input 1  | IO0 Digital Input                |                            |       |
|         | 930          | Matrix Input 2  | IO1 Digital Input                |                            |       |
|         | 931          | Matrix Input 3  | IO2 Digital Input                |                            |       |
|         | 932          | Matrix Input 4  | IO3 Digital Input                |                            |       |
|         | 933          | Matrix Input 5  | IO4 Digital Input                |                            |       |
|         | 934          | Matrix Input 6  | IO5 Digital Input                |                            |       |
|         | 935          | Matrix Input 7  | IO8 Digital Input                |                            |       |
| 75      | 936          | Matrix Input 8  | IO9 Digital Input                |                            |       |
|         | 937          | Matrix Input 9  | IO10 Digital Input               |                            |       |
|         | 938          | Matrix Input 10 | IO11 Digital Input               |                            |       |
|         | 939          | Matrix Input 11 | IO12 Digital Input               |                            |       |
|         | 940          | Matrix Input 12 | IO13 Digital Input               |                            |       |
|         | 941          | Matrix Input 13 | IO14 Digital Input               |                            |       |
|         | 942          | Matrix Input 14 | LUT2_0_DFF0_OUT                  |                            |       |
| 76      | 943          | Matrix Input 15 | LUT2_1_DFF1_OUT                  |                            |       |
|         | 944          | Matrix Input 16 | LUT2_2_DFF2_OUT                  |                            |       |
|         | 945          | Matrix Input 17 | LUT2_3_PGEN_OUT                  |                            |       |
|         | 946          | Matrix Input 18 | LUT3_0_DFF3_OUT                  |                            |       |
|         | 947          | Matrix Input 19 | LUT3_1_DFF4_OUT                  |                            |       |
|         | 948          | Matrix Input 20 | LUT3_2_DFF5_OUT                  |                            |       |
|         | 949          | Matrix Input 21 | LUT3_3_DFF6_OUT                  |                            |       |
|         | 950          | Matrix Input 22 | LUT3_4_DFF7_OUT                  |                            |       |
|         | 951          | Matrix Input 23 | LUT3_5_DFF8_OUT                  |                            |       |
| 77      | 952          | Matrix Input 24 | LUT3_6_PIPEDLY_RIPP_CNT_OUT0     |                            |       |
|         | 953          | Matrix Input 25 | PIPEDLY_RIPP_CNT_OUT1            |                            |       |
|         | 954          | Matrix Input 26 | RIPP_CNT_OUT2                    |                            |       |
|         | 955          | Matrix Input 27 | EDET_FILTER_OUT                  |                            |       |
|         | 956          | Matrix Input 28 | PROG_DLY_EDET_OUT                |                            |       |
|         | 957          | Matrix Input 29 | MULTFUNC_8BIT_1: DLY_CNT_OUT     |                            |       |
|         | 958          | Matrix Input 30 | CKOSC1_MATRIX: OSC1 matrix input |                            |       |
|         | 959          | Matrix Input 31 | CKOSC0_MATRIX: OSC0 matrix input |                            |       |
| 78      | 960          | Matrix Input 32 | CKOSC2_MATRIX: OSC2 matrix input |                            |       |
|         | 961          | Matrix Input 33 | MULTFUNC_8BIT_2: DLY_CNT_OUT     |                            |       |
|         | 962          | Matrix Input 34 | MULTFUNC_8BIT_3: DLY_CNT_OUT     |                            |       |
|         | 963          | Matrix Input 35 | MULTFUNC_8BIT_4: DLY_CNT_OUT     |                            |       |
|         | 964          | Matrix Input 36 | MULTFUNC_8BIT_5: DLY_CNT_OUT     |                            |       |
|         | 965          | Matrix Input 37 | MULTFUNC_8BIT_6: DLY_CNT_OUT     |                            |       |
|         | 966          | Matrix Input 38 | MULTFUNC_8BIT_7: DLY_CNT_OUT     |                            |       |
|         | 967          | Matrix Input 39 | MULTFUNC_16BIT_0: LUT_DFF_OUT    |                            |       |

## GreenPAK Programmable Mixed-Signal Matrix with In System Programmability

**Table 53: Register Map** (Continued)

| Address |              | Signal Function            | Register Bit Definition           | I <sup>2</sup> C Interface |       |
|---------|--------------|----------------------------|-----------------------------------|----------------------------|-------|
| Byte    | Register Bit |                            |                                   | Read                       | Write |
| 79      | 968          | Matrix Input 40            | MULTFUNC_8BIT_1: LUT_DFF_OUT      |                            |       |
|         | 969          | Matrix Input 41            | MULTFUNC_8BIT_2: LUT_DFF_OUT      |                            |       |
|         | 970          | Matrix Input 42            | MULTFUNC_8BIT_3: LUT_DFF_OUT      |                            |       |
|         | 971          | Matrix Input 43            | MULTFUNC_8BIT_4: LUT_DFF_OUT      |                            |       |
|         | 972          | Matrix Input 44            | MULTFUNC_8BIT_5: LUT_DFF_OUT      |                            |       |
|         | 973          | Matrix Input 45            | MULTFUNC_8BIT_6: LUT_DFF_OUT      |                            |       |
|         | 974          | Matrix Input 46            | MULTFUNC_8BIT_7: LUT_DFF_OUT      |                            |       |
|         | 975          | Matrix Input 47            | MULTFUNC_16BIT_0: DLY_CNT_OUT     |                            |       |
| 7A      | 976          | Matrix Input 48            | Virtual Input [7]: register [976] |                            |       |
|         | 977          | Matrix Input 49            | Virtual Input [6]: register [977] |                            |       |
|         | 978          | Matrix Input 50            | Virtual Input [5]: register [978] |                            |       |
|         | 979          | Matrix Input 51            | Virtual Input [4]: register [979] |                            |       |
|         | 980          | Matrix Input 52            | Virtual Input [3]: register [980] |                            |       |
|         | 981          | Matrix Input 53            | Virtual Input [2]: register [981] |                            |       |
|         | 982          | Matrix Input 54            | Virtual Input [1]: register [982] |                            |       |
|         | 983          | Matrix Input 55            | Virtual Input [0]: register [983] |                            |       |
| 7B      | 984          | Matrix Input 56            | Reserved                          |                            |       |
|         | 985          | Matrix Input 57            | Reserved                          |                            |       |
|         | 986          | Matrix Input 58            | ACMP0L OUT                        |                            |       |
|         | 987          | Matrix Input 59            | ACMP1L OUT                        |                            |       |
|         | 988          | Matrix Input 60            | 2nd CKOSC1_MATRIX                 |                            |       |
|         | 989          | Matrix Input 61            | 2nd CKOSC0_MATRIX                 |                            |       |
|         | 990          | Matrix Input 62            | POR CORE                          |                            |       |
|         | 991          | Matrix Input 63            | Tie high                          |                            |       |
| 7C      | 999:992      | CNT0(16-bit) Counted Value | Q[7:0]                            |                            |       |
| 7D      | 1007:1000    | CNT0(16-bit) Counted Value | Q[15:8]                           |                            |       |
| 7E      | 1015:1008    | CNT2(8-bit) Counted Value  | Q[7:0]                            |                            |       |
| 7F      | 1023:1016    | CNT4(8-bit) Counted Value  | Q[7:0]                            |                            |       |

**OSC/ACMP**



## GreenPAK Programmable Mixed-Signal Matrix with In System Programmability

**Table 53: Register Map** (Continued)

| Address |              | Signal Function                | Register Bit Definition   | I <sup>2</sup> C Interface |       |
|---------|--------------|--------------------------------|---|----------------------------|-------|
| Byte    | Register Bit |                                |   | Read                       | Write |
| 80      | 1024         | OSC1 turn on by register       | when matrix output enable/pd control signal = 0:<br>0: auto on by delay cells<br>1: always on |                            |       |
|         | 1025         | matrix power-down or on select | 0: matrix down<br>1: matrix on  |                            |       |
|         | 1026         | external clock source enable   | 0: internal OSC1<br>1: external clock from IO10   |                            |       |
|         | 1028:1027    | post divider ration control    | 00: div1<br>01: div2<br>10: div4<br>11: div8  |                            |       |
|         | 1031:1029    | matrix divider ratio control   | 000: /1<br>001: /2<br>010: /4<br>011: /3<br>100: /8<br>101: /12<br>110: /24<br>111: /64       |                            |       |
| 81      | 1032         | OSC2 turn on by register       | when matrix output enable/pd control signal = 0:<br>0: auto on by delay cells<br>1: always on |                            |       |
|         | 1033         | matrix power-down or on select | 0: matrix down<br>1: matrix on  |                            |       |
|         | 1034         | external clock source enable   | 0: internal OSC2<br>1: external clock from IO8  |                            |       |
|         | 1036:1035    | post divider ration control    | 00: div1<br>01: div2<br>10: div4<br>11: div8  |                            |       |
|         | 1039:1037    | matrix divider ratio control   | 000: /1<br>001: /2<br>010: /4<br>011: /3<br>100: /8<br>101: /12<br>110: /24<br>111: /64       |                            |       |

## GreenPAK Programmable Mixed-Signal Matrix with In System Programmability

**Table 53: Register Map** (Continued)

| Address |              | Signal Function  | Register Bit Definition   | I <sup>2</sup> C Interface |       |
|---------|--------------|--|---|----------------------------|-------|
| Byte    | Register Bit |  |   | Read                       | Write |
| 82      | 1040         | OSC0 turn on by register                               | when matrix output enable/pd control signal = 0:<br>0: auto on by delay cells<br>1: always on |                            |       |
|         | 1041         | matrix power-down or on select                         | 0: matrix down<br>1: matrix on  |                            |       |
|         | 1042         | external clock source enable                           | 0: internal OSC0<br>1: external clock from IO0  |                            |       |
|         | 1044:1043    | post divider ration control                            | 00: div1<br>01: div2<br>10: div4<br>11: div8  |                            |       |
|         | 1047:1045    | matrix divider ratio control                           | 000: /1<br>001: /2<br>010: /4<br>011: /3<br>100: /8<br>101: /12<br>110: /24<br>111: /64       |                            |       |
| 83      | 1048         | Reserved   |   |                            |       |
|         | 1049         | OSC0 matrix out enable                                 | 0: disable<br>1: enable   |                            |       |
|         | 1050         | OSC1 matrix out enable                                 | 0: disable<br>1: enable   |                            |       |
|         | 1051         | OSC2 matrix out enable                                 | 0: disable<br>1: enable   |                            |       |
|         | 1052         | OSC2 100 ns Startup Delay                              | 0: enable<br>1: disable   |                            |       |
|         | 1053         | OSC0 2nd matrix out enable                             | 0: disable<br>1: enable   |                            |       |
|         | 1054         | OSC1 2nd matrix out enable                             | 0: disable<br>1: enable   |                            |       |
|         | 1055         | Reserved   |   |                            |       |
| 84      | 1058:1056    | OSC1 2nd matrix input:<br>matrix divider ratio control | 000: /1<br>001: /2<br>010: /4<br>011: /3<br>100: /8<br>101: /12<br>110: /24<br>111: /64       |                            |       |
|         | 1061:1059    | OSC0 2nd matrix input:<br>matrix divider ratio control | 000: /1<br>001: /2<br>010: /4<br>011: /3<br>100: /8<br>101: /12<br>110: /24<br>111: /64       |                            |       |
|         | 1063:1062    | Reserved   |   |                            |       |

## GreenPAK Programmable Mixed-Signal Matrix with In System Programmability

**Table 53: Register Map** (Continued)

| Address |              | Signal Function  | Register Bit Definition                          | I <sup>2</sup> C Interface |       |
|---------|--------------|--|--|----------------------------|-------|
| Byte    | Register Bit |  |  | Read                       | Write |
| 85      | 1065:1064    | Reserved   |  |                            |       |
|         | 1066         | Reserved   |  |                            |       |
|         | 1067         | Reserved   |  |                            |       |
|         | 1068         | Reserved   |  |                            |       |
|         | 1069         | Reserved   |  |                            |       |
|         | 1070         | Reserved   |  |                            |       |
|         | 1071         | Reserved   |  |                            |       |
| 86      | 1072         | Reserved   |  |                            |       |
|         | 1073         | Reserved   |  |                            |       |
|         | 1075:1074    | Reserved   |  |                            |       |
|         | 1076         | Reserved   |  |                            |       |
|         | 1077         | Reserved   |  |                            |       |
|         | 1078         | Reserved   |  |                            |       |
|         | 1079         | Reserved   |  |                            |       |
| 87      | 1080         | Reserved   |  |                            |       |
|         | 1081         | Reserved   |  |                            |       |
|         | 1083:1082    | ACMP0L hysteresis  | 00: 0 mV<br>01: 32 mV<br>10: 64 mV<br>11: 196 mV |                            |       |
|         | 1084         | Reserved   |  |                            |       |
|         | 1085         | Reserved   |  |                            |       |
|         | 1086         | Reserved   |  |                            |       |
|         | 1087         | Reserved   |  |                            |       |
| 88      | 1089:1088    | ACMP1L hysteresis  | 00: 0 mV<br>01: 32 mV<br>10: 64 mV<br>11: 196 mV |                            |       |
|         | 1090         | Reserved   |  |                            |       |
|         | 1091         | Reserved   |  |                            |       |
|         | 1092         | ACMP1L positive input come from ACMP0L's input mux output enable | 0: disable<br>1: enable                          |                            |       |
|         | 1093         | Reserved   |  |                            |       |
|         | 1094         | Reserved   |  |                            |       |
|         | 1095         | Reserved   |  |                            |       |
| 89      | 1097:1096    | Reserved   |  |                            |       |
|         | 1103:1098    | Reserved   |  |                            |       |
| 8A      | 1105:1104    | Reserved   |  |                            |       |
|         | 1111:1106    | Reserved   |  |                            |       |

## GreenPAK Programmable Mixed-Signal Matrix with In System Programmability

**Table 53: Register Map** (Continued)

| Address                  |              | Signal Function       | Register Bit Definition   | I <sup>2</sup> C Interface |       |
|--------------------------|--------------|-----------------------|---|----------------------------|-------|
| Byte                     | Register Bit |                       |   | Read                       | Write |
| 8B                       | 1113:1112    | ACMP0L Gain divider   | 00: 1x<br>01: 0.5x<br>10: 0.33x<br>11: 0.25x  |                            |       |
|                          | 1119:1114    | ACMP0L Vref           | ACMP Vref select: 000000: 32 mV ~<br>111110: 2.016V/step = 32 mV;<br>111111: External Vref    |                            |       |
| 8C                       | 1121:1120    | ACMP1L Gain divider   | 00: 1x<br>01: 0.5x<br>10: 0.33x<br>11: 0.25x  |                            |       |
|                          | 1127:1122    | ACMP1L Vref           | ACMP Vref select:<br>000000: 32 mV ~<br>111110: 2.016V/step = 32 mV;<br>111111: External Vref |                            |       |
| 8D                       | 1128         | Reserved              | 0: disable<br>1: enable   |                            |       |
|                          | 1130:1129    | Reserved              |   |                            |       |
|                          | 1131         | Vref output OP        | 0: disable<br>1: enable   |                            |       |
|                          | 1133:1132    | Vref0 input selection | 00: None<br>01: ACMP0L Vref<br>10: ACMP1L Vref<br>11: Reserved                                |                            |       |
|                          | 1134         | Reserved              |   |                            |       |
|                          | 1135         | Reserved              |   |                            |       |
| 8E                       | 1136         | Reserved              |   |                            |       |
|                          | 1137         | Reserved              |   |                            |       |
|                          | 1138         | Reserved              |   |                            |       |
|                          | 1139         | Vref OUT PD           | 0: Vref OUT disable<br>1: Vref OUT enable   |                            |       |
|                          | 1140         | Reserved              | 0: enable/disable using Vref OUT PD register [1139]<br>1: Reserved                            |                            |       |
|                          | 1143:1141    | Reserved              |   |                            |       |
| 8F                       | 1145:1144    | Reserved              |   |                            |       |
|                          | 1151:1146    | Reserved              |   |                            |       |
| <b>Digital Macrocell</b> |              |                       |   |                            |       |

## GreenPAK Programmable Mixed-Signal Matrix with In System Programmability

**Table 53: Register Map** (Continued)

| Address |              | Signal Function         | Register Bit Definition  | I <sup>2</sup> C Interface |       |
|---------|--------------|-------------------------|--|----------------------------|-------|
| Byte    | Register Bit |                         |  | Read                       | Write |
| 90      | 1155:1152    | LUT2_0/DFF0 setting     | [3]: LUT2_0[3]/DFF0 or LATCH Select<br>0: DFF function<br>1: LATCH function<br>[2]: LUT2_0[2]/DFF0 Output Sel<br>0: Q output<br>1: QB output<br>[1]: LUT2_0[1]/DFF0 Initial Polarity Select<br>0: Low<br>1: High<br>[0]: LUT2_0[0]   |                            |       |
|         | 1159:1156    | LUT2_1/DFF1 setting     | [3]: LUT2_1[3]/DFF1 or LATCH Select<br>0: DFF function<br>1: LATCH function<br>[2]: LUT2_1[2]/DFF1 Output Select<br>0: Q output<br>1: QB output<br>[1]: LUT2_1[1]/DFF1 Initial Polarity Select<br>0: Low<br>1: High<br>[0]: LUT2_1[0]  |                            |       |
| 91      | 1163:1160    | LUT2_2/DFF2 setting     | [3]: LUT2_2[3]/DFF2 or LATCH Select<br>0: DFF function<br>1: LATCH function<br>[2]: LUT2_2[2]/DFF2 Output Select<br>0: Q output<br>1: QB output<br>[1]: LUT2_2[1]/DFF2 Initial Polarity Select<br>0: Low<br>1: High<br>[0]: LUT2_2[0]  |                            |       |
|         | 1167:1164    | LUT2_3_VAL or PGEN_data | LUT2_3[3:0] or PGen 4bit counter data[3:0]   |                            |       |
| 92      | 1175:1168    | PGen data [7:0]         | PGen data [7:0]  |                            |       |
| 93      | 1183:1176    | PGen data [15:8]        | PGen data [15:8]   |                            |       |
| 94      | 1191:1184    | LUT3_0_DFF3 setting     | [7]: LUT3_0[7]/DFF3 or LATCH Select<br>0: DFF function<br>1: LATCH function<br>[6]: LUT3_0[6]/DFF3 Output Select<br>0: Q output<br>1: QB output<br>[5]: LUT3_0[5]/DFF3<br>0: nRST from Matrix Output<br>1: nSET from Matrix Output<br>[4]: LUT3_0[4]/DFF3 Initial Polarity Select<br>0: Low<br>1: High<br>[3:0]: LUT3_0[3:0] |                            |       |

## GreenPAK Programmable Mixed-Signal Matrix with In System Programmability

**Table 53: Register Map** (Continued)

| Address |              | Signal Function     | Register Bit Definition  | I <sup>2</sup> C Interface |       |
|---------|--------------|---------------------|--|----------------------------|-------|
| Byte    | Register Bit |                     |  | Read                       | Write |
| 95      | 1199:1192    | LUT3_1_DFF4 setting | [7]: LUT3_1[7]/DFF4 or LATCH Select<br>0: DFF function<br>1: LATCH function<br>[6]: LUT3_1[6]/DFF4 Output Select<br>0: Q output<br>1: QB output<br>[5]: LUT3_1[5]/DFF4<br>0: nRST from Matrix Output<br>1: nSET from Matrix Output<br>[4]: LUT3_1[4]/DFF4 Initial Polarity Select<br>0: Low<br>1: High<br>[3:0]: LUT3_1[3:0] |                            |       |
| 96      | 1207:1200    | LUT3_2_DFF5 setting | [7]: LUT3_2[7]/DFF5 or LATCH Select<br>0: DFF function<br>1: LATCH function<br>[6]: LUT3_2[6]/DFF5 Output Select<br>0: Q output<br>1: QB output<br>[5]: LUT3_2[5]/DFF5<br>0: nRST from Matrix Output<br>1: nSET from Matrix Output<br>[4]: LUT3_2[4]/DFF5 Initial Polarity Select<br>0: Low<br>1: High<br>[3:0]: LUT3_2[3:0] |                            |       |
| 97      | 1215:1208    | LUT3_3_DFF6 setting | [7]: LUT3_3[7]/DFF6 or LATCH Select<br>0: DFF function<br>1: LATCH function<br>[6]: LUT3_3[6]/DFF6 Output Select<br>0: Q output<br>1: QB output<br>[5]: LUT3_3[5]/DFF6<br>0: nRST from Matrix Output<br>1: nSET from Matrix Output<br>[4]: LUT3_3[4]/DFF6 Initial Polarity Select<br>0: Low<br>1: High<br>[3:0]: LUT3_3[3:0] |                            |       |
| 98      | 1223:1216    | LUT3_4_DFF7 setting | [7]: LUT3_4[7]/DFF7 or LATCH Select<br>0: DFF function<br>1: LATCH function<br>[6]: LUT3_4[6]/DFF7 Output Select<br>0: Q output<br>1: QB output<br>[5]: LUT3_4[5]/DFF7<br>0: nRST from Matrix Output<br>1: nSET from Matrix Output<br>[4]: LUT3_4[4]/DFF7 Initial Polarity Select<br>0: Low<br>1: High<br>[3:0]: LUT3_4[3:0] |                            |       |

## GreenPAK Programmable Mixed-Signal Matrix with In System Programmability

**Table 53: Register Map** (Continued)

| Address |              | Signal Function                   | Register Bit Definition  | I <sup>2</sup> C Interface |       |
|---------|--------------|-----------------------------------|--|----------------------------|-------|
| Byte    | Register Bit |                                   |  | Read                       | Write |
| 99      | 1231:1224    | LUT3_5_DFF8 setting               | [7]: LUT3_5[7]/DFF8 or LATCH Select<br>0: DFF function<br>1: LATCH function<br>[6]: LUT3_5[6]/DFF8 Output Select<br>0: Q output<br>1: QB output<br>[5]: LUT3_5[5]/DFF8<br>0: RSTB from Matrix Output<br>1: SETB from Matrix Output<br>[4]: LUT3_5[4]/DFF8 Initial Polarity Select<br>0: Low<br>1: High<br>[3:0]: LUT3_5[3:0] |                            |       |
| 9A      | 1232         | LUT2_0 or DFF0 Select             | 0: LUT2_0<br>1: DFF0   |                            |       |
|         | 1233         | LUT2_1 or DFF1 Select             | 0: LUT2_1<br>1: DFF1   |                            |       |
|         | 1234         | LUT2_2 or DFF2 Select             | 0: LUT2_2<br>1: DFF2   |                            |       |
|         | 1235         | LUT2_3 or PGen Select             | 0: LUT2_3<br>1: PGen   |                            |       |
|         | 1236         | LUT3_0 or DFF3 Select             | 0: LUT3_0<br>1: DFF3   |                            |       |
|         | 1237         | DFF3_SECONDQ_Sel                  | 0: Q of first DFF<br>1: Q of second DFF  |                            |       |
|         | 1238         | LUT3_1 or DFF4 Select             | 0: LUT3_1<br>1: DFF4   |                            |       |
|         | 1239         | LUT3_2 or DFF5 Select             | 0: LUT3_2<br>1: DFF5   |                            |       |
| 9B      | 1240         | LUT3_3 or DFF6 Select             | 0: LUT3_3<br>1: DFF6   |                            |       |
|         | 1241         | LUT3_4 or DFF7 Select             | 0: LUT3_4<br>1: DFF7   |                            |       |
|         | 1242         | LUT3_5 or DFF8 Select             | 0: LUT3_5<br>1: DFF8   |                            |       |
|         | 1243         | Filter or Edge Detector selection | 0: filter<br>1: edge det   |                            |       |
|         | 1244         | output Polarity Select            | 0: Filter/edge detect output<br>1: Filter/edge detect output inverted  |                            |       |
|         | 1246:1245    | Select the edge mode              | 00: Rising Edge Det<br>01: Falling Edge Det<br>10: Both Edge Det<br>11: Both Edge DLY  |                            |       |
|         | 1247         | Reserved                          |  |                            |       |

## GreenPAK Programmable Mixed-Signal Matrix with In System Programmability

**Table 53: Register Map** (Continued)

| Address              |  | Signal Function  | Register Bit Definition   | I <sup>2</sup> C Interface |       |
|----------------------|--|--|---|----------------------------|-------|
| Byte                 | Register Bit   |  |   | Read                       | Write |
| 9C                   | 1255:1248  | LUT value or Pipe Delay out SEL or nSET/END value          | [7:4]:LUT3_6[7:4]/REG_S1[3:0]Pipe Delay out1 SEL<br>[3:0]:LUT3_6[3:0]/REG_S0[3:0]Pipe Delay out0 SEL<br>at RIPP CNT mode:<br>bit[1250:1248] is the nSET value<br>bit[1253:1251] is the END value<br>bit[1254] functional mode:0: full cycle;<br>1: ranged cycle<br>bit[1255] not used |                            |       |
| 9D                   | 1256   | Pipe Delay OUT1 Polarity Select                            | 0: Non-inverted<br>1: Inverted  |                            |       |
|                      | 1257   | LUT3_6 or Pipe Delay Select                                | 0: LUT3_6<br>1: Pipe Delay or RIPP CNT  |                            |       |
|                      | 1258   | PIPE_RIPP_CNT_S  | 0: Pipe delay mode selection<br>1: Ripple Counter mode selection  |                            |       |
|                      | 1260:1259  | Select the Edge Mode of Programmable Delay & Edge Detector | 00: Rising Edge Detector<br>01: Falling Edge Detector<br>10: Both Edge Detector<br>11: Both Edge Delay  |                            |       |
|                      | 1262:1261  | Delay Value Select for Programmable Delay & Edge Detector  | 00: 125ns<br>01: 250ns<br>10: 375ns<br>11: 500ns  |                            |       |
|                      | 1263   | Reserved   |   |                            |       |
| 9E                   | 1264   | Reserved   |   |                            |       |
|                      | 1265   | Reserved   |   |                            |       |
|                      | 1266   | Reserved   |   |                            |       |
| 9F                   | 1271:1267  | Reserved   |   |                            |       |
|                      | 1276:1272  | Reserved   |   |                            |       |
|                      | 1277   | Reserved   |   |                            |       |
|                      | 1278   | Reserved   |   |                            |       |
|                      | 1279   | Reserved   |   |                            |       |
| <b>Multifunction</b> |  |  |   |                            |       |
| A0                   | 1286<br>1285<br>1282<br>1284<br>1283<br>1281<br>1280 | Single 4-bit LUT   | 0000000: Matrix A - In3; Matrix B - In2;<br>Matrix C - In1; Matrix D - In0<br>(DLY_IN - LOW)  |                            |       |
|                      |  | Single DFF w RST and SET                                   | 0010000: Matrix A - D; Matrix B - nSET;<br>Matrix C - nRST; Matrix D - CLK<br>(DLY_IN - LOW)  |                            |       |
|                      |  | Single CNT/DLY   | 0000001: Matrix A - UP (CNT); Matrix B -<br>KEEP (CNT); Matrix C - EXT_CLK (CNT);<br>Matrix D - DLY_IN (CNT)<br>(DLY_OUT connected to LUT/DFF)  |                            |       |
|                      |  | CNT/DLY → LUT  | 0000010: Matrix A - DLY_IN; Matrix B -<br>In2; Matrix C - In1; Matrix D - In0<br>(DLY_OUT connected to In3)   |                            |       |



## GreenPAK Programmable Mixed-Signal Matrix with In System Programmability

**Table 53: Register Map** (Continued)

| Address       |   | Signal Function | Register Bit Definition   | I <sup>2</sup> C Interface |       |
|---------------|---|-----------------|---|----------------------------|-------|
| Byte          | Register Bit  |                 |   | Read                       | Write |
| A0            | 1286<br>1285<br>1284<br>1283<br>1281<br>1280  | CNT/DLY → DFF   | 0000110: Matrix A - DLY_IN; Matrix B - nSET; Matrix C - nRST; Matrix D - CLK (DLY_OUT connected to D)                       |                            |       |
|               |   | CNT/DLY → LUT   | 0100010: Matrix A - DLY_IN; Matrix B - EXT_CLK (CNT); Matrix C - In1; Matrix D - In0 (DLY_OUT connected to In3; In2 - LOW)  |                            |       |
|               |   | CNT/DLY → DFF   | 0100110: Matrix A - DLY_IN; Matrix B - EXT_CLK (CNT); Matrix C - nRST; Matrix D - CLK (DLY_OUT connected to D; nSET - HIGH) |                            |       |
|               |   | CNT/DLY → LUT   | 1000010: Matrix A - DLY_IN; Matrix B - In2; Matrix C - EXT_CLK (CNT); Matrix D - In0 (DLY_OUT connected to In3; In1 - LOW)  |                            |       |
|               |   | CNT/DLY → DFF   | 1000110: Matrix A - DLY_IN; Matrix B - nSET; Matrix C - EXT_CLK (CNT); Matrix D - CLK (DLY_OUT connected to D; nRST - HIGH) |                            |       |
|               |   | CNT/DLY → LUT   | 0001010: Matrix A - In3; Matrix B - DLY_IN; Matrix C - In1; Matrix D - In0 (DLY_OUT connected to In2)                       |                            |       |
|               |   | CNT/DLY → DFF   | 0001110: Matrix A - D; Matrix B - DLY_IN; Matrix C - nRST; Matrix D - CLK (DLY_OUT connected to nSET)                       |                            |       |
|               |   | CNT/DLY → LUT   | 1001010: Matrix A - In3; Matrix B - DLY_IN; Matrix C - EXT_CLK (CNT); Matrix D - In0 (DLY_OUT connected to In2; In1 - LOW)  |                            |       |
|               |   | CNT/DLY → DFF   | 1001110: Matrix A - D; Matrix B - DLY_IN; Matrix C - EXT_CLK (CNT); Matrix D - CLK (DLY_OUT connected to nSET; nRST - HIGH) |                            |       |
|               |   | CNT/DLY → LUT   | 0010010: Matrix A - In3; Matrix B - In2; Matrix C - DLY_IN; Matrix D - In0 (DLY_OUT connected to In1)                       |                            |       |
|               |   | CNT/DLY → DFF   | 0010110: Matrix A - D; Matrix B - nSET; Matrix C - DLY_IN; Matrix D - CLK (DLY_OUT connected to nRST)                       |                            |       |
|               |   | CNT/DLY → LUT   | 0110010: Matrix A - In3; Matrix B - EXT_CLK (CNT); Matrix C - DLY_IN; Matrix D - In0 (DLY_OUT connected to In1; In2 - LOW)  |                            |       |
|               |   | CNT/DLY → DFF   | 0110110: Matrix A - D; Matrix B - EXT_CLK (CNT); Matrix C - DLY_IN; Matrix D - CLK (DLY_OUT connected to nRST; nSET - HIGH) |                            |       |
| CNT/DLY → LUT | 0011010: Matrix A - In3; Matrix B - In2; Matrix C - In1; Matrix D - DLY_IN (DLY_OUT connected to In0) |                 |   |                            |       |

## GreenPAK Programmable Mixed-Signal Matrix with In System Programmability

**Table 53: Register Map** (Continued)

| Address |  | Signal Function   | Register Bit Definition   | I <sup>2</sup> C Interface |       |
|---------|--|---|---|----------------------------|-------|
| Byte    | Register Bit   |   |   | Read                       | Write |
| A0      | 1286<br>1285<br>1282<br>1284<br>1283<br>1281<br>1280 | CNT/DLY → DFF   | 0011110: Matrix A - D; Matrix B - nSET; Matrix C - nRST; Matrix D - DLY_IN (DLY_OUT connected to CLK)                       |                            |       |
|         |  | CNT/DLY → LUT   | 0111010: Matrix A - In3; Matrix B - EXT_CLK (CNT); Matrix C - In1; Matrix D - DLY_IN (DLY_OUT connected to In0; In2 - LOW)  |                            |       |
|         |  | CNT/DLY → DFF   | 0111110: Matrix A - D; Matrix B - EXT_CLK (CNT); Matrix C - nRST; Matrix D - DLY_IN (DLY_OUT connected to CLK; nSET - HIGH) |                            |       |
|         |  | CNT/DLY → LUT   | 1011010: Matrix A - In3; Matrix B - In2; Matrix C - EXT_CLK (CNT); Matrix D - DLY_IN (DLY_OUT connected to In0; In1 - LOW)  |                            |       |
|         |  | CNT/DLY → DFF   | 1011110: Matrix A - D; Matrix B - nSET; Matrix C - EXT_CLK (CNT); Matrix D - DLY_IN (DLY_OUT connected to CLK; nRST - HIGH) |                            |       |
|         |  | LUT → CNT/DLY   | 0000011: Matrix A - In3; Matrix B - In2; Matrix C - In1; Matrix D - In0 (LUT_OUT connected to DLY_IN)                       |                            |       |
|         |  | DFF → CNT/DLY   | 0000111: Matrix A - D; Matrix B - nSET; Matrix C - nRST; Matrix D - CLK (DFF_OUT connected to DLY_IN)                       |                            |       |
|         |  | LUT → CNT/DLY   | 0100011: Matrix A - In3; Matrix B - EXT_CLK (CNT); Matrix C - In1; Matrix D - In0 (LUT_OUT connected to DLY_IN; In2 - LOW)  |                            |       |
|         |  | DFF → CNT/DLY   | 0100111: Matrix A - D; Matrix B - EXT_CLK (CNT); Matrix C - nRST; Matrix D - CLK (DFF_OUT connected to DLY_IN; nSET - HIGH) |                            |       |
|         |  | LUT → CNT/DLY   | 1000011: Matrix A - In3; Matrix B - In2; Matrix C - EXT_CLK (CNT); Matrix D - In0 (LUT_OUT connected to DLY_IN; In1 - LOW)  |                            |       |
|         | DFF → CNT/DLY  | 1000111: Matrix A - D; Matrix B - nSET; Matrix C - EXT_CLK (CNT); Matrix D - CLK (DFF_OUT connected to DLY_IN; nRST - HIGH) |   |                            |       |
|         | 1287   | FSM0 SET/RST Selection  | 0: Reset to 0<br>1: Set to data   |                            |       |
| A1      | 1295:1288  | LUT4_0_DFF9 setting [7:0]   | [7:0]: LUT4_0[7:0]  |                            |       |

## GreenPAK Programmable Mixed-Signal Matrix with In System Programmability

**Table 53: Register Map** (Continued)

| Address |                      | Signal Function                  | Register Bit Definition   | I <sup>2</sup> C Interface |       |
|---------|----------------------|----------------------------------|---|----------------------------|-------|
| Byte    | Register Bit         |                                  |   | Read                       | Write |
| A2      | 1303:1296            | LUT4_0_DFF9 setting [15:8]       | [15]: LUT4_0[15]/DFF or LATCH Select<br>0: DFF function; 1: LATCH function<br>[14]: LUT4_0[14]/DFF Output Select<br>0: Q output; 1: QB output<br>[13]: LUT4_0[13]/DFF Initial Polarity Select<br>0: Low; 1: High<br>[12:8]: LUT4_0[12:8]  |                            |       |
| A3      | 1305:1304            | DLY/CNT0 Mode Selection          | 00: DLY<br>01: one shot<br>10: frequency det<br>11: CNT   |                            |       |
|         | 1307:1306            | DLY/CNT0 edge Mode Selection     | 00: both edge<br>01: falling edge<br>10: rising edge<br>11: High Level Reset (only in CNT mode)   |                            |       |
|         | 1311:1308            | DLY/CNT0 Clock Source Select     | Clock source SEL [3:0]<br>0000: 25M(OSC2); 0001: 25M/4; 0010: 2M(OSC1);<br>0011: 2M/8; 0100: 2M/64; 0101: 2M/512;<br>0110: 2K(OSC0);<br>0111: 2K/8; 1000: 2K/64; 1001: 2K/512;<br>1010: 2K/4096;<br>1011: 2K/32768; 1100: 2K/262144; 1101: CNT_END;<br>1110: External; 1111: Not used |                            |       |
| A4      | 1312                 | CNT0 output pol selection        | 0: Default Output<br>1: Inverted Output   |                            |       |
|         | 1314:1313            | CNT0 initial value selection     | 00: bypass the initial<br>01: initial 0<br>10: initial 1<br>11: initial 1   |                            |       |
|         | 1315                 | Reserved                         |   |                            |       |
|         | 1316                 | Reserved                         |   |                            |       |
|         | 1317                 | Keep signal SYNC selection       | 0: bypass<br>1: after two DFF   |                            |       |
|         | 1318                 | UP signal SYNC selection         | 0: bypass<br>1: after two DFF   |                            |       |
|         | 1319                 | CNT0 DLY EDET FUNCTION Selection | 0: normal<br>1: DLY function edge detection   |                            |       |
| A5      | 1327:1320            | REG_CNT0_Data[7:0]               | Data[7:0]   |                            |       |
| A6      | 1335:1328            | REG_CNT0_Data[15:8]              | Data[15:8]  |                            |       |
| A7      | 1336                 | CNT0 CNT mode SYNC selection     | 0: bypass<br>1: after two DFF   |                            |       |
|         | 1339<br>1341<br>1340 | Single 3-bit LUT                 | 00000: Matrix A - In2; Matrix B - In1;<br>Matrix C - In0<br>(DLY_IN - LOW)  |                            |       |
|         | 1338<br>1337         | Single DFF w RST and SET         | 10000: Matrix A - D; Matrix B - nSET/nRST; Matrix C - CLK<br>(DLY_IN - LOW)   |                            |       |
|         |                      |                                  |   |                            |       |
|         |                      |                                  |   |                            |       |

## GreenPAK Programmable Mixed-Signal Matrix with In System Programmability

**Table 53: Register Map** (Continued)

| Address |                                      | Signal Function   | Register Bit Definition   | I <sup>2</sup> C Interface |       |
|---------|--------------------------------------|---|---|----------------------------|-------|
| Byte    | Register Bit                         |   |   | Read                       | Write |
| A7      | 1339<br>1341<br>1340<br>1338<br>1337 | Single CNT/DLY  | 00001: Matrix A - DLY_IN (CNT); Matrix B - EXT_CLK (CNT); Matrix C - NC (DLY_OUT connected to LUT/DFF)  |                            |       |
|         |                                      | CNT/DLY → LUT   | 00010: Matrix A - DLY_IN; Matrix B - In1; Matrix C - In0 (DLY_OUT connected to In2)   |                            |       |
|         |                                      | CNT/DLY → DFF   | 00110: Matrix A - DLY_IN; Matrix B - nSET/nRST; Matrix C - CLK (DLY_OUT connected to D)   |                            |       |
|         |                                      | CNT/DLY → LUT   | 01010: Matrix A - In2; Matrix B - DLY_IN; Matrix C - In0 (DLY_OUT connected to In1)   |                            |       |
|         |                                      | CNT/DLY → DFF   | 01110: Matrix A - D; Matrix B - DLY_IN; Matrix C - CLK (DLY_OUT connected to nSET/nRST)   |                            |       |
|         |                                      | CNT/DLY → LUT   | 10010: Matrix A - In2; Matrix B - In1; Matrix C - DLY_IN (DLY_OUT connected to In0)   |                            |       |
|         |                                      | CNT/DLY → DFF   | 11010: Matrix A - D; Matrix B - nSET/nRST; Matrix C - DLY_IN (DLY_OUT connected to CLK)   |                            |       |
|         |                                      | LUT → CNT/DLY   | 00011: Matrix A - In2; Matrix B - In1; Matrix C - In0 (LUT_OUT connected to DLY_IN)   |                            |       |
|         | DFF → CNT/DLY                        | 00111: Matrix A - D; Matrix B - nSET/nRST; Matrix C - CLK (DFF_OUT connected to DLY_IN) |   |                            |       |
|         | 1343:1342                            | CNT1 initial value selection  | 00: bypass the initial<br>01: initial 0<br>10: initial 1<br>11: initial 1   |                            |       |
| A8      | 1351:1344                            | LUT3_7_DFF10 setting  | [7]: LUT3_7[7]/DFF or LATCH Select<br>0: DFF function; 1: LATCH function<br>[6]: LUT3_7[6]/DFF Output Select<br>0: Q output; 1: QB output<br>[5]: LUT3_7[5]/DFF<br>0: nRST from Matrix Output;<br>1: nSET from Matrix Output<br>[4]: LUT3_7[4]/DFF Initial Polarity Select<br>0: Low; 1: High<br>[3:0]: LUT3_7[3:0] |                            |       |

## GreenPAK Programmable Mixed-Signal Matrix with In System Programmability

**Table 53: Register Map** (Continued)

| Address |                          | Signal Function   | Register Bit Definition  | I <sup>2</sup> C Interface |       |
|---------|--------------------------|---|--|----------------------------|-------|
| Byte    | Register Bit             |   |  | Read                       | Write |
| A9      | 1355:1352                | DLY/CNT1 Clock Source Select  | Clock source SEL [3:0]<br>0000: 25M(OSC2); 0001: 25M/4; 0010: 2M(OSC1);<br>0011: 2M/8; 0100: 2M/64; 0101: 2M/512;<br>0110: 2K(OSC0);<br>0111: 2K/8; 1000: 2K/64; 1001: 2K/512;<br>1010: 2K/4096;<br>1011: 2K/32768; 1100: 2K/262144; 1101: CNT_END;<br>1110: External; 1111: Not used  |                            |       |
|         | 1359:1356                | CNT1 function and edge mode selection                                       | 0000: both edge Delay; 0001: falling edge delay; 0010: rising edge delay; 0011: both edge One Shot; 0100: falling edge One Shot; 0101: rising edge One Shot; 0110: both edge freq detect; 0111: falling edge freq detect; 1000: rising edge freq detect; 1001: both edge detect; 1010: falling edge detect; 1011: rising edge detect; 1100: both edge reset CNT; 1101: falling edge reset CNT; 1110: rising edge reset CNT; 1111: high level reset CNT |                            |       |
| AA      | 1367:1360                | REG_CNT1_Data[7:0]  | Data[7:0]  |                            |       |
| AB      | 1368                     | CNT1 output pol selection   | 0: Default Output<br>1: Inverted Output  |                            |       |
|         | 1369                     | Reserved  |  |                            |       |
|         | 1370                     | CNT1 CNT mode SYNC selection  | 0: bypass<br>1: after two DFF  |                            |       |
|         | 1371                     | CNT1 DLY EDET FUNCTION Selection  | 0: normal<br>1: DLY function edge detection  |                            |       |
|         | 1394,<br>1375:1372       | Single 3-bit LUT  | 00000: Matrix A - In2; Matrix B - In1;<br>Matrix C - In0<br>(DLY_IN - LOW)   |                            |       |
|         | Single DFF w RST and SET | 10000: Matrix A - D; Matrix B - nSET/nRST; Matrix C - CLK<br>(DLY_IN - LOW) |  |                            |       |

## GreenPAK Programmable Mixed-Signal Matrix with In System Programmability

**Table 53: Register Map** (Continued)

| Address |                    | Signal Function       | Register Bit Definition  | I <sup>2</sup> C Interface |       |
|---------|--------------------|-----------------------|--|----------------------------|-------|
| Byte    | Register Bit       |                       |  | Read                       | Write |
| AB      | 1394,<br>1375:1372 | Single CNT/DLY        | 00001: Matrix A - DLY_IN (CNT); Matrix B - EXT_CLK (CNT); Matrix C - NC (DLY_OUT connected to LUT/DFF)   |                            |       |
|         |                    | CNT/DLY → LUT         | 00010: Matrix A - DLY_IN; Matrix B - In1; Matrix C - In0 (DLY_OUT connected to In2)  |                            |       |
|         |                    | CNT/DLY → DFF         | 10010: Matrix A - DLY_IN; Matrix B - nSET/nRST; Matrix C - CLK (DLY_OUT connected to D)  |                            |       |
|         |                    | CNT/DLY → LUT         | 00110: Matrix A - In2; Matrix B - DLY_IN; Matrix C - In0 (DLY_OUT connected to In1)  |                            |       |
|         |                    | CNT/DLY → DFF         | 10110: Matrix A - D; Matrix B - DLY_IN; Matrix C - CLK (DLY_OUT connected to nSET/nRST)  |                            |       |
|         |                    | CNT/DLY → LUT         | 01010: Matrix A - In2; Matrix B - In1; Matrix C - DLY_IN (DLY_OUT connected to In0)  |                            |       |
|         |                    | CNT/DLY → DFF         | 11010: Matrix A - D; Matrix B - nSET/nRST; Matrix C - DLY_IN (DLY_OUT connected to CLK)  |                            |       |
|         |                    | LUT → CNT/DLY         | 00011: Matrix A - In2; Matrix B - In1; Matrix C - In0 (LUT_OUT connected to DLY_IN)  |                            |       |
|         |                    | DFF → CNT/DLY         | 10011: Matrix A - D; Matrix B - nSET/nRST; Matrix C - CLK (DFF_OUT connected to DLY_IN)  |                            |       |
| AC      | 1383:1376          | LUT3_8_DFF_11 setting | [7]: LUT3_8[7]/DFF or LATCH Select<br>0: DFF function; 1: LATCH function<br>[6]: LUT3_8[6]/DFF Output Select<br>0: Q output; 1: QB output<br>[5]: LUT3_8[5]/DFF<br>0: nRST from Matrix Output; 1: nSET from Matrix Output<br>[4]: LUT3_8[4]/DFF Initial Polarity Select<br>0: Low; 1: High<br>[3:0]: LUT3_8[3:0] |                            |       |

## GreenPAK Programmable Mixed-Signal Matrix with In System Programmability

**Table 53: Register Map** (Continued)

| Address |                      | Signal Function                       | Register Bit Definition  | I <sup>2</sup> C Interface |       |
|---------|----------------------|---------------------------------------|--|----------------------------|-------|
| Byte    | Register Bit         |                                       |  | Read                       | Write |
| AD      | 1387:1384            | DLY/CNT2 Clock Source Select          | Clock source SEL [3:0]<br>0000: 25M(OSC2); 0001: 25M/4; 0010: 2M(OSC1);<br>0011: 2M/8; 0100: 2M/64; 0101: 2M/512;<br>0110: 2K(OSC0);<br>0111: 2K/8; 1000: 2K/64; 1001: 2K/512;<br>1010: 2K/4096;<br>1011: 2K/32768; 1100: 2K/262144; 1101: CNT_END;<br>1110: External; 1111: Not used  |                            |       |
|         | 1391:1388            | CNT2 function and edge mode selection | 0000: both edge Delay; 0001: falling edge delay; 0010: rising edge delay; 0011: both edge One Shot; 0100: falling edge One Shot; 0101: rising edge One Shot; 0110: both edge freq detect; 0111: falling edge freq detect; 1000: rising edge freq detect; 1001: both edge detect; 1010: falling edge detect; 1011: rising edge detect; 1100: both edge reset CNT; 1101: falling edge reset CNT; 1110: rising edge reset CNT; 1111: high level reset CNT |                            |       |
| AE      | 1393:1392            | CNT2 initial value selection          | 00: bypass the initial<br>01: initial 0<br>10: initial 1<br>11: initial 1  |                            |       |
|         | 1395                 | CNT2 output pol selection             | 0: Default Output<br>1: Inverted Output  |                            |       |
|         | 1396                 | Reserved                              |  |                            |       |
|         | 1397                 | CNT2 CNT mode SYNC selection          | 0: bypass<br>1: after two DFF  |                            |       |
|         | 1398                 | CNT2 DLY EDET FUNCTION Selection      | 0: normal<br>1: DLY function edge detection  |                            |       |
|         | 1399                 | Reserved                              |  |                            |       |
| AF      | 1407:1400            | REG_CNT2_Data[7:0]                    | Data[7:0]  |                            |       |
| B0      | 1408                 | Reserved                              |  |                            |       |
|         | 1411<br>1413<br>1412 | Single 3-bit LUT                      | 00000: Matrix A - In2; Matrix B - In1; Matrix C - In0 (DLY_IN - LOW)   |                            |       |
|         | 1410<br>1409         | Single DFF w RST and SET              | 00100: Matrix A - D; Matrix B - nSET/nRST; Matrix C - CLK (DLY_IN - LOW)   |                            |       |
|         |                      |                                       |  |                            |       |

## GreenPAK Programmable Mixed-Signal Matrix with In System Programmability

**Table 53: Register Map** (Continued)

| Address |                                      | Signal Function   | Register Bit Definition  | I <sup>2</sup> C Interface |       |
|---------|--------------------------------------|---|--|----------------------------|-------|
| Byte    | Register Bit                         |   |  | Read                       | Write |
| B0      | 1411<br>1413<br>1412<br>1410<br>1409 | Single CNT/DLY  | 00001: Matrix A - DLY_IN (CNT); Matrix B - EXT_CLK (CNT); Matrix C - NC (DLY_OUT connected to LUT/DFF)   |                            |       |
|         |                                      | CNT/DLY → LUT   | 00010: Matrix A - DLY_IN; Matrix B - In1; Matrix C - In0 (DLY_OUT connected to In2)  |                            |       |
|         |                                      | CNT/DLY → DFF   | 00110: Matrix A - DLY_IN; Matrix B - nSET/nRST; Matrix C - CLK (DLY_OUT connected to D)  |                            |       |
|         |                                      | CNT/DLY → LUT   | 01010: Matrix A - In2; Matrix B - DLY_IN; Matrix C - In0 (DLY_OUT connected to In1)  |                            |       |
|         |                                      | CNT/DLY → DFF   | 01110: Matrix A - D; Matrix B - DLY_IN; Matrix C - CLK (DLY_OUT connected to nSET/nRST)  |                            |       |
|         |                                      | CNT/DLY → LUT   | 10010: Matrix A - In2; Matrix B - In1; Matrix C - DLY_IN (DLY_OUT connected to In0)  |                            |       |
|         |                                      | CNT/DLY → DFF   | 10110: Matrix A - D; Matrix B - nSET/nRST; Matrix C - DLY_IN (DLY_OUT connected to CLK)  |                            |       |
|         |                                      | LUT → CNT/DLY   | 00011: Matrix A - In2; Matrix B - In1; Matrix C - In0 (LUT_OUT connected to DLY_IN)  |                            |       |
|         | DFF → CNT/DLY                        | 00111: Matrix A - D; Matrix B - nSET/nRST; Matrix C - CLK (DFF_OUT connected to DLY_IN) |  |                            |       |
|         | 1415:1414                            | CNT3 initial value selection  | 00: bypass the initial<br>01: initial 0<br>10: initial 1<br>11: initial 1  |                            |       |
| B1      | 1423:1416                            | LUT3_9_DFF12 setting  | [7]: LUT3_9[7]/DFF or LATCH Select<br>0: DFF function; 1: LATCH function<br>[6]: LUT3_9[6]/DFF Output Select<br>0: Q output; 1: QB output<br>[5]: LUT3_9[5]/DFF<br>0: nRST from Matrix Output; 1: nSET from Matrix Output<br>[4]: LUT3_9[4]/DFF Initial Polarity Select<br>0: Low; 1: High<br>[3:0]: LUT3_9[3:0] |                            |       |



## GreenPAK Programmable Mixed-Signal Matrix with In System Programmability

**Table 53: Register Map** (Continued)

| Address |                          | Signal Function   | Register Bit Definition  | I <sup>2</sup> C Interface |       |
|---------|--------------------------|---|--|----------------------------|-------|
| Byte    | Register Bit             |   |  | Read                       | Write |
| B2      | 1427:1424                | DLY/CNT3 Clock Source Select  | Clock source SEL [3:0]<br>0000: 25M(OSC2); 0001: 25M/4; 0010: 2M(OSC1);<br>0011: 2M/8; 0100: 2M/64; 0101: 2M/512;<br>0110: 2K(OSC0);<br>0111: 2K/8; 1000: 2K/64; 1001: 2K/512;<br>1010: 2K/4096;<br>1011: 2K/32768; 1100: 2K/262144; 1101: CNT_END;<br>1110: External; 1111: Not used  |                            |       |
|         | 1431:1428                | CNT3 function and edge mode selection                                       | 0000: both edge Delay; 0001: falling edge delay; 0010: rising edge delay; 0011: both edge One Shot; 0100: falling edge One Shot; 0101: rising edge One Shot; 0110: both edge freq detect; 0111: falling edge freq detect; 1000: rising edge freq detect; 1001: both edge detect; 1010: falling edge detect; 1011: rising edge detect; 1100: both edge reset CNT; 1101: falling edge reset CNT; 1110: rising edge reset CNT; 1111: high level reset CNT |                            |       |
| B3      | 1439:1432                | REG_CNT3_Data[7:0]  | Data[7:0]  |                            |       |
| B4      | 1440                     | CNT3 output pol selection   | 0: Default Output<br>1: Inverted Output  |                            |       |
|         | 1441                     | Reserved  |  |                            |       |
|         | 1442                     | CNT3 CNT mode SYNC selection  | 0: bypass<br>1: after two DFF  |                            |       |
|         | 1443                     | CNT3 DLY EDET FUNCTION Selection  | 0: normal<br>1: DLY function edge detection  |                            |       |
|         | 1466,<br>1447:1444       | Single 3-bit LUT  | 00000: Matrix A - In2; Matrix B - In1;<br>Matrix C - In0<br>(DLY_IN - LOW)   |                            |       |
|         | Single DFF w RST and SET | 10000: Matrix A - D; Matrix B - nSET/nRST; Matrix C - CLK<br>(DLY_IN - LOW) |  |                            |       |

## GreenPAK Programmable Mixed-Signal Matrix with In System Programmability

**Table 53: Register Map** (Continued)

| Address |                    | Signal Function  | Register Bit Definition  | I <sup>2</sup> C Interface |       |
|---------|--------------------|------------------|--|----------------------------|-------|
| Byte    | Register Bit       |                  |  | Read                       | Write |
| B4      | 1466,<br>1447:1444 | Single CNT/DLY   | 00001: Matrix A - DLY_IN (CNT); Matrix B - EXT_CLK (CNT); Matrix C - NC (DLY_OUT connected to LUT/DFF)   |                            |       |
|         |                    | CNT/DLY → LUT    | 00010: Matrix A - DLY_IN; Matrix B - In1; Matrix C - In0 (DLY_OUT connected to In2)  |                            |       |
|         |                    | CNT/DLY → DFF    | 10010: Matrix A - DLY_IN; Matrix B - nSET/nRST; Matrix C - CLK (DLY_OUT connected to D)  |                            |       |
|         |                    | CNT/DLY → LUT    | 00110: Matrix A - In2; Matrix B - DLY_IN; Matrix C - In0 (DLY_OUT connected to In1)  |                            |       |
|         |                    | CNT/DLY → DFF    | 10110: Matrix A - D; Matrix B - DLY_IN; Matrix C - CLK (DLY_OUT connected to nSET/nRST)  |                            |       |
|         |                    | CNT/DLY → LUT    | 01010: Matrix A - In2; Matrix B - In1; Matrix C - DLY_IN (DLY_OUT connected to In0)  |                            |       |
|         |                    | CNT/DLY → DFF    | 11010: Matrix A - D; Matrix B - nSET/nRST; Matrix C - DLY_IN (DLY_OUT connected to CLK)  |                            |       |
|         |                    | LUT → CNT/DLY    | 00011: Matrix A - In2; Matrix B - In1; Matrix C - In0 (LUT_OUT connected to DLY_IN)  |                            |       |
|         |                    | DFF → CNT/DLY    | 10011: Matrix A - D; Matrix B - nSET/nRST; Matrix C - CLK (DFF_OUT connected to DLY_IN)  |                            |       |
| B5      | 1455:1448          | LUT3_DFF setting | [7]: LUT3[7]/DFF or LATCH Select<br>0: DFF function; 1: LATCH function<br>[6]: LUT3[6]/DFF Output Select<br>0: Q output; 1: QB output<br>[5]: LUT3[5]/DFF<br>0: nRST from Matrix Output; 1: nSET from Matrix Output<br>[4]: LUT3[4]/DFF Initial Polarity Select<br>0: Low; 1: High<br>[3:0]: LUT3[3:0] |                            |       |

## GreenPAK Programmable Mixed-Signal Matrix with In System Programmability

**Table 53: Register Map** (Continued)

| Address |                      | Signal Function                       | Register Bit Definition  | I <sup>2</sup> C Interface |       |
|---------|----------------------|---------------------------------------|--|----------------------------|-------|
| Byte    | Register Bit         |                                       |  | Read                       | Write |
| B6      | 1459:1456            | DLY/CNT4 Clock Source Select          | Clock source SEL [3:0]<br>0000: 25M(OSC2); 0001: 25M/4; 0010: 2M(OSC1);<br>0011: 2M/8; 0100: 2M/64; 0101: 2M/512;<br>0110: 2K(OSC0);<br>0111: 2K/8; 1000: 2K/64; 1001: 2K/512;<br>1010: 2K/4096;<br>1011: 2K/32768; 1100: 2K/262144; 1101: CNT_END;<br>1110: External; 1111: Not used  |                            |       |
|         | 1463:1460            | CNT4 function and edge mode selection | 0000: both edge Delay; 0001: falling edge delay; 0010: rising edge delay; 0011: both edge One Shot; 0100: falling edge One Shot; 0101: rising edge One Shot; 0110: both edge freq detect; 0111: falling edge freq detect; 1000: rising edge freq detect; 1001: both edge detect; 1010: falling edge detect; 1011: rising edge detect; 1100: both edge reset CNT; 1101: falling edge reset CNT; 1110: rising edge reset CNT; 1111: high level reset CNT |                            |       |
| B7      | 1465:1464            | CNT4 initial value selection          | 00: bypass the initial<br>01: initial 0<br>10: initial 1<br>11: initial 1  |                            |       |
|         | 1467                 | CNT4 output pol selection             | 0: Default Output<br>1: Inverted Output  |                            |       |
|         | 1468                 | Reserved                              |  |                            |       |
|         | 1469                 | CNT4 CNT mode SYNC selection          | 0: bypass<br>1: after two DFF  |                            |       |
|         | 1470                 | CNT4 DLY EDET FUNCTION Selection      | 0: normal<br>1: DLY function edge detection  |                            |       |
|         | 1471                 | Reserved                              |  |                            |       |
| B8      | 1479:1472            | REG_CNT4_Data[7:0]                    | Data[7:0]  |                            |       |
| B9      | 1480                 | Reserved                              |  |                            |       |
|         | 1483<br>1485<br>1484 | Single 3-bit LUT                      | 00000: Matrix A - In2; Matrix B - In1;<br>Matrix C - In0<br>(DLY_IN - LOW)   |                            |       |
|         | 1482<br>1481         | Single DFF w RST and SET              | 00100: Matrix A - D; Matrix B - nSET/nRST; Matrix C - CLK<br>(DLY_IN - LOW)  |                            |       |
|         |                      |                                       |  |                            |       |

## GreenPAK Programmable Mixed-Signal Matrix with In System Programmability

**Table 53: Register Map** (Continued)

| Address |                                      | Signal Function   | Register Bit Definition   | I <sup>2</sup> C Interface |       |
|---------|--------------------------------------|---|---|----------------------------|-------|
| Byte    | Register Bit                         |   |   | Read                       | Write |
| B9      | 1483<br>1485<br>1484<br>1482<br>1481 | Single CNT/DLY  | 00001: Matrix A - DLY_IN (CNT); Matrix B - EXT_CLK (CNT); Matrix C - NC (DLY_OUT connected to LUT/DFF)  |                            |       |
|         |                                      | CNT/DLY → LUT   | 00010: Matrix A - DLY_IN; Matrix B - In1; Matrix C - In0 (DLY_OUT connected to In2)   |                            |       |
|         |                                      | CNT/DLY → DFF   | 00110: Matrix A - DLY_IN; Matrix B - nSET/nRST; Matrix C - CLK (DLY_OUT connected to D)   |                            |       |
|         |                                      | CNT/DLY → LUT   | 01010: Matrix A - In2; Matrix B - DLY_IN; Matrix C - In0 (DLY_OUT connected to In1)   |                            |       |
|         |                                      | CNT/DLY → DFF   | 01110: Matrix A - D; Matrix B - DLY_IN; Matrix C - CLK (DLY_OUT connected to nSET/nRST)   |                            |       |
|         |                                      | CNT/DLY → LUT   | 10010: Matrix A - In2; Matrix B - In1; Matrix C - DLY_IN (DLY_OUT connected to In0)   |                            |       |
|         |                                      | CNT/DLY → DFF   | 10110: Matrix A - D; Matrix B - nSET/nRST; Matrix C - DLY_IN (DLY_OUT connected to CLK)   |                            |       |
|         |                                      | LUT → CNT/DLY   | 00011: Matrix A - In2; Matrix B - In1; Matrix C - In0 (LUT_OUT connected to DLY_IN)   |                            |       |
|         | DFF → CNT/DLY                        | 00111: Matrix A - D; Matrix B - nSET/nRST; Matrix C - CLK (DFF_OUT connected to DLY_IN) |   |                            |       |
|         | 1487:1486                            | CNT5 initial value selection  | 00: bypass the initial<br>01: initial 0<br>10: initial 1<br>11: initial 1   |                            |       |
| BA      | 1495:1488                            | LUT3_11_DFF14 setting   | [7]: LUT3_11[7]/DFF or LATCH Select<br>0: DFF function; 1: LATCH function<br>[6]: LUT3_11[6]/DFF Output Select<br>0: Q output; 1: QB output<br>[5]: LUT3_11[5]/DFF<br>0: nRST from Matrix Output; 1: nSET from Matrix Output<br>[4]: LUT3_11[4]/DFF Initial Polarity Select<br>0: Low; 1: High<br>[3:0]: LUT3_11[3:0] |                            |       |

## GreenPAK Programmable Mixed-Signal Matrix with In System Programmability

**Table 53: Register Map (Continued)**

| Address |                          | Signal Function  | Register Bit Definition  | I <sup>2</sup> C Interface |       |
|---------|--------------------------|--|--|----------------------------|-------|
| Byte    | Register Bit             |  |  | Read                       | Write |
| BB      | 1499:1496                | DLY/CNT5 Clock Source Select   | Clock source SEL [3:0]<br>0000: 25M(OSC2); 0001: 25M/4; 0010: 2M(OSC1);<br>0011: 2M/8; 0100: 2M/64; 0101: 2M/512;<br>0110: 2K(OSC0);<br>0111: 2K/8; 1000: 2K/64; 1001: 2K/512;<br>1010: 2K/4096;<br>1011: 2K/32768; 1100: 2K/262144; 1101: CNT_END;<br>1110: External; 1111: Not used  |                            |       |
|         | 1503:1500                | CNT5 function and edge mode selection                                    | 0000: both edge Delay; 0001: falling edge delay; 0010: rising edge delay; 0011: both edge One Shot; 0100: falling edge One Shot; 0101: rising edge One Shot; 0110: both edge freq detect; 0111: falling edge freq detect; 1000: rising edge freq detect; 1001: both edge detect; 1010: falling edge detect; 1011: rising edge detect; 1100: both edge reset CNT; 1101: falling edge reset CNT; 1110: rising edge reset CNT; 1111: high level reset CNT |                            |       |
| BC      | 1511:1504                | REG_CNT5_Data[7:0]   | Data[7:0]  |                            |       |
| BD      | 1512                     | CNT5 output pol selection  | 0: Default Output<br>1: Inverted Output  |                            |       |
|         | 1513                     | Reserved   |  |                            |       |
|         | 1514                     | CNT5 CNT mode SYNC selection   | 0: bypass<br>1: after two DFF  |                            |       |
|         | 1515                     | CNT5 DLY EDET FUNCTION Selection   | 0: normal<br>1: DLY function edge detection  |                            |       |
|         | 1538, 1519:1516          | Single 3-bit LUT   | 00000: Matrix A - In2; Matrix B - In1; Matrix C - In0 (DLY_IN - LOW)   |                            |       |
|         | Single DFF w RST and SET | 10000: Matrix A - D; Matrix B - nSET/nRST; Matrix C - CLK (DLY_IN - LOW) |  |                            |       |

## GreenPAK Programmable Mixed-Signal Matrix with In System Programmability

**Table 53: Register Map** (Continued)

| Address |                    | Signal Function       | Register Bit Definition   | I <sup>2</sup> C Interface |       |
|---------|--------------------|-----------------------|---|----------------------------|-------|
| Byte    | Register Bit       |                       |   | Read                       | Write |
| BD      | 1538,<br>1519:1516 | Single CNT/DLY        | 00001: Matrix A - DLY_IN (CNT); Matrix B - EXT_CLK (CNT); Matrix C - NC (DLY_OUT connected to LUT/DFF)  |                            |       |
|         |                    | CNT/DLY → LUT         | 00010: Matrix A - DLY_IN; Matrix B - In1; Matrix C - In0 (DLY_OUT connected to In2)   |                            |       |
|         |                    | CNT/DLY → DFF         | 10010: Matrix A - DLY_IN; Matrix B - nSET/nRST; Matrix C - CLK (DLY_OUT connected to D)   |                            |       |
|         |                    | CNT/DLY → LUT         | 00110: Matrix A - In2; Matrix B - DLY_IN; Matrix C - In0 (DLY_OUT connected to In1)   |                            |       |
|         |                    | CNT/DLY → DFF         | 10110: Matrix A - D; Matrix B - DLY_IN; Matrix C - CLK (DLY_OUT connected to nSET/nRST)   |                            |       |
|         |                    | CNT/DLY → LUT         | 01010: Matrix A - In2; Matrix B - In1; Matrix C - DLY_IN (DLY_OUT connected to In0)   |                            |       |
|         |                    | CNT/DLY → DFF         | 11010: Matrix A - D; Matrix B - nSET/nRST; Matrix C - DLY_IN (DLY_OUT connected to CLK)   |                            |       |
|         |                    | LUT → CNT/DLY         | 00011: Matrix A - In2; Matrix B - In1; Matrix C - In0 (LUT_OUT connected to DLY_IN)   |                            |       |
|         |                    | DFF → CNT/DLY         | 10011: Matrix A - D; Matrix B - nSET/nRST; Matrix C - CLK (DFF_OUT connected to DLY_IN)   |                            |       |
| BE      | 1527:1520          | LUT3_12_DFF15 setting | [7]: LUT3_12[7]/DFF or LATCH Select<br>0: DFF function; 1: LATCH function<br>[6]: LUT3_12[6]/DFF Output Select<br>0: Q output; 1: QB output<br>[5]: LUT3_12[5]/DFF<br>0: nRST from Matrix Output; 1: nSET from Matrix Output<br>[4]: LUT3_12[4]/DFF Initial Polarity Select<br>0: Low; 1: High<br>[3:0]: LUT3_12[3:0] |                            |       |

## GreenPAK Programmable Mixed-Signal Matrix with In System Programmability

Table 53: Register Map (Continued)

| Address |              | Signal Function                       | Register Bit Definition  | I <sup>2</sup> C Interface |       |
|---------|--------------|---------------------------------------|--|----------------------------|-------|
| Byte    | Register Bit |                                       |  | Read                       | Write |
| BF      | 1531:1528    | DLY/CNT6 Clock Source Select          | Clock source SEL [3:0]<br>0000: 25M(OSC2); 0001: 25M/4; 0010: 2M(OSC1);<br>0011: 2M/8; 0100: 2M/64; 0101: 2M/512;<br>0110: 2K(OSC0);<br>0111: 2K/8; 1000: 2K/64; 1001: 2K/512;<br>1010: 2K/4096;<br>1011: 2K/32768; 1100: 2K/262144; 1101: CNT_END;<br>1110: External; 1111: Not used  |                            |       |
|         | 1535:1532    | CNT6 function and edge mode selection | 0000: both edge Delay; 0001: falling edge delay; 0010: rising edge delay; 0011: both edge One Shot; 0100: falling edge One Shot; 0101: rising edge One Shot; 0110: both edge freq detect;<br>0111: falling edge freq detect; 1000: rising edge freq detect;<br>1001: both edge detect; 1010: falling edge detect; 1011: rising edge detect; 1100: both edge reset CNT; 1101: falling edge reset CNT; 1110: rising edge reset CNT; 1111: high level reset CNT |                            |       |
| C0      | 1537:1536    | CNT6 initial value selection          | 00: bypass the initial<br>01: initial 0<br>10: initial 1<br>11: initial 1  |                            |       |
|         | 1539         | CNT6 output pol selection             | 0: Default Output<br>1: Inverted Output  |                            |       |
|         | 1540         | Reserved                              |  |                            |       |
|         | 1541         | CNT6 CNT mode SYNC selection          | 0: bypass<br>1: after two DFF  |                            |       |
|         | 1542         | CNT6 DLY EDET FUNCTION Selection      | 0: normal<br>1: DLY function edge detection  |                            |       |
|         | 1543         | Reserved                              |  |                            |       |
| C1      | 1551:1544    | REG_CNT6_Data[7:0]                    | Data[7:0]  |                            |       |
| C2      | 1556:1552    | Single 3-bit LUT                      | 00000: Matrix A - In2; Matrix B - In1;<br>Matrix C - In0<br>(DLY_IN - LOW)   |                            |       |
|         |              | Single DFF w RST and SET              | 10000: Matrix A - D; Matrix B - nSET/nRST; Matrix C - CLK<br>(DLY_IN - LOW)  |                            |       |

## GreenPAK Programmable Mixed-Signal Matrix with In System Programmability

**Table 53: Register Map** (Continued)

| Address |               | Signal Function   | Register Bit Definition   | I <sup>2</sup> C Interface              |       |
|---------|---------------|---|---|---|-------|
| Byte    | Register Bit  |   |   | Read                                    | Write |
| C2      | 1556:1552     | Single CNT/DLY  | 00001: Matrix A - DLY_IN (CNT); Matrix B - EXT_CLK (CNT); Matrix C - NC (DLY_OUT connected to LUT/DFF)  |   |       |
|         |               | CNT/DLY → LUT   | 00010: Matrix A - DLY_IN; Matrix B - In1; Matrix C - In0 (DLY_OUT connected to In2)   |   |       |
|         |               | CNT/DLY → DFF   | 10010: Matrix A - DLY_IN; Matrix B - nSET/nRST; Matrix C - CLK (DLY_OUT connected to D)   |   |       |
|         |               | CNT/DLY → LUT   | 00110: Matrix A - In2; Matrix B - DLY_IN; Matrix C - In0 (DLY_OUT connected to In1)   |   |       |
|         |               | CNT/DLY → DFF   | 10110: Matrix A - D; Matrix B - DLY_IN; Matrix C - CLK (DLY_OUT connected to nSET/nRST)   |   |       |
|         |               | CNT/DLY → LUT   | 01010: Matrix A - In2; Matrix B - In1; Matrix C - DLY_IN (DLY_OUT connected to In0)   |   |       |
|         |               | CNT/DLY → DFF   | 11010: Matrix A - D; Matrix B - nSET/nRST; Matrix C - DLY_IN (DLY_OUT connected to CLK)   |   |       |
|         |               | LUT → CNT/DLY   | 00011: Matrix A - In2; Matrix B - In1; Matrix C - In0 (LUT_OUT connected to DLY_IN)   |   |       |
|         | DFF → CNT/DLY | 10011: Matrix A - D; Matrix B - nSET/nRST; Matrix C - CLK (DFF_OUT connected to DLY_IN) |   |   |       |
|         |               | 1557  | CNT7 output pol selection   | 0: Default Output<br>1: Inverted Output |       |
|         | 1558          | Reserved  |   |   |       |
|         | 1559          | CNT7 CNT mode SYNC selection  | 0: bypass<br>1: after two DFF   |   |       |
| C3      | 1567:1560     | LUT3_13_DFF16 setting   | [7]: LUT3_13[7]/DFF or LATCH Select<br>0: DFF function; 1: LATCH function<br>[6]: LUT3_13[6]/DFF Output Select<br>0: Q output; 1: QB output<br>[5]: LUT3_13[5]/DFF<br>0: nRST from Matrix Output; 1: nSET from Matrix Output<br>[4]: LUT3_13[4]/DFF Initial Polarity Select<br>0: Low; 1: High<br>[3:0]: LUT3_13[3:0] |   |       |



## GreenPAK Programmable Mixed-Signal Matrix with In System Programmability

**Table 53: Register Map** (Continued)

| Address |              | Signal Function   | Register Bit Definition  | I <sup>2</sup> C Interface |       |
|---------|--------------|---|--|----------------------------|-------|
| Byte    | Register Bit |   |  | Read                       | Write |
| C4      | 1571:1568    | DLY/CNT7 Clock Source Select  | Clock source SEL [3:0]<br>0000: 25M(OSC2); 0001: 25M/4; 0010: 2M(OSC1);<br>0011: 2M/8; 0100: 2M/64; 0101: 2M/512;<br>0110: 2K(OSC0);<br>0111: 2K/8; 1000: 2K/64; 1001: 2K/512;<br>1010: 2K/4096;<br>1011: 2K/32768; 1100: 2K/262144; 1101: CNT_END;<br>1110: External; 1111: Not used  |                            |       |
|         | 1575:1572    | CNT7 function and edge mode selection   | 0000: both edge Delay; 0001: falling edge delay; 0010: rising edge delay; 0011: both edge One Shot; 0100: falling edge One Shot; 0101: rising edge One Shot; 0110: both edge freq detect; 0111: falling edge freq detect; 1000: rising edge freq detect; 1001: both edge detect; 1010: falling edge detect; 1011: rising edge detect; 1100: both edge reset CNT; 1101: falling edge reset CNT; 1110: rising edge reset CNT; 1111: high level reset CNT |                            |       |
| C5      | 1577:1576    | CNT7 initial value selection  | 00: bypass the initial<br>01: initial 0<br>10: initial 1<br>11: initial 1  |                            |       |
|         | 1578         | CNT7 DLY EDET FUNCTION Selection  | 0: normal<br>1: DLY function edge detection  |                            |       |
|         | 1583:1579    | Reserved  |  |                            |       |
| C6      | 1591:1584    | REG_CNT7_Data[7:0]  | Data[7:0]  |                            |       |
| C7      | 1592         | IO0 I <sup>2</sup> C output expander data                                     |  |                            |       |
|         | 1593         | IO0 I <sup>2</sup> C output expander select                                   | 0: IO0 output come from matrix<br>1: IO0 output is register  |                            |       |
|         | 1594         | IO5 I <sup>2</sup> C output expander data                                     |  |                            |       |
|         | 1595         | IO5 I <sup>2</sup> C output expander select                                   | 0: IO5 output come from matrix<br>1: IO5 output is register  |                            |       |
|         | 1596         | IO6 I <sup>2</sup> C output expander data                                     |  |                            |       |
|         | 1597         | IO6 I <sup>2</sup> C output expander select                                   | 0: IO6 output come from matrix<br>1: IO6 output is register  |                            |       |
|         | 1598         | IO9 I <sup>2</sup> C output expander data                                     |  |                            |       |
| C8      | 1599         | IO9 I <sup>2</sup> C output expander select                                   | 0: IO9 output come from matrix<br>1: IO9 output is register  |                            |       |
|         | 1600         | Reserved  |  |                            |       |
|         | 1601         | I <sup>2</sup> C reset bit with reloading NVM into Data register (soft reset) | 0: Keep existing condition<br>1: Reset execution   |                            |       |
|         | 1602         | IO latching enable during I <sup>2</sup> C write interface                    | 1: disable<br>0: enable  |                            |       |
|         | 1607:1603    | Reserved  |  |                            |       |

## GreenPAK Programmable Mixed-Signal Matrix with In System Programmability

**Table 53: Register Map** (Continued)

| Address         |              | Signal Function                               | Register Bit Definition         | I <sup>2</sup> C Interface |       |
|-----------------|--------------|---|---------------------------------|----------------------------|-------|
| Byte            | Register Bit |   |                                 | Read                       | Write |
| C9              | 1615:1608    | I <sup>2</sup> C write mask bits              | 0: overwrite<br>1: mask         |                            |       |
| CA              | 1619:1616    | I <sup>2</sup> C slave address                |                                 |                            |       |
|                 | 1620         | Slave address selection A4                    | 0: from register<br>1: from IO5 |                            |       |
|                 | 1621         | Slave address selection A5                    | 0: from register<br>1: from IO4 |                            |       |
|                 | 1622         | Slave address selection A6                    | 0: from register<br>1: from IO3 |                            |       |
|                 | 1623         | Slave address selection A7                    | 0: from register<br>1: from IO2 |                            |       |
| CB              | 1631:1624    | 8-bit Pattern ID Byte 0 (From NVM): ID[23:16] |                                 |                            |       |
| CC              | 1639:1632    | Reserved                                      |                                 |                            |       |
| <b>Reserved</b> |              |   |                                 |                            |       |
| CD              | 1643:1640    | Reserved                                      |                                 |                            |       |
|                 | 1647:1644    | Reserved                                      |                                 |                            |       |
| CE              | 1648         | Reserved                                      |                                 |                            |       |
|                 | 1652:1649    | Reserved                                      |                                 |                            |       |
|                 | 1653         | Reserved                                      |                                 |                            |       |
|                 | 1654         | Reserved                                      |                                 |                            |       |
|                 | 1655         | Reserved                                      |                                 |                            |       |
| CF              | 1657:1656    | Reserved                                      |                                 |                            |       |
|                 | 1658         | Reserved                                      |                                 |                            |       |
|                 | 1659         | Reserved                                      |                                 |                            |       |
|                 | 1660         | Reserved                                      |                                 |                            |       |
|                 | 1661         | Reserved                                      |                                 |                            |       |
|                 | 1662         | Reserved                                      |                                 |                            |       |
|                 | 1663         | Reserved                                      |                                 |                            |       |
| D0              | 1671:1664    | Reserved                                      |                                 |                            |       |
| D1              | 1679:1672    | Reserved                                      |                                 |                            |       |
| D2              | 1687:1680    | Reserved                                      |                                 |                            |       |
| D3              | 1695:1688    | Reserved                                      |                                 |                            |       |
| D4              | 1703:1696    | Reserved                                      |                                 |                            |       |
| D5              | 1711:1704    | Reserved                                      |                                 |                            |       |
| D6              | 1719:1712    | Reserved                                      |                                 |                            |       |
| D7              | 1727:1720    | Reserved                                      |                                 |                            |       |
| D8              | 1735:1728    | Reserved                                      |                                 |                            |       |
| D9              | 1743:1736    | Reserved                                      |                                 |                            |       |
| DA              | 1751:1744    | Reserved                                      |                                 |                            |       |
| DB              | 1759:1752    | Reserved                                      |                                 |                            |       |
| DC              | 1767:1760    | Reserved                                      |                                 |                            |       |
| DD              | 1775:1768    | Reserved                                      |                                 |                            |       |

## GreenPAK Programmable Mixed-Signal Matrix with In System Programmability

**Table 53: Register Map** (Continued)

| Address   |              | Signal Function                                  | Register Bit Definition   | I <sup>2</sup> C Interface |       |
|-----------|--------------|--|---|----------------------------|-------|
| Byte      | Register Bit |  |   | Read                       | Write |
| DE        | 1783:1776    | Reserved   |   |                            |       |
| DF        | 1791:1784    | Reserved   |   |                            |       |
| E0<br>RPR | 1793:1792    | 2k Register Read Selection Bits<br>RPRB[1:0]     | 00: 2k register data is unprotected for read;<br>01: 2k register data is partly protected for read;<br>10: 2k register data is fully protected for read;<br>11: reserved  |                            |       |
|           | 1795:1794    | 2k Register Write Selection Bits<br>RPRB[3:2]    | 00: 2k register data is unprotected for write;<br>01: 2k register data is partly protected for write;<br>10: 2k register data is fully protected for write;<br>11: reserved   |                            |       |
|           | 1796         | Reserved   |   |                            |       |
|           | 1797         | Reserved   |   |                            |       |
|           | 1798         | Reserved   |   |                            |       |
|           | 1799         | Reserved   |   |                            |       |
| E1<br>NPR | 1801:1800    | 2k NVM Configuration Selection Bits<br>NPRB[1:0] | 00: 2k NVM Configuration data is unprotected for read and write/erase;<br>01: 2k NVM Configuration data is fully protected for read;<br>10: 2k NVM Configuration data is fully protected for write/erase;<br>11: 2k NVM Configuration data is fully protected for read and write/erase. |                            |       |
|           | 1802         | Reserved   |   |                            |       |
|           | 1803         | Reserved   |   |                            |       |
|           | 1804         | Reserved   |   |                            |       |
|           | 1805         | Reserved   |   |                            |       |
|           | 1806         | Reserved   |   |                            |       |
|           | 1807         | Reserved   |   |                            |       |
| E2<br>WPR | 1809:1808    | Reserved   |   |                            |       |
|           | 1810         | Write Protect Register Enable                    | 0: No Software Write Protection enabled (default).<br>1: Write Protection is set by the state of the WPB[1:0] bits.   |                            |       |
|           | 1815:1811    | Reserved   |   |                            |       |

## GreenPAK Programmable Mixed-Signal Matrix with In System Programmability

**Table 53: Register Map** (Continued)

| Address |              | Signal Function                        | Register Bit Definition  | I <sup>2</sup> C Interface |       |
|---------|--------------|--|--|----------------------------|-------|
| Byte    | Register Bit |  |  | Read                       | Write |
| E3      | 1820:1816    | Page Selection for Erase<br>ERSEB[4:0] | Define the page address which will be erased.<br>ERSEB[4] = 0 corresponds to the upper 2k NVM used for chip configuration;   |                            |       |
|         | 1821         | Reserved                               |  |                            |       |
|         | 1822         | Reserved                               |  |                            |       |
|         | 1823         | Erase Enable<br>ERSE                   | 0: erase disable<br>1: cause the NVM erase: full NVM (4k bits) erase for ERSCHIP = 1 (reg[1973]) if DIS_ERSCHIP = 0 (reg[1972]) or page erase for ERSCHIP = 0 (reg[1973]). |                            |       |
| E4      | 1824         | Protection Lock Bit (PRL)              | 0: RPR/WPR/NPR setting can be changed<br>1: RPR/WPR/NPR setting cannot be changed  |                            |       |
|         | 1831:1825    | Reserved                               |  |                            |       |
| E5      | 1839:1832    | Reserved                               |  |                            |       |
| E6      | 1847:1840    | Reserved                               |  |                            |       |
| E7      | 1855:1848    | Reserved                               |  |                            |       |
| E8      | 1863:1856    | Reserved                               |  |                            |       |
| E9      | 1871:1864    | Reserved                               |  |                            |       |
| EA      | 1879:1872    | Reserved                               |  |                            |       |
| EB      | 1887:1880    | Reserved                               |  |                            |       |
| EC      | 1895:1888    | Reserved                               |  |                            |       |
| ED      | 1903:1896    | Reserved                               |  |                            |       |
| EE      | 1911:1904    | Reserved                               |  |                            |       |
| EF      | 1919:1912    | Reserved                               |  |                            |       |
| F0      | 1926:1920    | Reserved                               |  |                            |       |
|         | 1927         | Reserved                               |  |                            |       |
| F1      | 1932:1928    | Reserved                               |  |                            |       |
|         | 1934:1933    |  |  |                            |       |
|         | 1935         | Reserved                               |  |                            |       |
| F2      | 1940:1936    | Reserved                               |  |                            |       |
|         | 1943:1941    |  |  |                            |       |
| F3      | 1949:1944    | Reserved                               |  |                            |       |
|         | 1951:1950    |  |  |                            |       |
| F4      | 1957:1952    | Reserved                               |  |                            |       |
|         | 1959:1958    |  |  |                            |       |
| F5      | 1965:1960    | Reserved                               |  |                            |       |
|         | 1967:1966    |  |  |                            |       |

## GreenPAK Programmable Mixed-Signal Matrix with In System Programmability

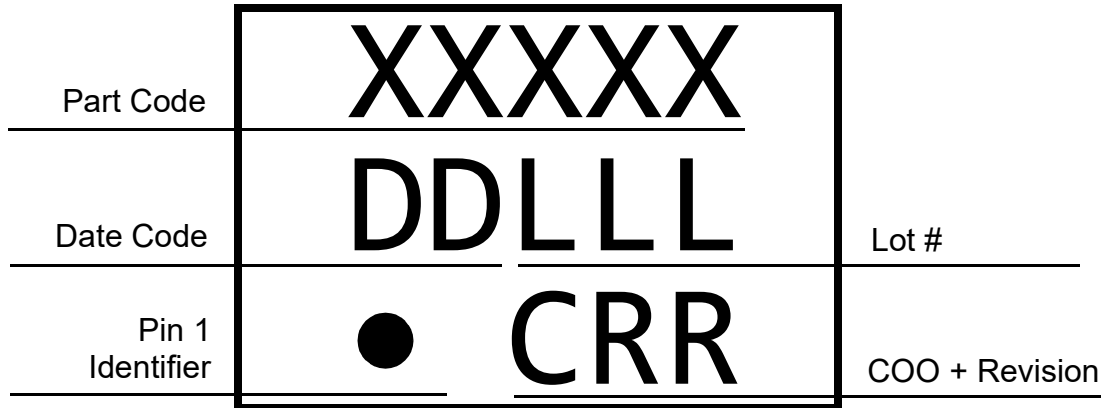
**Table 53: Register Map** (Continued)

| Address |              | Signal Function | Register Bit Definition | I <sup>2</sup> C Interface |       |
|---------|--------------|-----------------|-------------------------|----------------------------|-------|
| Byte    | Register Bit |                 |                         | Read                       | Write |
| F6      | 1968         | Reserved        |                         |                            |       |
|         | 1971:1969    | Reserved        |                         |                            |       |
|         | 1972         | Reserved        |                         |                            |       |
|         | 1973         | Reserved        |                         |                            |       |
|         | 1974         | Reserved        |                         |                            |       |
|         | 1975         | Reserved        |                         |                            |       |
| F7      | 1983:1976    | Reserved        |                         |                            |       |
| F8      | 1991:1984    | Reserved        |                         |                            |       |
| F9      | 1992         | Reserved        |                         |                            |       |
|         | 1993         | Reserved        |                         |                            |       |
|         | 1995:1994    | Reserved        |                         |                            |       |
|         | 1999:1996    | Reserved        |                         |                            |       |
| FA      | 2000         | Reserved        |                         |                            |       |
|         | 2001         | Reserved        |                         |                            |       |
|         | 2002         | Reserved        |                         |                            |       |
|         | 2006:2003    |                 |                         |                            |       |
|         | 2007         | Reserved        |                         |                            |       |
| FB      | 2015:2008    | Reserved        |                         |                            |       |
| FC      | 2023:2016    | Reserved        |                         |                            |       |
| FD      | 2031:2024    | Reserved        |                         |                            |       |
| FE      | 2039:2032    | Reserved        |                         |                            |       |
| FF      | 2047:2040    | Reserved        |                         |                            |       |

GreenPAK Programmable Mixed-Signal Matrix with In System Programmability

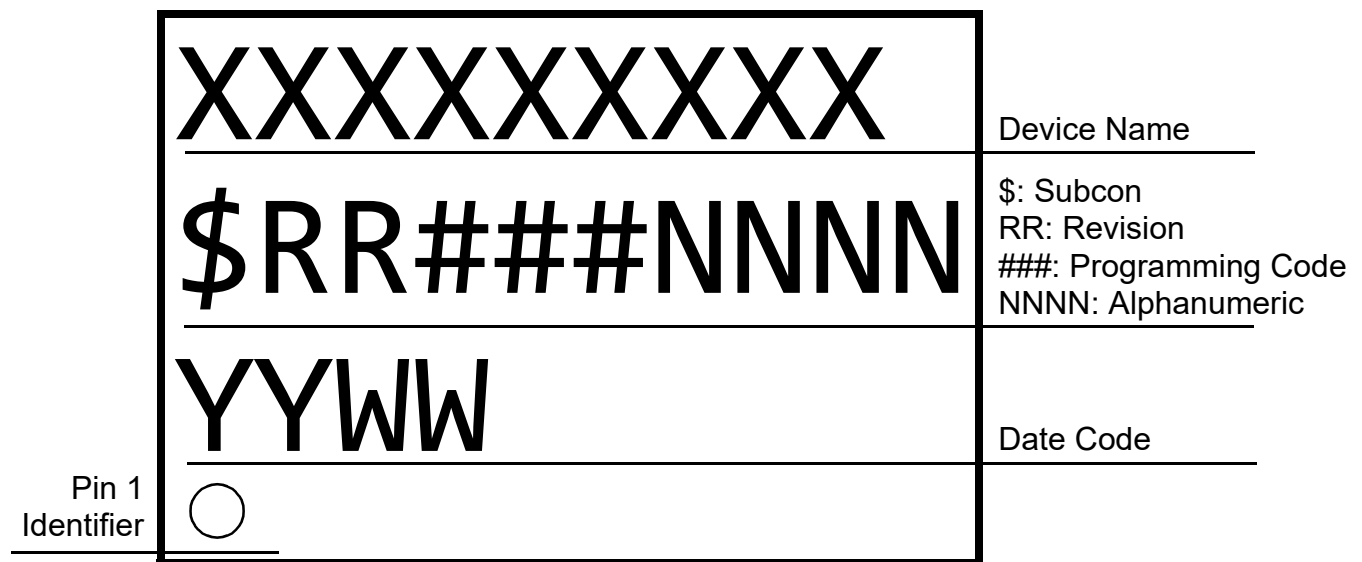
18 Package Top Marking System Definition

18.1 STQFN 20L 2 MM X 3 MM 0.4P FCD PACKAGE



- XXXXXX - Part ID Field identifies the specific device configuration
- DD - Date Code Field: Coded date of manufacture
- LLL - Lot Code: Designates Lot #
- C - Assembly Site/COO: Specifies Assembly Site/Country of Origin
- RR - Revision Code: Device Revision

18.2 TSSOP-20

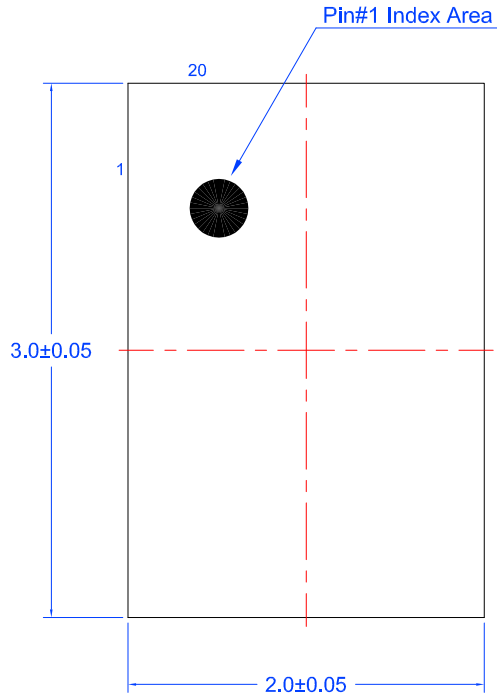


GreenPAK Programmable Mixed-Signal Matrix with In System Programmability

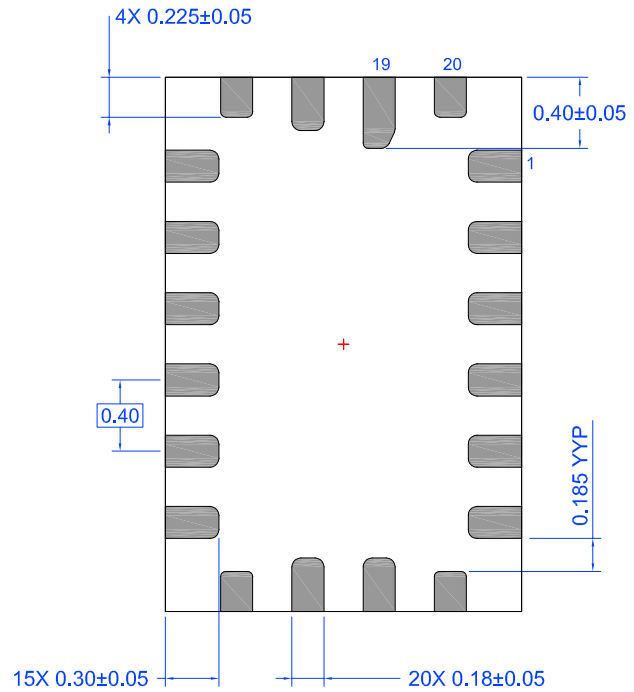
19 Package Information

19.1 PACKAGE OUTLINES FOR STQFN 20L 2 MM X 3 MM 0.4P FCD

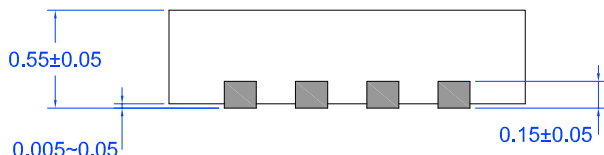
JEDEC MO-220, Variation WECE  
IC Net Weight: TBD g



**Marking View**



**BTM View**

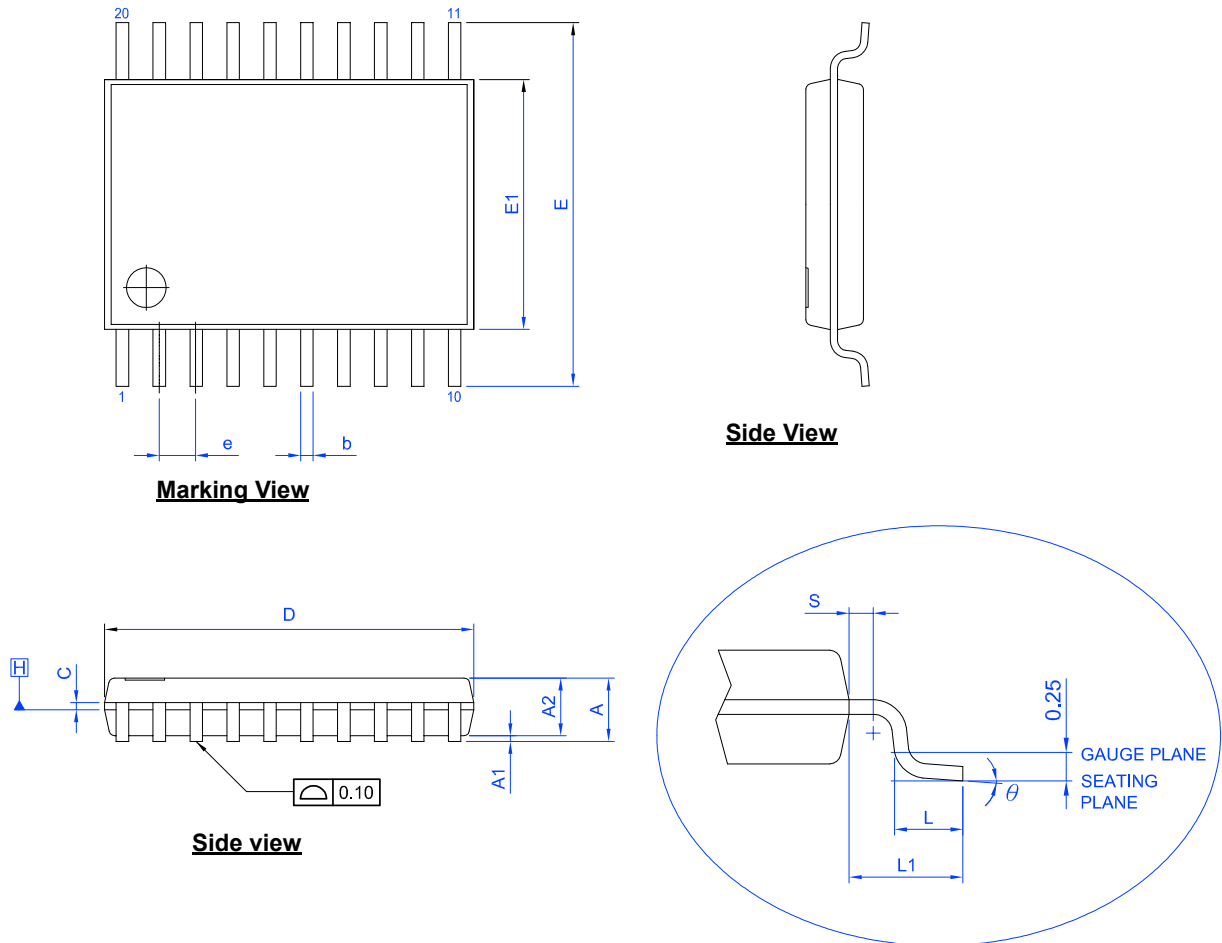


**Side view**

**Unit: mm**

GreenPAK Programmable Mixed-Signal Matrix with In System Programmability

19.2 PACKAGE OUTLINES FOR TSSOP 20L 173 MIL GREEN



Unit: mm

| Symbol | Min      | Nom. | Max  | Symbol | Min      | Nom. | Max  |
|--------|----------|------|------|--------|----------|------|------|
| A      | -        | -    | 1.20 | D      | 6.40     | 6.50 | 6.60 |
| A1     | 0.05     | -    | 0.15 | E1     | 4.30     | 4.40 | 4.50 |
| A2     | 0.80     | 0.90 | 1.05 | E      | 6.40 BSC |      |      |
| b      | 0.19     | -    | 0.30 | L      | 0.50     | 0.60 | 0.75 |
| C      | 0.09     | -    | 0.20 | L1     | 1.00 REF |      |      |
| e      | 0.65 BSC |      |      | S      | 0.20     | -    | -    |
|        |          |      |      | Θ      | 0°       | -    | 8°   |

NOTES:

1. JEDEC OUTLINE :  
STANDARD : MO-153 AC REV.F  
THERMALLY ENHANCED : MO-153 ACT REV.F
2. DIMENSION 'D' DOES NOT INCLUDE MOLD FLASH, PROTRUSIONS OR GATE BURRS. MOLD FLASH, PROTRUSIONS OR GATE BURRS SHALL NOT EXCEED 0.15 PER SIDE.
3. DIMENSION 'E1' DOES NOT INCLUDE INTERLEAD FLASH OR PROTRUSION. INTERLEAD FLASH OR PROTRUSION SHALL NOT EXCEED 0.25 PER SIDE.
4. DIMENSION 'b' DOES NOT INCLUDE DAMBAR PROTRUSION. ALLOWABLE DAMBAR PROTRUSION SHALL BE 0.08 MM TOTAL IN EXCESS OF THE 'b' DIMENSION AT MAXIMUM MATERIAL CONDITION. DAMBAR CANNOT BE LOCATED ON THE LOWER RADIUS OF THE FOOT. MINIMUM SPACE BETWEEN PROTRUSION AND ADJACENT LEAD IS 0.07 MM.
5. DIMENSIONS 'D' AND 'E1' TO BE DETERMINED AT DATUM PLANE H



## GreenPAK Programmable Mixed-Signal Matrix with In System Programmability

### 19.3 STQFN AND TSSOP HANDLING

Be sure to handle STQFN and TSSOP packages only in a clean, ESD-safe environment. Tweezers or vacuum pick-up tools are suitable for handling. Do not handle STQFN and TSSOP packages with fingers as this can contaminate the package pins and interface with solder reflow.

### 19.4 SOLDERING INFORMATION

Please see IPC/JEDEC J-STD-020: latest revision for reflow profile based on package volume of 3.30 mm<sup>3</sup> (nominal) for STQFN 20L Package and package volume of 25.74 mm<sup>3</sup> (nominal) for TSSOP-20 Package. More information can be found at [www.jedec.org](http://www.jedec.org).

## 20 Ordering Information

| Part Number | Type                                    |
|-------------|---|
| SLG46824V   | 20-pin STQFN                            |
| SLG46824VTR | 20-pin STQFN - Tape and Reel (3k units) |
| SLG46824G   | 20-pin TSSOP                            |
| SLG46824GTR | 20-pin TSSOP Tape and Reel (4k units)   |

### 20.1 TAPE AND REEL SPECIFICATIONS

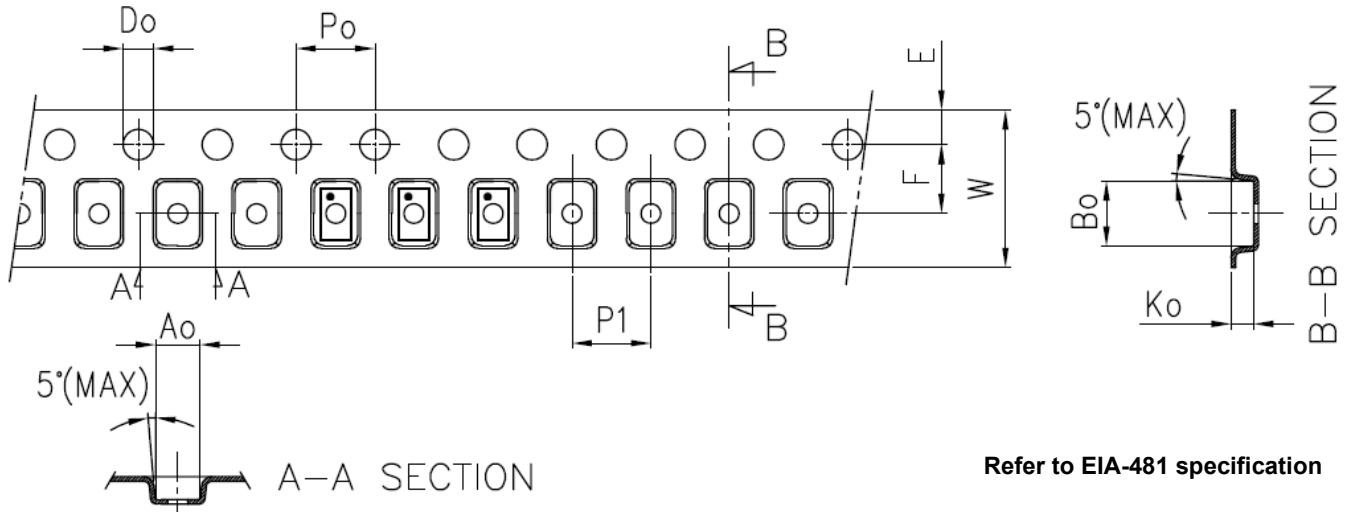
| Package Type                             | # of Pins | Nominal Package Size (mm) | Max Units |         | Reel & Hub Size (mm) | Leader (min) |             | Trailer (min) |             | Tape Width (mm) | Part Pitch (mm) |
|--|-----------|---------------------------|-----------|---------|----------------------|--------------|-------------|---------------|-------------|-----------------|-----------------|
|  |           |                           | per Reel  | per Box |                      | Pockets      | Length (mm) | Pockets       | Length (mm) |                 |                 |
| STQFN 20L<br>2 mm x3 mm<br>0.4P FCD      | 20        | 2 x 3 x 0.55              | 3,000     | 3,000   | 178/60               | 100          | 400         | 100           | 400         | 8               | 4               |
| TSSOP 20L<br>173 MIL<br>Green<br>Package | 20        | 6.5 x 6.4                 | 4,000     | 4,000   | 330/100              | 42           | 336         | 42            | 336         | 16              | 8               |

### 20.2 CARRIER TAPE DRAWING AND DIMENSIONS

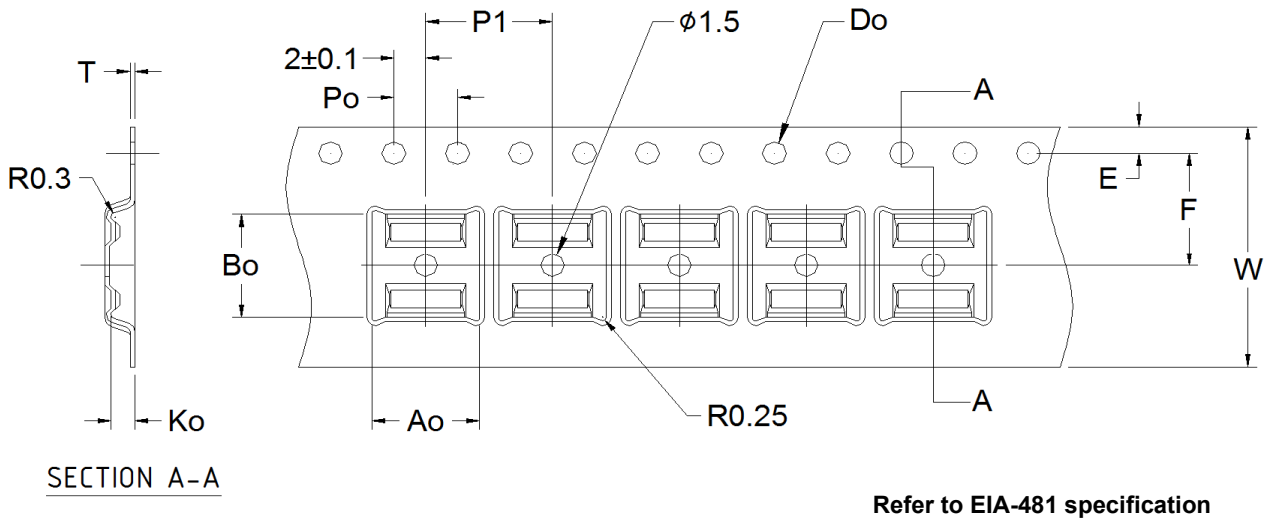
| Package Type                             | PocketBTM Length (mm) | PocketBTM Width (mm) | Pocket Depth (mm) | Index Hole Pitch (mm) | Pocket Pitch (mm) | Index Hole Diameter (mm) | Index Hole to Tape Edge (mm) | Index Hole to Pocket Center (mm) | Tape Width (mm) |
|--|-----------------------|----------------------|-------------------|-----------------------|-------------------|--------------------------|------------------------------|----------------------------------|-----------------|
|  | A0                    | B0                   | K0                | P0                    | P1                | D0                       | E                            | F                                | W               |
| STQFN 20L<br>2 mm x3 mm<br>0.4P FCD      | 2.2                   | 3.15                 | 0.76              | 4                     | 4                 | 1.5                      | 1.75                         | 3.5                              | 8               |
| TSSOP 20L<br>173 MIL<br>Green<br>Package | 6.8                   | 6.9                  | 1.6               | 4                     | 8                 | 1.5                      | 1.75                         | 7.5                              | 16              |

GreenPAK Programmable Mixed-Signal Matrix with In System Programmability

20.3 STQFN-20L



20.4 TSSOP-20L



Note: Orientation in carrier: Pin1 is at upper left corner (Quadrant1).

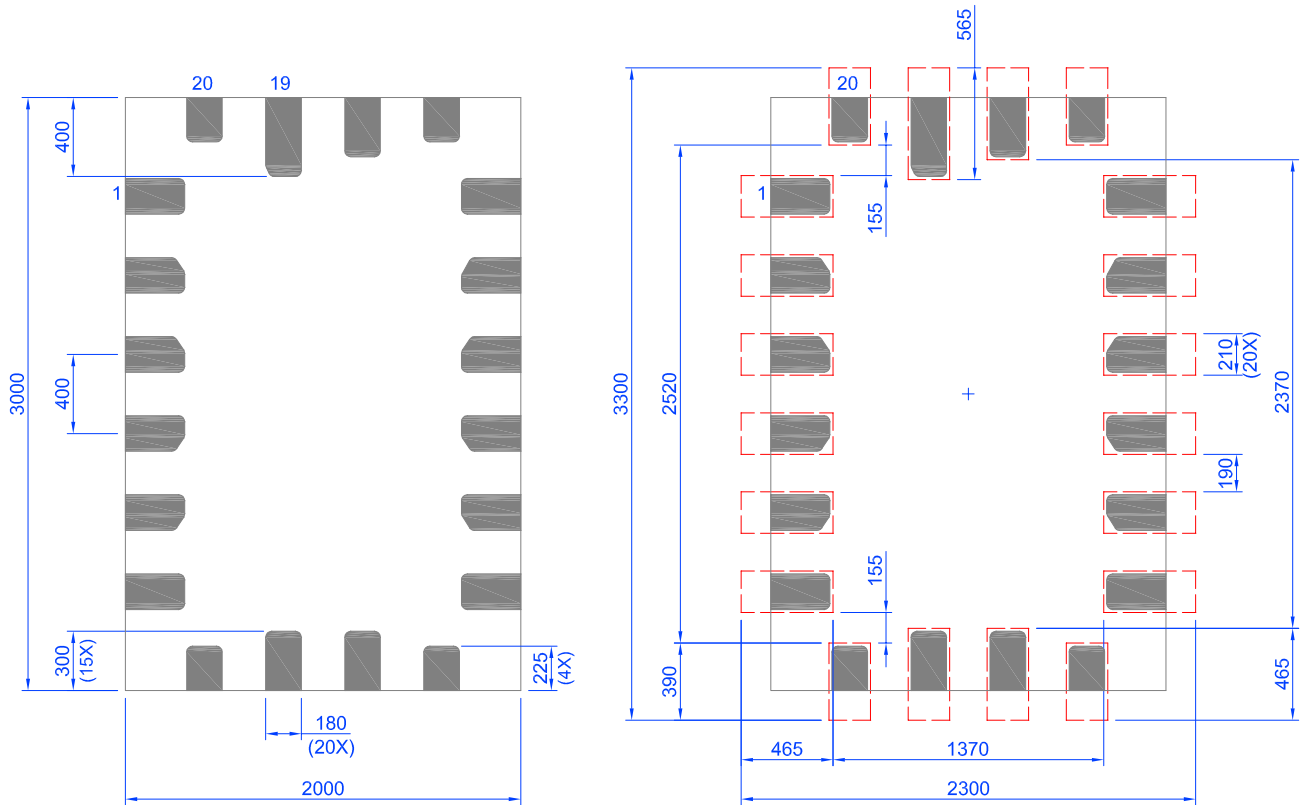
GreenPAK Programmable Mixed-Signal Matrix with In System Programmability

21 Layout Guidelines

21.1 STQFN 20L 2 MM X 3 MM 0.4P FCD PACKAGE

 Exposed Pad (PKG face down)

 Recommended Land Pattern (PKG face down)



Unit:  $\mu\text{m}$



## GreenPAK Programmable Mixed-Signal Matrix with In System Programmability

### Glossary

#### A

|       |                              |
|-------|------------------------------|
| ACK   | Acknowledge bit              |
| ACMP  | Analog Comparator            |
| ACMPH | Analog Comparator High Speed |
| ACMPL | Analog Comparator Low Power  |

#### B

|     |         |
|-----|---------|
| BG  | Bandgap |
| CLK | Clock   |

#### C

|     |                          |
|-----|--------------------------|
| CMO | Connection matrix output |
| CNT | Counter                  |

#### D

|     |             |
|-----|-------------|
| DFF | D Flip-Flop |
| DLY | Delay       |

#### E

|      |                            |
|------|----------------------------|
| EC   | Electrical Characteristics |
| ERSE | Erase Enable               |
| ERSR | Erase Register             |
| ESD  | Electrostatic discharge    |
| EV   | End Value                  |

#### F

|     |                      |
|-----|----------------------|
| FSM | Finite State Machine |
|-----|----------------------|

#### G

|      |                              |
|------|------------------------------|
| GPI  | General Purpose Input        |
| GPIO | General Purpose Input/Output |
| GPO  | General Purpose Output       |

#### I

|    |              |
|----|--------------|
| IN | Input        |
| IO | Input/Output |

#### L

|     |                       |
|-----|-----------------------|
| LPF | Low Pass Filter       |
| LSB | Least Significant Bit |
| LUT | Look Up Table         |

## GreenPAK Programmable Mixed-Signal Matrix with In System Programmability

LV Low Voltage

### M

MSB Most Significant Bit  
MTP Multiple-Time-Programmable  
MUX Multiplexer

### N

NPR Non-Volatile Memory Read/Write/Erase Protection  
nRST Reset  
NVM Non-Volatile Memory

### O

OD Open-Drain  
OE Output Enable  
OSC Oscillator  
OUT Output

### P

PD Power-down  
PGen Pattern Generator  
POR Power-On Reset  
PP Push-Pull  
PRL Protect Lock Bit  
PWR Power  
P DLY Programmable Delay

### R

RPR Register Read/Write Protection  
RPRB Register Read/Write Protection Bit  
RPRL Register Protection Read/Write/Erase Lock  
REG Register  
R/W Read/Write

### S

SCL I<sup>2</sup>C Clock Input  
SDA I<sup>2</sup>C Data Input/Output  
SLA Slave Address  
SMT With Schmitt Trigger  
SV nSET Value

---

**GreenPAK Programmable Mixed-Signal Matrix with In System Programmability****V**

Vref            Voltage Reference

**W**

WOSMT        Without Schmitt Trigger

WPB           Write Protect Bit

WPR           Write Protection Register

WPRE         Write Protect Enable

WS            Wake and Sleep Controller

## GreenPAK Programmable Mixed-Signal Matrix with In System Programmability

### Revision History

| Revision | Date        | Description  |
|----------|-------------|--|
| 3.9      | 15-Jul-2019 | Corrected Vref electrical specification<br>Updated according to new template<br>Corrected information in Analog Comparators section<br>Updated according to Dialog's Writing Guideline<br>Fixed typos<br>Corrected Oscillators names<br>Changed I <sup>2</sup> C Serial Communications Macrocell section structure                     |
| 3.8      | 8-Apr-2019  | Corrected 2-bit LUT3 or PGen figure<br>Corrected Electrical Spec   |
| 3.7      | 22-Mar-2019 | Added new subsection Electrostatic Discharge Ratings<br>Fixed typos<br>Removed information about SCL and SDA Pins' Schmitt Trigger<br>Corrected Absolute Maximum Ratings<br>Corrected Pinout figure  |
| 3.6      | 20-Feb-2019 | Updated Absolute Maximum Ratings<br>Added Maximum Average or DC Current (Through pin) parameter<br>Corrected ACMPs Block Diagrams<br>Added ACMPs' hysteresis information<br>Added additional information about V <sub>DD2</sub> to IO Pins section<br>Corrected Absolute Maximum Ratings<br>Updated Typical delay table<br>Fixed typos |
| 3.5      | 5-Nov-2018  | Added graphs to IO pins, ACMP and Oscillator sections<br>Fixed typos   |
| 3.4      | 14-Sep-2018 | Updated Oscillator Startup Diagram<br>Fixed typos<br>Updated Example of I <sup>2</sup> C Byte Write Bit Masking  |
| 3.3      | 8-Aug-2018  | Fixed typos  |
| 3.2      | 7-Aug-2018  | Fixed typos<br>Updated Electrical Spec<br>Updated figure I <sup>2</sup> C Block Addressing   |
| 3.1      | 24-May-2018 | Updated Electrical Spec<br>Fixed typos<br>Updated register definitions: [1602], [2015:2008]<br>Updated Electrical spec notes and conditions<br>Updated STQFN and TSSOP Handling section  |
| 3.0      | 2-May-2018  | Final version  |



## GreenPAK Programmable Mixed-Signal Matrix with In System Programmability

### Status Definitions

| Revision | Datasheet Status | Product Status | Definition   |
|----------|------------------|----------------|--|
| 1.<n>    | Target           | Development    | This datasheet contains the design specifications for product development. Specifications may change in any manner without notice.   |
| 2.<n>    | Preliminary      | Qualification  | This datasheet contains the specifications and preliminary characterization data for products in pre-production. Specifications may be changed at any time without notice in order to improve the design.  |
| 3.<n>    | Final            | Production     | This datasheet contains the final specifications for products in volume production. The specifications may be changed at any time in order to improve the design, manufacturing and supply. Major specification changes are communicated via Customer Product Notifications. Datasheet changes are communicated via <a href="http://www.dialog-semiconductor.com">www.dialog-semiconductor.com</a> . |
| 4.<n>    | Obsolete         | Archived       | This datasheet contains the specifications for discontinued products. The information is provided for reference only.  |

### Disclaimer

Unless otherwise agreed in writing, the Dialog Semiconductor products (and any associated software) referred to in this document are not designed, authorized or warranted to be suitable for use in life support, life-critical or safety-critical systems or equipment, nor in applications where failure or malfunction of a Dialog Semiconductor product (or associated software) can reasonably be expected to result in personal injury, death or severe property or environmental damage. Dialog Semiconductor and its suppliers accept no liability for inclusion and/or use of Dialog Semiconductor products (and any associated software) in such equipment or applications and therefore such inclusion and/or use is at the customer's own risk.

Information in this document is believed to be accurate and reliable. However, Dialog Semiconductor does not give any representations or warranties, express or implied, as to the accuracy or completeness of such information. Dialog Semiconductor furthermore takes no responsibility whatsoever for the content in this document if provided by any information source outside of Dialog Semiconductor.

Dialog Semiconductor reserves the right to change without notice the information published in this document, including, without limitation, the specification and the design of the related semiconductor products, software and applications. Notwithstanding the foregoing, for any automotive grade version of the device, Dialog Semiconductor reserves the right to change the information published in this document, including, without limitation, the specification and the design of the related semiconductor products, software and applications, in accordance with its standard automotive change notification process.

Applications, software, and semiconductor products described in this document are for illustrative purposes only. Dialog Semiconductor makes no representation or warranty that such applications, software and semiconductor products will be suitable for the specified use without further testing or modification. Unless otherwise agreed in writing, such testing or modification is the sole responsibility of the customer and Dialog Semiconductor excludes all liability in this respect.

Nothing in this document may be construed as a license for customer to use the Dialog Semiconductor products, software and applications referred to in this document. Such license must be separately sought by customer with Dialog Semiconductor.

All use of Dialog Semiconductor products, software and applications referred to in this document is subject to Dialog Semiconductor's [Standard Terms and Conditions of Sale](#), available on the company website ([www.dialog-semiconductor.com](http://www.dialog-semiconductor.com)) unless otherwise stated.

Dialog, Dialog Semiconductor and the Dialog logo are trademarks of Dialog Semiconductor Plc or its subsidiaries. All other product or service names and marks are the property of their respective owners.

© 2019 Dialog Semiconductor. All rights reserved.

### RoHS Compliance

Dialog Semiconductor's suppliers certify that its products are in compliance with the requirements of Directive 2011/65/EU of the European Parliament on the restriction of the use of certain hazardous substances in electrical and electronic equipment. RoHS certificates from our suppliers are available on request.

## Contacting Dialog Semiconductor

**United Kingdom (Headquarters)**  
Dialog Semiconductor (UK) LTD  
Phone: +44 1793 757700

**Germany**  
Dialog Semiconductor GmbH  
Phone: +49 7021 805-0

**The Netherlands**  
Dialog Semiconductor B.V.  
Phone: +31 73 640 8822

**Email:**  
[enquiry@diasemi.com](mailto:enquiry@diasemi.com)

**North America**  
Dialog Semiconductor Inc.  
Phone: +1 408 845 8500

**Japan**  
Dialog Semiconductor K. K.  
Phone: +81 3 5769 5100

**Taiwan**  
Dialog Semiconductor Taiwan  
Phone: +886 281 786 222

**Web site:**  
[www.dialog-semiconductor.com](http://www.dialog-semiconductor.com)

**Hong Kong**  
Dialog Semiconductor Hong Kong  
Phone: +852 2607 4271

**Korea**  
Dialog Semiconductor Korea  
Phone: +82 2 3469 8200

**China (Shenzhen)**  
Dialog Semiconductor China  
Phone: +86 755 2981 3669

**China (Shanghai)**  
Dialog Semiconductor China  
Phone: +86 21 5424 9058