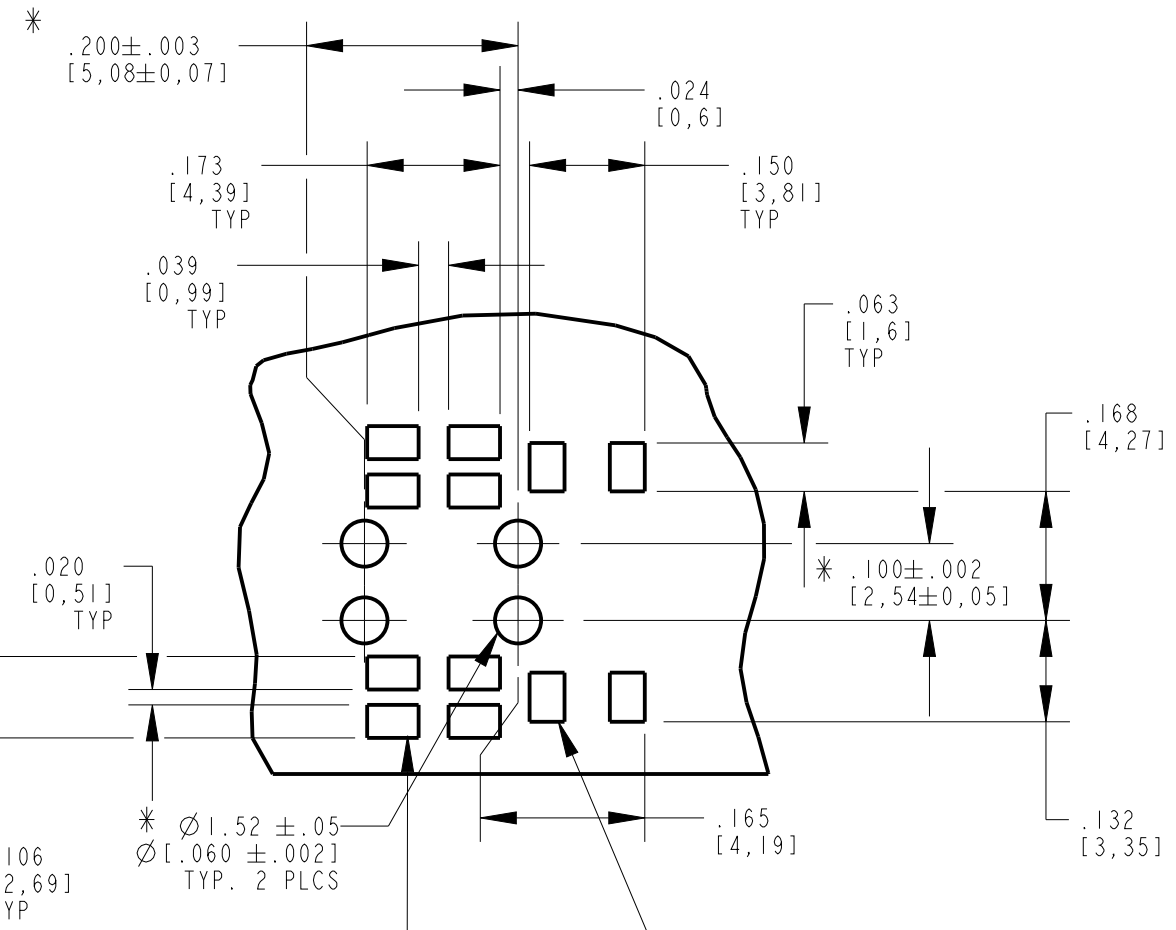
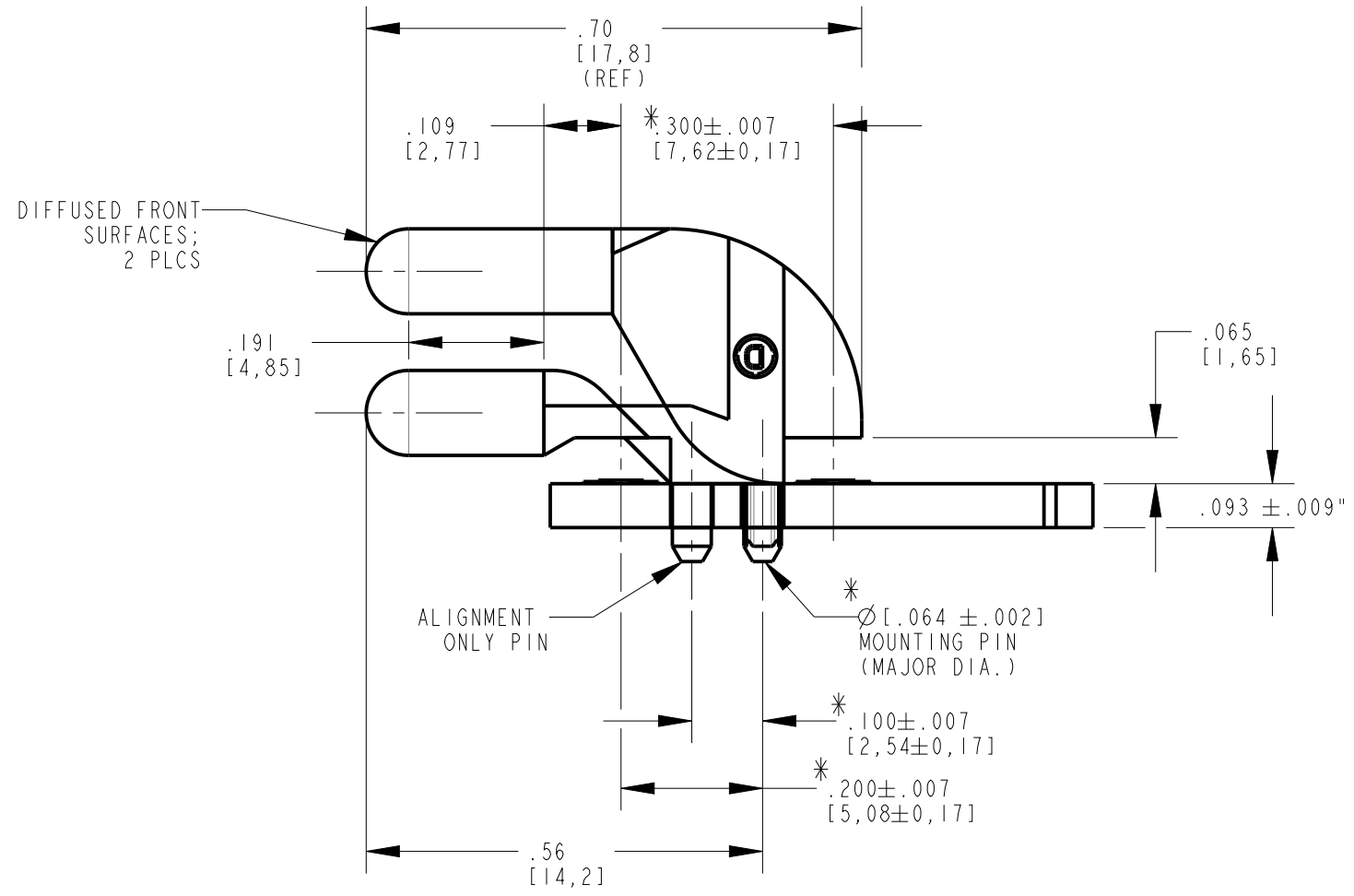
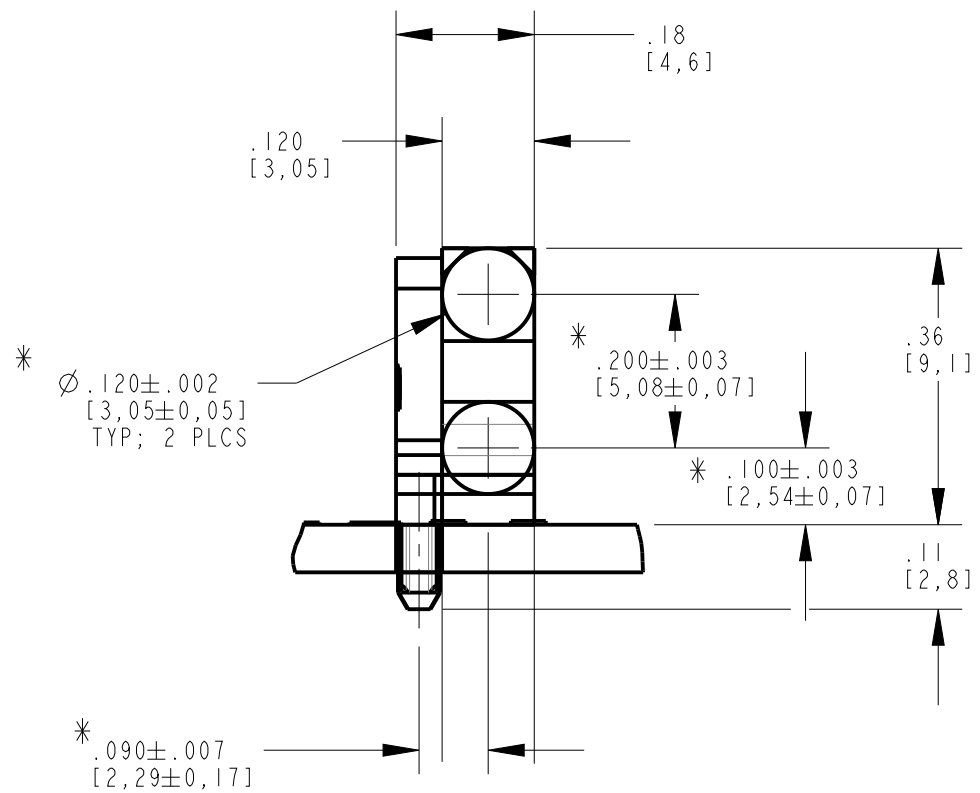
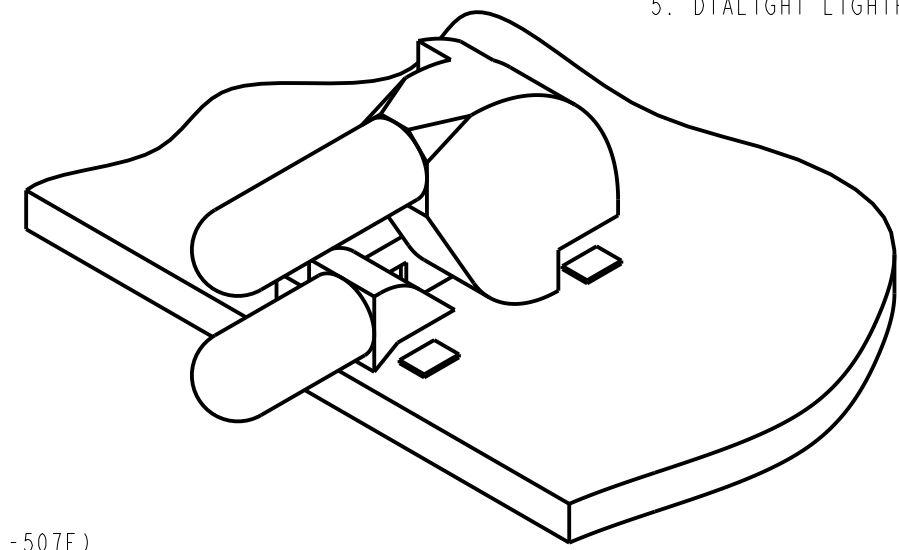


REV	ECN NO	REVISIONS	DRN	CKD	APP	QA	CM	DATE
A	97784	NEW RELEASE	LD		CS			09-22-22



* DENOTES CRITICAL DIMENSION OR SPECIFICATION


- NOTES:
1. COMPONENT TO BE MOLDED IN A CLEAR TRANSMISSIVE POLYCARBONATE.
 2. COMPONENT DESIGNED TO BE PRESSED INTO P.C. BOARD.
 3. MINIMUM ALLOWABLE PITCH IS .200 FOR EITHER BI-COLOR OR SINGLE.
 4. LIGHTSOURCES: SMT LED (DIALIGHT PART NUMBERS: 597-3XXI-5XXF OR 597-77XI-5XXF).
 5. DIALIGHT LIGHTPIPE PART NUMBER: 515-1114F.



BICOLOR PADS (P/N: 597-77XI-507F)

SOLDER PAD/HOLES LAYOUT

SINGLE COLOR PADS (P/N: 597-3XXI-507F)

THIS DRAWING AND THE CONTENTS HEREIN ARE CONFIDENTIAL AND THE SOLE PROPERTY OF DIALIGHT CORP. REPRODUCTION OF THIS DRAWING OR CONSTRUCTION OF ANY PARTS WITHIN THIS DRAWING ARE FORBIDDEN WITHOUT THE WRITTEN CONSENT OF DIALIGHT CORP.		
DIALIGHT CORP. INTERNAL REFERENCE ONLY = 3D MODEL : 1114.CON-A.2		
SCALE: 4.000	DRAWING NUMBER	REV
ALL DIM'S: INCH (mm)	C-18612	A
TOLERANCES: UNLESS OTHERWISE SPECIFIED	TITLE	
FRACTIONS: ±1/64	BI-LEVEL LIGHTPIPE (EXTENDED)	
DECIMALS (.XX): ±.01	MATERIAL	
DECIMALS (.XXX): ±.005		
DECIMALS (.XXXX): ±.0005		
ANGLES: ±1°		
FINISH		
FSCM 83330	 1501 ROUTE 34 SOUTH FARMINGDALE, NJ 07727 (732) 919-3119 www.dialight.com	
SHEET 1 OF 1	FAMILY TABLE:	