



## Customer Product/Process Change Notification

PCN # 111544  
Issued Date: 08-Dec-23  
Issued By: Jason Yost  
Author: Jason Yost

Change affects whole product family?

Part #'s affected (See attached if entire product family is affected)

Reference Affected Part Numbers Sheet

Description of Change:

Red resin change

Reason for Change:

Old resin is going EOL. Moving to an alternate material.

Properties of Old vs. Changed Product:

New resin is slightly darker than existing. Otherwise, no other change.

Disposition of Old Product:

N/A

Expected Implementation Date: until material depleted - can support immediate backlog  
Customer Feedback Expected by: N/A

Additional Comments: (Include Potential Risks if Appropriate)

Supporting Qualification Data:

Attached as necessary

Old Resin Example



New Resin Example

**Affected Part Numbers**

PCN # 111544

Part Numbers Affected by the change.	
<u>Part Number</u>	<u>Description</u>
0170931200	
0170931300	
0170991200	
0520991	
0520991	
0520991	
0520991003	
0520991003	
0530991	
0850841300	
0910931	
0910931	
0950931	
0950931	
0950931	
0950931003	
0950931003	
0950931003	
0950931003	
0950931003	
1300931003	
1300931003	
1320991	
1320991	
1351431	
1351431	
1351431	
1351431003	
1351431003	
1370931	
1370931	
1370931	
1370931	
1370931003	
1371531	
1810931003	
1810931003	

If Applicable

New Part Number      Description

**Mechanical Changes**

PCN # 111544

Insert drawings of both the current and the new product.- on this sheet	
Reference 900000180705 tab for old part	
Reference 900000180707 tab for new part	

P/N: 2100137093100  
 Desc: CAP MF 9--180705 'SYS OP'MB 3  
 Dwg Rev: REV D

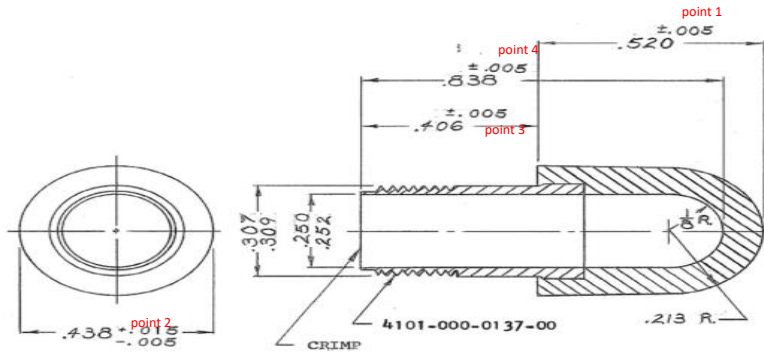
Sample Qty: 6 (20) MC 2  
 Date Insp: October 27, 2023  
 Inspector: Elamarian

Measuring Tool: CALIPER + VMS  
 Cal. Due: 28/04/23, 22/09/23

Print ID No.	Dimension Characteristics	Cavity No. / Sample No.								
		1	2	3	4	5	6	7	8	9
1	0.520 ± .005	0.522	0.521	0.521	0.522	0.522	0.521			
2	0.438 ± 0.005 / 0.015	0.443	0.446	0.445	0.445	0.446	0.447			
3	0.406 ± 0.005	0.404	0.405	0.405	0.405	0.404	0.404			
4	0.838 ± 0.005	0.842	0.843	0.843	0.842	0.842	0.842			
5	COLOUR	Red Transparent	Red Transparent	Red Transparent	Red Transparent	Red Transparent	Red Transparent			
6	VISUAL	OK	OK	OK	OK	OK	OK			
7	Resin: 9000000180705	OK	OK	OK	OK	OK	OK			
	Butyrate 264A -40182 H Red Transparent									

DIALIGHT P/N	EASTMAN COLOR #
2100-137-0931-00	41647
2100-137-0933-00	41682
2100-137-0935-00	41648
2100-137-0936-00	41683
2100-137-0937-00	37261

REV	ECN NO	REVISIONS	DRN	CRD	APP	QA	CM	DATE
D	47123	UPDATED TOLERANCE ON 438 DIMENSION. TOLERANCE WAS ±.005. ALSO UPDATED DRAWING.	SP	RR	SK	YS	JM	8-30-17



- NOTES:
- CONVERSION # 1378-93X CAP
  - ALL WHITE AND CRISTAL ITEMS MUST BE MOLED OF 100% VIRGIN MATERIAL; ALL OTHER COLORS, MINIMUM 50% VIRGIN MATERIAL
  - CRIMP AS PER DIALCO E.S. MC-1030.

SCALE	DATE	REV
AS SHOWN UNLESS OTHERWISE SPECIFIED		
ALL DIMS. IN INCHES		
UNLESS OTHERWISE SPECIFIED		
FRACTIONAL DECIMALS	2100-137-093X-XX	D
TITLE		
MATERIAL	RESIN: BUTYRATE	
	FORMULA: 264A, H, 401	
	<b>Dialight</b>	
FORM 83330		

P/N: 2100137093100  
 Desc: CAP MF 9--180705 \*SYS OP\*MB 3  
 Dwg Rev: REV D

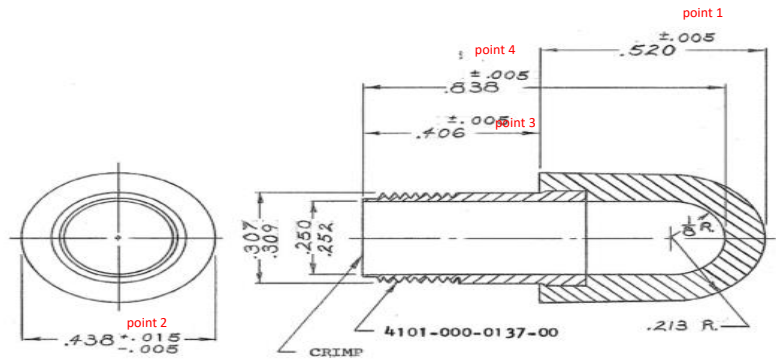
Sample Qty: 6 (20) MC 2  
 Date Insp: October 27, 2023  
 Inspector: Elamran

Measuring Tool: CALIPER + VMS  
 Cal. Due: 26/04/23, 22/09/23

Print ID No.	Dimension Characteristics	Cavity No. / Sample No.								
		1	2	3	4	5	6	7	8	9
1	0.520 ± .005	0.523	0.524	0.523	0.523	0.523	0.524			
2	0.438 ± 0.005 / 0.015	0.447	0.448	0.448	0.447	0.448	0.448			
3	0.406 ± 0.005	0.407	0.408	0.408	0.408	0.408	0.408			
4	0.838 ± 0.005	0.84	0.841	0.841	0.842	0.84	0.841			
5	COLOUR	Red Transparent	Red Transparent	Red Transparent	Red Transparent	Red Transparent	Red Transparent			
6	VISUAL	OK	OK	OK	OK	OK	OK			
7	Resin: 9000000180707	OK	OK	OK	OK	OK	OK			
	Butyrate 264A - 42533 H Red Transparent									

DIALIGHT P/N	EASTMAN COLOR #
2100-137-0931-00	#1847
2100-137-0933-00	#1848
2100-137-0935-00	#1848
2100-137-0936-00	#1848
2100-137-0937-00	#1848

REV	ECN NO	REVISIONS	DWN	CKD	APP	QA	CM	DATE
D	47123	UPDATED TOLERANCE ON .438 DIMENSION. TOLERANCE WAS 0.005. ALSO UPDATED DRAWING #	DP	NR	SK	YS	JM	8-30-17



- NOTES:
- CONVERSION # 1370-93X CAP
  - ALL WHITE AND CRYSTAL ITEMS MUST BE MOLDED OF 100% VIRGIN MATERIAL. ALL OTHER COLORS. MINIMUM 50% VIRGIN MATERIAL
  - CRIMP AS PER DIALCO E.S. MC-1030.

THIS DRAWING AND THE CONTENTS HEREIN ARE CONFIDENTIAL AND THE SOLE PROPERTY OF DIALIGHT, INC. REPRODUCTION OR THELAWLESS CONSTRUCTION OF ANY PART OF THIS DRAWING OR THE CONTENTS HEREIN WITHOUT THE WRITTEN CONSENT OF DIALIGHT, INC. IS STRICTLY PROHIBITED.

SCALE: DRAWING SCALE	DRAWING NUMBER	REV
1:1	2100-137-093X-XX	D
DATE: 10/27/23	TITLE	
DESIGNED BY: J. J. J.	DESIGNED BY: J. J. J.	
DRAWN BY: J. J. J.	DRAWN BY: J. J. J.	
CHECKED BY: J. J. J.	CHECKED BY: J. J. J.	
APPROVED BY: J. J. J.	APPROVED BY: J. J. J.	
FSCM 83330		

**Key Dates**

Effective Date:	02-11-2023
Last Time Buy Date:	N/A
Sample Availability Date:	N/A
Literature Updated:	N/A

Comments