



# Product Change Notification

PCN # 106661

Issued Date: 6/23/2023

Issued By: Cheryl Santiago

Author: Cheryl Santiago

Change affects whole product family? No

**Part #'s affected (See attached if entire product family is affected)**

See attached Affected Part Number Sheet

**Description of Change:**

Replace outdated parts with the newest technologies and improved production techniques.

**Reason for Change:**

Old LED die is discontinued or older technology used on parts that have no demand in recent years.

**Properties of Old vs. Changed Product:**

See Comparison sheets

**Disposition of Old Product:**

Deplete existing Stock on hand.

Expected Implementation Date: For orders placed after 7/7/2023 Last Time Buy Date: 21-Jul-23

Customer Feedback Expected by: Not Applicable

**Additional Comments: (Include Potential Risks if Appropriate)**

**Supporting Qualification Data:**

When Available upon request only.

**Approved By:**

(Minimum of three approvals are required.)

Vice President of Operations: \_\_\_\_\_

Vice President of Sales OED/Signals: \_\_\_\_\_

Director of Customer Service: \_\_\_\_\_

Vice President of Marketing: \_\_\_\_\_

Director of Quality: \_\_\_\_\_

NOTE: Expected Implementation date and Last Time Buy Date are estimated based on existing materials and consumption rates. Subject to change.

<b>Current part #</b>	<b>New part #</b>
5973222402F	5973222402NF
5973222407F	5973222407NF
5975004402F	5975004402NF
5975004407F	5975004407NF
5972002402NF	5972002602F
5972002407NF	5972002607F

## LED COMPARISON TABLE

P/N #1	PARAMETER	597-2002-402NF/-407NF Old Die				597-2002-602F/-607F New Die			
PARAMETERS		OPERATING CHARACTERISTICS @ 25° AMBIENT				OPERATING CHARACTERISTICS @ 25° AMBIENT			
		If	MIN	TYP	MAX	If	MIN	TYP	MAX
	LUMINOUS INTENSITY (mcd)	20mA	25	50		20mA	71	125	180
	FORWARD VOLTAGE (V)	20mA		1.9	2.4	20mA		2.0	2.4
	DOMINANT WAVELENGTH (nm)			626				631	
	VIEWING ANGLE 2 $\theta$ 1/2 (deg)	130				130			
	REVERSE CURRENT (uA)	100uA (Vr=5V)				10uA (Vr=5V)			
RATING / CHARACTERISTICS		ABSOLUTE MAXIMUM RATINGS @ TA=25° C				ABSOLUTE MAXIMUM RATINGS @ TA=25° C			
	POWER DISSIPATION (mW)	81				75			
	PEAK PULSE FORWARD CURRENT(mA)	100				80			
	CONTINUOUS FORWARD CURRENT (mA)	30				30			
	REVERSE VOLTAGE	5V				5V			
	OPERATING TEMP. RANGE (°C)	-40C to +85C				-55C to +85C			
	STORAGE TEMP. RANGE (°C)	-40C to +100C				-55C to +85C			
LEAD Reflow SOLDERING TEMP. (°C)	260 °C for 5 seconds				260 °C for 5 seconds				
PART SPEC / DIMENSION	Package Size	3.0 x 1.0 x 2.0mm Right Angle				3.0 x 1.0 x 2.0mm Right Angle			
	LED EMITTING COLOR	Red				Red			
	LED EPOXY COLOR	Water Clear				Water Clear			
	LED LEADS	SMD				SMD			
	LED DIE TECHNOLOGY	AlInGaP				AlInGaP			
	MOISTURE SENSITIVITY LEVEL	3				3			
	Packaging	3000 pcs / Reel				3000 pcs / Reel			
P/N #2	PARAMETER	597-2212-402NF/-407NF Old Die				597-2211-602F/-607F New Die			
PARAMETERS		OPERATING CHARACTERISTICS @ 25° AMBIENT				OPERATING CHARACTERISTICS @ 25° AMBIENT			
		If	MIN	TYP	MAX	If	MIN	TYP	MAX
	LUMINOUS INTENSITY (mcd)	20mA	68	150		20mA	71	125	180
	FORWARD VOLTAGE (V)	20mA		1.9	2.4	20mA		2.0	2.4
	DOMINANT WAVELENGTH (nm)		609					605	
	VIEWING ANGLE 2 $\theta$ 1/2 (deg)	130				130			
	REVERSE CURRENT (uA)	100uA (Vr=5V)				10uA (Vr=5V)			
RATING / CHARACTERISTICS		ABSOLUTE MAXIMUM RATINGS @ TA=25° C				ABSOLUTE MAXIMUM RATINGS @ TA=25° C			
	POWER DISSIPATION (mW)	81				75			
	PEAK PULSE FORWARD CURRENT(mA)	100				80			
	CONTINUOUS FORWARD CURRENT (mA)	30				30			
	REVERSE VOLTAGE	5V				5V			
	OPERATING TEMP. RANGE (C°)	-40C to +85C				-55C to +85C			
	STORAGE TEMP. RANGE (C°)	-40C to +100C				-55C to +85C			
LEAD Reflow SOLDERING TEMP. (C°)	260 °C for 5 seconds				260 °C for 5 seconds				
PART SPEC / DIMENSION	Package Size	3.0 x 1.0 x 2.0mm Right Angle				3.0 x 1.0 x 2.0mm Right Angle			
	LED EMITTING COLOR	Orange				Orange			
	LED EPOXY COLOR	Water Clear				Water Clear			
	LED LEADS	SMD				SMD			
	LED DIE TECHNOLOGY	AlInGaP				AlInGaP			
	MOISTURE SENSITIVITY LEVEL	3				3			
	Packaging	3000 pcs / Reel				3000 pcs / Reel			
P/N #3	PARAMETER	597-2311-402F/-407F Old Die				597-2501-602F/-607F New Die			
PARAMETERS		OPERATING CHARACTERISTICS @ 25° AMBIENT				OPERATING CHARACTERISTICS @ 25° AMBIENT			
		If	MIN	TYP	MAX	If	MIN	TYP	MAX
	LUMINOUS INTENSITY (mcd)	20mA	2.6	5.2		20mA	28	50	71
	FORWARD VOLTAGE (V)	20mA		2.1	2.8	20mA		2.0	2.4
	DOMINANT WAVELENGTH (nm)			567				572	
	VIEWING ANGLE 2 $\theta$ 1/2 (deg)	130				130			
	REVERSE CURRENT (uA)	100uA (Vr=4V)				10uA (Vr=5V)			
RATING / CHARACTERISTICS		ABSOLUTE MAXIMUM RATINGS @ TA=25° C				ABSOLUTE MAXIMUM RATINGS @ TA=25° C			
	POWER DISSIPATION (mW)	70				75			
	PEAK PULSE FORWARD CURRENT(mA)	60				80			
	CONTINUOUS FORWARD CURRENT (mA)	25				30			
	REVERSE VOLTAGE	4V				5V			
	OPERATING TEMP. RANGE (C°)	-40C to +85C				-55C to +85C			
	STORAGE TEMP. RANGE (C°)	-40C to +100C				-55C to +85C			

PART SPEC / DIMENSION	LEAD Reflow SOLDERING TEMP. (C°)	260 °C for 5 seconds	260 °C for 5 seconds
	Package Size	3.0 x 1.0 x 2.0mm Right Angle	3.0 x 1.0 x 2.0mm Right Angle
	LED EMITTING COLOR	Green	Green
	LED EPOXY COLOR	Water Clear	Water Clear
	LED LEADS	SMD	SMD
	LED DIE TECHNOLOGY	GaP	AllnGaP
	MOISTURE SENSITIVITY LEVEL	3	3
Packaging	3000 pcs / Reel	3000 pcs / Reel	

PARAMETERS	P/N #4	597-2222-402F/407F Old Die				597-2222-602F/607F New Die			
		OPERATING CHARACTERISTICS @ 25° AMBIENT				OPERATING CHARACTERISTICS @ 25° AMBIENT			
		If	MIN	TYP	MAX	If	MIN	TYP	MAX
	LUMINOUS INTENSITY (mcd)	20mA	25	65		20mA	71	125	180
	FORWARD VOLTAGE (V)	20mA		1.9	2.4	20mA	1.8	2.0	2.4
	DOMINANT WAVELENGTH (nm)			590				589	
	VIEWING ANGLE 2ø1/2 (deg)	130				130			
REVERSE CURRENT (uA)	100uA (Vr=5V)				10uA (Vr=5V)				

RATING / CHARACTERISTICS		ABSOLUTE MAXIMUM RATINGS @ TA=25° C				ABSOLUTE MAXIMUM RATINGS @ TA=25° C			
	POWER DISSIPATION (mW)	81				75			
	PEAK PULSE FORWARD CURRENT(mA)	100				80			
	CONTINUOUS FORWARD CURRENT (mA)	30				30			
	REVERSE VOLTAGE	5V				5V			
	OPERATING TEMP. RANGE (C°)	-40C to +85C				-55C to +85C			
	STORAGE TEMP. RANGE (C°)	-40C to +100C				-55C to +85C			
	LEAD Reflow SOLDERING TEMP. (C°)	260 °C for 5 seconds				260 °C for 5 seconds			

PART SPEC / DIMENSION	Package Size	3.0 x 1.0 x 2.0mm Right Angle	3.0 x 1.0 x 2.0mm Right Angle
	LED EMITTING COLOR	Yellow	Yellow
	LED EPOXY COLOR	Water Clear	Water Clear
	LED LEADS	SMD	SMD
	LED DIE TECHNOLOGY	AllnGaP	AllnGaP
	MOISTURE SENSITIVITY LEVEL	3	3
	Packaging	3000 pcs / Reel	3000 pcs / Reel

**Old Package Drawing**

**LED SCHEMATIC**

PIN 2 — ( ) — PIN 1 CATHODE

**RECOMMENDED SOLDERING PAD LAYOUT**

**New Package Drawing**

**LED SCHEMATIC**

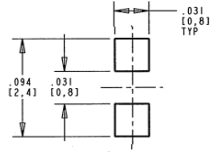
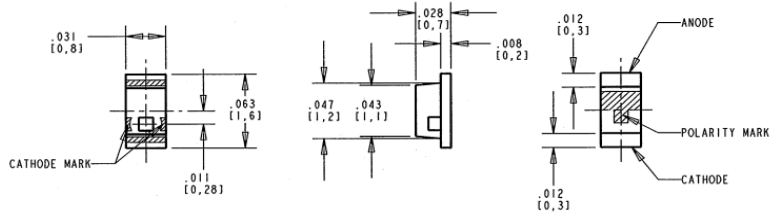
PIN 2 — ( ) — PIN 1 CATHODE

**RECOMMENDED SOLDERING PAD LAYOUT**

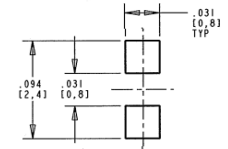
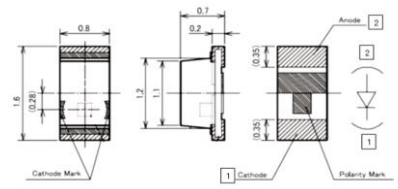
## LED COMPARISON TABLE

P/N #1	PARAMETER	597-5004-402F/-407F Old Die				597-5004-402NF/-407NF New Die			
PARAMETERS		OPERATING CHARACTERISTICS @ 25° AMBIENT				OPERATING CHARACTERISTICS @ 25° AMBIENT			
		If	MIN	TYP	MAX	If	MIN	TYP	MAX
	LUMINOUS INTENSITY (mcd)	20mA	25	50		20mA	68	91	120
	FORWARD VOLTAGE (V)	20mA		1.9	2.4	20mA		1.9	2.4
	DOMINANT WAVELENGTH (nm)			626				626	
	VIEWING ANGLE 2 $\theta$ 1/2 (deg)	152				140			
	REVERSE CURRENT (uA)	100uA (Vr=5V)				10uA (Vr=5V)			
RATING / CHARACTERISTICS		ABSOLUTE MAXIMUM RATINGS @ TA=25° C				ABSOLUTE MAXIMUM RATINGS @ TA=25° C			
	POWER DISSIPATION (mW)	81				78			
	PEAK PULSE FORWARD CURRENT(mA)	100				100			
	CONTINUOUS FORWARD CURRENT (mA)	30				30			
	REVERSE VOLTAGE	5V				5V			
	OPERATING TEMP. RANGE (C°)	-40C to +85C				-40C to +100C			
	STORAGE TEMP. RANGE (C°)	-40C to +100C				-40C to +105C			
	LEAD Reflow SOLDERING TEMP. (C°)	260 °C for 5 seconds				260 °C for 5 seconds			
PART SPEC / DIMENSION	Package Size	1.6 x 0.8 x 0.7mm (0603)				1.6 x 0.8 x 0.7mm (0603)			
	LED EMITTING COLOR	Red				Red			
	LED EPOXY COLOR	White Diffused				White Diffused			
	LED LEADS	SMD				SMD			
	LED DIE TECHNOLOGY	AlInGaP				AlInGaP			
	MOISTURE SENSITIVITY LEVEL	3				3			
	Packaging	4000 pcs / Reel				4000 pcs / Reel			
P/N #2	PARAMETER	597-5213-402F/-407F Old Die				597-5213-402NF/-407NF New Die			
PARAMETERS		OPERATING CHARACTERISTICS @ 25° AMBIENT				OPERATING CHARACTERISTICS @ 25° AMBIENT			
		If	MIN	TYP	MAX	If	MIN	TYP	MAX
	LUMINOUS INTENSITY (mcd)	20mA	25	65		20mA	82	110	150
	FORWARD VOLTAGE (V)	20mA		1.9	2.4	20mA		1.9	2.4
	DOMINANT WAVELENGTH (nm)			605				605	
	VIEWING ANGLE 2 $\theta$ 1/2 (deg)	152				140			
	REVERSE CURRENT (uA)	100uA (Vr=5V)				10uA (Vr=5V)			
RATING / CHARACTERISTICS		ABSOLUTE MAXIMUM RATINGS @ TA=25° C				ABSOLUTE MAXIMUM RATINGS @ TA=25° C			
	POWER DISSIPATION (mW)	81				78			
	PEAK PULSE FORWARD CURRENT(mA)	100				100			
	CONTINUOUS FORWARD CURRENT (mA)	30				30			
	REVERSE VOLTAGE	5V				5V			
	OPERATING TEMP. RANGE (C°)	-40C to +85C				-40C to +100C			
	STORAGE TEMP. RANGE (C°)	-40C to +100C				-40C to +105C			
	LEAD Reflow SOLDERING TEMP. (C°)	260 °C for 5 seconds				260 °C for 5 seconds			
PART SPEC / DIMENSION	Package Size	1.6 x 0.8 x 0.7mm (0603)				1.6 x 0.8 x 0.7mm (0603)			
	LED EMITTING COLOR	Orange				Orange			
	LED EPOXY COLOR	White Diffused				White Diffused			
	LED LEADS	SMD				SMD			
	LED DIE TECHNOLOGY	AlInGaP				AlInGaP			
	MOISTURE SENSITIVITY LEVEL	3				3			
	Packaging	4000 pcs / Reel				4000 pcs / Reel			
P/N #3	PARAMETER	597-5223-402F/-407F Old Die				597-5223-402NF/-407NF New Die			
PARAMETERS		OPERATING CHARACTERISTICS @ 25° AMBIENT				OPERATING CHARACTERISTICS @ 25° AMBIENT			
		If	MIN	TYP	MAX	If	MIN	TYP	MAX
	LUMINOUS INTENSITY (mcd)	20mA	25	65		20mA	56	75	100
	FORWARD VOLTAGE (V)	20mA		1.9	2.4	20mA		1.9	2.4
	DOMINANT WAVELENGTH (nm)			590				590	
	VIEWING ANGLE 2 $\theta$ 1/2 (deg)	152				140			
	REVERSE CURRENT (uA)	100uA (Vr=5V)				10uA (Vr=5V)			
RATING / CHARACTERISTICS		ABSOLUTE MAXIMUM RATINGS @ TA=25° C				ABSOLUTE MAXIMUM RATINGS @ TA=25° C			
	POWER DISSIPATION (mW)	81				78			
	PEAK PULSE FORWARD CURRENT(mA)	100				100			
	CONTINUOUS FORWARD CURRENT (mA)	30				30			
	REVERSE VOLTAGE	5V				5V			
	OPERATING TEMP. RANGE (C°)	-40C to +85C				-40C to +100C			
	STORAGE TEMP. RANGE (C°)	-40C to +100C				-40C to +105C			
	LEAD Reflow SOLDERING TEMP. (C°)	260 °C for 5 seconds				260 °C for 5 seconds			

PART SPEC / DIMENSION	Package Size	1.6 x 0.8 x 0.7mm (0603)				1.6 x 0.8 x 0.7mm (0603)			
	LED EMITTING COLOR	Yellow				Yellow			
	LED EPOXY COLOR	White Diffused				White Diffused			
	LED LEADS	SMD				SMD			
	LED DIE TECHNOLOGY	AlInGaP				AlGaInP			
	MOISTURE SENSITIVITY LEVEL	3				3			
	Packaging	4000 pcs / Reel				4000 pcs / Reel			
P/N #4	PARAMETER	597-5412-402F/-407F Old Die				597-5412-402NF/-407NF New Die			
PARAMETERS		OPERATING CHARACTERISTICS @ 25° AMBIENT				OPERATING CHARACTERISTICS @ 25° AMBIENT			
		If	MIN	TYP	MAX	If	MIN	TYP	MAX
	LUMINOUS INTENSITY (mcd)	20mA	7	11.7		20mA	33	43	56
	FORWARD VOLTAGE (V)	20mA		2.1	2.8	20mA		1.9	2.4
	DOMINANT WAVELENGTH (nm)			572				572	
	VIEWING ANGLE 2θ1/2 (deg)	152				140			
	REVERSE CURRENT (uA)	100uA (Vr=4V)				10uA (Vr=5V)			
RATING / CHARACTERISTICS		ABSOLUTE MAXIMUM RATINGS @ TA=25° C				ABSOLUTE MAXIMUM RATINGS @ TA=25° C			
	POWER DISSIPATION (mW)	70				78			
	PEAK PULSE FORWARD CURRENT(mA)	60				100			
	CONTINUOUS FORWARD CURRENT (mA)	25				30			
	REVERSE VOLTAGE	4V				5V			
	OPERATING TEMP. RANGE (C°)	-30C to +85C				-40C to +100C			
	STORAGE TEMP. RANGE (C°)	-40C to +100C				-40C to +105C			
LEAD Reflow SOLDERING TEMP. (C°)	260 °C for 5 seconds				260 °C for 5 seconds				
PART SPEC / DIMENSION	Package Size	1.6 x 0.8 x 0.7mm (0603)				1.6 x 0.8 x 0.7mm (0603)			
	LED EMITTING COLOR	Yellow-Green				Yellow-Green			
	LED EPOXY COLOR	White Diffused				White Diffused			
	LED LEADS	SMD				SMD			
	LED DIE TECHNOLOGY	GaP				AlGaInP			
	MOISTURE SENSITIVITY LEVEL	3				3			
	Packaging	4000 pcs / Reel				4000 pcs / Reel			
P/N #5	PARAMETER	597-5312-402NF/-407NF Old Die				598-8070-102F/-107F New Die			
PARAMETERS		OPERATING CHARACTERISTICS @ 25° AMBIENT				OPERATING CHARACTERISTICS @ 25° AMBIENT			
		If	MIN	TYP	MAX	If	MIN	TYP	MAX
	LUMINOUS INTENSITY (mcd)	20mA	4.5		15.1	20mA	12	28	43
	FORWARD VOLTAGE (V)	20mA		2.1	2.8	20mA	1.8	2.1	2.4
	DOMINANT WAVELENGTH (nm)		565	567	572		562	566	570
	VIEWING ANGLE 2θ1/2 (deg)	152				140			
	REVERSE CURRENT (uA)	100uA (Vr=4V)				10uA (Vr=5V)			
RATING / CHARACTERISTICS		ABSOLUTE MAXIMUM RATINGS @ TA=25° C				ABSOLUTE MAXIMUM RATINGS @ TA=25° C			
	POWER DISSIPATION (mW)	84				72			
	PEAK PULSE FORWARD CURRENT(mA)	70				60			
	CONTINUOUS FORWARD CURRENT (mA)	30				30			
	REVERSE VOLTAGE	4V				5V			
	OPERATING TEMP. RANGE (C°)	-40C to +100C				-40C to +100C			
	STORAGE TEMP. RANGE (C°)	-40C to +120C				-40C to +100C			
LEAD Reflow SOLDERING TEMP. (C°)	260 °C for 5 seconds				260 °C for 5 seconds				
PART SPEC / DIMENSION	Package Size	1.6 x 0.8 x 0.7mm (0603)				1.6 x 0.8 x 0.7mm (0603)			
	LED EMITTING COLOR	Green				Green			
	LED EPOXY COLOR	Clear Diffused				Water Clear			
	LED LEADS	SMD				SMD			
	LED DIE TECHNOLOGY	GaP				AlInGaP			
	MOISTURE SENSITIVITY LEVEL	3				3			
	Packaging	4000 pcs / Reel				4000 pcs / Reel			
OLD DRAWING					NEW DRAWING				



SOLDER PAD LAYOUT



SOLDER PAD LAYOUT

## LED COMPARISON TABLE

P/N #1	PARAMETER	597-3222-402F/-407F Old Die				597-3222-402NF/-407NF New Die			
PARAMETERS		OPERATING CHARACTERISTICS @ 25° AMBIENT				OPERATING CHARACTERISTICS @ 25° AMBIENT			
		If	MIN	TYP	MAX	If	MIN	TYP	MAX
	LUMINOUS INTENSITY (mcd)	20mA	25	65	105	20mA	68	91	120
	FORWARD VOLTAGE (V)	20mA		1.9	2.4	20mA		1.9	2.4
	DOMINANT WAVELENGTH (nm)			590				590	
	VIEWING ANGLE 2θ1/2 (deg)	150				140			
	REVERSE CURRENT (uA)	100uA (Vr=5V)				10uA (Vr=5V)			
RATING / CHARACTERISTICS		ABSOLUTE MAXIMUM RATINGS @ TA=25° C				ABSOLUTE MAXIMUM RATINGS @ TA=25° C			
	POWER DISSIPATION (mW)	81				78			
	PEAK PULSE FORWARD CURRENT(mA)	100				100			
	CONTINUOUS FORWARD CURRENT (mA)	30				30			
	REVERSE VOLTAGE	5V				5V			
	OPERATING TEMP. RANGE (C°)	-40C to +85C				-40C to +100C			
	STORAGE TEMP. RANGE (C°)	-40C to +100C				-40C to +105C			
LEAD Reflow SOLDERING TEMP. (C°)	260 °C for 5 seconds				260 °C for 5 seconds				
PART SPEC / DIMENSION	Package Size	2.0 x 1.25 x 0.8mm (0805)				2.0 x 1.25 x 0.8mm (0805)			
	LED EMITTING COLOR	Yellow				Yellow			
	LED EPOXY COLOR	White Diffused				White Diffused			
	LED LEADS	SMD				SMD			
	LED DIE TECHNOLOGY	AllnGaP				AlGaInP			
	MOISTURE SENSITIVITY LEVEL	3				3			
	Packaging	4000 pcs / Reel				4000 pcs / Reel			
P/N #2	PARAMETER	597-3003-402F/-407F Old Die				597-3003-402NF/407NF New Die			
PARAMETERS		OPERATING CHARACTERISTICS @ 25° AMBIENT				OPERATING CHARACTERISTICS @ 25° AMBIENT			
		If	MIN	TYP	MAX	If	MIN	TYP	MAX
	LUMINOUS INTENSITY (mcd)	20mA	25	50	75	20mA	68	91	120
	FORWARD VOLTAGE (V)	20mA		1.9	2.4	20mA		1.9	2.4
	DOMINANT WAVELENGTH (nm)			626				626	
	VIEWING ANGLE 2θ1/2 (deg)	150				140			
	REVERSE CURRENT (uA)	100uA (Vr=5V)				10uA (Vr=5V)			
RATING / CHARACTERISTICS		ABSOLUTE MAXIMUM RATINGS @ TA=25° C				ABSOLUTE MAXIMUM RATINGS @ TA=25° C			
	POWER DISSIPATION (mW)	81				78			
	PEAK PULSE FORWARD CURRENT(mA)	100				100			
	CONTINUOUS FORWARD CURRENT (mA)	30				30			
	REVERSE VOLTAGE	5V				5V			
	OPERATING TEMP. RANGE (C°)	-40C to +85C				-40C to +100C			
	STORAGE TEMP. RANGE (C°)	-40C to +100C				-40C to +105C			
LEAD Reflow SOLDERING TEMP. (C°)	260 °C for 5 seconds				260 °C for 5 seconds				
PART SPEC / DIMENSION	Package Size	2.0 x 1.25 x 0.8mm (0805)				2.0 x 1.25 x 0.8mm (0805)			
	LED EMITTING COLOR	Red				Red			
	LED EPOXY COLOR	White Diffused				White Diffused			
	LED LEADS	SMD				SMD			
	LED DIE TECHNOLOGY	AllnGaP				AlGaInP			
	MOISTURE SENSITIVITY LEVEL	3				3			
	Packaging	4000 pcs / Reel				4000 pcs / Reel			
P/N #3	PARAMETER	597-5311-402F/-407F Old Die				597-5311-402NF/-407NF New Die			
PARAMETERS		OPERATING CHARACTERISTICS @ 25° AMBIENT				OPERATING CHARACTERISTICS @ 25° AMBIENT			
		If	MIN	TYP	MAX	If	MIN	TYP	MAX
	LUMINOUS INTENSITY (mcd)	20mA	3.8	6.4	9	20mA	10		22
	FORWARD VOLTAGE (V)	20mA		2.1	2.8	20mA		1.9	2.4
	DOMINANT WAVELENGTH (nm)			567				562	
	VIEWING ANGLE 2θ1/2 (deg)	150				140			
	REVERSE CURRENT (uA)	100uA (Vr=4V)				10uA (Vr=5V)			
RATING / CHARACTERISTICS		ABSOLUTE MAXIMUM RATINGS @ TA=25° C				ABSOLUTE MAXIMUM RATINGS @ TA=25° C			
	POWER DISSIPATION (mW)	70				78			
	PEAK PULSE FORWARD CURRENT(mA)	60				100			
	CONTINUOUS FORWARD CURRENT (mA)	25				30			
	REVERSE VOLTAGE	4V				5V			
	OPERATING TEMP. RANGE (C°)	-30C to +85C				-40C to +100C			
	STORAGE TEMP. RANGE (C°)	-40C to +100C				-40C to +105C			
LEAD Reflow SOLDERING TEMP. (C°)	260 °C for 5 seconds				260 °C for 5 seconds				



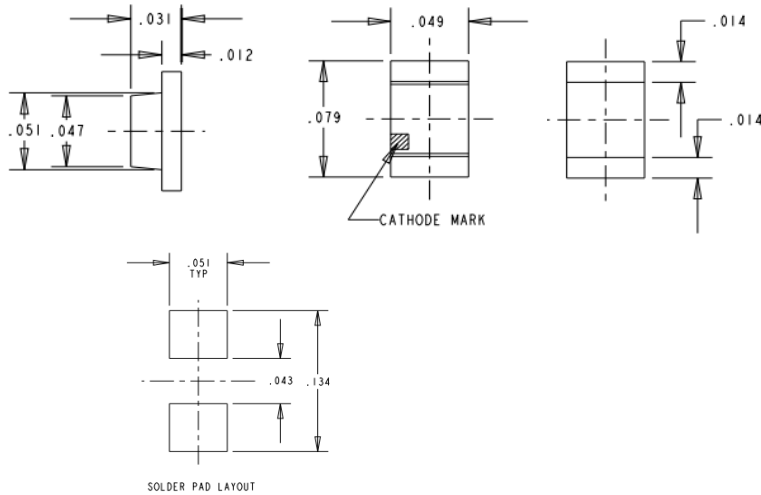
<b>PART SPEC / DIMENSION</b>	Package Size	2.0 x 1.25 x 0.8mm (0805)	2.0 x 1.25 x 0.8mm (0805)
	LED EMITTING COLOR	Green	Green
	LED EPOXY COLOR	White Diffused	White Diffused
	LED LEADS	SMD	SMD
	LED DIE TECHNOLOGY	GaP	AlGaInP
	MOISTURE SENSITIVITY LEVEL	3	3
Packaging	4000 pcs / Reel	4000 pcs / Reel	

<b>P/N #4</b>	<b>PARAMETER</b>	<b>597-5411-402F/407F Old Die</b>				<b>597-5411-402NF/407NF New Die</b>			
<b>PARAMETERS</b>		<b>OPERATING CHARACTERISTICS @ 25° AMBIENT</b>				<b>OPERATING CHARACTERISTICS @ 25° AMBIENT</b>			
		If	MIN	TYP	MAX	If	MIN	TYP	MAX
	LUMINOUS INTENSITY (mcd)	20mA	7	11.7	16.4	20mA	33	43	56
	FORWARD VOLTAGE (V)	20mA		2.1	2.8	20mA		1.9	2.4
	DOMINANT WAVELENGTH (nm)			572				572	
	VIEWING ANGLE 2θ1/2 (deg)		150			140			
REVERSE CURRENT (uA)		100uA (Vr=4V)			100uA (Vr=5V)				

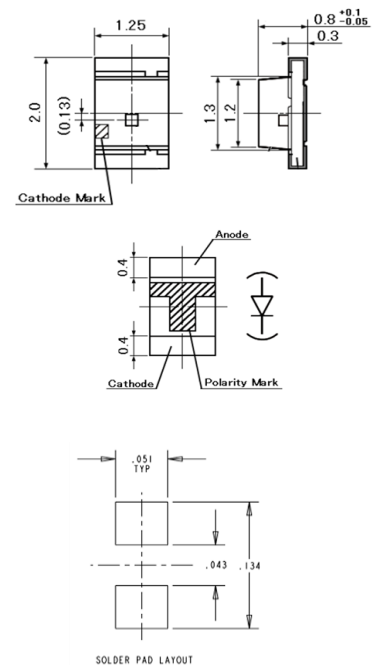
<b>RATING / CHARACTERISTICS</b>		<b>ABSOLUTE MAXIMUM RATINGS @ TA=25° C</b>		<b>ABSOLUTE MAXIMUM RATINGS @ TA=25° C</b>	
	POWER DISSIPATION (mW)	70		78	
	PEAK PULSE FORWARD CURRENT (mA)	60		100	
	CONTINUOUS FORWARD CURRENT (mA)	25		30	
	REVERSE VOLTAGE	4V		5V	
	OPERATING TEMP. RANGE (C°)	-30C to +85C		-40C to +100C	
	STORAGE TEMP. RANGE (C°)	-40C to +100C		-40C to +105C	
LEAD Reflow SOLDERING TEMP. (C°)	260 °C for 5 seconds		260 °C for 5 seconds		

<b>PART SPEC / DIMENSION</b>	Package Size	2.0 x 1.25 x 0.8mm (0805)	2.0 x 1.25 x 0.8mm (0805)
	LED EMITTING COLOR	Yellow-Green	Yellow-Green
	LED EPOXY COLOR	White Diffused	White Diffused
	LED LEADS	SMD	SMD
	LED DIE TECHNOLOGY	GaP	AlGaInP
	MOISTURE SENSITIVITY LEVEL	3	3
Packaging	4000 pcs / Reel	4000 pcs / Reel	

**OLD DRAWING**



**NEW DRAWING**



**AFFECTED PART NUMBERS OBSOLETE and NEW REPLACEMENT PART NUMBERS**

**597 SMD LED 1208 Right Angle, Single Color**

OBSOLETE P/N	DESCRIPTION	USE NEW P/N	DESCRIPTION
597-2002-402NF/-407NF	SMD 1208 RT ANG Red Sample Strip / 7" REEL	597-2002-602F/-607F	SMD 1208 RT ANG 630nm Red Sample Strip / 7" Reel
597-2111-402F/-407F	SMD 1208 RT ANG Red Sample Strip / 7" REEL	No Replacement	
597-2212-402NF/-407NF	SMD 1208 RT ANG Orange Sample Strip / 7" REEL	597-2211-602F/-607F	SMD 1208 RT ANG Orange Hi-Br Sample Strip / 7" Reel
597-2222-402F/-407F	SMD 1208 RT ANG Yellow Sample Strip / 7" REEL	597-2222-602F/607F	SMD 1208 RT ANG Yellow Hi-Br Sample Strip / 7" Reel
597-2311-402F/-407F	SMD 1208 RT ANG Green Sample Strip / 7" REEL	597-2501-602F/-607F	SMD 1208 RT ANG Yellow-Green Hi-Br Sample Strip / 7" Reel
597-2401-402F/-407F	SMD 1208 RT ANG Yellow Sample Strip / 7" REEL	No Replacement	

**597 SMD LED 0603, Single Color**

OBSOLETE P/N	DESCRIPTION	USE NEW P/N	DESCRIPTION
597-5112-402F/-407F	SMD LED 0603 Red Sample Strip / 7" REEL	No Replacement	
597-5203-402F/-407F	SMD LED 0603 Orange Sample Strip / 7" REEL	No Replacement	

**597 SMD LED 0805, Single Color**

OBSOLETE P/N	DESCRIPTION	USE NEW P/N	DESCRIPTION
597-5111-402F/-407F	SMD LED 0805 Red Sample Strip / 7" REEL	No Replacement	
597-5202-402F/-407F	SMD LED 0805 Orange Sample Strip / 7" REEL	No Replacement	

**AFFECTED PART NUMBERS - LED SPEC CHANGE**

**597 SMD LED 0603, Single Color**

OBSOLETE P/N	DESCRIPTION	USE NEW P/N	DESCRIPTION
597-5004-402F/-407F	SMD LED 0603 Yellow Sample Strip / 7" REEL	597-5004-402NF/-407NF	SM 0603 RED 626nm Sample Strip / 7" REEL
597-5213-402F/-407F	SMD LED 0603 Orange Sample Strip / 7" REEL	597-5213-402NF/-407NF	SM 0603 ORANGE 605nm Sample Strip / 7" REEL
597-5223-402F/-407F	SMD LED 0603 Amber Sample Strip / 7" REEL	597-5223-402NF/-407NF	SM 0603 YELLOW 590nm Sample Strip / 7" REEL
597-5312-402NF/-407NF	SMD LED 0603 Green Sample Strip / 7" REEL	598-8070-102F/107F	SM LED 0603 AINGAP GREEN Sample Strip / 7" REEL
597-5412-402F/-407F	SMD LED 0603 Yellow-Green Sample Strip / 7" REEL	597-5412-402NF/-407NF	SM 0603 YELLOW-GREEN Sample Strip / 7" REEL

**597 SMD LED 0805, Single Color**

OBSOLETE P/N	DESCRIPTION	USE NEW P/N	DESCRIPTION
597-3222-402F/-407F	SMD LED 0805 Yellow Sample Strip / 7" REEL	597-3222-402NF/-407NF	SM 0805 YELLOW 590nm Sample Strip / 7" REEL
597-3003-402F/-407F	SMD LED 0805 Red Sample Strip / 7" REEL	597-3003-402NF/-407NF	SM 0805 RED 626nm Sample Strip / 7" REEL
597-5311-402F/-407F	SMD LED 0805 Green Sample Strip / 7" REEL	597-5311-402NF/-407NF	SM 0805 YELLOW-GREEN 562nm Sample Strip / 7" REEL
597-5411-402F/-407F	SMD LED 0805 Yellow-Green Sample Strip / 7" REEL	597-5411-402NF/-407NF	SM 0805 YELLOW-GREEN 575nm Sample Strip / 7" REEL