

SOLENOID PRODUCT SPECIFICATION

PART No.	VOLTAGE	DUTY CYCLE	POWER (W)	CURRENT (A)	DCR (Ω) *
DSMS-0730-24	24 VDC	0.1%, 0.2 Sec On Max.	3.9	0.16	146
DSMS-0730-18	18 VDC	0.1%, 0.2 Sec On Max.	4.0	0.23	80
DSMS-0730-12	12 VDC	0.1%, 0.2 Sec On Max.	3.8	0.32	38
DSMS-0730-09	9 VDC	0.1%, 0.2 Sec On Max.	3.4	0.38	24
DSMS-0730-05	5 VDC	0.1%, 0.2 Sec On Max.	3.4	0.68	7.4

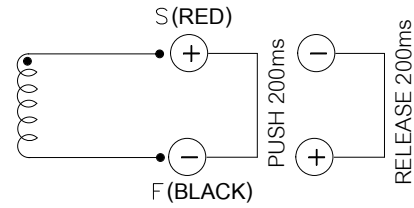
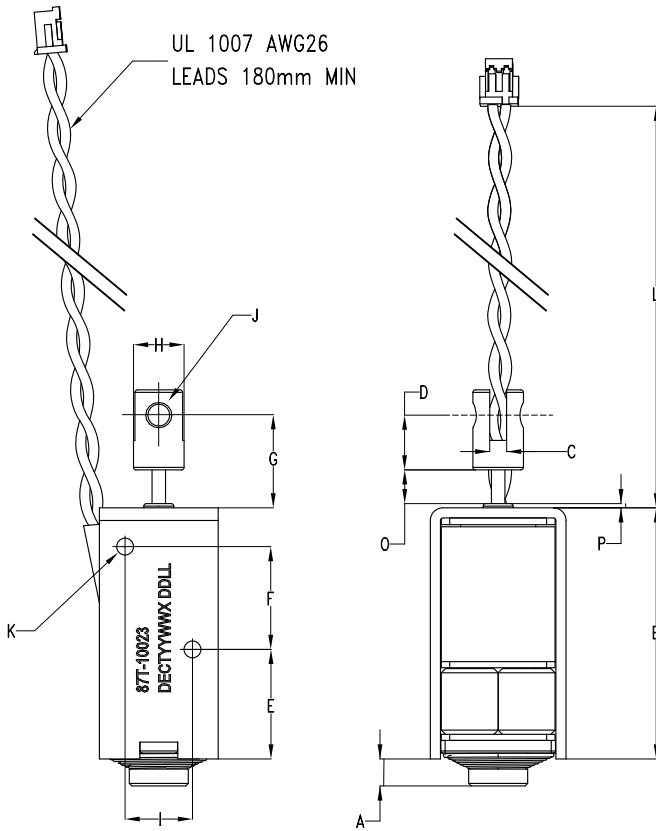
* OPERATION: POWER TO PUSH AND RELEASE, BUILT-IN RETURN SPRING.

* DCR VALUES ARE ±10% AT 25°C

* WEIGHT ARE 38 GRAMS ±10%

1. MECHANICAL DIMENSIONS :

2. SCHEMATIC AND CONSTRUCTION :

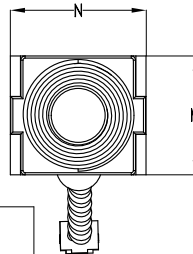


UNIT : mm.

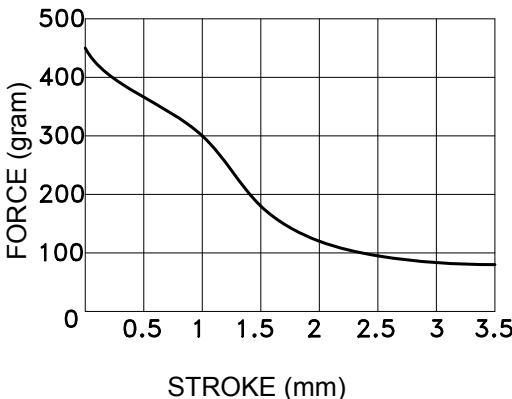
- A = 3.40 ± 0.2
 - B = 30.00 ± 0.25
 - C = 2.00 ± 0.1
 - D = 6.50 ± 0.1
 - E = 13.20 ± 0.2
 - F = 12.20 ± 0.2
 - G = 10.5 ± 0.1
 - H = ø6.0 ± 0.1
 - I = 8.00 ± 0.1
 - J = ø2.6 ± 0.1
 - K = 4-M2.6x0.45
 - L = 180 MIN.
 - M = 14.00 ± 0.2
 - N = 16.00 ± 0.2
 - O = 3.50 ± 0.1
 - P = 0.50 ± 0.1
- UNLESS TOLERANCES.

- X.X = ±0.2
- X.XX = ±0.1
- ANGLES = ±1°

EXTENT POSITION.



Connector : J.S.T
 HOUSING : ZHR-2
 CONTACT PIN : SZH-002T-P0.5
 CABLE : AWG 28 UL 1007



INSULATION MATERIALS: UL CONSTRUCTION, CLASS B 130°C
 LIFE EXPECTANCY: 100K CYCLES OPERATIONS

LAYER TEST	IR. @500 Vdc.	HI-POT
(S-F) 500Vp. MIN.	COIL TO FRAME	@50/60Hz.,2mA
TEST ONLY COIL	50 MOHM MIN.	COIL TO FRAME
		1200Vac.,1s