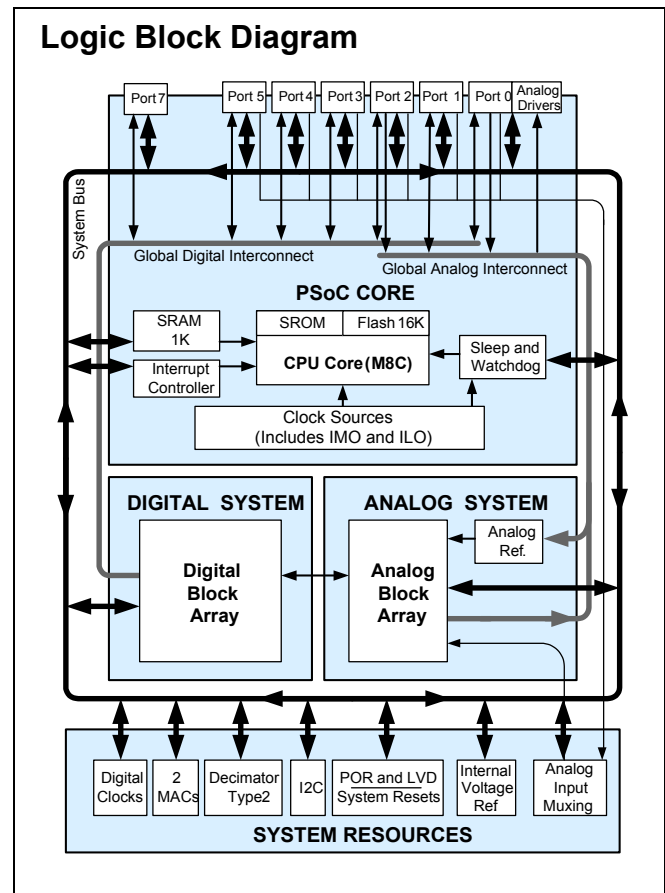


Automotive TrueTouch™ Multi-Touch Gesture Touchscreen Controller

Features

- TrueTouch™ Capacitive Touchscreen Controller
 - Supports Single-Touch and Multi-Touch Touchscreen Control
 - Supports up to 44 X/Y Sensor Inputs
 - Supports Screen Sizes 8.4" and Below
 - Fast Scan Rates: Typical 0.5 ms per Sensor
 - High Resolution: Typical 480 x 360 for 3.5" Screen
 - Available in 56-Pin QFN Package
 - Seamless Transition up to Higher Function Multi-Touch All-Point Device
 - AEC Qualified
- Lowest Noise TrueTouch Device
- Highly Configurable Sensing Circuitry
 - Enables Maximum Design Flexibility
 - Enables Trade-Off Between Scan Time and Noise Performance
- Includes Gesture Detection Library
- Develop Customized User Defined Gestures
- Provides Maximum EMI Immunity
 - Selectable Spread-Spectrum Clock Source
- Powerful Harvard Architecture Processor
 - M8C Processor Speeds to 24 MHz
 - Two 8x8 Multiply, 32-Bit Accumulate
 - Low Power at High Speed
 - 3V to 5.25V Operating Voltage
 - Automotive Temperature Range: -40°C to +85°C
- Flexible On-Chip Memory
 - 16K Flash Program Storage, 1000 Erase/Write Cycles
 - 1K SRAM Data Storage
 - In-System Serial Programming (ISSP)
 - Partial Flash Updates
 - Flexible Protection Modes
 - EEPROM Emulation in Flash
- Precision, Programmable Clocking
 - Internal ±4% 24 and 48 MHz Oscillator
 - Internal Oscillator for Watchdog and Sleep
- Additional System Resources
 - I²C™ Slave, Master, and Multi-Master to 400 kHz
 - Watchdog and Sleep Timers
 - User-Configurable Low Voltage Detection
 - Integrated Supervisory Circuit
 - On-Chip Precision Voltage Reference
- Complete Development Tools
 - Free Development Software (PSoc Designer™)
 - TrueTouch Touchscreen Tuner
 - Full-Featured, In-Circuit Emulator and Programmer
 - Full Speed Emulation
 - Complex Breakpoint Structure
 - 128K Bytes Trace Memory
- Programmable Pin Configurations
 - 25 mA Sink, 10 mA Drive on All GPIO
 - Pull Up, Pull Down, High Z, Strong, or Open Drain Drive Modes on All GPIO
 - Configurable Interrupt on All GPIO

Logic Block Diagram



TrueTouch Functional Overview

The TrueTouch family provides the fastest and most efficient way to develop and tune a capacitive touchscreen application. A TrueTouch device includes the configurable TrueTouch block, configurable analog and digital logic, programmable interconnect, and an 8-bit CPU to run custom firmware. This architecture enables the user to create flexible, customized touchscreen configurations to match the requirements of each individual touchscreen application. Various configurations of Flash program memory, SRAM data memory, and configurable IO are included in a range of convenient pinouts.

The TrueTouch architecture is comprised of four main areas: the Core, Digital System, the TrueTouch Analog System, and System Resources. Configurable global busing enables all the device resources to be combined into a complete custom touchscreen system. The CY8CTMG120 device can have up to seven IO ports that connect to the global digital and analog interconnects, providing access to four digital blocks and six analog blocks. Implementation of touchscreen application enables additional digital and analog resources to be used, depending on the touchscreen design. The CY8CTMG120 is offered in a 56-pin QFN package, with up to 48 general purpose IO (GPIO), and support of up to 44 X/Y sensors.

When designing touchscreen applications, refer to the UM data sheet for performance requirements to meet and detailed design process explanation.

The TrueTouch Core

The core includes a CPU, memory, clocks, and configurable GPIO (General Purpose IO).

The M8C CPU core is a powerful processor with speeds up to 24 MHz, providing a four MIPS 8-bit Harvard architecture micro-processor. The CPU uses an interrupt controller with up to 20 vectors, to simplify programming of real time embedded events. Program execution is timed and protected using the included Sleep and Watch Dog Timers (WDT).

Memory encompasses 16K of Flash for program storage, 1K of SRAM for data storage, and up to 2K of EEPROM emulated using the Flash. Program Flash uses four protection levels on blocks of 64 bytes, enabling customized software IP protection.

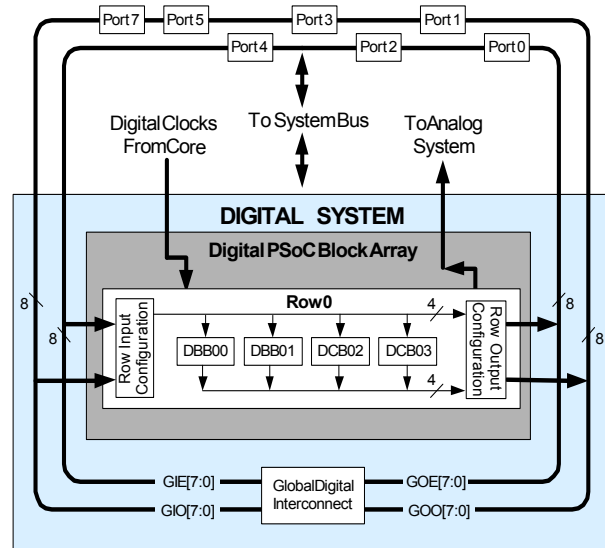
The TrueTouch device incorporates flexible internal clock generators, including a 24 MHz IMO (internal main oscillator) accurate to 8% over temperature and voltage. The 24 MHz IMO can also be doubled to 48 MHz for use by the digital system. A low power 32 kHz ILO (internal low speed oscillator) is provided for the Sleep timer and WDT. The clocks, together with programmable clock dividers (as a System Resource), provide the flexibility to integrate almost any timing requirement into the PSoC device.

The GPIOs provide connection to the CPU, digital and analog resources of the device. Each pin's drive mode may be selected from eight options, enabling great flexibility in external interfacing. Every pin also has the capability to generate a system interrupt on high level, low level, and change from last read.

The Digital System

The Digital System is composed of 4 digital PSoC blocks. Each block is an 8-bit resource that can be used alone or combined with other blocks to form 8, 16, 24, and 32-bit peripherals, which are called user module references.

Figure 1. Digital System Block Diagram



Digital peripheral configurations are as follows.

- PWMs (8 to 32 bit)
- PWMs with dead band (8 to 24 bit)
- Counters (8 to 32 bit)
- Timers (8 to 32 bit)
- UART 8 bit with selectable parity
- SPI master and slave
- I2C slave and multi-master
- Pseudo random sequence generators (8 to 32 bit)

The digital blocks are connected to any GPIO through a series of global buses that can route any signal to any pin. The buses also enable signal multiplexing and performing logic operations. This configurability frees your designs from the constraints of a fixed peripheral controller.

Digital blocks are provided in rows of four, where the number of blocks varies by TrueTouch device family. This enables optimum choice of system resources for your application. Family characteristics are shown in Table 1 on page 4.

The Analog System

The Analog System is composed of 6 configurable blocks, each comprised of an opamp circuit enabling the creation of complex analog signal flows. Analog peripherals are very flexible and can be customized to support specific application requirements. The following are some of the more common PSoC analog functions (most available as user modules):

- Analog-to-digital converters (up to 2, with 6- to 14-bit resolution, selectable as Incremental, Delta Sigma, and SAR)
- Filters (2 and 4 pole band-pass, low pass, and notch)
- Amplifiers (up to 2, with selectable gain to 48x)
- Instrumentation amplifiers (1 with selectable gain to 93x)
- Comparators (up to 2, with 16 selectable thresholds)
- DACs (up to 2, with 6- to 9-bit resolution)
- Multiplying DACs (up to 2, with 6- to 9-bit resolution)
- High current output drivers (two with 30 mA drive as a PSoC Core Resource)
- 1.3V reference (as a System Resource)
- Modulators
- Correlators
- Peak detectors
- Many other topologies possible

Analog blocks are arranged in a column of three, which includes one CT (Continuous Time) and two SC (Switched Capacitor) blocks, as shown [Figure 2](#).

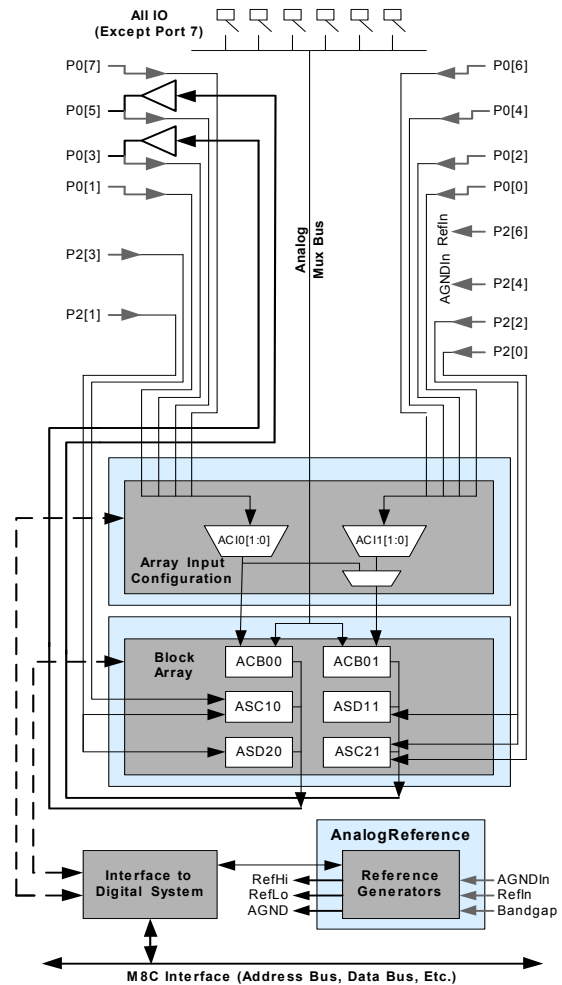
The Analog Multiplexer System

The Analog Mux Bus connects to every GPIO pin in ports 0-5. Pins are connected to the bus individually or in any combination. The bus also connects to the analog system for capacitive sensing with the TrueTouch block comparator. It can be split into two sections for simultaneous dual-channel processing. An additional 8:1 analog input multiplexer provides a second path to bring Port 0 pins to the analog array.

Switch control logic enables selected pins to switch dynamically under hardware control. This enables capacitive measurement for the touchscreen applications. Other multiplexer applications include:

- Chip-wide mux that enables analog input from up to 48 IO pins.
- Electrical connection between any IO pin combinations.

Figure 2. Analog System Block Diagram



Additional System Resources

System Resources, provide additional capability useful to complete systems. Additional resources include a multiplier, decimator, low voltage detection, and power on reset. Brief statements describing the merits of each resource follow.

- Digital clock dividers provide three customizable clock frequencies for use in applications. The clocks can be routed to both the digital and analog systems. Additional clocks can be generated using digital PSoC blocks as clock dividers.
- Two multiply accumulates (MACs) provide fast 8-bit multipliers with 32-bit accumulate, to assist in both general math and digital filters.
- Decimator provides a custom hardware filter for digital signal processing applications including creation of Delta Sigma ADCs.
- The I2C module provides 100 and 400 kHz communication over two wires. Slave, master, multi-master are supported.

- Low Voltage Detection (LVD) interrupts signal the application of falling voltage levels, while the advanced POR (Power On Reset) circuit eliminates the need for a system supervisor.
- An internal 1.3V reference provides an absolute reference for the analog system, including ADCs and DACs.
- Versatile analog multiplexer system.

Getting Started

To understand the PSoC silicon, read this data sheet and use the PSoC Designer Integrated Development Environment (IDE). This data sheet is an overview of the PSoC integrated circuit and presents general silicon and electrical specifications. For in depth touchscreen application information, including touchscreen specific specifications, read the touchscreen user module data sheet that is supported by this specific device.

TrueTouch Device Characteristics

Depending on the TrueTouch device selected for a touchscreen application, characteristics and capabilities of each device change. [Table 1](#) lists the touchscreen sensing capabilities available for specific TrueTouch devices. The TrueTouch device covered by this data sheet is highlighted in this table.

Table 1. TrueTouch Device Characteristics

TrueTouch Part Number	Sensor Inputs	Max Screen Size (Inches)	Single-Touch	Multi-Touch Gesture	Multi-Touch All-Point	Scan Speed (ms) ^[1]	Current Consumption ^[2]	Flash Size	SRAM Size
CY8CTMG120	up to 44	8.4	Y	Y	N	0.5	16	16K	1K
CY8CTMA120	up to 37	7.3"	Y	Y	Y	0.12	16	16K	1K

Application Notes

Application notes are an excellent introduction to the wide variety of possible PSoC designs. They are located here: www.cypress.com/psoc. Select Application Notes under the Documentation tab.

Development Kits

PSoC Development Kits are available online from Cypress at www.cypress.com/shop and through a growing number of regional and global distributors, which include Arrow, Avnet, Digi-Key, Farnell, Future Electronics, and Newark.

Training

Free PSoC technical training (on demand, webinars, and workshops) is available online at www.cypress.com/training. The training covers a wide variety of topics and skill levels to assist you in your designs.

Cypros Consultants

Certified PSoC Consultants offer everything from technical assistance to completed PSoC designs. To contact or become a PSoC Consultant go to www.cypress.com/cypros.

Solutions Library

Visit our growing library of solution focused designs at www.cypress.com/solutions. Here you can find various application designs that include firmware and hardware design files that enable you to complete your designs quickly.

Technical Support

For assistance with technical issues, search KnowledgeBase articles and forums at www.cypress.com/support. If you cannot find an answer to your question, call technical support at 1-800-541-4736.

Notes

1. Per sensor typical. Depends on touchscreen panel. For MA120 per X/Y crossing Vcc = 3.3V.
2. Average mA supply current. Based on 8 ms report rate, except for MA120.

Development Tools

PSoC Designer is a Microsoft® Windows-based, integrated development environment for the Programmable System-on-Chip (PSoC) devices. The PSoC Designer IDE runs on Windows XP or Windows Vista.

This system provides design database management by project, an integrated debugger with In-Circuit Emulator, in-system programming support, and built-in support for third-party assemblers and C compilers.

PSoC Designer also supports C language compilers developed specifically for the devices in the PSoC family.

PSoC Designer Software Subsystems

System-Level View

A drag-and-drop visual embedded system design environment based on PSoC Express. In the system level view you create a model of your system inputs, outputs, and communication interfaces. You define when and how an output device changes state based upon any or all other system devices. Based upon the design, PSoC Designer automatically selects one or more PSoC Mixed-Signal Controllers that match your system requirements.

PSoC Designer generates all embedded code, then compiles and links it into a programming file for a specific PSoC device.

Chip-Level View

The chip-level view is a more traditional integrated development environment (IDE) based on PSoC Designer 4.4. Choose a base device to work with and then select different onboard analog and digital components called user modules that use the PSoC blocks. Examples of user modules are ADCs, DACs, Amplifiers, and Filters. Configure the user modules for your chosen application and connect them to each other and to the proper pins. Then generate your project. This prepopulates your project with APIs and libraries that you can use to program your application.

The device editor also supports easy development of multiple configurations and dynamic reconfiguration. Dynamic configuration enables changing configurations at run time.

Hybrid Designs

You can begin in the system-level view, enable it to choose and configure your user modules, routing, and generate code, then switch to the chip-level view to gain complete control over on-chip resources. All views of the project share a common code editor, builder, and common debug, emulation, and programming tools.

Code Generation Tools

PSoC Designer supports multiple third party C compilers and assemblers. The code generation tools work seamlessly within the PSoC Designer interface and have been tested with a full range of debugging tools. The choice is yours.

Assemblers. The assemblers enable assembly code to merge seamlessly with C code. Link libraries automatically use absolute addressing or are compiled in relative mode, and linked with other software modules to get absolute addressing.

C Language Compilers. C language compilers are available that support the PSoC family of devices. The products enable you to create complete C programs for the PSoC family devices.

The optimizing C compilers provide all the features of C tailored to the PSoC architecture. They come complete with embedded libraries providing port and bus operations, standard keypad and display support, and extended math functionality.

Debugger

The PSoC Designer Debugger subsystem provides hardware in-circuit emulation, enabling you to test the program in a physical system while providing an internal view of the PSoC device. Debugger commands enable the designer to read and program and read and write data memory, read and write IO registers, read and write CPU registers, set and clear breakpoints, and provide program run, halt, and step control. The debugger also enables the designer to create a trace buffer of registers and memory locations of interest.

Online Help System

The online help system displays online, context-sensitive help for the user. Designed for procedural and quick reference, each functional subsystem has its own context-sensitive help. This system also provides tutorials and links to FAQs and an Online Support Forum to aid the designer in getting started.

Hardware Tools

In-Circuit Emulator

A low cost, high functionality ICE (In-Circuit Emulator) is available for development support. This hardware has the capability to program single devices.

The emulator consists of a base unit that connects to the PC by way of a USB port. The base unit is universal and operates with all PSoC devices. Emulation pods for each device family are available separately. The emulation pod takes the place of the PSoC device in the target board and performs full speed (24 MHz) operation.

TrueTouch Touchscreen Tuner

The TrueTouch tuner is a Microsoft® Windows based graphical user interface enabling developers to set critical parameters and observe changes to the touchscreen application in real time. Optimal configuration from the tuner are immediately applied to the TrueTouch user module settings.

Designing with PSoC Designer

The development process for the PSoC device differs from that of a traditional fixed function microprocessor. The configurable analog and digital hardware blocks give the PSoC architecture a unique flexibility that pays dividends in managing specification change during development and by lowering inventory costs. These configurable resources, called PSoC Blocks, have the ability to implement a wide variety of user-selectable functions.

The PSoC development process can be summarized in the following four steps:

1. Select components
2. Configure components
3. Organize and Connect
4. Generate, Verify, and Debug

Select Components

Both the system-level and chip-level views provide a library of prebuilt, pretested hardware peripheral components. In the system-level view, these components are called “drivers” and correspond to inputs (a thermistor, for example), outputs (a brushless DC fan, for example), communication interfaces (I²C-bus, for example), and the logic to control how they interact with one another (called valuator).

In the chip-level view, the components are called “user modules”. User modules make selecting and implementing peripheral devices simple, and come in analog, digital, and mixed signal varieties.

Configure Components

Each of the components you select establishes the basic register settings that implement the selected function. They also provide parameters and properties that enable you to tailor their precise configuration to your particular application. For example, a Pulse Width Modulator (PWM) User Module configures one or more digital PSoC blocks, one for each 8 bits of resolution. The user module parameters permit you to establish the pulse width and duty cycle. Configure the parameters and properties to correspond to your chosen application. Enter values directly or by selecting values from drop-down menus.

Both the system-level drivers and chip-level user modules are documented in data sheets that are viewed directly in the PSoC Designer. These data sheets explain the internal operation of the component and provide performance specifications. Each data sheet describes the use of each user module parameter or driver property, and other information you may need to successfully implement your design.

Organize and Connect

You can build signal chains at the chip level by interconnecting user modules to each other and the IO pins, or connect system level inputs, outputs, and communication interfaces to each other with valuator functions.

In the system-level view, selecting a potentiometer driver to control a variable speed fan driver and setting up the valuator to control the fan speed based on input from the pot selects, places, routes, and configures a programmable gain amplifier (PGA) to buffer the input from the potentiometer, an analog to digital converter (ADC) to convert the potentiometer’s output to a digital signal, and a PWM to control the fan.

In the chip-level view, perform the selection, configuration, and routing so that you have complete control over the use of all on-chip resources.

Generate, Verify, and Debug

When you are ready to test the hardware configuration or move on to developing code for the project, perform the “Generate Application” step. This causes PSoC Designer to generate source code that automatically configures the device to your specification and provides the software for the system.

Both system-level and chip-level designs generate software based on your design. The chip-level design provides application programming interfaces (APIs) with high level functions to control and respond to hardware events at run-time and interrupt service routines that you can adapt as needed. The system-level design also generates a C main() program that completely controls the chosen application and contains placeholders for custom code at strategic positions enabling you to further refine the software without disrupting the generated code.

A complete code development environment enables you to develop and customize your applications in C, assembly language, or both.

The last step in the development process takes place inside the PSoC Designer’s Debugger subsystem. The Debugger downloads the HEX image to the ICE where it runs at full speed. Debugger capabilities rival those of systems costing many times more. In addition to traditional single-step, run-to-breakpoint and watch-variable features, the Debugger provides a large trace buffer and enables you define complex breakpoint events that include monitoring address and data bus values, memory locations and external signals.

Document Conventions

Acronyms Used

The following table lists the acronyms that are used in this document.

Acronym	Description
AC	alternating current
ADC	analog-to-digital converter
API	application programming interface
CPU	central processing unit
CT	continuous time
DAC	digital-to-analog converter
DC	direct current
ECO	external crystal oscillator
EEPROM	electrically erasable programmable read-only memory
FSR	full scale range
GPIO	general purpose IO
GUI	graphical user interface
HBM	human body model
ICE	in-circuit emulator
ILO	internal low speed oscillator
IMO	internal main oscillator
IO	input/output
IPOR	imprecise power on reset
LSb	least-significant bit
LVD	low voltage detect
MSb	most-significant bit
PC	program counter
PLL	phase-locked loop
POR	power on reset
PPOR	precision power on reset
PSoC®	Programmable System-on-Chip™
PWM	pulse width modulator
SC	switched capacitor
SRAM	static random access memory

Units of Measure

A units of measure table is located in the Electrical Specifications section. [Table 3](#) on page 9 lists all the abbreviations used to measure the PSoC devices.

Numeric Naming

Hexadecimal numbers are represented with all letters in uppercase with an appended lowercase 'h' (for example, '14h' or '3Ah'). Hexadecimal numbers may also be represented by a '0x' prefix, the C coding convention. Binary numbers have an appended lowercase 'b' (for example, 01010100b' or '01000011b'). Numbers not indicated by an 'h', '0x', or 'b' are decimal.

Electrical Specifications

This section presents the DC and AC electrical specifications of the CY8CTMG120 TrueTouch device family. For the most up to date electrical specifications, confirm that you have the most recent data sheet by going to the web at <http://www.cypress.com/psoc>.

Specifications are valid for $-40^{\circ}\text{C} \leq T_A \leq 85^{\circ}\text{C}$ and $T_J \leq 100^{\circ}\text{C}$, except where noted.

Figure 4. Voltage versus CPU Frequency

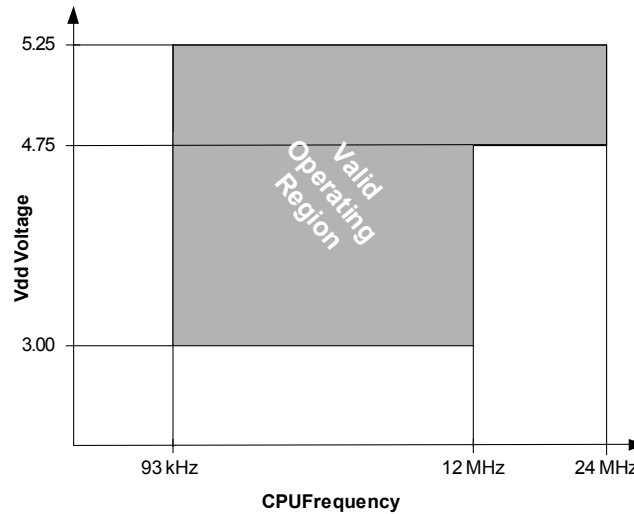


Table 3 lists the units of measure that are used in this section

Table 3. Units of Measure

Symbol	Unit of Measure	Symbol	Unit of Measure
°C	degree Celsius	μW	microwatts
dB	decibels	mA	milli-ampere
fF	femto farad	ms	milli-second
Hz	hertz	mV	milli-volts
KB	1024 bytes	nA	nanoampere
Kbit	1024 bits	ns	nanosecond
kHz	kilohertz	nV	nanovolts
kΩ	kilohm	W	ohm
MHz	megahertz	pA	picoampere
MΩ	megaohm	pF	picofarad
μA	microampere	pp	peak-to-peak
μF	microfarad	ppm	parts per million
μH	microhenry	ps	picosecond
μs	microsecond	sps	samples per second
μV	microvolts	s	sigma: one standard deviation
μVrms	microvolts root-mean-square	V	volts

Absolute Maximum Ratings

Table 4. Absolute Maximum Ratings

Symbol	Description	Min	Typ	Max	Units	Notes
T _{STG}	Storage Temperature	-55	25	+100	°C	Higher storage temperatures reduces data retention time. Recommended storage temperature is +25°C ± 25°C. Extended duration storage temperatures above 65°C degrades reliability.
T _A	Ambient Temperature with Power Applied	-40	–	+85	°C	
V _{dd}	Supply Voltage on Vdd Relative to Vss	-0.5	–	+6.0	V	
V _{IO}	DC Input Voltage	Vss - 0.5	–	Vdd + 0.5	V	
V _{IO2}	DC Voltage Applied to Tri-state	Vss - 0.5	–	Vdd + 0.5	V	
I _{MIO}	Maximum Current into any Port Pin	-25	–	+50	mA	
I _{MAIO}	Maximum Current into any Port Pin Configured as Analog Driver	-50	–	+50	mA	
ESD	Electrostatic Discharge Voltage ^[4]	2000	–	–	V	Human Body Model ESD.
LU	Latch Up Current	–	–	200	mA	

Operating Temperature

Table 5. Operating Temperature

Symbol	Description	Min	Typ	Max	Units	Notes
T _A	Ambient Temperature ^[5]	-40	–	+85	°C	
T _J	Junction Temperature	-40	–	+100	°C	The temperature rise from ambient to junction is package specific. See Thermal Impedance for the Package on page 26. The user must limit the power consumption to comply with this requirement.

Notes

4. See the user module data sheet for touchscreen application related ESD testing
5. See the user module data sheet for touchscreen application related temperature testing.

DC Electrical Characteristics

The following electrical characteristics are for proper CPU core and I/O operation. For capacitive touchscreen electrical characteristics, refer to the touchscreen user module data sheet.

DC Chip Level Specifications

Table 6 lists guaranteed maximum and minimum specifications for the voltage and temperature ranges: 4.75V to 5.25V and $-40^{\circ}\text{C} \leq T_A \leq 85^{\circ}\text{C}$, or 3.0V to 3.6V and $-40^{\circ}\text{C} \leq T_A \leq 85^{\circ}\text{C}$, respectively. Typical parameters apply to 5V and 3.3V at 25°C . These are for design guidance only.

Table 6. DC Chip Level Specifications

Symbol	Description	Min	Typ	Max	Units	Notes
Vdd	Supply Voltage	3.0	–	5.25	V	See DC POR and LVD specifications, Table 17 on page 17.
I _{DD5}	Supply Current, IMO = 24 MHz (5V)	–	14	27	mA	Conditions are Vdd = 5.0V, T _A = 25 °C, CPU = 3 MHz, SYSCLK doubler disabled, VC1 = 1.5 MHz, VC2 = 93.75 kHz, VC3 = 93.75 kHz, analog power = off.
I _{DD3}	Supply Current, IMO = 24 MHz (3.3V)	–	8	14	mA	Conditions are Vdd = 3.3V, T _A = 25 °C, CPU = 3 MHz, SYSCLK doubler disabled, VC1 = 1.5 MHz, VC2 = 93.75 kHz, VC3 = 0.367 kHz, analog power = off.
I _{SB}	Sleep (Mode) Current with POR, LVD, Sleep Timer, and WDT. ^[6]	–	3	6.5	μA	Conditions are with internal slow speed oscillator, Vdd = 3.3V, $-40^{\circ}\text{C} \leq T_A \leq 55^{\circ}\text{C}$, analog power = off.
I _{SBH}	Sleep (Mode) Current with POR, LVD, Sleep Timer, and WDT at High Temperature. ^[6]	–	4	25	μA	Conditions are with internal slow speed oscillator, Vdd = 3.3V, $55^{\circ}\text{C} < T_A \leq 85^{\circ}\text{C}$, analog power = off.

DC General Purpose IO Specifications

Table 7 lists guaranteed maximum and minimum specifications for the voltage and temperature ranges: 4.75V to 5.25V and $-40^{\circ}\text{C} \leq T_A \leq 85^{\circ}\text{C}$, or 3.0V to 3.6V and $-40^{\circ}\text{C} \leq T_A \leq 85^{\circ}\text{C}$, respectively. Typical parameters apply to 5V and 3.3V at 25°C . These are for design guidance only.

Table 7. DC GPIO Specifications

Symbol	Description	Min	Typ	Max	Units	Notes
R _{PU}	Pull Up Resistor	4	5.6	8	kΩ	
R _{PD}	Pull Down Resistor	4	5.6	8	kΩ	
V _{OH}	High Output Level	Vdd - 1.0	–	–	V	IOH = 10 mA, Vdd = 4.75 to 5.25V (8 total loads, 4 on even port pins (for example, P0[2], P1[4]), 4 on odd port pins (for example, P0[3], P1[5])). 80 mA maximum combined IOH budget.
V _{OL}	Low Output Level	–	–	0.75	V	IOL = 25 mA, Vdd = 4.75 to 5.25V (8 total loads, 4 on even port pins (for example, P0[2], P1[4]), 4 on odd port pins (for example, P0[3], P1[5])). 200 mA maximum combined IOL budget.
V _{IL}	Input Low Level	–	–	0.8	V	Vdd = 3.0 to 5.25.
V _{IH}	Input High Level	2.1	–	–	V	Vdd = 3.0 to 5.25.
V _H	Input Hysteresis	–	60	–	mV	
I _{IL}	Input Leakage (Absolute Value)	–	1	–	nA	Gross tested to 1 μA.
C _{IN}	Capacitive Load on Pins as Input	–	3.5	10	pF	Package and pin dependent. Temp = 25°C.
C _{OUT}	Capacitive Load on Pins as Output	–	3.5	10	pF	Package and pin dependent. Temp = 25°C.

Note

6. Standby current includes all functions (POR, LVD, WDT, Sleep Time) needed for reliable system operation. This should be compared with devices that have similar functions enabled.

DC Operational Amplifier Specifications

Table 8 and Table 9 list guaranteed maximum and minimum specifications for the voltage and temperature ranges: 4.75V to 5.25V and $-40^{\circ}\text{C} \leq T_A \leq 85^{\circ}\text{C}$, or 3.0V to 3.6V and $-40^{\circ}\text{C} \leq T_A \leq 85^{\circ}\text{C}$, respectively. Typical parameters apply to 5V and 3.3V at 25°C . These are for design guidance only.

The Operational Amplifier is a component of both the Analog Continuous Time PSoC blocks and the Analog Switched Capacitor PSoC blocks. The guaranteed specifications are measured in the Analog Continuous Time PSoC block.

Table 8. 5V DC Operational Amplifier Specifications

Symbol	Description	Min	Typ	Max	Units	Notes
V_{OSOA}	Input Offset Voltage (absolute value)	-	1.6	10	mV	
	Power = Low, Opamp Bias = High		1.3	8	mV	
	Power = Medium, Opamp Bias = High		1.2	7.5	mV	
TCV_{OSOA}	Average Input Offset Voltage Drift	-	7.0	35.0	$\mu\text{V}/^{\circ}\text{C}$	
I_{EBOA}	Input Leakage Current (Port 0 Analog Pins)	-	20	-	pA	Gross tested to 1 μA .
C_{INOA}	Input Capacitance (Port 0 Analog Pins)	-	4.5	9.5	pF	Package and pin dependent. Temp = 25°C .
V_{CMOA}	Common Mode Voltage Range	0.0	-	Vdd	V	The common-mode input voltage range is measured through an analog output buffer. The specification includes the limitations imposed by the characteristics of the analog output buffer.
	Common Mode Voltage Range (high power or high opamp bias)	0.5	-	Vdd - 0.5		
G_{OLOA}	Open Loop Gain	60	-	-	dB	
	Power = Low, Opamp Bias = High		60			
	Power = Medium, Opamp Bias = High		80			
V_{OHIGHOA}	High Output Voltage Swing (internal signals)	Vdd - 0.2	-	-	V	
	Power = Low, Opamp Bias = High		Vdd - 0.2	-	V	
	Power = Medium, Opamp Bias = High		Vdd - 0.5	-	V	
V_{LOWOA}	Low Output Voltage Swing (internal signals)	-	-	0.2	V	
	Power = Low, Opamp Bias = High		-	0.2	V	
	Power = Medium, Opamp Bias = High		-	0.5	V	
I_{SOA}	Supply Current (including associated AGND buffer)	-	400	800	μA	
	Power = Low, Opamp Bias = Low		500	900	μA	
	Power = Low, Opamp Bias = High		800	1000	μA	
	Power = Medium, Opamp Bias = Low		1200	1600	μA	
	Power = Medium, Opamp Bias = High		2400	3200	μA	
	Power = High, Opamp Bias = Low		4600	6400	μA	
$PSRR_{\text{OA}}$	Supply Voltage Rejection Ratio	65	80	-	dB	$V_{\text{SS}} \leq V_{\text{IN}} \leq (V_{\text{DD}} - 2.25)$ or $(V_{\text{DD}} - 1.25\text{V}) \leq V_{\text{IN}} \leq V_{\text{DD}}$.

Table 9. 3.3V DC Operational Amplifier Specifications

Symbol	Description	Min	Typ	Max	Units	Notes
V _{OSOA}	Input Offset Voltage (Absolute Value) Power = Low, Opamp Bias = High Power = Medium, Opamp Bias = High High Power is 5V Only	– –	1.65 1.32	10 8	mV mV	
TCV _{OSOA}	Average Input Offset Voltage Drift	–	7.0	35.0	μV/°C	
I _{EBOA}	Input Leakage Current (Port 0 Analog Pins)	–	20	–	pA	Gross tested to 1 μA.
C _{INOA}	Input Capacitance (Port 0 Analog Pins)	–	4.5	9.5	pF	Package and pin dependent. Temp = 25°C.
V _{CMOA}	Common Mode Voltage Range	0.2	–	V _{dd} - 0.2	V	The common-mode input voltage range is measured through an analog output buffer. The specification includes the limitations imposed by the characteristics of the analog output buffer.
G _{OLOA}	Open Loop Gain Power = Low, Opamp Bias = Low Power = Medium, Opamp Bias = Low Power = High, Opamp Bias = Low	60 60 80	–	–	dB	
V _{OHIGHOA}	High Output Voltage Swing (internal signals) Power = Low, Opamp Bias = Low Power = Medium, Opamp Bias = Low Power = High is 5V only	V _{dd} - 0.2 V _{dd} - 0.2 V _{dd} - 0.2	– – –	– – –	V V V	
V _{OLOWOA}	Low Output Voltage Swing (internal signals) Power = Low, Opamp Bias = Low Power = Medium, Opamp Bias = Low Power = High, Opamp Bias = Low	– – –	– – –	0.2 0.2 0.2	V V V	
I _{SOA}	Supply Current (including associated AGND buffer) Power = Low, Opamp Bias = Low Power = Low, Opamp Bias = High Power = Medium, Opamp Bias = Low Power = Medium, Opamp Bias = High Power = High, Opamp Bias = Low Power = High, Opamp Bias = High	– – – – – –	400 500 800 1200 2400 4600	800 900 1000 1600 3200 6400	μA μA μA μA μA μA	
PSRR _{OA}	Supply Voltage Rejection Ratio	65	80	–	dB	V _{ss} ≤ V _{IN} ≤ (V _{dd} - 2.25) or (V _{dd} - 1.25V) ≤ V _{IN} ≤ V _{dd} .

DC Low Power Comparator Specifications

Table 10 lists guaranteed maximum and minimum specifications for the voltage and temperature ranges: 4.75V to 5.25V and $-40^{\circ}\text{C} \leq T_A \leq 85^{\circ}\text{C}$, 3.0V to 3.6V and $-40^{\circ}\text{C} \leq T_A \leq 85^{\circ}\text{C}$, or 2.4V to 3.0V and $-40^{\circ}\text{C} \leq T_A \leq 85^{\circ}\text{C}$, respectively. Typical parameters apply to 5V at 25°C. These are for design guidance only.

Table 10. DC Low Power Comparator Specifications

Symbol	Description	Min	Typ	Max	Units	Notes
V_{REFLPC}	Low Power Comparator (LPC) Reference Voltage Range	0.2	–	$V_{\text{DD}} - 1$	V	
I_{SLPC}	LPC Supply Current	–	10	40	μA	
V_{OSLPC}	LPC Voltage Offset	–	2.5	30	mV	

DC IDAC Resolution

Table 11 lists IDAC typical resolution. Typical parameters apply to 5V at 25°C. These are for design guidance only.

Table 11. DC Low Power Comparator Specifications

Symbol	Description	Min	Typ	Max	Units	Notes
I_{DAC}	Current Output of 1 LSB (1x Setting)	-	75	-	nA	

DC Analog Output Buffer Specifications

Table 12 and Table 13 list guaranteed maximum and minimum specifications for the voltage and temperature ranges: 4.75V to 5.25V and $-40^{\circ}\text{C} \leq T_A \leq 85^{\circ}\text{C}$, or 3.0V to 3.6V and $-40^{\circ}\text{C} \leq T_A \leq 85^{\circ}\text{C}$, respectively. Typical parameters apply to 5V and 3.3V at 25°C. These are for design guidance only.

Table 12. 5V DC Analog Output Buffer Specifications

Symbol	Description	Min	Typ	Max	Units	Notes
V_{OSOB}	Input Offset Voltage (Absolute Value)	–	3	12	mV	
TCV_{OSOB}	Average Input Offset Voltage Drift	–	+6	–	$\mu\text{V}/^{\circ}\text{C}$	
V_{CMOB}	Common-Mode Input Voltage Range	0.5	–	$V_{\text{DD}} - 1.0$	V	
R_{OUTOB}	Output Resistance Power = Low Power = High	– –	0.6 0.6	– –	Ω Ω	
V_{OHIGHOB}	High Output Voltage Swing (Load = 32 ohms to $V_{\text{DD}}/2$) Power = Low Power = High	$0.5 \times V_{\text{DD}} + 1.1$ $0.5 \times V_{\text{DD}} + 1.1$	– –	– –	V V	
V_{LOWOB}	Low Output Voltage Swing (Load = 32 ohms to $V_{\text{DD}}/2$) Power = Low Power = High	– –	– –	$0.5 \times V_{\text{DD}} - 1.3$ $0.5 \times V_{\text{DD}} - 1.3$	V V	
I_{SOB}	Supply Current Including Bias Cell (No Load) Power = Low Power = High	– –	1.1 2.6	5.1 8.8	mA mA	
PSRR_{OB}	Supply Voltage Rejection Ratio	53	64	–	dB	$(0.5 \times V_{\text{DD}} - 1.3) \leq V_{\text{OUT}} \leq (V_{\text{DD}} - 2.3)$.

Table 13. 3.3V DC Analog Output Buffer Specifications

Symbol	Description	Min	Typ	Max	Units	Notes
V _O SOB	Input Offset Voltage (Absolute Value)	–	3	12	mV	
TCV _O SOB	Average Input Offset Voltage Drift	–	+6	–	μV/°C	
V _{CM} OB	Common-Mode Input Voltage Range	0.5	-	V _{DD} - 1.0	V	
R _{OUT} OB	Output Resistance Power = Low Power = High	– –	1 1	– –	Ω Ω	
V _O HIGHOB	High Output Voltage Swing (Load = 1K ohms to V _{DD} /2) Power = Low Power = High	0.5 x V _{DD} + 1.0 0.5 x V _{DD} + 1.0	– –	– –	V V	
V _O LOWOB	Low Output Voltage Swing (Load = 1K ohms to V _{DD} /2) Power = Low Power = High	– –	– –	0.5 x V _{DD} - 1.0 0.5 x V _{DD} - 1.0	V V	
I _{SOB}	Supply Current Including Bias Cell (No Load) Power = Low Power = High	–	0.8 2.0	2.0 4.3	mA mA	
PSRR _{OB}	Supply Voltage Rejection Ratio	34	64	–	dB	(0.5 x V _{DD} - 1.0) ≤ V _{OUT} ≤ (0.5 x V _{DD} + 0.9).

DC Analog Reference Specifications

Table 14 and Table 15 list guaranteed maximum and minimum specifications for the voltage and temperature ranges: 4.75V to 5.25V and -40°C ≤ T_A ≤ 85°C, or 3.0V to 3.6V and -40°C ≤ T_A ≤ 85°C, respectively. Typical parameters apply to 5V and 3.3V at 25°C. These are for design guidance only.

The guaranteed specifications are measured through the Analog Continuous Time PSoC blocks. The power levels for AGND refer to the power of the Analog Continuous Time PSoC block. The power levels for RefHi and RefLo refer to the Analog Reference Control register. The limits stated for AGND include the offset error of the AGND buffer local to the Analog Continuous Time PSoC block. Reference control power is high.

Table 14. 5V DC Analog Reference Specifications

Symbol	Description	Min	Typ	Max	Units
BG	Bandgap Voltage Reference	1.28	1.30	1.32	V
–	AGND = V _{DD} /2 ^[7]	V _{DD} /2 - 0.04	V _{DD} /2 - 0.01	V _{DD} /2 + 0.007	V
–	AGND = 2 x BandGap ^[7]	2 x BG - 0.048	2 x BG - 0.030	2 x BG + 0.024	V
–	AGND = P2[4] (P2[4] = V _{DD} /2) ^[7]	P2[4] - 0.011	P2[4]	P2[4] + 0.011	V
–	AGND = BandGap ^[7]	BG - 0.009	BG + 0.008	BG + 0.016	V
–	AGND = 1.6 x BandGap ^[7]	1.6 x BG - 0.022	1.6 x BG - 0.010	1.6 x BG + 0.018	V
–	AGND Block to Block Variation (AGND = V _{DD} /2) ^[7]	-0.034	0.000	0.034	V
–	RefHi = V _{DD} /2 + BandGap	V _{DD} /2 + BG - 0.10	V _{DD} /2 + BG	V _{DD} /2 + BG + 0.10	V
–	RefHi = 3 x BandGap	3 x BG - 0.06	3 x BG	3 x BG + 0.06	V
–	RefHi = 2 x BandGap + P2[6] (P2[6] = 1.3V)	2 x BG + P2[6] - 0.113	2 x BG + P2[6] - 0.018	2 x BG + P2[6] + 0.077	V
–	RefHi = P2[4] + BandGap (P2[4] = V _{DD} /2)	P2[4] + BG - 0.130	P2[4] + BG - 0.016	P2[4] + BG + 0.098	V
–	RefHi = P2[4] + P2[6] (P2[4] = V _{DD} /2, P2[6] = 1.3V)	P2[4] + P2[6] - 0.133	P2[4] + P2[6] - 0.016	P2[4] + P2[6] + 0.100	V

Note

7. AGND tolerance includes the offsets of the local buffer in the PSoC block. Bandgap voltage is 1.3V ± 0.02V.

Table 14. 5V DC Analog Reference Specifications (continued)

Symbol	Description	Min	Typ	Max	Units
–	RefHi = 3.2 x BandGap	3.2 x BG - 0.112	3.2 x BG	3.2 x BG + 0.076	V
–	RefLo = Vdd/2 - BandGap	Vdd/2 - BG - 0.04	Vdd/2 - BG + 0.024	Vdd/2 - BG + 0.04	V
–	RefLo = BandGap	BG - 0.06	BG	BG + 0.06	V
–	RefLo = 2 x BandGap - P2[6] (P2[6] = 1.3V)	2 x BG - P2[6] - 0.084	2 x BG - P2[6] + 0.025	2 x BG - P2[6] + 0.134	V
–	RefLo = P2[4] - BandGap (P2[4] = Vdd/2)	P2[4] - BG - 0.056	P2[4] - BG + 0.026	P2[4] - BG + 0.107	V
–	RefLo = P2[4]-P2[6] (P2[4] = Vdd/2, P2[6] = 1.3V)	P2[4] - P2[6] - 0.057	P2[4] - P2[6] + 0.026	P2[4] - P2[6] + 0.110	V

Table 15. 3.3V DC Analog Reference Specifications

Symbol	Description	Min	Typ	Max	Units
BG	Bandgap Voltage Reference	1.28	1.30	1.32	V
–	AGND = Vdd/2 ^[7]	Vdd/2 - 0.03	Vdd/2 - 0.01	Vdd/2 + 0.005	V
–	AGND = 2 x BandGap ^[7]	Not Allowed			
–	AGND = P2[4] (P2[4] = Vdd/2)	P2[4] - 0.008	P2[4] + 0.001	P2[4] + 0.009	V
–	AGND = BandGap ^[7]	BG - 0.009	BG + 0.005	BG + 0.015	V
–	AGND = 1.6 x BandGap ^[7]	1.6 x BG - 0.027	1.6 x BG - 0.010	1.6 x BG + 0.018	V
–	AGND Column to Column Variation (AGND = Vdd/2) ^[7]	-0.034	0.000	0.034	V
–	RefHi = Vdd/2 + BandGap	Not Allowed			
–	RefHi = 3 x BandGap	Not Allowed			
–	RefHi = 2 x BandGap + P2[6] (P2[6] = 0.5V)	Not Allowed			
–	RefHi = P2[4] + BandGap (P2[4] = Vdd/2)	Not Allowed			
–	RefHi = P2[4] + P2[6] (P2[4] = Vdd/2, P2[6] = 0.5V)	P2[4] + P2[6] - 0.075	P2[4] + P2[6] - 0.009	P2[4] + P2[6] + 0.057	V
–	RefHi = 3.2 x BandGap	Not Allowed			
–	RefLo = Vdd/2 - BandGap	Not Allowed			
–	RefLo = BandGap	Not Allowed			
–	RefLo = 2 x BandGap - P2[6] (P2[6] = 0.5V)	Not Allowed			
–	RefLo = P2[4] - BandGap (P2[4] = Vdd/2)	Not Allowed			
–	RefLo = P2[4]-P2[6] (P2[4] = Vdd/2, P2[6] = 0.5V)	P2[4] - P2[6] - 0.048	P2[4] - P2[6] + 0.022	P2[4] - P2[6] + 0.092	V

DC Analog PSoC Block Specifications

Table 16 lists guaranteed maximum and minimum specifications for the voltage and temperature ranges: 4.75V to 5.25V and $-40^{\circ}\text{C} \leq T_A \leq 85^{\circ}\text{C}$, or 3.0V to 3.6V and $-40^{\circ}\text{C} \leq T_A \leq 85^{\circ}\text{C}$, respectively. Typical parameters apply to 5V and 3.3V at 25°C . These are for design guidance only.

Table 16. DC Analog PSoC Block Specifications

Symbol	Description	Min	Typ	Max	Units
R _{CT}	Resistor Unit Value (Continuous Time)	–	12.2	–	kΩ
C _{SC}	Capacitor Unit Value (Switched Capacitor)	–	80	–	fF

DC POR and LVD Specifications

Table 17 lists guaranteed maximum and minimum specifications for the voltage and temperature ranges: 4.75V to 5.25V and $-40^{\circ}\text{C} \leq T_A \leq 85^{\circ}\text{C}$, or 3.0V to 3.6V and $-40^{\circ}\text{C} \leq T_A \leq 85^{\circ}\text{C}$, respectively. Typical parameters apply to 5V or 3.3V at 25°C . These are for design guidance only.

Note The bits PORLEV and VM in the following table refer to bits in the VLT_CR register.

Table 17. DC POR and LVD Specifications

Symbol	Description	Min	Typ	Max	Units
V _{PPOR0R}	V _{dd} Value for PPOR Trip (positive ramp) PORLEV[1:0] = 00b	–	2.91	–	V
V _{PPOR1R}	PORLEV[1:0] = 01b	–	4.39	–	V
V _{PPOR2R}	PORLEV[1:0] = 10b	–	4.55	–	V
V _{PPOR0}	V _{dd} Value for PPOR Trip (negative ramp) PORLEV[1:0] = 00b	–	2.82	–	V
V _{PPOR1}	PORLEV[1:0] = 01b	–	4.39	–	V
V _{PPOR2}	PORLEV[1:0] = 10b	–	4.55	–	V
V _{PH0}	PPOR Hysteresis PORLEV[1:0] = 00b	–	92	–	mV
V _{PH1}	PORLEV[1:0] = 01b	–	0	–	mV
V _{PH2}	PORLEV[1:0] = 10b	–	0	–	mV
V _{LVD0}	V _{dd} Value for LVD Trip VM[2:0] = 000b	2.86	2.92	2.98 ^[8]	V
V _{LVD1}	VM[2:0] = 001b	2.96	3.02	3.08	V
V _{LVD2}	VM[2:0] = 010b	3.07	3.13	3.20	V
V _{LVD3}	VM[2:0] = 011b	3.92	4.00	4.08	V
V _{LVD4}	VM[2:0] = 100b	4.39	4.48	4.57	V
V _{LVD5}	VM[2:0] = 101b	4.55	4.64	4.74 ^[9]	V
V _{LVD6}	VM[2:0] = 110b	4.63	4.73	4.82	V
V _{LVD7}	VM[2:0] = 111b	4.72	4.81	4.91	V

Notes

8. Always greater than 50 mV above PPOR (PORLEV = 00) for falling supply.
9. Always greater than 50 mV above PPOR (PORLEV = 10) for falling supply.

DC Programming Specifications

Table 18 lists guaranteed maximum and minimum specifications for the voltage and temperature ranges: 4.75V to 5.25V and $-40^{\circ}\text{C} \leq T_A \leq 85^{\circ}\text{C}$, or 3.0V to 3.6V and $-40^{\circ}\text{C} \leq T_A \leq 85^{\circ}\text{C}$, respectively. Typical parameters apply to 5V and 3.3V at 25°C . These are for design guidance only.

Table 18. DC Programming Specifications

Symbol	Description	Min	Typ	Max	Units	Notes
I_{DDP}	Supply Current During Programming or Verify	–	15	30	mA	
V_{ILP}	Input Low Voltage During Programming or Verify	–	–	0.8	V	
V_{IHP}	Input High Voltage During Programming or Verify	2.1	–	–	V	
I_{ILP}	Input Current when Applying V_{ilp} to P1[0] or P1[1] During Programming or Verify	–	–	0.2	mA	Driving internal pull-down resistor.
I_{IHP}	Input Current when Applying V_{ihp} to P1[0] or P1[1] During Programming or Verify	–	–	1.5	mA	Driving internal pull-down resistor.
V_{OLV}	Output Low Voltage During Programming or Verify	–	–	$V_{ss} + 0.75$	V	
V_{OHV}	Output High Voltage During Programming or Verify	$V_{dd} - 1.0$	–	V_{dd}	V	
Flash_{ENPB}	Flash Endurance (per block)	1000	–	–	–	Erase/write cycles per block.
Flash_{ENT}	Flash Endurance (total) ^[10]	36,000	–	–	–	Erase/write cycles.
Flash_{DR}	Flash Data Retention	10	–	–	Years	

Note

10. A maximum of 36 x 1000 block endurance cycles is allowed. This may be balanced between operations on 36x1 blocks of 1000 maximum cycles each, 36x2 blocks of 500 maximum cycles each, or 36x4 blocks of 250 maximum cycles each (to limit the total number of cycles to 36x1000 and that no single block ever sees more than 1000 cycles).

For the full industrial range, the user must employ a temperature sensor user module (FlashTemp) and feed the result to the temperature argument before writing. Refer to the Flash APIs Application Note AN2015 at <http://www.cypress.com> under Application Notes for more information.

AC Electrical Characteristics

AC Chip Level Specifications

Table 19 lists guaranteed maximum and minimum specifications for the voltage and temperature ranges: 4.75V to 5.25V and $-40^{\circ}\text{C} \leq T_A \leq 85^{\circ}\text{C}$, or 3.0V to 3.6V and $-40^{\circ}\text{C} \leq T_A \leq 85^{\circ}\text{C}$, respectively. Typical parameters apply to 5V and 3.3V at 25°C. These are for design guidance only.

Table 19. AC Chip Level Specifications

Symbol	Description	Min	Typ	Max	Units	Notes
F _{IMO245V}	Internal Main Oscillator Frequency for 24 MHz (5V)	23.04	24	24.96 ^[11, 12]	MHz	Trimmed for 5V operation using factory trim values.
F _{IMO243V}	Internal Main Oscillator Frequency for 24 MHz (3.3V)	22.08	24	25.92 ^[12, 13]	MHz	Trimmed for 3.3V operation using factory trim values.
F _{CPU1}	CPU Frequency (5V Nominal)	0.93	24	24.96 ^[11, 12]	MHz	
F _{CPU2}	CPU Frequency (3.3V Nominal)	0.93	12	12.96 ^[12, 13]	MHz	
F _{BLK5}	Digital PSoC Block Frequency (5V Nominal)	0	48	49.92 ^[11, 12, 14]	MHz	Refer to the AC digital block specifications.
F _{BLK3}	Digital PSoC Block Frequency (3.3V Nominal)	0	24	25.92 ^[12, 14]	MHz	
F _{32K1}	Internal Low Speed Oscillator Frequency	15	32	64	kHz	Trimmed. During power up, ILO is untrimmed and minimum is 5 kHz
Jitter32k	32 kHz Period Jitter	–	100		ns	
Step24M	24 MHz Trim Step Size	–	50	–	kHz	
F _{out48M}	48 MHz Output Frequency	46.08	48.0	49.92 ^[11, 13]	MHz	Trimmed. Utilizing factory trim values.
Jitter24M1	24 MHz Period Jitter (IMO) Peak-to-Peak	–	300		ps	
F _{MAX}	Maximum Frequency of Signal on Row Input or Row Output.	–	–	12.96	MHz	
T _{RAMP}	Supply Ramp Time	20	–	–	μs	

Figure 5. 24 MHz Period Jitter (IMO) Timing Diagram



Notes

- 11. 4.75V < Vdd < 5.25V.
- 12. Accuracy derived from Internal Main Oscillator with appropriate trim for Vdd range.
- 13. 3.0V < Vdd < 3.6V. See Application Note AN2012 "Adjusting PSoC Microcontroller Trims for Dual Voltage-Range Operation" for information on trimming for operation at 3.3V.
- 14. See the individual user module data sheets for information on maximum frequencies for user modules.

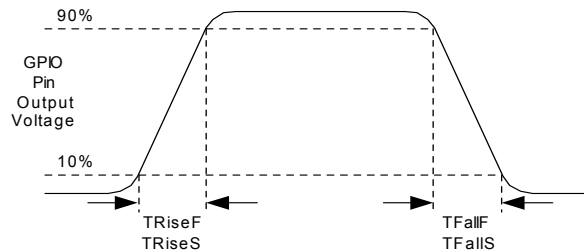
AC General Purpose IO Specifications

Table 20 lists guaranteed maximum and minimum specifications for the voltage and temperature ranges: 4.75V to 5.25V and $-40^{\circ}\text{C} \leq T_A \leq 85^{\circ}\text{C}$, or 3.0V to 3.6V and $-40^{\circ}\text{C} \leq T_A \leq 85^{\circ}\text{C}$, respectively. Typical parameters apply to 5V and 3.3V at 25°C . These are for design guidance only.

Table 20. AC GPIO Specifications

Symbol	Description	Min	Typ	Max	Units	Notes
F_{GPIO}	GPIO Operating Frequency	0	–	12	MHz	Normal Strong Mode
T_{RiseF}	Rise Time, Normal Strong Mode, Cloud = 50 pF	3	–	18	ns	Vdd = 4.5 to 5.25V, 10% - 90%
T_{FallF}	Fall Time, Normal Strong Mode, Cloud = 50 pF	2	–	18	ns	Vdd = 4.5 to 5.25V, 10% - 90%
T_{RiseS}	Rise Time, Slow Strong Mode, Cloud = 50 pF	10	27	–	ns	Vdd = 3 to 5.25V, 10% - 90%
T_{FallS}	Fall Time, Slow Strong Mode, Cloud = 50 pF	10	22	–	ns	Vdd = 3 to 5.25V, 10% - 90%

Figure 6. GPIO Timing Diagram



AC Operational Amplifier Specifications

Table 21 and Table 22 list guaranteed maximum and minimum specifications for the voltage and temperature ranges: 4.75V to 5.25V and $-40^{\circ}\text{C} \leq T_A \leq 85^{\circ}\text{C}$, or 3.0V to 3.6V and $-40^{\circ}\text{C} \leq T_A \leq 85^{\circ}\text{C}$, respectively. Typical parameters apply to 5V and 3.3V at 25°C . These are for design guidance only.

Settling times, slew rates, and gain bandwidth are based on the Analog Continuous Time PSoC block.

Power = High and Opamp Bias = High is not supported at 3.3V.

Table 21. 5V AC Operational Amplifier Specifications

Symbol	Description	Min	Typ	Max	Units
T_{ROA}	Rising Settling Time from 80% of ΔV to 0.1% of ΔV (10 pF load, Unity Gain)	–	–	3.9	μs
	Power = Low, Opamp Bias = Low	–	–	0.72	μs
	Power = Medium, Opamp Bias = High	–	–	0.62	μs
T_{SOA}	Falling Settling Time from 20% of ΔV to 0.1% of ΔV (10 pF load, Unity Gain)	–	–	5.9	μs
	Power = Low, Opamp Bias = Low	–	–	0.92	μs
	Power = Medium, Opamp Bias = High	–	–	0.72	μs
SR_{ROA}	Rising Slew Rate (20% to 80%)(10 pF load, Unity Gain)	0.15	–	–	$\text{V}/\mu\text{s}$
	Power = Low, Opamp Bias = Low	1.7	–	–	$\text{V}/\mu\text{s}$
	Power = Medium, Opamp Bias = High	6.5	–	–	$\text{V}/\mu\text{s}$
	Power = High, Opamp Bias = High	–	–	–	$\text{V}/\mu\text{s}$
SR_{FOA}	Falling Slew Rate (20% to 80%)(10 pF load, Unity Gain)	0.01	–	–	$\text{V}/\mu\text{s}$
	Power = Low, Opamp Bias = Low	0.5	–	–	$\text{V}/\mu\text{s}$
	Power = Medium, Opamp Bias = High	4.0	–	–	$\text{V}/\mu\text{s}$
	Power = High, Opamp Bias = High	–	–	–	$\text{V}/\mu\text{s}$

Table 21. 5V AC Operational Amplifier Specifications (continued)

Symbol	Description	Min	Typ	Max	Units
BW _{OA}	Gain Bandwidth Product				
	Power = Low, Opamp Bias = Low	0.75	–	–	MHz
	Power = Medium, Opamp Bias = High	3.1	–	–	MHz
	Power = High, Opamp Bias = High	5.4	–	–	MHz
E _{NOA}	Noise at 1 kHz (Power = Medium, Opamp Bias = High)	–	100	–	nV/rt-Hz

Table 22. 3.3V AC Operational Amplifier Specifications

Symbol	Description	Min	Typ	Max	Units
T _{ROA}	Rising Settling Time from 80% of ΔV to 0.1% of ΔV (10 pF load, Unity Gain)	–	–	3.92	μ s
	Power = Low, Opamp Bias = Low	–	–	0.72	μ s
	Power = Medium, Opamp Bias = High				
T _{SOA}	Falling Settling Time from 20% of ΔV to 0.1% of ΔV (10 pF load, Unity Gain)	–	–	5.41	μ s
	Power = Low, Opamp Bias = Low	–	–	0.72	μ s
	Power = Medium, Opamp Bias = High				
SR _{ROA}	Rising Slew Rate (20% to 80%)(10 pF load, Unity Gain)	0.31	–	–	V/ μ s
	Power = Low, Opamp Bias = Low	2.7	–	–	V/ μ s
	Power = Medium, Opamp Bias = High				
SR _{FOA}	Falling Slew Rate (20% to 80%)(10 pF load, Unity Gain)	0.24	–	–	V/ μ s
	Power = Low, Opamp Bias = Low	1.8	–	–	V/ μ s
	Power = Medium, Opamp Bias = High				
BW _{OA}	Gain Bandwidth Product				
	Power = Low, Opamp Bias = Low	0.67	–	–	MHz
	Power = Medium, Opamp Bias = High	2.8	–	–	MHz
E _{NOA}	Noise at 1 kHz (Power = Medium, Opamp Bias = High)	–	100	–	nV/rt-Hz

AC Low Power Comparator Specifications

Table 23 lists guaranteed maximum and minimum specifications for the voltage and temperature ranges: 4.75V to 5.25V and $-40^{\circ}\text{C} \leq T_A \leq 85^{\circ}\text{C}$, 3.0V to 3.6V and $-40^{\circ}\text{C} \leq T_A \leq 85^{\circ}\text{C}$, or 2.4V to 3.0V and $-40^{\circ}\text{C} \leq T_A \leq 85^{\circ}\text{C}$, respectively. Typical parameters apply to 5V at 25°C. These are for design guidance only.

Table 23. AC Low Power Comparator Specifications

Symbol	Description	Min	Typ	Max	Units	Notes
T _{RLPC}	LPC Response Time	–	–	50	μ s	≥ 50 mV overdrive comparator reference set within V _{REFLPC} .

AC Digital Block Specifications

Table 24 lists guaranteed maximum and minimum specifications for the voltage and temperature ranges: 4.75V to 5.25V and $-40^{\circ}\text{C} \leq T_A \leq 85^{\circ}\text{C}$, or 3.0V to 3.6V and $-40^{\circ}\text{C} \leq T_A \leq 85^{\circ}\text{C}$, respectively. Typical parameters apply to 5V and 3.3V at 25°C . These are for design guidance only.

Table 24. AC Digital Block Specifications

Function	Description	Min	Typ	Max	Units	Notes
Timer	Capture Pulse Width	50 ^[15]	–	–	ns	
	Maximum Frequency, No Capture	–	–	49.92	MHz	4.75V < Vdd < 5.25V.
	Maximum Frequency, With Capture	–	–	25.92	MHz	
Counter	Enable Pulse Width	50 ^[15]	–	–	ns	
	Maximum Frequency, No Enable Input	–	–	49.92	MHz	4.75V < Vdd < 5.25V.
	Maximum Frequency, Enable Input	–	–	25.92	MHz	
Dead Band	Kill Pulse Width:					
	Asynchronous Restart Mode	20	–	–	ns	
	Synchronous Restart Mode	50 ^[15]	–	–	ns	
	Disable Mode	50 ^[15]	–	–	ns	
Maximum Frequency		–	–	49.92	MHz	4.75V < Vdd < 5.25V.
CRCPRS (PRS Mode)	Maximum Input Clock Frequency	–	–	49.92	MHz	4.75V < Vdd < 5.25V.
CRCPRS (CRC Mode)	Maximum Input Clock Frequency	–	–	24.6	MHz	
SPIM	Maximum Input Clock Frequency	–	–	8.2	MHz	Maximum data rate at 4.1 MHz due to 2 x over clocking.
SPIS	Maximum Input Clock Frequency	–	–	4.1	MHz	
	Width of SS_ Negated Between Transmissions	50 ^[15]	–	–	ns	
Transmitter	Maximum Input Clock Frequency	–	–	24.6	MHz	Maximum data rate at 3.08 MHz due to 8 x over clocking.
Receiver	Maximum Input Clock Frequency	–	–	24.6	MHz	Maximum data rate at 3.08 MHz due to 8 x over clocking.

Note

15. 50 ns minimum input pulse width is based on the input synchronizers running at 24 MHz (42 ns nominal period).

AC External Clock Specifications

Table 25 lists guaranteed maximum and minimum specifications for the voltage and temperature ranges: 4.75V to 5.25V and $-40^{\circ}\text{C} \leq T_A \leq 85^{\circ}\text{C}$, or 3.0V to 3.6V and $-40^{\circ}\text{C} \leq T_A \leq 85^{\circ}\text{C}$, respectively. Typical parameters apply to 5V and 3.3V at 25°C . These are for design guidance only.

Table 25. AC External Clock Specifications

Symbol	Description	Min	Typ	Max	Units	Notes
F _{OSCEXT}	Frequency	0	–	24.24	MHz	
–	High Period	20.6	–	–	ns	
–	Low Period	20.6	–	–	ns	
F _{OSCEXT}	Frequency	0	–	24.24	MHz	

AC Analog Output Buffer Specifications

Table 26 and Table 27 list guaranteed maximum and minimum specifications for the voltage and temperature ranges: 4.75V to 5.25V and $-40^{\circ}\text{C} \leq T_A \leq 85^{\circ}\text{C}$, or 3.0V to 3.6V and $-40^{\circ}\text{C} \leq T_A \leq 85^{\circ}\text{C}$, respectively. Typical parameters apply to 5V and 3.3V at 25°C . These are for design guidance only.

Table 26. 5V AC Analog Output Buffer Specifications

Symbol	Description	Min	Typ	Max	Units
T _{ROB}	Rising Settling Time to 0.1%, 1V Step, 100pF Load Power = Low Power = High	–	–	2.5	μs
		–	–	2.5	μs
T _{SOB}	Falling Settling Time to 0.1%, 1V Step, 100pF Load Power = Low Power = High	–	–	2.2	μs
		–	–	2.2	μs
SR _{ROB}	Rising Slew Rate (20% to 80%), 1V Step, 100pF Load Power = Low Power = High	0.65	–	–	V/μs
		0.65	–	–	V/μs
SR _{FOB}	Falling Slew Rate (80% to 20%), 1V Step, 100pF Load Power = Low Power = High	0.65	–	–	V/μs
		0.65	–	–	V/μs
BW _{OBSS}	Small Signal Bandwidth, 20mV _{pp} , 3dB BW, 100pF Load Power = Low Power = High	0.8	–	–	MHz
		0.8	–	–	MHz
BW _{OBLs}	Large Signal Bandwidth, 1V _{pp} , 3dB BW, 100pF Load Power = Low Power = High	300	–	–	kHz
		300	–	–	kHz

Table 27. 3.3V AC Analog Output Buffer Specifications

Symbol	Description	Min	Typ	Max	Units
T _{ROB}	Rising Settling Time to 0.1%, 1V Step, 100pF Load	–	–	3.8	μs
	Power = Low Power = High	–	–	3.8	μs
T _{SOB}	Falling Settling Time to 0.1%, 1V Step, 100pF Load	–	–	2.6	μs
	Power = Low Power = High	–	–	2.6	μs
SR _{ROB}	Rising Slew Rate (20% to 80%), 1V Step, 100pF Load	0.5	–	–	V/μs
	Power = Low Power = High	0.5	–	–	V/μs
SR _{FOB}	Falling Slew Rate (80% to 20%), 1V Step, 100pF Load	0.5	–	–	V/μs
	Power = Low Power = High	0.5	–	–	V/μs
BW _{OBSS}	Small Signal Bandwidth, 20mV _{pp} , 3dB BW, 100pF Load	0.7	–	–	MHz
	Power = Low Power = High	0.7	–	–	MHz
BW _{OBL5}	Large Signal Bandwidth, 1V _{pp} , 3dB BW, 100pF Load	200	–	–	kHz
	Power = Low Power = High	200	–	–	kHz

AC Programming Specifications

Table 28 lists guaranteed maximum and minimum specifications for the voltage and temperature ranges: 4.75V to 5.25V and -40°C ≤ T_A ≤ 85°C, or 3.0V to 3.6V and -40°C ≤ T_A ≤ 85°C, respectively. Typical parameters apply to 5V and 3.3V at 25°C. These are for design guidance only.

Table 28. AC Programming Specifications

Symbol	Description	Min	Typ	Max	Units	Notes
T _{RSCLK}	Rise Time of SCLK	1	–	20	ns	
T _{FSCLK}	Fall Time of SCLK	1	–	20	ns	
T _{SSCLK}	Data Setup Time to Falling Edge of SCLK	40	–	–	ns	
T _{HSCLK}	Data Hold Time from Falling Edge of SCLK	40	–	–	ns	
F _{SCLK}	Frequency of SCLK	0	–	8	MHz	
T _{ERASE B}	Flash Erase Time (Block)	–	10	–	ms	
T _{WRITE}	Flash Block Write Time	–	30	–	ms	
T _{DSCLK}	Data Out Delay from Falling Edge of SCLK	–	–	45	ns	V _{dd} > 3.6
T _{DSCLK3}	Data Out Delay from Falling Edge of SCLK	–	–	50	ns	3.0 ≤ V _{dd} ≤ 3.6

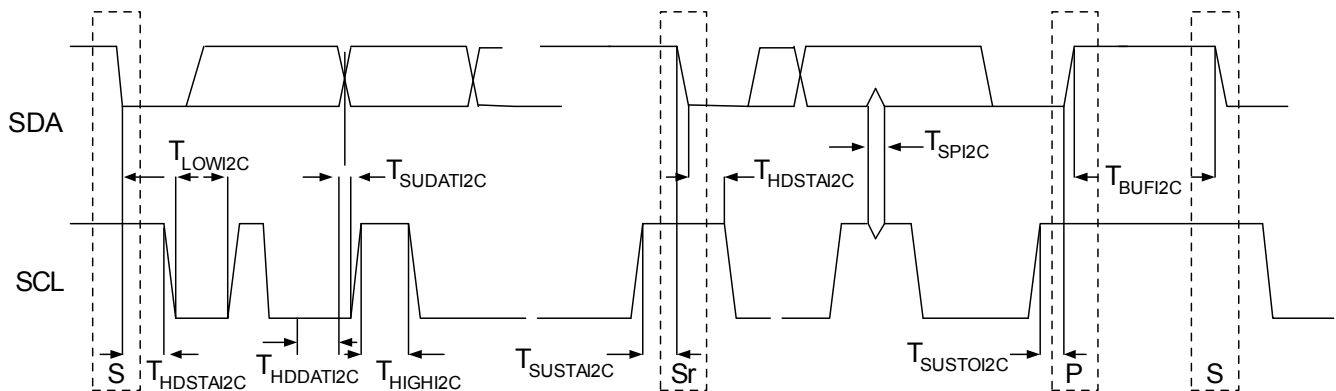
AC I²C Specifications

Table 29 lists guaranteed maximum and minimum specifications for the voltage and temperature ranges: 4.75V to 5.25V and -40°C ≤ T_A ≤ 85°C, or 3.0V to 3.6V and -40°C ≤ T_A ≤ 85°C, respectively. Typical parameters apply to 5V and 3.3V at 25°C. These are for design guidance only.

Table 29. AC Characteristics of the I²C SDA and SCL Pins for V_{DD}

Symbol	Description	Standard Mode		Fast Mode		Units	Notes
		Min	Max	Min	Max		
F _{SCL I2C}	SCL Clock Frequency	0	100	0	400	kHz	
T _{HDSTA I2C}	Hold Time (repeated) START Condition. After this period, the first clock pulse is generated.	4.0	–	0.6	–	μs	
T _{LOW I2C}	LOW Period of the SCL Clock	4.7	–	1.3	–	μs	
T _{HIGH I2C}	HIGH Period of the SCL Clock	4.0	–	0.6	–	μs	
T _{SUSTA I2C}	Setup Time for a Repeated START Condition	4.7	–	0.6	–	μs	
T _{HDDAT I2C}	Data Hold Time	0	–	0	–	μs	
T _{SUDAT I2C}	Data Setup Time	250	–	100 ^[16]	–	ns	
T _{SUSTO I2C}	Setup Time for STOP Condition	4.0	–	0.6	–	μs	
T _{BUFI2C}	Bus Free Time Between a STOP and START Condition	4.7	–	1.3	–	μs	
T _{SPI2C}	Pulse Width of Spikes are Suppressed by the Input Filter.	–	–	0	50	ns	

Figure 7. Definition for Timing for Fast/Standard Mode on the I²C Bus



Note

16. A Fast-Mode I2C-bus device can be used in a Standard-Mode I2C-bus system, but the requirement t_{SU:DAT} ≥ 250 ns must then be met. This is automatically the case if the device does not stretch the LOW period of the SCL signal. If such device does stretch the LOW period of the SCL signal, it must output the next data bit to the SDA line t_{rmax} + t_{SU:DAT} = 1000 + 250 = 1250 ns (according to the Standard-Mode I2C-bus specification) before the SCL line is released.

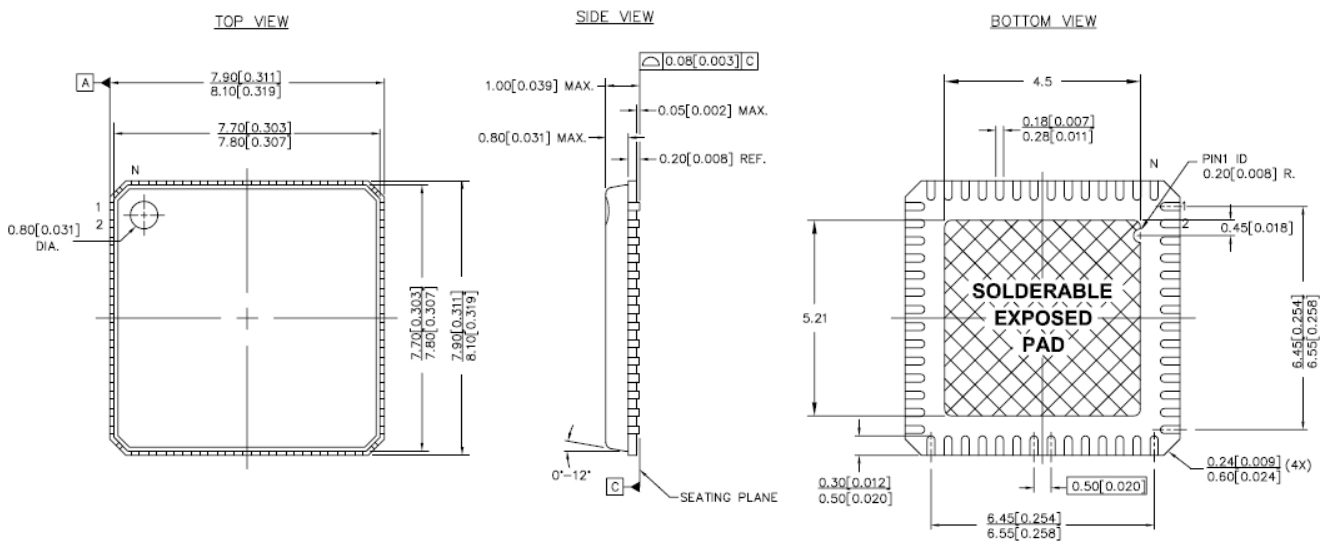
Packaging Information

This section illustrates the package specification for the CY8CTMG120 TrueTouch devices, along with the thermal impedance for the package and solder reflow peak temperatures.


It is important to note that emulation tools may require a larger area on the target PCB than the chip's footprint. For a detailed description of the emulation tools' dimensions, refer to the document titled *PSoC Emulator Pod Dimensions* at <http://www.cypress.com/design/MR10161>. For information on the preferred dimensions for mounting QFN packages, see the following Application Note at http://www.amkor.com/products/notes_papers/MLFAppNote.pdf.

Pinned vias for thermal conduction are not required for the low power PSoC device.

Figure 8. 56-Pin (8x8 mm) QFN



NOTES:

1.  HATCH AREA IS SOLDERABLE EXPOSED METAL.
2. REFERENCE JEDEC#: MO-220
3. PACKAGE WEIGHT: 0.162g
4. ALL DIMENSIONS ARE IN MM [MIN/MAX]
5. PACKAGE CODE

PART #	DESCRIPTION
LF56A	STANDARD
LY56A	PB-FREE

001-12921 **

Thermal Impedance for the Package

Package	Typical θ_{JA} ^[17]
56 QFN ^[18]	12.93 °C/W

Solder Reflow Peak Temperature

Following is the minimum solder reflow peak temperature to achieve good solderability.

Package	Minimum Peak Temperature ^[19]	Maximum Peak Temperature
56 QFN	240°C	260°C

Notes

17. $T_J = T_A + \text{Power} \times \theta_{JA}$.

18. To achieve the thermal impedance specified for the ** package, the center thermal pad is soldered to the PCB ground plane.

19. Higher temperatures is required based on the solder melting point. Typical temperatures for solder are 220 ± 5°C with Sn-Pb or 245 ± 5°C with Sn-Ag-Cu paste. Refer to the solder manufacturer specifications.

Development Tool Selection

Software

PSoC Designer

At the core of the PSoC development software suite is PSoC Designer. Used by thousands of PSoC developers, this software has been facilitating PSoC designs for the last five years. PSoC Designer is available free of charge at <http://www.cypress.com> under Design Resources >> Software and Drivers.

PSoC Programmer

Flexible enough to be used on the bench in development, yet suitable for factory programming, PSoC Programmer works either as a standalone programming application or it can operate directly from PSoC Designer or PSoC Express. PSoC Programmer software is compatible with both PSoC ICE-Cube In-Circuit Emulator and PSoC MiniProg. PSoC programmer is available free of charge at <http://www.cypress.com/psocprogrammer>.

Evaluation Tools

All evaluation tools can be purchased from the Cypress Online Store.

CY3210-MiniProg1

The CY3210-MiniProg1 kit enables a user to program PSoC devices through the MiniProg1 programming unit. The MiniProg is a small, compact prototyping programmer that connects to the PC through a provided USB 2.0 cable. The kit includes:

- MiniProg Programming Unit
- MiniEval Socket Programming and Evaluation Board
- 28-Pin CY8C29466-24PXI PDIP PSoC Device Sample
- 28-Pin CY8C27443-24PXI PDIP PSoC Device Sample
- PSoC Designer Software CD
- Getting Started Guide
- USB 2.0 Cable

Device Programmers

All device programmers can be purchased from the Cypress Online Store.

CY3216 Modular Programmer

The CY3216 Modular Programmer kit features a modular programmer and the MiniProg1 programming unit. The modular programmer includes three programming module cards and supports multiple Cypress products. The kit includes:

- Modular Programmer Base
- 3 Programming Module Cards
- MiniProg Programming Unit
- PSoC Designer Software CD
- Getting Started Guide
- USB 2.0 Cable

CY3207ISSP In-System Serial Programmer (ISSP)

The CY3207ISSP is a production programmer. It includes protection circuitry and an industrial case that is more robust than the MiniProg in a production-programming environment.

Note: CY3207ISSP needs special software and is not compatible with PSoC Programmer. The kit includes:

- CY3207 Programmer Unit
- PSoC ISSP Software CD
- 110 ~ 240V Power Supply, Euro-Plug Adapter
- USB 2.0 Cable

Accessories (Emulation and Programming)

Third Party Tools

Several tools have been specially designed by the following 3rd-party vendors to accompany PSoC devices during development and production. Specific details for each of these tools can be found at <http://www.cypress.com> under Design Resources > Evaluation Boards.

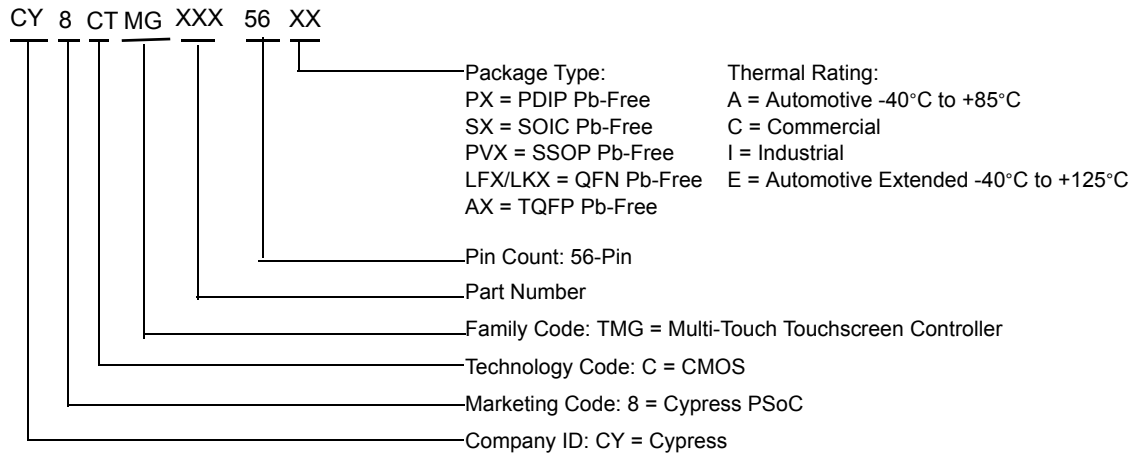
Build a PSoC Emulator into Your Board

For details on how to emulate your circuit before going to volume production using an on-chip debug (OCD) non-production PSoC device, see application note [AN2323](#) "Debugging - Build a PSoC Emulator into Your Board".

Ordering Information.

Package	Ordering Code	Flash (Bytes)	SRAM (Bytes)	Temperature Range	Single-Touch Enabled	Multi-Touch Gesture Enabled	Multi-Touch All-Point Enabled	X/Y Sensor Inputs
56-Pin (8x8 mm) QFN	CY8CTMG120-56LFXA	16K	1K	-40C to +85C	Y	Y	N	Up to 44
56-Pin (8x8 mm) QFN (Tape and Reel)	CY8CTMG120-56LFXAT	16K	1K	-40C to +85C	Y	Y	N	Up to 44

Ordering Code Definitions



Document History Page

Document Title: CY8CTMG120 Automotive TrueTouch™ Multi-Touch Gesture Touchscreen Controller				
Document Number: 001-53868				
Revision	ECN	Orig. of Change	Submission Date	Description of Change
**	2732561	MASJ/AESA	06/09/2009	New data sheet

Sales, Solutions, and Legal Information

Worldwide Sales and Design Support

Cypress maintains a worldwide network of offices, solution centers, manufacturer’s representatives, and distributors. To find the office closest to you, visit us at cypress.com/sales.

Products

- PSoC psoc.cypress.com
- Clocks & Buffers clocks.cypress.com
- Wireless wireless.cypress.com
- Memories memory.cypress.com
- Image Sensors image.cypress.com

© Cypress Semiconductor Corporation, 2009. The information contained herein is subject to change without notice. Cypress Semiconductor Corporation assumes no responsibility for the use of any circuitry other than circuitry embodied in a Cypress product. Nor does it convey or imply any license under patent or other rights. Cypress products are not warranted nor intended to be used for medical, life support, life saving, critical control or safety applications, unless pursuant to an express written agreement with Cypress. Furthermore, Cypress does not authorize its products for use as critical components in life-support systems where a malfunction or failure may reasonably be expected to result in significant injury to the user. The inclusion of Cypress products in life-support systems application implies that the manufacturer assumes all risk of such use and in doing so indemnifies Cypress against all charges.

Any Source Code (software and/or firmware) is owned by Cypress Semiconductor Corporation (Cypress) and is protected by and subject to worldwide patent protection (United States and foreign), United States copyright laws and international treaty provisions. Cypress hereby grants to licensee a personal, non-exclusive, non-transferable license to copy, use, modify, create derivative works of, and compile the Cypress Source Code and derivative works for the sole purpose of creating custom software and or firmware in support of licensee product to be used only in conjunction with a Cypress integrated circuit as specified in the applicable agreement. Any reproduction, modification, translation, compilation, or representation of this Source Code except as specified above is prohibited without the express written permission of Cypress.

Disclaimer: CYPRESS MAKES NO WARRANTY OF ANY KIND, EXPRESS OR IMPLIED, WITH REGARD TO THIS MATERIAL, INCLUDING, BUT NOT LIMITED TO, THE IMPLIED WARRANTIES OF MERCHANTABILITY AND FITNESS FOR A PARTICULAR PURPOSE. Cypress reserves the right to make changes without further notice to the materials described herein. Cypress does not assume any liability arising out of the application or use of any product or circuit described herein. Cypress does not authorize its products for use as critical components in life-support systems where a malfunction or failure may reasonably be expected to result in significant injury to the user. The inclusion of Cypress’ product in a life-support systems application implies that the manufacturer assumes all risk of such use and in doing so indemnifies Cypress against all charges.

Use may be limited by and subject to the applicable Cypress software license agreement.