

## enCoRe™ II Low-Speed USB Peripheral Controller

### 1.0 Features

- **enCoRe™ II USB**—“enhanced Component Reduction”
  - Crystalless oscillator with support for an external crystal or resonator. The internal oscillator eliminates the need for an external crystal or resonator
  - Internal 3.3V regulator and internal USB pull-up resistor
  - Configurable IO for real-world interface without external components
- **USB Specification Compliance**
  - Conforms to USB Specification, Version 2.0
  - Conforms to USB HID Specification, Version 1.1
  - Supports one Low-Speed USB device address
  - Supports one control endpoint and two data endpoints
  - Integrated USB transceiver
- **Enhanced 8-bit microcontroller**
  - Harvard architecture
  - M8C CPU speed can be up to 24 MHz or sourced by an external crystal, resonator, or signal
- **Internal memory**
  - Up to 256 bytes of RAM
  - Up to eight Kbytes of Flash including EEROM emulation
- **Interface can auto-configure to operate as PS/2 or USB**
  - No external components for switching between PS/2 and USB modes
  - No GPIO pins needed to manage dual-mode capability
- **Low power consumption**
  - Typically 10 mA at 6 MHz
  - 10- $\mu$ A sleep
- **In-system re-programmability**
  - Allows easy firmware update
- **General-purpose I/O ports**
  - Up to 36 General Purpose I/O (GPIO) pins
  - High current drive on GPIO pins. Configurable 8- or 50-mA/pin current sink on designated pins
  - Each GPIO port supports high-impedance inputs, configurable pull-up, open drain output, CMOS/TTL inputs, and CMOS output
  - Maskable interrupts on all I/O pins
- **125-mA 3.3V voltage regulator can power external 3.3V devices**
- **3.3V I/O pins**
  - 4 I/O pins with 3.3V logic levels
  - Each 3.3V pin supports high-impedance input, internal pull-up, open drain output or traditional CMOS output
- **SPI serial communication**
  - Master or slave operation
  - Configurable up to 2-Mbit/second transfers
  - Supports half duplex single data line mode for optical sensors
- **2-channel 8-bit or 1-channel 16-bit capture timer. Capture timers registers store both rising and falling edge times**
  - Two registers each for two input pins
  - Separate registers for rising and falling edge capture
  - Simplifies interface to RF inputs for wireless applications
- **Internal low-power wake-up timer during suspend mode**
  - Periodic wake-up with no external components
- **Programmable Interval Timer interrupts**
- **Reduced RF emissions at 27 MHz and 96 MHz**
- **Advanced development tools based on Cypress MicroSystems PSoC™ tools**
- **Watchdog timer (WDT)**
- **Low-voltage detection with user-configurable threshold voltages**
- **Improved output drivers to reduce EMI**
- **Operating voltage from 4.0V to 5.25VDC**
- **Operating temperature from 0–70°C**
- **Available in 16/18/24/40-pin PDIP, 16/18/24-pin SOIC, 24-pin QSOP, 28/48-pin SSOP, and DIE form**
- **Industry standard programmer support**

### 1.1 Applications

The CY7C633xx/CY7C638xx/CY7C639xx is targeted for the following applications:

- PC HID devices
  - Mice (optomechanical, optical, trackball)
  - Keyboards
- Gaming
  - Joysticks
  - Game pads
  - Console keyboards
- General-purpose
  - Barcode scanners
  - POS terminal
  - Consumer electronics
  - Toys
  - Remote controls

## 2.0 Introduction

Cypress has reinvented its leadership position in the low-speed USB market with a new family of innovative microcontrollers. Introducing enCoRe II USB — “enhanced Component Reduction.” Cypress has leveraged its design expertise in USB solutions to advance its family of low-speed USB microcontrollers, which enable peripheral developers to design new products with a minimum number of components. The enCoRe II USB technology builds on to the enCoRe family. The enCoRe family has an integrated oscillator that eliminates the external crystal or resonator, reducing overall cost. Also integrated into this chip are other external components commonly found in low-speed USB applications such as pull-up resistors, wake-up circuitry, and a 3.3V regulator.

All of this adds up to a lower system cost.

The enCoRe II is an 8-bit Flash-programmable microcontroller with integrated low-speed USB interface. The instruction set has been optimized specifically for USB and PS/2 operations, although the microcontrollers can be used for a variety of other embedded applications.

The enCoRe II features up to 36 general-purpose I/O (GPIO) pins to support USB, PS/2 and other applications. The I/O pins are grouped into five ports (Port 0 to 4). The pins on Port 0 and Port 1 may each be configured individually while the pins on Ports 2, 3, and 4 may only be configured as a group. Each GPIO port supports high-impedance inputs, configurable pull-up, open drain output, CMOS/TTL inputs, and CMOS output with up to five pins that support programmable drive strength of up to 50-mA sink current. GPIO Port 1 features four pins that interface at a voltage level of 3.3 volts. Additionally, each I/O pin can be used to generate a GPIO interrupt to the microcontroller. Each GPIO port has its own GPIO interrupt vector with the exception of GPIO Port 0. GPIO Port 0 has three dedicated pins that have independent interrupt vectors (P0.2 - P0.4).

The enCoRe II features an internal oscillator. With the presence of USB traffic, the internal oscillator can be set to precisely tune to USB timing requirements (24 MHz  $\pm$ 1.5%). Optionally, an external 12-MHz or 24-MHz crystal can be used to provide a higher precision reference for USB operation. The clock generator provides the 12-MHz and 24-MHz clocks that remain internal to the microcontroller.

The enCoRe II has up to eight Kbytes of Flash for user’s code and up to 256 bytes of RAM for stack space and user variables.

In addition, the enCoRe II includes a Watchdog timer, a vectored interrupt controller, a 16-bit Free-Running Timer, and Capture Timers. The Power-on reset circuit detects logic when power is applied to the device, generates resets the logic to a known state, and begins executing instructions at Flash address 0x0000. When power falls below a programmable trip voltage generates reset or may be configured to generate interrupt. There is a Low-voltage detect circuit that detects when  $V_{CC}$  drops below a programmable trip voltage. It may be configurable to generate an LVD interrupt to inform the processor about the low-voltage event. POR and LVD share

the same interrupt. There is no separate interrupt for each. The Watchdog timer can be used to ensure the firmware never gets stalled in an infinite loop.

The microcontroller supports 23 maskable interrupts in the vectored interrupt controller. Interrupt sources include a USB bus reset, LVR/POR, a programmable interval timer, a 1.024-ms output from the Free Running Timer, three USB endpoints, two capture timers, five GPIO Ports, three GPIO pins, two SPI, a 16-bit free running timer wrap, an internal wake-up timer, and a bus active interrupt. The wake-up timer causes periodic interrupts when enabled. The USB endpoints interrupt after a USB transaction complete is on the bus. The capture timers interrupt whenever a new timer value is saved due to a selected GPIO edge event. A total of eight GPIO interrupts support both TTL or CMOS thresholds. For additional flexibility, on the edge sensitive GPIO pins, the interrupt polarity is programmable to be either rising or falling.

The free-running 16-bit timer provides two interrupt sources: the programmable interval timer with 1- $\mu$ s resolution and the 1.024-ms outputs. The timer can be used to measure the duration of an event under firmware control by reading the timer at the start and at the end of an event, then calculating the difference between the two values. The two 8-bit capture timers save a programmable 8-bit range of the free-running timer when a GPIO edge occurs on the two capture pins (P0.5, P0.6). The two 8-bit captures can be ganged into a single 16-bit capture.

The enCoRe II includes an integrated USB serial interface engine (SIE) that allows the chip to easily interface to a USB host. The hardware supports one USB device address with three endpoints.

The USB D+ and D- pins can optionally be used as PS/2 SCLK and SDATA signals so that products can be designed to respond to either USB or PS/2 modes of operation. PS/2 operation is supported with internal 5-K $\Omega$  pull-up resistors on P1.0 (D+) and P1.1 (D-) and an interrupt to signal the start of PS/2 activity. In USB mode, the integrated 1.5-K $\Omega$  pull-up resistor on D- can be controlled under firmware. No external components are necessary for dual USB and PS/2 systems, and no GPIO pins need to be dedicated to switching between modes. Slow edge rates operate in both modes to reduce EMI.

The enCoRe II supports in-system programming by using the D+ and D- pins as the serial programming mode interface. The programming protocol is not USB.

## 3.0 Conventions

In this document, bit positions in the registers are shaded to indicate which members of the enCoRe II family implement the bits.

	Available in all enCoRe II family members
	CY7C639xx and CY7C638xx only
	CY7C639xx only

## 4.0 Logic Block Diagram

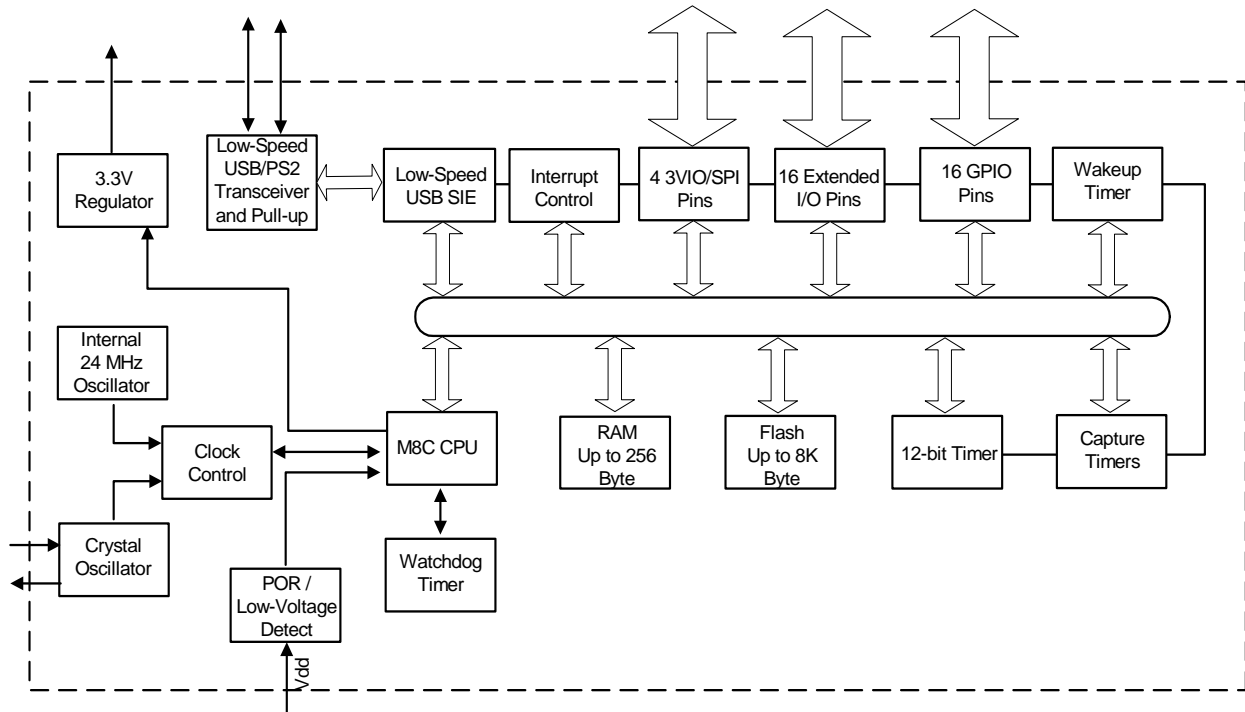


Figure 4-1. CY7C633xx/CY7C638xx/CY7C639xx Block Diagram

## 5.0 Packages/Pinouts

### Top View

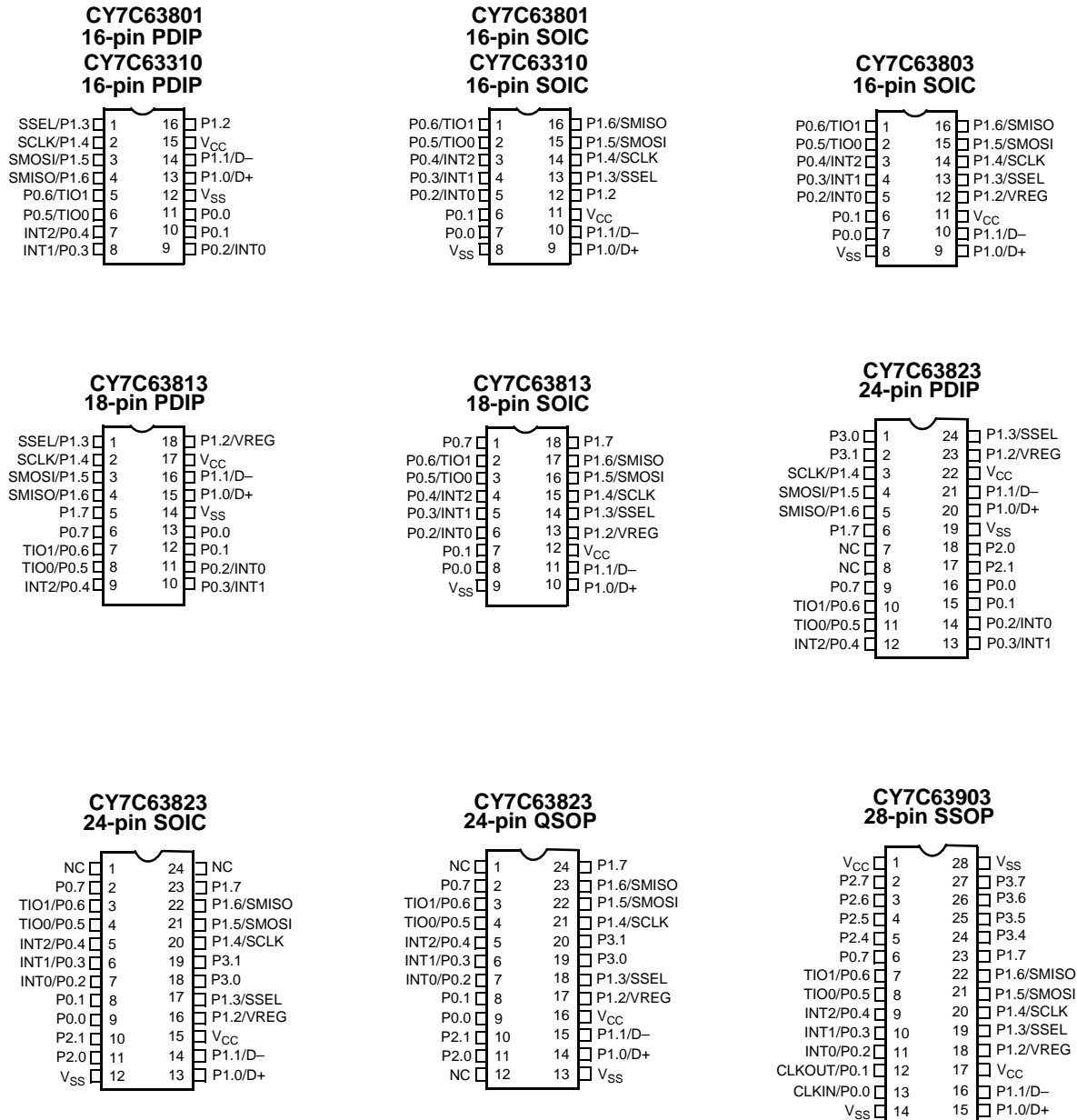


Figure 5-1. Package Configurations

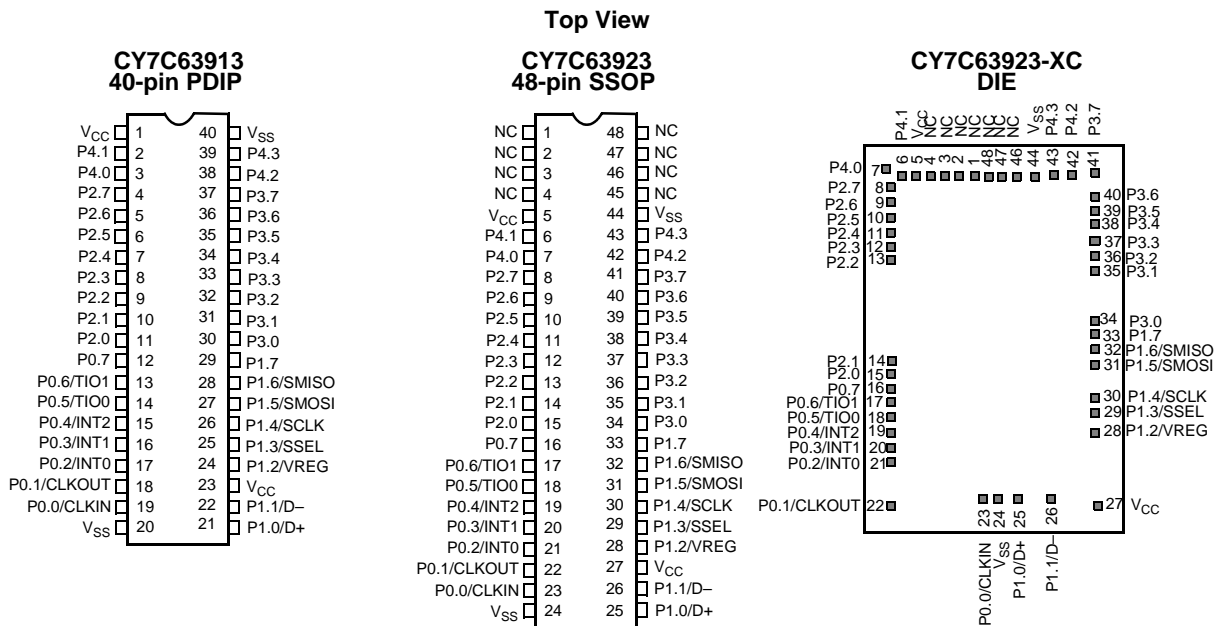


Figure 5-1 Package Configurations (continued)

### 5.1 Pinouts Assignments

Table 5-1. Pin Assignments

48 SSOP	40 PDIP	28 SSOP	24 QSOP	24 SOIC	24 PDIP	18 SIOC	18 PDIP	16 SOIC	16 PDIP	Die Pad	Name	Description
7	3									7	P4.0	GPIO Port 4 – configured as a group (nibble)
6	2								6	P4.1		
42	38								42	P4.2		
43	39								43	P4.3		
34	30		19	18	1					34	P3.0	GPIO Port 3 – configured as a group (byte)
35	31		20	19	2					35	P3.1	
36	32									36	P3.2	
37	33									37	P3.3	
38	34	24								38	P3.4	
39	35	25								39	P3.5	
40	36	26								40	P3.6	
41	37	27								41	P3.7	
15	11		11	11	18					15	P2.0	GPIO Port 2 – configured as a group (byte)
14	10		10	10	17					14	P2.1	
13	9									13	P2.2	
12	8									12	P2.3	
11	7	5								11	P2.4	
10	6	4								10	P2.5	
9	5	3								9	P2.6	
8	4	2								8	P2.7	

**Table 5-1. Pin Assignments** (continued)

48 SSOP	40 PDIP	28 SSOP	24 QSOP	24 SOIC	24 PDIP	18 SIOC	18 PDIP	16 SOIC	16 PDIP	Die Pad	Name	Description
25	21	15	14	13	20	10	15	9	13	25	P1.0/D+	GPIO Port 1 bit 0 / USB D+ <sup>[1]</sup>
26	22	16	15	14	21	11	16	10	14	26	P1.1/D-	GPIO Port 1 bit 1 / USB D- <sup>[1]</sup>
28	24	18	17	16	23	13	18	12	16	28	P1.2/VREG	GPIO Port 1 bit 2—Configured individually. 3.3V if regulator is enabled. (The 3.3V regulator is not available in the CY7C63310 and CY7C63801.)
29	25	19	18	17	24	14	1	13	1	29	P1.3/SSEL	GPIO Port 1 bit 3—Configured individually. Alternate function is SSEL signal of the SPI bus TTL voltage thresholds
30	26	20	21	20	3	15	2	14	2	30	P1.4/SCLK	GPIO Port 1 bit 4—Configured individually. Alternate function is SCLK signal of the SPI bus TTL voltage thresholds
31	27	21	22	21	4	16	3	15	3	31	P1.5/SMOSI	GPIO Port 1 bit 5—Configured individually. Alternate function is SMOSI signal of the SPI bus TTL voltage thresholds
32	28	22	23	22	5	17	4	16	4	32	P1.6/SMISO	GPIO Port 1 bit 6—Configured individually. Alternate function is SMISO signal of the SPI bus TTL voltage thresholds
33	29	23	24	23	6	18	5			33	P1.7	GPIO Port 1 bit 7—Configured individually. TTL voltage threshold.
23	19	13	9	9	16	8	13	7	11	23	P0.0/CLKIN	GPIO Port 0 bit 0—Configured individually. On CY7C639xx, optional Clock In when external crystal oscillator is disabled or crystal input when external crystal oscillator is enabled. On CY7C638xx and CY7C63310, oscillator input when configured as Clock In
22	18	12	8	8	15	7	12	6	10	22	P0.1 / CLKOUT	GPIO Port 0 bit 1—Configured individually. On CY7C639xx, optional clock out when external crystal oscillator is disabled or crystal output drive when external crystal oscillator is enabled. On CY7C638xx and CY7C63310, oscillator output when configured as Clock out.
21	17	11	7	7	14	6	11	5	9	21	P0.2/INT0	GPIO port 0 bit 2—Configured individually. Optional rising edge interrupt INT0
20	16	10	6	6	13	5	10	4	8	20	P0.3/INT1	GPIO port 0 bit 3—Configured individually. Optional rising edge interrupt INT1
19	15	9	5	5	12	4	9	3	7	19	P0.4/INT2	GPIO port 0 bit 4—Configured individually. Optional rising edge interrupt INT2
18	14	8	4	4	11	3	8	2	6	18	P0.5/TIO0	GPIO port 0 bit 5—Configured individually. Alternate function Timer capture inputs or Timer output TIO0
17	13	7	3	3	10	2	7	1	5	17	P0.6/TIO1	GPIO port 0 bit 6—Configured individually. Alternate function Timer capture inputs or Timer output TIO1
16	12	6	2	2	9	1	6			16	P0.7	GPIO port 0 bit 7—Configured individually. Not in 16 pin PDIP or SOIC package
1,2,3,4			1	1	7					1,2,3,4	NC	No connect

**Note:**

1. P1.0(D+) and P1.1(D-) pins should be in I/O mode when used as GPIO and in I<sub>SB</sub> mode.

**Table 5-1. Pin Assignments** (continued)

48 SSOP	40 PDIP	28 SSOP	24 QSOP	24 SOIC	24 PDIP	18 SIOC	18 PDIP	16 SOIC	16 PDIP	Die Pad	Name	Description
45,46,47,48			12	24	8					45,46,47,48	NC	No connect
5	1									5	V <sub>CC</sub>	Power
27	23	1	16	15	22	12	17	11	15	27		
44	40		–	–	–	–				44	V <sub>SS</sub>	Ground
24	20	28	13	12	19	9	14	8	12	24		

## 6.0 CPU Architecture

This family of microcontrollers is based on a high performance, 8-bit, Harvard-architecture microprocessor. Five registers control the primary operation of the CPU core. These registers are affected by various instructions, but are not directly accessible through the register space by the user.

**Table 6-1. CPU Registers and Register Names**

Register	Register Name
Flags	CPU_F
Program Counter	CPU_PC
Accumulator	CPU_A
Stack Pointer	CPU_SP
Index	CPU_X

The 16-bit Program Counter Register (CPU\_PC) allows for direct addressing of the full eight Kbytes of program memory space.

The Accumulator Register (CPU\_A) is the general-purpose register that holds the results of instructions that specify any of the source addressing modes.

The Index Register (CPU\_X) holds an offset value that is used in the indexed addressing modes. Typically, this is used to address a block of data within the data memory space.

The Stack Pointer Register (CPU\_SP) holds the address of the current top-of-stack in the data memory space. It is affected by the PUSH, POP, LCALL, CALL, RETI, and RET instructions, which manage the software stack. It can also be affected by the SWAP and ADD instructions.

The Flag Register (CPU\_F) has three status bits: Zero Flag bit [1]; Carry Flag bit [2]; Supervisory State bit [3]. The Global Interrupt Enable bit [0] is used to globally enable or disable interrupts. The user cannot manipulate the Supervisory State status bit [3]. The flags are affected by arithmetic, logic, and shift operations. The manner in which each flag is changed is dependent upon the instruction being executed (i.e., AND, OR, XOR). See *Table 8-1*.

## 7.0 CPU Registers

### 7.1 Flags Register

The Flags Register can only be set or reset with logical instruction.

**Table 7-1. CPU Flags Register (CPU\_F) [R/W]**

Bit #	7	6	5	4	3	2	1	0
Field	Reserved			XIO	Super	Carry	Zero	Global IE
Read/Write	–	–	–	R/W	R	RW	RW	RW
Default	0	0	0	0	0	0	1	0

**Bit [7:5]:** Reserved  
**Bit 4:** XIO  
Set by the user to select between the register banks  
0 = Bank 0  
1 = Bank 1  
**Bit 3:** Super  
Indicates whether the CPU is executing user code or Supervisor Code. (This code cannot be accessed directly by the user)  
0 = User Code  
1 = Supervisor Code  
**Bit 2:** Carry  
Set by CPU to indicate whether there has been a carry in the previous logical/arithmetic operation  
0 = No Carry  
1 = Carry  
**Bit 1:** Zero  
Set by CPU to indicate whether there has been a zero result in the previous logical/arithmetic operation  
0 = Not Equal to Zero  
1 = Equal to Zero  
**Bit 0:** Global IE  
Determines whether all interrupts are enabled or disabled  
0 = Disabled  
1 = Enabled  
**Note:** CPU\_F register is only readable with explicit register address 0xF7. The *OR F, expr* and *AND F, expr* instructions must be used to set and clear the CPU\_F bits

#### 7.1.1 Accumulator Register

**Table 7-2. CPU Accumulator Register (CPU\_A)**

Bit #	7	6	5	4	3	2	1	0
Field	CPU Accumulator [7:0]							
Read/Write	–	–	–	–	–	–	–	–
Default	0	0	0	0	0	0	0	0

**Bit [7:0]:** CPU Accumulator [7:0]  
8-bit data value holds the result of any logical/arithmetic instruction that uses a source addressing mode

#### 7.1.2 Index Register

**Table 7-3. CPU X Register (CPU\_X)**

Bit #	7	6	5	4	3	2	1	0
Field	X [7:0]							
Read/Write	–	–	–	–	–	–	–	–
Default	0	0	0	0	0	0	0	0

**Bit [7:0]:** X [7:0]  
8-bit data value holds an index for any instruction that uses an indexed addressing mode



### 7.1.3 Stack Pointer Register

**Table 7-4. CPU Stack Pointer Register (CPU\_SP)**

Bit #	7	6	5	4	3	2	1	0
Field	Stack Pointer [7:0]							
Read/Write	–	–	–	–	–	–	–	–
Default	0	0	0	0	0	0	0	0
<b>Bit [7:0]:</b> Stack Pointer [7:0] 8-bit data value holds a pointer to the current top-of-stack								

### 7.1.4 CPU Program Counter High Register

**Table 7-5. CPU Program Counter High Register (CPU\_PCH)**

Bit #	7	6	5	4	3	2	1	0
Field	Program Counter [15:8]							
Read/Write	–	–	–	–	–	–	–	–
Default	0	0	0	0	0	0	0	0
<b>Bit [7:0]:</b> Program Counter [15:8] 8-bit data value holds the higher byte of the program counter								

### 7.1.5 CPU Program Counter Low Register

**Table 7-6. CPU Program Counter Low Register (CPU\_PCL)**

Bit #	7	6	5	4	3	2	1	0
Field	Program Counter [7:0]							
Read/Write	–	–	–	–	–	–	–	–
Default	0	0	0	0	0	0	0	0
<b>Bit [7:0]:</b> Program Counter [7:0] 8-bit data value holds the lower byte of the program counter								

## 7.2 Addressing Modes

### 7.2.1 Source Immediate

The result of an instruction using this addressing mode is placed in the A register, the F register, the SP register, or the X register, which is specified as part of the instruction opcode. Operand 1 is an immediate value that serves as a source for the instruction. Arithmetic instructions require two sources. Instructions using this addressing mode are two bytes in length.

**Table 7-7. Source Immediate**

Opcode	Operand 1
Instruction	Immediate Value

### Examples

```
ADD  A,  7 ;In this case, the immediate value
           ;of 7 is added with the Accumulator,
           ;and the result is placed in the
           ;Accumulator.
MOV  X,  8 ;In this case, the immediate value
           ;of 8 is moved to the X register.
AND  F,  9 ;In this case, the immediate value
           ;of 9 is logically ANDed with the F
           ;register and the result is placed
           ;in the F register.
```

### 7.2.2 Source Direct

The result of an instruction using this addressing mode is placed in either the A register or the X register, which is specified as part of the instruction opcode. Operand 1 is an address that points to a location in either the RAM memory space or the register space that is the source for the instruction. Arithmetic instructions require two sources; the second source is the A register or X register specified in the opcode. Instructions using this addressing mode are two bytes in length.

**Table 7-8. Source Direct**

Opcode	Operand 1
Instruction	Source Address

**Examples**

```
ADD A, [7] ;In this case, the ;value in
;the RAM memory location at
;address 7 is added with the
;Accumulator, and the result
;is placed in the Accumulator.

MOV X, REG[8] ;In this case, the value in
;the register space at address
;8 is moved to the X register.
```

**7.2.3 Source Indexed**

The result of an instruction using this addressing mode is placed in either the A register or the X register, which is specified as part of the instruction opcode. Operand 1 is added to the X register forming an address that points to a location in either the RAM memory space or the register space that is the source for the instruction. Arithmetic instructions require two sources; the second source is the A register or X register specified in the opcode. Instructions using this addressing mode are two bytes in length.

**Table 7-9. Source Indexed**

Opcode	Operand 1
Instruction	Source Index

**Examples**

```
ADD A, [X+7] ;In this case, the value in
;the memory location at
;address X + 7 is added with
;the Accumulator, and the
;result is placed in the
;Accumulator.

MOV X, REG[X+8] ;In this case, the value in
;the register space at
;address X + 8 is moved to
;the X register.
```

**7.2.4 Destination Direct**

The result of an instruction using this addressing mode is placed within either the RAM memory space or the register space. Operand 1 is an address that points to the location of the result. The source for the instruction is either the A register or the X register, which is specified as part of the instruction opcode. Arithmetic instructions require two sources; the second source is the location specified by Operand 1. Instructions using this addressing mode are two bytes in length.

**Table 7-10. Destination Direct**

Opcode	Operand 1
Instruction	Destination Address

**Examples**

```
ADD [7], A ;In this case, the value in
;the memory location at
;address 7 is added with the
;Accumulator, and the result
;is placed in the memory
;location at address 7. The
;Accumulator is unchanged.

MOV REG[8], A ;In this case, the Accumula-
;tor is moved to the regis-
;ter space location at
;address 8. The Accumulator
;is unchanged.
```

**7.2.5 Destination Indexed**

The result of an instruction using this addressing mode is placed within either the RAM memory space or the register space. Operand 1 is added to the X register forming the address that points to the location of the result. The source for the instruction is the A register. Arithmetic instructions require two sources; the second source is the location specified by Operand 1 added with the X register. Instructions using this addressing mode are two bytes in length.

**Table 7-11. Destination Indexed**

Opcode	Operand 1
Instruction	Destination Index

**Example**

```
ADD [X+7], A ;In this case, the value in the
;memory location at address X+7
;is added with the Accumulator,
;and the result is placed in
;the memory location at address
;x+7. The Accumulator is
;unchanged.
```

**7.2.6 Destination Direct Immediate**

The result of an instruction using this addressing mode is placed within either the RAM memory space or the register space. Operand 1 is the address of the result. The source for the instruction is Operand 2, which is an immediate value. Arithmetic instructions require two sources; the second source is the location specified by Operand 1. Instructions using this addressing mode are three bytes in length.

**Table 7-12. Destination Direct Immediate**

Opcode	Operand 1	Operand 2
Instruction	Destination Address	Immediate Value

## Examples

```
ADD [7], 5 ;In this case, value in the mem-
;ory location at address 7 is
;added to the immediate value of
;5, and the result is placed in
;the memory location at address 7.

MOV REG[8], 6 ;In this case, the immediate
;value of 6 is moved into the
;register space location at
;address 8.
```

### 7.2.7 Destination Indexed Immediate

The result of an instruction using this addressing mode is placed within either the RAM memory space or the register space. Operand 1 is added to the X register to form the address of the result. The source for the instruction is Operand 2, which is an immediate value. Arithmetic instructions require two sources; the second source is the location specified by Operand 1 added with the X register. Instructions using this addressing mode are three bytes in length.

**Table 7-13. Destination Indexed Immediate**

Opcode	Operand 1	Operand 2
Instruction	Destination Index	Immediate Value

## Examples

```
ADD [X+7], 5 ;In this case, the value in
;the memory location at
;address X+7 is added with
;the immediate value of 5,
;and the result is placed
;in the memory location at
;address X+7.

MOV REG[X+8], 6 ;In this case, the immedi-
;ate value of 6 is moved
;into the location in the
;register space at
;address X+8.
```

### 7.2.8 Destination Direct

The result of an instruction using this addressing mode is placed within the RAM memory. Operand 1 is the address of the result. Operand 2 is an address that points to a location in the RAM memory that is the source for the instruction. This addressing mode is only valid on the MOV instruction. The instruction using this addressing mode is three bytes in length.

**Table 7-14. Destination Direct**

Opcode	Operand 1	Operand 2
Instruction	Destination Address	Source Address

## Example

```
MOV [7], [8] ;In this case, the value in the
;memory location at address 8 is
;moved to the memory location at
;address 7.
```

### 7.2.9 Source Indirect Post Increment

The result of an instruction using this addressing mode is placed in the Accumulator. Operand 1 is an address pointing to a location within the memory space, which contains an address (the indirect address) for the source of the instruction. The indirect address is incremented as part of the instruction execution. This addressing mode is only valid on the MVI instruction. The instruction using this addressing mode is two bytes in length. Refer to the *PSoC Designer: Assembly Language User Guide* for further details on MVI instruction.

**Table 7-15. Source Indirect Post Increment**

Opcode	Operand 1
Instruction	Source Address Address

## Example

```
MVI A, [8] ;In this case, the value in the
;memory location at address 8 is
;an indirect address. The memory
;location pointed to by the indi-
;rect address is moved into the
;Accumulator. The indirect
;address is then incremented.
```

### 7.2.10 Destination Indirect Post Increment

The result of an instruction using this addressing mode is placed within the memory space. Operand 1 is an address pointing to a location within the memory space, which contains an address (the indirect address) for the destination of the instruction. The indirect address is incremented as part of the instruction execution. The source for the instruction is the Accumulator. This addressing mode is only valid on the MVI instruction. The instruction using this addressing mode is two bytes in length.

**Table 7-16. Destination Indirect Post Increment**

Opcode	Operand 1
Instruction	Destination Address Address

## Example

```
MVI [8], A ;In this case, the value in
;the memory location at
;address 8 is an indirect
;address. The Accumulator is
;moved into the memory loca-
;tion pointed to by the indi-
;rect address. The indirect
;address is then incremented.
```

## 8.0 Instruction Set Summary

The instruction set is summarized in *Table 8-1* by numerically and serves as a quick reference. If more information is

needed, the Instruction Set Summary tables are described in detail in the *PSoC Designer Assembly Language User Guide* (available on the [www.cypress.com](http://www.cypress.com) web site).

**Table 8-1. Instruction Set Summary Sorted Numerically by Opcode Order**<sup>[2, 3]</sup>

Opcode Hex	Cycles	Bytes	Instruction Format	Flags	Opcode Hex	Cycles	Bytes	Instruction Format	Flags	Opcode Hex	Cycles	Bytes	Instruction Format	Flags
00	15	1	SSC		2D	8	2	OR [X+expr], A	Z	5A	5	2	MOV [expr], X	
01	4	2	ADD A, expr	C, Z	2E	9	3	OR [expr], expr	Z	5B	4	1	MOV A, X	Z
02	6	2	ADD A, [expr]	C, Z	2F	10	3	OR [X+expr], expr	Z	5C	4	1	MOV X, A	
03	7	2	ADD A, [X+expr]	C, Z	30	9	1	HALT		5D	6	2	MOV A, reg[expr]	Z
04	7	2	ADD [expr], A	C, Z	31	4	2	XOR A, expr	Z	5E	7	2	MOV A, reg[X+expr]	Z
05	8	2	ADD [X+expr], A	C, Z	32	6	2	XOR A, [expr]	Z	5F	10	3	MOV [expr], [expr]	
06	9	3	ADD [expr], expr	C, Z	33	7	2	XOR A, [X+expr]	Z	60	5	2	MOV reg[expr], A	
07	10	3	ADD [X+expr], expr	C, Z	34	7	2	XOR [expr], A	Z	61	6	2	MOV reg[X+expr], A	
08	4	1	PUSH A		35	8	2	XOR [X+expr], A	Z	62	8	3	MOV reg[expr], expr	
09	4	2	ADC A, expr	C, Z	36	9	3	XOR [expr], expr	Z	63	9	3	MOV reg[X+expr], expr	
0A	6	2	ADC A, [expr]	C, Z	37	10	3	XOR [X+expr], expr	Z	64	4	1	ASL A	C, Z
0B	7	2	ADC A, [X+expr]	C, Z	38	5	2	ADD SP, expr		65	7	2	ASL [expr]	C, Z
0C	7	2	ADC [expr], A	C, Z	39	5	2	CMP A, expr		66	8	2	ASL [X+expr]	C, Z
0D	8	2	ADC [X+expr], A	C, Z	3A	7	2	CMP A, [expr]		67	4	1	ASR A	C, Z
0E	9	3	ADC [expr], expr	C, Z	3B	8	2	CMP A, [X+expr]		68	7	2	ASR [expr]	C, Z
0F	10	3	ADC [X+expr], expr	C, Z	3C	8	3	CMP [expr], expr		69	8	2	ASR [X+expr]	C, Z
10	4	1	PUSH X		3D	9	3	CMP [X+expr], expr		6A	4	1	RLC A	C, Z
11	4	2	SUB A, expr	C, Z	3E	10	2	MVI A, [ [expr]++ ]	Z	6B	7	2	RLC [expr]	C, Z
12	6	2	SUB A, [expr]	C, Z	3F	10	2	MVI [ [expr]++ ], A		6C	8	2	RLC [X+expr]	C, Z
13	7	2	SUB A, [X+expr]	C, Z	40	4	1	NOF		6D	4	1	RRC A	C, Z
14	7	2	SUB [expr], A	C, Z	41	9	3	AND reg[expr], expr	Z	6E	7	2	RRC [expr]	C, Z
15	8	2	SUB [X+expr], A	C, Z	42	10	3	AND reg[X+expr], expr	Z	6F	8	2	RRC [X+expr]	C, Z
16	9	3	SUB [expr], expr	C, Z	43	9	3	OR reg[expr], expr	Z	70	4	2	AND F, expr	C, Z
17	10	3	SUB [X+expr], expr	C, Z	44	10	3	OR reg[X+expr], expr	Z	71	4	2	OR F, expr	C, Z
18	5	1	POP A	Z	45	9	3	XOR reg[expr], expr	Z	72	4	2	XOR F, expr	C, Z
19	4	2	SBB A, expr	C, Z	46	10	3	XOR reg[X+expr], expr	Z	73	4	1	CPL A	Z
1A	6	2	SBB A, [expr]	C, Z	47	8	3	TST [expr], expr	Z	74	4	1	INC A	C, Z
1B	7	2	SBB A, [X+expr]	C, Z	48	9	3	TST [X+expr], expr	Z	75	4	1	INC X	C, Z
1C	7	2	SBB [expr], A	C, Z	49	9	3	TST reg[expr], expr	Z	76	7	2	INC [expr]	C, Z
1D	8	2	SBB [X+expr], A	C, Z	4A	10	3	TST reg[X+expr], expr	Z	77	8	2	INC [X+expr]	C, Z
1E	9	3	SBB [expr], expr	C, Z	4B	5	1	SWAP A, X	Z	78	4	1	DEC A	C, Z
1F	10	3	SBB [X+expr], expr	C, Z	4C	7	2	SWAP A, [expr]	Z	79	4	1	DEC X	C, Z
20	5	1	POP X		4D	7	2	SWAP X, [expr]		7A	7	2	DEC [expr]	C, Z
21	4	2	AND A, expr	Z	4E	5	1	SWAP A, SP	Z	7B	8	2	DEC [X+expr]	C, Z
22	6	2	AND A, [expr]	Z	4F	4	1	MOV X, SP		7C	13	3	LCALL	
23	7	2	AND A, [X+expr]	Z	50	4	2	MOV A, expr	Z	7D	7	3	LJMP	
24	7	2	AND [expr], A	Z	51	5	2	MOV A, [expr]	Z	7E	10	1	RETI	C, Z
25	8	2	AND [X+expr], A	Z	52	6	2	MOV A, [X+expr]	Z	7F	8	1	RET	
26	9	3	AND [expr], expr	Z	53	5	2	MOV [expr], A		8x	5	2	JMP	
27	10	3	AND [X+expr], expr	Z	54	6	2	MOV [X+expr], A		9x	11	2	CALL	
28	11	1	ROMX	Z	55	8	3	MOV [expr], expr		Ax	5	2	JZ	
29	4	2	OR A, expr	Z	56	9	3	MOV [X+expr], expr		Bx	5	2	JNZ	
2A	6	2	OR A, [expr]	Z	57	4	2	MOV X, expr		Cx	5	2	JC	
2B	7	2	OR A, [X+expr]	Z	58	6	2	MOV X, [expr]		Dx	5	2	JNC	
2C	7	2	OR [expr], A	Z	59	7	2	MOV X, [X+expr]		Ex	7	2	JACC	
										Fx	13	2	INDEX	Z

**Notes:**

2. Interrupt routines take 13 cycles before execution resumes at interrupt vector table.
3. The number of cycles required by an instruction is increased by one for instructions that span 256-byte boundaries in the Flash memory space.

## 9.0 Memory Organization

### 9.1 Flash Program Memory Organization

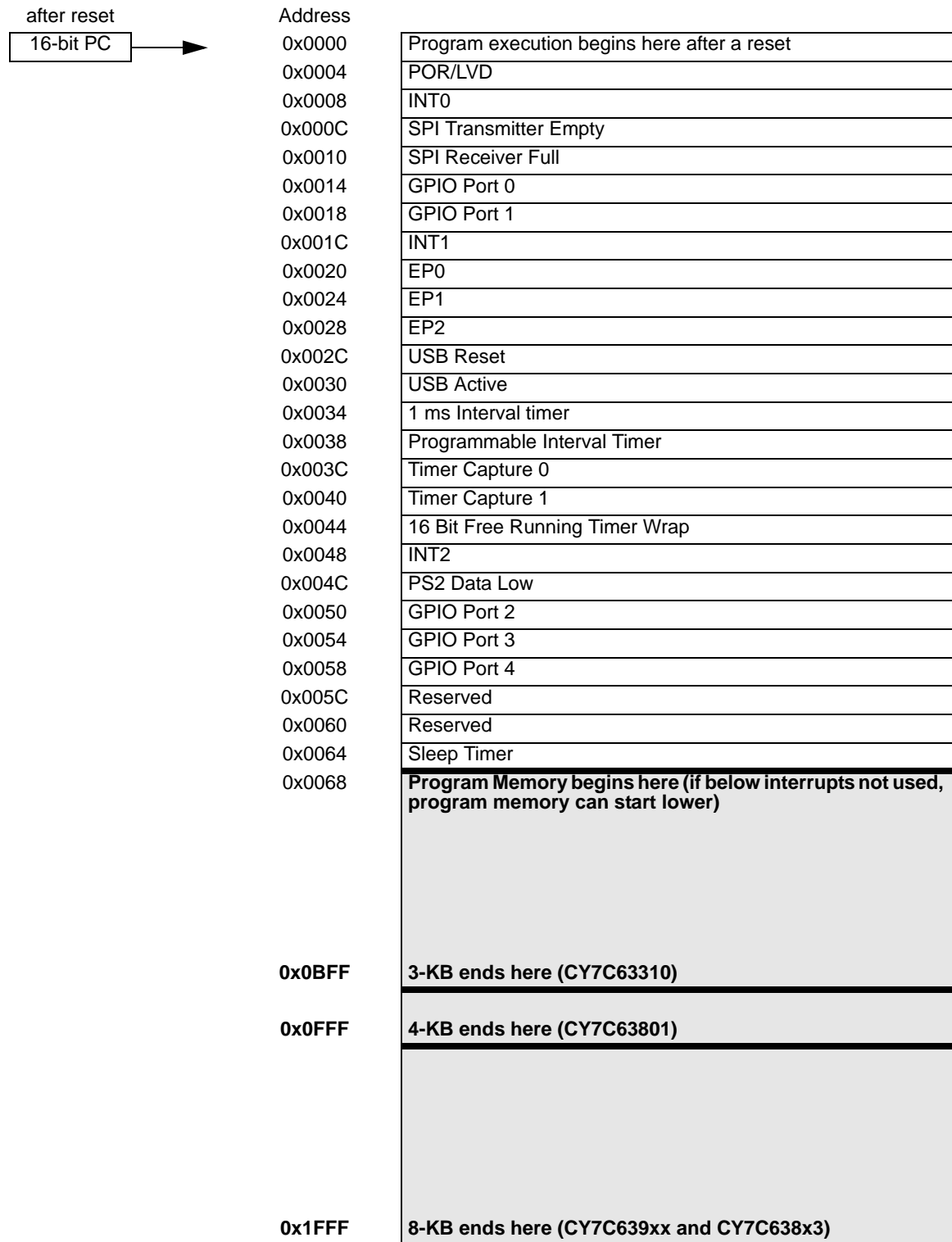


Figure 9-1. Program Memory Space with Interrupt Vector Table

## 9.2 Data Memory Organization

The CY7C633xx/638xx/639xx microcontrollers provide up to 256 bytes of data RAM. In normal usage, the SRAM is partitioned into two areas: stack, and user variables:

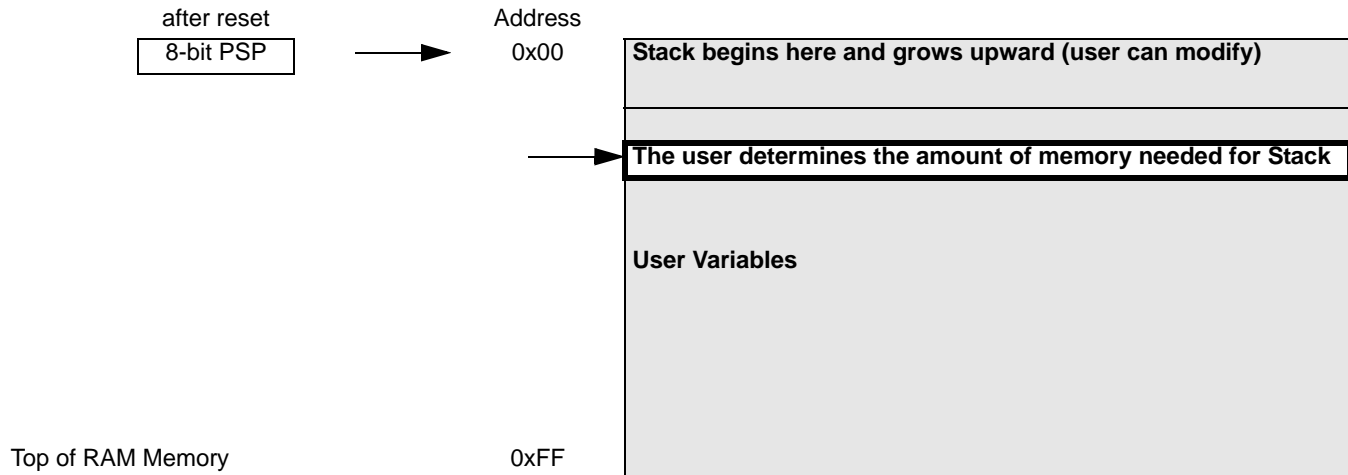


Figure 9-2. Data Memory Organization

## 9.3 Flash

This section describes the Flash block of the enCoRe II. Much of the user-visible Flash functionality including programming and security are implemented in the M8C Supervisory Read Only Memory (SROM).

### 9.3.1 Flash Programming and Security

All Flash programming is performed by code in the SROM. The registers that control the Flash programming are only visible to the M8C CPU when it is executing out of SROM. This makes it impossible to read, write or erase the Flash by bypassing the security mechanisms implemented in the SROM.

Customer firmware can only program the Flash via SROM calls. The data or code images can be sourced via any interface with the appropriate support firmware. This type of programming requires a 'boot-loader'—a piece of firmware resident on the Flash. For safety reasons this boot-loader should not be overwritten during firmware rewrites.

The Flash provides four extra auxiliary rows that are used to hold Flash block protection flags, boot time calibration values, configuration tables, and any device values. The routines for accessing these auxiliary rows are documented in the SROM section. The auxiliary rows are not affected by the device erase function.

### 9.3.2 In-System Programming

Most designs that include an enCoRe II part will have a USB connector attached to the USB D+/D- pins on the device. These designs require the ability to program or reprogram a part through these two pins alone. The programming protocol is not USB.

enCoRe II devices enable this type of in-system programming by using the D+ and D- pins as the serial programming mode interface. This allows an external controller to cause the

enCoRe II part to enter serial programming mode and then to use the test queue to issue Flash access functions in the SROM.

## 9.4 SROM

The SROM holds code that is used to boot the part, calibrate circuitry, and perform Flash operations. (Table 9-1 lists the SROM functions.) The functions of the SROM may be accessed in normal user code or operating from Flash. The SROM exists in a separate memory space from user code. The SROM functions are accessed by executing the Supervisory System Call instruction (SSC), which has an opcode of 00h. Prior to executing the SSC the M8C's accumulator needs to be loaded with the desired SROM function code from Table 9-1. Undefined functions will cause a HALT if called from user code. The SROM functions are executing code with calls; therefore, the functions require stack space. With the exception of Reset, all of the SROM functions have a *parameter block* in SRAM that must be configured before executing the SSC. Table 9-2 lists all possible parameter block variables. The meaning of each parameter, with regards to a specific SROM function, is described later in this chapter.

Table 9-1. SROM Function Codes

Function Code	Function Name	Stack Space
00h	SWBootReset	0
01h	ReadBlock	7
02h	WriteBlock	10
03h	EraseBlock	9
05h	EraseAll	11
06h	TableRead	3
07h	Checksum	3

Two important variables that are used for all functions are KEY1 and KEY2. These variables are used to help discriminate between valid SSCs and inadvertent SSCs. KEY1 must always have a value of 3Ah, while KEY2 must have the same value as the stack pointer when the SROM function begins execution. This would be the Stack Pointer value when the SSC opcode is executed, plus three. If either of the keys do not match the expected values, the M8C will halt (with the exception of the SWBootReset function). The following code puts the correct value in KEY1 and KEY2. The code starts with a halt, to force the program to jump directly into the setup code and not run into it.

```
halt
SSCOP: mov [KEY1], 3ah
mov X, SP
mov A, X
add A, 3
mov [KEY2], A
```

**Table 9-2. SROM Function Parameters**

Variable Name	SRAM Address
Key1 / Counter / Return Code	0,F8h
Key2 / TMP	0,F9h
BlockID	0,FAh
Pointer	0,FBh
Clock	0,FCh
Mode	0,FDh
Delay	0,FEh
PCL	0,FFh

The SROM also features Return Codes and Lockouts.

#### 9.4.1 Return Codes

Return codes aid in the determination of success or failure of a particular function. The return code is stored in KEY1's position in the parameter block. The CheckSum and TableRead functions do not have return codes because KEY1's position in the parameter block is used to return other data.

**Table 9-3. SROM Return Codes**

Return Code	Description
00h	Success
01h	Function not allowed due to level of protection on block.
02h	Software reset without hardware reset.
03h	Fatal error, SROM halted.

Read, write, and erase operations may fail if the target block is read or write protected. Block protection levels are set during device programming.

The EraseAll function overwrites data in addition to leaving the entire user Flash in the erase state. The EraseAll function loops through the number of Flash macros in the product, executing the following sequence: erase, bulk program all zeros, erase. After all the user space in all the Flash macros

are erased, a second loop erases and then programs each protection block with zeros.

## 9.5 SROM Function Descriptions

### 9.5.1 SWBootReset Function

The SROM function, SWBootReset, is the function that is responsible for transitioning the device from a reset state to running user code. The SWBootReset function is executed whenever the SROM is entered with an M8C accumulator value of 00h: the SRAM parameter block is not used as an input to the function. This will happen, by design, after a hardware reset, because the M8C's accumulator is reset to 00h or when user code executes the SSC instruction with an accumulator value of 00h. The SWBootReset function will not execute when the SSC instruction is executed with a bad key value and a non-zero function code. An enCoRe II device will execute the HALT instruction if a bad value is given for either KEY1 or KEY2.

The SWBootReset function verifies the integrity of the calibration data by way of a 16-bit checksum, before releasing the M8C to run user code.

### 9.5.2 ReadBlock Function

The ReadBlock function is used to read 64 contiguous bytes from Flash: a block.

The first thing this function does is to check the protection bits and determine if the desired BLOCKID is readable. If read protection is turned on, the ReadBlock function will exit setting the accumulator and KEY2 back to 00h. KEY1 will have a value of 01h, indicating a read failure. If read protection is not enabled, the function will read 64 bytes from the Flash using a ROMX instruction and store the results in SRAM using an MVI instruction. The first of the 64 bytes will be stored in SRAM at the address indicated by the value of the POINTER parameter. When the ReadBlock completes successfully the accumulator, KEY1 and KEY2 will all have a value of 00h.

**Table 9-4. ReadBlock Parameters**

Name	Address	Description
KEY1	0,F8h	3Ah
KEY2	0,F9h	Stack Pointer value, when SSC is executed.
BLOCKID	0,FAh	Flash block number
POINTER	0,FBh	First of 64 addresses in SRAM where returned data should be stored

### 9.5.3 WriteBlock Function

The WriteBlock function is used to store data in the Flash. Data is moved 64 bytes at a time from SRAM to Flash using this function. The first thing the WriteBlock function does is to check the protection bits and determine if the desired BLOCKID is writable. If write protection is turned on, the WriteBlock function will exit setting the accumulator and KEY2 back to 00h. KEY1 will have a value of 01h, indicating a write failure. The configuration of the WriteBlock function is straightforward. The BLOCKID of the Flash block, where the data is stored, must be determined and stored at SRAM address FAh.

The SRAM address of the first of the 64 bytes to be stored in Flash must be indicated using the POINTER variable in the parameter block (SRAM address FBh). Finally, the CLOCK and DELAY value must be set correctly. The CLOCK value determines the length of the write pulse that will be used to store the data in the Flash. The CLOCK and DELAY values are dependent on the CPU speed and must be set correctly. Refer to “Clocking” Section for additional information.

**Table 9-5. WriteBlock Parameters**

Name	Address	Description
KEY1	0,F8h	3Ah
KEY2	0,F9h	Stack Pointer value, when SSC is executed.
BLOCKID	0,FAh	8KB Flash block number (00h–7Fh) 4KB Flash block number (00h–3Fh) 3KB Flash block number (00h–2Fh)
POINTER	0,FBh	First of 64 addresses in SRAM, where the data to be stored in Flash is located prior to calling WriteBlock.
CLOCK	0,FCh	Clock divider used to set the write pulse width.
DELAY	0,FEh	For a CPU speed of 12 MHz set to 56h

#### 9.5.4 EraseBlock Function

The EraseBlock function is used to erase a block of 64 contiguous bytes in Flash. The first thing the EraseBlock function does is to check the protection bits and determine if the desired BLOCKID is writable. If write protection is turned on, the EraseBlock function will exit setting the accumulator and KEY2 back to 00h. KEY1 will have a value of 01h, indicating a write failure. The EraseBlock function is only useful as the first step in programming. Erasing a block will not cause data in a block to be one hundred percent unreadable. If the objective is to obliterate data in a block, the best method is to perform an EraseBlock followed by a WriteBlock of all zeros.

To set up the parameter block for the EraseBlock function, correct key values must be stored in KEY1 and KEY2. The block number to be erased must be stored in the BLOCKID variable and the CLOCK and DELAY values must be set based on the current CPU speed.

**Table 9-6. EraseBlock Parameters**

Name	Address	Description
KEY1	0,F8h	3Ah
KEY2	0,F9h	Stack Pointer value, when SSC is executed.
BLOCKID	0,FAh	Flash block number (00h–7Fh)
CLOCK	0,FCh	Clock divider used to set the erase pulse width.
DELAY	0,FEh	For a CPU speed of 12 MHz set to 56h

#### 9.5.5 ProtectBlock Function

The enCoRe II devices offer Flash protection on a block-by-block basis. Table 9-7 lists the protection modes available. In the table, ER and EW are used to indicate the ability to perform external reads and writes. For internal writes, IW is used.

Internal reading is always permitted by way of the ROMX instruction. The ability to read by way of the SROM ReadBlock function is indicated by SR. The protection level is stored in two bits according to Table 9-7. These bits are bit packed into the 64 bytes of the protection block. Therefore, each protection block byte stores the protection level for four Flash blocks. The bits are packed into a byte, with the lowest numbered block’s protection level stored in the lowest numbered bits Table 9-7.

The first address of the protection block contains the protection level for blocks 0 through 3; the second address is for blocks 4 through 7. The 64th byte will store the protection level for blocks 252 through 255.

**Table 9-7. Protection Modes**

Mode	Settings	Description	Marketing
00b	SR ER EW IW	Unprotected	Unprotected
01b	SR ER EW IW	Read protect	Factory upgrade
10b	SR ER EW IW	Disable external write	Field upgrade
11b	SR ER EW IW	Disable internal write	Full protection

7	6	5	4	3	2	1	0
Block n+3		Block n+2		Block n+1		Block n	

The level of protection is only decreased by an EraseAll, which places zeros in all locations of the protection block. To set the level of protection, the ProtectBlock function is used. This function takes data from SRAM, starting at address 80h, and ORs it with the current values in the protection block. The result of the OR operation is then stored in the protection block. The EraseBlock function does not change the protection level for a block. Because the SRAM location for the protection data is fixed and there is only one protection block per Flash macro, the ProtectBlock function expects very few variables in the parameter block to be set prior to calling the function. The parameter block values that must be set, besides the keys, are the CLOCK and DELAY values.

**Table 9-8. ProtectBlock Parameters**

Name	Address	Description
KEY1	0,F8h	3Ah
KEY2	0,F9h	Stack Pointer value when SSC is executed.
CLOCK	0,FCh	Clock divider used to set the write pulse width.
DELAY	0,FEh	For a CPU speed of 12 MHz set to 56h

#### 9.5.6 EraseAll Function

The EraseAll function performs a series of steps that destroy the user data in the Flash macros and resets the protection block in each Flash macro to all zeros (the unprotected state). The EraseAll function does not affect the three hidden blocks above the protection block, in each Flash macro. The first of these four hidden blocks is used to store the protection table for its eight Kbytes of user data.

The EraseAll function begins by erasing the user space of the Flash macro with the highest address range. A bulk program of all zeros is then performed on the same Flash macro, to



destroy all traces of the previous contents. The bulk program is followed by a second erase that leaves the Flash macro in a state ready for writing. The erase, program, erase sequence is then performed on the next lowest Flash macro in the address space if it exists. Following the erase of the user space, the protection block for the Flash macro with the highest address range is erased. Following the erase of the protection block, zeros are written into every bit of the protection table. The next lowest Flash macro in the address space then has its protection block erased and filled with zeros.

The end result of the EraseAll function is that all user data in the Flash is destroyed and the Flash is left in an unprogrammed state, ready to accept one of the various write commands. The protection bits for all user data are also reset to the zero state

The parameter block values that must be set, besides the keys, are the CLOCK and DELAY values.

**Table 9-9. EraseAll Parameters**

Name	Address	Description
KEY1	0,F8h	3Ah
KEY2	0,F9h	Stack Pointer value when SSC is executed.
CLOCK	0,FCh	Clock divider used to set the write pulse width.
DELAY	0,FEh	For a CPU speed of 12 MHz set to 56h

### 9.5.7 TableRead Function

The TableRead function gives the user access to part-specific data stored in the Flash during manufacturing. It also returns a Revision ID for the die (not to be confused with the Silicon ID).

**Table 9-10. Table Read Parameters**

Name	Address	Description
KEY1	0,F8h	3Ah
KEY2	0,F9h	Stack Pointer value when SSC is executed.
BLOCKID	0,FAh	Table number to read.

The table space for the enCoRe II is simply a 64-byte word broken up into eight tables of eight bytes. The tables are numbered zero through seven. All user and hidden blocks in the CY7C638xx and CY7C639xx parts consist of 64 bytes.

An internal table holds the Silicon ID and returns the Revision ID. The Silicon ID is returned in SRAM, while the Revision ID is returned in the CPU\_A and CPU\_X registers. The Silicon ID is a value placed in the table by programming the Flash and is controlled by Cypress Semiconductor Product Engineering. The Revision ID is hard coded into the SROM. The Revision ID is discussed in more detail later in this section.

An internal table holds alternate trim values for the device and returns a one-byte internal revision counter. The internal revision counter starts out with a value of zero and is incremented each time one of the other revision numbers is not incremented. It is reset to zero each time one of the other revision numbers is incremented. The internal revision count is returned in the CPU\_A register. The CPU\_X register will

always be set to FFh when trim values are read. The BLOCKID value, in the parameter block, is used to indicate which table should be returned to the user. Only the three least significant bits of the BLOCKID parameter are used by TableRead function for the CY7C638xx and CY7C639xx. The upper five bits are ignored. When the function is called, it transfers bytes from the table to SRAM addresses F8h–FFh.

The M8C's A and X registers are used by the TableRead function to return the die's Revision ID. The Revision ID is a 16-bit value hard coded into the SROM that uniquely identifies the die's design.

### 9.5.8 Checksum Function

The Checksum function calculates a 16-bit checksum over a user specifiable number of blocks, within a single Flash macro (Bank) starting from block zero. The BLOCKID parameter is used to pass in the number of blocks to calculate the checksum over. A BLOCKID value of 1 will calculate the checksum of only block 0, while a BLOCKID value of 0 will calculate the checksum of all 256 user blocks. The 16-bit checksum is returned in KEY1 and KEY2. The parameter KEY1 holds the lower eight bits of the checksum and the parameter KEY2 holds the upper eight bits of the checksum.

The checksum algorithm executes the following sequence of three instructions over the number of blocks times 64 to be checksummed.

```
romx
add [KEY1], A
adc [KEY2], 0
```

**Table 9-11. Checksum Parameters**

Name	Address	Description
KEY1	0,F8h	3Ah
KEY2	0,F9h	Stack Pointer value when SSC is executed.
BLOCKID	0,FAh	Number of Flash blocks to calculate checksum on.

## 10.0 Clocking

The enCoRe II internal oscillator outputs two frequencies, the Internal 24-MHz Oscillator and the 32-KHz Low-power Oscillator.

The Internal 24-MHz Oscillator is designed such that it may be trimmed to an output frequency of 24 MHz over temperature and voltage variation. With the presence of USB traffic, the Internal 24-MHz Oscillator can be set to precisely tune to USB timing requirements (24 MHz ± 1.5%). Without USB traffic, the Internal 24-MHz Oscillator accuracy is 24 MHz ± 5% (between 0°–70°C). No external components are required to achieve this level of accuracy.

The internal low-speed oscillator of nominally 32 KHz provides a slow clock source for the enCoRe II in suspend mode, particularly to generate a periodic wake-up interrupt and also to provide a clock to sequential logic during power-up and power-down events when the main clock is stopped. In addition, this oscillator can also be used as a clocking source for the Interval Timer clock (ITMRCLK) and Capture Timer clock (TCAPCLK). The 32-KHz Low-power Oscillator can operate in low-power mode or can provide a more accurate clock in normal mode.

The Internal 32-KHz Low-power Oscillator accuracy ranges from -85% to +120% (between 0°–70° C).

For applications that require a higher clock accuracy, the CY7C639xx part can optionally be sourced from an external crystal oscillator. When operating in USB mode, the supplied crystal oscillator must be either 12 MHz or 24 MHz in order for the USB blocks to function properly. In non-USB mode, the external oscillator can be up to 24 MHz.

### 10.1 Clock Architecture Description

The enCoRe II clock selection circuitry allows the selection of independent clocks for the CPU, USB, Interval Timers and Capture Timers.

On the CY7C639xx, the external oscillator can be sourced by the crystal oscillator or when the crystal oscillator is disabled it is sourced directly from the CLKIN pin. The external crystal oscillator is fed through the EFTB block, which can optionally be bypassed.

The CPU clock, CPUCLK, can be sourced from the external crystal oscillator or the Internal 24-MHz Oscillator. The selected clock source can optionally be divided by  $2^n$  where  $n$  is 0-5,7 (see Table 10-5).

USBCLK, which must be 12 MHz for the USB SIE to function properly, can be sourced by the Internal 24-MHz Oscillator or

the external crystal oscillator. An optional divide by two allows the use of 24-MHz source.

The Interval Timer clock (ITMRCLK), can be sourced from the external crystal oscillator, the Internal 24-MHz Oscillator, the Internal 32-KHz Low-power Oscillator, or from the timer capture clock (TCAPCLK). A programmable prescaler of 1, 2, 3, 4 then divides the selected source.

The Timer Capture clock (TCAPCLK) can be sourced from the external crystal oscillator, Internal 24-MHz Oscillator, or the Internal 32-KHz Low-power Oscillator.

When it is not being used by the external crystal oscillator, the CLKOUT pin can be driven from one of many sources. This is used for test and can also be used in some applications. The sources that can drive the CLKOUT are:

- CLKIN after the optional EFTB filter
- Internal 24-MHz Oscillator
- Internal 32-KHz Low-power Oscillator
- CPUCLK after the programmable divider

#### 10.1.1 Clock Control Registers

#### 10.1.2 Internal Clock Trim

**Table 10-1. IOSC Trim (IOSCTR) [0x34] [R/W]**

Bit #	7	6	5	4	3	2	1	0
Field	offset[2:0]			Gain[4:0]				
Read/Write	R/W	R/W	R/W	R/W	R/W	R/W	R/W	R/W
Default	0	0	0	D	D	D	D	D

The IOSC Calibrate register is used to calibrate the internal oscillator. The reset value is undefined but during boot the SROM writes a calibration value that is determined during manufacturing test. This value should not require change during normal use. This is the meaning of 'D' in the Default field

**Bit [7:5]:** foffset [2:0]

This value is used to trim the frequency of the internal oscillator. These bits are not used in factory calibration and will be zero. Setting each of these bits causes the appropriate fine offset in oscillator frequency.

foffset bit 0 = 7.5 KHz

foffset bit 1 = 15 KHz

foffset bit 2 = 30 KHz

**Bit [4:0]:** Gain [4:0]

The effective frequency change of the offset input is controlled through the gain input. A lower value of the gain setting increases the gain of the offset input. This value sets the size of each offset step for the internal oscillator. Nominal gain change (KHz/offsetStep) at each bit, typical conditions (24 MHz operation):

Gain bit 0 = -1.5 KHz

Gain bit 1 = -3.0 KHz

Gain bit 2 = -6 KHz

Gain bit 3 = -12 KHz

Gain bit 4 = -24 KHz

10.1.3 External Clock Trim

**Table 10-2. XOSC Trim (XOSCTR) [0x35] [R/W]**

Bit #	7	6	5	4	3	2	1	0
Field	Reserved			XOSC XGM [2:0]			Reserved	Mode
Read/Write	–	–	–	R/W	R/W	R/W	–	R/W
Default	0	0	0	D	D	D	0	D

This register is used to calibrate the external crystal oscillator. The reset value is undefined but during boot the SROM writes a calibration value that is determined during manufacturing test. This is the meaning of 'D' in the Default field

**Bit [7:5]:** Reserved

**Bit [4:2]:** XOSC XGM [2:0]

Amplifier transconductance setting. The Xgm settings are recommended for resonators with frequencies of interest for the enCoRe II as below

Resonator	XGM Setting	Worst Case R (Ohms)
6-MHz Crystal	001	403
12-MHz Crystal	011	201
24-MHz Crystal	111	101
6-MHz Ceramic	001	70.4
12-MHz Ceramic	011	41

**Bit 1:** Reserved

**Bit 0:** Mode

0 = Oscillator Mode

1 = Fixed Maximum Bias test Mode

10.1.4 LPOSC Trim

**Table 10-3. LPOSC Trim (LPOSCTR) [0x36] [R/W]**

Bit #	7	6	5	4	3	2	1	0
Field	32-KHz Low Power	Reserved	32-KHz Bias Trim [1:0]		32-KHz Freq Trim [3:0]			
Read/Write	R/W	–	R/W	R/W	R/W	R/W	R/W	R/W
Default	D	D	D	D	D	D	D	D

This register is used to calibrate the 32-KHz Low-speed Oscillator. The reset value is undefined but during boot the SROM writes a calibration value that is determined during manufacturing test. This value should not require change during normal use. This is the meaning of 'D' in the Default field. If the 32-KHz Low-power bit needs to be written, care should be taken not to disturb the 32-KHz Bias Trim and the 32-KHz Freq Trim fields from their factory calibrated values

**Bit 7:** 32-KHz Low Power

0 = The 32-KHz Low-speed Oscillator operates in normal mode

1 = The 32-KHz Low-speed Oscillator operates in a low-power mode. The oscillator continues to function normally but with reduced accuracy

**Bit 6:** Reserved

**Bit [5:4]:** 32-KHz Bias Trim [1:0]

These bits control the bias current of the low-power oscillator.

0 0 = Mid bias

0 1 = High bias

1 0 = Reserved

1 1 = Disable (off)

**Important Note:** Do not program the 32-KHz Bias Trim [1:0] field with the reserved 10b value as the oscillator does not oscillate at all corner conditions with this setting

**Bit [3:0]:** 32-KHz Freq Trim [3:0]

These bits are used to trim the frequency of the low-power oscillator

10.1.5 CPU/USB Clock Configuration

**Table 10-4. CPU/USB Clock Config CPUCLKCR) [0x30] [R/W]**

Bit #	7	6	5	4	3	2	1	0
Field	Reserved	USB CLK /2 Disable	USB CLK Select	Reserved				CPUCLK Select
Read/Write	–	R/W	R/W	–	–	–	–	R/W
Default	0	0	0	0	0	0	0	0

**Bit 7:** Reserved  
**Bit 6:** USB CLK/2 Disable  
 This bit only affects the USBCLK when the source is the external crystal oscillator. When the USBCLK source is the Internal 24-MHz Oscillator, the divide by two is always enabled  
 0 = USBCLK source is divided by two. This is the correct setting to use when the Internal 24-MHz Oscillator is used, or when the external source is used with a 24-MHz clock  
 1 = USBCLK is undivided. Use this setting only with a 12-MHz external clock  
**Bit 5:** USB CLK Select  
 This bit controls the clock source for the USB SIE  
 0 = Internal 24-MHz Oscillator. With the presence of USB traffic, the Internal 24-MHz Oscillator can be trimmed to meet the USB requirement of 1.5% tolerance (see *Table 10-6*)  
 1 = External clock—external oscillator on CLKIN and CLKOUT if the external oscillator is enabled (the XOSC Enable bit set in the CLKIOCR Register—*Table 10-8*), or the CLKIN input if the external oscillator is disabled. Internal Oscillator is not trimmed to USB traffic. **Proper USB SIE operation requires a 12-MHz or 24-MHz clock accurate to <1.5%.**  
**Bit [4:1]:** Reserved  
**Bit 0:** CPU CLK Select  
 0 = Internal 24-MHz Oscillator.  
 1 = External crystal oscillator—External crystal oscillator on CLKIN and CLKOUT if the external crystal oscillator is enabled, CLKIN input if the external crystal oscillator is disabled  
**Note:** the CPU speed selection is configured using the OSC\_CR0 Register (*Table 10-5*)

10.1.6 OSC\_CR0 Clock Configuration

**Table 10-5. OSC Control 0 (OSC\_CR0) [0x1E0] [R/W]**

Bit #	7	6	5	4	3	2	1	0
Field	Reserved		No Buzz	Sleep Timer [1:0]		CPU Speed [2:0]		
Read/Write	–	–	R/W	R/W	R/W	R/W	R/W	R/W
Default	0	0	0	0	0	0	0	0

**Bit [7:6]:** Reserved

**Bit 5:** No Buzz

During sleep (the Sleep bit is set in the CPU\_SCR Register—*Table 11-1*), the LVD and POR detection circuit is turned on periodically to detect any POR and LVD events on the V<sub>CC</sub> pin (the Sleep Duty Cycle bits in the ECO\_TR are used to control the duty cycle—*Table 13-3*). To facilitate the detection of POR and LVD events, the No Buzz bit is used to force the LVD and POR detection circuit to be continuously enabled during sleep. This results in a faster response to an LVD or POR event during sleep at the expense of a slightly higher than average sleep current

0 = The LVD and POR detection circuit is turned on periodically as configured in the Sleep Duty Cycle

1 = The Sleep Duty Cycle value is overridden. The LVD and POR detection circuit is always enabled

**Note:** The periodic Sleep Duty Cycle enabling is independent with the sleep interval shown in the Sleep [1:0] bits below

**Bit [4:3]:** Sleep Timer [1:0]

Sleep Timer [1:0]	Sleep Timer Clock Frequency (Nominal)	Sleep Period (Nominal)	Watchdog Period (Nominal)
00	512 Hz	1.95 ms	6 ms
01	64 Hz	15.6 ms	47 ms
10	8 Hz	125 ms	375 ms
11	1 Hz	1 sec	3 sec

**Note:** Sleep intervals are approximate

**Bit [2:0]:** CPU Speed [2:0]

The enCoRe II may operate over a range of CPU clock speeds. The reset value for the CPU Speed bits is zero; therefore, the default CPU speed is one-eighth of the internal 24 MHz, or 3 MHz

Regardless of the CPU Speed bit's setting, if the actual CPU speed is greater than 12 MHz, the 24-MHz operating requirements apply. An example of this scenario is a device that is configured to use an external clock, which is supplying a frequency of 20 MHz. If the CPU speed register's value is 0b011, the CPU clock will be 20 MHz. Therefore the supply voltage requirements for the device are the same as if the part was operating at 24 MHz. The operating voltage requirements are not relaxed until the CPU speed is at 12 MHz or less

CPU Speed [2:0]	CPU when Internal Oscillator is selected	External Clock
000	3 MHz (Default)	Clock In / 8
001	6 MHz	Clock In / 4
010	12 MHz	Clock In / 2
011	24 MHz	Clock In / 1
100	1.5 MHz	Clock In / 16
101	750 KHz	Clock In / 32
110	187 KHz	Clock In / 128
111	Reserved	Reserved

**Important Note:** Correct USB operations require the CPU clock speed to be at least eight times greater than the USB clock. If the two clocks have the same source then the CPU clock divider should not be set to divide by more than 8. If the two clocks have different sources, care must be taken to ensure that the maximum ratio of USB Clock/CPU Clock can never exceed 8 across the full specification range of both clock sources

10.1.7 USB Oscillator Lock Configuration

**Table 10-6. USB Osclock Clock Configuration (OSCLCKCR) [0x39] [R/W]**

Bit #	7	6	5	4	3	2	1	0
Field	Reserved						Fine Tune Only	USB Osclock Disable
Read/Write	–	–	–	–	–	–	R/W	R/W
Default	0	0	0	0	0	0	0	0

This register is used to trim the Internal 24-MHz Oscillator using received low-speed USB packets as a timing reference. The USB Osclock circuit is active when the Internal 24-MHz Oscillator provides the USB clock

**Bit [7:2]:** Reserved

**Bit 1:** Fine Tune Only

0 = Enable

1 = Disable the oscillator lock from performing the course-tune portion of its retuning. The oscillator lock must be allowed to perform a course tuning in order to tune the oscillator for correct USB SIE operation. After the oscillator is properly tuned this bit can be set to reduce variance in the internal oscillator frequency that would be caused course tuning

**Bit 0:** USB Osclock Disable

0 = Enable. With the presence of USB traffic, the Internal 24-MHz Oscillator precisely tunes to 24 MHz  $\pm$  1.5%

1 = Disable. The Internal 24-MHz Oscillator is not trimmed based on USB packets. This setting is useful when the internal oscillator is not sourcing the USBSIE clock

10.1.8 Timer Clock Configuration

**Table 10-7. Timer Clock Config (TMRCLKCR) [0x31] [R/W]**

Bit #	7	6	5	4	3	2	1	0
Field	TCAPCLK Divider		TCAPCLK Select		ITMRCLK Divider		ITMRCLK Select	
Read/Write	R/W	R/W	R/W	R/W	R/W	R/W	R/W	R/W
Default	1	0	0	0	1	1	1	1

**Bit [7:6]:** TCAPCLK Divider [1:0]

TCAPCLK Divider controls the TCAPCLK divisor

0 0 = Divider Value 2

0 1 = Divider Value 4

1 0 = Divider Value 6

1 1 = Divider Value 8

**Bit [5:4]:** TCAPCLK Select

The TCAPCLK Select field controls the source of the TCAPCLK

0 0 = Internal 24-MHz Oscillator

0 1 = External crystal oscillator—external crystal oscillator on CLKIN and CLKOUT if the external crystal oscillator is enabled, CLKIN input if the external crystal oscillator is disabled (the XOSC Enable bit of the CLKIOCR Register is cleared—*Table 10-8*)

1 0 = Internal 32-KHz Low-power Oscillator

1 1 = TCAPCLK Disabled

**Note:** The 1024- $\mu$ s interval timer is based on the assumption that TCAPCLK is running at 4 MHz. Changes in TCAPCLK frequency will cause a corresponding change in the 1024- $\mu$ s interval timer frequency

**Bit [3:2]:** ITMRCLK Divider

ITMRCLK Divider controls the ITMRCLK divisor.

0 0 = Divider value of 1

0 1 = Divider value of 2

1 0 = Divider value of 3

1 1 = Divider value of 4

**Bit [1:0]:** ITMRCLK Select

0 0 = Internal 24-MHz Oscillator

0 1 = External crystal oscillator – external crystal oscillator on CLKIN and CLKOUT if the external crystal oscillator is enabled, CLKIN input if the external crystal oscillator is disabled

1 0 = Internal 32-KHz Low-power Oscillator

1 1 = TCAPCLK

10.1.9 Clock In / Clock Out Configuration

**Table 10-8. Clock I/O Config (CLKIOCR) [0x32] [R/W]**

Bit #	7	6	5	4	3	2	1	0
Field	Reserved			XOSC Select	XOSC Enable	EFTB Disabled	CLKOUT Select	
Read/Write	–	–	–	R/W	R/W	R/W	R/W	R/W
Default	0	0	0	0	0	0	0	0

**Bit [7:5]:** Reserved  
**Bit 4:** XOSC Select  
 This bit when set, selects the external crystal oscillator clock as clock source of external clock. Care needs to be taken while selecting the crystal oscillator clock. First enable the crystal oscillator and wait for few cycles, which is oscillator stabilization period. Then select the crystal clock as clock source. Similarly, while deselect crystal clock, first deselect crystal clock as clock source then disable the crystal oscillator.  
 0 = Not select external crystal oscillator clock  
 1 = Select the external crystal oscillator clock  
**Bit 3:** XOSC Enable  
 This bit when set enables the external crystal oscillator. The external crystal oscillator shares pads CLKIN and CLKOUT with two GPIOs—P0.0 and P0.1, respectively. When the external crystal oscillator is enabled, the CLKIN signal comes from the external crystal oscillator block and the output enables on the GPIOs for P0.0 and P0.1 are disabled, eliminating the possibility of contention. When the external crystal oscillator is disabled the source for CLKIN signal comes from the P0.0 GPIO input.  
 0 = Disable the external oscillator  
 1 = Enable the external oscillator  
**Note:** The external crystal oscillator startup time takes up to 2 ms.  
**Bit 2:** EFTB Disabled  
 This bit is only available on the CY7C639xx  
 0 = Enable the EFTB filter  
 1 = Disable the EFTB filter, causing CLKIN to bypass the EFTB filter  
**Bit [1:0]:** CLKOUT Select  
 0 0 = Internal 24-MHz Oscillator  
 0 1 = External crystal oscillator – external crystal oscillator on CLKIN and CLKOUT if the external crystal oscillator is enabled, CLKIN input if the external oscillator is disabled  
 1 0 = Internal 32-KHz Low-power Oscillator  
 1 1 = CPUCLK

**10.2 CPU Clock During Sleep Mode**

When the CPU enters sleep mode the CPUCLK Select (Bit 1, Table 10-4) is forced to the Internal Oscillator, and the oscillator is stopped. When the CPU comes out of sleep mode it is running on the internal oscillator. The internal oscillator recovery time is three clock cycles of the Internal 32-KHz Low-power Oscillator.

If the system requires the CPU to run off the external clock after awaking from sleep mode, firmware will need to switch the clock source for the CPU. If the external clock source is the external oscillator and the oscillator is disabled, firmware will need to enable the external oscillator, wait for it to stabilize, and then change the clock source.

**11.0 Reset**

The microcontroller supports two types of resets: Power-on Reset (POR) and Watchdog Reset (WDR). When reset is initiated, all registers are restored to their default states and all interrupts are disabled.

The occurrence of a reset is recorded in the System Status and Control Register (CPU\_SCR). Bits within this register record the occurrence of POR and WDR Reset respectively. The firmware can interrogate these bits to determine the cause of a reset.

The microcontroller resumes execution from Flash address 0x0000 after a reset. The internal clocking mode is active after a reset, until changed by user firmware.

**Note:** The CPU clock defaults to 3 MHz (Internal 24-MHz Oscillator divide-by-8 mode) at POR to guarantee operation at the low V<sub>CC</sub> that might be present during the supply ramp.

**Table 11-1. System Status and Control Register (CPU\_SCR) [0xFF] [R/W]**

Bit #	7	6	5	4	3	2	1	0
Field	GIES	Reserved	WDRS	PORS	Sleep	Reserved		Stop
Read/Write	R	–	R/C <sup>[4]</sup>	R/C <sup>[4]</sup>	R/W	–	–	R/W
Default	0	0	0	1	0	0	0	0

The bits of the CPU\_SCR register are used to convey status and control of events for various functions of an enCoRe II device

**Bit 7: GIES**

The Global Interrupt Enable Status bit is a read only status bit and its use is discouraged. The GIES bit is a legacy bit, which was used to provide the ability to read the GIE bit of the CPU\_F register. However, the CPU\_F register is now readable. When this bit is set, it indicates that the GIE bit in the CPU\_F register is also set which, in turn, indicates that the microprocessor will service interrupts

0 = Global interrupts disabled

1 = Global interrupt enabled

**Bit 6: Reserved**

**Bit 5: WDRS**

The WDRS bit is set by the CPU to indicate that a WDR event has occurred. The user can read this bit to determine the type of reset that has occurred. The user can clear but not set this bit

0 = No WDR

1 = A WDR event has occurred

**Bit 4: PORS**

The PORS bit is set by the CPU to indicate that a POR event has occurred. The user can read this bit to determine the type of reset that has occurred. The user can clear but not set this bit

0 = No POR

1 = A POR event has occurred. (Note that WDR events will not occur until this bit is cleared)

**Bit 3: SLEEP**

Set by the user to enable CPU sleep state. CPU will remain in sleep mode until any interrupt is pending. The Sleep bit is covered in more detail in the Sleep Mode section

0 = Normal operation

1 = Sleep

**Bit [2:1]: Reserved**

**Bit 0: STOP**

This bit is set by the user to halt the CPU. The CPU will remain halted until a reset (WDR, POR, or external reset) has taken place. If an application wants to stop code execution until a reset, the preferred method would be to use the HALT instruction rather than writing to this bit

0 = Normal CPU operation

1 = CPU is halted (not recommended)

**11.1 Power-on Reset**

POR occurs every time the power to the device is switched on. POR is released when the supply is typically 2.6V for the upward supply transition, with typically 50 mV of hysteresis during the power-on transient. Bit 4 of the System Status and Control Register (CPU\_SCR) is set to record this event (the register contents are set to 00010000 by the POR). After a POR, the microprocessor is held off for approximately 20 ms for the V<sub>CC</sub> supply to stabilize before executing the first instruction at address 0x00 in the Flash. If the V<sub>CC</sub> voltage drops below the POR downward supply trip point, POR is reasserted. The V<sub>CC</sub> supply needs to ramp linearly from 0 to 4V in 0 to 200 ms.

**Important:** The PORS status bit is set at POR and can only be cleared by the user. It cannot be set by firmware.

**11.2 Watchdog Timer Reset**

The user has the option to enable the WDT. The WDT is enabled by clearing the PORS bit. Once the PORS bit is

**Note:**

- 4. C = Clear. This bit can only be cleared by the user and cannot be set by firmware.

cleared, the WDT cannot be disabled. The only exception to this is if a POR event takes place, which will disable the WDT.

The sleep timer is used to generate the sleep time period and the Watchdog time period. The sleep timer uses the Internal 32-KHz Low-power Oscillator system clock to produce the sleep time period. The user can program the sleep time period using the Sleep Timer bits of the OSC\_CR0 Register (Table 10-5). When the sleep time elapses (sleep timer overflows), an interrupt to the Sleep Timer Interrupt Vector will be generated.

The Watchdog Timer period is automatically set to be three counts of the Sleep Timer overflows. This represents between two and three sleep intervals depending on the count in the Sleep Timer at the previous WDT clear. When this timer reaches three, a WDR is generated.

The user can either clear the WDT, or the WDT and the Sleep Timer. Whenever the user writes to the Reset WDT Register (RES\_WDT), the WDT will be cleared. If the data that is written is the hex value 0x38, the Sleep Timer will also be cleared at the same time.



**Table 11-2. Reset Watchdog Timer (RESWDT) [0xE3] [W]**

Bit #	7	6	5	4	3	2	1	0
Field	Reset Watchdog Timer [7:0]							
Read/Write	W	W	W	W	W	W	W	W
Default	0	0	0	0	0	0	0	0
Any write to this register will clear Watchdog Timer, a write of 0x38 will also clear the Sleep Timer <b>Bit [7:0]:</b> Reset Watchdog Timer [7:0]								

## 12.0 Sleep Mode

The CPU can only be put to sleep by the firmware. This is accomplished by setting the Sleep bit in the System Status and Control Register (CPU\_SCR). This stops the CPU from executing instructions, and the CPU will remain asleep until an interrupt comes pending, or there is a reset event (either a Power-on Reset, or a Watchdog Timer Reset).

The Low-voltage Detection circuit (LVD) drops into fully functional power-reduced states, and the latency for the LVD is increased. The actual latency can be traded against power consumption by changing Sleep Duty Cycle field of the ECO\_TR Register.

The Internal 32-KHz Low-speed Oscillator remains running. Prior to entering suspend mode, firmware can optionally configure the 32-KHz Low-speed Oscillator to operate in a low-power mode to help reduce the over all power consumption (Using Bit 7, *Table 10-3*). This will help save approximately 5  $\mu$ A; however, the trade off is that the 32-KHz Low-speed Oscillator will be less accurate ( $-85\%$  to  $+120\%$  deviation).

All interrupts remain active. Only the occurrence of an interrupt will wake the part from sleep. The Stop bit in the System Status and Control Register (CPU\_SCR) must be cleared for a part to resume out of sleep. The Global Interrupt Enable bit of the CPU Flags Register (CPU\_F) does not have any effect. Any unmasked interrupt will wake the system up. As a result, any

interrupts not intended for waking should be disabled through the Interrupt Mask Registers.

When the CPU enters sleep mode the CPUCLK Select (Bit 1, *Table 10-4*) is forced to the Internal Oscillator. The internal oscillator recovery time is three clock cycles of the Internal 32-KHz Low-power Oscillator. The Internal 24-MHz Oscillator restarts immediately on exiting Sleep mode. If the external crystal oscillator is used, firmware will need to switch the clock source for the CPU.

Unlike the Internal 24-MHz Oscillator, the external oscillator is not automatically shut down during sleep. Systems that need the external oscillator disabled in sleep mode will need to disable the external oscillator prior to entering sleep mode. In systems where the CPU runs off the external oscillator, firmware will need to switch the CPU to the internal oscillator prior to disabling the external oscillator.

On exiting sleep mode, once the clock is stable and the delay time has expired, the instruction immediately following the sleep instruction is executed before the interrupt service routine (if enabled).

The Sleep interrupt allows the microcontroller to wake up periodically and poll system components while maintaining very low average power consumption. The Sleep interrupt may also be used to provide periodic interrupts during non-sleep modes.

### 13.0 Low-voltage Detect Control

**Table 13-1. Low-voltage Control Register (LVDCR) [0x1E3] [R/W]**

Bit #	7	6	5	4	3	2	1	0
Field	Reserved		PORLEV[1:0]		Reserved	VM[2:0]		
Read/Write	–	–	R/W	R/W	–	R/W	R/W	R/W
Default	0	0	0	0	0	0	0	0

This register controls the configuration of the Power-on Reset / Low-voltage Detection block

**Bit [7:6]:** Reserved

**Bit [5:4]:** PORLEV[1:0]

This field controls the level below which the precision power-on-reset (PPOR) detector generates a reset

0 0 = 2.7V Range (trip near 2.6V)

0 1 = 3V Range (trip near 2.9V)

1 0 = 5V Range,  $\geq 4.75V$  (trip near 4.65V)

1 1 = PPOR will not generate a reset, but values read from the Voltage Monitor Comparators Register (*Table 13-2*) give the internal PPOR comparator state with trip point set to the 3V range setting

**Bit 3:** Reserved

**Bit [2:0]:** VM[2:0]

This field controls the level below which the low-voltage-detect trips—possibly generating an interrupt and the level at which the Flash is enabled for operation.

VM[2:0]	LVD Trip Point (V) Min	LVD Trip Point (V) Typ	LVD Trip Point (V) Max
000	2.69	2.70	2.72
001	2.90	2.92	2.94
010	3.00	3.02	3.04
011	3.11	3.13	3.15
100	4.46	4.48	4.51
101	4.61	4.64	4.67
110	4.70	4.73	4.76
111	4.78	4.82	4.85

#### 13.0.1 POR Compare State

**Table 13-2. Voltage Monitor Comparators Register (VLTCMP) [0x1E4] [R]**

Bit #	7	6	5	4	3	2	1	0
Field	Reserved						LVD	PPOR
Read/Write	–	–	–	–	–	–	R	R
Default	0	0	0	0	0	0	0	0

This read-only register allows reading the current state of the Low-voltage-Detection and Precision-Power-On-Reset comparators

**Bit [7:2]:** Reserved

**Bit 1:** LVD

This bit is set to indicate that the low-voltage-detect comparator has tripped, indicating that the supply voltage has gone below the trip point set by VM[2:0] (See *Table 13-1*)

0 = No low-voltage-detect event

1 = A low-voltage-detect has tripped

**Bit 0:** PPOR

This bit is set to indicate that the precision-power-on-reset comparator has tripped, indicating that the supply voltage is below the trip point set by PORLEV[1:0]

0 = No precision-power-on-reset event

1 = A precision-power-on-reset event has tripped

13.0.2 ECO Trim Register

**Table 13-3. ECO (ECO\_TR) [0x1EB] [R/W]**

Bit #	7	6	5	4	3	2	1	0
Field	Sleep Duty Cycle [1:0]		Reserved					
Read/Write	R/W	R/W	–	–	–	–	–	–
Default	0	0	0	0	0	0	0	0

This register controls the ratios (in numbers of 32-KHz clock periods) of “on” time versus “off” time for LVD and POR detection circuit

**Bit [7:6]:** Sleep Duty Cycle [1:0]

0 0 = 128 periods of the Internal 32-KHz Low-speed Oscillator

0 1 = 512 periods of the Internal 32-KHz Low-speed Oscillator

1 0 = 32 periods of the Internal 32-KHz Low-speed Oscillator

1 1 = 8 periods of the Internal 32-KHz Low-speed Oscillator

**14.0 General-purpose I/O Ports**

**14.1 Port Data Registers**

14.1.1 P0 Data

**Table 14-1. P0 Data Register (P0DATA)[0x00] [R/W]**

Bit #	7	6	5	4	3	2	1	0
Field	P0.7	P0.6/TIO1	P0.5/TIO0	P0.4/INT2	P0.3/INT1	P0.2/INT0	P0.1/CLKOUT	P0.0/CLKIN
Read/Write	R/W	R/W	R/W	R/W	R/W	R/W	R/W	R/W
Default	0	0	0	0	0	0	0	0

This register contains the data for Port 0. Writing to this register sets the bit values to be output on output enabled pins. Reading from this register returns the current state of the Port 0 pins.

**Bit 7:** P0.7 Data

P0.7 only exists in the CY7C638xx and CY7C639xx

**Bit [6:5]:** P0.6–P0.5 Data / TIO1 and TIO0

Beside their use as the P0.6–P0.5 GPIOs, these pins can also be used for the alternate functions as the Capture Timer input or Timer output pins (TIO1 and TIO0). To configure the P0.5 and P0.6 pins, refer to the P0.5/TIO0–P0.6/TIO1 Configuration Register (Table 14-9)

The use of the pins as the P0.6–P0.5 GPIOs and the alternate functions exist in all the enCoRe II parts

**Bit [4:2]:** P0.4–P0.2 Data / INT2 – INT0

Beside their use as the P0.4–P0.2 GPIOs, these pins can also be used for the alternate functions as the Interrupt pins (INT0–INT2). To configure the P0.4–P0.2 pins, refer to the P0.2/INT0–P0.4/INT2 Configuration Register (Table 14-8)

The use of the pins as the P0.4–P0.2 GPIOs and the alternate functions exist in all the enCoRe II parts

**Bit 1:** P0.1/CLKOUT

Beside its use as the P0.1 GPIO, this pin can also be used for the alternate function as the CLK OUT pin. To configure the P0.1 pin, refer to the P0.1/CLKOUT Configuration Register (Table 14-7)

**Bit 0:** P0.0/CLKIN

Beside its use as the P0.0 GPIO, this pin can also be used for the alternate function as the CLKIN pin. To configure the P0.0 pin, refer to the P0.0/CLKIN Configuration Register (Table 14-6)

#### 14.1.2 P1 Data

**Table 14-2. P1 Data Register (P1DATA) [0x01] [R/W]**

Bit #	7	6	5	4	3	2	1	0
Field	P1.7	P1.6/SMISO	P1.5/SMOSI	P1.4/SCLK	P1.3/SSEL	P1.2/VREG	P1.1/D-	P1.0/D+
Read/Write	R/W	R/W	R/W	R/W	R/W	R/W	R/W	R/W
Default	0	0	0	0	0	0	0	0

This register contains the data for Port 1. Writing to this register sets the bit values to be output on output enabled pins. Reading from this register returns the current state of the Port 1 pins.

**Bit 7:** P1.7 Data

P1.7 only exists in the CY7C638xx and CY7C639xx

**Bit [6:3]:** P1.6–P1.3 Data/SPI Pins (SMISO, SMOSI, SCLK, SSEL)

Beside their use as the P1.6–P1.3 GPIOs, these pins can also be used for the alternate function as the SPI interface pins. To configure the P1.6–P1.3 pins, refer to the P1.3–P1.6 Configuration Register (*Table 14-14*)

The use of the pins as the P1.6–P1.3 GPIOs and the alternate functions exist in all the enCoRe II parts.

**Bit 2:** P1.2/VREG

On the CY7C639xx, this pin can be used as the P1.2 GPIO or the VREG output. If the VREG output is enabled (Bit 0 *Table 19-1* is set), a 3.3V source is placed on the pin and the GPIO function of the pin is disabled

On the CY7C63813, this pin can only be used as the VREG output when USB mode is enabled. In non-USB mode, this pin can be used as the P1.2 GPIO

The VREG output is not available in the CY7C63310 and CY7C63801

**Bit [1:0]:** P1.1–P1.0 / D- and D+

When USB mode is disabled (Bit 7 in *Table 21-1* is clear), the P1.1 and P1.0 bits are used to control the state of the P1.0 and P1.1 pins. When the USB mode is enabled, the P1.1 and P1.0 pins are used as the D- and D+ pins respectively. If the USB Force State bit (Bit 0 in *Table 18-1*) is set, the state of the D- and D+ pins can be controlled by writing to the D- and D+ bits

#### 14.1.3 P2 Data

**Table 14-3. P2 Data Register (P2DATA) [0x02] [R/W]**

Bit #	7	6	5	4	3	2	1	0
Field	P2.7–P2.2						P2.1–P2.0	
Read/Write	R/W	R/W	R/W	R/W	R/W	R/W	R/W	R/W
Default	0	0	0	0	0	0	0	0

This register contains the data for Port 2. Writing to this register sets the bit values to be output on output enabled pins. Reading from this register returns the current state of the Port 2 pins

**Bit [7:2]:** P2 Data [7:2]

P2.7–P2.2 only exist in the CY7C639xx. Note that the CY7C63903-PVXC (28 pin SSOP package) only has P2.7–P2.4

**Bit [1:0]:** P2 Data [1:0]

P2.1–P2.0 only exist in the CY7C63823 and CY7C639xx (except the CY7C63903-PVXC 28 pin SSOP package)

#### 14.1.4 P3 Data

**Table 14-4. P3 Data Register (P3DATA) [0x03] [R/W]**

Bit #	7	6	5	4	3	2	1	0
Field	P3.7–P3.2						P3.1–P3.0	
Read/Write	R/W	R/W	R/W	R/W	R/W	R/W	R/W	R/W
Default	0	0	0	0	0	0	0	0

This register contains the data for Port 3. Writing to this register sets the bit values to be output on output enabled pins. Reading from this register returns the current state of the Port 3 pins

**Bit [7:2]:** P3 Data [7:2]

P3.7–P3.2 only exist in the CY7C639xx. Note that the CY7C63903-PVXC 28 pin SSOP package only has P3.7–P3.4

**Bit [1:0]:** P3 Data [1:0]

P3.1–P3.0 only exist in the CY7C63823 and CY7C639xx (except the CY7C63903-PVXC 28 pin SSOP package)

### 14.1.5 P4 Data

**Table 14-5. P4 Data Register (P4DATA) [0x04] [R/W]**

Bit #	7	6	5	4	3	2	1	0
Field	Reserved				P4.3–P4.0			
Read/Write	R	R	R	R	R/W	R/W	R/W	R/W
Default	0	0	0	0	0	0	0	0

This register contains the data for Port 4. Writing to this register sets the bit values to be output on output-enabled pins. Reading from this register returns the current state of the Port 2 pins

**Bit [7:4]:** Reserved

**Bit [3:0]:** P4 Data [3:0]

P4.3–P4.0 only exist in the CY7C639xx except the CY7C63903-PVXC

## 14.2 GPIO Port Configuration

All the GPIO configuration registers have common configuration controls. The following are the bit definitions of the GPIO configuration registers

### 14.2.1 Int Enable

When set, the Int Enable bit allows the GPIO to generate interrupts. Interrupt generate can occur regardless of whether the pin is configured for input or output. All interrupts are edge sensitive, however for any interrupt that is shared by multiple sources (i.e., Ports 2, 3, and 4) all inputs must be deasserted before a new interrupt can occur.

When clear, the corresponding interrupt is disabled on the pin.

It is possible to configure GPIOs as outputs, enable the interrupt on the pin and then to generate the interrupt by driving the appropriate pin state. This is useful in test and may have value in applications as well.

### 14.2.2 Int Act Low

When set, the corresponding interrupt is active on the falling edge.

When clear, the corresponding interrupt is active on the rising edge.

### 14.2.3 TTL Thresh

When set, the input has TTL threshold. When clear, the input has standard CMOS threshold.

### 14.2.4 High Sink

When set, the output can sink up to 50 mA.

When clear, the output can sink up to 8 mA.

On the CY7C639xx, only the P3.7, P2.7, P0.1, and P0.0 have 50-mA sink drive capability. Other pins have 8-mA sink drive capability.

On the CY7C638xx, only the P1.7–P1.3 have 50-mA sink drive capability. Other pins have 8-mA sink drive capability.

### 14.2.5 Open Drain

When set, the output on the pin is determined by the Port Data Register. If the corresponding bit in the Port Data Register is

set, the pin is in high-impedance state. If the corresponding bit in the Port Data Register is clear, the pin is driven low.

When clear, the output is driven low or high.

### 14.2.6 Pull-up Enable

When set the pin has a 7K pull-up to V<sub>CC</sub> (or VREG for ports with V3.3 enabled).

When clear, the pull-up is disabled.

### 14.2.7 Output Enable

When set, the output driver of the pin is enabled.

When clear, the output driver of the pin is disabled.

For pins with shared functions there are some special cases.

P0.0(CLKIN) and P0.1(CLKOUT) can not be output enabled when the crystal oscillator is enabled. Output enables for these pins are overridden by XOSC Enable.

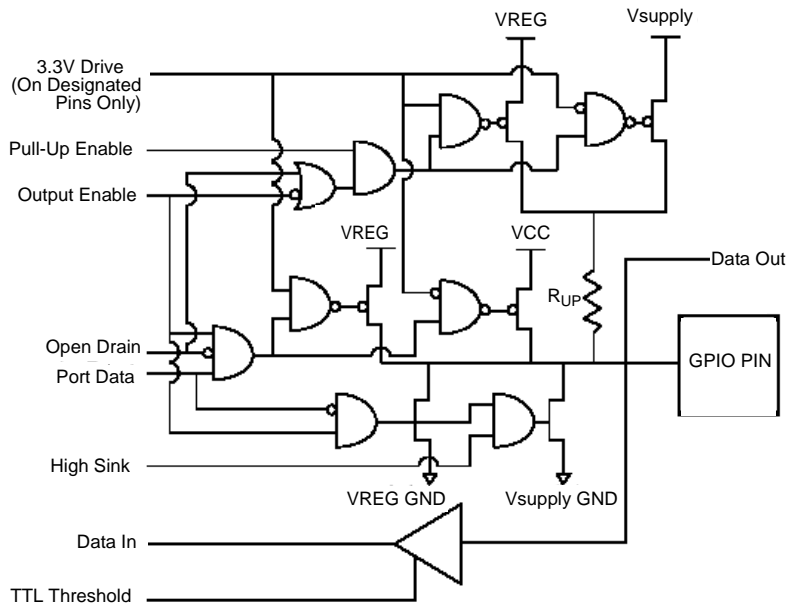
P1.2(VREG), P1.3(SSEL), P1.4(SCLK), P1.5(SMOSI) and P1.6(SMISO) can be used for their dedicated functions or for GPIO. To enable the pin for GPIO use clear the corresponding SPI Use bit or the Output Enable will have no effect.

### 14.2.8 VREG Output / SPI Use

The P1.2(VREG), P1.3(SSEL), P1.4(SCLK), P1.5(SMOSI) and P1.6(SMISO) pins can be used for their dedicated functions or for GPIO. To enable the pin for GPIO, clear the corresponding VREG Output or SPI Use bit. The SPI function controls the output enable for its dedicated function pins when their GPIO enable bit is clear. The VREG output is not available on the CY7C63801 and CY7C63310.

### 14.2.9 3.3V Drive

The P1.3(SSEL), P1.4(SCLK), P1.5(SMOSI) and P1.6(SMISO) pins have an alternate voltage source from the voltage regulator. If the 3.3V Drive bit is set a high level is driven from the voltage regulator instead of from V<sub>CC</sub>. Setting the 3.3V Drive bit does not enable the voltage regulator. That must be done explicitly by setting the VREG Enable bit in the VREGCR Register (Table 19-1).



**Figure 14-1. Block Diagram of a GPIO**

14.2.10 P0.0/CLKIN Configuration

**Table 14-6. P0.0/CLKIN Configuration (P00CR) [0x05] [R/W]**

Bit #	7	6	5	4	3	2	1	0
Field	Reserved	Int Enable	Int Act Low	TTL Thresh	High Sink	Open Drain	Pull-up Enable	Output Enable
Read/Write	--	R/W	R/W	R/W	R/W	R/W	R/W	R/W
Default	0	0	0	0	0	0	0	0

This pin is shared between the P0.0 GPIO use and the CLKIN pin for the external crystal oscillator. When the external oscillator is enabled the settings of this register are ignored. The use of the pin as the P0.0 GPIO is available in all the enCoRe II parts. The alternate function of the pin as the CLKIN is only available in the CY7C639xx. When the external oscillator is enabled (the XOSC Enable bit of the CLKIOCR Register is set—*Table 10-8*), the GPIO function of the pin is disabled. The 50-mA sink drive capability is only available in the CY7C639xx. In the CY7C638xx, only 8-mA sink drive capability is available on this pin regardless of the setting of the High Sink bit.

14.2.11 P0.1/CLKOUT Configuration

**Table 14-7. P0.1/CLKOUT Configuration (P01CR) [0x06] R/W**

Bit #	7	6	5	4	3	2	1	0
Field	CLK Output	Int Enable	Int Act Low	TTL Thresh	High Sink	Open Drain	Pull-up Enable	Output Enable
Read/Write	R/W	R/W	R/W	R/W	R/W	R/W	R/W	R/W
Default	0	0	0	0	0	0	0	0

This pin is shared between the P0.1 GPIO use and the CLKOUT pin for the external crystal oscillator. When the external oscillator is enabled the settings of this register are ignored. When CLK output is set, the internally selected clock is sent out onto P0.1CLKOUT pin. The use of the pin as the P0.1 GPIO is available in all the enCoRe II parts. The alternate function of the pin as the CLKOUT is only available in the CY7C639xx. When the external oscillator is enabled (the XOSC Enable bit of the CLKIOCR Register is set—*Table 10-8*), the GPIO function of the pin is disabled. The 50-mA sink drive capability is only available in the CY7C639xx. In the CY7C638xx, only 8-mA sink drive capability is available on this pin regardless of the setting of the High Sink bit.

**Bit 7: CLK Output**

0 = The clock output is disabled

1 = The clock selected by the CLK Select field (Bit [1:0] of the CLKIOCR Register—*Table 10-8*) is driven out to the pin

14.2.12 P0.2/INT0 – P0.4/INT2 Configuration

**Table 14-8. P0.2/INT0–P0.4/INT2 Configuration (P02CR–P04CR) [0x07–0x09] [R/W]**

Bit #	7	6	5	4	3	2	1	0
Field	Reserved		Int Act Low	TTL Thresh	Reserved	Open Drain	Pull-up Enable	Output Enable
Read/Write	–	–	R/W	R/W	–	R/W	R/W	R/W
Default	0	0	0	0	0	0	0	0

These registers control the operation of pins P0.2–P0.4 respectively. These pins are shared between the P0.2–P0.4 GPIOs and the INT0–INT2. These registers exist in all enCoRe II parts. The INT0–INT2 interrupts are different than all the other GPIO interrupts. These pins are connected directly to the interrupt controller to provide three edge-sensitive interrupts with independent interrupt vectors. These interrupts occur on a rising edge when Int act Low is clear and on a falling edge when Int act Low is set. These pins are enabled as interrupt sources in the interrupt controller registers (*Table 17-8* and *Table 17-6*).

To use these pins as interrupt inputs configure them as inputs by clearing the corresponding Output Enable. If the INT0–INT2 pins are configured as outputs with interrupts enabled, firmware can generate an interrupt by writing the appropriate value to the P0.2, P0.3 and P0.4 data bits in the P0 Data Register

Regardless of whether the pins are used as Interrupt or GPIO pins the Int Enable, Int act Low, TTL Threshold, Open Drain, and Pull-up Enable bits control the behavior of the pin

The P0.2/INT0–P0.4/INT2 pins are individually configured with the P02CR (0x07), P03CR (0x08), and P04CR (0x09) respectively.

**Note:** Changing the state of the Int Act Low bit can cause an unintentional interrupt to be generated. When configuring these interrupt sources, it is best to follow the following procedure:

1. Disable interrupt source
2. Configure interrupt source
3. Clear any pending interrupts from the source
4. Enable interrupt source

14.2.13 P0.5/TIO0 – P0.6/TIO1 Configuration

**Table 14-9. P0.5/TIO0 – P0.6/TIO1 Configuration (P05CR–P06CR) [0x0A–0x0B] [R/W]**

Bit #	7	6	5	4	3	2	1	0
Field	TIO Output	Int Enable	Int Act Low	TTL Thresh	Reserved	Open Drain	Pull-up Enable	Output Enable
Read/Write	–	R/W	R/W	R/W	–	R/W	R/W	R/W
Default	0	0	0	0	0	0	0	0

These registers control the operation of pins P0.5 through P0.6, respectively. These registers exist in all enCoRe II parts. P0.5 and P0.6 are shared with TIO0 and TIO1, respectively. To use these pins as Capture Timer inputs, configure them as inputs by clearing the corresponding Output Enable. To use TIO0 and TIO1 as Timer outputs, set the TIOx Output and Output Enable bits. If these pins are configured as outputs and the TIO Output bit is clear, firmware can control the TIO0 and TIO1 inputs by writing the value to the P0.5 and P0.6 data bits in the P0 Data Register

Regardless of whether either pin is used as a TIO or GPIO pin the Int Enable, Int act Low, TTL Threshold, Open Drain, and Pull-up Enable control the behavior of the pin.

TIO0(P0.5) when enabled outputs a positive pulse from the 1024- $\mu$ s interval timer. This is the same signal that is used internally to generate the 1024- $\mu$ s timer interrupt. This signal is not gated by the interrupt enable state.

TIO1(P0.6) when enabled outputs a positive pulse from the programmable interval timer. This is the same signal that is used internally to generate the programmable timer interval interrupt. This signal is not gated by the interrupt enable state

The P0.5/TIO0 and P0.6/TIO1 pins are individually configured with the P05CR (0x0A) and P06CR (0x0B), respectively

14.2.14 P0.7 Configuration

**Table 14-10. P0.7 Configuration (P07CR) [0x0C] [R/W]**

Bit #	7	6	5	4	3	2	1	0
Field	Reserved	Int Enable	Int Act Low	TTL Thresh	Reserved	Open Drain	Pull-up Enable	Output Enable
Read/Write	–	R/W	R/W	R/W	–	R/W	R/W	R/W
Default	0	0	0	0	0	0	0	0

This register controls the operation of pin P0.7. The P0.7 pin only exists in the CY7C638xx and CY7C639xx

14.2.15 P1.0/D+ Configuration

**Table 14-11. P1.0/D+ Configuration (P10CR) [0x0D] [R/W]**

Bit #	7	6	5	4	3	2	1	0
Field	Reserved	Int Enable	Int Act Low	Reserved			PS/2 Pull-up Enable	Output Enable
Read/Write	R/W	R/W	R/W	–	–	–	R/W	R/W
Default	0	0	0	0	0	0	0	0

This register controls the operation of the P1.0 (D+) pin when the USB interface is not enabled, allowing the pin to be used as a PS2 interface or a GPIO. See *Table 21-1* for information on enabling USB. When USB is enabled, none of the controls in this register have any affect on the P1.0 pin.

**Note:** The P1.0 is an open drain only output. It can actively drive a signal low, but cannot actively drive a signal high.

**Bit 1:** PS/2 Pull-up Enable

0 = Disable the 5K-ohm pull-up resistors

1 = Enable 5K-ohm pull-up resistors for both P1.0 and P1.1. Enable the use of the P1.0 (D+) and P1.1 (D–) pins as a PS2 style interface

14.2.16 P1.1/D– Configuration

**Table 14-12. P1.1/D– Configuration (P11CR) [0x0E] [R/W]**

Bit #	7	6	5	4	3	2	1	0
Field	Reserved	Int Enable	Int Act Low	Reserved			Open Drain	Output Enable
Read/Write	–	R/W	R/W	–	–	R/W	–	R/W
Default	0	0	0	0	0	0	0	0

This register controls the operation of the P1.1 (D–) pin when the USB interface is not enabled, allowing the pin to be used as a PS2 interface or a GPIO. See *Table 21-1* for information on enabling USB. When USB is enabled, none of the controls in this register have any affect on the P1.1 pin. When USB is disabled, the 5-Kohm pull-up resistor on this pin can be enabled by the PS/2 Pull-up Enable bit of the P10CR Register (*Table 14-11*)

**Note:** There is no 2-mA sourcing capability on this pin. The pin can only sink 5 mA at  $V_{OL3}$  (Section 26.0)

14.2.17 P1.2 Configuration

**Table 14-13. P1.2 Configuration (P12CR) [0x0F] [R/W]**

Bit #	7	6	5	4	3	2	1	0
Field	CLK Output	Int Enable	Int Act Low	TTL Threshold	Reserved	Open Drain	Pull-up Enable	Output Enable
Read/Write	R/W	R/W	R/W	R/W	–	R/W	R/W	R/W
Default	0	0	0	0	0	0	0	0

This register controls the operation of the P1.2

**Bit 7:** CLK Output

0 = The internally selected clock is not sent out onto P1.2 pin

1 = This CLK Output is used to observe connected external crystal oscillator clock connected in CY7C639xx. When CLK Output is set, the internally selected clock is sent out onto P1.2 pin

14.2.18 P1.3 Configuration (SSEL)

**Table 14-14. P1.3 Configuration (P13CR) [0x10] [R/W]**

Bit #	7	6	5	4	3	2	1	0
Field	Reserved	Int Enable	Int Act Low	3.3V Drive	High Sink	Open Drain	Pull-up Enable	Output Enable
Read/Write	–	R/W	R/W	R/W	R/W	R/W	R/W	R/W
Default	0	0	0	0	0	0	0	0

This register controls the operation of the P1.3 pin. This register exists in all enCoRe II parts

The P1.3 GPIO's threshold is always set to TTL

When the SPI hardware is enabled, the output enable and output state of the pin is controlled by the SPI circuitry. When the SPI hardware is disabled, the pin is controlled by the Output Enable bit and the corresponding bit in the P1 data register.

Regardless of whether the pin is used as an SPI or GPIO pin the Int Enable, Int act Low, 3.3V Drive, High Sink, Open Drain, and Pull-up Enable control the behavior of the pin

The 50-mA sink drive capability is only available in the CY7C638xx. In the CY7C639xx, only 8-mA sink drive capability is available on this pin regardless of the setting of the High Sink bit



14.2.19 P1.4 – P1.6 Configuration (SCLK, SMOSI, SMISO)

**Table 14-15. P1.4–P1.6 Configuration (P14CR–P16CR) [0x11–0x13] [R/W]**

Bit #	7	6	5	4	3	2	1	0
Field	SPI Use	Int Enable	Int Act Low	3.3V Drive	High Sink	Open Drain	Pull-up Enable	Output Enable
Read/Write	R/W	R/W	R/W	R/W	R/W	R/W	R/W	R/W
Default	0	0	0	0	0	0	0	0

These registers control the operation of pins P1.4–P1.6, respectively. These registers exist in all enCoRe II parts. The P1.4–P1.6 GPIO's threshold is always set to TTL. When the SPI hardware is enabled, pins that are configured as SPI Use have their output enable and output state controlled by the SPI circuitry. When the SPI hardware is disabled or a pin has its SPI Use bit clear, the pin is controlled by the Output Enable bit and the corresponding bit in the P1 data register. Regardless of whether any pin is used as an SPI or GPIO pin the Int Enable, Int act Low, 3.3V Drive, High Sink, Open Drain, and Pull-up Enable control the behavior of the pin. The 50-mA sink drive capability is only available in the CY7C638xx. In the CY7C639xx, only 8-mA sink drive capability is available on this pin regardless of the setting of the High Sink bit.

**Bit 7: SPI Use**  
0 = Disable the SPI alternate function. The pin is used as a GPIO  
1 = Enable the SPI function. The SPI circuitry controls the output of the pin

**Important Note for Comm Modes 01 or 10 (SPI Master or SPI Slave, see Table 15-2):**  
When configured for SPI (SPI Use = 1 and Comm Modes [1:0] = SPI Master or SPI Slave mode), the input/output direction of pins P1.3, P1.5, and P1.6 is set automatically by the SPI logic. However, pin P1.4's input/output direction is NOT automatically set; it must be explicitly set by firmware. For SPI Master mode, pin P1.4 must be configured as an output; for SPI Slave mode, pin P1.4 must be configured as an input.

14.2.20 P1.7 Configuration

**Table 14-16. P1.7 Configuration (P17CR) [0x14] [R/W]**

Bit #	7	6	5	4	3	2	1	0
Field	Reserved	Int Enable	Int Act Low	TTL Thresh	High Sink	Open Drain	Pull-up Enable	Output Enable
Read/Write	–	R/W	R/W	R/W	R/W	R/W	R/W	R/W
Default	0	0	0	0	0	0	1	0

This register controls the operation of pin P1.7. This register only exists in CY7C638xx and CY7C639xx. The 50-mA sink drive capability is only available in the CY7C638xx. In the CY7C639xx, only 8-mA sink drive capability is available on this pin regardless of the setting of the High Sink bit. The P1.7 GPIO's threshold is always set to TTL.

14.2.21 P2 Configuration

**Table 14-17. P2 Configuration (P2CR) [0x15] [R/W]**

Bit #	7	6	5	4	3	2	1	0
Field	Reserved	Int Enable	Int Act Low	TTL Thresh	High Sink	Open Drain	Pull-up Enable	Output Enable
Read/Write	–	R/W	R/W	R/W	R/W	R/W	R/W	R/W
Default	0	0	0	0	0	0	0	0

This register only exists in CY7C638xx and CY7C639xx. In CY7C638xx this register controls the operation of pins P2.0–P2.1. In the CY7C639xx, this register controls the operation of pins P2.0–P2.7. The 50-mA sink drive capability is only available on pin P2.7 and only on the CY7C639xx. In the CY7C638xx, only 8-mA sink drive capability is available on this pin regardless of the setting of the High Sink bit.

14.2.22 P3 Configuration

**Table 14-18. P3 Configuration (P3CR) [0x16] [R/W]**

Bit #	7	6	5	4	3	2	1	0
Field	Reserved	Int Enable	Int Act Low	TTL Thresh	High Sink	Open Drain	Pull-up Enable	Output Enable
Read/Write	–	R/W	R/W	R/W	R/W	R/W	R/W	R/W
Default	0	0	0	0	0	0	1	0

This register exists in CY7C638xx and CY7C639xx. In CY7C638xx this register controls the operation of pins P3.0–P3.1. In the CY7C639xx, this register controls the operation of pins P3.0–P3.7. The 50-mA sink drive capability is only available on pin P3.7 and only on the CY7C639xx. In the CY7C638xx, only 8-mA sink drive capability is available on this pin regardless of the setting of the High Sink bit.

### 14.2.23 P4 Configuration

**Table 14-19. P4 Configuration (P4CR) [0x17] [R/W]**

Bit #	7	6	5	4	3	2	1	0
Field	Reserved	Int Enable	Int Act Low	TTL Thresh	Reserved	Open Drain	Pull-up Enable	Output Enable
Read/Write	–	R/W	R/W	R/W	–	R/W	R/W-	R/W
Default	0	0	0	0	0	0	0	0

This register exists only in the CY7C639xx. This register controls the operation of pins P4.0–P4.3

## 15.0 Serial Peripheral Interface (SPI)

The SPI Master/Slave Interface core logic runs on the SPI clock domain, making its functionality independent of system clock speed. SPI is a four pin serial interface comprised of a clock, an enable and two data pins.

### 15.1 SPI Data Register

**Table 15-1. SPI Data Register (SPIDATA) [0x3C] [R/W]**

Bit #	7	6	5	4	3	2	1	0
Field	SPIData[7:0]							
Read/Write	R/W	R/W	R/W	R/W	R/W	R/W	R/W	R/W
Default	0	0	0	0	0	0	0	0

When read, this register returns the contents of the receive buffer. When written, it loads the transmit holding register

**Bit [7:0]:** SPI Data [7:0]

When an interrupt occurs to indicate to firmware that a byte of receive data is available, or the transmitter holding register is empty, firmware has 7 SPI clocks to manage the buffers—to

empty the receiver buffer, or to refill the transmit holding register. Failure to meet this timing requirement will result in incorrect data transfer.

## 15.2 SPI Configure Register

**Table 15-2. SPI Configure Register (SPICR) [0x3D] [R/W]**

Bit #	7	6	5	4	3	2	1	0
Field	Swap	LSB First	Comm Mode		CPOL	CPHA	SCLK Select	
Read/Write	R/W	R/W	R/W	R/W	R/W	R/W	R/W	R/W
Default	0	0	0	0	0	0	0	0

### Bit 7: Swap

0 = Swap function disabled

1 = The SPI block swaps its use of SMOSI and SMISO. Among other things, this can be useful in implementing single wire SPI-like communications

### Bit 6: LSB First

0 = The SPI transmits and receives the MSB (Most Significant Bit) first

1 = The SPI transmits and receives the LSB (Least Significant Bit) first.

### Bit [5:4]: Comm Mode [1:0]

0 0: All SPI communication disabled

0 1: SPI master mode

1 0: SPI slave mode

1 1: Reserved

### Bit 3: CPOL

This bit controls the SPI clock (SCLK) idle polarity

0 = SCLK idles low

1 = SCLK idles high

### Bit 2: CPHA

The Clock Phase bit controls the phase of the clock on which data is sampled. *Table 15-3* below shows the timing for the various combinations of LSB First, CPOL, and CPHA

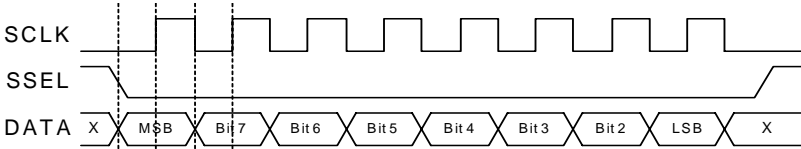
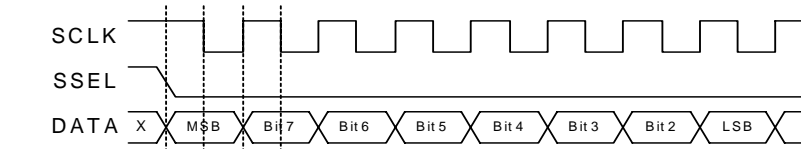
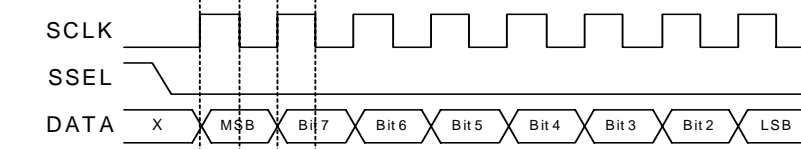
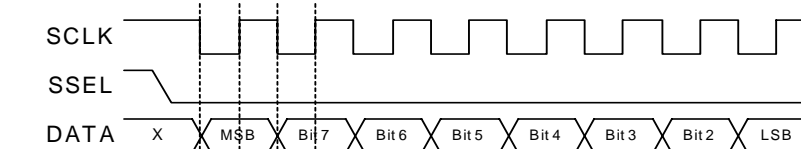
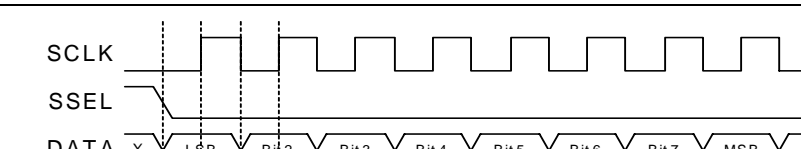
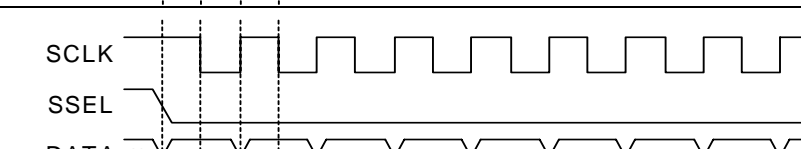
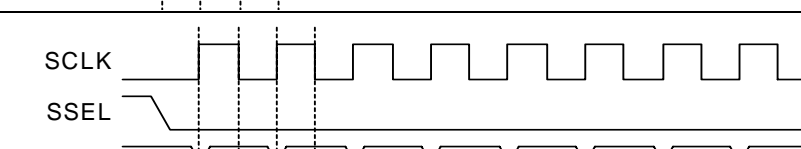
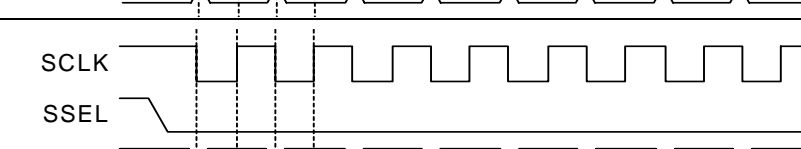
### Bit [1:0]: SCLK Select

This field selects the speed of the master SCLK. When in master mode, SCLK is generated by dividing the base CPUCLK

### Important Note for Comm Modes 01b or 10b (SPI Master or SPI Slave):

When configured for SPI, (SPI Use = 1—*Table 14-15*), the input/output direction of pins P1.3, P1.5, and P1.6 is set automatically by the SPI logic. However, pin P1.4's input/output direction is NOT automatically set; it must be explicitly set by firmware. For SPI Master mode, pin P1.4 must be configured as an output; for SPI Slave mode, pin P1.4 must be configured as an input.

**Table 15-3. SPI Mode Timing vs. LSB First, CPOL and CPHA**

LSB First	CPHA	CPOL	Diagram
0	0	0	 <p>SCLK</p> <p>SSEL</p> <p>DATA X MSB Bit 7 Bit 6 Bit 5 Bit 4 Bit 3 Bit 2 LSB X</p>
0	0	1	 <p>SCLK</p> <p>SSEL</p> <p>DATA X MSB Bit 7 Bit 6 Bit 5 Bit 4 Bit 3 Bit 2 LSB X</p>
0	1	0	 <p>SCLK</p> <p>SSEL</p> <p>DATA X MSB Bit 7 Bit 6 Bit 5 Bit 4 Bit 3 Bit 2 LSB X</p>
0	1	1	 <p>SCLK</p> <p>SSEL</p> <p>DATA X MSB Bit 7 Bit 6 Bit 5 Bit 4 Bit 3 Bit 2 LSB X</p>
1	0	0	 <p>SCLK</p> <p>SSEL</p> <p>DATA X LSB Bit 2 Bit 3 Bit 4 Bit 5 Bit 6 Bit 7 MSB X</p>
1	0	1	 <p>SCLK</p> <p>SSEL</p> <p>DATA X LSB Bit 2 Bit 3 Bit 4 Bit 5 Bit 6 Bit 7 MSB X</p>
1	1	0	 <p>SCLK</p> <p>SSEL</p> <p>DATA X LSB Bit 2 Bit 3 Bit 4 Bit 5 Bit 6 Bit 7 MSB X</p>
1	1	1	 <p>SCLK</p> <p>SSEL</p> <p>DATA X LSB Bit 2 Bit 3 Bit 4 Bit 5 Bit 6 Bit 7 MSB X</p>

**Table 15-4. SPI SCLK Frequency**

SCLK Select	CPUCLK Divisor	SCLK Frequency when CPUCLK =	
		12 MHz	24 MHz
00	6	2 MHz	4 MHz
01	12	1 MHz	2 MHz
10	48	250 KHz	500 KHz
11	96	125 KHz	250 KHz

### 15.3 SPI Interface Pins

The SPI interface uses the P1.3–P1.6 pins. These pins are configured using the P1.3 and P1.4–P1.6 Configuration.

## 16.0 Timer Registers

All timer functions of the enCoRe II are provided by a single timer block. The timer block is asynchronous from the CPU clock.

### 16.1 Registers

#### 16.1.1 Free-running Timer Low-order Byte

**Table 16-1. Free-running Timer Low-order Byte (FRTMRL) [0x20] [R/W]**

Bit #	7	6	5	4	3	2	1	0
Field	Free-running Timer [7:0]							
Read/Write	R/W	R/W	R/W	R/W	R/W	R/W	R/W	R/W
Default	0	0	0	0	0	0	0	0

**Bit [7:0]:** Free-running Timer [7:0]

This register holds the low-order byte of the 16-bit free-running timer. Reading this register causes the high-order byte to be moved into a holding register allowing an automatic read of all 16 bits simultaneously. For reads, the actual read occurs in the cycle when the low order is read. For writes, the actual time the write occurs is the cycle when the high order is written. When reading the Free Running Timer, the low-order byte should be read first and the high-order second. When writing, the low-order byte should be written first then the high-order byte

#### 16.1.2 Free-running Timer High-order Byte

**Table 16-2. Free-running Timer High-order Byte (FRTMRH) [0x21] [R/W]**

Bit #	7	6	5	4	3	2	1	0
Field	Free-running Timer [15:8]							
Read/Write	R/W	R/W	R/W	R/W	R/W	R/W	R/W	R/W
Default	0	0	0	0	0	0	0	0

**Bit [7:0]:** Free-running Timer [15:8]

When reading the Free-running Timer, the low-order byte should be read first and the high-order second. When writing, the low-order byte should be written first then the high-order byte

#### 16.1.3 Timer Capture 0 Rising

**Table 16-3. Timer Capture 0 Rising (TCAP0R) [0x22] [R/W]**

Bit #	7	6	5	4	3	2	1	0
Field	Capture 0 Rising [7:0]							
Read/Write	R/W	R/W	R/W	R/W	R/W	R/W	R/W	R/W
Default	0	0	0	0	0	0	0	0

**Bit [7:0]:** Capture 0 Rising [7:0]

This register holds the value of the Free-running Timer when the last rising edge occurred on the TCAP0 input. When Capture 0 is in 8-bit mode, the bits that are stored here are selected by the Prescale [2:0] bits in the Timer Configuration register. When Capture 0 is in 16-bit mode this register holds the lower order 8 bits of the 16-bit timer

16.1.4 Capture 1 Rising

**Table 16-4. Timer Capture 1 Rising (TCAP1R) [0x23] [R/W]**

Bit #	7	6	5	4	3	2	1	0
Field	Capture 1 Rising [7:0]							
Read/Write	R/W	R/W	R/W	R/W	R/W	R/W	R/W	R/W
Default	0	0	0	0	0	0	0	0

**Bit [7:0]:** Capture 1 Rising [7:0]

This register holds the value of the Free-running Timer when the last rising edge occurred on the TCAP1 input. The bits that are stored here are selected by the Prescale [2:0] bits in the Timer Configuration register. When Capture 0 is in 16-bit mode this register holds the high-order 8 bits of the 16-bit timer from the last Capture 0 rising edge. When Capture 0 is in 16-bit mode this register will be loaded with high-order 8 bits of the 16-bit timer on TCAP0 rising edge

16.1.5 Timer Capture 0 Falling

**Table 16-5. Timer Capture 0 Falling (TCAP0F) [0x24] [R/W]**

Bit #	7	6	5	4	3	2	1	0
Field	Capture 0 Falling [7:0]							
Read/Write	R/W	R/W	R/W	R/W	R/W	R/W	R/W	R/W
Default	0	0	0	0	0	0	0	0

**Bit [7:0]:** Capture 0 Falling [7:0]

This register holds the value of the Free-running Timer when the last falling edge occurred on the TCAP0 input. When Capture 0 is in 8-bit mode, the bits that are stored here are selected by the Prescale [2:0] bits in the Timer Configuration register. When Capture 0 is in 16-bit mode this register holds the lower-order 8 bits of the 16-bit timer

16.1.6 Timer Capture 1 Falling

**Table 16-6. Timer Capture 1 Falling (TCAP1F) [0x25] [R/W]**

Bit #	7	6	5	4	3	2	1	0
Field	Capture 1 Falling [7:0]							
Read/Write	R/W	R/W	R/W	R/W	R/W	R/W	R/W	R/W
Default	0	0	0	0	0	0	0	0

**Bit [7:0]:** Capture 1Falling [7:0]

This register holds the value of the Free-running Timer when the last falling edge occurred on the TCAP1 input. The bits that are stored here are selected by the Prescale [2:0] bits in the Timer Configuration register. When capture 0 is in 16-bit mode this register holds the high-order 8 bits of the 16-bit timer from the last Capture 0 falling edge. When Capture 0 is in 16-bit mode this register will be loaded with high-order 8 bits of the 16-bit timer on TCAP0 falling edge

16.1.7 Programmable Interval Low Byte

**Table 16-7. Programmable Interval Timer Low (PITMRL) [0x26] [R/W]**

Bit #	7	6	5	4	3	2	1	0
Field	Prog Interval Timer [7:0]							
Read/Write	R/W	R/W	R/W	R/W	R/W	R/W	R/W	R/W
Default	0	0	0	0	0	0	0	0

**Bit [7:0]:** Prog Interval Timer [7:0]

This register holds the low-order byte of the 12-bit programmable interval timer. Reading this register causes the high-order byte to be moved into a holding register allowing an automatic read of all 12 bits simultaneously

16.1.8 Programmable Interval High Byte

**Table 16-8. Programmable Interval Timer High (PITMRH) [0x27] [R/W]**

Bit #	7	6	5	4	3	2	1	0
Field	Reserved				Prog Interval Timer [11:8]			
Read/Write	–	–	–	–	R/W	R/W	R/W	R/W
Default	0	0	0	0	0	0	0	0

**Bit [7:4]:** Reserved

**Bit [3:0]:** Prog Interval Timer [11:8]

This register holds the high-order nibble of the 12-bit programmable interval timer. Reading this register returns the high-order nibble of the 12-bit timer at the instant that the low-order byte was last read

16.1.9 Programmable Interval Reload Low Byte

**Table 16-9. Programmable Interval Reload Low (PIRL) [0x28] [R/W]**

Bit #	7	6	5	4	3	2	1	0
Field	Prog Interval [7:0]							
Read/Write	R/W	R/W	R/W	R/W	R/W	R/W	R/W	R/W
Default	0	0	0	0	0	0	0	0

**Bit [7:0]:** Prog Interval [7:0]

This register holds the lower 8 bits of the timer. While writing into the 12-bit reload register, write lower byte first then the higher nibble

16.1.10 Programmable Interval Reload High Byte

**Table 16-10. Programmable Interval Reload High (PIRH) [0x29] [R/W]**

Bit #	7	6	5	4	3	2	1	0
Field	Reserved				Prog Interval[11:8]			
Read/Write	–	–	–	–	R/W	R/W	R/W	R/W
Default	0	0	0	0	0	0	0	0

**Bit [7:4]:** Reserved

**Bit [3:0]:** Prog Interval [11:8]

This register holds the higher 4 bits of the timer. While writing into the 12-bit reload register, write lower byte first then the higher nibble

16.1.11 Timer Configuration

**Table 16-11. Timer Configuration (TMRCR) [0x2A] [R/W]**

Bit #	7	6	5	4	3	2	1	0
Field	First Edge Hold	8-bit Capture Prescale [2:0]			Cap0 16bit Enable	Reserved		
Read/Write	R/W	R/W	R/W	R/W	R/W	–	–	–
Default	0	0	0	0	0	0	0	0

**Bit 7: First Edge Hold**

The First Edge Hold function applies to all four capture timers.  
 0 = The time of the most recent edge is held in the Capture Timer Data Register. If multiple edges have occurred since reading the capture timer, the time for the most recent one will be read  
 1 = The time of the first occurrence of an edge is held in the Capture Timer Data Register until the data is read. Subsequent edges are ignored until the Capture Timer Data Register is read.

**Bit [6:4]: 8-bit Capture Prescale [2:0]**

This field controls which 8 bits of the 16 Free Running Timer are captured when in bit mode

- 0 0 0 = capture timer[7:0]
- 0 0 1 = capture timer[8:1]
- 0 1 0 = capture timer[9:2]
- 0 1 1 = capture timer[10:3]
- 1 0 0 = capture timer[11:4]
- 1 0 1 = capture timer[12:5]
- 1 1 0 = capture timer[13:6]
- 1 1 1 = capture timer[14:7]

**Bit 3: Cap0 16-bit Enable**

0 = Capture 0 16-bit mode is disabled  
 1 = Capture 0 16-bit mode is enabled. Capture 1 is disabled and the Capture 1 rising and falling registers are used as an extension to the Capture 0 registers—extending them to 16 bits

**Bit [2:0]: Reserved**

16.1.12 Capture Interrupt Enable

**Table 16-12. Capture Interrupt Enable (TCAPINTE) [0x2B] [R/W]**

Bit #	7	6	5	4	3	2	1	0
Field	Reserved				Cap1 Fall Enable	Cap1 Rise Enable	Cap0 Fall Enable	Cap0 Rise Enable
Read/Write	–	–	–	–	R/W	R/W	R/W	R/W
Default	0	0	0	0	0	0	0	0

**Bit [7:4]: Reserved**

**Bit 3: Cap1 Fall Enable**

0 = Disable the capture 1 falling edge interrupt  
 1 = Enable the capture 1 falling edge interrupt

**Bit 2: Cap1 Rise Enable**

0 = Disable the capture 1 rising edge interrupt  
 1 = Enable the capture 1 rising edge interrupt

**Bit 1: Cap0 Fall Enable**

0 = Disable the capture 0 falling edge interrupt  
 1 = Enable the capture 0 falling edge interrupt

**Bit 0: Cap0 Rise Enable**

0 = Disable the capture 0 rising edge interrupt  
 1 = Enable the capture 0 rising edge interrupt



16.1.13 Capture Interrupt Status

**Table 16-13. Capture Interrupt Status (TCAPINTS) [0x2C] [R/W]**

Bit #	7	6	5	4	3	2	1	0
Field	Reserved				Cap1 Fall Active	Cap1 Rise Active	Cap0 Fall Active	Cap0 Rise Active
Read/Write	–	–	–	–	R/W	R/W	R/W	R/W
Default	0	0	0	0	0	0	0	0

**Bit [7:4]:** Reserved  
**Bit 3:** Cap1 Fall Active  
 0 = No event  
 1 = A falling edge has occurred on Cap1  
**Bit 2:** Cap1 Rise Active  
 0 = No event  
 1 = A rising edge has occurred on Cap1  
**Bit 1:** Cap0 Fall Active  
 0 = No event  
 1 = A falling edge has occurred on Cap0  
**Bit 0:** Cap0 Rise Active  
 0 = No event  
 1 = A rising edge has occurred on Cap0

**17.0 Interrupt Controller**

The interrupt controller and its associated registers allow the user’s code to respond to an interrupt from almost every functional block in the enCoRe II devices. The registers associated with the interrupt controller allow interrupts to be disabled either globally or individually. The registers also provide a mechanism by which a user may clear all pending and posted interrupts, or clear individual posted or pending interrupts.

The following table lists all interrupts and the priorities that are available in the enCoRe II devices.

**Table 17-1. Interrupt Numbers, Priorities, Vectors**

Interrupt Priority	Interrupt Address	Name
0	0000h	Reset
1	0004h	POR/LVD
2	0008h	INT0
3	000Ch	SPI Transmitter Empty
4	0010h	SPI Receiver Full
5	0014h	GPIO Port 0
6	0018h	GPIO Port 1
7	001Ch	INT1
8	0020h	EP0
9	0024h	EP1
10	0028h	EP2
11	002Ch	USB Reset
12	0030h	USB Active
13	0034h	1-mS Interval timer
14	0038h	Programmable Interval Timer
15	003Ch	Timer Capture 0
16	0040h	Timer Capture 1

**Table 17-1. Interrupt Numbers, Priorities, Vectors (contin-**

Interrupt Priority	Interrupt Address	Name
17	0044h	16-bit Free Running Timer Wrap
18	0048h	INT2
19	004Ch	PS2 Data Low
20	0050h	GPIO Port 2
21	0054h	GPIO Port 3
22	0058h	GPIO Port 4
23	005Ch	Reserved
24	0060h	Reserved
25	0064h	Sleep Timer

**17.1 Architectural Description**

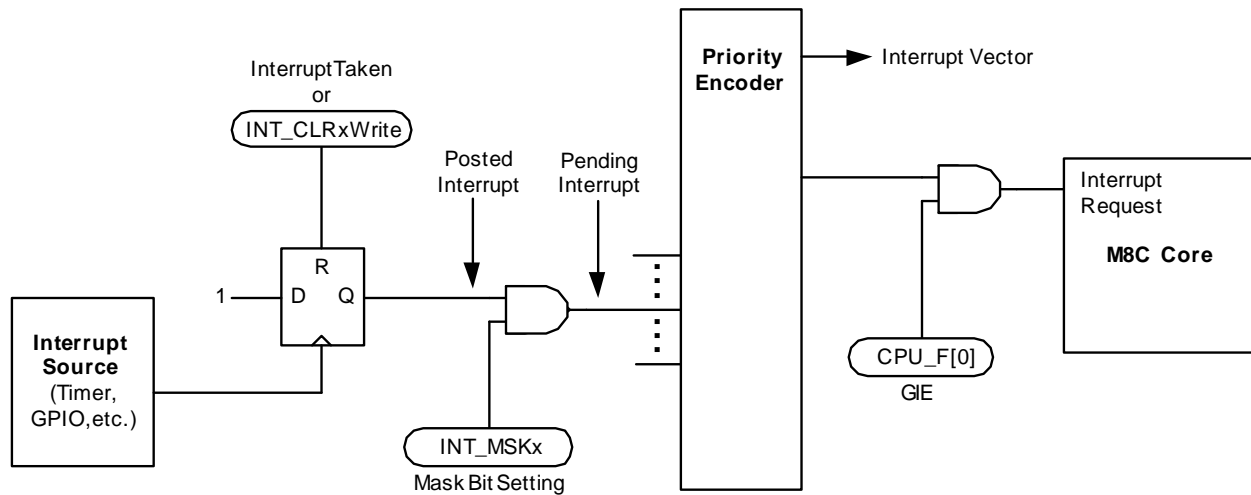
An interrupt is posted when its interrupt conditions occur. This results in the flip-flop in *Figure 17-1* clocking in a ‘1’. The interrupt will remain posted until the interrupt is taken or until it is cleared by writing to the appropriate INT\_CLR<sub>x</sub> register.

A posted interrupt is not pending unless it is enabled by setting its interrupt mask bit (in the appropriate INT\_MSK<sub>x</sub> register). All pending interrupts are processed by the Priority Encoder to determine the highest priority interrupt which will be taken by the M8C if the Global Interrupt Enable bit is set in the CPU\_F register.

Disabling an interrupt by clearing its interrupt mask bit (in the INT\_MSK<sub>x</sub> register) does not clear a posted interrupt, nor does it prevent an interrupt from being posted. It simply prevents a posted interrupt from becoming pending.

Nested interrupts can be accomplished by re-enabling interrupts inside an interrupt service routine. To do this, set the IE bit in the Flag Register.

A block diagram of the enCoRe II Interrupt Controller is shown in *Figure 17-1*.



**Figure 17-1. Interrupt Controller Block Diagram**

## 17.2 Interrupt Processing

The sequence of events that occur during interrupt processing is as follows:

1. An interrupt becomes active, either because:
  - a. The interrupt condition occurs (e.g., a timer expires)
  - b. A previously posted interrupt is enabled through an update of an interrupt mask register
  - c. An interrupt is pending and GIE is set from 0 to 1 in the CPU Flag register.
2. The current executing instruction finishes.
3. The internal interrupt is dispatched, taking 13 cycles. During this time, the following actions occur: the MSB and LSB of Program Counter and Flag registers (CPU\_PC and CPU\_F) are stored onto the program stack by an automatic CALL instruction (13 cycles) generated during the interrupt acknowledge process.
  - a. The PCH, PCL, and Flag register (CPU\_F) are stored onto the program stack (in that order) by an automatic CALL instruction (13 cycles) generated during the interrupt acknowledge process
  - b. The CPU\_F register is then cleared. Since this clears the GIE bit to 0, additional interrupts are temporarily disabled
  - c. The PCH (PC[15:8]) is cleared to zero
  - d. The interrupt vector is read from the interrupt controller and its value placed into PCL (PC[7:0]). This sets the program counter to point to the appropriate address in the interrupt table (e.g., 0004h for the POR/LVD interrupt)
4. Program execution vectors to the interrupt table. Typically, a LJMP instruction in the interrupt table sends execution to the user's Interrupt Service Routine (ISR) for this interrupt
5. The ISR executes. Note that interrupts are disabled since GIE = 0. In the ISR, interrupts can be re-enabled if desired

by setting GIE = 1 (care must be taken to avoid stack overflow).

6. The ISR ends with a RETI instruction which restores the Program Counter and Flag registers (CPU\_PC and CPU\_F). The restored Flag register re-enables interrupts, since GIE = 1 again.
7. Execution resumes at the next instruction, after the one that occurred before the interrupt. However, if there are more pending interrupts, the subsequent interrupts will be processed before the next normal program instruction.

## 17.3 Interrupt Latency

The time between the assertion of an enabled interrupt and the start of its ISR can be calculated from the following equation.

Latency = Time for current instruction to finish + Time for internal interrupt routine to execute + Time for LJMP instruction in interrupt table to execute.

For example, if the 5-cycle JMP instruction is executing when an interrupt becomes active, the total number of CPU clock cycles before the ISR begins would be as follows:

(1 to 5 cycles for JMP to finish) + (13 cycles for interrupt routine) + (7 cycles for LJMP) = 21 to 25 cycles.

In the example above, at 24 MHz, 25 clock cycles take 1.042 ms.

## 17.4 Interrupt Registers

### 17.4.1 Interrupt Clear Register

The Interrupt Clear Registers (INT\_CLRx) are used to enable the individual interrupt sources' ability to clear posted interrupts.

When an INT\_CLRx register is read, any bits that are set indicates an interrupt has been posted for that hardware resource. Therefore, reading these registers gives the user the ability to determine all posted interrupts.

**Table 17-2. Interrupt Clear 0 (INT\_CLR0) [0xDA] [R/W]**

Bit #	7	6	5	4	3	2	1	0
Field	GPIO Port 1	Sleep Timer	INT1	GPIO Port 0	SPI Receive	SPI Transmit	INT0	POR/LVD
Read/Write	R/W	R/W	R/W	R/W	R/W	R/W	R/W	R/W
Default	0	0	0	0	0	0	0	0

When reading this register,  
 0 = There's no posted interrupt for the corresponding hardware  
 1 = Posted interrupt for the corresponding hardware present  
 Writing a '0' to the bits will clear the posted interrupts for the corresponding hardware. Writing a '1' to the bits AND to the ENSWINT (Bit 7 of the INT\_MSK3 Register) will post the corresponding hardware interrupt

**Table 17-3. Interrupt Clear 1 (INT\_CLR1) [0xDB] [R/W]**

Bit #	7	6	5	4	3	2	1	0
Field	TCAP0	Prog Interval Timer	1-ms Timer	USB Active	USB Reset	USB EP2	USB EP1	USB EP0
Read/Write	R/W	R/W	R/W	R/W	R/W	R/W	R/W	R/W
Default	0	0	0	0	0	0	0	0

When reading this register,  
 0 = There's no posted interrupt for the corresponding hardware  
 1 = Posted interrupt for the corresponding hardware present  
 Writing a '0' to the bits will clear the posted interrupts for the corresponding hardware. Writing a '1' to the bits AND to the ENSWINT (Bit 7 of the INT\_MSK3 Register) will post the corresponding hardware interrupt

**Table 17-4. Interrupt Clear 2 (INT\_CLR2) [0xDC] [R/W]**

Bit #	7	6	5	4	3	2	1	0
Field	Reserved	GPIO Port 4	GPIO Port 3	GPIO Port 2	PS/2 Data Low	INT2	16-bit Counter Wrap	TCAP1
Read/Write	R/W	R/W	R/W	R/W	R/W	R/W	R/W	R/W
Default	0	0	0	0	0	0	0	0

When reading this register,  
 0 = There's no posted interrupt for the corresponding hardware  
 1 = Posted interrupt for the corresponding hardware present  
 Writing a '0' to the bits will clear the posted interrupts for the corresponding hardware. Writing a '1' to the bits AND to the ENSWINT (Bit 7 of the INT\_MSK3 Register) will post the corresponding hardware interrupt

#### 17.4.2 Interrupt Mask Registers

The Interrupt Mask Registers (INT\_MSKx) are used to enable the individual interrupt sources' ability to create pending interrupts.

There are four Interrupt Mask Registers (INT\_MSK0, INT\_MSK1, INT\_MSK2, and INT\_MSK3) which may be referred to in general as INT\_MSKx. If cleared, each bit in an INT\_MSKx register prevents a posted interrupt from becoming a pending interrupt (input to the priority encoder). However, an interrupt can still post even if its mask bit is zero. All INT\_MSKx bits are independent of all other INT\_MSKx bits.

If an INT\_MSKx bit is set, the interrupt source associated with that mask bit may generate an interrupt that will become a pending interrupt.

The Enable Software Interrupt (ENSWINT) bit in INT\_MSK3[7] determines the way an individual bit value written to an INT\_CLRx register is interpreted. When is cleared, writing 1's to an INT\_CLRx register has no effect. However, writing 0's to an INT\_CLRx register, when ENSWINT is cleared, will cause the corresponding interrupt to clear. If the ENSWINT bit is set, any 0s written to the INT\_CLRx registers are ignored. However, 1s written to an INT\_CLRx register, while ENSWINT is set, will cause an interrupt to post for the corresponding interrupt.

Software interrupts can aid in debugging interrupt service routines by eliminating the need to create system level interactions that are sometimes necessary to create a hardware-only interrupt.

**Table 17-5. Interrupt Mask 3 (INT\_MSK3) [0xDE] [R/W]**

Bit #	7	6	5	4	3	2	1	0
Field	ENSWINT	Reserved						
Read/Write	R/W	–	–	–	–	–	–	–
Default	0	0	0	0	0	0	0	0

**Bit 7:** Enable Software Interrupt (ENSWINT)

0= Disable. Writing 0s to an INT\_CLRx register, when ENSWINT is cleared, will cause the corresponding interrupt to clear  
1= Enable. Writing 1s to an INT\_CLRx register, when ENSWINT is set, will cause the corresponding interrupt to post.

**Bit [6:0]:** Reserved

**Table 17-6. Interrupt Mask 2 (INT\_MSK2) [0xDF] [R/W]**

Bit #	7	6	5	4	3	2	1	0
Field	Reserved	GPIO Port 4 Int Enable	GPIO Port 3 Int Enable	GPIO Port 2 Int Enable	PS/2 Data Low Int Enable	INT2 Int Enable	16-bit Counter Wrap Int Enable	TCAP1 Int Enable
Read/Write	–	R/W	R/W	R/W	R/W	R/W	R/W	R/W
Default	0	0	0	0	0	0	0	0

**Bit 7:** Reserved

**Bit 6:** GPIO Port 4 Interrupt Enable

0 = Mask GPIO Port 4 interrupt

1 = Unmask GPIO Port 4 interrupt

**Bit 5:** GPIO Port 3 Interrupt Enable

0 = Mask GPIO Port 3 interrupt

1 = Unmask GPIO Port 3 interrupt

**Bit 4:** GPIO Port 2 Interrupt Enable

0 = Mask GPIO Port 2 interrupt

1 = Unmask GPIO Port 2 interrupt

**Bit 3:** PS/2 Data Low Interrupt Enable

0 = Mask PS/2 Data Low interrupt

1 = Unmask PS/2 Data Low interrupt

**Bit 2:** INT2 Interrupt Enable

0 = Mask INT2 interrupt

1 = Unmask INT2 interrupt

**Bit 1:** 16-bit Counter Wrap Interrupt Enable

0 = Mask 16-bit Counter Wrap interrupt

1 = Unmask 16-bit Counter Wrap interrupt

**Bit 0:** TCAP1 Interrupt Enable

0 = Mask TCAP1 interrupt

1 = Unmask TCAP1 interrupt

**Table 17-7. Interrupt Mask 1 (INT\_MSK1) [0xE1] [R/W]**

Bit #	7	6	5	4	3	2	1	0
Field	TCAP0 Int Enable	Prog Interval Timer Int Enable	1-ms Timer Int Enable	USB Active Int Enable	USB Reset Int Enable	USB EP2 Int Enable	USB EP1 Int Enable	USB EP0 Int Enable
Read/Write	R/W	R/W	R/W	R/W	R/W	R/W	R/W	R/W
Default	0	0	0	0	0	0	0	0

**Bit 7:** TCAP0 Interrupt Enable  
 0 = Mask TCAP0 interrupt  
 1 = Unmask TCAP0 interrupt  
**Bit 6:** Prog Interval Timer Interrupt Enable  
 0 = Mask Prog Interval Timer interrupt  
 1 = Unmask Prog Interval Timer interrupt  
**Bit 5:** 1-ms Timer Interrupt Enable  
 0 = Mask 1-ms interrupt  
 1 = Unmask 1-ms interrupt  
**Bit 4:** USB Active Interrupt Enable  
 0 = Mask USB Active interrupt  
 1 = Unmask USB Active interrupt  
**Bit 3:** USB Reset Interrupt Enable  
 0 = Mask USB Reset interrupt  
 1 = Unmask USB Reset interrupt  
**Bit 2:** USB EP2 Interrupt Enable  
 0 = Mask EP2 interrupt  
 1 = Unmask EP2 interrupt  
**Bit 1:** USB EP1 Interrupt Enable  
 0 = Mask EP1 interrupt  
 1 = Unmask EP1 interrupt  
**Bit 0:** USB EP0 Interrupt Enable  
 0 = Mask EP0 interrupt  
 1 = Unmask EP0 interrupt

**Table 17-8. Interrupt Mask 0 (INT\_MSK0) [0xE0] [R/W]**

Bit #	7	6	5	4	3	2	1	0
Field	GPIO Port 1 Int Enable	Sleep Timer Int Enable	INT1 Int Enable	GPIO Port 0 Int Enable	SPI Receive Int Enable	SPI Transmit Int Enable	INT0 Int Enable	POR/ LVD Int Enable
Read/Write	R/W	R/W	R/W	R/W	R/W	R/W	R/W	R/W
Default	0	0	0	0	0	0	0	0

**Bit 7:** GPIO Port 1 Interrupt Enable  
 0 = Mask GPIO Port 1 interrupt  
 1 = Unmask GPIO Port 1 interrupt  
**Bit 6:** Sleep Timer Interrupt Enable  
 0 = Mask Sleep Timer interrupt  
 1 = Unmask Sleep Timer interrupt  
**Bit 5:** INT1 Interrupt Enable  
 0 = Mask INT1 interrupt  
 1 = Unmask INT1 interrupt  
**Bit 4:** GPIO Port 0 Interrupt Enable  
 0 = Mask GPIO Port 0 interrupt  
 1 = Unmask GPIO Port 0 interrupt  
**Bit 3:** SPI Receive Interrupt Enable  
 0 = Mask SPI Receive interrupt  
 1 = Unmask SPI Receive interrupt  
**Bit 2:** SPI Transmit Interrupt Enable  
 0 = Mask SPI Transmit interrupt  
 1 = Unmask SPI Transmit interrupt  
**Bit 1:** INT0 Interrupt Enable  
 0 = Mask INT0 interrupt  
 1 = Unmask INT0 interrupt  
**Bit 0:** POR/LVD Interrupt Enable  
 0 = Mask POR/LVD interrupt  
 1 = Unmask POR/LVD interrupt

### 17.4.3 Interrupt Vector Clear Register

**Table 17-9. Interrupt Vector Clear Register (INT\_VC) [0xE2] [R/W]**

Bit #	7	6	5	4	3	2	1	0
Field	Pending Interrupt [7:0]							
Read/Write	R/W	R/W	R/W	R/W	R/W	R/W	R/W	R/W
Default	0	0	0	0	0	0	0	0

The Interrupt Vector Clear Register (INT\_VC) holds the interrupt vector for the highest priority pending interrupt when read, and when written will clear all pending interrupts

**Bit [7:0]:** Pending Interrupt [7:0]

8-bit data value holds the interrupt vector for the highest priority pending interrupt. Writing to this register will clear all pending interrupts.

## 18.0 USB/PS2 Transceiver

Although the USB transceiver has features to assist in interfacing to PS/2 these features are not controlled using these registers. These registers only control the USB interfacing features. PS/2 interfacing options are controlled by the D+/D- GPIO Configuration register (See Section *Table 14.2.15*).

### 18.1 USB Transceiver Configuration

**Table 18-1. USB Transceiver Configure Register (USBXCR) [0x74] [R/W]**

Bit #	7	6	5	4	3	2	1	0
Field	USB Pull-up Enable	Reserved						USB Force State
Read/Write	R/W	–	–	–	–	–	–	R/W
Default	0	0	0	0	0	0	0	0

**Bit 7:** USB Pull-up Enable

0 = Disable the pull-up resistor on D-

1 = Enable the pull-up resistor on D-. This pull-up is to  $V_{CC}$  IF VREG is not enabled or to the internally generated 3.3V when VREG is enabled

**Bit [6:1]:** Reserved

**Bit 0:** USB Force State

This bit allows the state of the USB I/O pins D- and D+ to be forced to a state while USB is enabled

0 = Disable USB Force State

1 = Enable USB Force State. Allows the D- and D+ pins to be controlled by P1.1 and P1.0 respectively when the USBIO is in USB mode. Refer to Section 14.2.15 for more information

## 19.0 USB Regulator Output

### 19.1 VREG Control

**Table 19-1. VREG Control Register (VREGCR) [0x73] [R/W]**

Bit #	7	6	5	4	3	2	1	0
Field	Reserved						Keep Alive	VREG Enable
Read/Write	–	–	–	–	–	–	R/W	R/W
Default	0	0	0	0	0	0	0	0

**Bit [7:2]:** Reserved

**Bit 1:** Keep Alive

Keep Alive when set allows the voltage regulator to source up to 20  $\mu$ A of current when voltage regulator is disabled, P12CR[0],P12CR[7] should be cleared.

0 = Disabled

1 = Enabled

**Bit 0:** VREG Enable

This bit turns on the 3.3V voltage regulator. The voltage regulator only functions within specifications when  $V_{CC}$  is above 4.35V. This block should not be enabled when  $V_{CC}$  is below 4.35V—although no damage or irregularities will occur if it is enabled below 4.35V

0 = Disable the 3.3V voltage regulator output on the VREG/P1.2 pin

1 = Enable the 3.3V voltage regulator output on the VREG/P1.2 pin. GPIO functionality of P1.2 is disabled

**Note:** Use of the alternate drive on pins P1.3–P1.6 requires that the VREG Enable bit be set to enable the regulator and provide the alternate voltage

## 20.0 USB Serial Interface Engine (SIE)

The SIE allows the microcontroller to communicate with the USB host at low-speed data rates (1.5 Mbps). The SIE simplifies the interface between the microcontroller and USB by incorporating hardware that handles the following USB bus activity independently of the microcontroller:

- Translate the encoded received data and format the data to be transmitted on the bus.
- CRC checking and generation. Flag the microcontroller if errors exist during transmission.
- Address checking. Ignore the transactions not addressed to the device.

- Send appropriate ACK/NAK/STALL handshakes.
- Token type identification (SETUP, IN, or OUT). Set the appropriate token bit once a valid token is received.
- Place valid received data in the appropriate endpoint FIFOs.
- Send and update the data toggle bit (Data1/0).
- Bit stuffing/unstuffing.

Firmware is required to handle the rest of the USB interface with the following tasks:

- Coordinate enumeration by decoding USB device requests.
- Fill and empty the FIFOs.
- Suspend/Resume coordination.
- Verify and select Data toggle values.

## 21.0 USB Device

### 21.1 USB Device Address

**Table 21-1. USB Device Address (USBCR) [0x40] [R/W]**

Bit #	7	6	5	4	3	2	1	0
Field	USB Enable	Device Address[6:0]						
Read/Write	R/W	R/W	R/W	R/W	R/W	R/W	R/W	R/W
Default	0	0	0	0	0	0	0	0

The content of this register is cleared when a USB Bus Reset condition occurs

**Bit 7: USB Enable**

This bit must be enabled by firmware before the serial interface engine (SIE) will respond to USB traffic at the address specified in Device Address [6:0]. When this bit is cleared, the USB transceiver enters power-down state. User's firmware should clear this bit prior to entering sleep mode to save power

0 = Disable USB device address and put the USB transceiver into power-down state

1 = Enable USB device address and put the USB transceiver into normal operating mode

**Bit [6:0]: Device Address [6:0]**

These bits must be set by firmware during the USB enumeration process (i.e., SetAddress) to the non-zero address assigned by the USB host

### 21.2 Endpoint 0, 1, and 2 Count

**Table 21-2. Endpoint 0, 1, and 2 Count (EPOCNT–EP2CNT) [0x41, 0x43, 0x45] [R/W]**

Bit #	7	6	5	4	3	2	1	0
Field	Data Toggle	Data Valid	Reserved		Byte Count[3:0]			
Read/Write	R/W	R/W	R/W	R/W	R/W	R/W	R/W	R/W
Default	0	0	0	0	0	0	0	0

**Bit 7: Data Toggle**

This bit selects the DATA packet's toggle state. For IN transactions, firmware must set this bit to the select the transmitted Data Toggle. For OUT or SETUP transactions, the hardware sets this bit to the state of the received Data Toggle bit.

0 = DATA0

1 = DATA1

**Bit 6: Data Valid**

This bit is used for OUT and SETUP tokens only. This bit is cleared to '0' if CRC, bitstuff, or PID errors have occurred. This bit does not update for some endpoint mode settings

0 = Data is invalid. If enabled, the endpoint interrupt will occur even if invalid data is received

1 = Data is valid

**Bit [5:4]: Reserved**

**Bit [3:0]: Byte Count Bit [3:0]**

Byte Count Bits indicate the number of data bytes in a transaction: For IN transactions, firmware loads the count with the number of bytes to be transmitted to the host from the endpoint FIFO. Valid values are 0 to 8 inclusive. For OUT or SETUP transactions, the count is updated by hardware to the number of data bytes received, plus 2 for the CRC bytes. Valid values are 2–10 inclusive.

For Endpoint 0 Count Register, whenever the count updates from a SETUP or OUT transaction, the count register locks and cannot be written by the CPU. Reading the register unlocks it. This prevents firmware from overwriting a status update on it.



### 21.3 Endpoint 0 Mode

Because both firmware and the SIE are allowed to write to the Endpoint 0 Mode and Count Registers the SIE provides an interlocking mechanism to prevent accidental overwriting of data.

When the SIE writes to these registers they are locked and the processor cannot write to them until after it has read them. Writing to this register clears the upper four bits regardless of the value written.

**Table 21-3. Endpoint 0 Mode (EP0MODE) [0x44] [R/W]**

Bit #	7	6	5	4	3	2	1	0
Field	Setup Received	IN Received	OUT Received	ACK'd Trans	Mode[3:0]			
Read/Write	R/C[4]	R/C[4]	R/C[4]	R/C[4]	R/W	R/W	R/W	R/W
Default	0	0	0	0	0	0	0	0

**Bit 7: SETUP Received**

This bit is set by hardware when a valid SETUP packet is received. It is forced HIGH from the start of the data packet phase of the SETUP transactions until the end of the data phase of a control write transfer and cannot be cleared during this interval. While this bit is set to '1', the CPU cannot write to the EP0 FIFO. This prevents firmware from overwriting an incoming SETUP transaction before firmware has a chance to read the SETUP data.

This bit is cleared by any non-locked writes to the register.

0 = No SETUP received  
 1 = SETUP received

**Bit 6: IN Received**

This bit when set indicates a valid IN packet has been received. This bit is updated to '1' after the host acknowledges an IN data packet. When clear, it indicates either no IN has been received or that the host didn't acknowledge the IN data by sending ACK handshake.

This bit is cleared by any non-locked writes to the register.

0 = No IN received  
 1 = IN received

**Bit 5: OUT Received**

This bit when set indicates a valid OUT packet has been received and ACKed. This bit is updated to '1' after the last received packet in an OUT transaction. When clear, it indicates no OUT received.

This bit is cleared by any non-locked writes to the register.

0 = No OUT received  
 1 = OUT received

**Bit 4: ACK'd Transaction**

The ACK'd transaction bit is set whenever the SIE engages in a transaction to the register's endpoint that completes with a ACK packet.

This bit is cleared by any non-locked writes to the register

1 = The transaction completes with an ACK  
 0 = The transaction does not complete with an ACK

**Bit [3:0]: Mode [3:0]**

The endpoint modes determine how the SIE responds to USB traffic that the host sends to the endpoint. The mode controls how the USB SIE responds to traffic and how the USB SIE will change the mode of that endpoint as a result of host packets to the endpoint.

## 21.4 Endpoint 1 and 2 Mode

**Table 21-4. Endpoint 1 and 2 Mode (EP1MODE – EP2MODE) [0x45, 0x46] [R/W]**

Bit #	7	6	5	4	3	2	1	0
Field	Stall	Reserved	NAK Int Enable	ACK'd Transaction	Mode[3:0]			
Read/Write	R/W	R/W	R/W	R/C (Note 4)	R/W	R/W	R/W	R/W
Default	0	0	0	0	0	0	0	0

### Bit 7: Stall

When this bit is set the SIE will stall an OUT packet if the Mode Bits are set to ACK-OUT, and the SIE will stall an IN packet if the mode bits are set to ACK-IN. This bit must be clear for all other modes

### Bit 6: Reserved

### Bit 5: NAK Int Enable

This bit when set causes an endpoint interrupt to be generated even when a transfer completes with a NAK. Unlike enCoRe, enCoRe II family members do not generate an endpoint interrupt under these conditions unless this bit is set

0 = Disable interrupt on NAK'd transactions

1 = Enable interrupt on NAK'd transaction

### Bit 4: ACK'd Transaction

The ACK'd transaction bit is set whenever the SIE engages in a transaction to the register's endpoint that completes with an ACK packet.

This bit is cleared by any writes to the register

0 = The transaction does not complete with an ACK

1 = The transaction completes with an ACK

### Bit [3:0]: Mode [3:0]

The endpoint modes determine how the SIE responds to USB traffic that the host sends to the endpoint. The mode controls how the USB SIE responds to traffic and how the USB SIE will change the mode of that endpoint as a result of host packets to the endpoint.

### 21.4.1 Endpoint 0, 1, and 2 Data Buffer

**Table 21-5. Endpoint 0 Data (EP0DATA) [0x50-0x57] [R/W]**

Bit #	7	6	5	4	3	2	1	0
Field	Endpoint 0 Data Buffer [7:0]							
Read/Write	R/W	R/W	R/W	R/W	R/W	R/W	R/W	R/W
Default	Unknown	Unknown	Unknown	Unknown	Unknown	Unknown	Unknown	Unknown

The Endpoint 0 buffer is comprised of 8 bytes located at address 0x50 to 0x57

**Table 21-6. Endpoint 1 Data (EP1DATA) [0x58-0x5F] [R/W]**

Bit #	7	6	5	4	3	2	1	0
Field	Endpoint 1 Data Buffer [7:0]							
Read/Write	R/W	R/W	R/W	R/W	R/W	R/W	R/W	R/W
Default	Unknown	Unknown	Unknown	Unknown	Unknown	Unknown	Unknown	Unknown

The Endpoint 1 buffer is comprised of 8 bytes located at address 0x58 to 0x5F

**Table 21-7. Endpoint 2 Data (EP2DATA) [0x60-0x67] [R/W]**

Bit #	7	6	5	4	3	2	1	0
Field	Endpoint 2 Data Buffer [7:0]							
Read/Write	R/W	R/W	R/W	R/W	R/W	R/W	R/W	R/W
Default	Unknown	Unknown	Unknown	Unknown	Unknown	Unknown	Unknown	Unknown

The Endpoint 2 buffer is comprised of 8 bytes located at address 0x60 to 0x67

The three data buffers used to hold data for both IN and OUT transactions. Each data buffer is 8 bytes long.

The reset values of the Endpoint Data Registers are unknown.

Unlike past enCoRe parts the USB data buffers are only accessible in the I/O space of the processor.

## 22.0 USB Mode Tables

Mode	Encoding	SETUP	IN	OUT	Comments
DISABLE	0000	Ignore	Ignore	Ignore	Ignore all USB traffic to this endpoint. Used by Data and Control endpoints
NAK IN/OUT	0001	Accept	NAK	NAK	NAK IN and OUT token. Control endpoint only
STATUS OUT ONLY	0010	Accept	STALL	Check	STALL IN and ACK zero byte OUT. Control endpoint only
STALL IN/OUT	0011	Accept	STALL	STALL	STALL IN and OUT token. Control endpoint only
STATUS IN ONLY	0110	Accept	TX0 byte	STALL	STALL OUT and send zero byte data for IN token. Control endpoint only
ACK OUT – STATUS IN	1011	Accept	TX0 byte	ACK	ACK the OUT token or send zero byte data for IN token. Control endpoint only
ACK IN – STATUS OUT	1111	Accept	TX Count	Check	Respond to IN data or Status OUT. Control endpoint only
NAK OUT	1000	Ignore	Ignore	NAK	Send NAK handshake to OUT token. Data endpoint only
ACK OUT (STALL = 0)	1001	Ignore	Ignore	ACK	This mode is changed by the SIE to mode 1000 on issuance of ACK handshake to an OUT. Data endpoint only
ACK OUT (STALL = 1)	1001	Ignore	Ignore	STALL	STALL the OUT transfer
NAK IN	1100	Ignore	NAK	Ignore	Send NAK handshake for IN token. Data endpoint only
ACK IN (STALL = 0)	1101	Ignore	TX Count	Ignore	This mode is changed by the SIE to mode 1100 after receiving ACK handshake to an IN data. Data endpoint only
ACK IN (STALL = 1)	1101	Ignore	STALL	Ignore	STALL the IN transfer. Data endpoint only
Reserved	0101	Ignore	Ignore	Ignore	These modes are not supported by SIE. Firmware should not use this mode in Control and Data endpoints
Reserved	0111	Ignore	Ignore	Ignore	
Reserved	1010	Ignore	Ignore	Ignore	
Reserved	0100	Ignore	Ignore	Ignore	
Reserved	1110	Ignore	Ignore	Ignore	

### Mode Column

The 'Mode' column contains the mnemonic names given to the modes of the endpoint. The mode of the endpoint is determined by the four-bit binaries in the 'Encoding' column as discussed below. The Status IN and Status OUT represent the status IN or OUT stage of the control transfer.

### Encoding Column

The contents of the 'Encoding' column represent the Mode Bits [3:0] of the Endpoint Mode Registers (*Table 21-3* and *Table 21-4*). The endpoint modes determine how the SIE responds to different tokens that the host sends to the endpoints. For example, if the Mode Bits [3:0] of the Endpoint 0 Mode Register are set to '0001', which is NAK IN/OUT mode, the SIE will send an ACK handshake in response to SETUP tokens and NAK any IN or OUT tokens.

### SETUP, IN, and OUT Columns

Depending on the mode specified in the 'Encoding' column, the 'SETUP', 'IN', and 'OUT' columns contain the SIE's responses when the endpoint receives SETUP, IN, and OUT tokens, respectively.

A 'Check' in the Out column means that upon receiving an OUT token the SIE checks to see whether the OUT is of zero length and has a Data Toggle (Data1/0) of 1. If these conditions are true, the SIE responds with an ACK. If any of the above conditions is not met, the SIE will respond with either a STALL or Ignore.

A 'TX Count' entry in the IN column means that the SIE will transmit the number of bytes specified in the Byte Count Bit [3:0] of the Endpoint Count Register (*Table 21-2*) in response to any IN token.

### 23.0 Details of Mode for Differing Traffic Conditions

Control Endpoint																
SIE		Bus Event				SIE	EP0 Mode Register				EP0 Count Register			EP0	Interrupt	Comments
Mode	Token	Count	Dval	D0/1	Response	S	I	O	A	MODE	DTOG	DVAL	COUNT	FIFO		
<b>DISABLED</b>																
0000	x	x	x	x												Ignore All
<b>STALL_IN_OUT</b>																
0011	SETUP	>10	x	x										junk		Ignore
0011	SETUP	<=10	invalid	x										junk		Ignore
0011	SETUP	<=10	valid	x	ACK	1			1	0001	update	1	update	data	Yes	ACK SETUP
0011	IN	x	x	x	STALL											Stall IN
0011	OUT	>10	x	x												Ignore
0011	OUT	<=10	invalid	x												Ignore
0011	OUT	<=10	valid	x	STALL											Stall OUT
<b>NAK_IN_OUT</b>																
0001	SETUP	>10	x	x										junk		Ignore
0001	SETUP	<=10	invalid	x										junk		Ignore
0001	SETUP	<=10	valid	x	ACK	1			1	0001	update	1	update	data	Yes	ACK SETUP
0001	IN	x	x	x	NAK											NAK IN
0001	OUT	>10	x	x												Ignore
0001	OUT	<=10	invalid	x												Ignore
0001	OUT	<=10	valid	x	NAK											NAK OUT
<b>ACK_IN_STATUS_OUT</b>																
1111	SETUP	>10	x	x										junk		Ignore
1111	SETUP	<=10	invalid	x										junk		Ignore
1111	SETUP	<=10	valid	x	ACK	1			1	0001	update	1	update	data	Yes	ACK SETUP
1111	IN	x	x	x	TX											Host Not ACK'd
1111	IN	x	x	x	TX		1		1	0001					Yes	Host ACK'd
1111	OUT	>10	x	x												Ignore
1111	OUT	<=10	invalid	x												Ignore
1111	OUT	<=10, <>2	valid	x	STALL					0011					Yes	Bad Status
1111	OUT	2	valid	0	STALL					0011					Yes	Bad Status
1111	OUT	2	valid	1	ACK			1	1	0010	1	1	2		Yes	Good Status
<b>STATUS_OUT</b>																
0010	SETUP	>10	x	x										junk		Ignore
0010	SETUP	<=10	invalid	x										junk		Ignore
0010	SETUP	<=10	valid	x	ACK	1			1	0001	update	1	update	data	Yes	ACK SETUP
0010	IN	x	x	x	STALL					0011					Yes	Stall IN
0010	OUT	>10	x	x												Ignore
0010	OUT	<=10	invalid	x												Ignore
0010	OUT	<=10, <>2	valid	x	STALL					0011					Yes	Bad Status
0010	OUT	2	valid	0	STALL					0011					Yes	Bad Status
0010	OUT	2	valid	1	ACK			1	1		1	1	2		Yes	Good Status
<b>ACK_OUT_STATUS_IN</b>																
1011	SETUP	>10	x	x										junk		Ignore
1011	SETUP	<=10	invalid	x										junk		Ignore
1011	SETUP	<=10	valid	x	ACK	1			1	0001	update	1	update	data	Yes	ACK SETUP
1011	IN	x	x	x	TX 0											Host Not ACK'd
1011	IN	x	x	x	TX 0		1		1	0011					Yes	Host ACK'd

23.0 Details of Mode for Differing Traffic Conditions (continued)

1011	OUT	>10	x	x										junk		Ignore
1011	OUT	<=10	invalid	x										junk		Ignore
1011	OUT	<=10	valid	x	ACK		1	1	0001	update	1	update	data	Yes	Good OUT	
<b>STATUS_IN</b>																
0110	SETUP	>10	x	x										junk		Ignore
0110	SETUP	<=10	invalid	x										junk		Ignore
0110	SETUP	<=10	valid	x	ACK	1		1	0001	update	1	update	data	Yes	ACK SETUP	
0110	IN	x	x	x	TX 0											Host Not ACK'd
0110	IN	x	x	x	TX 0		1	1	0011						Yes	Host ACK'd
0110	OUT	>10	x	x												Ignore
0110	OUT	<=10	invalid	x												Ignore
0110	OUT	<=10	valid	x	STALL				0011						Yes	Stall OUT
<b>Data Out Endpoints</b>																
<b>SIE</b>	<b>Bus Event</b>				<b>SIE</b>	<b>EP0 Mode Register</b>				<b>EP0 Count Register</b>			<b>EP0</b>	<b>Interrupt</b>	<b>Comments</b>	
<b>Mode</b>	<b>Token</b>	<b>Count</b>	<b>Dval</b>	<b>D0/1</b>	<b>Response</b>	<b>S</b>	<b>I</b>	<b>O</b>	<b>A</b>	<b>MODE</b>	<b>DTOG</b>	<b>DVAL</b>	<b>COUNT</b>	<b>FIFO</b>		
<b>ACK OUT (STALL Bit = 0)</b>																
1001	IN	x	x	x												Ignore
1001	OUT	>MAX	x	x										junk		Ignore
1001	OUT	<=MAX	invalid	invalid										junk		Ignore
1001	OUT	<=MAX	valid	valid	ACK				1	1000	update	1	update	data	Yes	ACK OUT
<b>ACK OUT (STALL Bit = 1)</b>																
1001	IN	x	x	x												Ignore
1001	OUT	>MAX	x	x												Ignore
1001	OUT	<=MAX	invalid	invalid												Ignore
1001	OUT	<=MAX	valid	valid	STALL											Stall OUT
<b>NAK OUT</b>																
1000	IN	x	x	x												Ignore
1000	OUT	>MAX	x	x												Ignore
1000	OUT	<=MAX	invalid	invalid												Ignore
1000	OUT	<=MAX	valid	valid	NAK										If Enabled	NAK OUT
<b>Data In Endpoints</b>																
<b>SIE</b>	<b>Bus Event</b>				<b>SIE</b>	<b>EP0 Mode Register</b>				<b>EP0 Count Register</b>			<b>EP0</b>	<b>Interrupt</b>	<b>Comments</b>	
<b>Mode</b>	<b>Token</b>	<b>Count</b>	<b>Dval</b>	<b>D0/1</b>	<b>Response</b>	<b>S</b>	<b>I</b>	<b>O</b>	<b>A</b>	<b>MODE</b>	<b>DTOG</b>	<b>DVAL</b>	<b>COUNT</b>	<b>FIFO</b>		
<b>ACK IN (STALL Bit = 0)</b>																
1101	OUT	x	x	x												Ignore
1101	IN	x	x	x												Host Not ACK'd
1101	IN	x	x	x	TX				1	1100					Yes	Host ACK'd
<b>ACK IN (STALL Bit = 1)</b>																
1101	OUT	x	x	x												Ignore
1101	IN	x	x	x	STALL											Stall IN
<b>NAK IN</b>																
1100	OUT	x	x	x												Ignore
1100	IN	x	x	x	NAK										If Enabled	NAK IN



## 24.0 Register Summary

Addr	Name	7	6	5	4	3	2	1	0	R/W	Default		
00	P0DATA	P0.7	P0.6/TIO1	P0.5/TIO0	P0.4/INT2	P0.3/INT1	P0.2/INT0	P0.1/CLK-OUT	P0.0/CLKIN	bbbbbbb	0000000		
01	P1DATA	P1.7	P1.6/SMISO	P1.5/SMOSI	P1.4/SCLK	P1.3/SSEL	P1.2/VREG	P1.1/D-	P1.0/D+	bbbbbbb	0000000		
02	P2DATA	P2.7–P2.2						P2.1–P2.0			bbbbbbb	0000000	
03	P3DATA	P3.7–P3.2						P3.1–P3.0			bbbbbbb	0000000	
04	P4DATA	Res				P4.3–P4.0				----bbbb	0000000		
05	P00CR	Reserved	Int Enable	Int Act Low	TTL Thresh	High Sink	Open Drain	Pull-up Enable	Output Enable	-bbbbbb	0000000		
06	P01CR	CLK Output	Int Enable	Int Act Low	TTL Thresh	High Sink	Open Drain	Pull-up Enable	Output Enable	bbbbbbb	0000000		
07–09	P02CR–P04CR	Reserved	Reserved	Int Act Low	TTL Thresh	Reserved	Open Drain	Pull-up Enable	Output Enable	--bbbbbb	0000000		
0A–0B	P05CR–P06CR	TIO Output	Int Enable	Int Act Low	TTL Thresh	Reserved	Open Drain	Pull-up Enable	Output Enable	bbbbbbb	0000000		
0C	P07CR	Reserved	Int Enable	Int Act Low	TTL Thresh	Reserved	Open Drain	Pull-up Enable	Output Enable	-bbbbbb	0000000		
0D	P10CR	Reserved	Int Enable	Int Act Low	Reserved			PS/2 Pull-up Enable	Output Enable	-bb---bb	0000000		
0E	P11CR	Reserved	Int Enable	Int Act Low	Reserved		Open Drain	Reserved	Output Enable	-bb--b-b	0000000		
0F	P12CR	CLK Output	Int Enable	Int Act Low	TTL Thresh	Reserved	Open Drain	Pull-up Enable	Output Enable	bbbbbbb	0000000		
10	P13CR	Reserved	Int Enable	Int Act Low	3.3V Drive	High Sink	Open Drain	Pull-up Enable	Output Enable	-bbbbbb	0000000		
11–13	P14CR–P16CR	SPI Use	Int Enable	Int Act Low	3.3V Drive	High Sink	Open Drain	Pull-up Enable	Output Enable	bbbbbbb	0000000		
14	P17CR	Reserved	Int Enable	Int Act Low	TTL Thresh	High Sink	Open Drain	Pull-up Enable	Output Enable	-bbbbbb	0000000		
15	P2CR	Reserved	Int Enable	Int Act Low	TTL Thresh	High Sink	Open Drain	Pull-up Enable	Output Enable	-bbbbbb	0000000		
16	P3CR	Reserved	Int Enable	Int Act Low	TTL Thresh	High Sink	Open Drain	Pull-up Enable	Output Enable	-bbbbbb	0000000		
17	P4CR	Reserved	Int Enable	Int Act Low	TTL Thresh	Reserved	Open Drain	Pull-up Enable	Output Enable	-bbb-bbb	0000000		
20	FRTMRL	Free Running Timer [7:0]									bbbbbbb	0000000	
21	FRTMRH	Free Running Timer [15:8]									bbbbbbb	0000000	
22	TCAP0R	Capture 0 Rising [7:0]									bbbbbbb	0000000	
23	TCAP1R	Capture 1 Rising [7:0]									bbbbbbb	0000000	
24	TCAP0F	Capture 0 Falling [7:0]									bbbbbbb	0000000	
25	TCAP1F	Capture 1 Falling [7:0]									bbbbbbb	0000000	
26	PITMRL	Prog Interval Timer [7:0]									bbbbbbb	0000000	
27	PITMRH	Reserved				Prog Interval Timer [11:8]					----bbbb	0000000	
28	PIRL	Prog Interval [7:0]									bbbbbbb	0000000	
29	PIRH	Reserved				Prog Interval [11:8]					----bbbb	0000000	
2A	TMRCR	First Edge Hold	8-bit capture Prescale			Cap0 16bit Enable	Reserved				bbbb---	0000000	
2B	TCAPINTE	Reserved				Cap1 Fall Active	Cap1 Rise Active	Cap0 Fall Active	Cap0 Rise Active	----bbbb	0000000		
2C	TCAPINTS	Reserved				Cap1 Fall Active	Cap1 Rise Active	Cap0 Fall Active	Cap0 Rise Active	----bbbb	0000000		
30	CPUCLKCR	Reserved	USB CLK /2 Disable	USB CLK Select	Reserved				CPU CLK Select	-b-----b	0001000		
31	ITMRCLKCR	TCAPCLK Divider			TCAPCLK Select		ITMRCLK Divider		ITMRCLK Select			bbbbbbb	1001111
32	CLKIOCR	Reserved				XOSC Select	XOSC Enable	EFTB Disable	CLKOUT Select			---bbbb	0000000
34	IOSCTR	offset[2:0]				Gain[4:0]						bbbbbbb	000dddd
35	XOSCTR	Reserved				XOSC XGM [2:0]			Reserved	Mode	---bbb-b	000ddd0d	
36	LPOSCTR	32-KHz Low Power	Reserved	32-KHz Bias Trim [1:0]		32-KHz Freq Trim [3:0]				b-bbbbbb	ddddddd		

## 24.0 Register Summary (continued)

Addr	Name	7	6	5	4	3	2	1	0	R/W	Default		
39	OSCLKCR	Reserved							Fine Tune Only	USB Osclock Disable	-----bb	00000000	
3C	SPIDATA	SPIData[7:0]									bbbbbbbb	00000000	
3D	SPICR	Swap	LSB First	Comm Mode		CPOL	CPHA	SCLK Select			bbbbbbbb	00000000	
40	USBCR	USB Enable	Device Address[6:0]								bbbbbbbb	00000000	
41	EP0CNT	Data Toggle	Data Valid	Reserved			Byte Count[3:0]			bbbbbbbb	00000000		
42	EP1CNT	Data Toggle	Data Valid	Reserved			Byte Count[3:0]			bbbbbbbb	00000000		
43	EP2CNT	Data Toggle	Data Valid	Reserved			Byte Count[3:0]			bbbbbbbb	00000000		
44	EP0MODE	Setup rcv'd	IN rcv'd	OUT rcv'd	ACK'd trans		Mode[3:0]			ccccbbbb	00000000		
45	EP1MODE	Stall	Reserved	NAK Int Enable	Ack'd trans		Mode[3:0]			b-bcbbbb	00000000		
46	EP2MODE	Stall	Reserved	NAK Int Enable	Ack'd trans		Mode[3:0]			b-bcbbbb	00000000		
50-57	EP0DATA	Endpoint 0 Data Buffer [7:0]									bbbbbbbb	????????	
58-5F	EP1DATA	Endpoint 1 Data Buffer [7:0]									bbbbbbbb	????????	
60-67	EP2DATA	Endpoint 2 Data Buffer [7:0]									bbbbbbbb	????????	
73	VREGCR	Reserved							Keep Alive	VREG Enable	-----bb	00000000	
74	USBXCR	USB Pull-up Enable	Reserved							USB Force State	b-----b	00000000	
DA	INT_CLR0	GPIO Port 1	Sleep Timer	INT1	GPIO Port 0	SPI Receive	SPI Transmit	INT0	POR/LVD	bbbbbbbb	00000000		
DB	INT_CLR1	TCAP0	Prog Interval Timer	1-ms Timer	USB Active	USB Reset	USB EP2	USB EP1	USB EP0	bbbbbbbb	00000000		
DC	INT_CLR2	Reserved	GPIO Port 4	GPIO Port 3	GPIO Port 2	PS/2 Data Low	INT2	16-bit Counter Wrap	TCAP1	-bbbbbbb	00000000		
DE	INT_MSK3	ENSWINT	Reserved									b-----	00000000
DF	INT_MSK2	Reserved	GPIO Port 4 Int Enable	GPIO Port 3 Int Enable	GPIO Port 2 Int Enable	PS/2 Data Low Int Enable	INT2 Int Enable	16-bit Counter Wrap Int Enable	TCAP1 Int Enable	-bbbbbbb	00000000		
E1	INT_MSK1	TCAP0 Int Enable	Prog Interval Timer Int Enable	1-ms Timer Int Enable	USB Active Int Enable	USB Reset Int Enable	USB EP2 Int Enable	USB EP1 Int Enable	USB EP0 Int Enable	bbbbbbbb	00000000		
E0	INT_MSK0	GPIO Port 1 Int Enable	Sleep Timer Int Enable	INT1 Int Enable	GPIO Port 0 Int Enable	SPI Receive Int Enable	SPI Transmit Int Enable	INT0 Int Enable	POR/ LVD Int Enable	bbbbbbbb	00000000		
E2	INT_VC	Pending Interrupt [7:0]									bbbbbbbb	00000000	
E3	RESWDT	Reset Watchdog Timer [7:0]									wwwwwww	00000000	
--	CPU_A	Temporary Register T1 [7:0]									-----	00000000	
--	CPU_X	X[7:0]									-----	00000000	
--	CPU_PCL	Program Counter [7:0]									-----	00000000	
--	CPU_PCH	Program Counter [15:8]									-----	00000000	
--	CPU_SP	Stack Pointer [7:0]									-----	00000000	
-	CPU_F	Reserved			XOI	Super	Carry	Zero	Global IE	---brwww	00000010		
FF	CPU_SCR	GIES	Reserved	WDRS	PORS	Sleep	Reserved	Reserved	Stop	r-ccb--b	00010000		
1E0	OSC_CR0	Reserved		No Buzz	Sleep Timer [1:0]		CPU Speed [2:0]			--bbbbbb	00000000		
1E3	LVDCR	Reserved		PORLEV[1:0]		Reserved	VM[2:0]			--bb-bbbb	00000000		
1EB	ECO_TR	Sleep Duty Cycle [1:0]			Reserved						bb-----	00000000	
1E4	VLTCMP	Reserved							LVD	PPOR	-----rr	00000000	

**Note:** In the R/W column,  
b = Both Read and Write  
r = Read Only  
w = Write Only  
c = Read/Clear  
? = Unknown  
d = calibration value. Should not change during normal use

## 25.0 Absolute Maximum Ratings

Storage Temperature .....	-65°C to +150°C
Ambient Temperature with Power Applied .....	-0°C to +70°C
Supply Voltage on V <sub>CC</sub> Relative to V <sub>SS</sub> .....	-0.5V to +7.0V
DC Input Voltage .....	-0.5V to + V <sub>CC</sub> + 0.5V
DC Voltage Applied to Outputs in High-Z State .....	-0.5V to + V <sub>CC</sub> + 0.5V

Maximum Total Sink Output Current into Port 0 and 1 and Pins.....	70 mA
Maximum Total Source Output Current into GPIO Pins.....	30 mA
Maximum On-chip Power Dissipation on any GPIO Pin.....	50 mW
Power Dissipation .....	300 mW
Static Discharge Voltage .....	2200V
Latch-up Current .....	200 mA

## 26.0 DC Characteristics

Parameter	Description		Min.	Typical	Max.	Unit
	General	Conditions				
V <sub>CC1</sub>	Operating Voltage	No USB activity, CPU speed ≤ 12 MHz	4.0		5.25	V
V <sub>CC2</sub>	Operating Voltage	USB activity, CPU speed ≤ 12 MHz. Flash programming	4.35		5.25	V
V <sub>CC3</sub>	Operating Voltage	USB activity, CPU speed ≤ 24 MHz	4.75		5.25	V
T <sub>FP</sub>	Operating Temp	Flash Programming	0		70	°C
I <sub>CC1</sub>	V <sub>CC</sub> Operating Supply Current	V <sub>CC</sub> = 5.25V, no GPIO loading, 24 MHz			40	mA
I <sub>CC2</sub>	V <sub>CC</sub> Operating Supply Current	V <sub>CC</sub> = 5.0V, no GPIO loading, 6 MHz		10		mA
I <sub>SB1</sub>	Standby Current	Internal and External Oscillators, Bandgap, Flash, CPU Clock, Timer Clock, USB Clock all disabled			10	μA
<b>Low-voltage Detect</b>						
V <sub>LVD</sub>	Low-voltage detect Trip Voltage (8 programmable trip points)		2.681		4.872	V
<b>3.3V Regulator</b>						
I <sub>VREG</sub>	Max Regulator Output Current	V <sub>CC</sub> ≥ 4.35V			125	mA
I <sub>FA</sub>	Keep Alive Current <sup>[5]</sup>	When regulator is disabled with "keep alive" enable			20	μA
V <sub>REG1</sub>	V <sub>REG</sub> Output Voltage	V <sub>CC</sub> ≥ 4.35V, 0 < temp < 40°C, I <sub>VREG</sub> ≤ 125 mA (3.3V ± 8%)	3.0		3.6	V
V <sub>REG2</sub>	V <sub>REG</sub> Output Voltage	V <sub>CC</sub> ≥ 4.35V, 0 < temp < 40°C, I <sub>VREG</sub> ≤ 25 mA (3.3V ± 4%)	3.15		3.45	V
<b>USB Interface</b>						
V <sub>ON</sub>	Static Output High	15K ± 5% Ohm to V <sub>SS</sub>	2.8		3.6	V
V <sub>OFF</sub>	Static Output Low	R <sub>UP</sub> is enabled			0.3	V
V <sub>DI</sub>	Differential Input Sensitivity		0.2			V
V <sub>CM</sub>	Differential Input Common Mode Range		0.8		2.5	V
V <sub>SE</sub>	Single Ended Receiver Threshold		0.8		2	V
C <sub>IN</sub>	Transceiver Capacitance				20	pF
I <sub>IO</sub>	Hi-Z State Data Line Leakage	0V < V <sub>IN</sub> < 3.3V	-10		10	μA
<b>PS/2 Interface</b>						
V <sub>OLP</sub>	Static Output Low	SDATA or SCLK pins			0.4	V
R <sub>PS2</sub>	Internal PS/2 Pull-up Resistance	SDATA, SCLK pins, PS/2 Enabled	3		7	KΩ

**Notes:**

5. Keep-alive mode regulator output voltage min. 2.35V, max 3.80V



## 26.0 DC Characteristics (continued)

Parameter	Description		Conditions	Min.	Typical	Max.	Unit
	General						
<b>General Purpose I/O Interface</b>							
R <sub>UP</sub>	Pull-up Resistance			4		12	KΩ
V <sub>ICR</sub>	Input Threshold Voltage Low, CMOS mode		Low to High edge	40%		65%	V <sub>CC</sub>
V <sub>ICF</sub>	Input Threshold Voltage Low, CMOS mode		High to Low edge	30%		55%	V <sub>CC</sub>
V <sub>HC</sub>	Input Hysteresis Voltage, CMOS Mode		High to low edge	3%		10%	V <sub>CC</sub>
V <sub>ILTTL</sub>	Input Low Voltage, TTL Mode		I/O-pin Supply = 2.9–3.6V			0.8	V
V <sub>IHTTL</sub>	Input High Voltage, TTL Mode		I/O-pin Supply = 4.0–5.5V	2.0			V
V <sub>OL1</sub>	Output Low Voltage, High Drive <sup>[6]</sup>		I <sub>OL1</sub> = 50 mA			0.8	V
V <sub>OL2</sub>	Output Low Voltage, High Drive <sup>[6]</sup>		I <sub>OL1</sub> = 25 mA			0.4	V
V <sub>OL3</sub>	Output Low Voltage, Low Drive <sup>[7]</sup>		I <sub>OL2</sub> = 8 mA			0.4	V
V <sub>OH</sub>	Output High Voltage <sup>[7]</sup>		I <sub>OH</sub> = 2 mA	V <sub>CC</sub> – 0.5			V

## 27.0 AC Characteristics

Parameter	Description	Conditions	Min.	Typical	Max.	Unit
<b>Clock</b>						
T <sub>ECLKDC</sub>	External Clock Duty Cycle		45		55	%
T <sub>ECLK1</sub> T <sub>ECLK2</sub>	External Clock Frequency External Clock Frequency	External clock is the source of the CPUCLK External clock is not the source of the CPUCLK	0.187 0		24 24	MHz MHz
<b>USB Driver</b>						
T <sub>R1</sub>	Transition Rise Time	C <sub>LOAD</sub> = 200 pF	75			ns
T <sub>R2</sub>	Transition Rise Time	C <sub>LOAD</sub> = 600 pF			300	ns
T <sub>F1</sub>	Transition Fall Time	C <sub>LOAD</sub> = 200 pF	75			ns
T <sub>F2</sub>	Transition Fall Time	C <sub>LOAD</sub> = 600 pF			300	ns
T <sub>R</sub>	Rise/Fall Time Matching		80		125	%
V <sub>CRS</sub>	Output Signal Crossover Voltage		1.3		2.0	V
<b>USB Data Timing</b>						
T <sub>DRATE</sub>	Low-speed Data Rate	Ave. Bit Rate (1.5 Mbps ± 1.5%)	1.4775		1.5225	Mbps
T <sub>DJR1</sub>	Receiver Data Jitter Tolerance	To next transition	–75		75	ns
T <sub>DJR2</sub>	Receiver Data Jitter Tolerance	To pair transition	–45		45	ns
T <sub>DEOP</sub>	Differential to EOP Transition Skew		–40		100	ns
T <sub>EOPR1</sub>	EOP Width at Receiver	Rejects as EOP			330	ns
T <sub>EOPR2</sub>	EOP Width at Receiver	Accept as EOP	675			ns
T <sub>EOPT</sub>	Source EOP Width		1.25		1.5	us
T <sub>UDJ1</sub>	Differential Driver Jitter	To next transition	–95		95	ns
T <sub>UDJ2</sub>	Differential Driver Jitter	To pair transition	–95		95	ns
T <sub>LST</sub>	Width of SE0 during Diff. Transition				210	ns

**Notes:**

6. Available only on CY7C639XX P2.7, P3.7, P0.0, P0.1; CY7C638XX P1.3, P1.4, P1.5, P1.6, P1.7.
7. Except for pins P1.0, P1.1 in GPIO mode.

## 27.0 AC Characteristics (continued)

Parameter	Description	Conditions	Min.	Typical	Max.	Unit
<b>Non-USB Mode Driver Characteristics</b>						
$T_{FPS2}$	SDATA/SCK Transition Fall Time		50		300	ns
<b>SPI Timing</b>						
$T_{SMCK}$	SPI Master Clock Rate	$F_{CPUCLK}/6$			2	MHz
$T_{SSCK}$	SPI Slave Clock Rate				2.2	MHz
$T_{SCKH}$	SPI Clock High Time	High for CPOL = 0, Low for CPOL = 1	125			ns
$T_{SCKL}$	SPI Clock Low Time	Low for CPOL = 0, High for CPOL = 1	125			ns
$T_{MDO}$	Master Data Output Time <sup>[8]</sup>	SCK to data valid	-25		50	ns
$T_{MDO1}$	Master Data Output Time, First bit with CPHA = 0	Time before leading SCK edge	100			ns
$T_{MSU}$	Master Input Data Set-up time		50			ns
$T_{MHD}$	Master Input Data Hold time		50			ns
$T_{SSU}$	Slave Input Data Set-up Time		50			ns
$T_{SHD}$	Slave Input Data Hold Time		50			ns
$T_{SDO}$	Slave Data Output Time	SCK to data valid			100	ns
$T_{SDO1}$	Slave Data Output Time, First bit with CPHA = 0	Time after $\overline{SS}$ LOW to data valid			100	ns
$T_{SSS}$	Slave Select Set-up Time	Before first SCK edge	150			ns
$T_{SSH}$	Slave Select Hold Time	After last SCK edge	150			ns

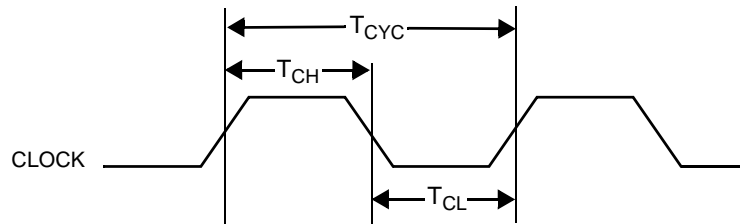


Figure 27-1. Clock Timing

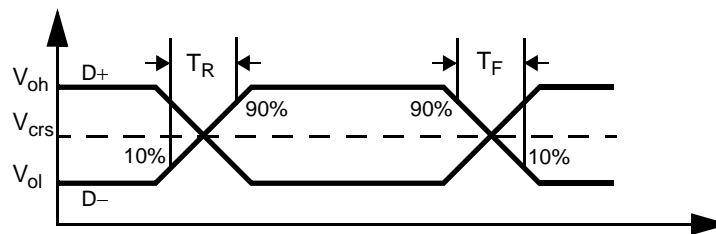


Figure 27-2. USB Data Signal Timing

**Note:**

- In Master mode first bit is available 0.5 SPICLK cycle before Master clock edge available on the SCLK pin.

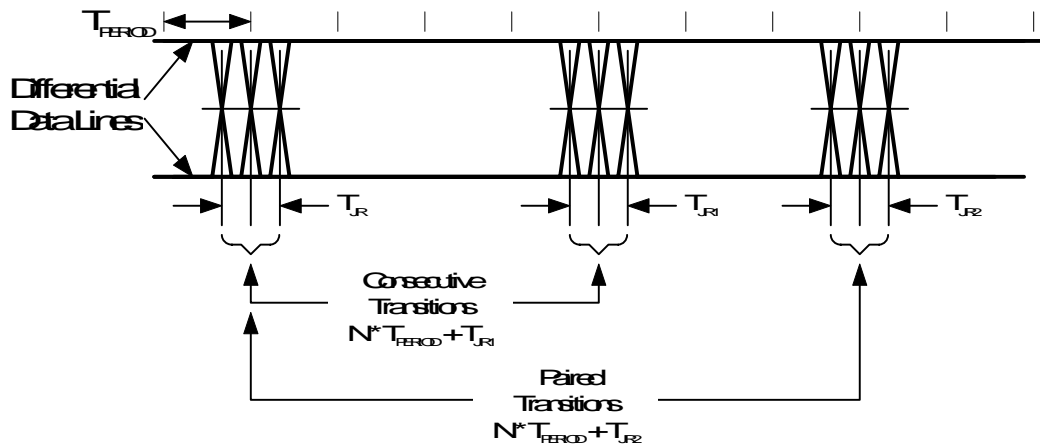


Figure 27-3. Receiver Jitter Tolerance

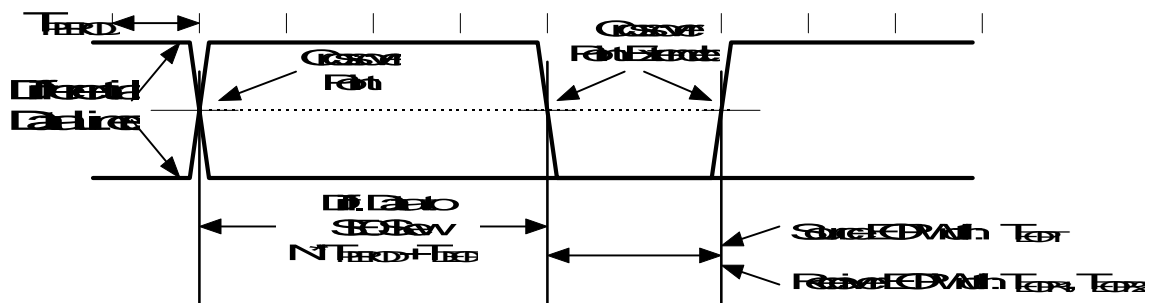


Figure 27-4. Differential to EOP Transition Skew and EOP Width

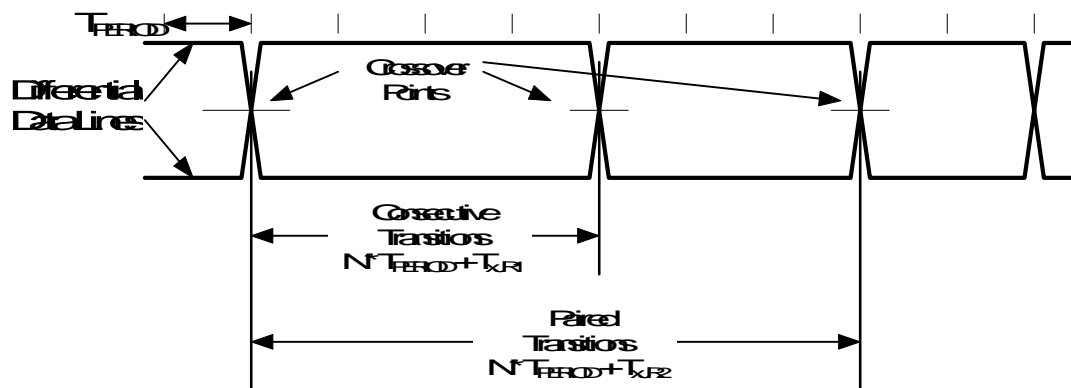


Figure 27-5. Differential Data Jitter

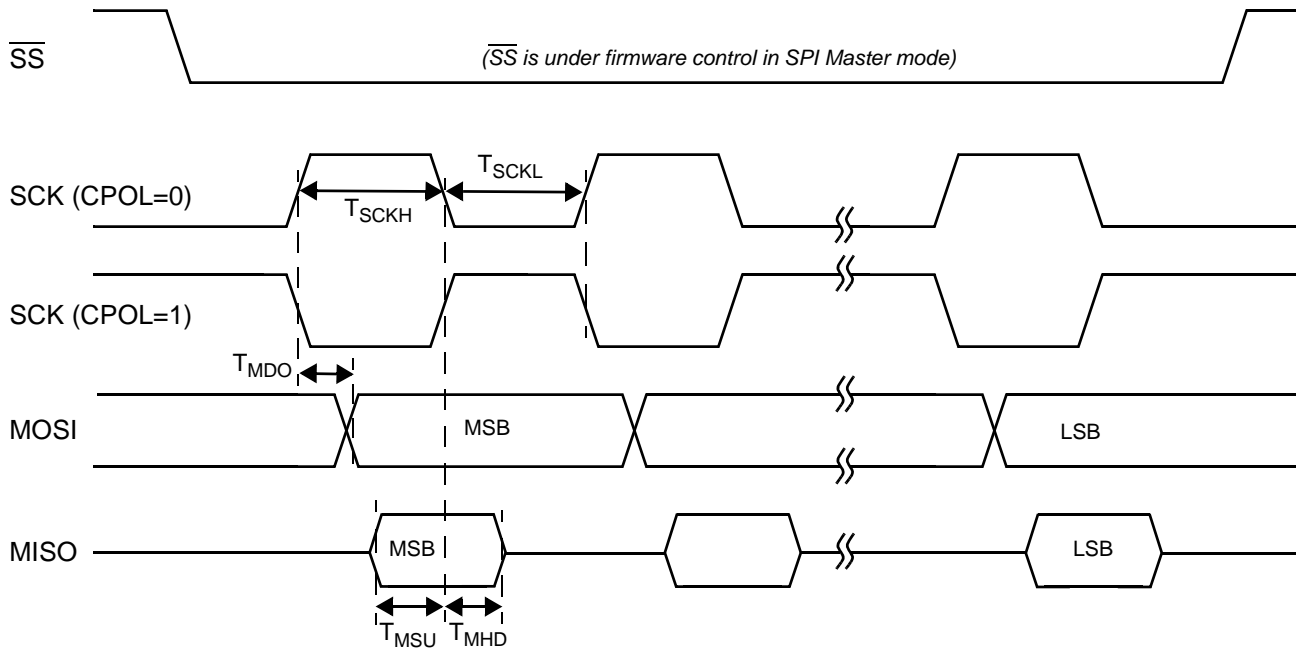


Figure 27-6. SPI Master Timing, CPHA = 1

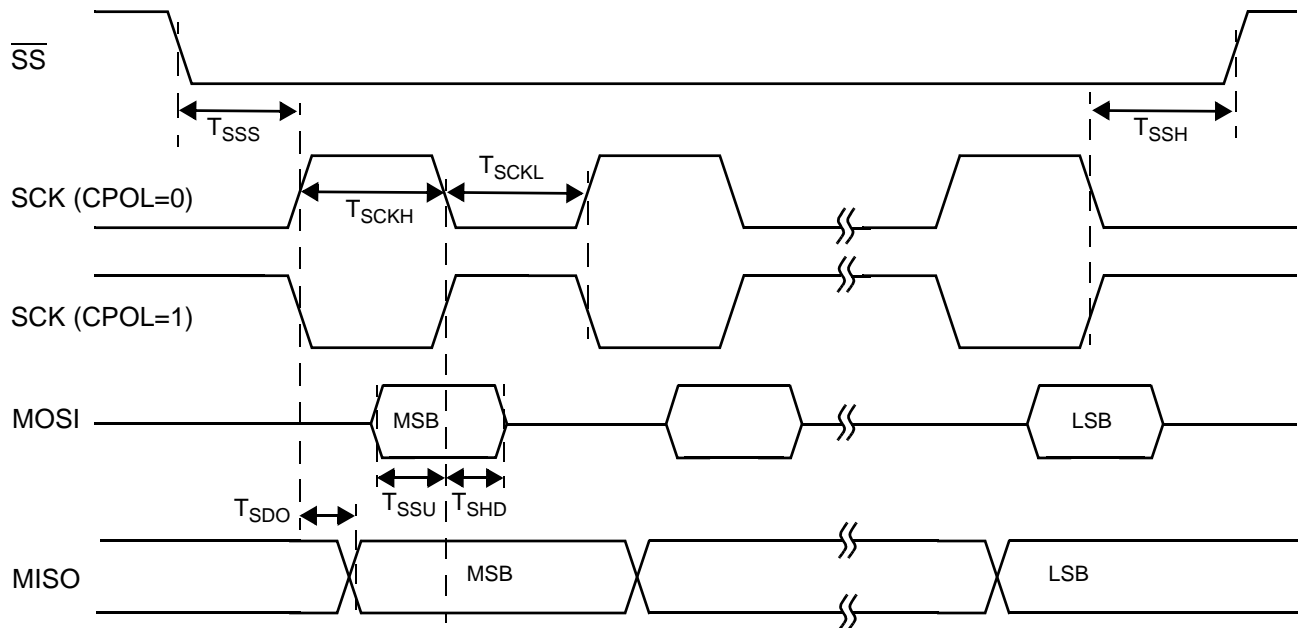


Figure 27-7. SPI Slave Timing, CPHA = 1

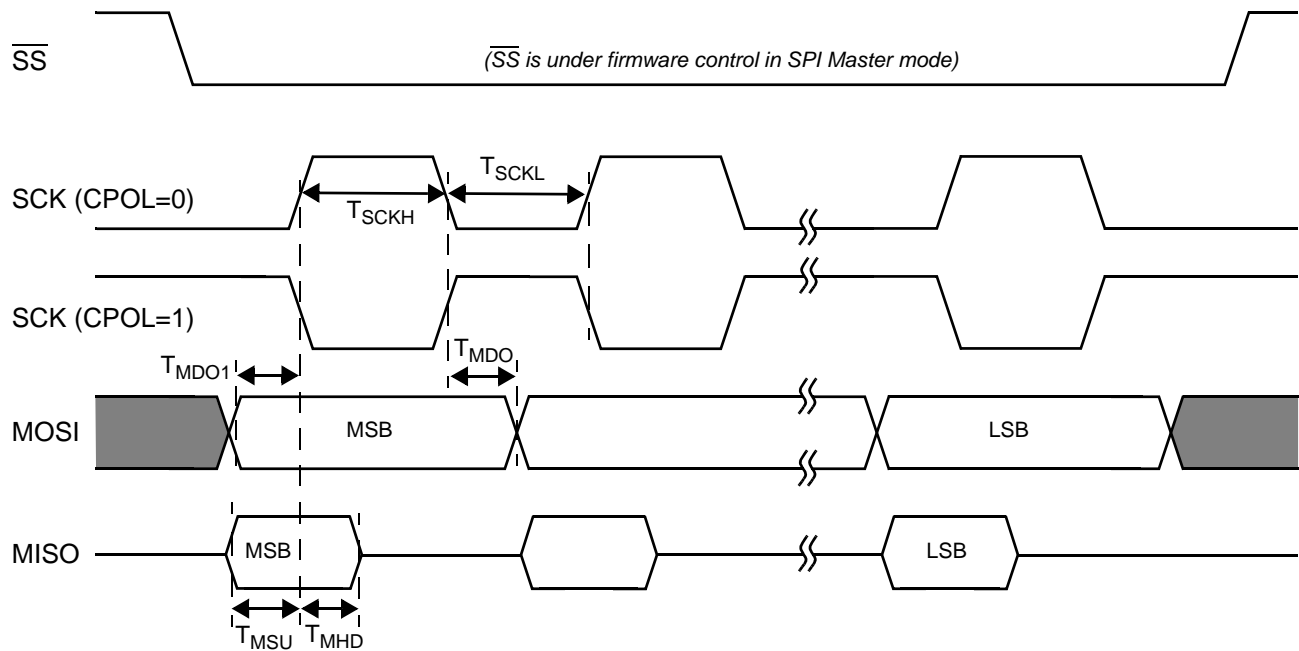


Figure 27-8. SPI Master Timing, CPHA = 0

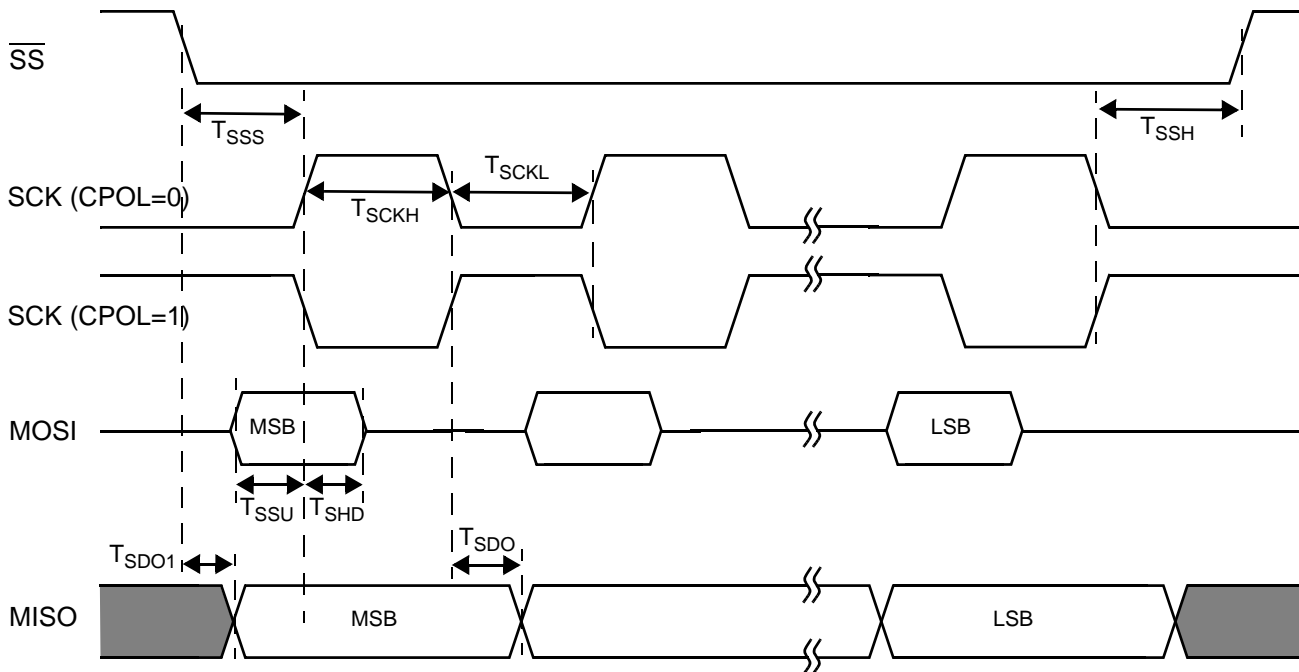


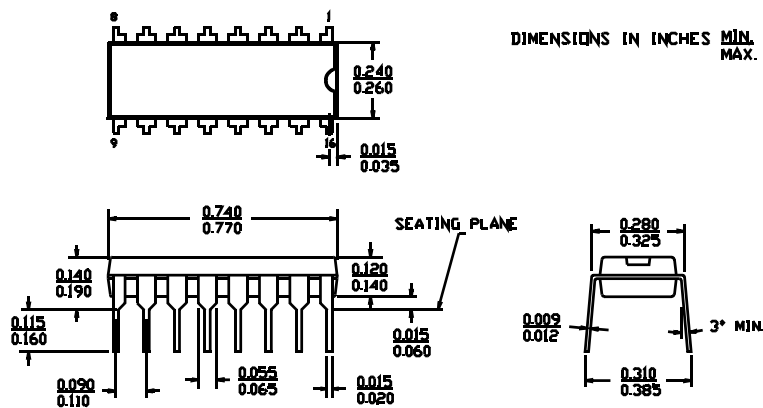
Figure 27-9. SPI Slave Timing, CPHA = 0

## 28.0 Ordering Information

Ordering Code	FLASH Size	RAM Size	Package Type
CY7C63923-PVXC	8K	256	48-SSOP
CY7C63913-PXC	8K	256	40-PDIP
CY7C63903-PVXC	8K	256	28-SSOP
CY7C63923-XWC	8K	256	Die
CY7C63823-PXC	8K	256	24-PDIP
CY7C63823-SXC	8K	256	24-SOIC
CY7C63823-QXC	8K	256	24-QSOP
CY7C63813-PXC	8K	256	18-PDIP
CY7C63813-SXC	8K	256	18-SOIC
CY7C63803-SXC	8K	256	16-SOIC
CY7C63801-PXC	4K	256	16-PDIP
CY7C63801-SXC	4K	256	16-SOIC
CY7C63310-PXC	3K	128	16-PDIP
CY7C63310-SXC	3K	128	16-SOIC

## 29.0 Package Diagrams

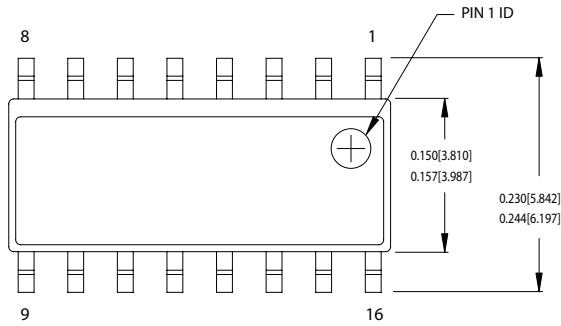
16-Lead (300-Mil) Molded DIP P1



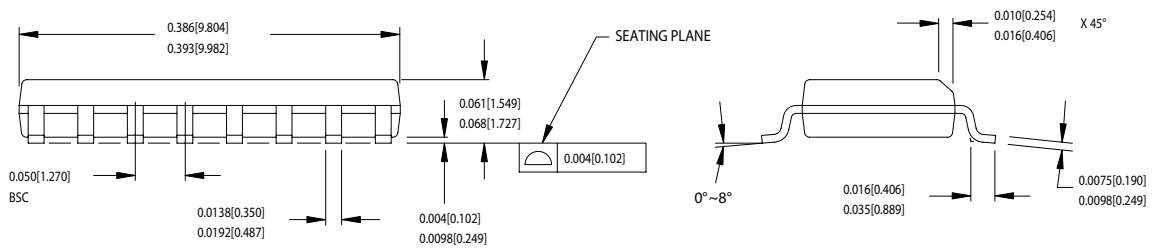
51-85009-A

**29.0 Package Diagrams (continued)**

**16-Lead (150-Mil) SOIC S16.15**

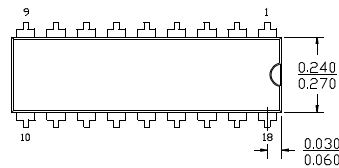


DIMENSIONS IN INCHES[MM] MIN. MAX.  
 REFERENCE JEDEC MS-012  
 PACKAGE WEIGHT 0.15gms

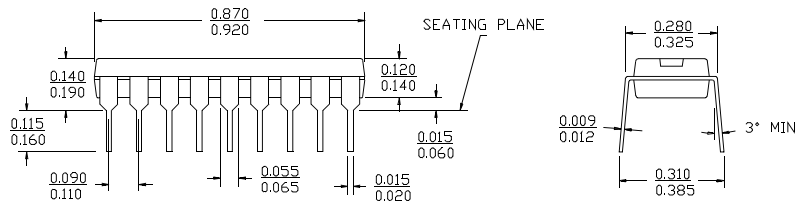


51-85068-\*B

**18-Lead (300-Mil) Molded DIP P3**



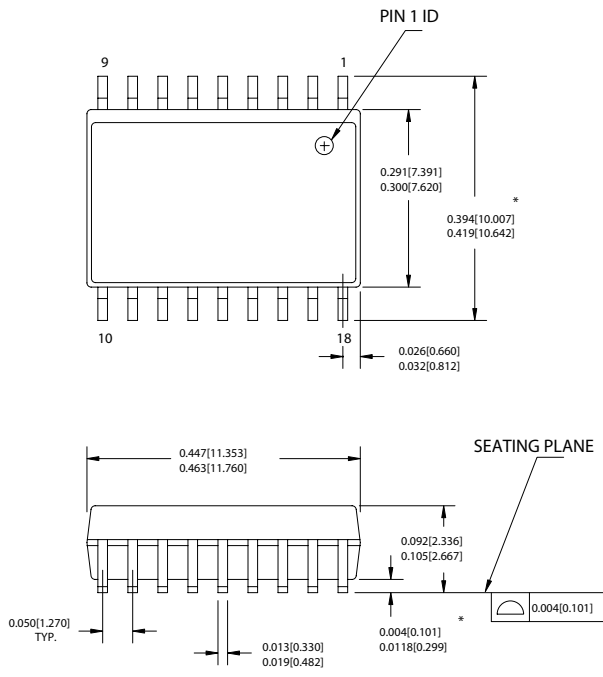
DIMENSIONS IN INCHES MIN. MAX.



51-85010-\*A

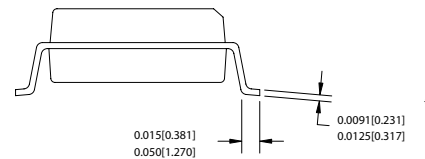
**29.0 Package Diagrams (continued)**

**18-Lead (300-Mil) Molded SOIC S3**



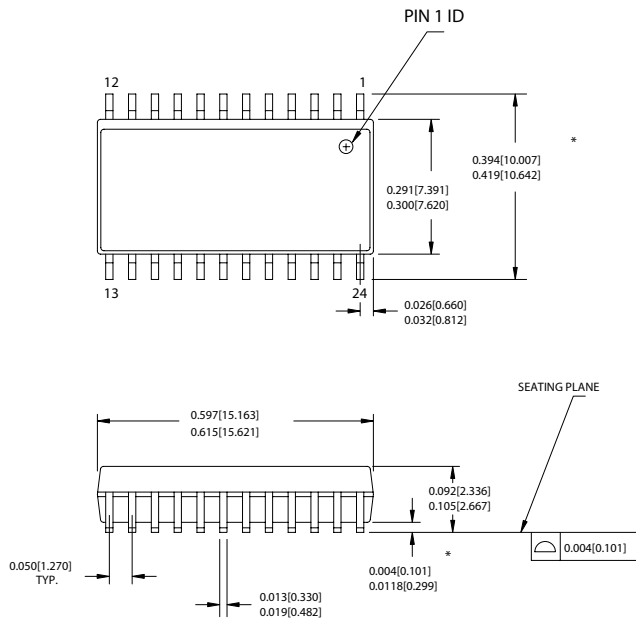
DIMENSIONS IN INCHES[MM]  
 REFERENCE JEDEC MO-119

MIN.  
 MAX.



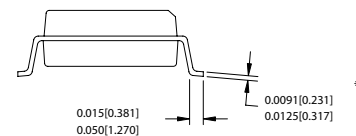
51-85023-B

**24-Lead (300-Mil) SOIC S13**



DIMENSIONS IN INCHES[MM]  
 REFERENCE JEDEC MO-119  
 PACKAGE WEIGHT 0.65gms

MIN.  
 MAX.

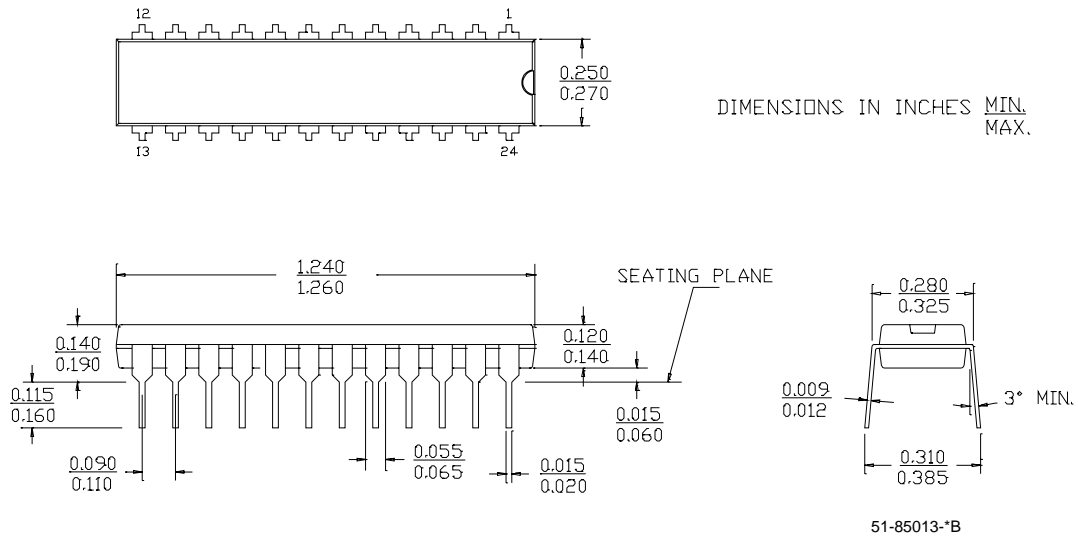


51-85025-B

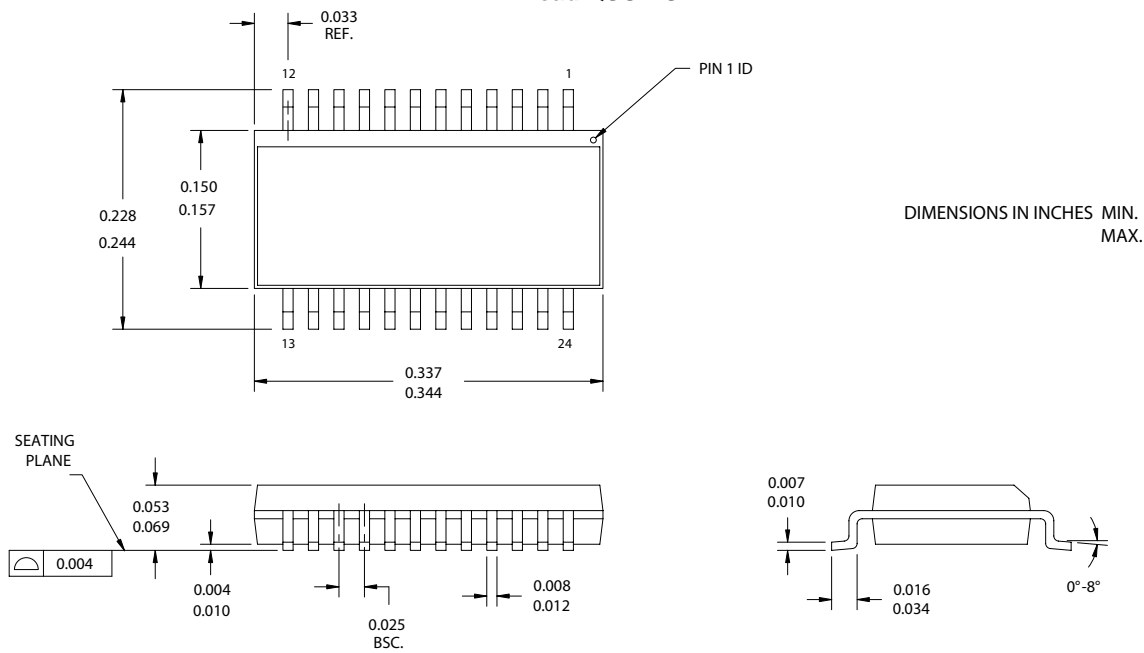


**29.0 Package Diagrams (continued)**

**24-Lead (300-Mil) PDIP P13**

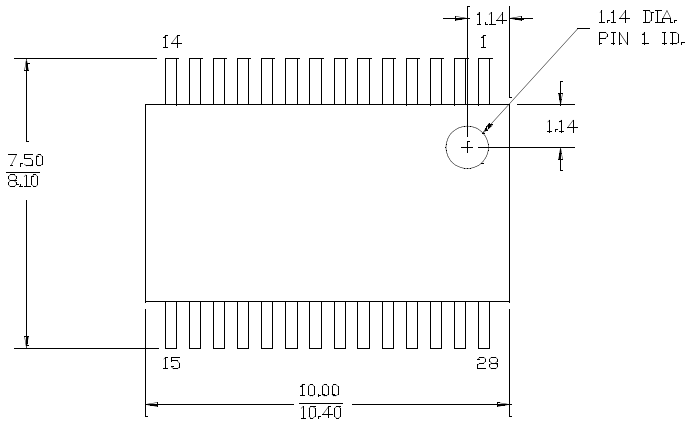


**24-lead QSOP O241**

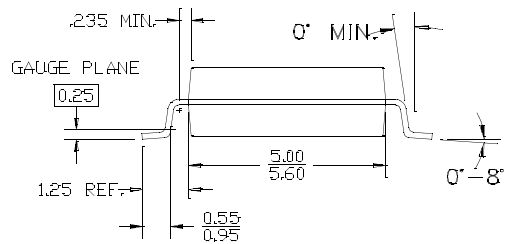
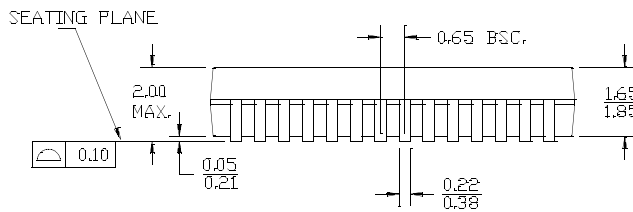


**29.0 Package Diagrams (continued)**

**28-Lead (5.3 mm) Shrunken Small Outline Package O28**

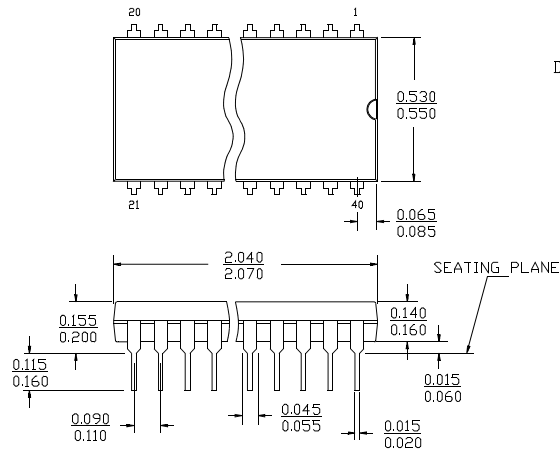


DIMENSIONS IN MILLIMETERS MIN. MAX.

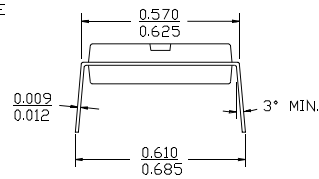


51-85079-C

**40-Lead (600-Mil) Molded DIP P17**



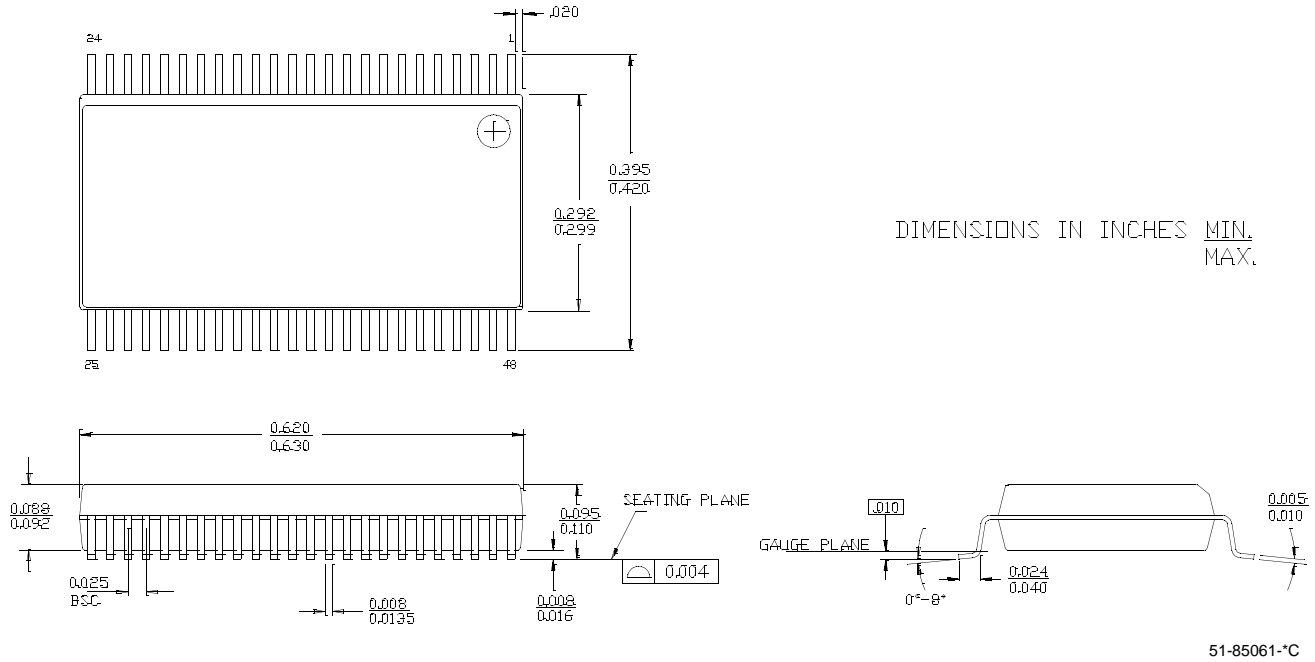
DIMENSIONS IN INCHES MIN. MAX.



51-85019-A

**29.0 Package Diagrams (continued)**

**48-Lead Shrunk Small Outline Package O48**



PSoC is a trademark of Cypress MicroSystems. enCoRe is a trademark of Cypress Semiconductor Corporation. All product and company names mentioned in this document are the trademarks of their respective holders.

**Document History Page**

Document Title: CY7C63310/CY7C638xx/CY7C639xx enCoRe™ II Low-Speed USB Peripheral Controller				
Document Number: 38-08035				
Rev.	ECN No.	Issue Date	Orig. of Change	Description of Change
**	131323	12/11/03	XGR	New data sheet
*A	221881	See ECN	KKU	Added Register descriptions and package information, changed from advance information to preliminary
*B	271232	See ECN	BON	Reformatted Updated with the latest information
*C	299179	See ECN	BON	Corrected 24-PDIP pinout typo in <i>Table 5.1</i> Added <i>Table 10-1</i> . Updated <i>Table 9-5</i> , <i>Table 10-4</i> , <i>Table 13-1</i> , <i>Table 17-2</i> , <i>Table 17-4</i> , <i>Table 17-6</i> . and <i>Table 15-2</i> . Added various updates to the GPIO Section (Section 14.0). Corrected <i>Table 15-3</i> . Corrected <i>Figure 27-6</i> and <i>Figure 27-7</i> . Added the 16-pin PDIP package diagram (Section 29.0).
*D	322053	See ECN	TVR  BON	Introduction section: Last para removed Low-voltage reset. There is no LVR there is only LVD (Low voltage detect). explained more about LVD and POR. Changed capture pins from P0.0,P0.1 to P0.5,P0.6. Table 6-1: Changed table heading (Removed Mnemonics and made as Register names). Table 9-5: Included #of rows for different flash sizes Section10-1: Changed CPUCLK selectable options from n=0-5,7,8 to n=0-5,7. Clocks section: Changed ITMRCLK division to 1,2,3,4. updated the sources to ITMRCLK, TCAPCLKs. Mentioned P17 is TTL enabled permanently. Corrected FRT, PIT data write order. Updated INTCLR,INTMSK registers. in the register table also. DC spec sheet: changed LVR to LVD included max min program- mable trip points based on char data. Updated the 50ma sink pins on 638xx, 639xx. Keep-alive voltage mentioned corresponding to Keep-alive current of 20uA. Included Notes regarding VOL,VOH on P1.0,P1.1 and TMDO spec. AC Specs: T <sub>MDO1</sub> , T <sub>SDO1</sub> In description column changed Phase to 0.  Section 5: Removed the VREG from the CY7C63310 and CY7C63801. Removed SCLK and SDATA. Created a separate pinout diagram for the CY7C63813. Added the GPIO Block Diagram (Figure 14-1.) Table 10-5: Changed the Sleep Timer Clock unit from 32 KHz count to Hz Table 21-1: Added more descriptions to the register
*E	341277	See ECN	BHA	Corrected V <sub>IH</sub> TTL value in DC Characteristics table Updated V <sub>IL</sub> TTL value. Added footnote to pin description table for D+/D- pins. Added Typical Values to Low Voltage Detect table. Corrected Pin label on 16-pin PDIP package. Corrected minor typos
*F	408017	See ECN	TYJ	Corrected pin assignment for the 24-pin QSOP package - GPIO port 3 in Table 5-1: Pin Assignment New Assignments: Pin 19 assigned to P3.0 and pin 20 to P3.1 Table 17.7 INT_MSKE1 changed to 0xE1 Table 17.8 INT_MSK0 changed to 0xE0 Table 24.0-Register Summary, address E0 assigned to INT_MSK0 and address E1 assigned to INT_MSKE1