

DUAL ROW SMT PIN HEADER



0835 SERIES. 0.80 x 1.20 mm.(0.032 x 0.047") Pitch.

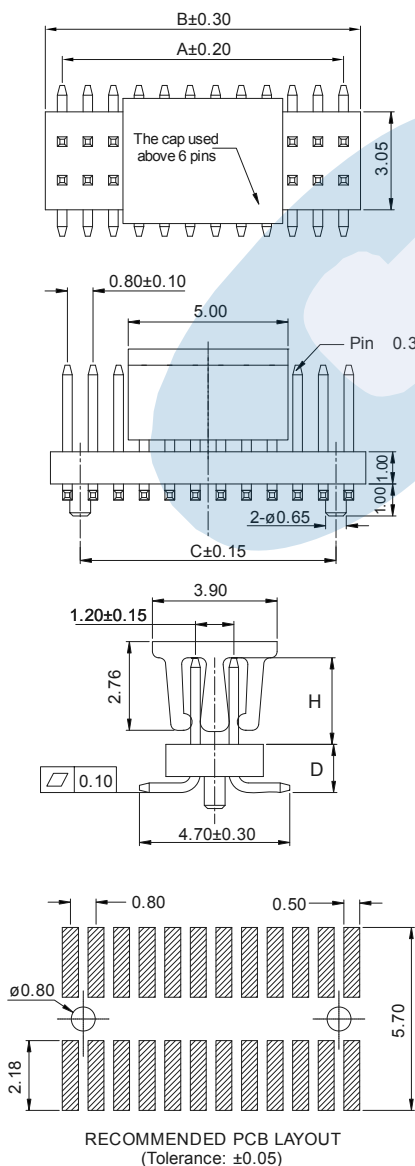
General Features

- Available in 6 through 100 circuits
- Mates with 0.80 x 1.20 mm pitch female connectors 0834 series
- 0.30 square pin with different plating
- Available in different pin length
- Available with or without fixing post

Materials

- Insulator: Polyester nylon 9T UL 94 V-0
- Contact: Phosphor bronze
- Operating temperature. -40°C to +105°C
- RoHS compliant

Dimensional Information



Electrical Features

- Voltage rating: < 50 V
- Current rating: < 0,5 A
- Contact resistance: < 20 mΩ
- Dielectric withstanding voltage: 200 V AC/minute
- Insulation Resistance: >100 MΩ
- Capacitance: < 2pF at 1KHz

Mechanical Features

- Pin retention force to insulator: > 0.15 Kg f
- Durability: 50 cycles



Ordering Information:

0835 - T- XX- P- C- E
 1 2 4 5 6

1. Connector Series

2. (T) Contact Plating

- T = 2. Tin plated
Recommended Finish

3. (XX) Number of circuits

- Available in 4 through 80 circuits

4. (P) Fixing Post

- P = 1. Without fixing post
- P = 2. With fixing post

5. (C) Pin Dimensions

- C = 1. D = 1.80 mm. ; H = 4.40 mm.
- C = 2. D = 1.50 mm. ; H = 2.70 mm.

6. (E) Packing Options

- E = 1. Tube + Pad
- E = 2. Reel + Pad

DIMENSIONS

$$A = 0.8 \left(\frac{XX}{2} - 1 \right) \quad B = 0.8 \left(\frac{XX}{2} \right) + 0.26 \quad C = 0.8 \left(\frac{XX}{2} - 2 \right)$$

(XX) = Number of circuits