

D/ ROW TOP ENTRY ELEVATED BOX HEADER



5543 SERIES. 2.54 x 2.54 mm. (0.100 x 0.100") pitch.

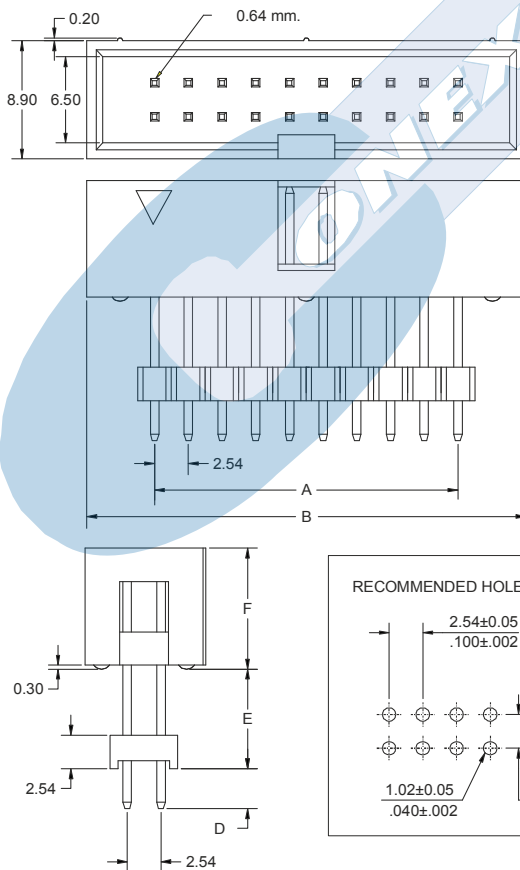
General Features

- Available in 6, 8, 10, 12, 14, 16, 20, 24, 26, 30, 34, 40, 44, 50, 60 and 64 circuits
- Mates with 2.54 mm crimp housing 2646 series, IDC connectors 5435 and PCB 5458 and 5459 series
- Gold plated 0.64 mm. square pin
- Fully shrouded with polarized slot.
- Different pin dimension optional

Materials

- Insulator: PBT glass reinforced UL 94 V-0
- Terminal: gold plated brass
- Operating temperature. -25°C to +85°C
- RoHS compliant

Dimension Information



Dimensions: (In mm.)

$$A = 2.54 \left(\frac{XX}{2} - 1 \right) \quad B = 2.54 \left(\frac{XX}{2} \right) + 7.62$$

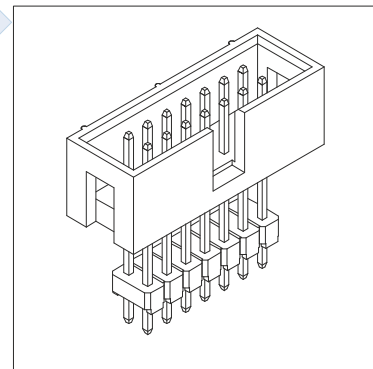
(XX) = Number of circuits

Electrical Features

- Voltage rating: < 250V
- Current rating: < 2 A
- Contact resistance: < 20 mΩ
- Dielectric withstanding Voltage: 800 V AC/minute
- Insulation resistance: >1000 MΩ

Mechanical Features

- Pin retention force to insulator: > 1.00 Kgf
- Durability: 50 Cycles



Ordering Information:

5543 - T- XX- C
1 2 3 4

1. Connector Series

2. (T) Contact Plating

- T = 2. Tin plated
- T = 3. Gold flash over nickel
Recommended Finish
- T = 5. 15μ" gold over nickel
- T = 6. 30μ" gold over nickel

3. (XX) Number of circuits

- Available in 6 through 64 circuits

3. (C) Pin dimensions (mm.)

- C = 1. F = 9.10; E = 7.50; D = 3.00 mm.
- C = 2. F = 9.10; E = 5.00; D = 3.00 mm.
- C = 3. F = 9.10; E = 4.00; D = 3.00 mm.
- C = 4. F = 9.10; E = 15.20; D = 3.00 mm.