

Product Change Notice (PCN)

Date: **11/4/2022**

PCN Number: **PCN-0450981R-01**

To Our Customers:

We appreciate your use of our products. Our commitment in maintaining and improving processes is demonstrated by plans to enhance our product quality, reliability, and manufacturability. The purpose of this notice is to inform you of a product change.

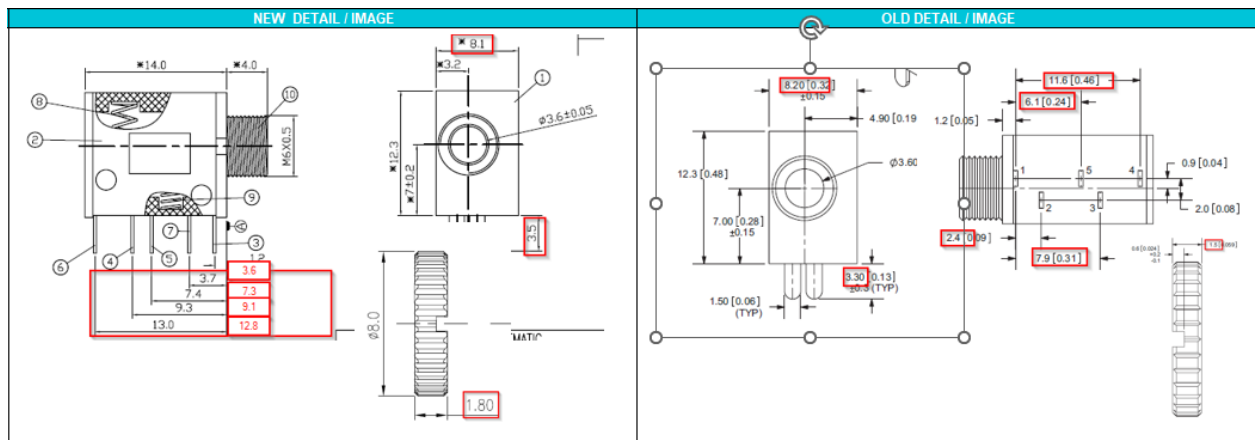
Product(s) Affected:

SJ1-3533, SJ1-3534, SJ1-3535

Reason(s) for Change: *Manufacturing process improvements*

Description of Change:

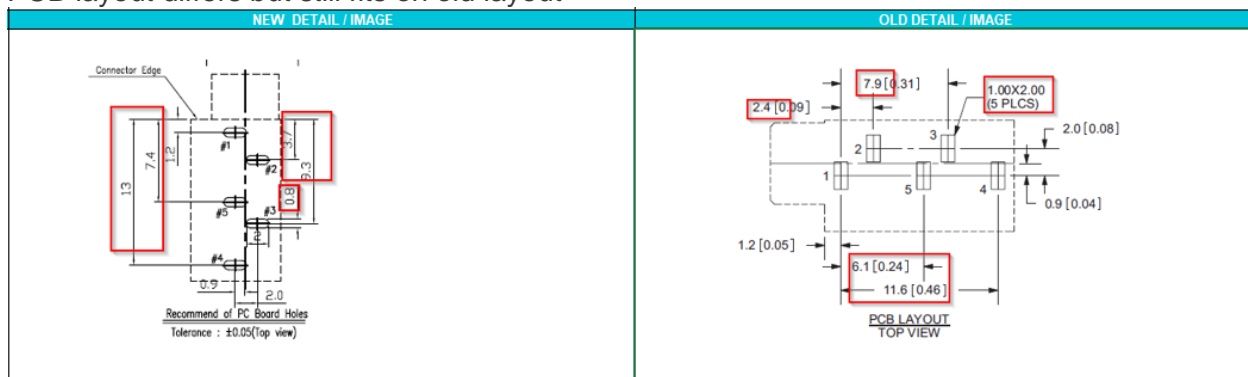
1. Width difference, Terminal length and spacing differs, and the nut is higher on new part



F-723-001

Revision: A

2. PCB layout differs but still fits on old layout



3. Material Change

OLD DETAIL / IMAGE			NEW CUDEVICES DETAIL / IMAGE		
	MATERIAL	PLATING	DESCRIPTION	MATERIAL	PLATING/COLOR
terminal 1	brass	tin	terminal 1	brass t=0.25	tin over nickel
terminal 2	brass	tin	terminal 2	phosphor bronze t=0.25	silver over nickel
terminal 3	brass	tin	terminal 3	phosphor bronze t=0.25	silver over nickel
terminal 4	brass	tin	terminal 4	brass t=0.30	tin over nickel
terminal 5	brass	tin	terminal 5	brass t=0.30	tin over nickel
bushing	brass	nickel	bushing	copper alloy	nickel
spring	stainless steel		spring	stainless steel	nickel
plastic	PBT		housing	PBT (UL94V-0)	black
			cover	PBT (UL94V-0)	black

Affected Date Code: 11/15/2022

Product Availability: Channel availability mid Q4

Additional Information:

PCN Approval:

F-723-001

Revision: A



Operations/Quality

Rae Adams

Product Management

Nick Wolfe

Nick Wolfe

10/24/2022
