

## Product Change Notice (PCN)

**Date:** 02/25/2022

**PCN Number:** PCN-0450360R-01

To Our Customers:

We appreciate your use of our products. Our commitment in maintaining and improving processes is demonstrated by plans to enhance our product quality, reliability, and manufacturability. The purpose of this notice is to inform you of a product change.

Product(s) Affected:

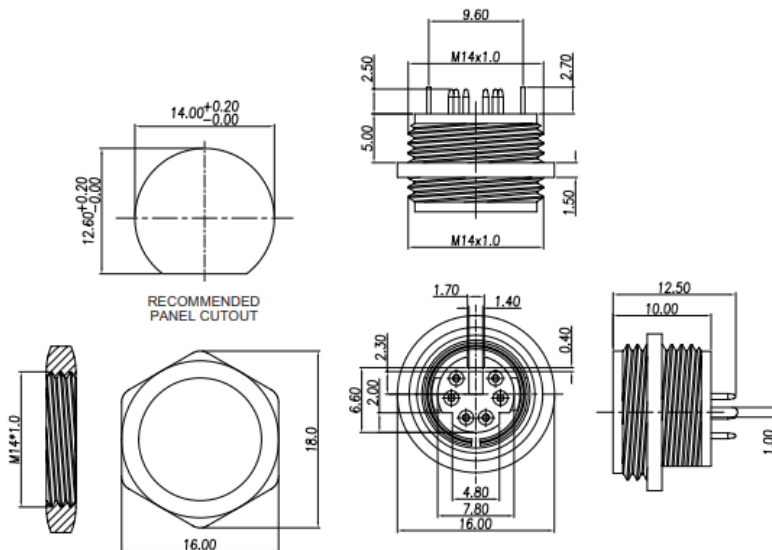
MD-40CV, MD-60CV, MD-80CV

Reason(s) for Change: New factory location and tooling. To enhance product reliability and production consistency.

Functionality: Changes are within specified tolerances.

Description of Change: Small dimensional changes, shown in the drawing below

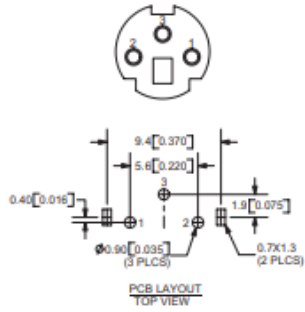
OLD



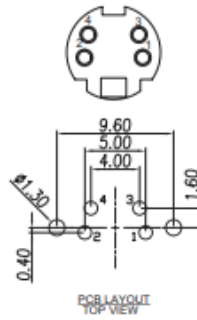
# CUI DEVICES

6405 SW Rosewood St, Ste C  
Lake Oswego, OR 97035

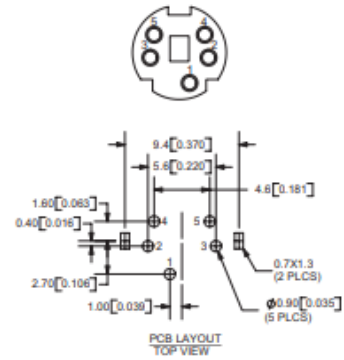
**MD-30CV**



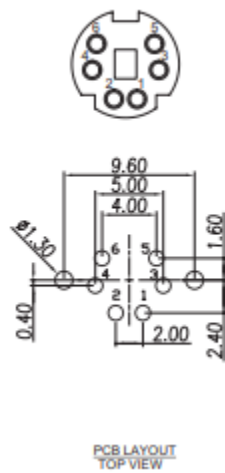
**MD-40CV**



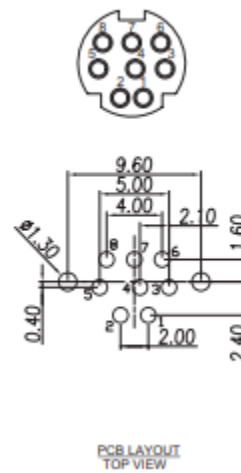
**MD-50CV**



**MD-60CV**



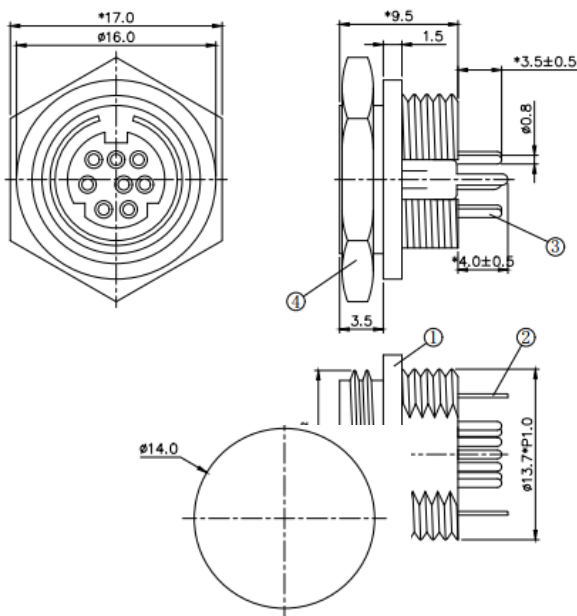
**MD-80CV**



# CUI DEVICES

6405 SW Rosewood St, Ste C  
Lake Oswego, OR 97035

NEW



ARRANGEMENT OF CONTACTS						
NO. OF CONTACTS	3	4	5	6	7	8
					not available	
HOLE LAYOUT						

Affected Date Code: 02/25/2022  
Product Availability: pertaining to market availability

PCN Approval:

Operations/Quality

*Rae D. ...*

Product Management

*[Signature]*