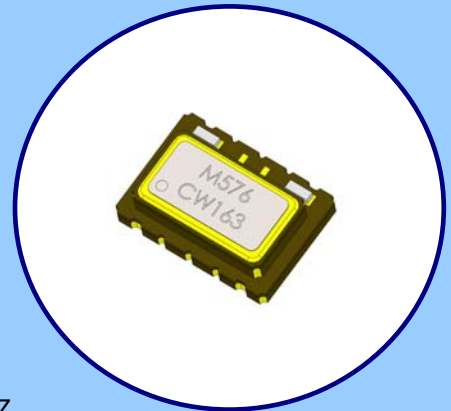




FEATURES

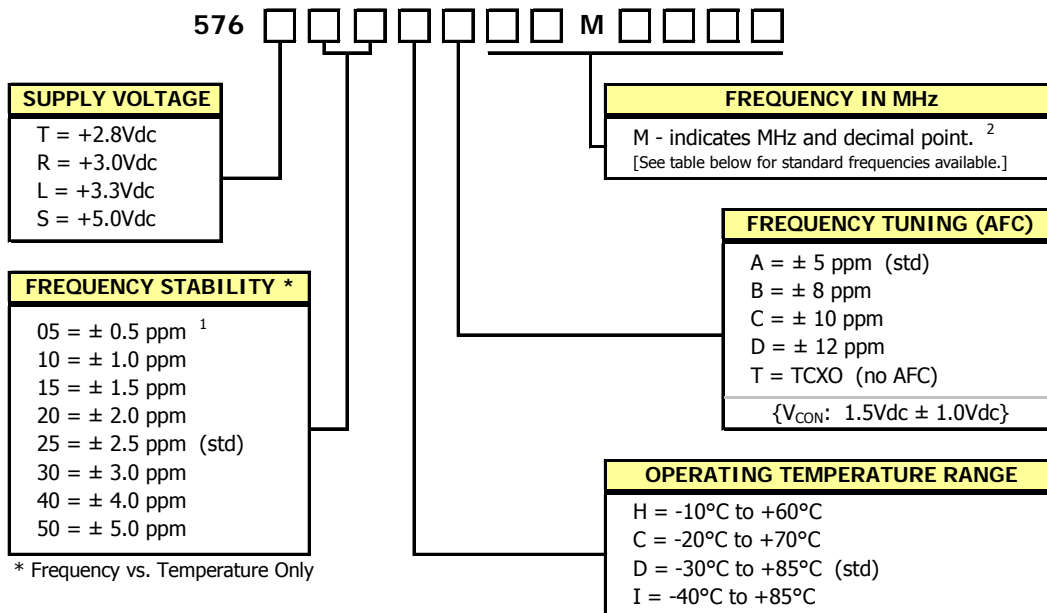
- CMOS Output
- Optional Voltage Control for Frequency Tuning [VCTCXO]
- 7.0mmx5.0mm Surface Mount Package
- Frequency Range 10 – 40 MHz [Standard Frequencies List Shown Below]
- Fundamental Crystal Design
- Frequency Stability, several options to choose from, $\pm 0.5\text{ppm} \sim \pm 5.0\text{ppm}$
- Operating Voltage, +2.8Vdc \sim +5.0Vdc
- Operating Temperature to -40°C to +85°C
- Tape & Reel Packaging Available
- RoHS/Green Compliant (6/6)



APPLICATIONS

The Model 576 Temperature Compensated Crystal Oscillator (TCXO) is a quartz based, CMOS output, analog temperature compensated oscillator with optional frequency tuning, in a hermetically sealed ceramic package. M576 is suitable for base stations, wireless communications, test and measurement, Femtocell, WLAN/WiMax/WIFI and mobile phone applications.

ORDERING INFORMATION



1] Only available with temperature range codes "H" and "C".
2] Frequency is recorded with two leading digits before the 'M' and 4 significant digits after the 'M' (including zeros).
[Ex. XXMXXXX (10M0000), XXMXXXX (16M3840)]

**Not all performance combinations and frequencies may be available.
Contact your local CTS Representative or CTS Customer Service for availability.**

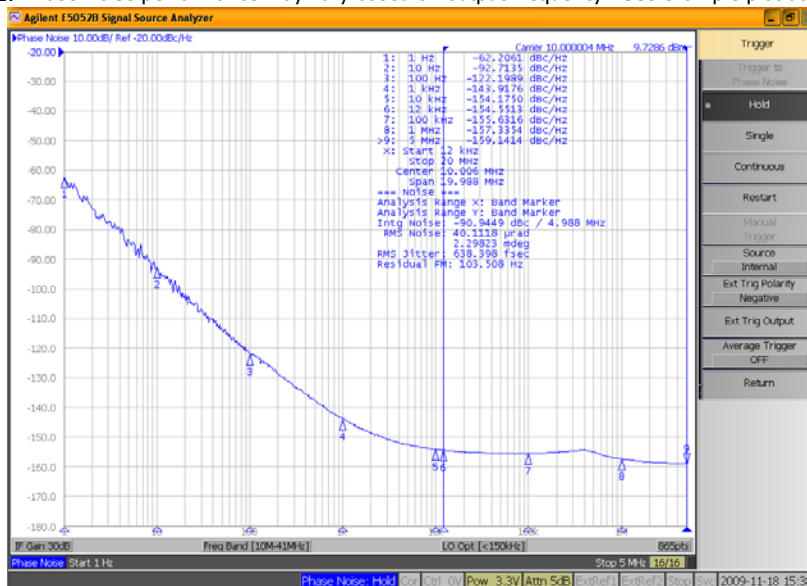
M576 Standard Frequencies					
10.000 MHz	12.800 MHz	16.800 MHz	19.440 MHz	24.576 MHz	32.000 MHz
10.240 MHz	14.000 MHz	18.000 MHz	20.000 MHz	25.000 MHz	32.768 MHz
12.000 MHz	15.360 MHz	18.432 MHz	20.480 MHz	26.000 MHz	38.880 MHz
12.288 MHz	16.000 MHz	19.200 MHz	24.000 MHz	27.000 MHz	40.000 MHz

ELECTRICAL CHARACTERISTICS

PARAMETER	SYMBOL	CONDITIONS	MIN	TYP	MAX	UNIT
Maximum Supply Voltage	V _{CC}	-	-0.6	-	6.0	V
Maximum Control Voltage	V _C	-	-0.5	-	V _{CC}	V
Storage Temperature	T _{STG}	-	-55	-	125	°C
Frequency Range	f _O	Std frequencies listed in Ordering Information	10	-	40	MHz
Frequency Stability	Δf/f _O	Frequency vs. Temperature Only	0.5,1.0,1.5,2.0 2.5,3.0,4.0,5.0			± ppm
Frequency Stability vs. Initial Calibration	-	@25°C	-	-	1.0	± ppm
vs. Supply Voltage		±5% change	-	0.3	0.5	
vs. Load		±10% change	-	-	0.2	
vs. Reflow Shift		After 2 reflows	-	-	2.0	
vs. Aging		1st year	-	-	1.0	
		10 year (Except stability code 05)	-	-	8.0	
Operating Temperature	T _A	-	-10	25	60	°C
Order Code 'H'			-20		70	
Order Code 'C'			-30		85	
Order Code 'D'			-40		85	
Order Code 'I'						
Supply Voltage	V _{CC}	±5%	2.66	2.8	2.94	V
Order Code 'T'			2.85		3.15	
Order Code 'R'			3.14		3.47	
Order Code 'L'						
Order Code 'L'						
Supply Current	I _{CC}	-	-	-	6.0	mA
Control Voltage	V _C	-	0.5	1.5	2.5	V
Frequency Tuning [VCTCXO Only]	-	V _C = 1.5V ±1.0V	5,8,10,12			± ppm
V _C Input Impedance	Z _C	-	100	-	-	kOhm
Output Waveform		DC coupled CMOS				
Output Voltage Levels						
Logic '1' Level	V _{OH}	CMOS Load	0.9*V _{CC}	-	-	V
Logic '0' Level	V _{OL}	CMOS Load	-	-	0.1*V _{CC}	
Output Load	R _L // C _L	-	-	-	15	pF
Rise and Fall Time	T _R T _F	@ 20% - 80% Levels	-	3.0	6.0	ns
Output Duty Cycle	SYM	@ 50% Level	45	-	55	%
Start Up Time	T _S	-	-	-	2	ms
Phase Noise ¹	-	-				dBc/Hz

Notes:

1. Phase Noise performance may vary based on output frequency. See example plot at 10 MHz below.

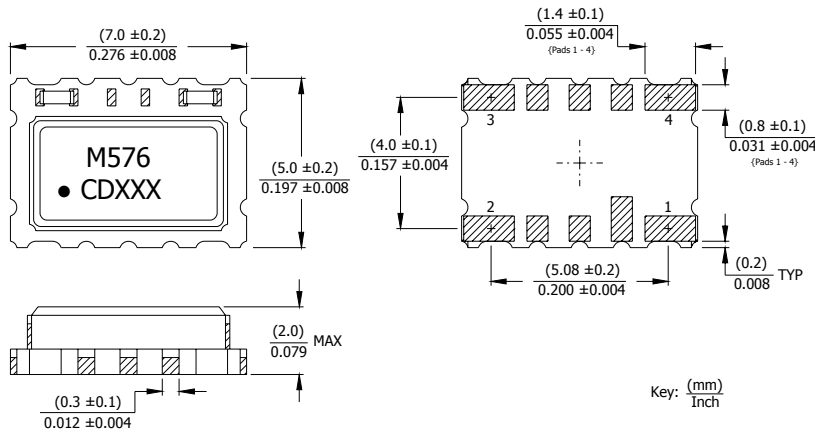


SINGLE SIDE BAND PHASE NOISE
(typical maximums @ 10 MHz)

Frequency Offset	Phase Noise (dBc/Hz)
10 Hz	-95
100 Hz	-120
1k Hz	-140
10k Hz	-148

MECHANICAL SPECIFICATIONS

PACKAGE DRAWING



MARKING INFORMATION

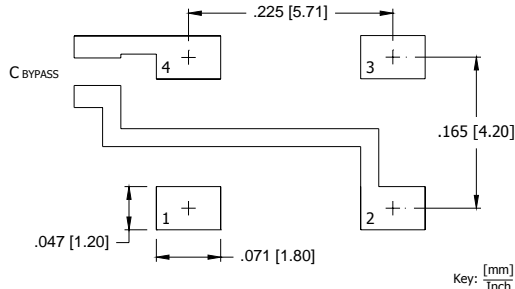
1. M576 - CTS Model Series.
2. ● - Pin 1 identifier.
3. C - CTS identifier.
4. D - Date code. See Table II for codes.
5. XXX - Frequency code. See Table I for codes.

Complete CTS part number, frequency value and date code information must appear on reel and carton labels.

NOTES

1. DO NOT make connections to non-labeled pins. Castellation pins may have internal connections used in the manufacturing process.
2. Termination pads (e4); barrier plating is nickel (Ni) with gold (Au) flash plate.
3. Reflow conditions per JEDEC J-STD-020, 260°C maximum.

SUGGESTED SOLDER PAD GEOMETRY



C_{BYPASS} should be ≥ 0.01 uF.

TABLE I – FREQUENCY CODING

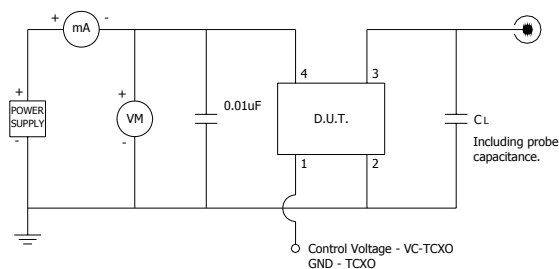
FREQUENCY	MARKING CODE	FREQUENCY	MARKING CODE	FREQUENCY	MARKING CODE	FREQUENCY	MARKING CODE
10.000 MHz	100	15.360 MHz	153	18.432 MHz	184	25.000 MHz	250
10.240 MHz	102	16.000 MHz	160	19.200 MHz	192	26.000 MHz	260
12.000 MHz	120	16.367 MHz	16A	19.440 MHz	194	27.000 MHz	270
12.288 MHz	122	16.367667 MHz	16B	19.680 MHz	196	32.000 MHz	320
12.800 MHz	128	16.368 MHz	16C	19.800 MHz	198	32.512 MHz	325
13.000 MHz	130	16.369 MHz	16D	19.998 MHz	199	32.768 MHz	327
13.500 MHz	135	16.384 MHz	163	20.000 MHz	200	38.880 MHz	388
14.000 MHz	140	16.800 MHz	168	20.480 MHz	204	40.000 MHz	400
14.400 MHz	144	18.000 MHz	180	24.000 MHz	240		

Not all frequencies listed may be available for this design.

TABLE II – DATE CODE

YEAR \ MONTH					JAN	FEB	MAR	APR	MAY	JUN	JUL	AUG	SEP	OCT	NOV	DEC
2001	2005	2009	2013	2017	A	B	C	D	E	F	G	H	J	K	L	M
2002	2006	2010	2014	2018	N	P	Q	R	S	T	U	V	W	X	Y	Z
2003	2007	2011	2015	2019	a	b	c	d	e	f	g	h	j	k	l	m
2004	2008	2012	2016	2020	n	p	q	r	s	t	u	v	w	x	y	z

TEST CIRCUIT – RL//CL LOAD



D.U.T. PIN ASSIGNMENTS

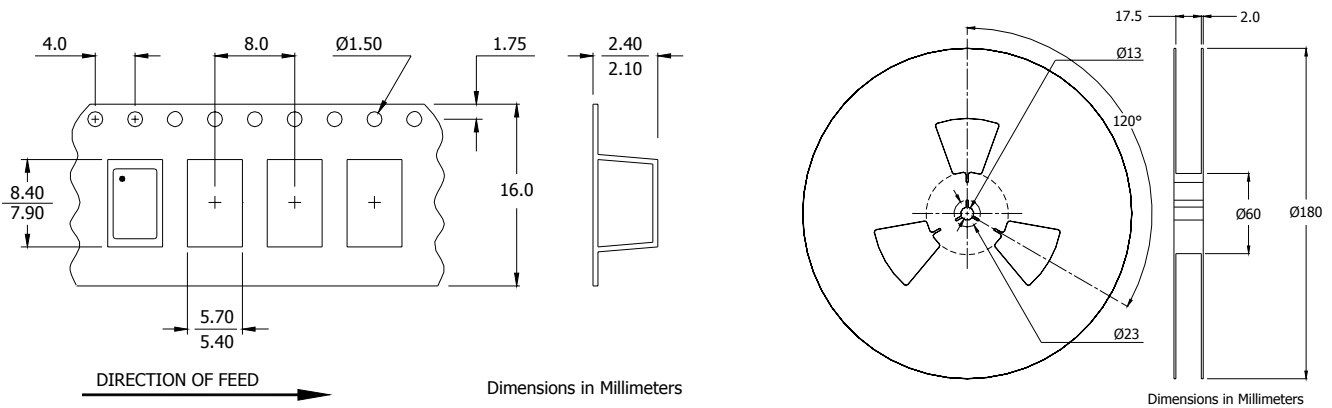
PIN	SYMBOL	DESCRIPTION
1	V _C	Control Voltage – VCTCXO (Note 1) GND - TCXO
2	GND	Circuit & Package Ground
3	Output	CMOS Output
4	V _{CC}	Supply Voltage

NOTES

1. Connect to ground for TCXO (no AFC) option.

PACKAGING INFORMATION

Device quantity is 1,000 pieces per 180mm reel.



ENVIRONMENTAL SPECIFICATIONS

Temperature Cycle:	400 cycles from -55°C to +125°C, 10 minute dwell at each temperature, 1 minute transfer time between temperatures.
Mechanical Shock:	1,500g's, 0.5mS duration, 1/2 sinewave, 3 shocks each direction along 3 mutually perpendicular planes (18 total shocks).
Sinusoidal Vibration:	0.06 inches double amplitude, 10 to 55 Hz and 20g's, 55 to 2,000 Hz, 3 cycles each in 3 mutually perpendicular planes (9 times total).
Gross Leak:	No leak shall appear while immersed in an FC40 or equivalent liquid at +125°C for 20 seconds.
Fine Leak:	Mass spectrometer leak rates less than 2×10^{-8} ATM cc/sec air equivalent.
Resistance to Solder Heat:	Product must survive 3 reflows of +250°C maximum, 10 seconds maximum.
High Temperature Operating Bias:	2,000 hours at +125°C, disregarding frequency shift.
Frequency Aging:	1,000 hours at +85°C.
Insulation Resistance:	500M Ohms @ 100V _{DC} ±15V _{DC} .
Moisture Sensitivity Level:	Level 1 per JEDEC J-STD-020.