

M83723/84

JAM NUT RECEPTACLE: SOCKET
 CLASSES A, G, K, N, R, S, W IAW MIL-C-83723
 SEE PAGE 16 FOR ORDERING INFORMATION

M83723/85

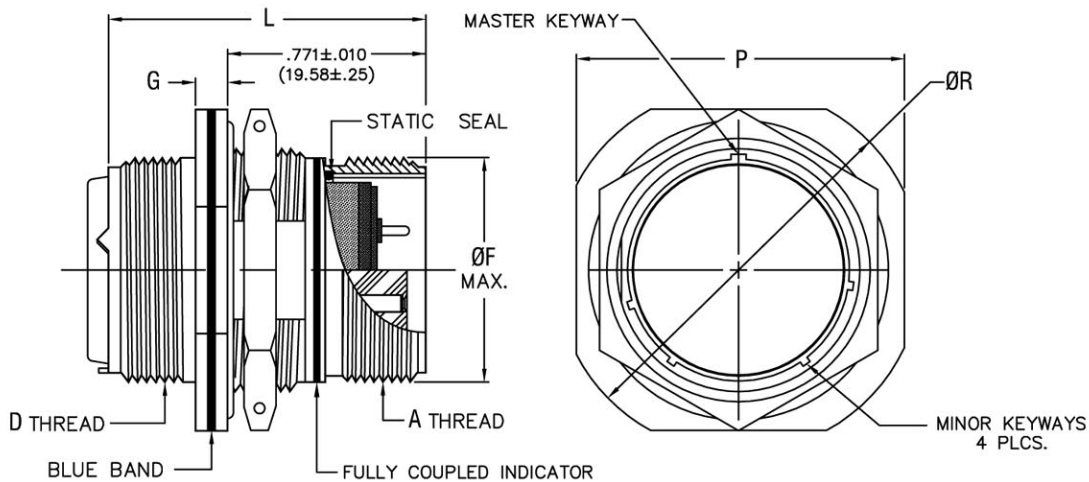
JAM NUT RECEPTACLE: PIN
 CLASSES A, G, K, N, R, S, W IAW MIL-C-83723
 SEE PAGE 16 FOR ORDERING INFORMATION

JT58

JAM NUT RECEPTACLE: SOCKET
 CLASSES - (DASH), J, S, W
 SEE PAGE 17 FOR ORDERING INFORMATION

JT59

JAM NUT RECEPTACLE: PIN
 CLASSES - (DASH), J, S, W
 SEE PAGE 17 FOR ORDERING INFORMATION



- DIMENSIONS ARE IN INCHES. (DIMENSIONS IN PARENTHESIS ARE IN MILLIMETERS).
- M83723 CLASS "N & S" CONNECTORS HAVE 360° CIRCUMFERENTIAL REAR ACCESSORY TEETH. ALL OTHER JAM-NUT RECEPTACLES ARE TO HAVE 3 REAR ACCESSORY TEETH AS SHOWN.

SHELL SIZE	A THREAD CLASS 2A	D THREAD CLASS 2A	ØF MAX.	G MAX.	P MAX.	R MAX.	L MAX.	
							ALL OTHERS	83723 CLASS S
8	.562-24 UNEF	.500-20 UNEF	.562 (14.27)	.137 (3.48)	.980 (24.89)	1.078 (27.38)	1.240 (31.50)	1.340 (34.04)
10	.688-24 UNEF	.625-24 UNEF	.696 (17.68)	.137 (3.48)	1.104 (28.04)	1.192 (30.28)	1.240 (31.50)	1.340 (34.04)
12	.875-20 UNEF	.750-20 UNEF	.875 (22.23)	.137 (3.48)	1.291 (32.79)	1.380 (35.05)	1.240 (31.50)	1.340 (34.04)
14	.938-20 UNEF	.875-20 UNEF	.936 (23.77)	.137 (3.48)	1.391 (35.33)	1.561 (39.65)	1.240 (31.50)	1.340 (34.04)
16	1.062-18 UNEF	1.000-20 UNEF	1.062 (26.97)	.137 (3.48)	1.516 (38.51)	1.641 (41.68)	1.240 (31.50)	1.340 (34.04)
18	1.188-18 UNEF	1.062-18 UNEF	1.187 (30.15)	.137 (3.48)	1.641 (41.68)	1.766 (44.86)	1.240 (31.50)	1.340 (34.04)
20	1.312-18 UNEF	1.188-18 UNEF	1.312 (33.32)	.137 (3.48)	1.766 (44.86)	1.954 (49.63)	1.240 (31.50)	1.340 (34.04)
22	1.438-18 UNEF	1.312-18 UNEF	1.437 (36.50)	.148 (3.76)	1.954 (49.63)	2.078 (52.78)	1.240 (31.50)	1.340 (34.04)
24	1.562-18 UNEF	1.438-18 UNEF	1.562 (39.67)	.168 (4.27)	2.079 (52.81)	2.182 (55.42)	1.240 (31.50)	1.340 (34.04)