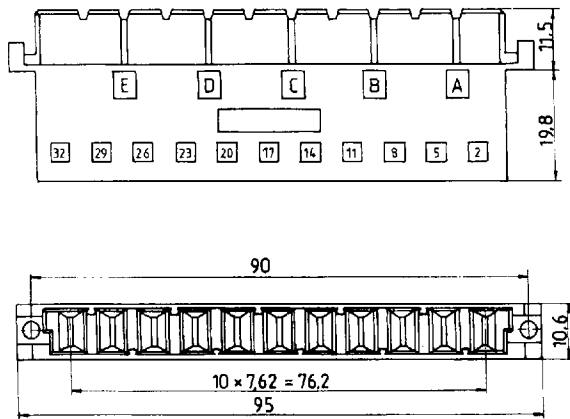
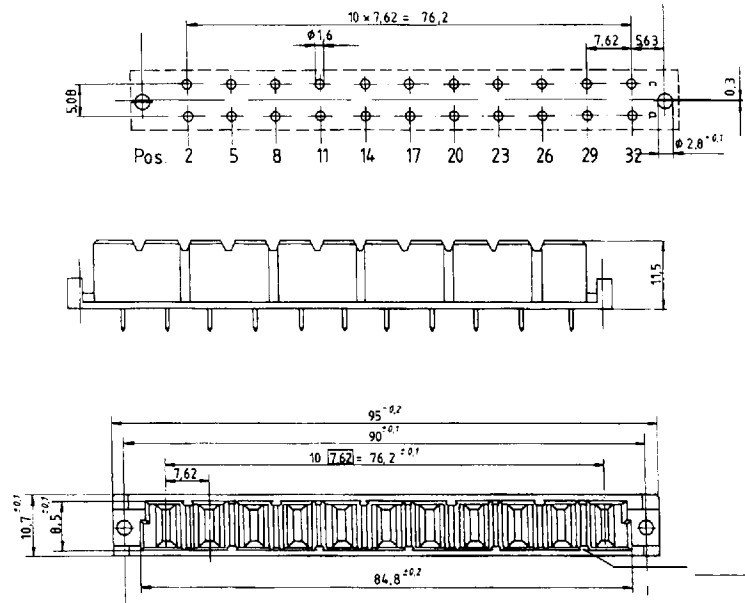


Female connector

Drawing

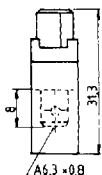


Board drillings

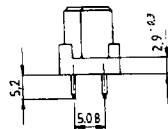


Type of termination

Faston



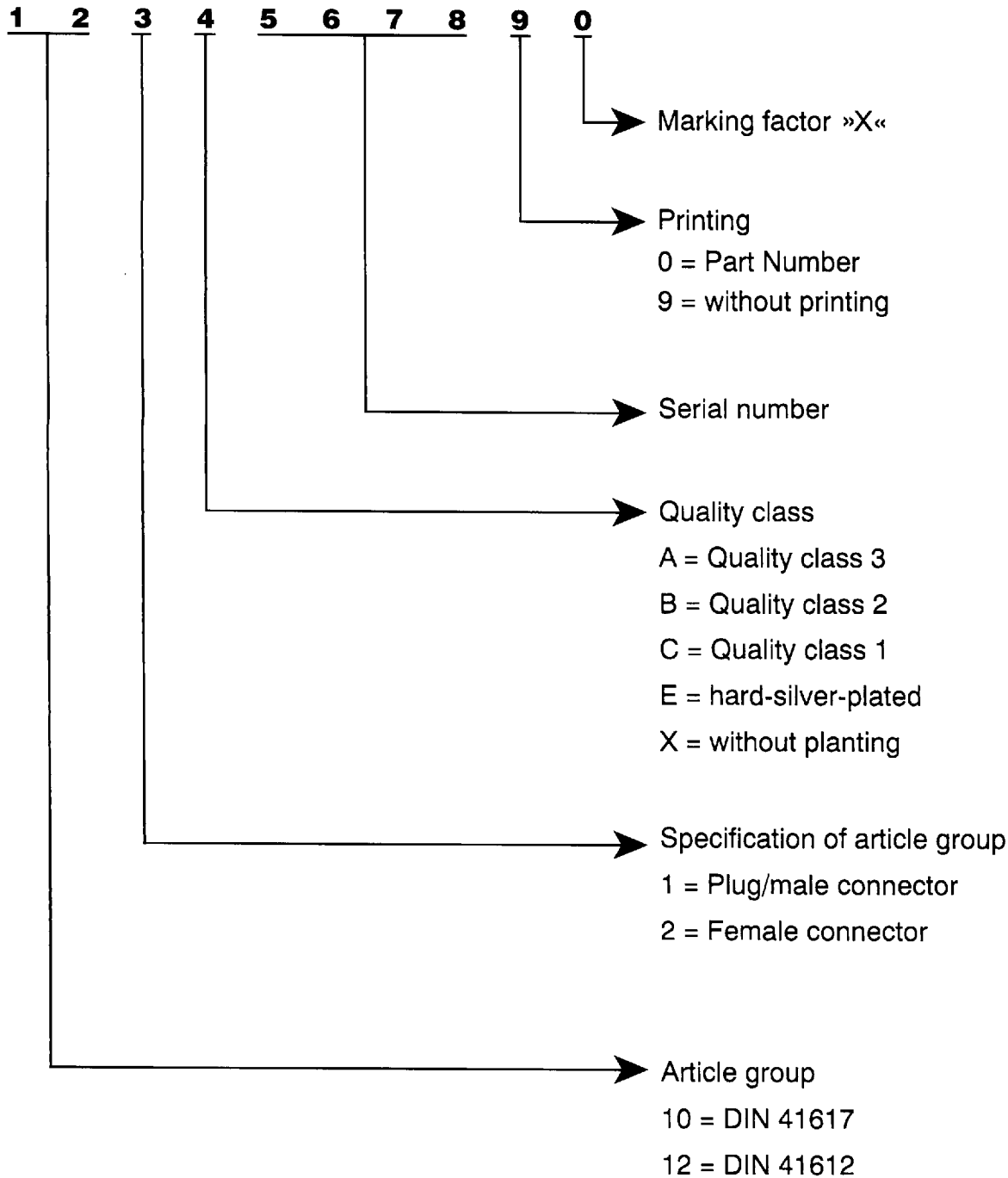
Solder pin



Part numbers

No. of Pos.	Female connector		
	Faston	Solder pin	Coding pice
11	H 11 FFA 122 E 11709 X	H 11 FP 5 122 E 11719 X	HKK 120 X 10019 X

Part Number



Order example

Male connector type C 64 pos. angled solder pin without printing	
Quality class	Part Number
3	C 64 M 3 A a + c 121 A 10139 X
2	C 64 M 2 A a + c 121 B 10139 X
1	C 64 M 1 A a + c 121 C 10139 X

■ 9017935 0000163 041 ■

Type M/2	Type R	Type R/2	Type D	Type E	Type F	Type F Ex-i	Type G	Type H	Mixed connectors	
									F	H
≤ 20 mΩ	≤ 20 mΩ	≤ 20 mΩ	≤ 15 mΩ	≤ 15 mΩ	≤ 15 mΩ	≤ 15 mΩ	≤ 15 mΩ	≤ 15 mΩ	≤ 15 mΩ	≤ 8 mΩ
≥ 10 ¹² Ω	≥ 10 ¹² Ω	≥ 10 ¹² Ω	≥ 10 ¹² Ω	≥ 10 ¹² Ω	≥ 10 ¹² Ω	≥ 10 ¹² Ω	≥ 10 ¹² Ω	≥ 10 ¹² Ω	≥ 10 ¹² Ω	
≥ 10 ¹² Ω	≥ 10 ¹² Ω	≥ 10 ¹² Ω	≥ 10 ¹² Ω	≥ 10 ¹² Ω	≥ 10 ¹² Ω	≥ 10 ¹² Ω	≥ 10 ¹² Ω	≥ 10 ¹² Ω	≥ 10 ¹² Ω	
≥ 10 ¹¹ Ω	≥ 10 ¹¹ Ω	≥ 10 ¹¹ Ω	≥ 10 ¹¹ Ω	≥ 10 ¹¹ Ω	≥ 10 ¹¹ Ω	≥ 10 ¹¹ Ω	≥ 10 ¹¹ Ω	≥ 10 ¹¹ Ω	≥ 10 ¹¹ Ω	
≥ 1,2 mm	≥ 1,2 mm	≥ 1,2 mm	≥ 3 mm	≥ 3 mm	≥ 1,6 mm	≥ 1,6 mm	≥ 1,6 mm f+z	≥ 4,5 mm	≥ 1,6 mm	≥ 4,5 mm
≥ 1,2 mm	≥ 1,2 mm	≥ 1,2 mm	≥ 3 mm	≥ 3 mm	≥ 3 mm	≥ 3 mm	≥ 3 mm ≥ 1,9 mm f+z	≥ 8 mm	≥ 3 mm	≥ 8 mm
1000 V	1000 V	1000 V	1000 V	1000 V	1550 V	1550 V	1550 V	3100 V	1550 V	3100 V
1550 V	1550 V	1550 V	1550 V	1550 V	2550 V	2550 V	2550 V	3100 V	1550 V	3100 V
250 V	250 V	250 V	125 V	125 V	125 V	125 V	125 V	500 V	125 V	500 V
A	A	A	C	C	C	C	C	C	C	C
2 A 1 A 0,5 A	2 A 1 A 0,5 A	2 A 1 A 0,5 A	5,5 A 4 A 2,5 A	5,5 A 4 A 2,5 A	5,5 A 4 A 2,5 A	5,5 A 4 A 2,5 A	5,5 A 4 A 2,5 A	15 A 12 A 8 A	5,5 A 4 A 2,5 A	15 A 12 A 8 A
-55° C ... +125° C	-55° C ... +125° C	-55° C ... +125° C	-55° C ... +125° C	-55° C ... +125° C	-55° C ... +125° C	-55° C ... +125° C	-55° C ... +125° C	-55° C ... +125° C	-55° C ... +125° C	-55° C ... +125° C
X	X	X	X	X	X	X	X	X	X	X

Copper alloy

X	X	X	X	X	X	X	X	X	X
								X	

UL 94 V-1

UL 94 V-0

UL 94 H-B

16+8p 75 N 30+2p 45 N 20+2p 35 N 12+4p 40 N 8+4p 38 N 87+1p 90 N 58+1p 85 N	32p 30N	16p 15N	16p 20N	16p 20N	32p 50N	32p 50N	64p 100N	11p 80N	16p + 7p 67 N
	64p 60N	32p 30N	32p 40N	32p 40N	48p 75N	48p 75N		15p 90N	24p + 7p 79 N
	96p 90N	48p 45N		48p 60N					36p + 7p 96 N
X	X	X	X	X	X	X	X		X
X	X	X	X	X	X	X	X		
X	X	X	X	X	X	X	X		
								X	
									X