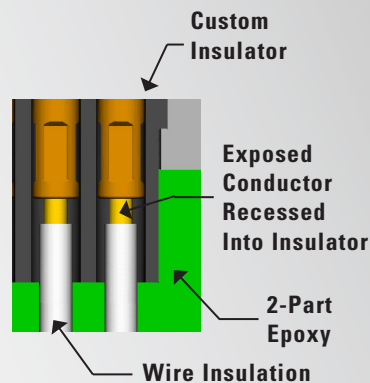


High Temperature “DCHM” Dura-Con™ Micro-D Socket PCB Connectors

Interconnect Technology

Cinch has teamed our proven twist pin technology with these custom designed plug insulators capable of meeting the extreme mechanical and electrical needs in the harshest environments of military/aerospace and industrial applications such as Down Hole Directional Drilling.



Cinch’s unique plug insulators are designed to provide increased electrical protection between contact cavities preventing any potential shorts due to exposed wire or epoxy voids. Comprised of LCP material these connectors offer superior performance and long life in severe environments.

Our socket right angle connectors included in this brochure mate with the above plug connectors to provide the confidence needed in a high temperature application.

Product Offerings

- Full harnessing capabilities ranging from simple point-point to complex with many branches
- Custom configurations and modifications available to fit unique packaging and design requirements

Cinch’s Twist Pin Advantage

- Combine the twist pin performance with increased temperature range
- BeCu wire strands provide seven points of electrical contact
- Achieve high mating cycles and better resistance to shock and vibration
- Approved system applications (Aerospace, Defense and Geo-Thermal)
- Qualified and approved to Mil-DTL-83513

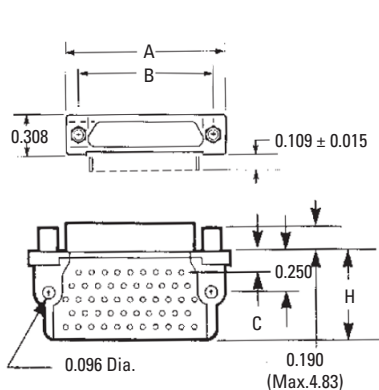


**Detail of
Dura-Con™ Twist Pin**

Shell Dimensions

90° Narrow Termination

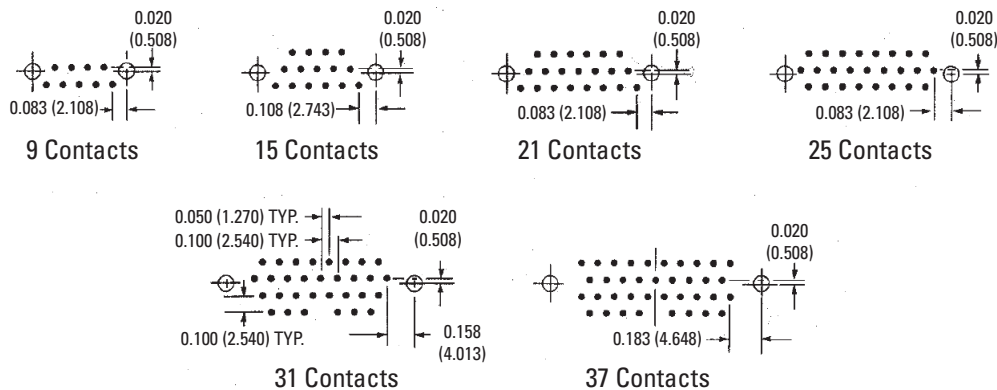
Socket



Termination Arrangements

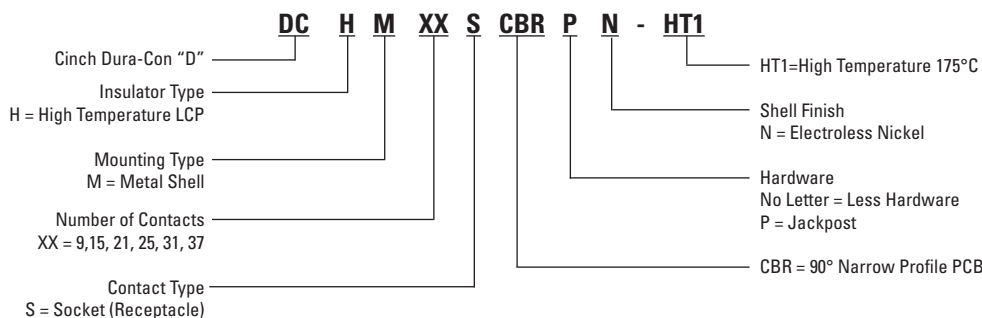
Per MIL-DTL-83513

(as viewed from bottom of terminal block)



No. of Contacts	A Max.		B ±0.005 (0.13)		C ±0.010 (0.25)		D Max.	
	In.	mm.	in.	mm.	in.	mm.	in.	mm.
9 Socket	0.785	19.940	0.565	14.350	0.230	5.840	0.420	10.670
15 Socket	0.935	23.750	0.715	18.160	0.130	3.300	0.420	10.670
21 Socket	1.085	27.560	0.865	21.970	0.130	3.300	0.420	10.670
25 Socket	1.185	30.100	0.965	24.510	0.130	3.300	0.420	10.670
31 Socket	1.335	33.910	1.115	28.320	0.130	3.300	0.520	13.210
37 Socket	1.485	37.720	1.265	32.130	0.130	3.300	0.520	13.210

How to Order



Performance Characteristics	
Operating Temperature	-40°C to 175°C (-40°F to 347°F)
Shock	50 G's per MIL-STD-1344, Method 2004, Condition E (EIA-364-27, Condition E)
Vibration	20 G's per MIL-STD-1344, Method 2005, Condition IV (EIA-364-28, Condition IV)
Sizes	9, 15, 21, 25, 31 and 37. Please consult factory for larger sizes.