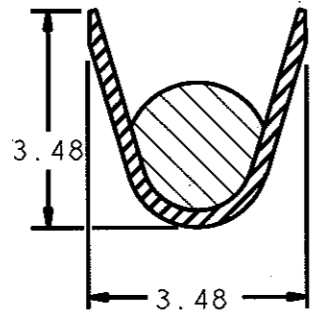
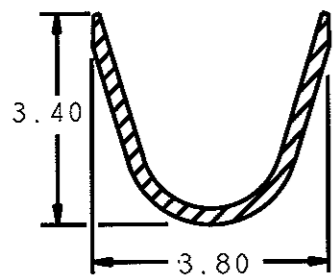
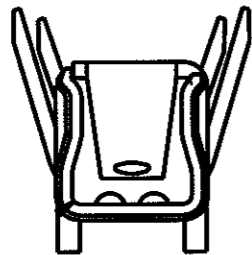


SECTION C-C

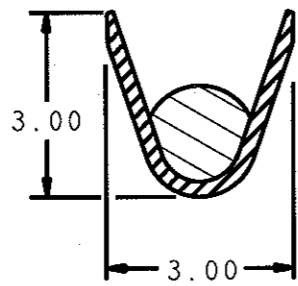


SECTION D-D

P/N 4250000873

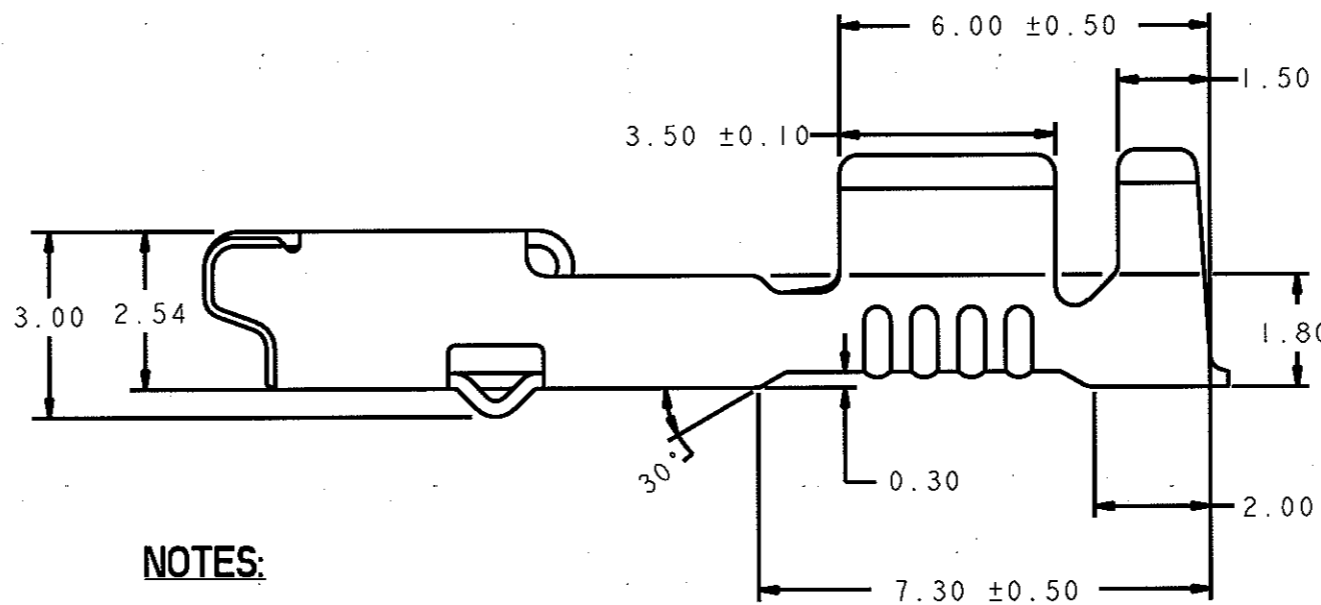
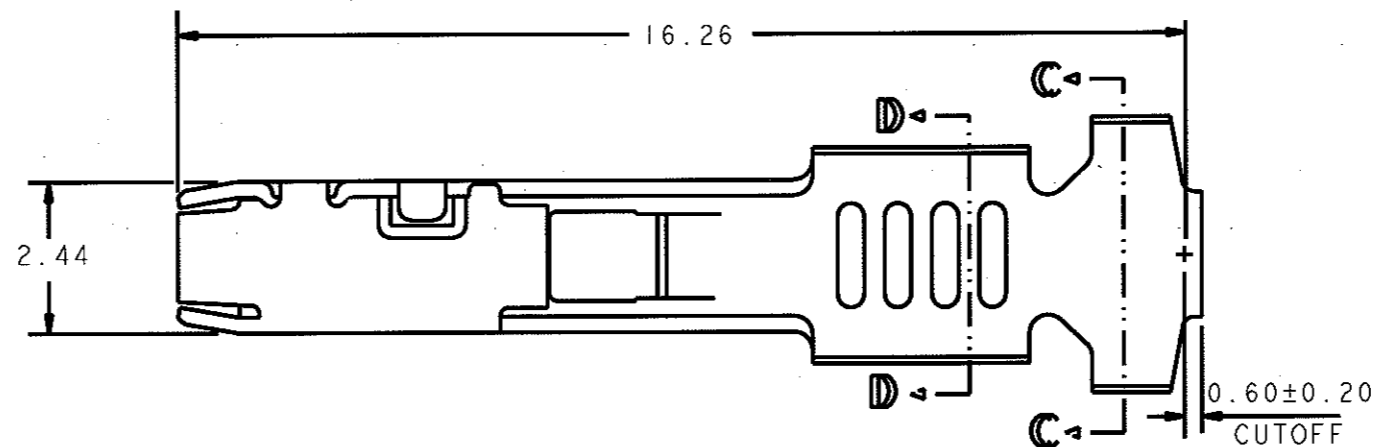


SECTION C-C



SECTION D-D

P/N 4250000872



NOTES:

1. TERMINAL MATERIAL: HIGH PERFORMANCE COPPER BASED ALLOY.
2. TERMINAL PRE-PLATED 1.0 MIN MICRON THICKNESS 100% TIN (Sn) OVERALL.
3. TERMINALS SUPPLIED 3,500 EA. PER REEL.
4. TOLERANCES UNLESS OTHERWISE NOTED:
 X.X ± 0.5
 X.XX ± 0.30
5. ALL DIMENSIONS IN MM UNLESS OTHERWISE SPECIFIED.

DRAWING REVISIONS

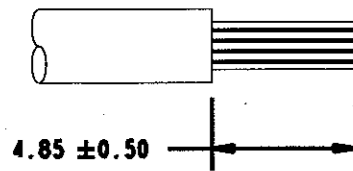
REV	DOCUMENT	APP	DATE
A	PRODUCTION RELEASE ECN #99-1161	RWB	11/99
B	SHEET 1 1.0 MICRON WAS 2.0 MICRON 3.500 WAS 7.00 PER REEL ADD NOTE 4 SHEET 2 UPDATE CRIMP SPEC ECN #00E068	JOD	01/01
C	REVISED PER ECN #01A460	JOD	04/20/01
D	REVISED PER ECN #02A617	AC	08/12/02
E	REM: 18 AWG TXL PER ECN #02A722	AC	09/19/02
F	ADD: 18 AWG TXL PER ECN #03A448	AC	03/03/03
G	ADD: 16 STRAND 18 AWG TXL/GXL PER ECN #03A448	AC	04/23/03
H	ADD: NOTE 5 PER ECN #03A831	<i>gdp</i>	<i>1/26/04</i>

MODELED BY: NAME

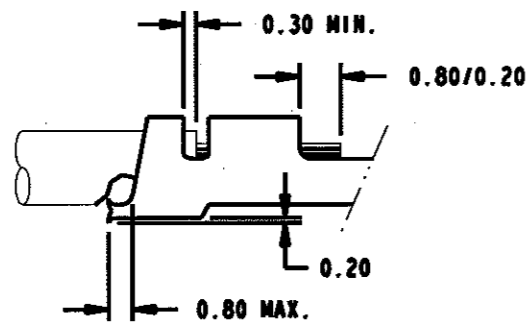
UNITS	ENGLISH	PRO/E	Cinch	1700 FINLEY RD LOMBARD, IL. 60148
DO NOT SCALE DRAWING	DRAWN BY R. BYCZEK	DATE 12/21/99	TITLE FEMALE TERMINAL BIR 16/20 AWG UNIVERSAL	
UNLESS OTHERWISE SPECIFIED: ALL DIMENSIONS ARE IN INCHES	DESIGN ENGINEER R. BYCZEK	12/21/99	MATERIAL SEE NOTES	
FILLET/RADIUS .02 MAX	DESIGN ENGINEERING MGR. R. BYCZEK	05/09/00	MATERIAL SPEC NUMBER	CONTROL SPEC NUMBER
TOLERANCES AND LIMITS APPLY OVER ADDITIVE FINISH	MFG. ENGINEERING P. WALTHALL	05/09/00	FINISH SEE NOTES	PROJECT NUMBER A14243
	QUALITY ASSURANCE T. SHAH	05/09/00	CAO FILE NUMBER 4250000872S	DRAWING NUMBER 425 00 00 872S
			CAGE IDENT NO. SIZE 71785 B	SCALE 1:1
				SHEET 1 OF 2

STRIP AND CRIMP SPECIFICATIONS

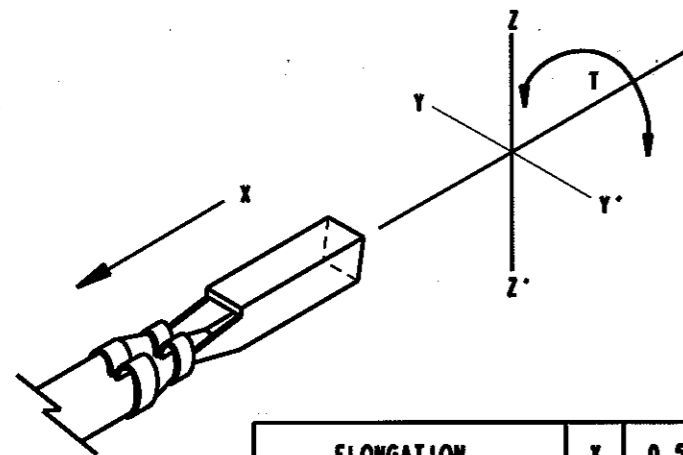
WIRE STRIP LENGTH



TERMINAL POSITION



DIMENSIONS AFTER CRIMPING



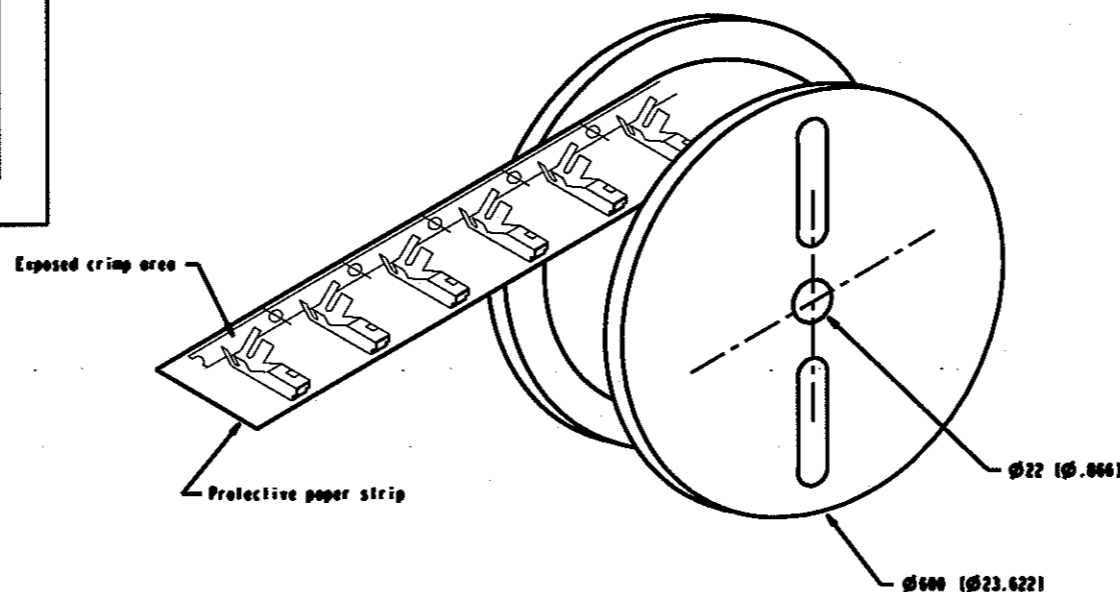
ELONGATION	X	0.50 MAX.
DEFORMATION	Y	3° MAX.
DEFORMATION	Y'	3° MAX.
FLEX	Z	2° MAX.
FLEX	Z'	3° MAX.
TORSION	T	3° MAX.

CRIMP DIMENSIONS

SINGLE CONDUCTOR		DUAL CONDUCTOR		INSULATION		FORCE READINGS AS TESTED		PULL OFF FORCE AS SPECIFIED							
STRANDED	SOLID	[Diagram]		STRANDED		AVG.	MIN.								
H	W	H	W	H	L	H	W	AVG.	MIN.						
± 0.03	± 0.02	± 0.38	± 0.38	± 0.38	± 0.38	± 0.05	± 0.05								
.5	20	7	GXL	2.11 (.083)	2.03 (.080)	425 00 00 872	1.10	2.04			2.50	2.58	37	36	14.8
.5	20	19	GXL	2.34 (.092)	2.18 (.086)	425 00 00 872	1.10	2.04			2.40	2.55			
.8	18	19	TXL	2.12 (.083)	1.96 (.077)	425 00 00 872	1.20	2.05			2.45	2.55			
.8	18	19	GXL	2.42 (.095)	2.26 (.089)	425 00 00 873	1.20	2.23			2.55	2.82	49	47	19.8
.8	18	16	TXL	2.12 (.083)	1.96 (.077)	425 00 00 872	1.18	2.05			2.35	2.50			
.8	18	16	GXL	2.42 (.095)	2.26 (.089)	425 00 00 873	1.18	2.23			2.45	2.80	43	37	19.8
1.0	16	19	TXL	2.25 (.089)	2.09 (.082)	425 00 00 873	1.30	2.26			2.55	2.88			
1.0	16	19	GXL	2.64 (.104)	2.48 (.098)	425 00 00 873	1.30	2.26			2.58	2.88	62	58	27.0
2.0	14	19	TXL	2.66 (.105)	2.50 (.098)	425 00 00 873	1.58	2.29			2.60	2.94			62

NOTES:

- ALL DIMENSIONS IN MILLIMETERS, EXCEPT WHEN SHOWN IN PARENTHESES "()", DIMS ARE IN INCHES.
- ALL FORCES: POUNDS
- CONTACT PART NUMBER: 425000872/873
- NO WARRANTY OR GUARANTEE EXPRESSED OR IMPLIED IS MADE REGARDING THE INFORMATION PRESENTED HEREIN. IT IS, HOWEVER, TRUE AND ACCURATE TO THE BEST OF OUR KNOWLEDGE.
- PRODUCT NOT RATED FOR 14 AWG AMPERAGE (10+ AMPS), HOWEVER CAN BE USED FOR VOLTAGE DROP ONLY.



UNITS ENGLISH	Cinch 1700 FINLEY RD LOMBARD, IL. 60148	
DO NOT SCALE DRAWING	TITLE FEMALE TERMINAL BIR 16/20 AWG UNIVERSAL	
UNLESS OTHERWISE SPECIFIED: ALL DIMENSIONS ARE IN INCHES FILLET/RADIUS .02 MAX TOLERANCES AND LIMITS APPLY OVER ADDITIVE FINISH	TOLERANCES X ± .1 XX ± .01 XXX ± .005 ANGULAR ± .5	
THIS DOCUMENT IS THE PROPERTY OF CINCH. NEITHER THIS DOCUMENT NOR ANY OF THE INFORMATION CONTAINED IN IT MAY BE DUPLICATED OR DISCLOSED WITHOUT PRIOR WRITTEN CONSENT OF CINCH.		
CAD FILE NUMBER 425000872S	DRAWING NUMBER 425 00 00 872S	REV H
CAGE IDENT NO. SIZE 71785 B	SCALE 1:250	SHEET 2 OF 2