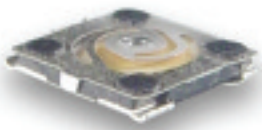


KMX Series Low Profile SMT Top Actuated



Features

- Ultra low profile 0.58mm
- Compact switch body; 4.1x4.1mm
- 1.6 and 2.2N sharp tactile feel
- 250k cycles
- ø 1.4mm actuator grounded
- RoHS compliant and compatible

Typical Applications

- Allows higher board density with compact SMT switch for ultra low profile environment: cell phones keypads, key fob, white goods, medical and military

Specification

FUNCTION: Snap action push-on type SPST/shielded
CONTACT TYPE: Normally open
TERMINALS: Gullwing type for SMT

Mechanical

OVERLOAD: 50N
TACTILE FEELING: 30% min.
ACTUATION CONDITION LIMITS:
- inclination: 4° max.
- de-centering:
* series 100: 0.15 mm max.
* series 200: 0.30 mm max.
- actuator diameter: 1 mm max. with 0.1 mm radius.

Type	Operating force Newtons (grams)	Operating life (operations)	Travel
KMX211G/213G	1.6 (160) ± 30%	250,000	0,20 ± 0,10
KMX221G/223G	2.2 (220) ± 30%	250,000	0,20 ± 0,10

Packaging

Tape and reels in reels of 10,000 pieces.
External diameter 380mm ± 2mm.

Electrical

	Silver	Gold
MAXIMUM POWER:	0.5 VA	0.5 VA
MAXIMUM VOLTAGE:	32 VDC	32 VDC
MAXIMUM CURRENT DC:	50 mA	20 mA
MINIMUM CURRENT DC:	1 mA	1 mA
CONTACT RESISTANCE:	≤ 100 mΩ	
INSULATION RESISTANCE:	≥ 50 MΩ	
BOUNCE TIME:	≤ 6 ms	

Environmental

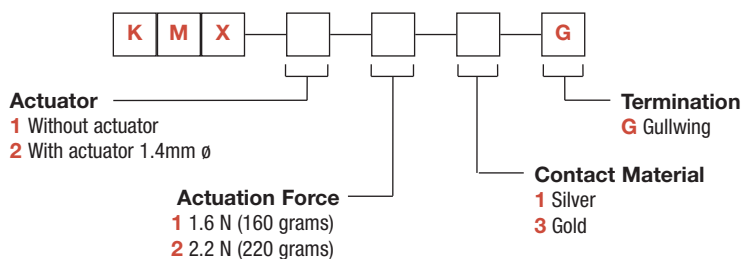
	Silver	Gold
OPERATING TEMPERATURE:	-40°C to 85°C	-40°C to 125°C
STORAGE TEMPERATURE:	-55°C to 85°C	-55°C to 125°C
RELATIVE HUMIDITY	90 to 96%	

Process

Infrared reflow soldering in accordance with IEC 61760-1

How To Order

Our easy build-a-switch concept allows you to mix and match options to create the switch you need. To order, select desired option from each category and place it in the appropriate box.

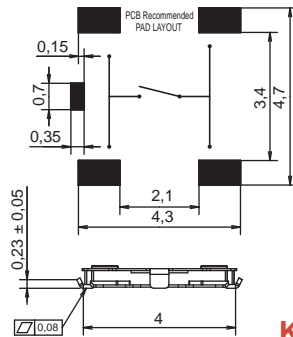
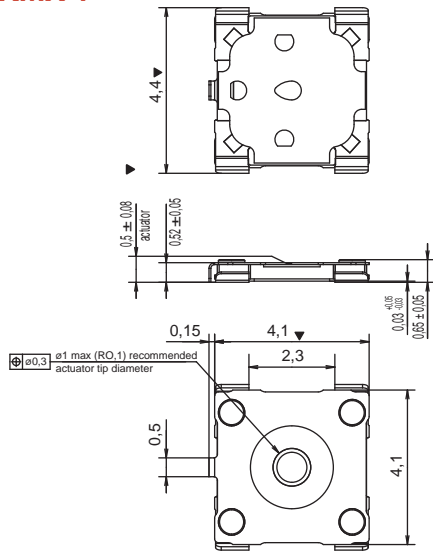


KMX Series

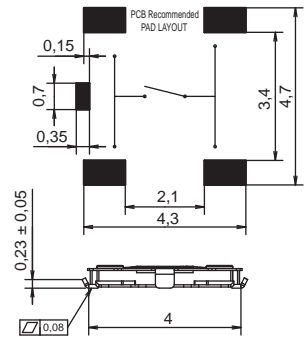
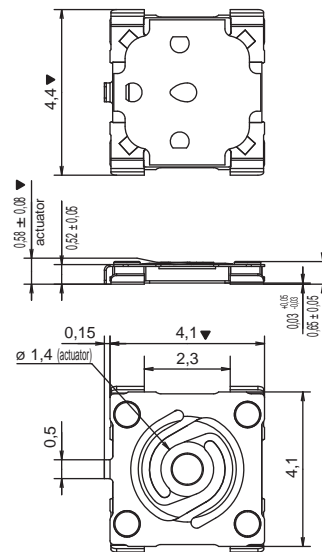
Low Profile SMT Top Actuated

Tactile Switches

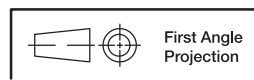
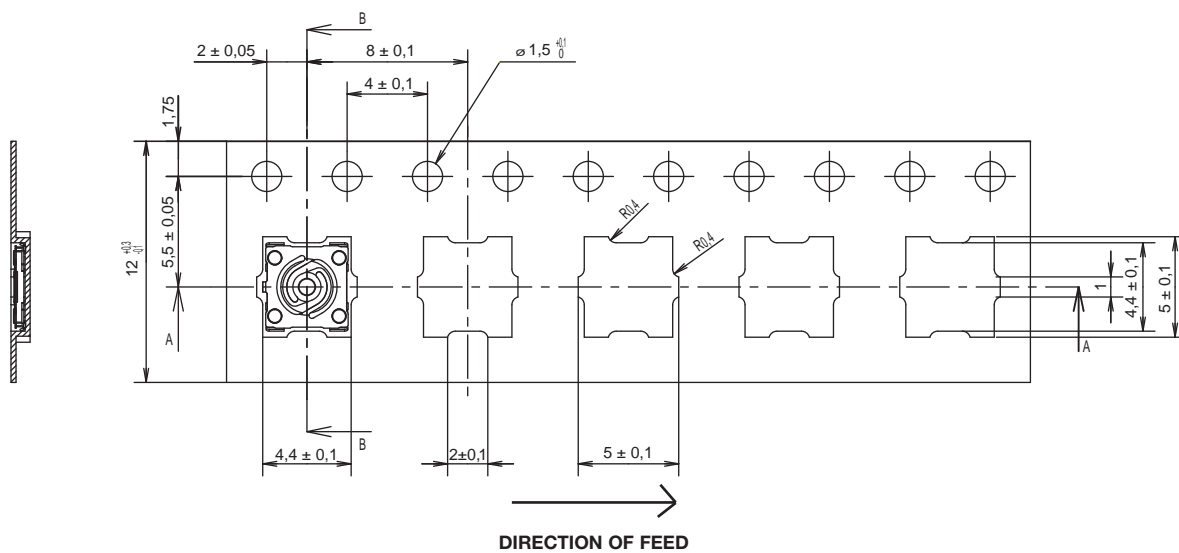
KMX 1



KMX 2



TAPE & REEL



First Angle Projection

Dimensions shown in: mm (inch)
Specifications and dimensions subject to change

