

NEW

PTS850 Series 5.4x5mm SMT Side Actuated Tact

Features/Benefits

- 5.4 x 5.0 x 1.8 mm package
- SMT termination
- Side actuated with or without boss design
- 180 & 350 gf versions
- Lifecycles 50K

Typical Applications

- Headphone/ Headset
- Health monitoring
- Sports watch
- Black box
- Bluetooth accessory
- Navigation



Specifications

FUNCTION: momentary action
 CONTACT ARRANGEMENT: 1 make contact = SPST N.O.
 TERMINALS: SMT termination
 TRAVEL: 0.2 mm ± 0.1 mm
 LIFE: 50,000 cycles

Electrical

MAXIMUM VOLTAGE: 12 VDC
 MAXIMUM CURRENT DC: 50 mA
 CONTACT RESISTANCE: 500 mΩ
 INSULATION RESISTANCE: 100 MΩ min.

Environmental

OPERATING TEMPERATURE: -40°C to 85°C
 STORAGE TEMPERATURE: -30°C to 85°C

Process

SOLDERING: This component is suited to the following methods:
 Infrared Reflow Soldering in accordance with IEC61760-1

Packaging

2,000 pieces per reel

NOTE:

- The PTS series is not certified for using in Automotive application and no PPAP. However, in the case of some automotive accessories and specific applications for 2 and 3 wheeled vehicles the PTS is widely used and very suitable. Please contact your local C&K representative to discuss your application and the best switch solution.

How To Order

Please see chart below for full part numbers.

Type	Actuation Force (gf)	Stem Colour	Remark
PTS850VM18PSMTR LFS	180 + 80/- 40	Black	With Boss
PTS850VR18PSMTR LFS	350 ± 80	Natural	With Boss
PTS850VM18SMTR LFS	180 + 80/- 40	Black	Without Boss
PTS850VR18SMTR LFS	350 ± 80	Natural	Without Boss

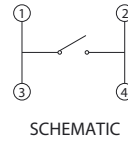
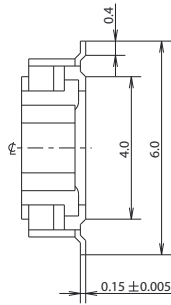
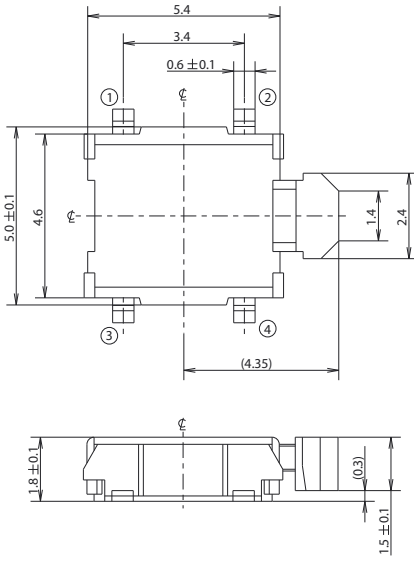
PTS850 Series 5.4x5mm SMT Side Actuated Tact

NEW

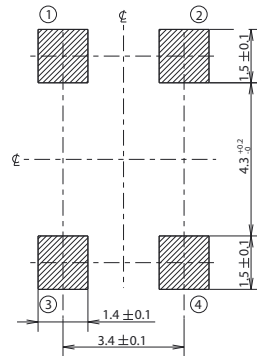
WITHOUT BOSS

Tactile Switches

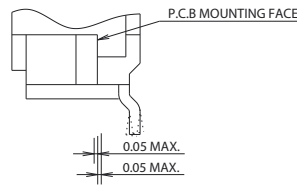
B



P.C.B. LAYOUT

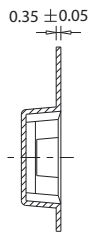


HATCHED AREA SHOWS SOLDERING LAND

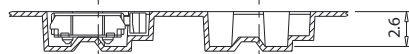
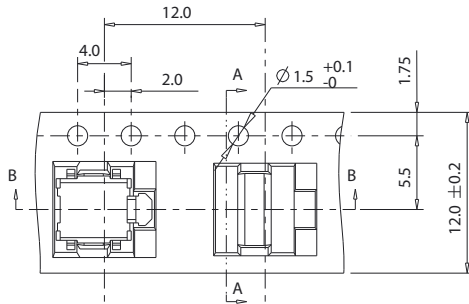


TAPE & REEL

CARRIER TAPE



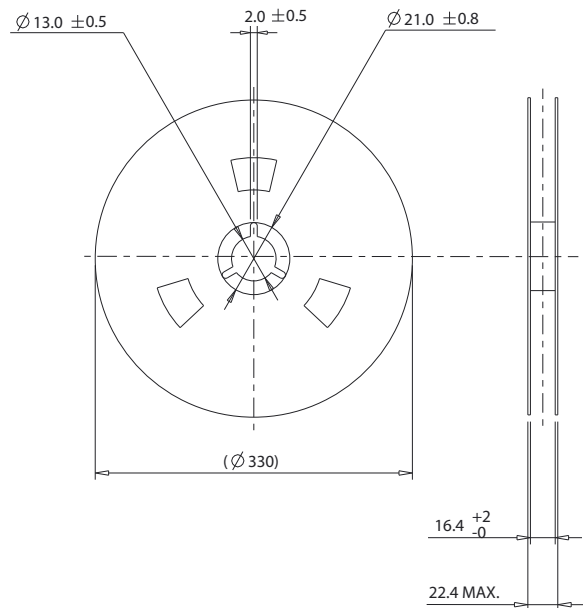
SECTION A-A



SECTION B-B

DRAWING DIRECTION →

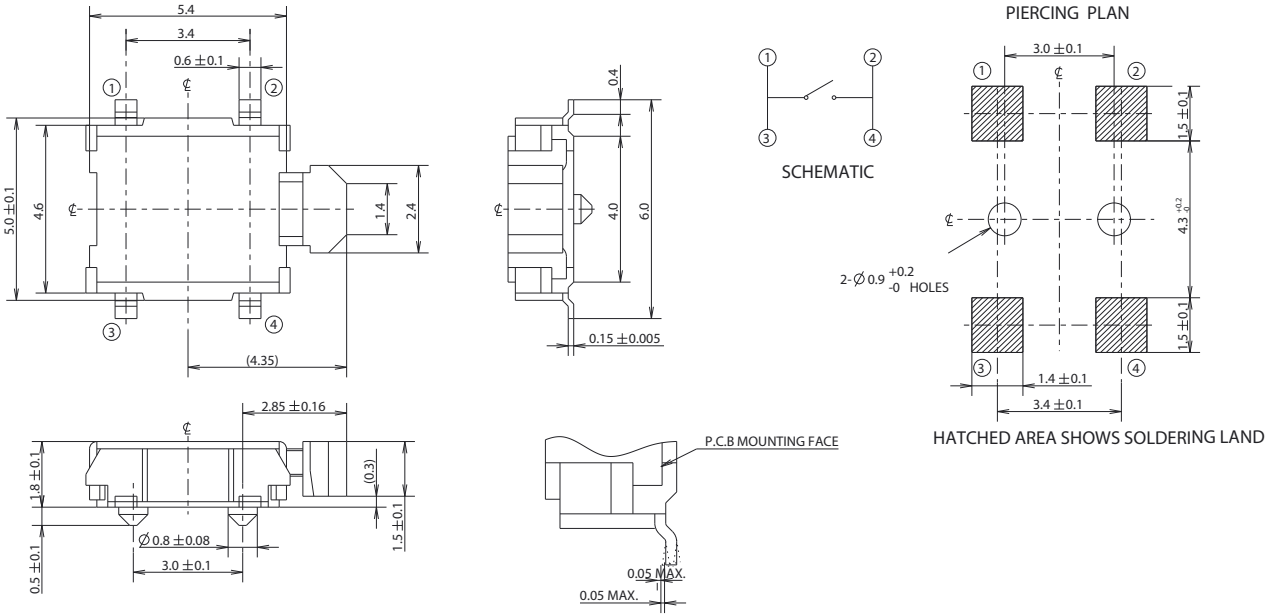
REEL



NEW

PTS850 Series 5.4x5mm SMT Side Actuated Tact

WITH BOSS



B Tactile Switches

TAPE & REEL

