

# Product Change Notification

PCN23-13-Dimension tolerance update for MM series

---

**C&K**

Office 1007-8, 10/F, Harcourt House, 39 Gloucester Road, Wanchai, Hong Kong  
Tel: +852 3713 5288      [www.ckswitches.com](http://www.ckswitches.com)

Document subject to change without prior notice

## Document revision

Revision	Date	Description	Author
A	10 <sup>th</sup> Aug 2023	Dimension tolerance update for MM series	Tony Li

---

**C&K**

Office 1007-8, 10/F, Harcourt House, 39 Gloucester Road, Wanchai, Hong Kong  
Tel: +852 3713 5288      [www.ckswitches.com](http://www.ckswitches.com)

Document subject to change without prior notice

## Summary

1. Purpose .....	4
2. Overview .....	4
3. Impact of Change .....	4
4. Part References affected .....	5
5. Date of application .....	4
6. Conditions of application .....	5
7. Support .....	5

---

**C&K**

Office 1007-8, 10/F, Harcourt House, 39 Gloucester Road, Wanchai, Hong Kong  
Tel: +852 3713 5288      [www.ckswitches.com](http://www.ckswitches.com)

Document subject to change without prior notice

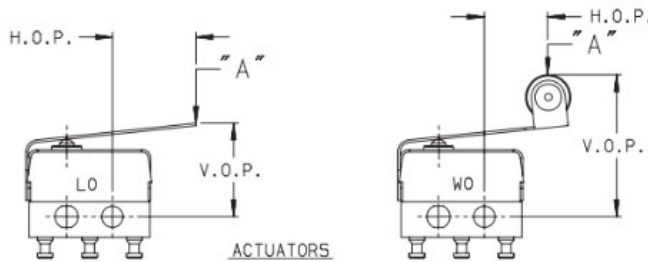
**1. Purpose**

Update the catalogue tolerance of OP dimension for MM series snap

**2. Overview**

Current catalogue tolerance of OP dimension for L0 actuator is +/- 0.015 which is over-quality design, so we relax it to +/-0.075

SW TYPE	H.O.P.	V.O.P. <b>075</b>	OPER FORCE MAX	RELEASE FORCE MIN	DIFF MOT MAX (REF)	PRETRAVEL MAX (REF)	OVERTRAVEL MIN (REF)
L0	0.340±.015 (8,64±0,38)	0.330±. <b>075</b> (8,38±0,38)	4 OZ	0.7 OZ	0.025 IN. (0,64 mm)	0.090 IN. (2,29 mm)	0.045 IN. (1,14 mm)
W0	0.270±.015 (6,86±0,38)	0.532±.025 (13,51±0,38)	4 OZ	0.7 OZ	0.025 IN. (0,64 mm)	0.090 IN. (2,29 mm)	0.045 IN. (1,14 mm)



**3. Impact of Change and Qualification**

**3.1 Impact of Change**

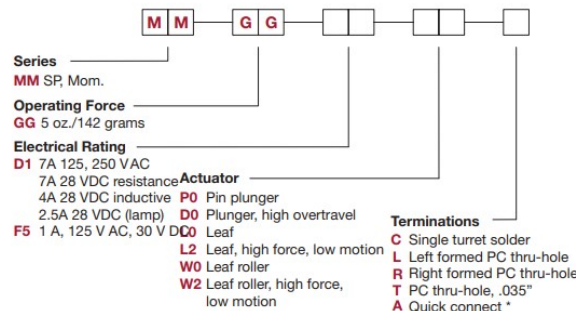
There will be no change to the form, fit and function of the switch just update the tolerance

**3.2 Qualification**

No need to do the qualification since there will be no change to the form, fit and function of the switch

**4. Part References affected**

The catalogue tolerance change is for L0 actuator of MM series



\* Only available in Electrical Rating D1 and Actuator P0

**5. Date of application**

Implementation date: soon after customer's approval.

**C&K**

Office 1007-8, 10/F, Harcourt House, 39 Gloucester Road, Wanchai, Hong Kong  
 Tel: +852 3713 5288 www.ckswitches.com

Document subject to change without prior notice

**6. Conditions of application**

For the customers who buy the MM series snap switches from C&K, we kindly ask you to acknowledge this information to your Sales Representative.

**7. Support**

For any question, please contact your C&K sales representative.

---

**C&K**

Office 1007-8, 10/F, Harcourt House, 39 Gloucester Road, Wanchai, Hong Kong  
Tel: +852 3713 5288      [www.ckswitches.com](http://www.ckswitches.com)

Document subject to change without prior notice