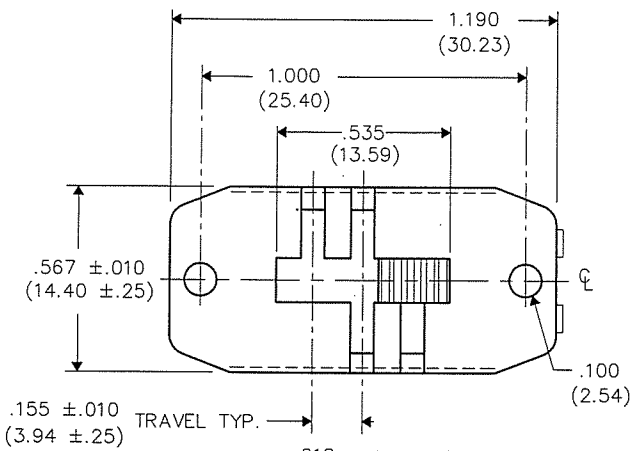
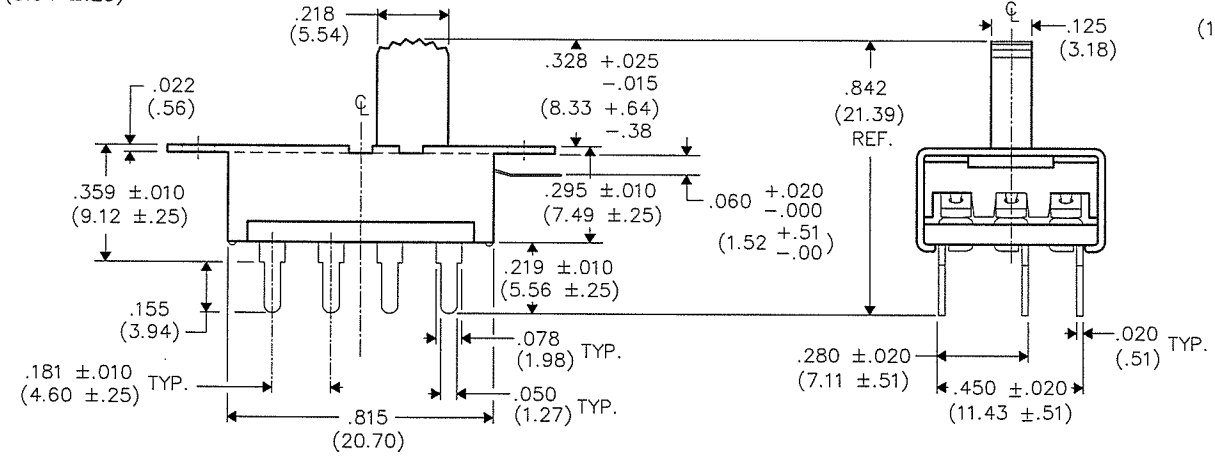
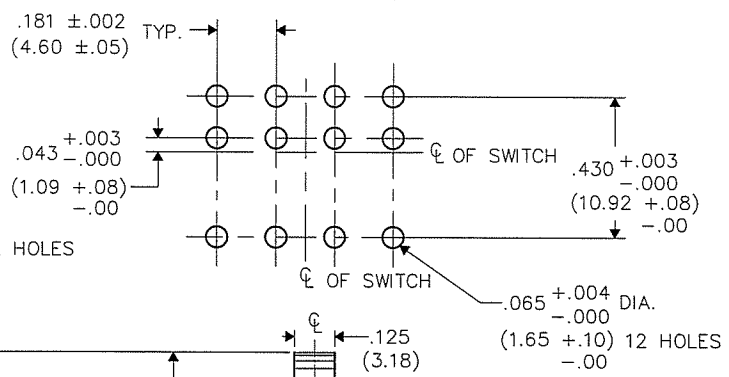


F
 D
 C
 B
 A

DIMENSIONS IN INCHES (MILLIMETERS)
 DO NOT SCALE DRAWING
 Dwg. No. **G-168L-0016**



P.C. LAYOUT



1 2 3 4 5 6 7 8 9 10

B-FORMAT 2002
REVISIONS
 0
 RELEASED
 DOW 5-17-17
 [Signature]

CW INDUSTRIES
 Southampton, Pa. 18966
TOLERANCES UNLESS OTHERWISE SPECIFIED
 2 Place Decimal ±.010 METRIC
 3 Place Decimal ±.005 1 Place Dec. ±.25mm
 Angles ±1° 2 Place Dec. ±.13mm
 Made for: CW IND.
 Drawn by: DGW 5-17-17
 Checked by: G. GULD 5-18-17
 Approval: [Signature] 5-18-17

Title: **MINIATURE SLIDE SWITCH ASSEMBLY 3 POLE / 3POS.**
 Division: **SWITCH**
 Dwg. No. **G-168L-0016**