



Mounting Clips for T-1 (3mm) & T-1^{3/4} (5mm) LEDs

DESCRIPTION AND FEATURES

1

SERIES 4303MC

• This attractive and economical mounting clip installs quickly and provides secure mounting for T-1 high dome LEDs such as 4303F Series.

Material: Black polypropylene

Mounting Hole: .18 (.46) min. dia. in panels up to .13 (3.2) thick.

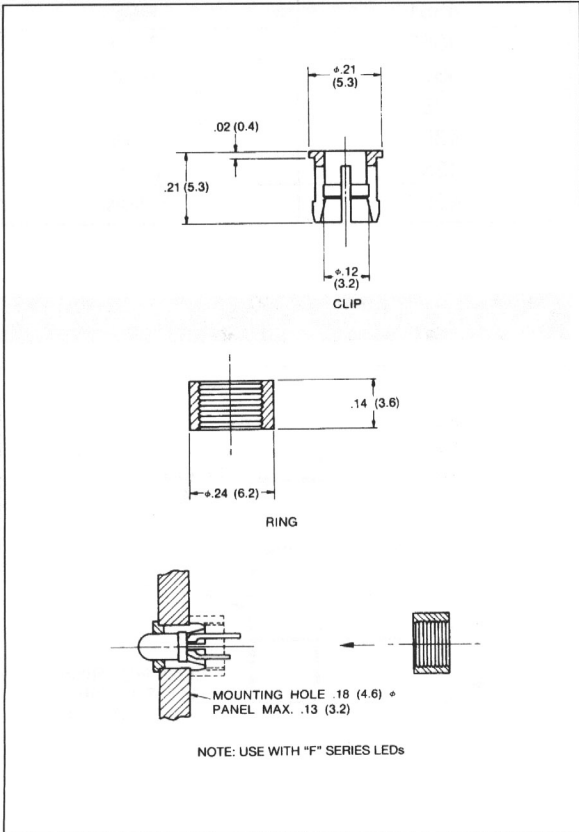
SERIES 4304MC

• This attractive and economical mounting clip installs quickly and provides secure mounting for T-1 3/4 high dome LEDs such as 4301H, 4304H, 4305H or 4308H Series.

Material: Black polypropylene

Mounting Hole: .250 (6.35) min. dia. in panels up to .125 (3.18) thick.

OUTLINE DIMENSIONS



OUTLINE DIMENSIONS

