

Type OTB DC/AC Dual Rated Capacitors

Protected, High Voltage, Paper-Film/Foil Capacitors for AC & DC Applications



Type OTB is a capacitor with a robust construction consisting of a paper or a combination of paper and film dielectric system with foil electrodes, and is protected by a pressure sensitive interrupter. The OTB is UL and CSA recognized and may be used for all normal DC blocking, filtering and bypass applications as well as AC motor-run and other 60 Hz applications. Type OTB is supplied in an oval metal case with easy to use solder lug terminals positioned in plastic insulator cups.

Highlights

- ◆ Protected: Pressure sensitive interrupter
- ◆ Listed un UL* File No. E56959
- ◆ CSA* Certified file No. LR075387
- ◆ Good for DC and 60 Hz AC applications

*UL/CSA listings are only up to 1500 Vdc/660 Vac

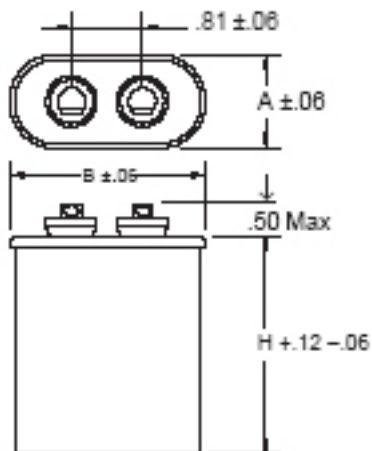
Specifications

Capacitance Range: 0.1 μ F to 35.0 μ F
Voltage Range: 400 Vdc / 236 Vac 600 Vdc / 330 Vac
1000 Vdc / 440 Vac 1500 Vdc / 660 Vac
2000 Vdc / 700 Vac 2500 Vdc / 800 Vac
3000 Vdc / 950 Vac

Capacitance Tolerance: $\pm 10\%$
Temperature Range: $-55\text{ }^{\circ}\text{C}$ to $85\text{ }^{\circ}\text{C}$

Outline Drawing

See page 5.000 for mounting hardware.



Type OTB DC/AC Dual Rated Capacitors

Ratings

Cap (μ F)	Catalog Part Number	A (Inches)	B (Inches)	H (Inches)
400 Vdc (236 Vac) - Paper Dielectric				
3.0	OTBE305KNPIR	1.31	2.16	2.13
4.0	OTBE405KNPIR	1.31	2.16	2.38
5.0	OTBE505KNPIR	1.31	2.16	2.63
6.0	OTBE605KNPIR	1.31	2.16	2.88
8.0	OTBE805KNPIR	1.31	2.16	3.88
10.0	OTBE106KNPIR	1.31	2.16	4.75
12.0	OTBE126KNPIR	1.91	2.91	3.13
15.0	OTBE156KNPIR	1.91	2.91	3.50
20.0	OTBE206KNPIR	1.91	2.91	4.75
25.0	OTBE256KNPIR	1.91	2.91	5.75
30.0	OTBE306KNPIR	1.91	2.91	6.75
600 Vdc (330 Vac) - Paper Dielectric				
.50	OTBF504KNPIR	1.31	2.16	2.13
1.0	OTBF105KNPIR	1.31	2.16	2.13
2.0	OTBF205KNPIR	1.31	2.16	2.13
3.0	OTBF305KNPIR	1.31	2.16	2.38
4.0	OTBF405KNPIR	1.31	2.16	2.63
5.0	OTBF505KNPIR	1.31	2.16	3.13
6.0	OTBF605KNPIR	1.31	2.16	3.88
8.0	OTBF805KNPIR	1.31	2.16	4.75
10.0	OTBF106KNPIR	1.91	2.91	3.13
12.0	OTBF126KNPIR	1.91	2.91	3.88
15.0	OTBF156KNPIR	1.91	2.91	4.25
20.0	OTBF206KNPIR	1.91	2.91	5.75
25.0	OTBF256KNPIR	1.91	2.91	6.75
30.0	OTBF306KNPIR	1.97	3.66	6.25
35.0	OTBF356KNPIR	1.97	3.66	7.25
1000 Vdc (440 Vac) - Paper Dielectric				
.10	OTBG104KNPIR	1.31	2.16	2.13
.25	OTBG254KNPIR	1.31	2.16	2.13
.50	OTBG504KNPIR	1.31	2.16	2.13
1.0	OTBG105KNPIR	1.31	2.16	2.13
2.0	OTBG205KNPIR	1.31	2.16	2.63
3.0	OTBG305KNPIR	1.31	2.16	3.13
4.0	OTBG405KNPIR	1.31	2.16	4.25
5.0	OTBG505KNPIR	1.31	2.16	4.75
6.0	OTBG605KNPIR	1.91	2.91	3.13
8.0	OTBG805KNPIR	1.91	2.91	4.25
10.0	OTBG106KNPIR	1.91	2.91	4.75
12.0	OTBG126KNPIR	1.91	2.91	5.75
15.0	OTBG156KNPIR	1.91	2.91	7.25
20.0	OTBG206KNPIR	1.97	3.66	7.25
25.0	OTBG256KNPIR	1.97	3.66	9.00

Cap (μ F)	Catalog Part Number	A (Inches)	B (Inches)	H (Inches)
1500 Vdc (660 Vac) - Film/Paper Dielectric				
.50	OTBH504KNPIR	1.31	2.16	2.13
1.0	OTBH105KNPIR	1.31	2.16	2.13
2.0	OTBH205KNPIR	1.31	2.16	3.13
3.0	OTBH305KNPIR	1.31	2.16	4.25
4.0	OTBH405KNPIR	1.91	2.91	3.13
5.0	OTBH505KNPIR	1.91	2.91	3.50
6.0	OTBH605KNPIR	1.91	2.91	4.25
8.0	OTBH805KNPIR	1.91	2.91	5.25
10.0	OTBH106KNPIR	1.97	3.66	5.25
12.0	OTBH126KNPIR	1.97	3.66	5.75
15.0	OTBH156KNPIR	1.97	3.66	6.75
2000 Vdc (700 Vac) - Film/Paper Dielectric				
.10	OTBJ104KNPIR	1.31	2.16	2.13
.25	OTBJ254KNPIR	1.31	2.16	2.13
.50	OTBJ504KNPIR	1.31	2.16	2.13
1.0	OTBJ105KNPIR	1.31	2.16	2.63
2.0	OTBJ205KNPIR	1.31	2.16	4.25
3.0	OTBJ305KNPIR	1.91	2.91	3.50
4.0	OTBJ405KNPIR	1.91	2.91	4.25
5.0	OTBJ505KNPIR	1.91	2.91	4.75
6.0	OTBJ605KNPIR	1.91	2.91	5.75
8.0	OTBJ805KNPIR	1.97	3.66	5.75
10.0	OTBJ106KNPIR	1.97	3.66	6.75
2500 Vdc (800 Vac) - Film/Paper Dielectric				
.50	OTBK504KNPIR	1.31	2.16	2.13
1.0	OTBK105KNPIR	1.91	2.91	2.88
2.0	OTBK205KNPIR	1.91	2.91	3.13
3.0	OTBK305KNPIR	1.91	2.91	4.25
4.0	OTBK405KNPIR	1.91	2.91	5.75
5.0	OTBK505KNPIR	1.91	2.91	6.75
6.0	OTBK605KNPIR	1.97	3.66	5.75
7.0	OTBK705KNPIR	1.97	3.66	6.75
8.0	OTBK805KNPIR	1.97	3.66	7.25
3000 Vdc (950 Vac) - Film/Paper Dielectric				
.10	OTBL104KNPIR	1.31	2.16	2.13
.25	OTBL254KNPIR	1.31	2.16	2.13
.50	OTBL504KNPIR	1.91	2.91	2.88
1.0	OTBL105KNPIR	1.91	2.91	2.88
2.0	OTBL205KNPIR	1.91	2.91	4.25
3.0	OTBL305KNPIR	1.91	2.91	5.75
4.0	OTBL405KNPIR	1.97	3.66	5.75
5.0	OTBL505KNPIR	1.97	3.66	6.75