

December 1, 2015

Dear Customer

**Change to MLP Flatpack series mounting tab bracket**

This notice is to inform our customers of a change to our MLP Flatpack series mounting tab bracket.

Since introducing this series roughly 20 years ago, we have offered a welded mounting tab flange as a standard option. To improve the efficiency of our manufacturing methods, we have recently developed, and thoroughly tested, MLP Flatpack capacitors made with a tab that is drawn and stamped into the case. We have several large military/aerospace contractors who are already using this new tab construction.

The integrated tab will be adopted as our standard mounting tab option for our MLP series. From a dimensional standpoint, the new tab fits within the same footprint as the welded tab, and has the same mounting-hole size and location as the welded tab. The integrated tab has a radius rather than square edges and, while it appears different, fits into the footprint of the rectangular welded tab.

Starting April 1<sup>st</sup> 2016, all new orders for standard MLP part numbers with mounting tabs will be manufactured with the integrated tab. There will be no change to the part number.

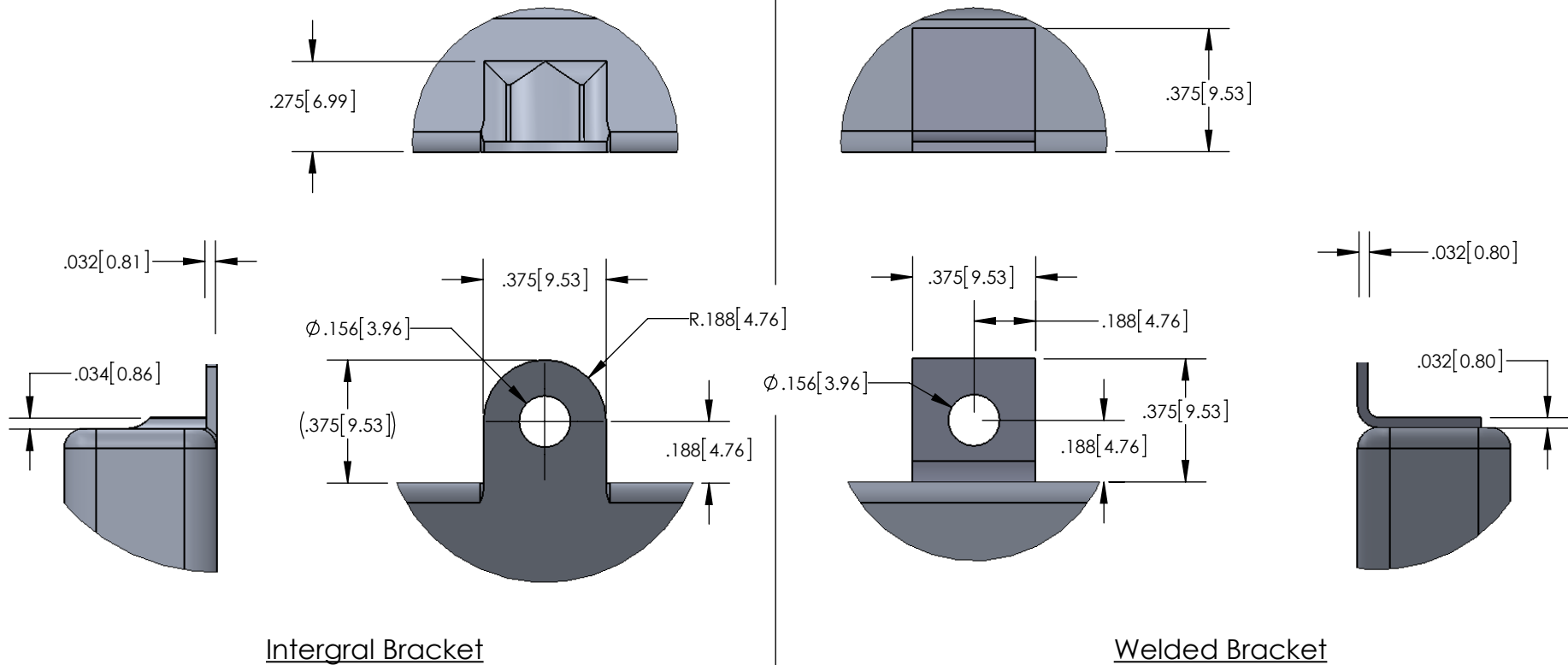
Attached you will find a copy of our case/tab specification, along with a list of purchased parts that will be subjected to this change.

Should you have any questions, please be in contact with your Cornell Dubilier representative.

Sincerely,

Mario DiPietro  
Product Manager – Flatpack Products  
Cornell Dubilier Marketing, Inc.

REVISIONS			
REV.	DESCRIPTION	DATE	APPROVED
01	Original Document	11/13/15	BB



Integral Bracket

Welded Bracket

Tolerances Unless Specified:

FRACTIONAL  $\pm 1/64$   
 ANGULAR:  
 MACH  $\pm .5^\circ$  BEND  $\pm .5^\circ$   
 .XX  $\pm .01$ " ; X  $\pm .25$  mm  
 .XXX  $\pm .005$ " ; XX  $\pm .13$  mm  
 .XXXX  $\pm .0005$ " ; XXX  $\pm .013$  mm

MATERIAL

FINISH

DO NOT SCALE DRAWING

NAME	DATE
Drawn By: Blake B	11/13/15
Checked By: ...	

**PROPRIETARY AND CONFIDENTIAL**  
 THE INFORMATION CONTAINED IN THIS DRAWING IS THE SOLE PROPERTY OF CORNELL DUBILIER. ANY REPRODUCTION IN PART OR AS A WHOLE WITHOUT THE WRITTEN PERMISSION OF CORNELL DUBILIER IS PROHIBITED.



TITLE:

Comparison

SIZE	DWG. NO.	REV
<b>Bracket Comparison</b>		
MILITARY CAGE CODE <b>00853</b>	WEIGHT: 0.02	SHEET 1 OF 1

"**CONTROLLED COPY**" if viewed on CD server or if copy is stamped in **RED**, otherwise considered as an "**UNCONTROLLED COPY**"

**Mfg Part Number**

CDE 834-5103-010  
CDE 834-5103-020  
CDE 834-5103-040  
CDE 834-5103-050  
CDE 834-5103-070  
CDE G661937-3  
CDE MLPD1493  
CDE MLPD1568  
CDE MLPE1363  
CDE MLPE1408  
CDE MLPE1442  
CDE MLPE1486  
CDE MLPE1547  
CDE 834-0524-010  
CDE 834-0524-020  
CDE 834-0524-030  
CDE 834-0524-040  
CDE 834-0524-070  
CDE 834-0524-110  
CDE 834-0524-120  
CDE 834-0524-150  
CDE 834-0524-160  
CDE 834-0524-170  
CDE 834-0524-180  
CDE 834-0524-190  
CDE HRMLP442M050EK0D  
CDE MLP102M200EBOA  
CDE MLP102M200EB0D  
CDE MLP102M200EB1A  
CDE MLP102M200EB1D  
CDE MLP111M450EK0A  
CDE MLP111M450EK0D  
CDE MLP111M450EK1A  
CDE MLP111M450EK1D  
CDE MLP112M100EK0A  
CDE MLP112M100EK0D  
CDE MLP112M100EK1A  
CDE MLP112M100EK1D  
CDE MLP112U100EK1A  
CDE MLP113M050EBOA  
CDE MLP113M050EB0D  
CDE MLP113M050EB1A  
CDE MLP113M050EB1D  
CDE MLP113T050EB1A  
CDE MLP121M400EK1A  
CDE MLP123M025EA0A

CDE MLP123M025EA0D  
CDE MLP123M025EA1A  
CDE MLP123M025EA1D  
CDE MLP131M400EK0A  
CDE MLP131M400EK0D  
CDE MLP131M400EK1A  
CDE MLP131M400EK1D  
CDE MLP131M420EK0A  
CDE MLP131M420EK0D  
CDE MLP131M420EK1A  
CDE MLP131M420EK1D  
CDE MLP132M150EB0A  
CDE MLP132M150EB0D  
CDE MLP132M150EB1A  
CDE MLP132M150EB1D  
CDE MLP133M016EK0A  
CDE MLP133M016EK0D  
CDE MLP133M016EK1A  
CDE MLP133M016EK1D  
CDE MLP143M020EA0A  
CDE MLP143M020EA0D  
CDE MLP143M020EA1A  
CDE MLP143M020EA1D  
CDE MLP143M035EB0A  
CDE MLP143M035EB0D  
CDE MLP143M035EB1A  
CDE MLP143M035EB1D  
CDE MLP151M350EK0A  
CDE MLP151M350EK0D  
CDE MLP151M350EK1A  
CDE MLP151M350EK1D  
CDE MLP152M080EK0A  
CDE MLP152M080EK0D  
CDE MLP152M080EK1A  
CDE MLP152M080EK1D  
CDE MLP162M100EA0A  
CDE MLP162M100EA0D  
CDE MLP162M100EA1A  
CDE MLP162M100EA1D  
CDE MLP171M450EA0A  
CDE MLP171M450EA0D  
CDE MLP171M450EA1A  
CDE MLP171M450EA1D  
CDE MLP173M010EK0A  
CDE MLP173M010EK0D  
CDE MLP173M010EK1A  
CDE MLP173M010EK1D

CDE MLP193M7R5EK0A  
CDE MLP193M7R5EK0D  
CDE MLP193M7R5EK1A  
CDE MLP193M7R5EK1D  
CDE MLP201M400EA0A  
CDE MLP201M400EA0D  
CDE MLP201M400EA1A  
CDE MLP201M400EA1D  
CDE MLP201M420EA0A  
CDE MLP201M420EA0D  
CDE MLP201M420EA1A  
CDE MLP201M420EA1D  
CDE MLP203M025EB0A  
CDE MLP203M025EB0D  
CDE MLP203M025EB1A  
CDE MLP203M025EB1D  
CDE MLP212M080EA0A  
CDE MLP212M080EA0D  
CDE MLP212M080EA1A  
CDE MLP212M080EA1D  
CDE MLP213M016EA0A  
CDE MLP213M016EA0D  
CDE MLP213M016EA1A  
CDE MLP213M016EA1D  
CDE MLP221M300EK0A  
CDE MLP221M300EK0D  
CDE MLP221M300EK1A  
CDE MLP221M300EK1D  
CDE MLP221M350EA0A  
CDE MLP221M350EA0D  
CDE MLP221M350EA1A  
CDE MLP221M350EA1D  
CDE MLP222M063EK0A  
CDE MLP222M063EK0D  
CDE MLP222M063EK1A  
CDE MLP222M063EK1D  
CDE MLP243M020EB0A  
CDE MLP243M020EB0D  
CDE MLP243M020EB1A  
CDE MLP243M020EB1D  
CDE MLP263M010EA0A  
CDE MLP263M010EA0D  
CDE MLP263M010EA1A  
CDE MLP263M010EA1D  
CDE MLP272M100EB0A  
CDE MLP272M100EB0D  
CDE MLP272M100EB1A

CDE MLP272M100EB1D  
CDE MLP281M450EBOA  
CDE MLP281M450EBOD  
CDE MLP281M450EB1A  
CDE MLP281M450EB1D  
CDE MLP283M7R5EA0A  
CDE MLP283M7R5EA0D  
CDE MLP283M7R5EA1A  
CDE MLP283M7R5EA1D  
CDE MLP301M400EB1A  
CDE MLP301M420EBOA  
CDE MLP331M250EK0A  
CDE MLP331M250EK0D  
CDE MLP331M250EK1A  
CDE MLP331M250EK1D  
CDE MLP331M300EA0A  
CDE MLP331M300EA0D  
CDE MLP331M300EA1A  
CDE MLP331M300EA1D  
CDE MLP331M400EBOA  
CDE MLP331M400EBOD  
CDE MLP331M400EB1A  
CDE MLP331M400EB1D  
CDE MLP331M420EBOA  
CDE MLP331M420EBOD  
CDE MLP331M420EB1A  
CDE MLP331M420EB1D  
CDE MLP332M063EA0A  
CDE MLP332M063EA0D  
CDE MLP332M063EA1A  
CDE MLP332M063EA1D  
CDE MLP332M080EBOA  
CDE MLP332M080EBOD  
CDE MLP332M080EB1A  
CDE MLP332M080EB1D  
CDE MLP371M350EBOA  
CDE MLP371M350EBOD  
CDE MLP371M350EB1A  
CDE MLP371M350EB1D  
CDE MLP371T350EB1A  
CDE MLP383M016EBOA  
CDE MLP383M016EBOD  
CDE MLP383M016EB1A  
CDE MLP383M016EB1D  
CDE MLP401M200EK0A  
CDE MLP401M200EK0D  
CDE MLP401M200EK1A

CDE MLP401M200EK1D  
CDE MLP433M010EB0A  
CDE MLP433M010EB0D  
CDE MLP433M010EB1A  
CDE MLP433M010EB1D  
CDE MLP442M050EK0A  
CDE MLP442M050EK0D  
CDE MLP442M050EK1A  
CDE MLP442M050EK1D  
CDE MLP472M075EB0A  
CDE MLP473M7R5EB0A  
CDE MLP473M7R5EB0D  
CDE MLP473M7R5EB1A  
CDE MLP473M7R5EB1D  
CDE MLP491M250EA0A  
CDE MLP491M250EA0D  
CDE MLP491M250EA1A  
CDE MLP491M250EA1D  
CDE MLP501M150EK0A  
CDE MLP501M150EK0D  
CDE MLP501M150EK1A  
CDE MLP501M150EK1D  
CDE MLP561M300EB0A  
CDE MLP561M300EB0D  
CDE MLP561M300EB1A  
CDE MLP561M300EB1D  
CDE MLP562M035EK0A  
CDE MLP562M035EK0D  
CDE MLP562M035EK1A  
CDE MLP562M035EK1D  
CDE MLP562M063EB0A  
CDE MLP562M063EB0D  
CDE MLP562M063EB1A  
CDE MLP562M063EB1D  
CDE MLP601M200EA0A  
CDE MLP601M200EA0D  
CDE MLP601M200EA1A  
CDE MLP601M200EA1D  
CDE MLP662M050EA0A  
CDE MLP662M050EA0D  
CDE MLP662M050EA1A  
CDE MLP662M050EA1D  
CDE MLP771M150EA0A  
CDE MLP771M150EA0D  
CDE MLP771M150EA1A  
CDE MLP771M150EA1D  
CDE MLP802M025EK0A

CDE MLP802M025EK0D  
CDE MLP802M025EK1A  
CDE MLP802M025EK1D  
CDE MLP821M250EB0A  
CDE MLP821M250EB0D  
CDE MLP821M250EB1A  
CDE MLP821M250EB1D  
CDE MLP821T250EB1A  
CDE MLP842M035EA0A  
CDE MLP842M035EA0D  
CDE MLP842M035EA1A  
CDE MLP842M035EA1D  
CDE MLP962M020EK0A  
CDE MLP962M020EK0D  
CDE MLP962M020EK1A  
CDE MLP962M020EK1D