

Features

- Bushing mount
- Excellent resolution
- High rotational life
- Non-standard features and specifications available

6637 - Precision Potentiometer

Electrical Characteristics¹

Standard Resistance Range.....	1 K to 100 K ohms
Total Resistance Tolerance.....	±10 %
Independent Linearity.....	±1 %
Effective Electrical Angle.....	340° ±3°
End Voltage.....	0.5 % maximum
Output Smoothness.....	0.1 % maximum
Dielectric Withstanding Voltage (MIL-STD-202, Method 301)	
Sea Level.....	750 VAC minimum
Power Rating (Voltage Limited By Power Dissipation or 300 VAC, Whichever is Less)	
+70 °C.....	1 watt
+125 °C.....	0 watt
Insulation Resistance (500 VDC).....	1,000 megohms minimum
Resolution.....	Essentially infinite

Environmental Characteristics¹

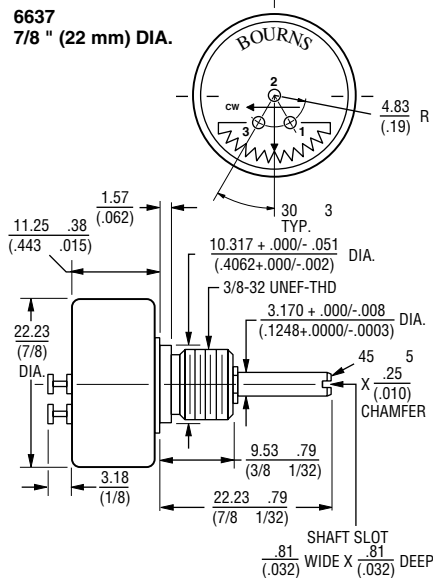
Operating Temperature Range.....	-40 °C to +125 °C
Storage Temperature Range.....	-65 °C to +125 °C
Temperature Coefficient Over Storage Temperature Range.....	±500 ppm/°C maximum
Vibration.....	15 G
Wiper Bounce.....	0.1 millisecond maximum
Total Resistance Shift.....	±5 % maximum
Voltage Ratio Shift.....	±0.5 % maximum
Shock.....	50 G
Wiper Bounce.....	0.1 millisecond maximum
Total Resistance Shift.....	±5 % maximum
Voltage Ratio Shift.....	±0.5 % maximum
Load Life.....	1,000 hours, 1 watt
Total Resistance Shift.....	±10 % maximum
Rotational Life (No Load).....	10,000,000 shaft revolutions
Total Resistance Shift.....	±10 % maximum
Moisture Resistance (MIL-STD-202, Method 106)	
Total Resistance Shift.....	±15 % maximum
IP Rating.....	IP 40

Mechanical Characteristics¹

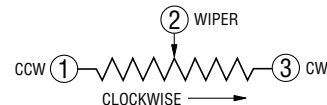
Stop Strength.....	.53 N-cm (75 oz.-in.) min.
Mechanical Angle.....	Continuous
Torque (Starting & Running).....	0.40 N-cm (0.5 oz.-in.) maximum
Mounting.....	170-200 N-cm (15-18 lb.-in.) maximum
Shaft Runout.....	0.025 mm (0.001 in.) T.I.R.
Shaft End Play.....	0.13 mm (0.005 in.) T.I.R.
Shaft Radial Play.....	0.13 mm (0.005 in.) T.I.R.
Backlash.....	0.1° maximum
Weight.....	16 gm
Terminals.....	Rear turret type
Soldering Condition	
Manual Soldering.....	96.5Sn/3.0Ag/0.5Cu solid wire or no-clean rosin cored wire 370 °C (700 °F) max. for 3 seconds
Wave Soldering.....	96.5Sn/3.0Ag/0.5Cu solder with no-clean flux 260 °C (500 °F) max. for 5 seconds
Wash processes.....	Not recommended
Marking.....	Manufacturer's name and part number, resistance value and tolerance, linearity tolerance, wiring diagram, and date code.
Ganging (Multiple Section Potentiometers).....	1 up maximum
Hardware.....	One lockwasher (H-37-2) and one mounting nut (H-38-2) is shipped with each potentiometer.

¹At room ambient: +25 °C nominal and 50 % relative humidity nominal, except as noted.

Product Dimensions



NOTE: SHAFT SUPPORTED BY FRONT SLEEVE BEARING.



Recommended Part Numbers

Part Number	Resistance (Ω)
6637S-1-102	1,000
6637S-1-502	5,000
6637S-1-103	10,000

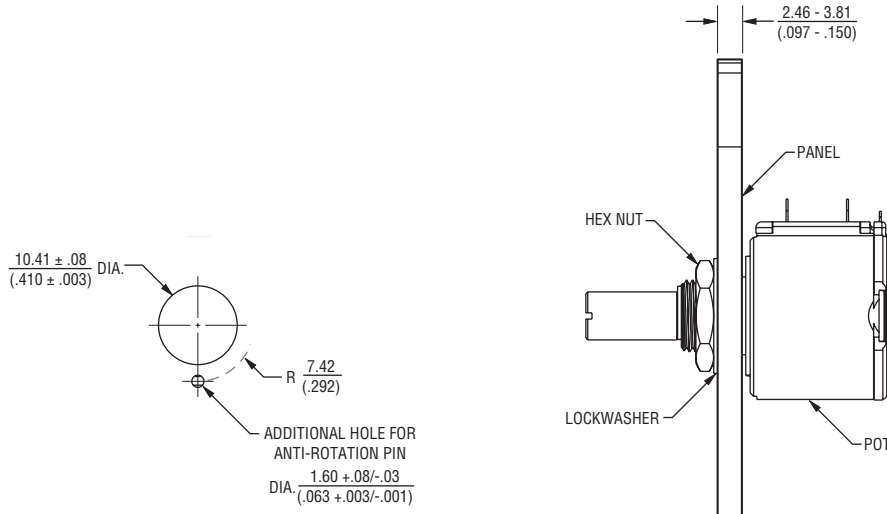
BOLDFACE LISTINGS ARE IN STOCK AND READILY AVAILABLE THROUGH DISTRIBUTION.

FOR SERVO MOUNT VERSION AND OTHER OPTIONS CONSULT FACTORY.

6637 - Precision Potentiometer

BOURNS®

Panel Thickness Dimensions



Anti-rotation pin hole is shown at six o'clock position for reference only. The actual location is determined by the customer's application. Refer to the front view of the potentiometer to see the location of the optional A/R pin.

DIMENSIONS: $\frac{\text{MM}}{(\text{INCHES})}$

TOLERANCES: $\pm \frac{0.127}{(.005)}$

REV. 01/11

Specifications are subject to change without notice.
Customers should verify actual device performance in their specific applications