

## Product Change Notification

### ENCODERS

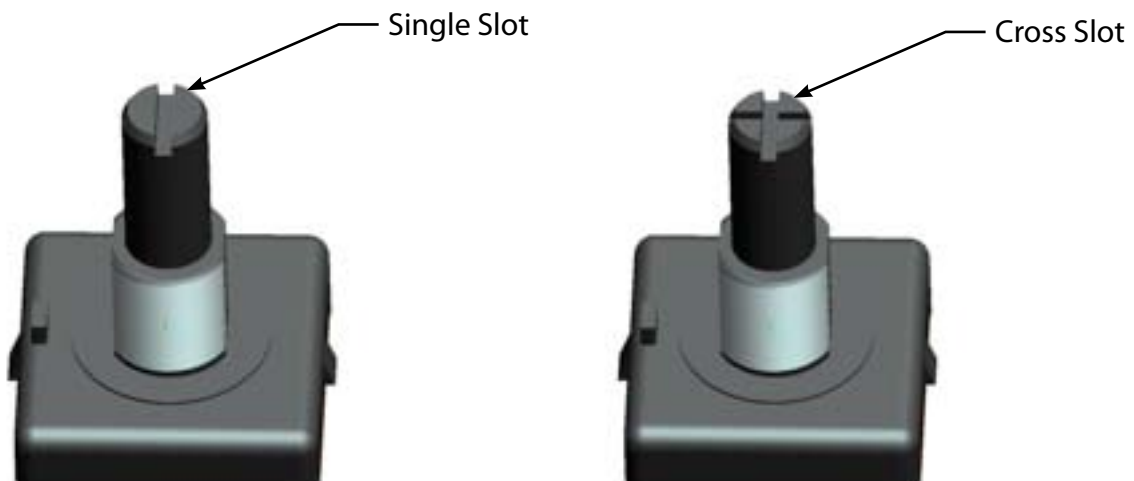


October, 2012

### **Bourns Sensors & Controls Product Line Introduces Model ECW Product Enhancement**

In line with our commitment to product excellence and continuous improvement, the Bourns Sensors & Controls Product Line is pleased to introduce a product enhancement to the [Model ECW Rotary Contacting Encoder](#).

The Model ECW contacting encoder offers two types of shaft diameters - metric and standard. As an improvement and poke-yoke in our assembly process and to prevent mixing of shaft sizes, a cross slot feature has been added to the metric "R style" shaft in order to easily identify the metric shaft version. This feature is cosmetic only and does not affect fit or function of the part. Form/appearance of the shaft will change from a single slot to a cross slot as shown below.



Implementation dates are as follows:

- Evaluation samples will be available: October 22, 2012
- First date code using above changes: 4812M
- Deliveries of such products will begin: December 7, 2012