



Reliable Electronic Solutions

December, 2002

Bourns Rep District Sales Managers
Bourns Rep Distributor Managers
Corporate Distributor Product Managers
Bourns Sales Partners in Europe
Bourns Asia Pacific Sales
Bourns Latin America Sales
Bourns Internal



Product Improvement - Model 3313 Single-Turn SMD Trimmer

Bourns® Trimpot® is proud to introduce an improved version of the popular Model 3313. The product improvements are as follows:

- Internal lead attachment method changed from a solder process to a resistance reflow braze
- Lead-free solderable leads
- Capable of withstanding lead-free soldering temperatures (260 °C)
- Housing color, from brown to natural – light beige

The Bourns® Trimpot® product line has succeeded in replacing the solder with a lead-free product without affecting the overall performance or quality of the device. Minor dimensional changes to the product are outlined in the model comparison on the next page. The electrical and environmental characteristics are identical.

The newly modified 3313 has been fully tested and qualified. Shipment will begin the first week of January 2003, however there is a possibility that both styles could be shipped during the transition. Qualification data, as well as samples are available upon request.

For further information, please contact the following:

AMERICAS:

Emill MellizTel: 909-781-5308Fax: 909-781-5006.....e-mail: emill_melliz@bourns.com

EUROPE:

Markus Bundschu.....Tel: +353-21-4515-242 ..Fax: +353-21-4515-292 ..e-mail: markus_bundschu@bourns.com

ASIA:

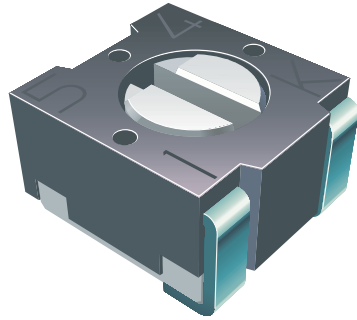
Asia Customer

ServiceTel: +886(0)2-2562-4117

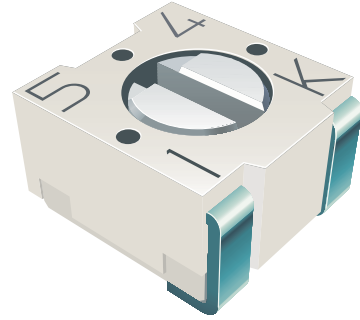
Best Regards,

Emill Melliz
Product Specialist
Bourns Trimmers

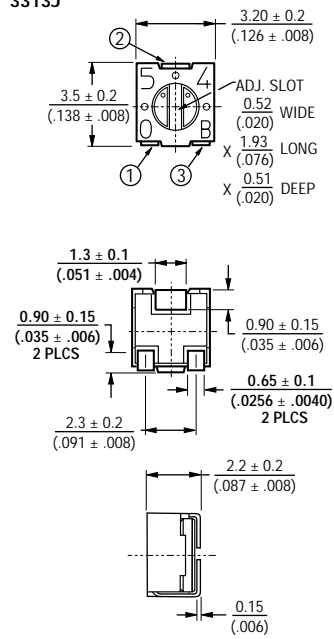
*** CURRENT ***



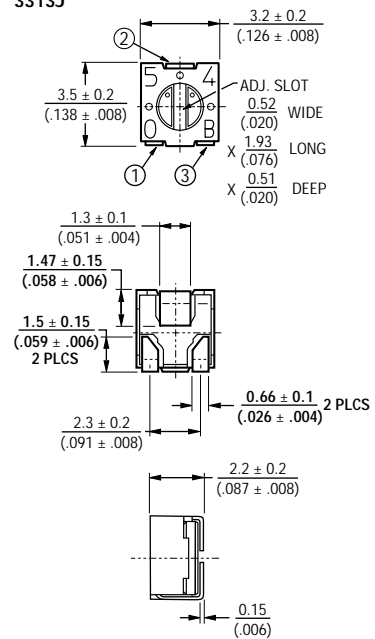
*** NEW *
01/03**



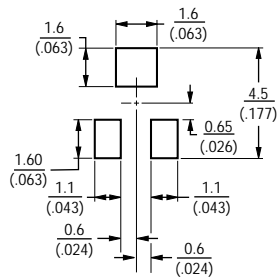
3313J



3313J



RECOMMENDED LAND PATTERN



RECOMMENDED LAND PATTERN

