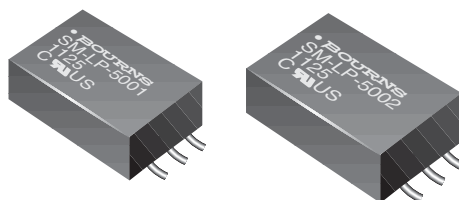


Product Change Notification

TRANSFORMERS



January, 2016

Bourns® Model SM-LP-5001 and SM-LP-5002 Series Surface Mount Line Matching Transformers *Change to Carrier Tape Specifications*

Bourns has decided to change the carrier tape specifications for the Model [SM-LP-5001](#) and [SM-LP-5002](#) Series Surface Mount Line Matching Transformers. The carrier tape has been redesigned to help limit lateral movement of the component to within 1 mm in compliance with the EIA-481-D Standard. The form, fit and function of the transformer will remain the same. Specifications of the carrier tape are provided on the following page.

Affected Part Numbers
SM-LP-5001E
SM-LP-5001MEL
SM-LP5002E
SM-LP5002E-40

Implementation dates are as follows:

*Date that manufacturing of existing packaging will cease: **July 2, 2016***

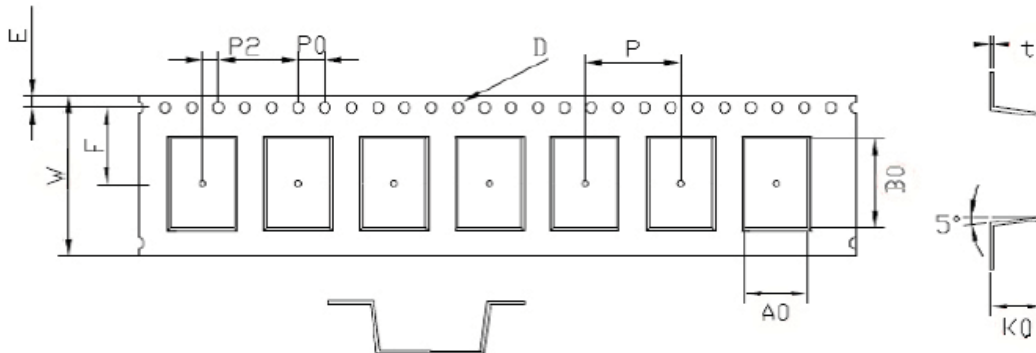
*Date that deliveries of modified packaging will begin: **July 3, 2016***

*First date code using the new packaging: **1628***

If you have any questions or need additional information, please feel free to contact [Customer Service/Inside Sales](#).

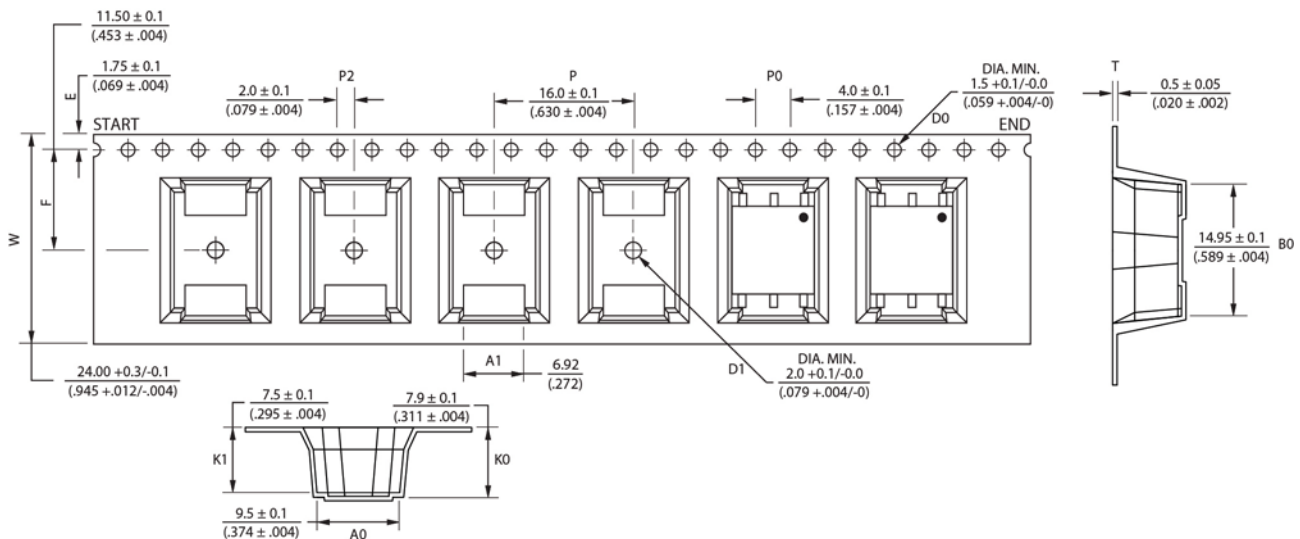
Change to Carrier Tape Specifications

Existing Tape Carrier Dimensions



ITEM	W	A0	B0	K0	P	F	E	D	D1	P0	P2	T
DIM	24.00 ^{+0.30} / _{-0.30}	10.50 ^{+0.10} / _{-0.10}	14.30 ^{+0.10} / _{-0.10}	7.70 ^{+0.10} / _{-0.10}	16.00 ^{+0.10} / _{-0.10}	11.50 ^{+0.10} / _{-0.10}	1.75 ^{+0.10} / _{-0.10}	1.50 ^{+0.10} / _{-0.00}	1.50 ^{+0.10} / _{-0.00}	4.00 ^{+0.10} / _{-0.10}	2.00 ^{+0.10} / _{-0.10}	0.40 ^{+0.05} / _{-0.05}

Modified Tape Carrier Dimensions



ITEM	W	A0	B0	K0	P	F	E	D0	D1	P0	P2	T	A1	K1
DIM	24.00 ^{+0.30} / _{-0.10}	9.50 ^{+0.10} / _{-0.10}	14.95 ^{+0.10} / _{-0.10}	7.90 ^{+0.10} / _{-0.10}	16.00 ^{+0.10} / _{-0.10}	11.50 ^{+0.10} / _{-0.10}	1.75 ^{+0.10} / _{-0.10}	1.50 ^{+0.10} / _{-0.00}	2.00 ^{+0.10} / _{-0.00}	4.00 ^{+0.10} / _{-0.10}	2.00 ^{+0.10} / _{-0.10}	0.50 ^{+0.05} / _{-0.05}	6.92 ^{+0.10} / _{-0.10}	7.50 ^{+0.10} / _{-0.10}

Affected Part Numbers
SM-LP-5001E
SM-LP-5001MEL
SM-LP5002E
SM-LP5002E-40