

Board Level Cooling – Channel 5000



BOARD LEVEL COOLING – Channel 5000

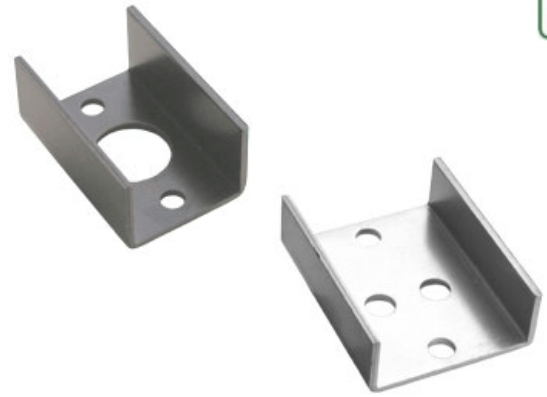
Channel 5000 is a series of channel shaped board level heat sinks designed to cool TO-3 or TO-66 devices. Representative image only.

ORDERING INFORMATION

Part Number	Device Type
516829B00000G	TO-66
520329B00000G	TO-3

HEAT SINK DETAILS

Property	Details
Material	Aluminum
Finish	Black Anodize
Device Attachment Options	Requires Mounting Kit
Thermal Interface Material	-



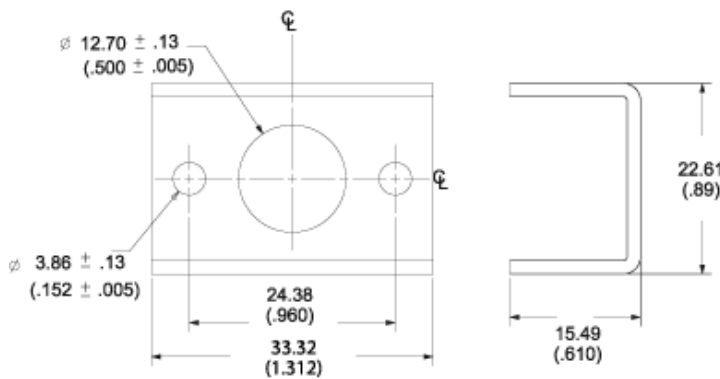
Property	Details
Material	Aluminum
Finish	Black Anodize
Device Attachment Options	Requires Mounting Kit
Thermal Interface Material	-
Heat Sink Mounting Direction	Horizontal, Vertical

MECHANICAL & PERFORMANCE

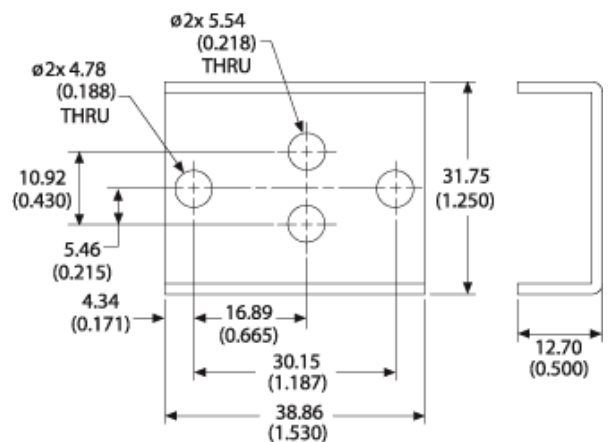
Drawing dimensions are shown in mm, (in)

Part Number	Heat Sink Width	Heat Sink Length	Heat Sink Height
516829B00000G	33.32	22.61	15.49
520329B00000G	31.75	38.86	12.70

Part Number: 516829B00000G



Part Number: 520329B00000G



Board Level Cooling – Channel 5000

