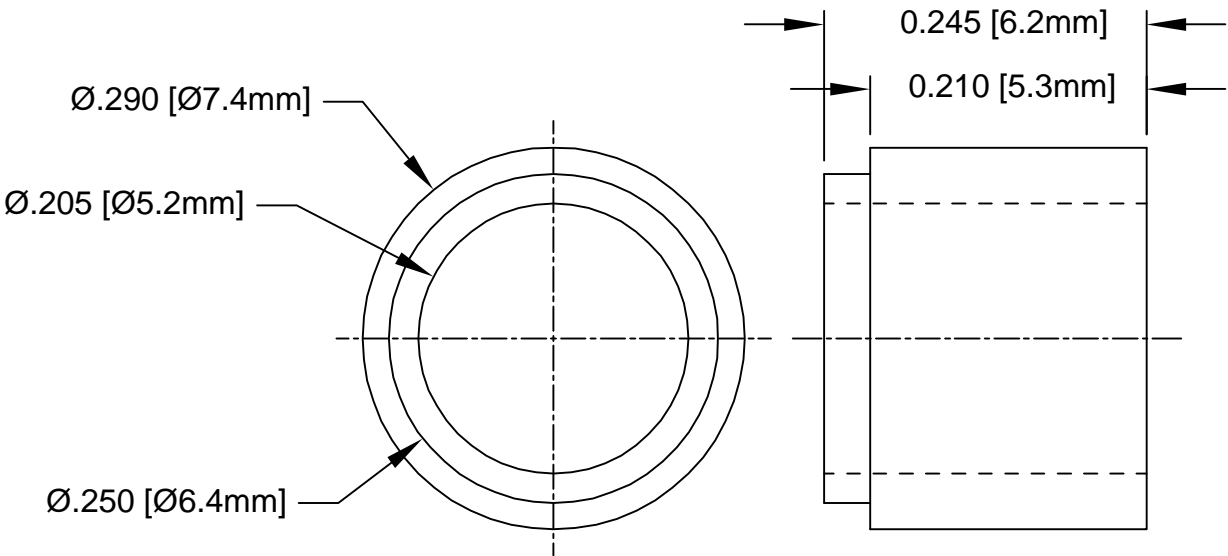


REV.	DESCRIPTION	DATE	APPROVED
C	Engineering Update w/o Changes	02/27/04	M. C.



- 2. MATERIAL: NYLON 6/6, 94V-0, BLACK. BIVAR MATERIAL CODE 22-BK.
RTP POLYAMIDE NYLON 6/6, 0200 FR, BLACK OR MODIFIED PLASTICS MN6/6-SE BK.
- 1. GENERAL SPECIFICATIONS: BIVAR MOLDED COMPONENT SPECIFICATION BV00-E101.

STANDARD TOLERANCE (UNLESS OTHERWISE SPECIFIED) <table style="width: 100%; border: none;"> <tr> <td style="text-align: center; border: none;"><u>DECIMALS</u></td> <td style="text-align: center; border: none;"><u>ANGULAR</u></td> </tr> <tr> <td style="border: none;">.X ± .1</td> <td style="border: none;">X° ± 1°</td> </tr> <tr> <td style="border: none;">.XX ± .01</td> <td></td> </tr> <tr> <td style="border: none;">.XXX ± .005</td> <td></td> </tr> </table>		<u>DECIMALS</u>	<u>ANGULAR</u>	.X ± .1	X° ± 1°	.XX ± .01		.XXX ± .005		BIVAR [®] 4 THOMAS, IRVINE, CA. 92618 TEL: (949) 951-8808 FAX: (949) 951-3974	
<u>DECIMALS</u>	<u>ANGULAR</u>										
.X ± .1	X° ± 1°										
.XX ± .01											
.XXX ± .005											
DESIGNED: Shane Irving		TITLE: T-1¼ (5mm) LIGHT SHIELD									
CHECKED: M. Chen		PART NO: LS-1									
DATE: 05/13/02		REVISION: C									
DATE: 05/13/02		CAGE CODE : 32559 SHEET # 1 OF 1									
CAD GENERATED DOCUMENT, DO NOT MEASURE DRAWING.											