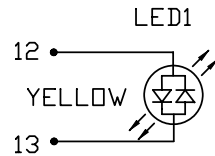


THE INFORMATION CONTAINED HEREIN IS CONSIDERED "PROPRIETARY" TO BEL FUSE INC. AND SHALL NOT BE COPIED, REPRODUCED OR DISCLOSED WITHOUT THE WRITTEN APPROVAL OF BEL FUSE INC.

RoHS



LED1 POLARITY			LED2 POLARITY		
PIN 12	PIN 13	COLOR	PIN 14	PIN 15	COLOR
-	+	GREEN	-	+	GREEN
+	-	YELLOW			



ELECTRICAL CHARACTERISTICS @ 25°C

URNS RATIO 1CT : 1CT ±2%

QCL @ 100kHz/100mVRMS

8mA DC BIAS 350µH MIN.

INSERTION LOSS

100KHz TO 100MHz -1.5 dB MAX.

RETURN LOSS (MIN.)

2MHz-30MHz -16 dB MIN.

60MHz-80MHz -10 dB MIN.

CROSS TALK

100KHz - 100MHz -30 dB MIN.

HIPOT (ISOLATION VOLTAGE)

2250 VDC

100% OF PRODUCTION TESTED TO COMPLY

WITH IEEE 802.3 ISOLATION REQUIREMENTS

BALANCED DC LINE CURRENT

350mA MAX. @ 57 VDC CONTINUOUS

500mA MAX. @ 57 VDC FOR 200 MILLSECONDS

LED 1

VF (FORWARD VOLTAGE)

IF=20mA GREEN 2.2V TYP.

IF=20mA YELLOW 2.1V TYP.

λD (DOMINANT WAVELENGTH)

IF=20mA GREEN 565nm TYP.

IF=20mA YELLOW 590nm TYP.

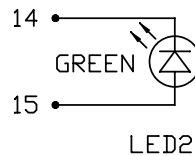
LED 2

VF (FORWARD VOLTAGE)

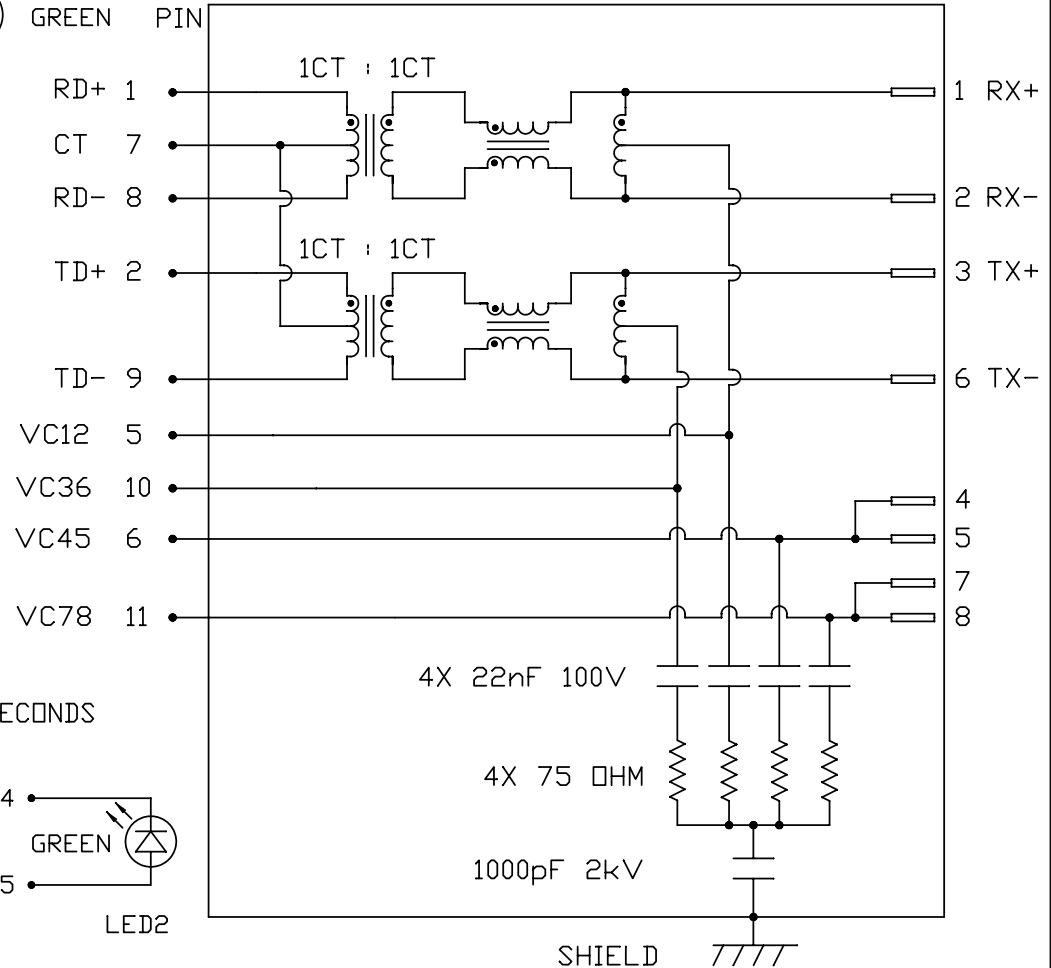
IF=20mA GREEN 2.2V TYP.

λD (DOMINANT WAVELENGTH)

IF=20mA GREEN 565nm TYP.



SCHEMATIC



ORIGINATED BY CHOW WANCHUNG	DATE 2012-09-20
DRAWN BY TAN QIGUANG	DATE 2012-09-20

TITLE 10/100 MagJack® PoE
0826-1L1T-57-F PATENTED

PART NO. / DRAWING NO. 08261L1T57-F
FILE NAME 08261L1T57-F_E.DWG

STANDARD DIM. TOL. IN INCH	
.X	
.XX	
.XXX	

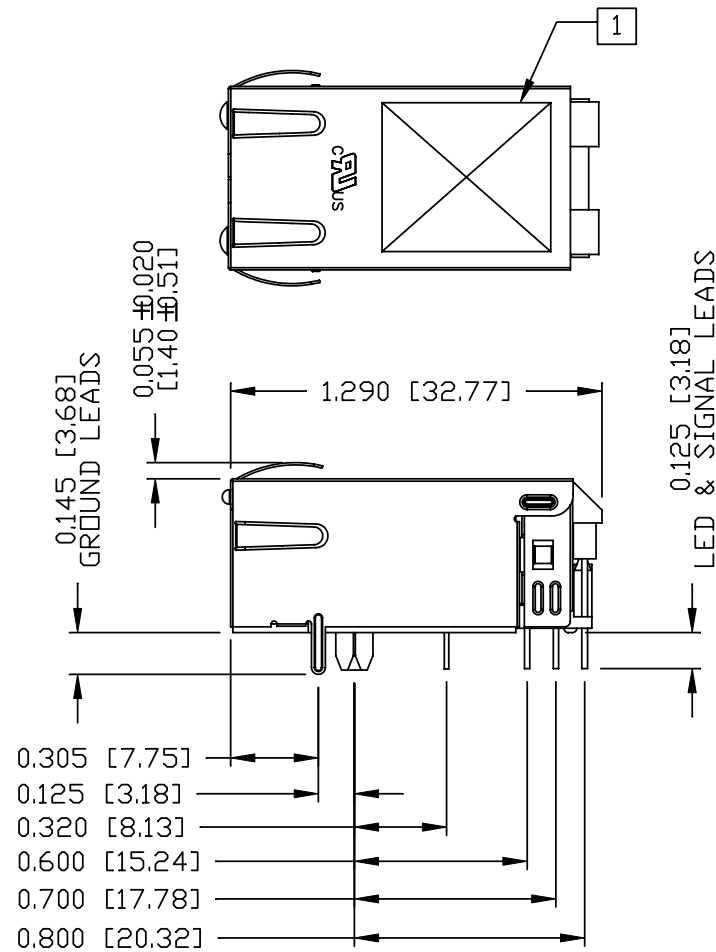
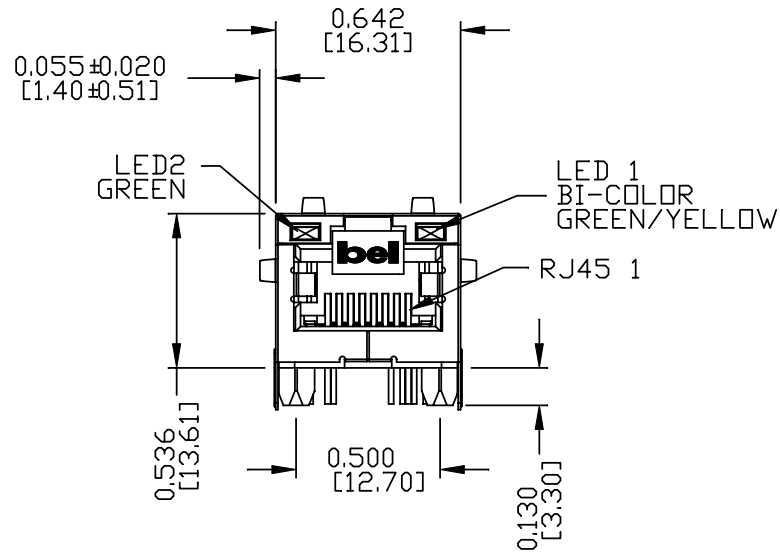
[] METRIC DIM. AS REFERENCE	
UNIT : INCH [mm]	REV. : E
SCALE : N/A	SIZE : A4
PAGE : 2	



THE INFORMATION CONTAINED HEREIN IS CONSIDERED "PROPRIETARY" TO BEL FUSE INC. AND SHALL NOT BE COPIED, REPRODUCED OR DISCLOSED WITHOUT THE WRITTEN APPROVAL OF BEL FUSE INC.

MECHANICAL SPECIFICATION

RoHS



NOTES:

- PLASTIC HOUSING: THERMOPLASTIC PA
FLAMMABILITY RATING UL 94V-0
- CONTACTS: 50 MICRO-INCH HARD GOLD PLATING OR EQUIVALENT.
- OUTPUT PINS: TIN-COATED COPPER WIRE, DIA 0.018 INCH.
- METAL SHIELD: NICKEL PLATED ON COPPER ALLOY.
(ALL GROUND LEADS ARE SOLDER DIPPED)

1] MARK PART WITH MFG LOGO, MFG NAME, PART NUMBER, DATE CODE AND PATENTED.

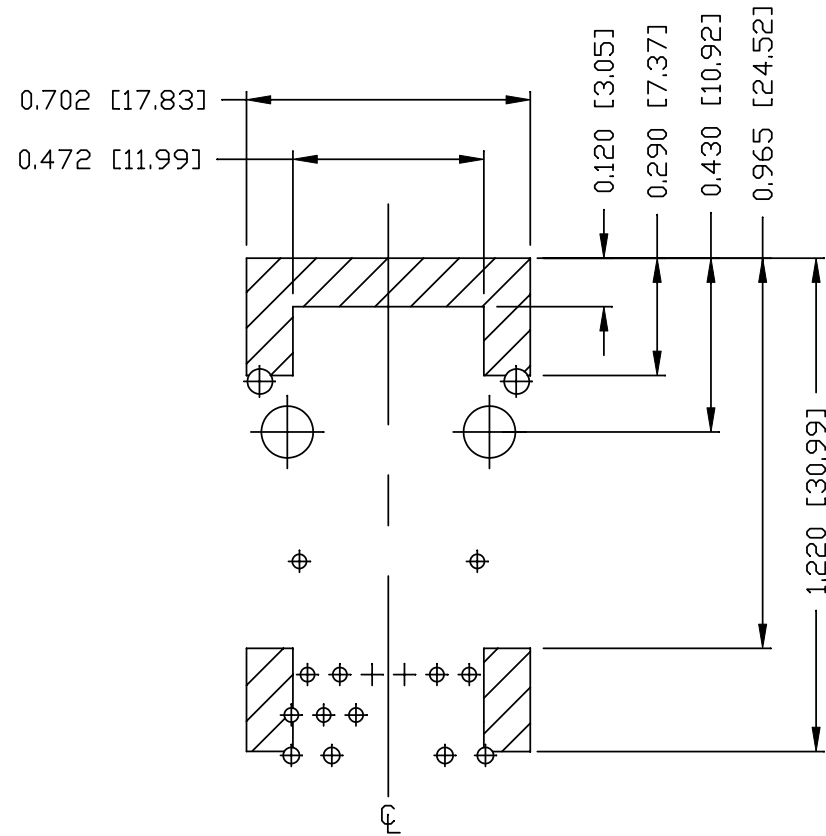
- 1] IS UL RECOGNIZED - FILE #E196366 AND E169987.
- 2. THE PRODUCT IS RoHS COMPLIANT.
- JACK CAVITY CONFORMS TO FCC RULES AND REGULATIONS.
- 3. THE PRODUCT IS PATENTED. THE PATENT NUMBER IS U.S. PAT. 5,736,910.

ORIGINATED BY	DATE	TITLE	PART NO. / DRAWING NO.	STANDARD DIM. TOL. IN INCH	[] METRIC DIM. AS REFERENCE
ANTON LIAO	2012-09-20	10/100 MagJack® PoE	08261L1T57-F	.X	UNIT : INCH [mm] REV. : E
DRAWN BY	DATE	0826-1L1T-57-F PATENTED	FILE NAME	.XX	SCALE : N/A SIZE : A4
HE ZHEN	2012-09-20		08261L1T57-F_E.DWG	.XXX ±0.010	PAGE : 3



THE INFORMATION CONTAINED HEREIN IS CONSIDERED "PROPRIETARY" TO BEL FUSE INC. AND SHALL NOT BE COPIED, REPRODUCED OR DISCLOSED WITHOUT THE WRITTEN APPROVAL OF BEL FUSE INC.

RoHS



NOTES

THE SHADED AREA ON THE CUSTOMER BOARD ARE RECOMMENDED TO BE CLEAR OFF ANY VIA HOLE OR COMPONENT PAD.

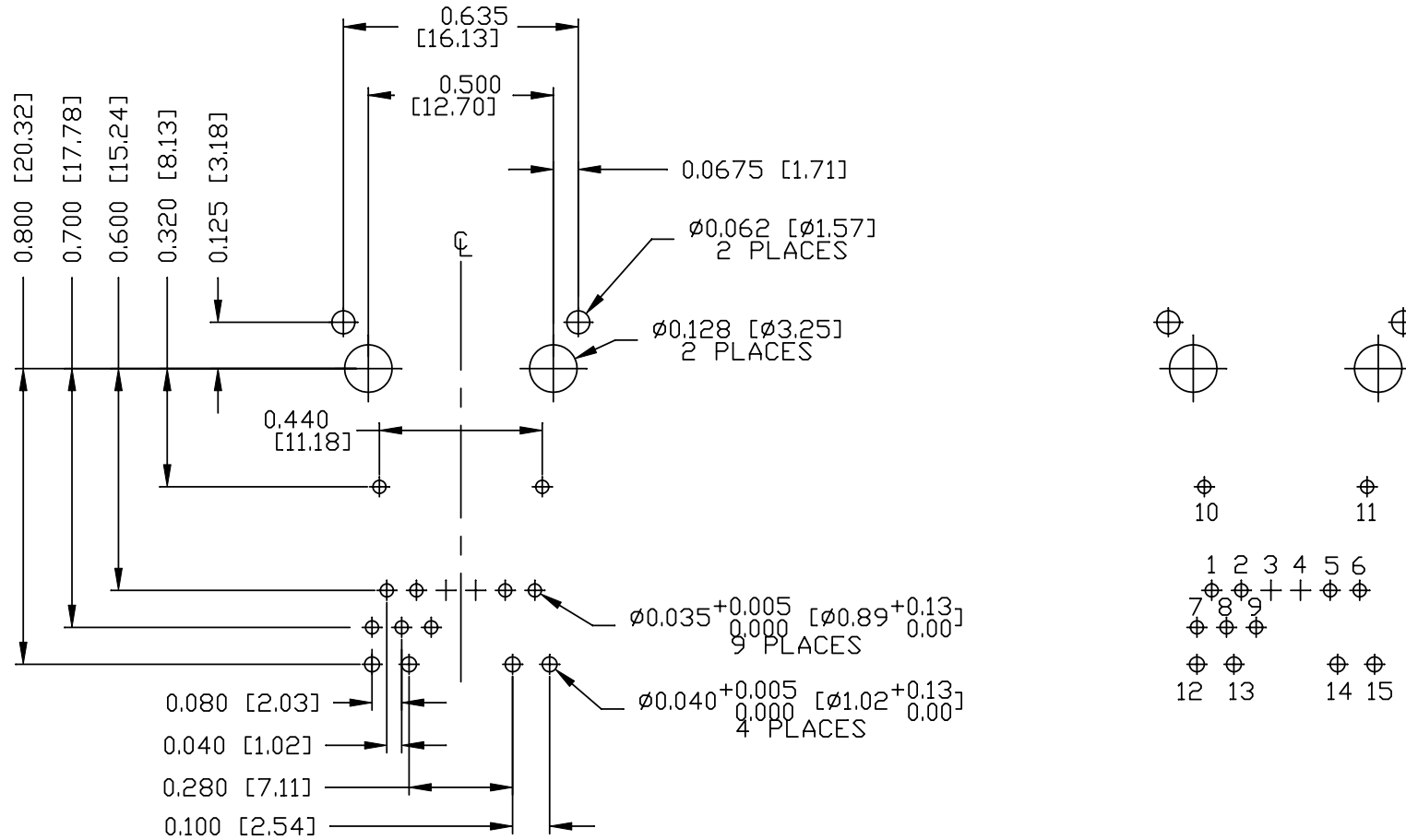
ORIGINATED BY ANTON LIAO	DATE 2012-09-20	TITLE 10/100 MagJack® PoE	PART NO. / DRAWING NO. 08261L1T57-F	STANDARD DIM. TOL. IN INCH		[] METRIC DIM. AS REFERENCE		 COMPONENTS FOR A CONNECTED PLANET
				.X		UNIT : INCH [mm]	REV. : E	
DRAWN BY HE ZHEN	DATE 2012-09-20	TITLE 0826-1L1T-57-F PATENTED	FILE NAME 08261L1T57-F_E.DWG	.XX		SCALE : N/A	SIZE : A4	PAGE : 4
				.XXX	±0.004			

THE INFORMATION CONTAINED HEREIN IS CONSIDERED "PROPRIETARY" TO BEL FUSE INC. AND SHALL NOT BE COPIED, REPRODUCED OR DISCLOSED WITHOUT THE WRITTEN APPROVAL OF BEL FUSE INC.

RoHS



RECOMMENDED PCB FOOTPRINT
COMPONENT SIDE VIEW



ORIGINATED BY ANTON LIAO	DATE 2012-09-20
DRAWN BY HE ZHEN	DATE 2012-09-20

TITLE 10/100 MagJack® PoE 0826-1L1T-57-F PATENTED

PART NO. / DRAWING NO. 08261L1T57-F
FILE NAME 08261L1T57-F_E.DWG

STANDARD DIM. TOL. IN INCH	
.X	
.XX	
.XXX	±0.004

[] METRIC DIM. AS REFERENCE	REV. : E
UNIT : INCH [mm]	SIZE : A4
SCALE : N/A	PAGE : 5

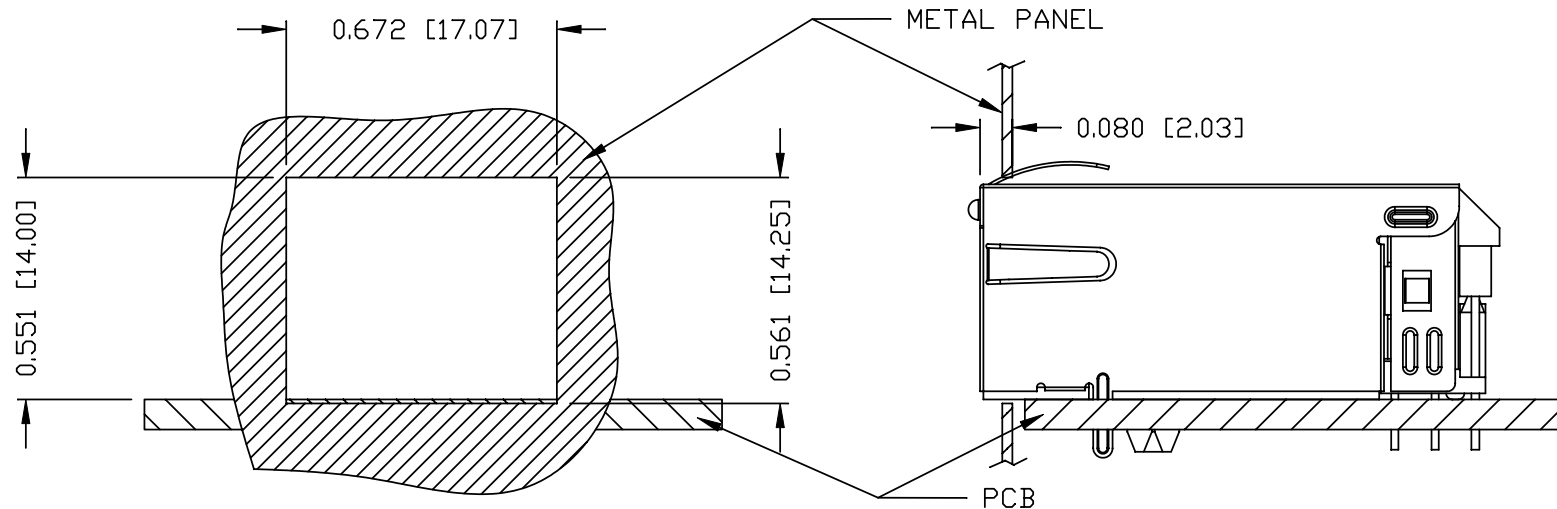


THE INFORMATION CONTAINED HEREIN IS CONSIDERED "PROPRIETARY" TO BEL FUSE INC. AND SHALL NOT BE COPIED, REPRODUCED OR DISCLOSED WITHOUT THE WRITTEN APPROVAL OF BEL FUSE INC.

RoHS



SUGGESTED PANEL OPENING



NOTE:

THE DISTANCE OF PANEL INSIDE SURFACE RELATIVE TO FRONT SURFACE OF PART IS ONLY A SUGGESTION. IN CASE THIS DISTANCE IS DIFFERENT, THE REQUIRED PANEL OPENING DIMENSIONS CHANGE ACCORDINGLY.

PACKING INFORMATION

PACKING TRAY : 0200-9999-F6 (TOP)

0200-9999-F7 (BOTTOM)

PACKING QUANTITY : 40 PCS FINISHED GOODS PER TRAY

10 TRAYS (400 PCS FINISHED GOODS) PER CARTON BOX

NOTE : CARDBOARDS ARE PLACED BETWEEN LAYERS OF PACKING TRAY INSIDE CARTON BOX (INCLUDE THE UPPERMOST AND LOWERMOST TRAY)

ORIGINATED BY ANTON LIAO	DATE 2012-09-20	TITLE 10/100 MagJack® PoE	PART NO. / DRAWING NO. 08261L1T57-F	STANDARD DIM. TOL. IN INCH		[] METRIC DIM. AS REFERENCE		REV. : E	bel
				.X		UNIT : INCH [mm]	SCALE : N/A		
DRAWN BY HE ZHEN	DATE 2012-09-20	0826-1L1T-57-F PATENTED	FILE NAME 08261L1T57-F_E.DWG	.XX		PAGE : 6		SIZE : A4	COMPONENTS FOR A CONNECTED PLANET
				.XXX	±0.004				