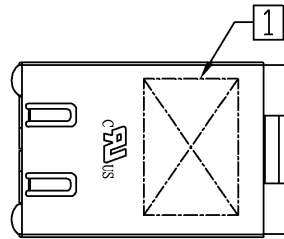


THE INFORMATION CONTAINED HEREIN IS CONSIDERED 'PROPRIETARY' TO BEL FUSE INC. AND SHALL NOT BE COPIED, REPRODUCED OR DISCLOSED WITHOUT THE WRITTEN APPROVAL OF BEL FUSE INC.

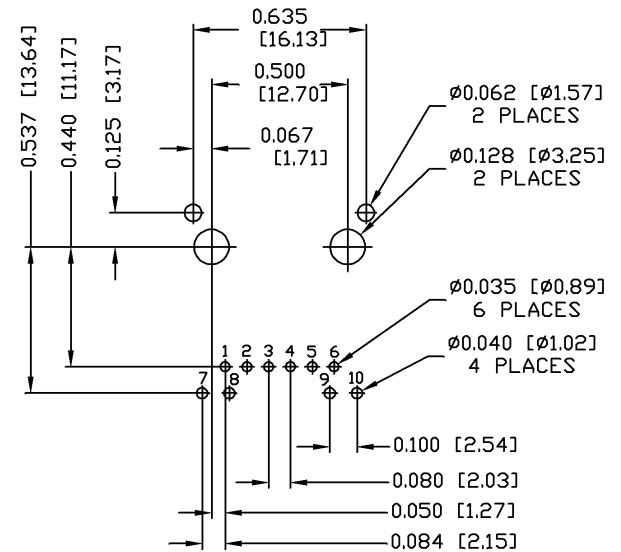
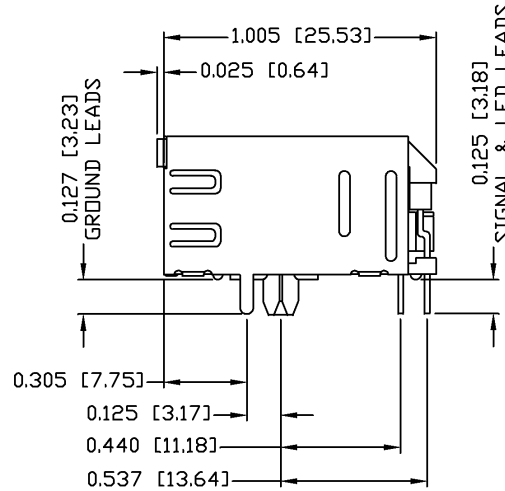
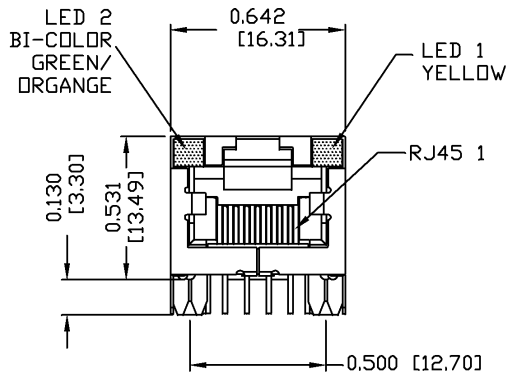
RoHS
2002/95/EC



MECHANICAL SPECIFICATION



RECOMMENDED PCB FOOTPRINT
COMPONENT SIDE VIEW



NOTES:

- PLASTIC HOUSING: THERMOPLASTIC PBT
- FLAMMABILITY RATING UL 94V-0
- CONTACTS PLATING: 15 MICRO-INCH HARD GOLD PLATING
- PINS: TIN-COATED COPPER WIRE, DIA 0.018 INCH.
- METAL SHIELD: NICKEL PLATED ON COPPER ALLOY.
- (ALL GROUND LEADS ARE SOLDER DIPPED)

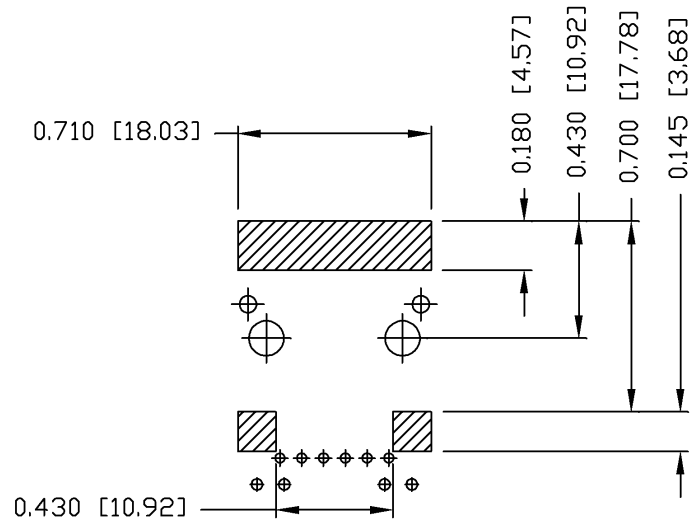
1. MARK PART WITH MFG LOGO, MFG NAME, PART NUMBER, AND DATE CODE.
 2. RoHS COMPLIANCE, PER EU DIRECTIVE 2002/95/EC.
- UL RECOGNIZED - FILE #E196366 AND E169987.
JACK CAVITY CONFORMS TO FCC RULES AND REGULATIONS.

ORIGINATED BY BILL CHEN	DATE 07-01-08	TITLE MagJack® (4 Cores, MDIX, CM Termination)	PART NO. / DRAWING NO. 08B01XX136-F	STANDARD DIM. TOL. IN INCH	[] METRIC DIM. AS REFERENCE	
DRAWN BY LIU QIN	DATE 07-01-08		FILE NAME 08B01XX136-F_B.DWG	.X .XX .XXX	±0.010	UNIT : INCH [mm] SCALE : N/A



THE INFORMATION CONTAINED HEREIN IS CONSIDERED 'PROPRIETARY' TO BEL FUSE INC. AND SHALL NOT BE COPIED, REPRODUCED OR DISCLOSED WITHOUT THE WRITTEN APPROVAL OF BEL FUSE INC.

RoHS
2002/95/EC



NOTES:

THE SHADED AREA ON THE CUSTOMER BOARD ARE RECOMMENDED TO BE CLEAR OFF ANY VIA HOLE OR COMPONENT PAD.

ORIGINATED BY CHEN BILL	DATE 07-01-08	TITLE MagJack® (4 Cores, MDIX, CM Termination) 08B0-1XX1-36-F	PART NO. / DRAWING NO. 08B01XX136-F	STANDARD DIM. TOL. IN INCH	[] METRIC DIM. AS REFERENCE	
DRAWN BY LIU QIN	DATE 07-01-08		FILE NAME 08B01XX136-F_B.DWG	.X .XX .XXX	±0.004	UNIT : INCH [mm]
					SCALE : N/A	SIZE : A4
						PAGE : 4

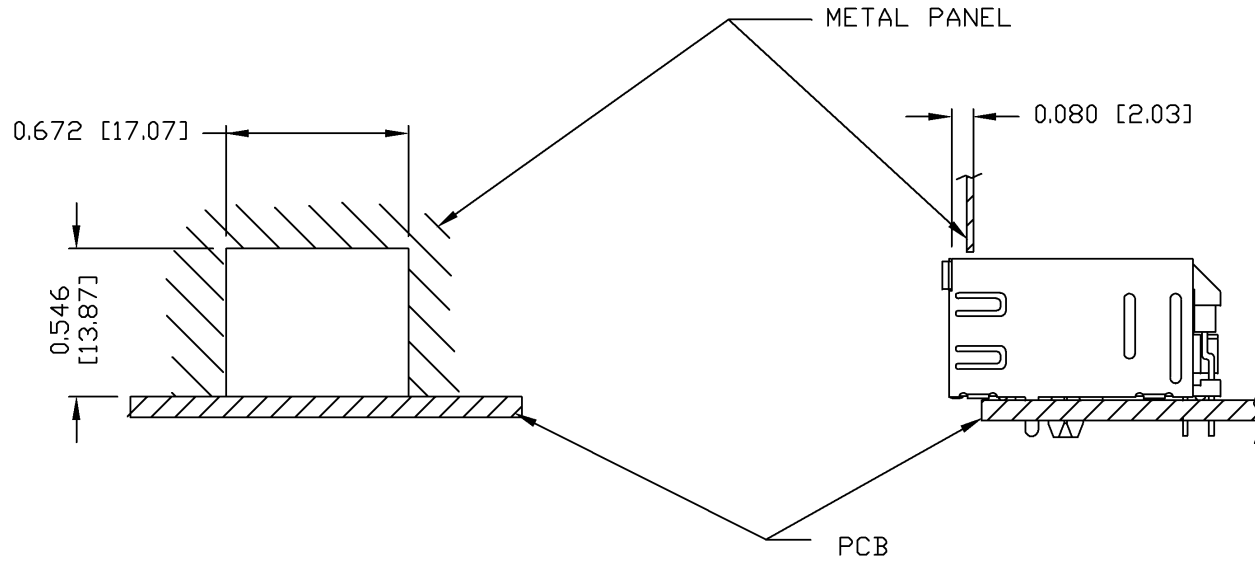


THE INFORMATION CONTAINED HEREIN IS CONSIDERED "PROPRIETARY" TO BEL FUSE INC. AND SHALL NOT BE COPIED, REPRODUCED OR DISCLOSED WITHOUT THE WRITTEN APPROVAL OF BEL FUSE INC.

RoHS
2002/95/EC



SUGGESTED PANEL OPENING



NOTE:

THE DISTANCE OF PANEL INSIDE SURFACE RELATIVE TO FRONT SURFACE OF PART IS ONLY A SUGGESTION. IN CASE THIS DISTANCE IS DIFFERENT, THE REQUIRED PANEL OPENING DIMENSIONS CHANGE ACCORDINGLY.

PACKING INFORMATION

PACKING TUBE : 0200-0149-01

PACKING QUANTITY : 30 PCS FINISHED GOODS PER TUBE

20 TUBES (600 PCS FINISHED GOODS) PER CARTON BOX

ORIGINATED BY	DATE	TITLE	PART NO. / DRAWING NO.	STANDARD DIM.	[] METRIC DIM. AS REFERENCE	
BILL CHEN	07-01-08	MagJack® (4 Cores, MDIX, CM Termination) 08B0-1XX1-36-F	08B01XX136-F	TOL. IN INCH	UNIT : INCH [mm]	REV. : B
DRAWN BY	DATE		FILE NAME	.X	SCALE : N/A	SIZE : A4
LIU QIN	07-01-08		08B01XX136-F_B.DWG	.XX		
			.XXX ±0.004			

