

# Omega



## Omega Catalog



[belfuse.com/cinch](http://belfuse.com/cinch)

## About Bel

---

Bel is a publicly traded company that has been operated by the same family for over 65 years. Our history of organic growth and acquisitions have broadened our product portfolio. This has established Bel as a world leader with a diverse offering of power, protection and interconnect products. We design and manufacture these products which are primarily used in the networking, telecommunications, computing, military, aerospace, transportation and broadcasting industries. Bel's portfolio of products also finds application in the automotive, medical and consumer electronics markets.

## About Omega

---

The Omega product series consists of a family of connectors qualified to the MIL-C-26500 general purpose specification. The Omega line has been expanded to also include many qualified products to numerous Boeing BACC45/BACC63 connector specifications. Utilizing the MIL-C-26500 mating interface, Cinch has also designed a high performance series of connectors with attributes for shielding, environmental sealing, fluid resistance, and vibration - namely our CN0966/CN0967/CN1020/CN1021/CN0909 connectors.

Our CN0942/CN0944 fixed contact receptacle connectors are designed specifically for custom board mount, flex circuit, and soldered wire applications. These CN series of connectors are designed to meet all electrical and mechanical requirements of the MIL-C-26500 military specification.

## Table of Contents

---

### MIL-C-26500 C48 Series

Introduction 3

### C48 Series Connectors

Ordering Information 4

Inserts Arrangement 5

Plug Connectors 6

Receptacle Connectors 7

### CN0915, C48 Series Connectors

Limited Wiring Space Receptacle Connectors, Crimp Removal Tool 9

### CN0942/CN0944, C48 Series Connectors

Short Receptacle Connectors, Non-Removable Contacts 11

CN0942 Series: Fluorosilicone Inserts 12

CN0944 Series: Fluorosilicone Inserts 13

### C48 Series Accessories

Cable Support Assembly 14

Contacts 15

### CN0966 Series

Self-Locking Plugs 16

### CN0967 Series

Vibration-Resistant Receptacle 17

### CN1020 Series

Vibration-Resistant Plug Connector 18

### CN1021 Series

Vibration-Resistant Plug Receptacle 19

### CN909A MMB Series

Vibration-Resistant Plug Connector 20

### C48 Series & C48 Family

Mounting Panel Data 21

## Introduction

The C48 Series describes a family of connectors qualified to MIL-C-26500. While maintaining the MIL-C-26500 mating interface, this product has also been expanded to include qualifications to numerous Boeing specifications to satisfy general purpose requirements and unique product challenges for shielding, environmental sealing, fluid resistance, and vibration. The expanded Cinch C48 product family offers numerous product options qualified to Boeing high-performance requirements and product solutions developed for alternate termination styles/low-profile packaging.

- Qualified to MIL-C-26500
- Styles qualified to Boeing BACC45 Series
- Styles qualified to Boeing BACC63 Series
- Power contact sizes: 20, 16, and 12
- Coax contacts available: size 12 and 8
- Contacts: crimp - front release
- Optional fixed contacts: PC termination
- Coupling styles: bayonet and threaded
- Environmentally sealed

### Materials

|            |   |
|------------|---|
| Shell      | Aluminum, stainless-steel options available                           |
| Finish     | Aluminum - anodize, optional electroless nickel / cadmium over nickel |
| Rubber     | Silicone / fluorosilicone   |
| Dielectric | Glass-filled epoxy  |

### Environmental

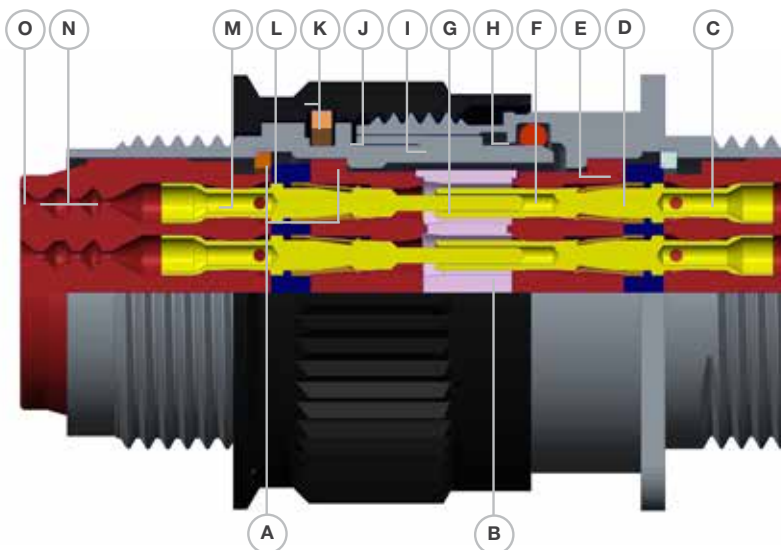
|                      |   |
|----------------------|---|
| Temperature Extremes | +200°C / 392°F to -55°C / -65°F                 |
| Ozone Resistance     | 0.015% by volume                                |
| Temperature Life     | Internal 238°C for 1,000 hours                  |
| Moisture Resistance  | 1,000 megohms minimum / MIL-STD-202, Method 106 |
| Thermal Shock        | -55°C (-67°C) to 260°C (500°F)                  |

### Electrical

|                       |                       |                        |                        |
|-----------------------|-----------------------|------------------------|------------------------|
| Dielectric Strength   | 1,500 volts VAC RMS   |                        |                        |
| Current Rating (Test) | Size 20 7.5 Amps D.C. | Size 16 13.0 Amps D.C. | Size 12 23.0 Amps D.C. |
| Insulation Resistance | 5,000 megohms minimum |                        |                        |

### Mechanical

|                   |   |   |                         |
|-------------------|---|---|-------------------------|
| Vibration         | Std - 20 g's; 12 hours (Synasoidal)<br>50 g's | MMB / Self-lock - 39.6 g's RMS, 48 hours (Random) |                         |
| Contact Retention | Size 20 - 20 lb minimum                       | Size 16 - 25 lb minimum                           | Size 12 - 30 lb minimum |
| Durability        | Threaded - 200 mating cycles                  | Bayonet - 500 mating cycles                       |                         |



- Positive Location Captivated Insert (Mechanical Interlock)
- Insert Face Seal
- Socket Contact, MIL-C-39029/32
- Pressuring Seal Contact
- Anti-Deflection Disc
- Resilient Socket Insert
- Insert Rim Seal
- Dynamic "O" Ring Shell Seal
- Five-Key Shell Polarization
- Metal-to-Metal Shoulder
- Bayonet or Threaded Coupling, Permanent Captivation
- Contact Retention Clip
- Pin Contact, MIL-C-39029/31
- Wire Sealing Risers
- Grommet

# C48 Series Connectors

## Ordering Information

**C48-06R22-55P6-102**

|   |  |
|---|--|
| <p><b>Series Designation</b></p> <p><b>Coupling Style</b><br/>0 = Threaded<br/>1 = Bayonet</p> <p><b>Shell Style</b><br/>0 = Square flange receptacle<br/>3 = Single-hole mounting receptacle<br/>6 = Straight plug</p> <p><b>Environmental Class</b><br/>R = Meets MIL-C-26500 (USAF)</p> <p><b>Shell Size</b><br/>8, 10, 12, 14, 16, 18, 20, 22, 24</p> | <p><b>Order Code (Deviations)</b><br/>100 = Connector with contacts &amp; cable support<br/>102 = Connector less cable support with contacts<br/>105 = Connector less contacts with cable support<br/>106 = Connector less contacts &amp; less cable support<br/>*See order codes for Boeing on page 15</p> <p><b>Alternate Shell Positions</b><br/>6, 7, 8, 9, 10, see page 4, Table 1<br/>(Omit for normal position)</p> <p><b>Contact Style</b><br/>P = Pin<br/>S = Socket</p> <p><b>Insert Arrangements</b><br/>See page 5</p> |
|---|--|

**MS24266R22T55P6**

|  |   |
|--|---|
| <p><b>Military Designation</b><br/>MS24264 = Square-flange receptacle<br/>MS24265 = Single-hole mounting receptacle<br/>MS24266 = Straight plug</p> <p><b>Environmental Class</b><br/>R = Meets MIL-C-26500 (USAF)</p> <p><b>Shell Size</b><br/>8, 10, 12, 14, 16, 18, 20, 22, or 24</p> | <p><b>Alternate Shell Positions</b><br/>N, 6, 7, 8, 9, Y, see page 4, Table 1</p> <p><b>Contact Style</b><br/>P = Pin<br/>S = Socket</p> <p><b>Insert Arrangements</b><br/>See page 5</p> <p><b>Coupling Style</b><br/>T = Threaded<br/>B = Bayonet</p> |
|--|---|

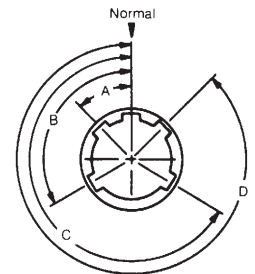
## Table 1 - Alternate Shell Positions

**Shell Keying** (Front face of receptacle shown)

Alternate position 6 through Y incorporate special shell polarizing key and keyways. All inserts remain in the normal position.

| Position   | Connector Size 8 and 10 |      |      |      | Connector Size 12, 14, 16, 18, 20, 22, 24 and 28 |      |      |      |
|------------|-------------------------|------|------|------|--|------|------|------|
|            | A                       | B    | C    | D    | A  | B    | C    | D    |
| Normal (N) | 105°                    | 140° | 215° | 140° | 105°   | 140° | 215° | 265° |
| 6          | 102°                    | 132° | 248° | 275° | 18°  | 149° | 192° | 259° |
| 7          | 80°                     | 118° | 230° | 140° | 92°  | 152° | 222° | 342° |
| 8          | 35°                     | 140° | 205° | 275° | 84°  | 152° | 204° | 342° |
| 9          | 64°                     | 155° | 234° | 140° | 24°  | 135° | 199° | 334° |
| 10 or Y*   | 25°                     | 115° | 220° | 275° | 98°  | 152° | 268° | 338° |

\*Not available in Size 8 Connectors. See individual part number systems.



## Military Stand Part Numbers

You can use MS\* as well as C48 Series part numbers when ordering C48 Series connects.

\*MS part numbers are supplied less cable support. If cable support is desired, it must be ordered separately.

## Insert Arrangement

Showing Front Face of Socket Inserts

| Shell Size 8   |  | Shell Size 10                                       |   |   | Shell Size 12                  |                                   |
|--|--|---|---|---|--------------------------------|-----------------------------------|
|  |  |   |   |   |                                |                                   |
| 2#20 contacts<br>Insert 8-2(Y)                       | 3#20 contacts<br>Insert 8-3(Y)                         | 2#20 contacts<br>Insert 10-2(Y)                     | 2#16 contacts<br>Insert 10-20                       | 5#20 contacts<br>Insert 10-5(Y)                     | 3#16 contacts<br>Insert 12-3   | 12#20 contacts<br>Insert 12-12(Y) |
| Shell Size 14  |  |   |   |   | Shell Size 16                  |                                   |
|  |  |   |   |   |                                |                                   |
| 2#16 contacts<br>1#2 shielded contact<br>Insert 14-3 | 4#12 contacts<br>Insert 14-4†                          | 7#16 contacts<br>Insert 14-7                        | 9#20 contacts<br>3#16 contact<br>Insert 14-12(Y)    | 15#20 contacts<br>Insert 14-15(Y)                   | 10#16 contacts<br>Insert 16-10 | 24#20 contacts<br>Insert 16-24(Y) |
| Shell Size 18  |  |   |   |   |                                |                                   |
|  |  |   |   |   |                                |                                   |
| 8#12 contacts<br>Insert 18-8†                        | 10#16 contacts<br>1#2 shielded contact<br>Insert 18-11 | 14#16 contacts<br>Insert 18-14                      | 31#20 contacts<br>Insert 18-31(Y)                   |   |                                |                                   |
| Shell Size 20  |  |   |   |   |                                |                                   |
|  |  |   |   |   |                                |                                   |
| 16#16 contacts<br>Insert 20-16                       | 19#20 contacts<br>6#12 contacts<br>Insert 20-25†(Y)    | 24#20 contacts<br>4#12 contacts<br>Insert 20-28†(Y) | 37#20 contacts<br>2#16 contacts<br>Insert 20-39†(Y) | 41#20 contacts<br>Insert 20-41(Y)                   |                                |                                   |
| Shell Size 22  |  |   |   |   |                                |                                   |
|  |  |   |   |   |                                |                                   |
| 12#12 contacts<br>Insert 22-12†                      | 19#16 contacts<br>Insert 22-19                         | 26#20 contacts<br>6#12 contacts<br>Insert 22-32†(Y) | 55#20 contacts<br>Insert 22-55(Y)                   | 27#20 contacts<br>12#16 contacts<br>Insert 22-39(Y) |                                |                                   |
| Shell Size 24  |  |   |   | Shell Size 28                                       |                                |                                   |
|  |  |   |   |   |                                |                                   |
| 23#20 contacts<br>20#16 contacts<br>Insert 24-43(Y)  | 2#12 contacts<br>55#20 contacts<br>Insert 24-57†(Y)    | 61#20 contacts<br>Insert 24-61(Y)                   | 29#16 contacts<br>Insert 24-29                      | 30#16 contacts<br>Insert 24-30                      | 42#16 contacts<br>Insert 28-42 |                                   |

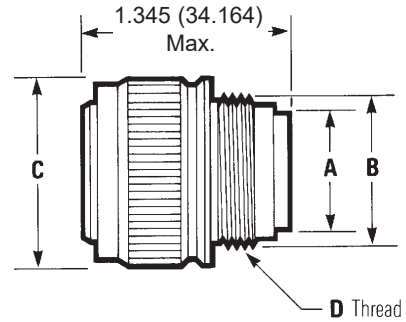
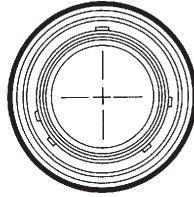
† = #1 shielded contact is interchangeable with #12 power contact.  
(Y) = Available in Boeing Insert Style.

# C48 Series Connectors

## Plug Connectors

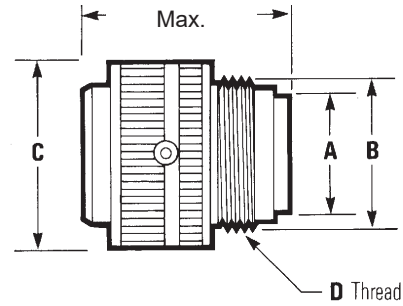
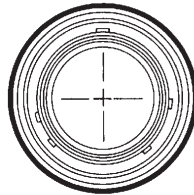
### Threaded Couplings

C48-06RXX-XXXX  
MS24266RXXTXXXX  
BACC45FS<sup>1</sup>



### Bayonet Coupling

C48-16RXX-XXXX  
MS24266RXXBXXXX  
BACC45FT<sup>1</sup>



| Shell Size | A Diameter |        | B Diameter |        | C Maximum |        | D Thread |
|------------|------------|--------|------------|--------|-----------|--------|----------|
|            | in         | mm     | in         | mm     | in        | mm     | UNEF-2A  |
| 8          | 0.328      | 8.331  | 0.437      | 11.100 | 0.776     | 19.712 | 0.437-28 |
| 10         | 0.420      | 10.668 | 0.562      | 14.275 | 0.906     | 23.013 | 0.562-24 |
| 12         | 0.580      | 14.732 | 0.750      | 19.050 | 1.078     | 27.381 | 0.750-20 |
| 14         | 0.664      | 16.866 | 0.812      | 20.625 | 1.141     | 28.982 | 0.812-20 |
| 16         | 0.769      | 19.533 | 0.938      | 23.825 | 1.266     | 32.157 | 0.937-20 |
| 18         | 0.902      | 22.911 | 1.062      | 26.975 | 1.375     | 34.925 | 1.062-18 |
| 20         | 1.033      | 26.238 | 1.182      | 30.023 | 1.510     | 38.354 | 1.187-18 |
| 22         | 1.152      | 29.261 | 1.312      | 33.325 | 1.625     | 41.275 | 1.312-18 |
| 24         | 1.282      | 32.253 | 1.432      | 36.373 | 1.760     | 44.704 | 1.437-18 |

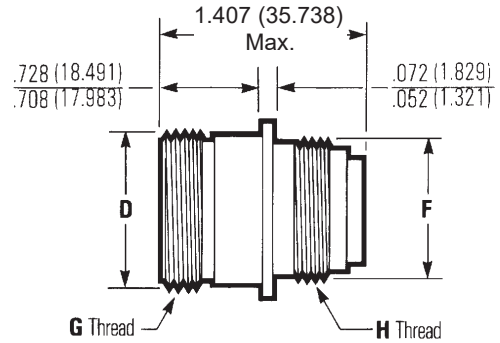
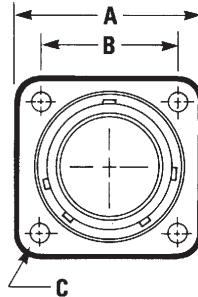
<sup>1</sup>Boeing specifications, see page 15



## Receptacle Connectors

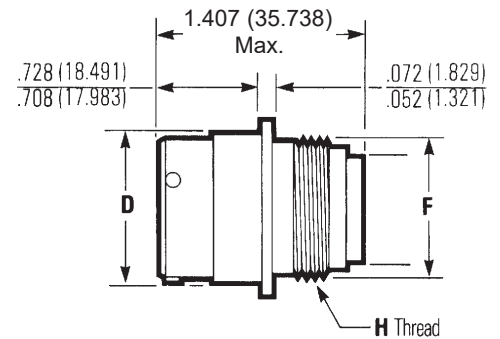
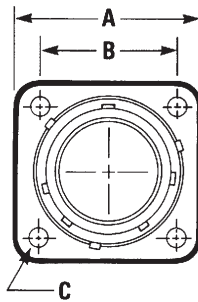
### Square Flange, Threaded Coupling

C48-OORXX-XXXX  
MS24264RXXTXXX  
BACC45FM<sup>1</sup>



### Square Flange, Bayonet Coupling

C48-1ORXX-XXXX  
MS24264RXXBXXX  
BACC45FN<sup>1</sup>



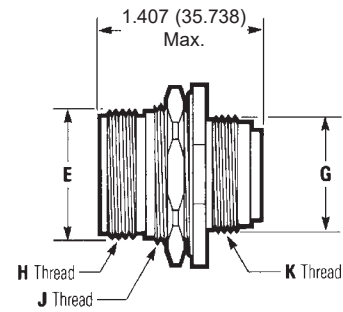
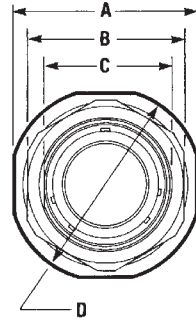
| Shell Size | A              |                | B     |        | C                |         | D       |         | F       |         | G        | H        | J       |         | K       |         |
|------------|----------------|----------------|-------|--------|------------------|---------|---------|---------|---------|---------|----------|----------|---------|---------|---------|---------|
|            | ±0.005 (0.127) | ±0.005 (0.127) | in    | mm     | Maximum Diameter | Maximum | Maximum | Maximum | Maximum | Maximum | Thread   | Thread   | Minimum | Minimum | Minimum | Minimum |
|            | in             | mm             | in    | mm     | in               | mm      | in      | mm      | in      | mm      | UNEF-2A  | UNEF-2A  | in      | mm      | in      | mm      |
| 8          | 0.812          | 20.625         | 0.594 | 15.088 | 0.125            | 3.175   | 0.561   | 14.250  | 0.437   | 11.100  | 0.562-24 | 0.437-28 | 0.620   | 15.748  | 0.447   | 11.35   |
| 10         | 0.937          | 23.800         | 0.719 | 18.263 | 0.125            | 3.175   | 0.696   | 17.679  | 0.562   | 14.275  | 0.687-24 | 0.562-24 | 0.748   | 18.999  | 0.572   | 14.52   |
| 12         | 1.031          | 26.188         | 0.812 | 20.625 | 0.125            | 3.175   | 0.875   | 22.225  | 0.750   | 19.050  | 0.875-20 | 0.750-20 | 0.913   | 23.190  | 0.760   | 19.30   |
| 14         | 1.125          | 28.575         | 0.906 | 23.013 | 0.125            | 3.175   | 0.935   | 23.749  | 0.812   | 20.625  | 0.937-20 | 0.812-20 | 0.980   | 24.892  | 0.822   | 20.87   |
| 16         | 1.250          | 31.750         | 0.969 | 24.613 | 0.125            | 3.175   | 1.062   | 26.975  | 0.938   | 23.825  | 1.062-18 | 0.937-20 | 1.107   | 28.119  | 0.948   | 24.07   |
| 18         | 1.343          | 34.112         | 1.062 | 26.975 | 0.125            | 3.175   | 1.187   | 30.150  | 1.062   | 26.975  | 1.187-18 | 1.062-18 | 1.209   | 30.709  | 1.072   | 27.22   |
| 20         | 1.437          | 36.500         | 1.156 | 29.363 | 0.125            | 3.175   | 1.312   | 33.325  | 1.182   | 30.023  | 1.312-18 | 1.187.18 | 1.337   | 33.960  | 1.192   | 30.27   |
| 22         | 1.562          | 39.675         | 1.250 | 31.750 | 0.125            | 3.175   | 1.437   | 36.500  | 1.312   | 33.325  | 1.437-18 | 1.312.18 | 1.452   | 36.881  | 1.322   | 33.57   |
| 24         | 1.703          | 43.256         | 1.375 | 34.925 | 0.154            | 3.912   | 1.562   | 39.675  | 1.432   | 36.373  | 1.562-18 | 1.437.18 | 1.577   | 40.056  | 1.442   | 36.62   |

<sup>1</sup>Boeing specifications, see page 15

# C48 Series Connectors

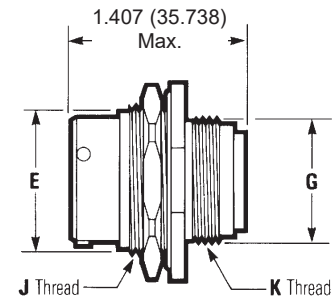
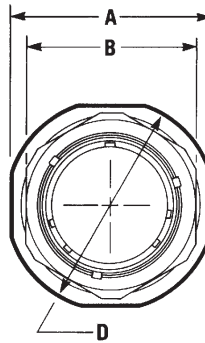
## Single-Hole Mount, Threaded Coupling

C48-03RXX-XXXX  
MS24265RXXTXXX



## Single-Hole Mount, Bayonet Coupling

C48-13RXX-XXXX  
MS24265RXXBXXX



| Shell Size | A<br>±0.005 (0.127) |        | B<br>Maximum Hex |        | C<br>±0.003 (0.076) |        | D<br>Maximum |        | E<br>Maximum Diameter |        | G<br>Maximum | H<br>Thread | J<br>Thread | K<br>Thread |
|------------|---------------------|--------|------------------|--------|---------------------|--------|--------------|--------|-----------------------|--------|--------------|-------------|-------------|-------------|
|            | in                  | mm     | in               | mm     | in                  | mm     | in           | mm     | in                    | mm     | UNEF-2A      | UNEF-2A     | UNEF-2A     | UNEF-2A     |
| 8          | 0.979               | 24.867 | 0.828            | 21.031 | 0.593               | 15.062 | 1.068        | 27.127 | 0.561                 | 14.249 | 0.437        | 0.562-24    | 0.625-20*   | 0.437-28    |
| 10         | 1.104               | 28.042 | 0.953            | 24.206 | 0.718               | 18.237 | 1.192        | 30.277 | 0.696                 | 17.678 | 0.562        | 0.687-24    | 0.750-20    | 0.562-24    |
| 12         | 1.291               | 32.791 | 1.140            | 28.956 | 0.905               | 22.987 | 1.380        | 35.052 | 0.875                 | 22.225 | 0.750        | 0.875-20    | 0.937-20    | 0.750-20    |
| 14         | 1.391               | 35.331 | 1.250            | 31.750 | 0.968               | 24.587 | 1.505        | 38.227 | 0.935                 | 23.749 | 0.812        | 0.937-20    | 1.000-20    | 0.812-20    |
| 16         | 1.516               | 38.506 | 1.329            | 33.757 | 1.093               | 27.762 | 1.630        | 41.402 | 1.062                 | 26.975 | 0.938        | 1.062-18    | 1.125-20*   | 0.937-20    |
| 18         | 1.641               | 41.681 | 1.455            | 36.957 | 1.217               | 30.912 | 1.740        | 44.196 | 1.187                 | 30.150 | 1.062        | 1.187-18    | 1.250-20*   | 1.062-18    |
| 20         | 1.766               | 44.856 | 1.642            | 41.707 | 1.342               | 34.087 | 1.860        | 47.244 | 1.312                 | 33.325 | 1.182        | 1.312-18    | 1.375-18    | 1.187-18    |
| 22         | 1.954               | 49.632 | 1.705            | 43.307 | 1.467               | 37.262 | 2.040        | 51.816 | 1.437                 | 36.500 | 1.312        | 1.437-18    | 1.500-20*   | 1.312-18    |
| 24         | 2.079               | 52.807 | 1.892            | 48.057 | 1.592               | 40.437 | 2.160        | 54.864 | 1.562                 | 39.675 | 1.432        | 1.562-18    | 1.625-18    | 1.437-18    |

\* Thread: UN-2A

**NOTES:**

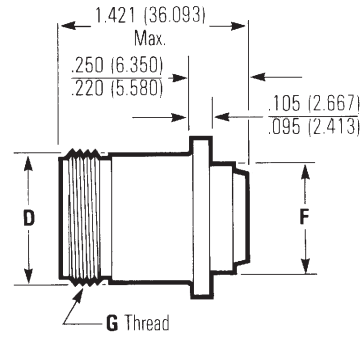
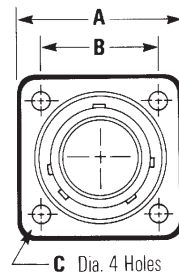
Contact factory for information about Boeing specifications.  
For mounting hole dimensions and jam nut torques, see page 21.



## Limited Wiring Space Receptacle Connectors, Crimp Removal Contacts

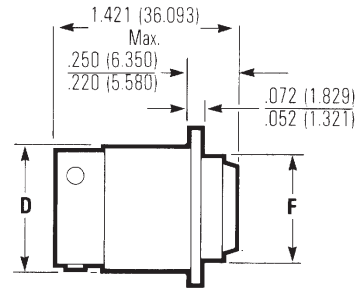
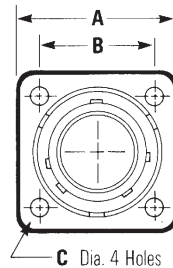
### Square-Flange, Threaded Coupling

CN0915B-XXXXXXX-XXX



### Square-Flange, Bayonet Coupling

CN0915A-XXXXXXX-XXX



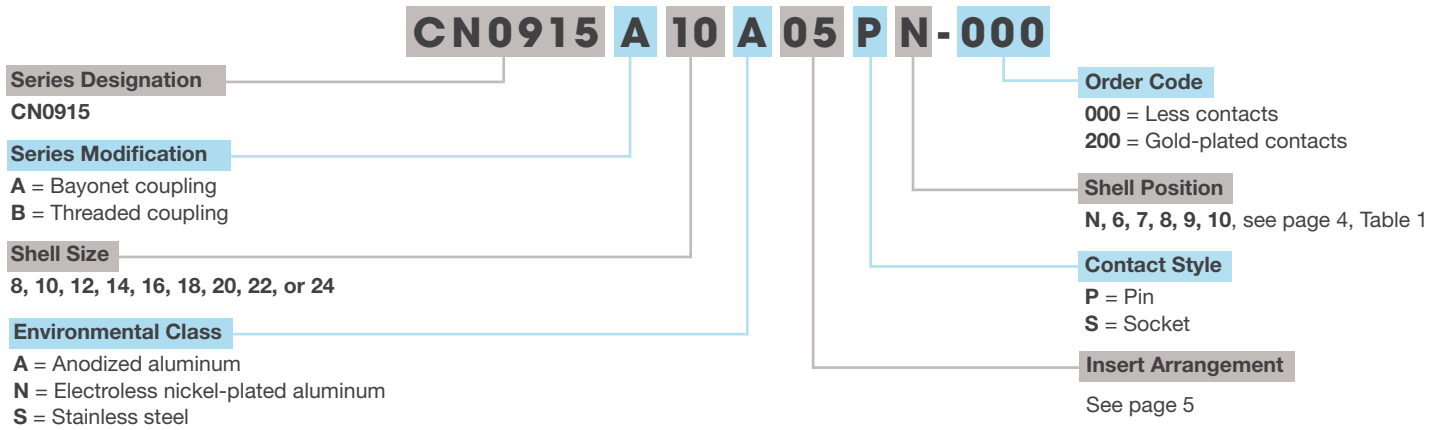
| Shell Size | A                  |        | B                 |        | C                 |       | D          |        | F                  |        | G Thread UNEF-2A |
|------------|--------------------|--------|-------------------|--------|-------------------|-------|------------|--------|--------------------|--------|------------------|
|            | ±0.0045 (0.114) in | mm     | ±0.005 (0.127) in | mm     | ±0.004 (0.102) in | mm    | Maximum in | mm     | ±0.0015 (0.038) in | mm     |                  |
| 8          | 0.812              | 20.625 | 0.594             | 15.088 | 0.121             | 3.073 | 0.561      | 14.250 | 0.497              | 12.624 | 0.562-24         |
| 10         | 0.937              | 23.800 | 0.719             | 18.263 | 0.121             | 3.073 | 0.696      | 17.679 | 0.503              | 15.799 | 0.687-24         |
| 12         | 1.031              | 26.187 | 0.812             | 20.625 | 0.121             | 3.073 | 0.875      | 22.225 | 0.745              | 18.923 | 0.875-20         |
| 14         | 1.125              | 28.575 | 0.906             | 23.012 | 0.121             | 3.073 | 0.935      | 23.749 | 0.871              | 22.123 | 0.937-20         |
| 16         | 1.150              | 29.210 | 0.969             | 24.613 | 0.121             | 3.073 | 1.062      | 26.975 | 0.995              | 25.273 | 1.062-18         |
| 18         | 1.343              | 35.382 | 1.062             | 26.975 | 0.121             | 3.073 | 1.187      | 30.150 | 1.058              | 26.873 | 1.187-18         |
| 20         | 1.437              | 36.500 | 1.156             | 29.362 | 0.121             | 3.073 | 1.312      | 33.325 | 1.184              | 30.074 | 1.312-18         |
| 22         | 1.562              | 39.675 | 1.250             | 31.750 | 0.121             | 3.073 | 1.437      | 36.500 | 1.307              | 33.198 | 1.437-18         |
| 24         | 1.703              | 43.256 | 1.375             | 34.925 | 0.154             | 3.912 | 1.562      | 39.675 | 1.432              | 36.373 | 1.562-18         |

**NOTES:**

- 1 For other modifications, classes, etc., contact factory
- For mounting hole dimensions, see page 21
- Uses CRIM-LOK contacts. See page 13

# CN0915, C48 Series Connectors

## Ordering Information



### NOTES:

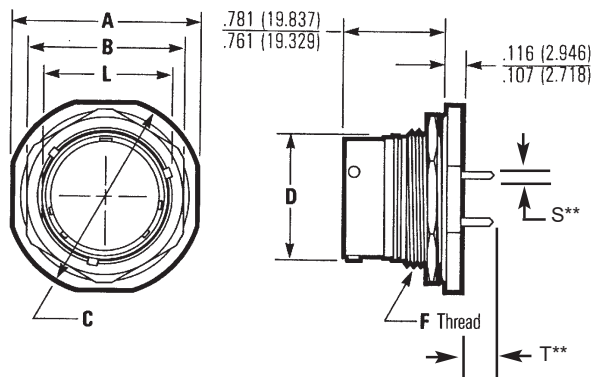
- <sup>1</sup> For other modifications, classes, etc., contact factory
- For mounting hole dimensions, see page 21
- Uses CRIM-LOK contacts. See page 13
- \* Former order code - 100 designated rhodium plated contacts

## Short Receptacle Connectors, Non-Removable Contacts

### Single-Hole Mount, Bayonet Coupling

CN0942D XXXXXXXXX

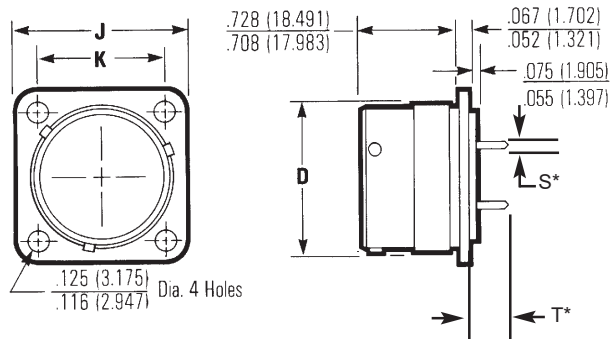
CN0944D XXXXXXXXX



### Square Flange, Bayonet Coupling

CN0942B XXXXXXXXX

CN0944B XXXXXXXXX



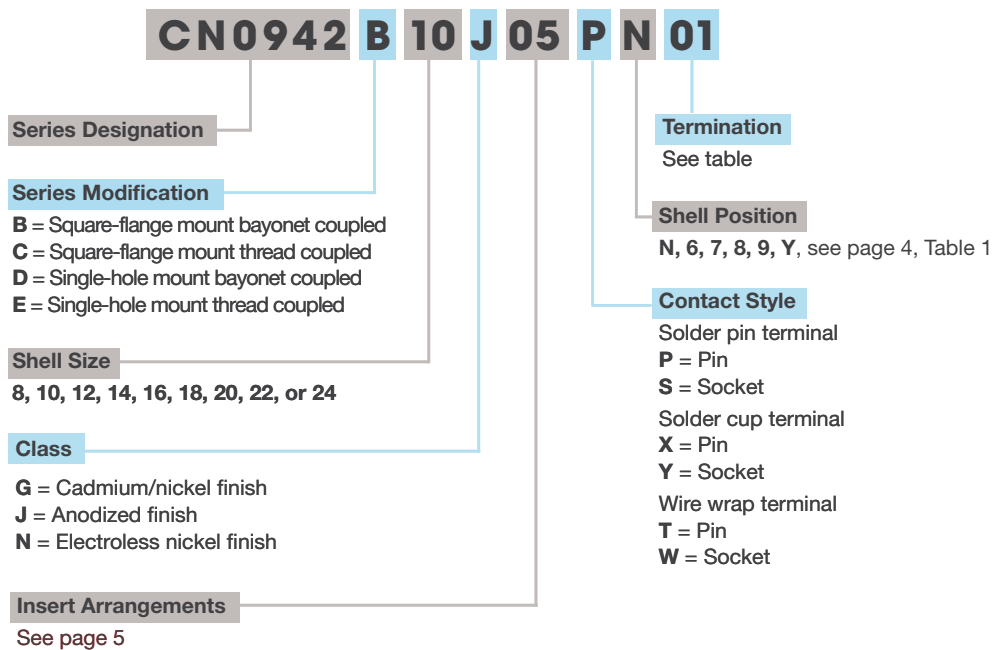
| Shell Size | A Maximum |        | B Maximum |        | C Maximum |        | D Maximum |        | F Thread  | J ±0.005 (0.127) |        | K ±0.005 (0.127) |        | L ±0.003 (0.076) |        |
|------------|-----------|--------|-----------|--------|-----------|--------|-----------|--------|-----------|------------------|--------|------------------|--------|------------------|--------|
|            | in        | mm     | in        | mm     | in        | mm     | in        | mm     |           | in               | mm     | in               | mm     | in               | mm     |
| 8          | 0.984     | 24.994 | 0.828     | 21.031 | 1.068     | 27.127 | 0.561     | 14.250 | 0.625-20* | 0.812            | 20.625 | 0.594            | 15.088 | 0.593            | 15.062 |
| 10         | 1.109     | 28.169 | 0.953     | 24.206 | 1.192     | 30.277 | 0.696     | 17.679 | 0.750-20  | 0.937            | 23.800 | 0.719            | 18.263 | 0.718            | 18.237 |
| 12         | 1.296     | 32.919 | 1.140     | 28.956 | 1.380     | 35.052 | 0.875     | 22.225 | 0.937-20  | 1.031            | 26.188 | 0.812            | 20.625 | 0.905            | 22.987 |
| 14         | 1.396     | 35.459 | 1.250     | 31.750 | 1.505     | 38.227 | 0.935     | 23.749 | 1.000-20  | 1.125            | 28.575 | 0.906            | 23.013 | 0.968            | 24.587 |
| 16         | 1.521     | 38.634 | 1.329     | 33.757 | 1.630     | 41.402 | 1.062     | 26.975 | 1.125-20* | 1.250            | 31.750 | 0.969            | 24.613 | 1.093            | 27.762 |
| 18         | 1.646     | 41.809 | 1.455     | 36.957 | 1.740     | 44.196 | 1.187     | 30.150 | 1.250-20* | 1.343            | 34.112 | 1.062            | 26.975 | 1.217            | 30.912 |
| 20         | 1.771     | 44.984 | 1.642     | 41.707 | 1.860     | 47.244 | 1.312     | 33.325 | 1.375-18  | 1.437            | 36.500 | 1.156            | 29.363 | 1.342            | 34.087 |
| 22         | 1.959     | 49.759 | 1.705     | 43.307 | 2.040     | 51.816 | 1.437     | 36.500 | 1.500-20* | 1.562            | 39.675 | 1.250            | 31.750 | 1.467            | 37.262 |
| 24         | 2.084     | 52.934 | 1.892     | 48.057 | 2.160     | 54.864 | 1.562     | 39.675 | 1.625-18  | 1.703            | 43.256 | 1.375            | 34.925 | 1.592            | 40.437 |

\* Th'd: UN-2A

\*\* See "S" and "T" dimensions on page 11

## CN0942 Series: Fluorosilicone Inserts

### Ordering Information



### Fluorosilicone Inserts



**Table 2 - CN0942 Series: Fluorosilicone Inserts**

| Termination Designator | Contact Style | Termination |          |
|------------------------|---------------|-------------|----------|
|                        |               | T Minimum   | S ±0.002 |
| 01*                    | P & S         | 0.250       | 0.025    |
| 02*                    | X & Y         | 0.230       | N/A      |
| 03**                   | P & S         | 0.144       | 0.025    |
| 04**                   | X & Y         | 0.124       | N/A      |
| 06*                    | T & W         | 0.900       | 0.025    |

\* Applies to CN0942B/CN0942C

\*\* Applies to CN0942D/CN0942E

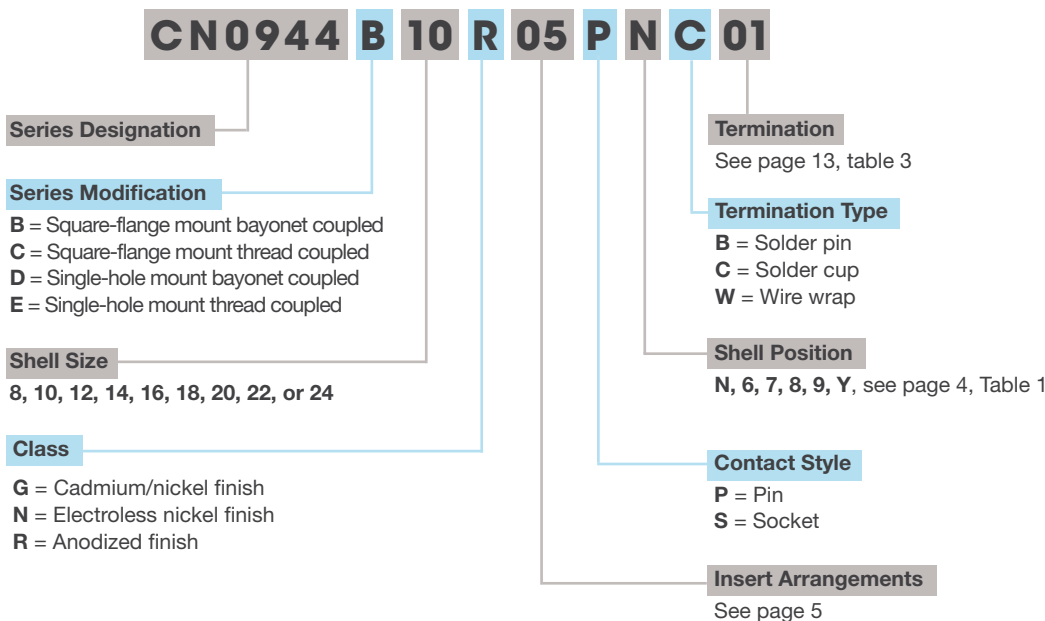
**NOTES:**

<sup>1</sup> For other modifications, class, etc., consult factory.

For mounting hole dimensions, see page 21.

## CN0944 Series: Neoprene Inserts

### Ordering Information



### Neoprene Inserts



**Table 3 - CN0942 Series: Neoprene Inserts**

| Termination Designator | Termination Type | Termination |          |
|------------------------|------------------|-------------|----------|
|                        |                  | T Minimum   | S ±0.002 |
| 01*                    | B                | 0.250       | 0.025    |
| 02*                    | C                | 0.230       | N/A      |
| 03**                   | B                | 0.144       | 0.025    |
| 04**                   | C                | 0.124       | N/A      |
| 06*                    | W                | 0.900       | 0.025    |

\* Applies to CN0944B/CN0944C

\*\* Applies to CN0944D/CN0944E

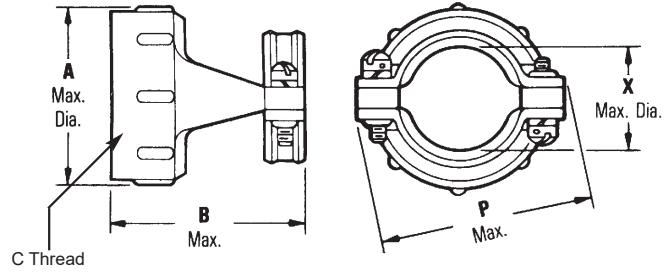
**NOTES:**

<sup>1</sup> For other modifications, class, etc., consult factory.

For mounting hole dimensions, see page 21.

## Cable Support Assembly

Cable clamps support cable or wire at the plug or receptacle and prevent twisting and pulling. For use on C48 Series connectors.



| Shell Size | Cinch Part Number | MS Part Number | A Maximum |        | B $\pm 0.005$ (0.381) |        | X I.D. $\pm 0.005$ (0.127) |        | C Th'D   |       | P Maximum |        |
|------------|-------------------|----------------|-----------|--------|-----------------------|--------|----------------------------|--------|----------|-------|-----------|--------|
|            |                   |                | in        | mm     | in                    | mm     | in                         | mm     | in       | mm    | in        | mm     |
| 8          | C48-2840          | MS27291-13     | 0.606     | 15.393 | 0.935                 | 23.749 | 0.186                      | 4.725  | 0.437-28 | 0.789 | 20.042    | 20.042 |
| 10         | C48-2341          | MS27291-1      | 0.731     | 18.568 | 0.935                 | 23.749 | 0.270                      | 6.858  | 0.562-24 | 0.914 | 23.216    | 23.216 |
| 12         | C48-2342          | MS27291-2      | 0.919     | 23.343 | 0.935                 | 23.749 | 0.400                      | 10.160 | 0.750-20 | 1.026 | 26.061    | 26.061 |
| 14         | C48-2343          | MS27291-3      | 0.981     | 24.918 | 1.170                 | 29.718 | 0.460                      | 11.684 | 0.812-20 | 1.090 | 27.686    | 27.686 |
| 16         | C48-2344          | MS27291-4      | 1.106     | 28.093 | 1.170                 | 29.718 | 0.610                      | 15.494 | 0.937-20 | 1.250 | 31.750    | 31.750 |
| 18         | C48-2345          | MS27291-5      | 1.231     | 31.268 | 1.170                 | 29.718 | 0.690                      | 17.526 | 1.062-18 | 1.358 | 34.493    | 34.493 |
| 20         | C48-2643          | MS27291-14     | 1.356     | 34.443 | 1.170                 | 29.718 | 0.816                      | 20.728 | 1.187-18 | 1.481 | 37.619    | 37.619 |
| 22         | C48-2346          | MS27291-6      | 1.481     | 37.618 | 1.170                 | 29.718 | 0.940                      | 23.876 | 1.312-18 | 1.604 | 40.742    | 40.742 |
| 24         | C48-2644          | MS27291-15     | 1.606     | 40.793 | 1.170                 | 29.178 | 1.066                      | 27.078 | 1.437-18 | 1.729 | 43.919    | 43.919 |

## Contacts



When you order Cinch C48 Series connectors with contacts, the contact package contains enough contacts to complete the insert arrangement plus two spares. The package also includes sealing plugs for 15% of the contacts in the inserts, minimum of three. To provide proper sealing, insert unwired contacts and sealing plugs in all unused holes. (Use a #12 contact for a #1 shielded hole.) To order contacts and sealing plugs separately use the part numbers in the table below.

| Cinch Part Number |             | MS Part Number |               | Boeing Part Number |            | Contact Size (Shielded) | Maxium Wire Size AWG | Current Rating Amps |
|-------------------|-------------|----------------|---------------|--------------------|------------|-------------------------|----------------------|---------------------|
| Contacts Pin      | Socket      | Contacts Pin   | Socket        | Contacts Pin       | Socket     |                         |                      |                     |
| C48-1226-02       | C48-1227-02 |                |               |                    |            | No. 1*                  | **                   | 3                   |
| C48-1226-54       | C48-1227-54 |                |               |                    |            |                         | ****                 | 1                   |
| C48-1226-55       | C48-1227-55 |                |               |                    |            |                         | *****                | 1                   |
| C48-2187-02       | C48-2188-02 |                |               |                    |            | No. 2                   | ***                  | 7.5                 |
|                   |             | M32029/31-235  | M39029/32-254 | BACC47CN1S         | BACC47CP1S | No. 12                  | 12                   | 41                  |
|                   |             | M32029/31-235  | M39029/32-254 | BACC47CN1S         | BACC47CP1S | No.14                   | 14                   | 32                  |
|                   |             | M39029/31-229  | M39029/32-248 | BACC47CN1S         | BACC47CP1S | No. 16                  | 16                   | 22                  |
|                   |             | M39029/31-229  | M39029/32-248 | BACC47CN1S         | BACC47CP2S | No. 18                  | 18                   | 16                  |
|                   |             | M39029/31-627  | M39029/32-260 | BACC47CN2S         | BACC47CP2S | No. 20                  | 20                   | 7.5                 |
|                   |             | M39029/31-627  | M39029/32-260 | BACC47CN2S         | BACC47CP3S | No. 22                  | 22                   | 5.0                 |
|                   |             | M39029/31-627  | M39029/32-260 | BACC47CN3S         | BACC47CP3S | No. 24                  | 24                   | 3.0                 |

- \* Fits into No. 12 power contact cavity.
- \*\* Accommodates cables RG174/U, RG179U, RG179A/U, RG187/U, RG188/U, RG161/U, as well as shielded wire. Can also accommodate Cable MIL-C-27500-22 KING (Extruded) or 22 AWG per MIL-C-7078 type II.
- \*\*\* Accommodates Cable MIL-C-27500 KING; 20 KING; 18 KING (Extruded) or 22, 20, 18 AWG, per MIL-C-7078 type II.
- \*\*\*\* For use with RG195/U and RG180/U, RG180A/U, and RG1808/U.
- \*\*\*\*\* Accommodates Cables RG178/U, RG178A/U, RG1788/U, and RG196/U.

## Grommet Sealing Plugs



| MS Part Number | Color Code | Size |
|----------------|------------|------|
| MS27488-20-2   | Red        | 20   |
| MS27488-16-2   | Green      | 16   |
| MS27488-12-2   | Orange     | 12   |

## Insertion/Removal Tools



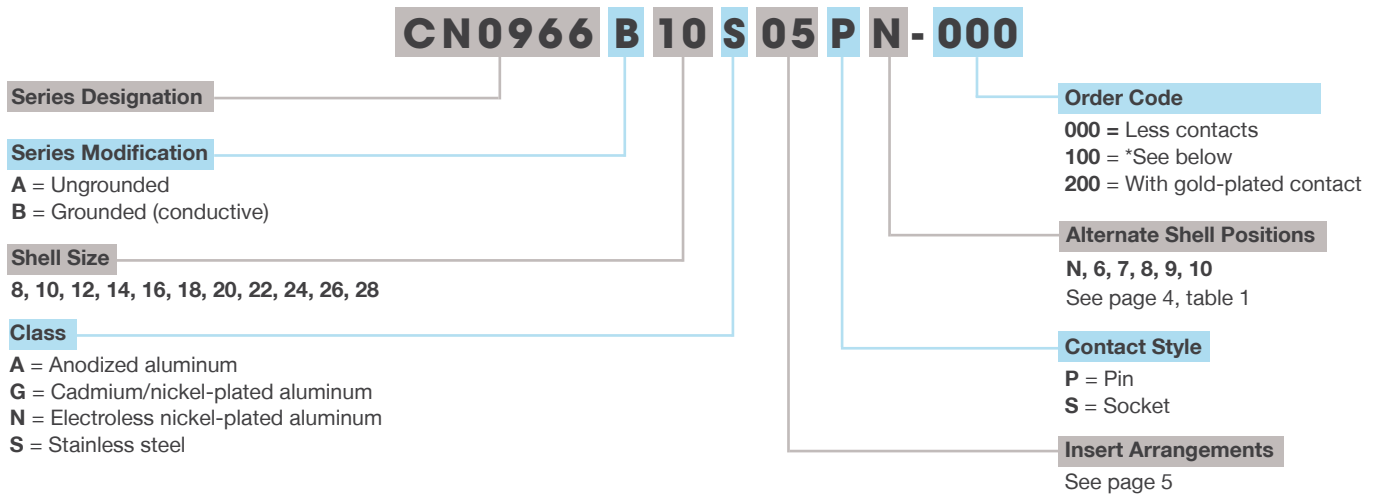
| Insertion Tool | Removal Tool | Crimp Tool  | Adjustable Turret | Contact Size |
|----------------|--------------|-------------|-------------------|--------------|
| M81969/17-03   | M81969/19-06 | M22520/1-01 | MS22520/1-02      | No. 20       |
| M81969/17-04   | M81969/19-01 | M22520/1-01 | MS22520/1-02      | No. 16       |
| M81969/17-05   | M81969/19-02 | M22520/1-01 | MS22520/1-02      | No. 12       |

Crimp/Insertion/Removal tools are listed only for reference, tools are procured from tool manufacture or authorized distributor.



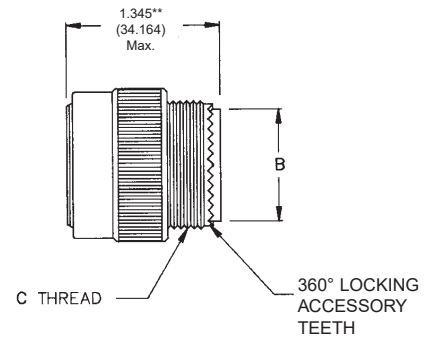
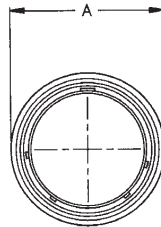
## Self-Locking Plug Connectors

### Ordering Information



### Threaded Coupling

CN0966XXXXXXXXX  
 BACC63BP<sup>1</sup>



| Size | A<br>±0.005 (0.127) |        | B<br>Maximum Diameter |        | C<br>Thread |
|------|---------------------|--------|-----------------------|--------|-------------|
|      | in                  | mm     | in                    | mm     | UNEF-2A     |
| 8    | 0.835               | 21.209 | 0.306                 | 7.773  | 0.500-20    |
| 10   | 0.972               | 23.698 | 0.371                 | 9.423  | 0.625-24    |
| 12   | 1.165               | 27.254 | 0.547                 | 13.894 | 0.750-20    |
| 14   | 1.230               | 30.124 | 0.613                 | 15.570 | 0.875-20    |
| 16   | 1.355               | 33.198 | 0.758                 | 19.253 | 1.000-20    |
| 18   | 1.470               | 34.798 | 0.865                 | 21.971 | 1.0625-18   |
| 20   | 1.607               | 38.100 | 0.986                 | 25.044 | 1.1875-18   |
| 22   | 1.735               | 41.148 | 1.106                 | 28.092 | 1.3125-18   |
| 24   | 1.858               | 44.069 | 1.235                 | 31.369 | 1.4375-18   |
| 28   | 2.113               | 52.070 | 1.485                 | 37.719 | 1.750-18*   |

**NOTES:**

<sup>1</sup> For modifications, classes, etc. not listed, consult factory

\* Th'd: UNS-2A

\*\* Size 28 = 1.395 (35.434)

\* Former order code - 100 designated rhodium plated contacts

## Vibration-Resistant Receptacle

### Ordering Information

**CN0967 C 10 S 05 P N - 000**

**Series Designation**

**Series Modification**

C = Square-flange mount  
G = Square-flange with clinch nuts

**Shell Size**

8, 10, 12, 14, 16, 18, 20, 22, 24, 26, 28

**Class**

A = Anodized aluminum  
G = Cadmium/nickel-plated aluminum  
K = Stainless steel flame resistant  
N = Electroless nickel-plated aluminum  
S = Stainless steel

**Order Code**

000 = Less contacts  
100 = \*See below  
200 = With gold-plated contact

**Alternate Shell Positions**

N, 6, 7, 8, 9, 10  
See table 4, table 1

**Contact Style**

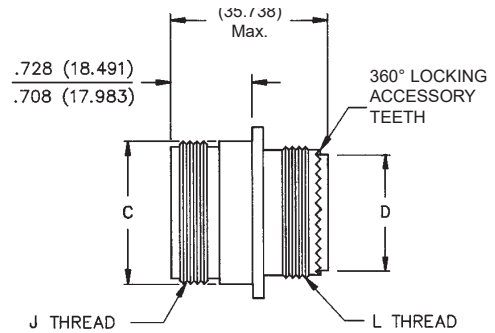
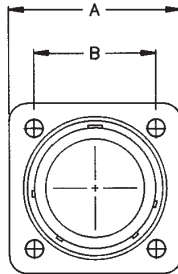
P = Pin  
S = Socket

**Insert Arrangements**

See page 5

### Threaded Coupling

CN0967XXXXXXXXX  
BACC63BV<sup>1</sup>



| Size | A<br>±0.0045 (0.114) |        | B<br>±0.005 (0.127) |        | C<br>Maximum |        | D<br>Maximum |        | J<br>Thread<br>UNEF-2A | L<br>Thread<br>UNEF-2A |
|------|----------------------|--------|---------------------|--------|--------------|--------|--------------|--------|------------------------|------------------------|
|      | in                   | mm     | in                  | mm     | in           | mm     | in           | mm     |                        |                        |
| 8    | 0.812                | 20.625 | 0.594               | 15.088 | 0.561        | 14.250 | 0.328        | 8.331  | 0.5265-24              | 0.5000-20              |
| 10   | 0.937                | 23.800 | 0.719               | 18.263 | 0.696        | 14.250 | 0.371        | 9.423  | 0.6875-24              | 0.6250-24              |
| 12   | 1.031                | 26.187 | 0.812               | 20.625 | 0.875        | 17.679 | 0.547        | 13.894 | 0.8750-20              | 0.7500-20              |
| 14   | 1.125                | 28.575 | 0.906               | 23.012 | 0.935        | 22.225 | 0.609        | 15.469 | 0.9375-20              | 0.8750-20              |
| 16   | 1.250                | 31.750 | 0.969               | 24.613 | 1.062        | 23.749 | 0.758        | 19.253 | 1.0625-18              | 1.0000-20              |
| 18   | 1.343                | 34.112 | 1.062               | 26.975 | 1.187        | 30.150 | 0.865        | 21.971 | 1.875-18               | 1.0625-18              |
| 20   | 1.437                | 36.500 | 1.156               | 29.362 | 1.312        | 33.325 | 0.986        | 25.044 | 1.3125-18              | 1.1875-18              |
| 22   | 1.562                | 39.675 | 1.250               | 31.750 | 1.437        | 36.500 | 1.106        | 28.092 | 1.4375-18              | 1.3125-18              |
| 24   | 1.703                | 43.256 | 1.375               | 34.925 | 1.562        | 39.675 | 1.235        | 31.369 | 1.5625-18              | 1.4375-18              |
| 28   | 2.000                | 50.800 | 1.562               | 39.675 | 1.810        | 45.976 | 1.485        | 37.719 | 1.8125-16              | 1.750-18*              |

**NOTES:**

<sup>1</sup> For modifications, classes, etc., not listed, consult factory

• For mounting hole dimensions, see page 21

\* Th'd: UNS-2A

\*\*Size 28 = 1.457 (37.008)

\* Former order code - 100 designated rhodium plated contacts

## Vibration-Proof Plug Connector

### Ordering Information

**CN1020 A 10 G 05 P N - 000**

**Series Designation**

**Series Modification**

A = Standard plug

**Shell Size**

8, 10, 12, 14, 16, 18, 20, 22, 24, 26, 28

**Class**

A = Anodized aluminum  
G = Cadmium/nickel-plated aluminum

**Order Code**

000 = Less contacts  
100 = \*See below  
200 = With gold-plated contact

**Alternate Shell Positions**

N, 6, 7, 8, 9, 10  
See page 4, table 1

**Contact Style**

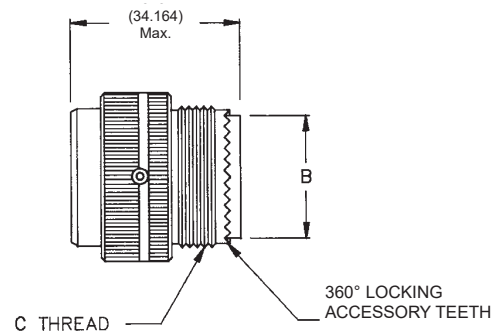
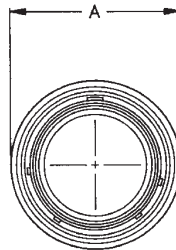
P = Pin  
S = Socket

**Insert Arrangements**

See page 5

### Bayonet Coupling

CN1020-XXXXXXXX  
BACC63CB1



| Size | A<br>±0.005 (0.127) |        | B<br>Maximum Diameter |        | C<br>Thread |
|------|---------------------|--------|-----------------------|--------|-------------|
|      | in                  | mm     | in                    | mm     | UNEF-2A     |
| 8    | 0.765               | 19.447 | 0.306                 | 7.773  | 0.500-20    |
| 10   | 0.967               | 24.561 | 0.371                 | 9.423  | 0.625-24    |
| 12   | 1.078               | 27.381 | 0.547                 | 13.894 | 0.750-20    |
| 14   | 1.187               | 30.149 | 0.613                 | 15.570 | 0.875-20    |
| 16   | 1.309               | 33.248 | 0.758                 | 19.253 | 1.000-20    |
| 18   | 1.375               | 34.925 | 0.865                 | 21.971 | 1.0625-18   |
| 20   | 1.505               | 38.227 | 0.986                 | 25.044 | 1.1875-18   |
| 22   | 1.625               | 41.275 | 1.106                 | 28.092 | 1.3125-18   |
| 24   | 1.755               | 44.577 | 1.235                 | 31.369 | 1.4375-18   |
| 28   | 2.161               | 54.889 | 1.485                 | 37.719 | 1.750-18*   |

**NOTES:**

- <sup>1</sup> For modifications, classes, etc., not listed, consult factory
- For mounting hole dimensions, see page 21
- \* Th'd: UNS-2A
- \*\*Size 28 = 1.395 (35.434)
- \* Former order code - 100 designated rhodium plated contacts

## Vibration-Resistant Receptacle

### Ordering Information

**CN1021 A 10 G 05 P N - 000**

**Series Designation**

**Series Modification**

A = Square-flange mount  
C = Square-flange with clinch nuts

**Shell Size**

8, 10, 12, 14, 16, 18, 20, 22, 24, 26, 28

**Class**

A = Anodized aluminum  
G = Cadmium/nickel-plated aluminum

**Order Code**

000 = Less contacts  
100 = \*See below  
200 = With gold-plated contact

**Alternate Shell Positions**

N, 6, 7, 8, 9, 10  
See page 4, table 1

**Contact Style**

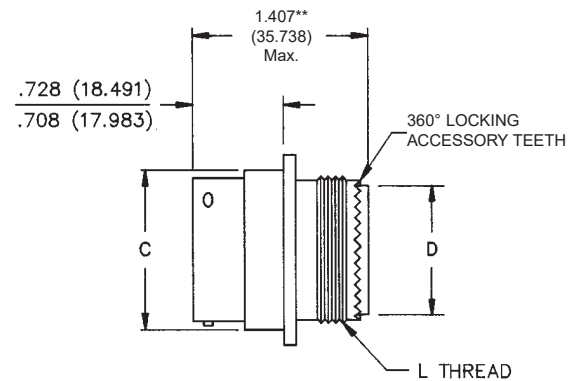
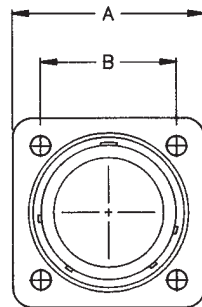
P = Pin  
S = Socket

**Insert Arrangements**

See page 5

### Bayonet Coupling

CN1021XXXXXXXXX  
BACC63CC<sup>1</sup>



| Size | A<br>±0.0045 (0.114) |        | B<br>±0.005 (0.127) |        | C<br>Maximum |        | D<br>Maximum Diameter |        | L<br>Thread |
|------|----------------------|--------|---------------------|--------|--------------|--------|-----------------------|--------|-------------|
|      | in                   | mm     | in                  | mm     | in           | mm     | in                    | mm     | UNEF-2A     |
| 8    | 0.812                | 20.625 | 0.594               | 15.088 | 0.561        | 14.250 | 0.328                 | 8.331  | 0.500-20    |
| 10   | 0.937                | 23.800 | 0.719               | 18.263 | 0.696        | 14.250 | 0.371                 | 9.423  | 0.625-24    |
| 12   | 1.031                | 26.187 | 0.812               | 20.625 | 0.875        | 17.679 | 0.547                 | 13.894 | 0.750-20    |
| 14   | 1.125                | 28.575 | 0.906               | 23.012 | 0.935        | 22.225 | 0.609                 | 15.469 | 0.875-20    |
| 16   | 1.250                | 31.750 | 0.969               | 24.613 | 1.062        | 23.749 | 0.758                 | 19.253 | 1.000-20    |
| 18   | 1.343                | 34.112 | 1.062               | 26.975 | 1.187        | 30.150 | 0.865                 | 21.971 | 1.0625-18   |
| 20   | 1.437                | 36.500 | 1.156               | 29.362 | 1.312        | 33.325 | 0.986                 | 25.044 | 1.1875-18   |
| 22   | 1.562                | 39.675 | 1.250               | 31.750 | 1.437        | 36.500 | 1.106                 | 28.092 | 1.3125-18   |
| 24   | 1.703                | 43.256 | 1.375               | 34.925 | 1.562        | 39.675 | 1.235                 | 31.369 | 1.4375-18   |
| 28   | 2.000                | 50.800 | 1.562               | 39.675 | 1.810        | 45.976 | 1.485                 | 37.719 | 1.750-18*   |

**NOTES:**

<sup>1</sup> For modifications, classes, etc., not listed, consult factory  
 • For mounting hole dimensions, see page 21  
 \* Th'd: UNS-2A  
 \*\*Size 28 = 1.457 (37.008)  
 \* Former order code - 100 designated rhodium plated contacts

## Vibration-Proof Plug Connector

### Ordering Information

**C0909A 10 - 05 P 8 - XXX**

**Series Designation**

**Shell Size**

8, 10, 12, 14, 16, 18, 20, 22, 24

**Class**

(Dash) = Anodized aluminum  
 E = Cadmium/nickel-plated aluminum  
 N = Nickel-plated aluminum

**Order Code**

202 = with gold-plated contacts\*  
 106 = Less contacts

**Alternate Shell Positions**

N, 6, 7, 8, 9, 10  
 See page 4, table 1

**Contact Style**

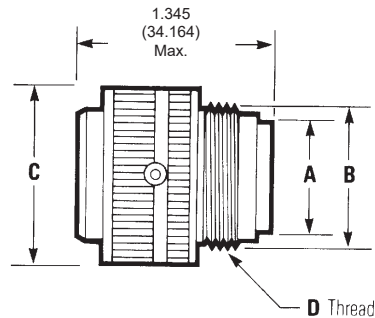
P = Pin  
 S = Socket

**Insert Arrangements**

See page 5

### Bayonet Coupling

CN909AXXXXXXX  
 BACC63BN<sup>1</sup>



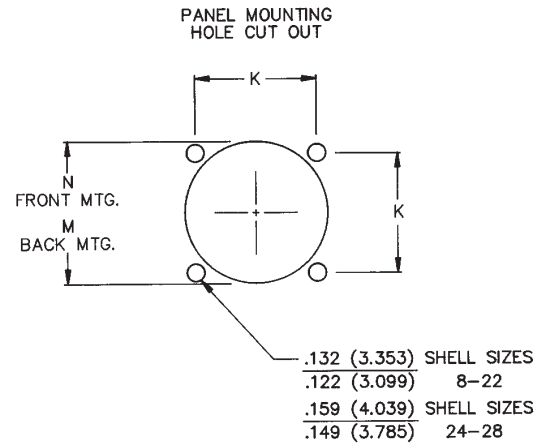
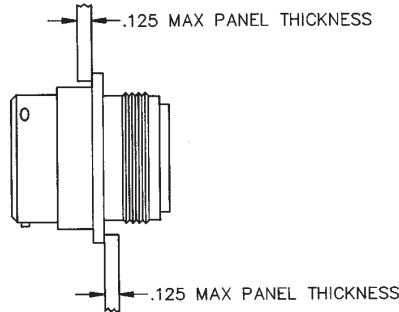
| Size | A<br>Diameter |        | B<br>Diameter |        | C<br>Maximum |        | D<br>Thread |
|------|---------------|--------|---------------|--------|--------------|--------|-------------|
|      | in            | mm     | in            | mm     | in           | mm     | UNEF-2A     |
| 8    | 0.328         | 8.331  | 0.437         | 11.100 | 0.766        | 19.456 | 0.437-28    |
| 10   | 0.420         | 10.668 | 0.562         | 14.275 | 0.906        | 23.012 | 0.562-24    |
| 12   | 0.580         | 14.732 | 0.750         | 19.050 | 1.078        | 27.381 | 0.750-20    |
| 14   | 0.664         | 16.866 | 0.812         | 20.625 | 1.141        | 28.981 | 0.812-20    |
| 16   | 0.769         | 19.533 | 0.938         | 23.825 | 1.266        | 32.156 | 0.937-20    |
| 18   | 0.902         | 22.911 | 1.062         | 26.975 | 1.375        | 34.925 | 1.062-18    |
| 20   | 1.033         | 26.238 | 1.182         | 30.023 | 1.510        | 38.354 | 1.187-18    |
| 22   | 1.152         | 29.261 | 1.312         | 33.325 | 1.625        | 41.275 | 1.312-18    |
| 24   | 1.282         | 32.253 | 1.432         | 36.373 | 1.760        | 44.704 | 1.437-18    |

**NOTES:**

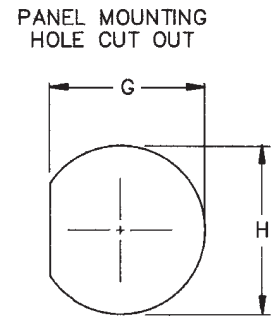
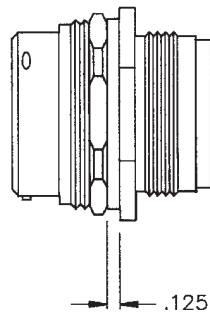
<sup>1</sup> For deviations, classes, etc. not listed, consult factory  
 \* Former order code - 102 designated rhodium plated contacts

## Mounting Panel Data

### Square-Flange Mount



### Single-Hole Mount (Jam-Nut Mount)



| Size | M Minimum |        | N Minimum |        | G ±0.005 (0.127) |        | H ±0.005 (0.127) |        | K ±0.005 (0.127) |        |
|------|-----------|--------|-----------|--------|------------------|--------|------------------|--------|------------------|--------|
|      | in        | mm     | in        | mm     | in               | mm     | in               | mm     | in               | mm     |
| 8    | 0.620     | 15.748 | 0.447     | 11.354 | 0.605            | 15.638 | 0.635            | 16.129 | 0.594            | 15.088 |
| 10   | 0.748     | 18.999 | 0.572     | 14.529 | 0.730            | 18.542 | 0.760            | 19.304 | 0.719            | 18.263 |
| 12   | 0.913     | 23.190 | 0.760     | 19.304 | 0.917            | 23.292 | 0.947            | 24.054 | 0.812            | 20.625 |
| 14   | 0.980     | 24.892 | 0.822     | 20.879 | 0.980            | 24.892 | 1.010            | 25.654 | 0.906            | 23.013 |
| 16   | 1.107     | 28.119 | 0.948     | 24.079 | 1.105            | 28.067 | 1.135            | 28.829 | 0.969            | 24.613 |
| 18   | 1.209     | 30.709 | 1.072     | 27.229 | 1.225            | 31.115 | 1.260            | 32.004 | 1.062            | 26.975 |
| 20   | 1.337     | 33.906 | 1.192     | 30.277 | 1.350            | 34.290 | 1.385            | 35.179 | 1.156            | 29.363 |
| 22   | 1.452     | 36.881 | 1.322     | 33.579 | 1.475            | 37.465 | 1.510            | 38.354 | 1.250            | 31.750 |
| 24   | 1.577     | 40.056 | 1.442     | 36.627 | 1.600            | 40.640 | 1.635            | 41.529 | 1.375            | 34.925 |
| 28   | 1.827     | 46.406 | 1.760     | 44.704 | 1.856            | 47.143 | 1.885            | 47.879 | 1.562            | 39.675 |

### Recommended Minimum Torque for Jam Nut

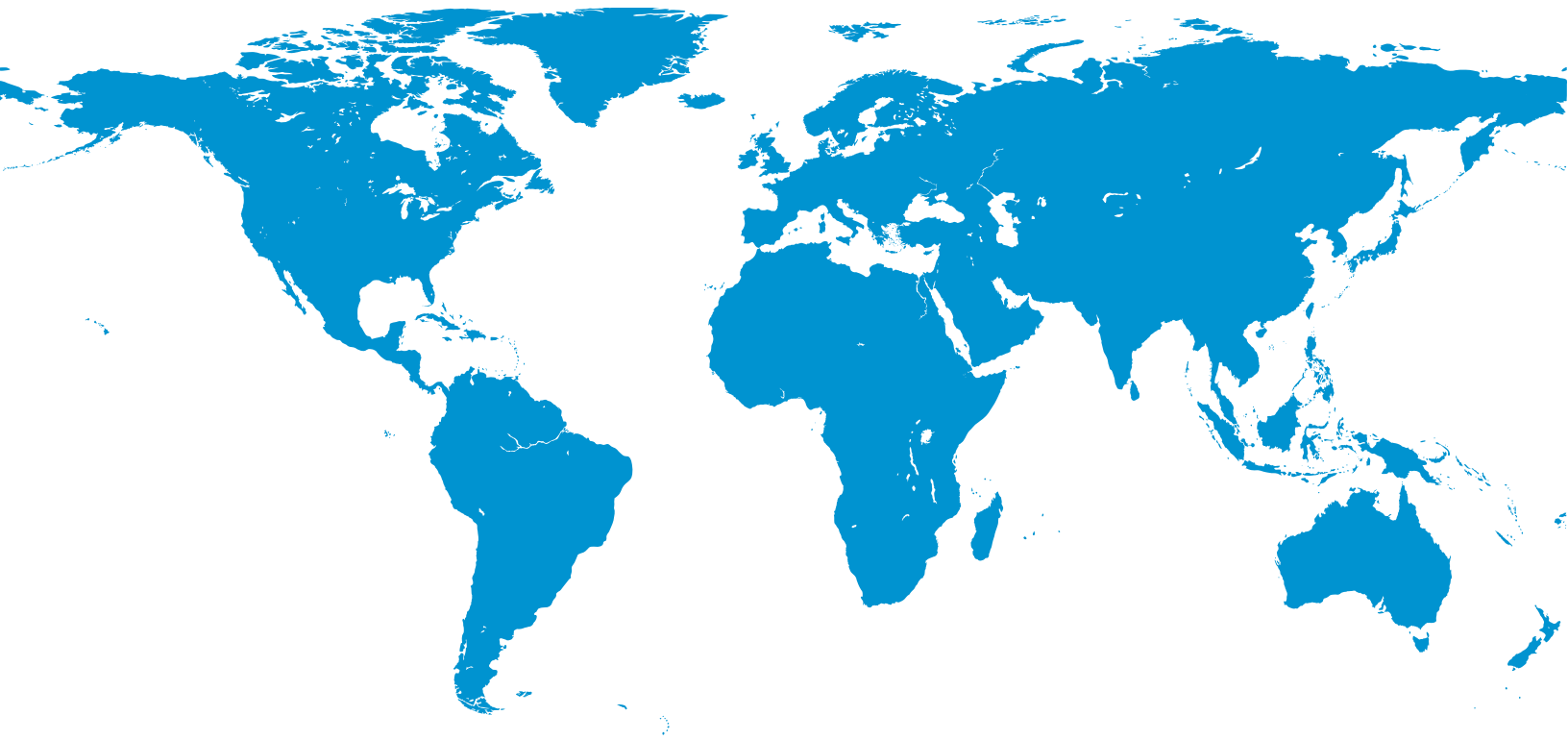
| Shell Size       | 8  | 10 | 12 | 14   | 16 | 18 | 20  | 22    | 24  |
|------------------|----|----|----|------|----|----|-----|-------|-----|
| Torque (inch/lb) | 28 | 36 | 56 | 64.5 | 69 | 81 | 102 | 122.5 | 144 |



## About Cinch Connectivity Solutions

For over 100 years, Cinch Connectivity Solutions has manufactured high-quality and reliable high-performance connectors and cable assemblies. Cinch is recognized as a world class connectivity supplier of RF, fiber optic, hybrid, microwave components, circular, d-subminiatures, modular rectangular, electronic enclosures and cable assemblies.

Cinch provides innovative solutions to the military, commercial aerospace, networking, telecommunication, test and measurement, oil and gas and other harsh environment industries.



### For more information, please contact us:

North America  
+1 507.833.8822  
ccsorders@us.cinch.com

Asia-Pacific  
+86 21 5442 7668  
ccs.asia.sales@as.cinch.com

Europe, Middle East  
+44 (0) 1245 342060  
CinchConnectivity@eu.cinch.com



[belfuse.com/cinch.com](http://belfuse.com/cinch.com)